

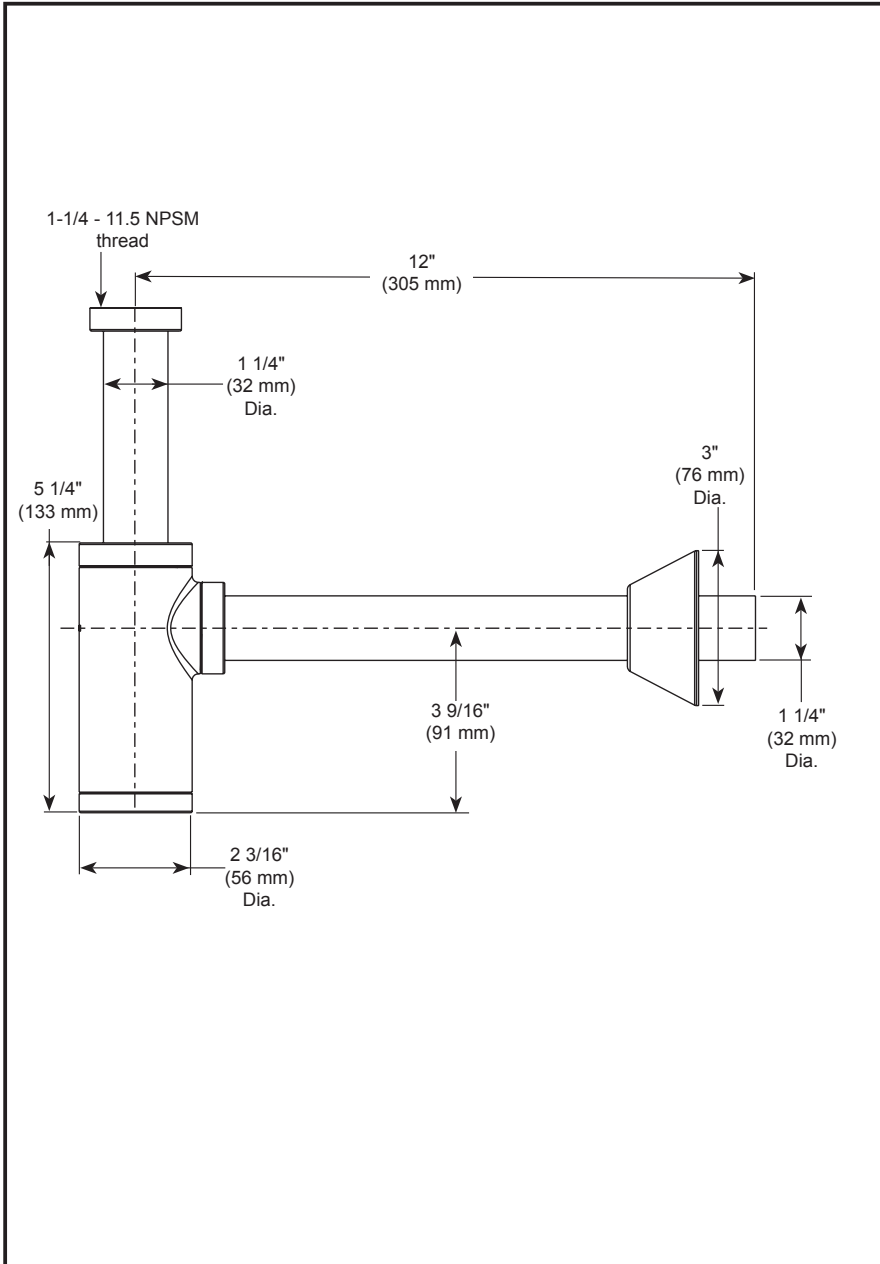
# BRIZO®

## ACCESSORIES

### ■ Bottle-Trap

#### STANDARD SPECIFICATIONS:

- Finished to match Brizo products
- Brass construction
- 12" straight arm
- Escutcheon included
- Removable cleanout cover
- Optional extension RP103667▲ for compression slip fitting installation compatible with 1-1/4" diameter drain tailpieces.



▲ Designate proper finish suffix

Brizo Kitchen & Bath Company reserves the right (1) to make changes in specifications and materials, and (2) to change or discontinue models, both without notice or obligation. Dimensions are for reference only. See current full-line price book or [www.brizo.com](http://www.brizo.com) for finish options and product availability.

BSP-A-BT041142 Rev. B

#### WARRANTY

- Parts and Finish - Lifetime limited warranty; or for commercial purchasers, 10 years for multi-family residential (apartments and condominiums) and 5 years for all other commercial uses, in each case from the date of purchase.
- Electronic Parts and Batteries (if applicable) - 5 years from the date of purchase; or for commercial purchasers, 1 year from the date of purchase. No warranty is provided on batteries.

#### COMPLIES WITH:

- ASME A112.18.2 / CSA B125.2

**Brizo Kitchen & Bath Company**  
 55 E. 111th Street, Indianapolis, Indiana 46280  
 350 South Edgeware Road, St. Thomas, ON N5P 4L1  
 © 2024 Brizo Kitchen & Bath Company