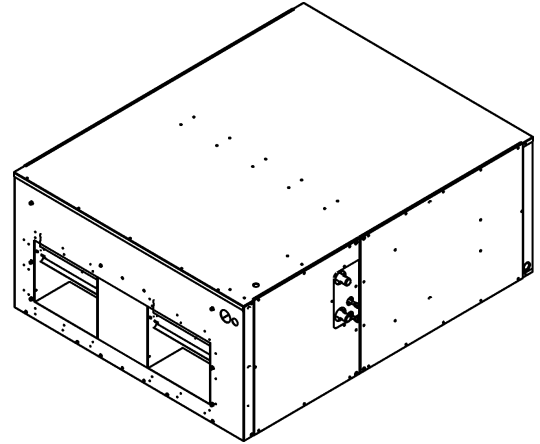


DAX Commercial 2-Speed Air Handler

DAX09043AA
DAX09044AA
DAX12043AA
DAX12044AA



This manual is to be used by qualified technicians only.

Important Information

Index

Functional Parts List	3
Illustration and Parts	4 - 9

Views shown are for parts illustrations only, not servicing procedures.

Text Codes:

AR - As Required

NA - Not Available

NS - Not Shown

00000000 - See Note

QTY - Quantity Example (QTY 3) (If Quantity not shown, Quantity = 1)

M - Model Example (M1) (If M Code not shown, then part is used on all Models)

Expanded Model Nomenclature:

Example M1 - Model#1 M2 - Model#2 M3 - Model#3

Daikin Comfort Technologies Manufacturing , L.P. is not responsible for personal injury or property damage resulting from improper service. Review all service information before beginning repairs.

Warranty service must be performed by an authorized technician, using authorized factory parts. If service is required after the warranty expires, Daikin Comfort Technologies Manufacturing , L.P. also recommends contacting an authorized technician and using authorized factory parts.

Daikin Comfort Technologies Manufacturing , L.P. reserves the right to discontinue, or change at any time, specifications or designs without notice or without incurring obligations.

For assistance within the U.S.A. contact:
Homeowner Support
Daikin Comfort Technologies Manufacturing , L.P.
19001 Kermier Road
Waller, Texas 77484
855-770-5678-Telephone
713-863-2382-Facsimile

For assistance outside the U.S.A. contact:
International Division
Daikin Comfort Technologies Manufacturing , L.P.
19001 Kermier Road
Waller, Texas 77484
713-861-2500-Telephone
713-863-2382-Facsimile

Functional Parts

Part

No: Description:

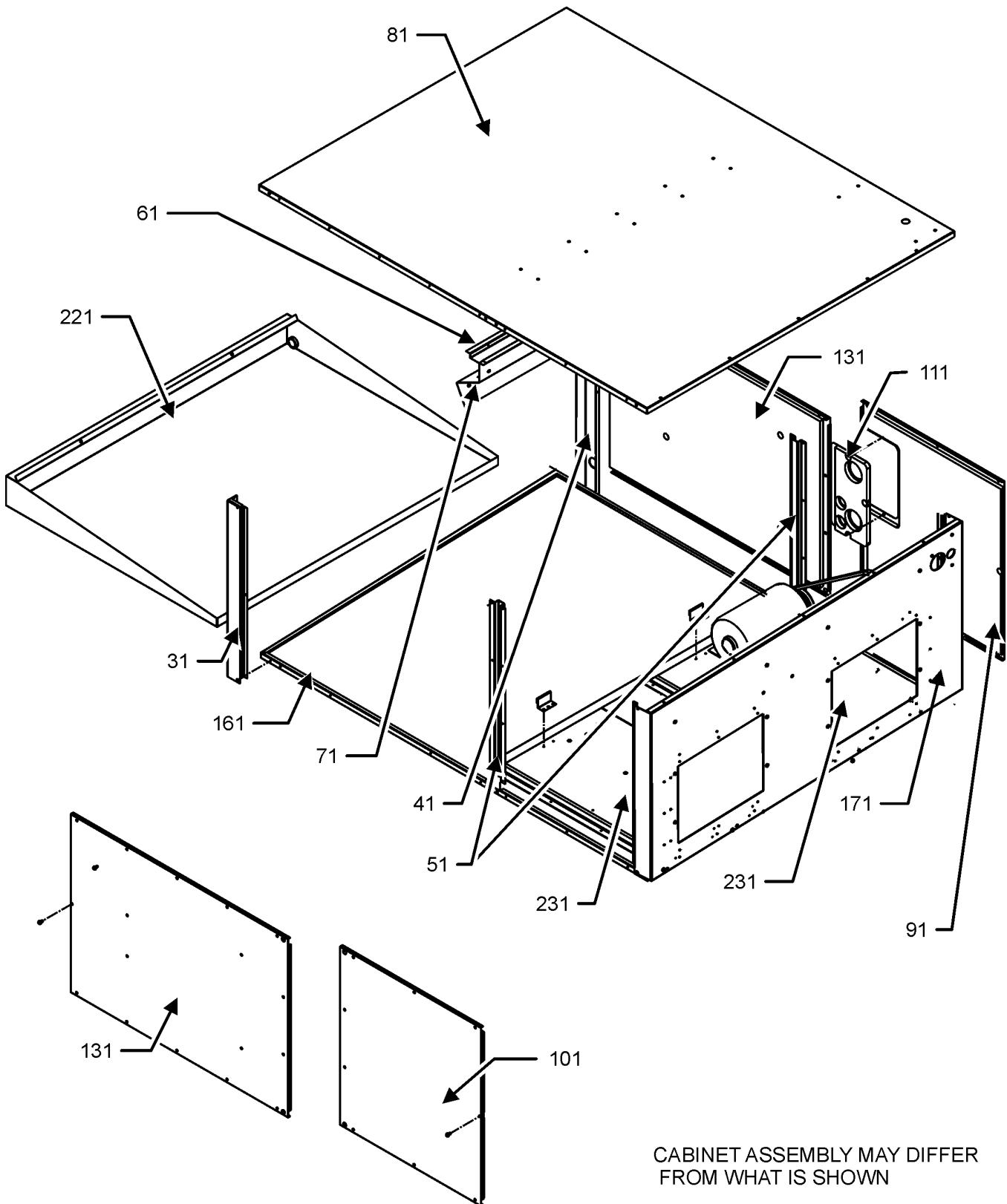
0251R00013	ASSY TXV FLOWRATOR (QTY 4)
CONT3P025024V	CONTACTOR 25 AMP, 3P, 24V
0131A00043	MOTOR, PROGRAM LH (M2)
0131A00041	MOTOR, PROGRAM LH (M4)
0131A00039	MOTOR, PROGRAM LH (M3)
0131A00037	MOTOR, PROGRAM LH (M1)
0131A00044	MOTOR, PROGRAM RH (M2)
0131A00042	MOTOR, PROGRAM RH (M4)
0131A00040	MOTOR, PROGRAM RH (M3)
0131A00038	MOTOR, PROGRAM RH (M1)
10135604	RELAY (QTY 2)
B1256551	SEQUENCER A-5KW
0130M00594	TRANSFORMER

Expanded Model Nomenclature

M1 - DAX09043AA
M2 - DAX09044AA
M3 - DAX12043AA
M4 - DAX12044AA

CABINET ASSEMBLY

CABINET ASSEMBLY



CABINET ASSEMBLY

Ref. Part No:	No:	Description:	Ref. Part No:	No:	Description:
---------------	-----	--------------	---------------	-----	--------------

Image 1:

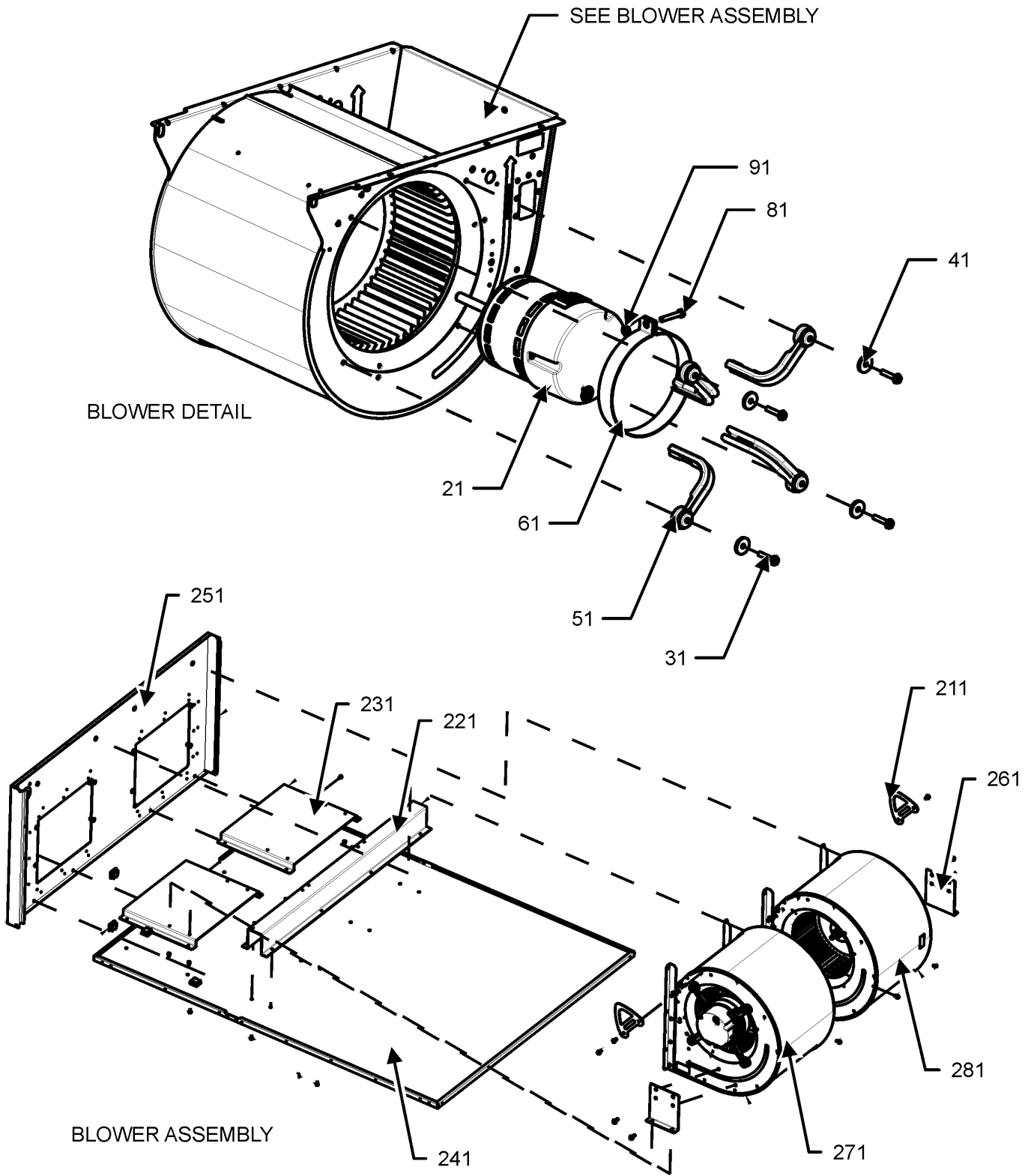
31	2122002F	REAR CORNER PANEL
41	2122003F	FRONT CORNER PANEL
51	0121A01375	POST SUPPORT (QTY 2)
61	2155717F	DUCT FLANGE (QTY 2)
71	2155718F	DUCT ANGLE (QTY 2)
81	0270A01854	RIGHT SIDE PANEL INSUL ASSY
91	0270A01855	UPPER ACCESS PANEL ASM
101	2190005F	REAR PANEL INSUL. ASM.
111	2190006F	BLOCK-OFF PANEL INSUL. ASM.
131	2190003F	LOWER ACCESS PANEL (QTY 2)
161	0270A01838	LEFT SIDE PANEL INSUL. ASM
171	0270A01680	TOP PANEL INSUL. ASM
221	2133604FPDG	DRAIN PAN ASM W/PAINT
231	0121A01744	SUPPORT PLATE (QTY 2)
NS	0160L00136	AIR FILTER (QTY 2)
NS	0160L00174	AIR FILTER (QTY 2)
NS	0121A01619	DRAIN PAN SUPPORT BRACKET

Expanded Model Nomenclature

M1 - DAX09043AA
M2 - DAX09044AA
M3 - DAX12043AA
M4 - DAX12044AA

BLOWER ASSEMBLY

BLOWER ASSEMBLY



BLOWER ASSEMBLY MAY DIFFER FROM WHAT IS SHOWN

BLOWER ASSEMBLY

Ref. Part No:	No:	Description:	Ref. Part No:	No:	Description:
---------------	-----	--------------	---------------	-----	--------------

Image 1:

21	0131A00037	MOTOR, PROGRAM LH (M1)
21	0131A00039	MOTOR, PROGRAM LH (M3)
21	0131A00041	MOTOR, PROGRAM LH (M4)
21	0131A00043	MOTOR, PROGRAM LH (M2)
21	0131A00038	MOTOR, PROGRAM RH (M1)
21	0131A00040	MOTOR, PROGRAM RH (M3)
21	0131A00042	MOTOR, PROGRAM RH (M4)
21	0131A00044	MOTOR, PROGRAM RH (M2)
31	M0250565	SCREW TC 1.25 (QTY 4)
41	B1392918	WASHER FLAT 1/4 IS X 1 OD (QTY 4)
51	0163A00008	MOTOR MOUNTING ARM (QTY 4)
61	10441601	BAND-MTR MOUNT
81	M0267144	SCREW MACH
91	M0282015	NUTS KEPS
211	0121A01621	ASSY BLOWER LIFTING BRACKET (QTY 2)
221	0121A01619	DRAINPAN SUPPORT BRACKET
231	0121A01744	PLATE SUPPORT (QTY 2)
241	0270A01838	LEFT SIDE PANEL INSUL. ASM
251	0270A01680	TOP PANEL INSUL. ASM
261	0121A01512	SUPPORT BLOWER (QTY 2)
271	0271A00506	ASSY BLOWER HOUSING
281	0271A00509	ASSY BLOWER HOUSING

Expanded Model Nomenclature

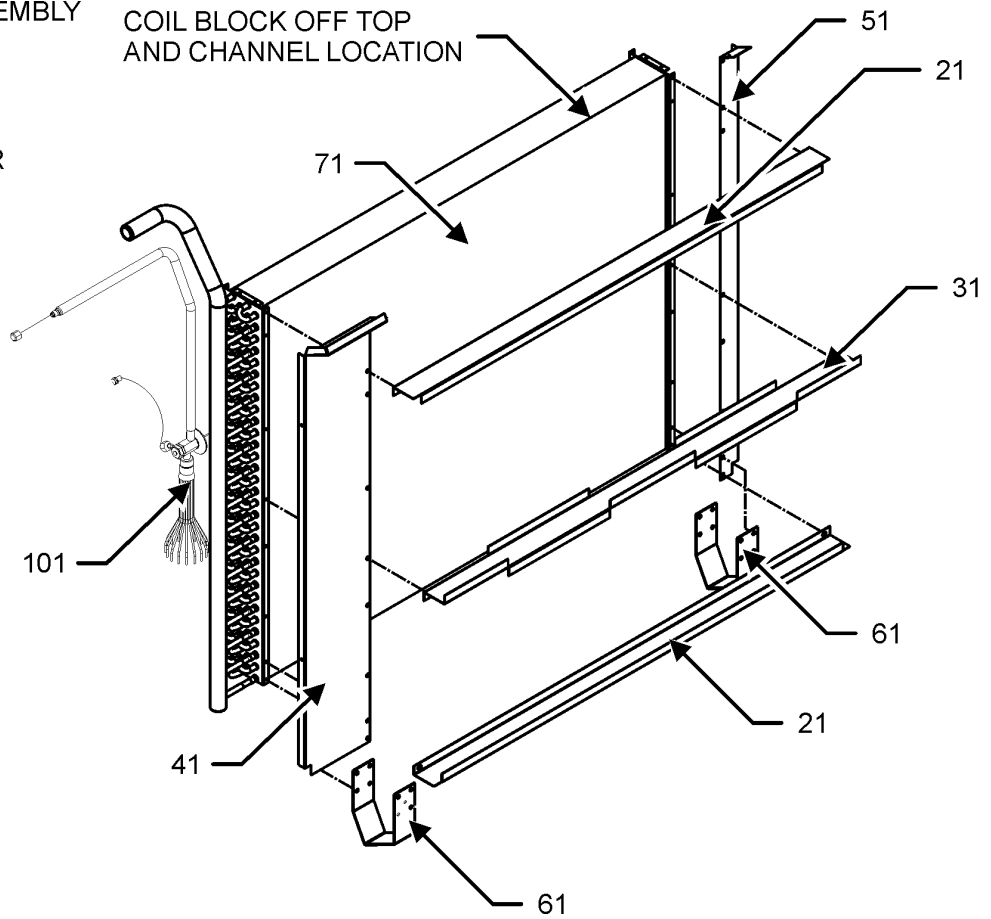
M1 - DAX09043AA
M2 - DAX09044AA
M3 - DAX12043AA
M4 - DAX12044AA

EVAPORATOR COIL AND CONTROL BOX ASSEMBLY

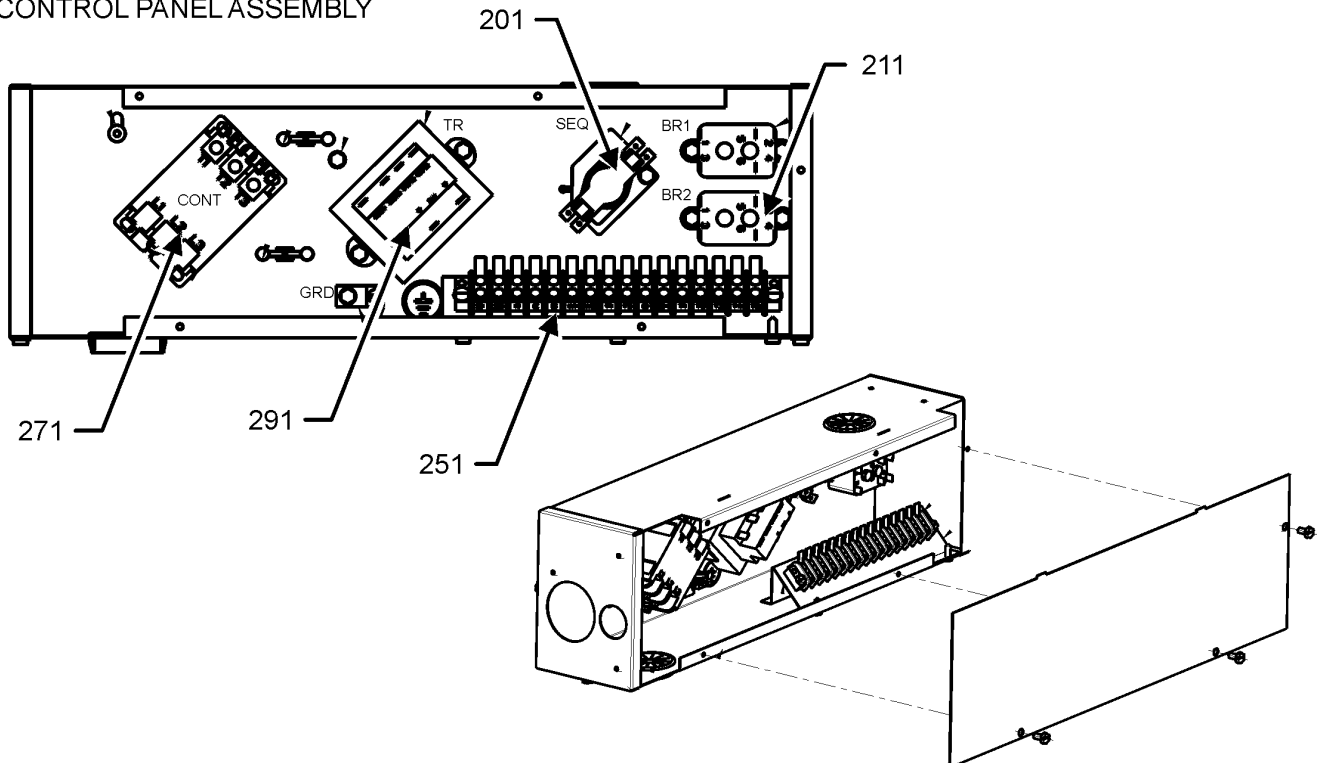
EVAPORATOR COIL ASSEMBLY

COIL BLOCK OFF TOP AND CHANNEL LOCATION

EVAPORATOR COIL ASSEMBLY MAY DIFFER FROM WHAT IS SHOWN



CONTROL PANEL ASSEMBLY



CONTROL PANEL ASSEMBLY MAY DIFFER FROM WHAT IS SHOWN

EVAPORATOR COIL AND CONTROL BOX ASSEMBLY

Ref. Part No:	Ref. Part No:	Description:	Description:
---------------	---------------	--------------	--------------

Image 1:

21	0121A01726	BRACKET FILTER SUPPORT (QTY 2)
31	0121A01625	FILTER SUPPORT
41	0121A01725	BRKT COIL BLOCKOFF
51	0121A01727	BRACKET BLOCKOFF
61	0121A01729	COIL BRACE (QTY 2)
71	0202A00646	ASSY COIL MANIFOLD
101	0251R00013	ASSY TXV FLOWRATOR (QTY 4)
201	B1256551	SEQUENCER A-5KW
211	10135604	RELAY (QTY 2)
251	0130M00038	TERMINAL BOARD
271	CONT3P025024V	CONTACTOR 25 AMP, 3P, 24V
291	0130M00594	TRANSFORMER
NS	0259L00195	6 PIN FEMALE PLUG ASSY
NS	0160L00174	AIR FILTER 16 X 20 X 2 (QTY 2)
NS	0160L00136	Air Filter 20x20x2 (QTY 2)
NS	0121A01664	BRACKET SUPPORT COIL DAX
NS	0121A01665	BRACKET SUPPORT COIL DAX
NS	0161M00025	BUSHING
NS	0163M00175	CAP W/O-RING (QTY 4)
NS	2155716F	CHANNEL
NS	0121A01666	COIL BLOCK OFF TOP
NS	B13926124	GASKET
NS	0130L00266	MOTOR CONTROL HARNESS1
NS	0130L00268	MOTOR CONTROL HARNESS2
NS	0130L00269	MOTOR POWER HARNESS1
NS	0130L00270	MOTOR POWER HARNESS2
NS	0151M00104	VALVE CORE (QTY 4)
NS	0259L01993	WIRE HARNESS ASSY
NS	0259L01996	WIRE HARNESS ASSY
NS	0259L01997	WIRE HARNESS ASSY

Expanded Model Nomenclature

M1 - DAX09043AA
M2 - DAX09044AA
M3 - DAX12043AA
M4 - DAX12044AA