

---

## DX14XA 2 Stage Remote Condensing Unit

DX14XA0903AA  
DX14XA0904AA  
DX14XA1203AA  
DX14XA1204AA



This manual is to be used by qualified technicians only.

# Important Information

---

## Index

Functional Parts List .....	3
Illustration and Parts .....	4 - 9

*Views shown are for parts illustrations only, not servicing procedures.*

### Text Codes:

AR - As Required

NA - Not Available

NS - Not Shown

00000000 - See Note

QTY - Quantity Example (QTY 3) (If Quantity not shown, Quantity = 1)

M - Model Example (M1) (If M Code not shown, then part is used on all Models)

### Expanded Model Nomenclature:

Example M1 - Model#1 M2 - Model#2 M3 - Model#3
---

Daikin Comfort Technologies Manufacturing , L.P. is not responsible for personal injury or property damage resulting from improper service. Review all service information before beginning repairs.

Warranty service must be performed by an authorized technician, using authorized factory parts. If service is required after the warranty expires, Daikin Comfort Technologies Manufacturing , L.P. also recommends contacting an authorized technician and using authorized factory parts.

Daikin Comfort Technologies Manufacturing , L.P. reserves the right to discontinue, or change at any time, specifications or designs without notice or without incurring obligations.

For assistance within the U.S.A. contact:  
Homeowner Support  
Daikin Comfort Technologies Manufacturing , L.P.  
19001 Kermier Road  
Waller, Texas 77484  
855-770-5678-Telephone  
713-863-2382-Facsimile

For assistance outside the U.S.A. contact:  
International Division  
Daikin Comfort Technologies Manufacturing , L.P.  
19001 Kermier Road  
Waller, Texas 77484  
713-861-2500-Telephone  
713-863-2382-Facsimile

# Functional Parts

## Part

**No:**                    **Description:**

---

0130M00249	AUXILLARY SWITCH
0151R00184	BALL VALVE 1 1/8"
0151R00188	BASE VALVE 5/8"
ZPS104KCETF5155	COMP, 105K 200/230/60/3/2STG (M3)
ZPS104KCETFD155	COMP, 105K, 460/60/3/2STG (M4)
ZPS83KCETFD130	COMP, 83000, 200/230/60/3/2STG (M2)
ZPS83KCETF5130	COMP, 83000, 200/230/60/3/2STG (M1)
CONT3P040024V	CONT, 3 POLE, 40 AMP, 24 VAC (M1, M2, M4)
CONT3P040024V	CONT, 3 POLE, 40AMP, 24 VAC (M1, M2, M4)
CONT3P050024V	CONT, 3 POLE, 50 AMP, 24 VAC (M3)
0130L00023	CRANK CASE HEATER 70W 240V (M1, M3)
0130L00024	CRANK CASE HEATER 70W, 480V (M2, M4)
0130M00082	LOW PRESSURE SWITCH
0131M01016	MOTOR (M2, M4)
0131M01015	MOTOR (M1, M3)
0130R00056	SW-CUTOUT HI PRESS

## SPECIAL PARTS

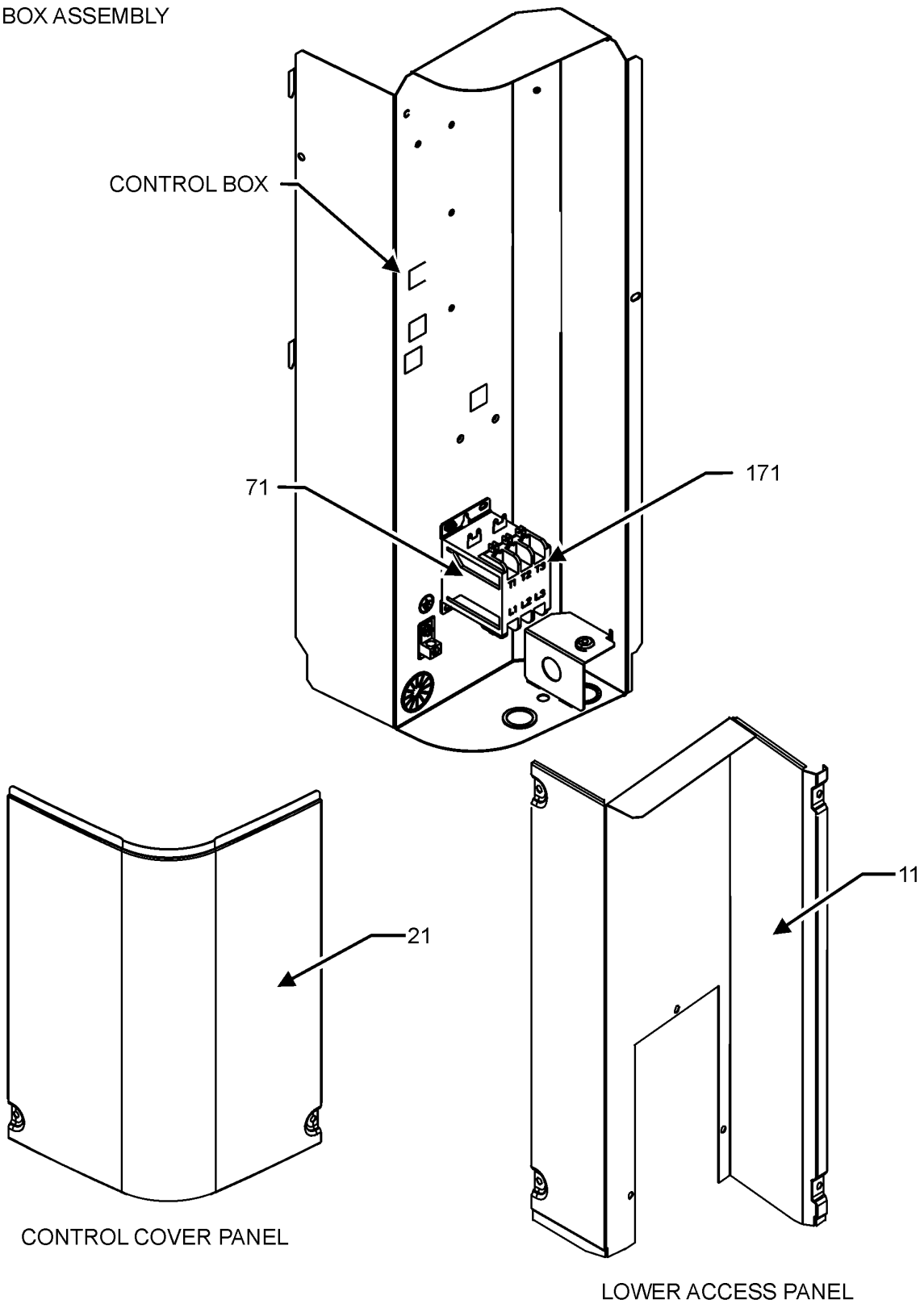
0161R00093            NAMEPLATE, DAIKIN

## Expanded Model Nomenclature

M1 - DX14XA0903AA
M2 - DX14XA0904AA
M3 - DX14XA1203AA
M4 - DX14XA1204AA

# CONTROL BOX ASSEMBLY

## CONTROL BOX ASSEMBLY



CONTROL BOX ASSEMBLY MAY DIFFER FROM WHAT IS SHOWN

# CONTROL BOX ASSEMBLY

Ref. Part No:	No:	Description:	Ref. Part No:	No:	Description:
---------------	-----	--------------	---------------	-----	--------------

---

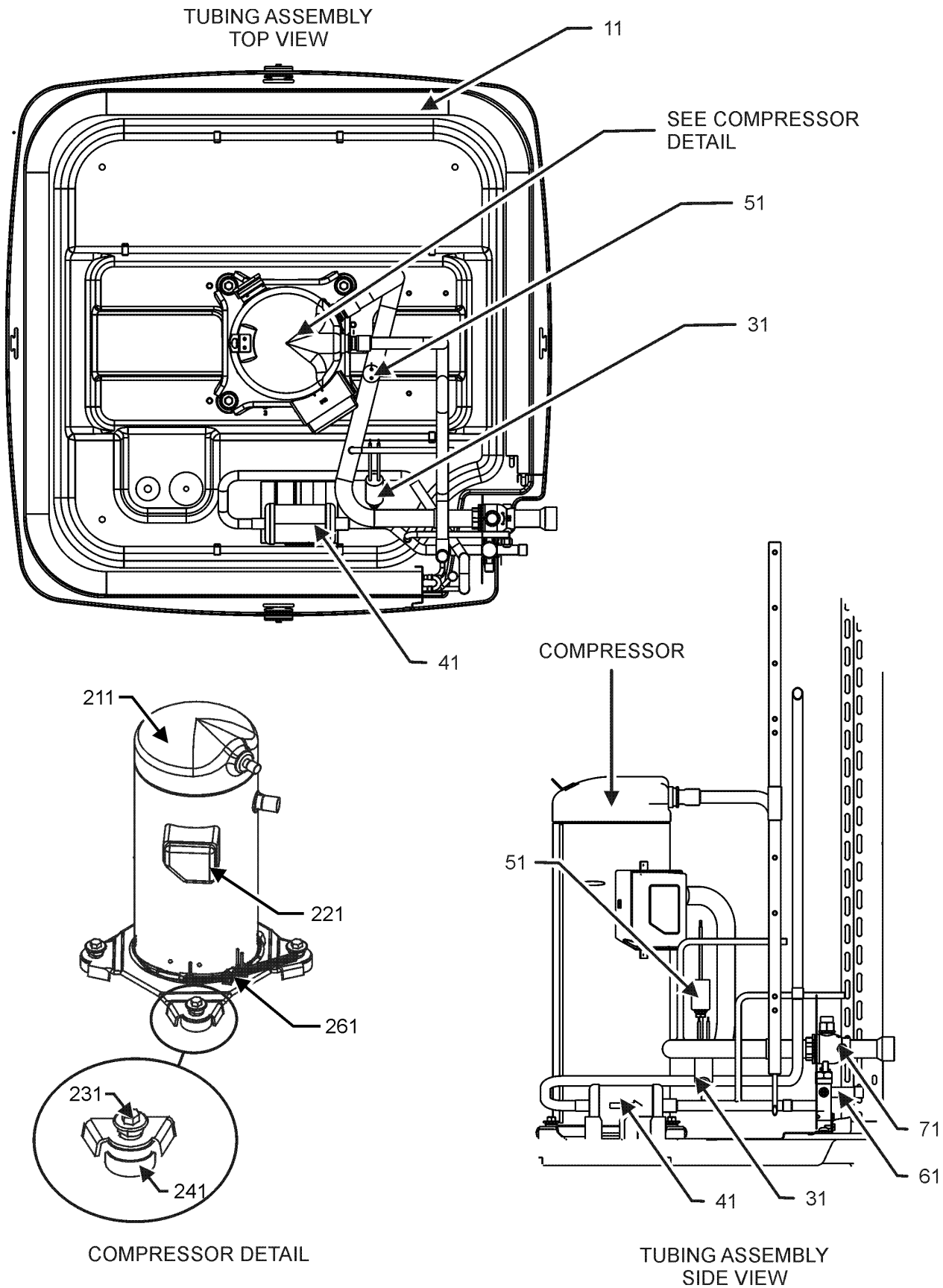
**Image 1:**

11	0121R01041PNG	PAINTED, LOWER ACCESS PANEL
21	0121R00950PNG	CONTROL COVER, LARGE PNT
71	CONT3P040024V	CONT, 3 POLE, 40 AMP, 24 VAC (M1, M2, M4)
71	CONT3P040024V	CONT, 3 POLE, 40AMP, 24 VAC (M1, M2, M4)
71	CONT3P050024V	CONT, 3 POLE, 50 AMP, 24 VAC (M3)
171	0130M00249	AUXILLARY SWITCH
NS	0161R00093	NAMEPLATE, DAIKIN

**Expanded Model Nomenclature**

- |                   |
|-------------------|
| M1 - DX14XA0903AA |
| M2 - DX14XA0904AA |
| M3 - DX14XA1203AA |
| M4 - DX14XA1204AA |

# TUBING ASSEMBLY



# TUBING ASSEMBLY

Ref. Part

No: No:

Description:

Ref. Part

No: No:

Description:

**Image 1:**

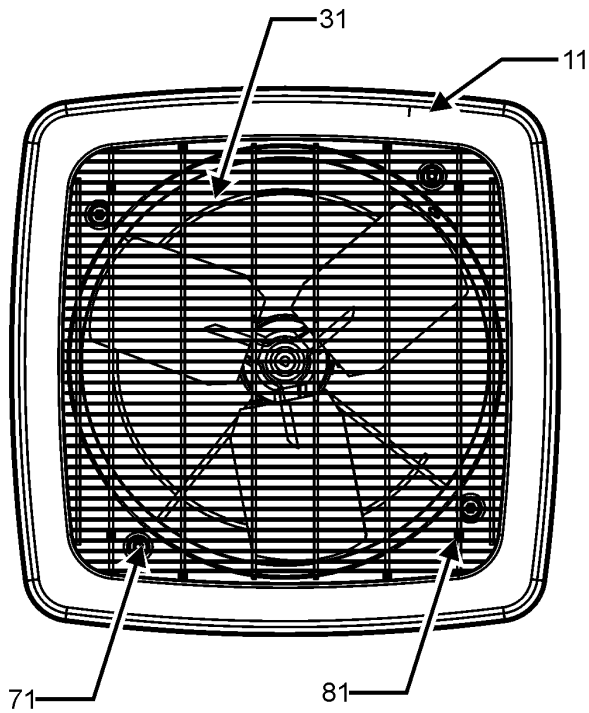
11	0121R00007PNG	BASE PAN, 35.5" PNT
31	0130R00056	SW-CUTOOUT HI PRESS
41	0162L00112	FILTER DRIER
51	0130M00082	LOW PRESSURE SWITCH
61	0151R00188	BASE VALVE 5/8"
71	0151R00184	BALL VALVE 1 1/8"
211	ZPS104KCETF5155	COMP, 105K 200/230/60/3/2STG (M3)
211	ZPS104KCETFD155	COMP, 105K, 460/60/3/2STG (M4)
211	ZPS83KCETF5130	COMP, 83000, 200/230/60/3/2STG (M1)
211	ZPS83KCETFD130	COMP, 83000, 200/230/60/3/2STG (M2)
221	0159G00003	HARNESS, COMP SCROLL (M1, M2)
221	0159L00053	HARNESS, COMP SCROLL (M4)
221	0159L00130	HARNESS, COMP SCROLL (M3)
231	B1393740	COMP BOLT & SLEEVE (QTY 4)
241	0164M00018	GROMMET, COMPRESSOR (QTY 4)
261	0130L00023	CRANK CASE HEATER 70W 240V (M1, M3)
261	0130L00024	CRANK CASE HEATER 70W, 480V (M2, M4)
NS	0159G00001	COMPRESSOR SOLENOID CABLE
NS	4400031	VALVE BRACKET

**Expanded Model Nomenclature**

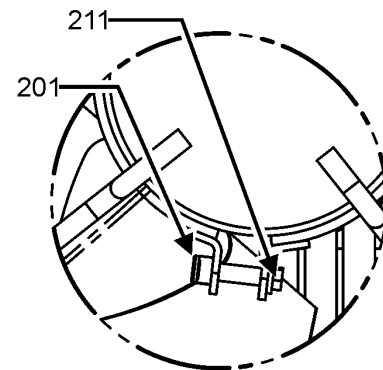
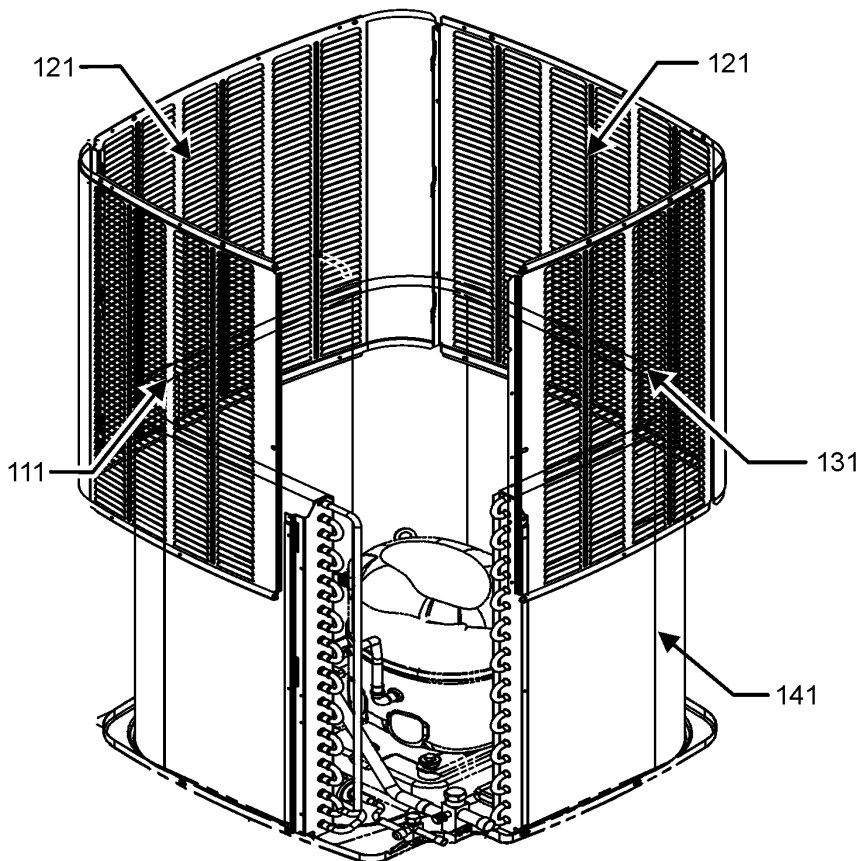
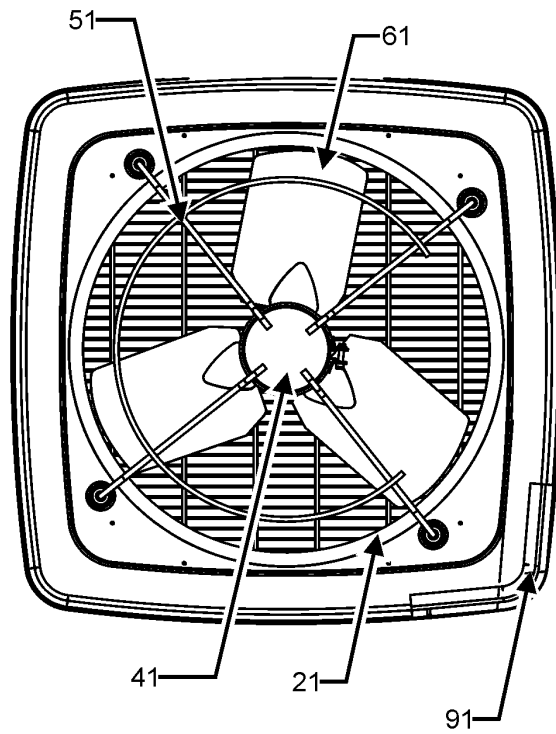
M1 - DX14XA0903AA
M2 - DX14XA0904AA
M3 - DX14XA1203AA
M4 - DX14XA1204AA

# TOP AND LOVER PANEL ASSEMBLY

TOP PANEL ASSEMBLY  
TOP VIEW



TOP PANEL ASSEMBLY  
BOTTOM VIEW



MOTOR MOUNTING  
BRACKET DETAIL

LOUVER PANEL ASSEMBLY



# TOP AND LOUVER PANEL ASSEMBLY

Ref. Part No: No:	Description:	Ref. Part No: No:	Description:
----------------------	--------------	----------------------	--------------

---

**Image 1:**

11	0121R01034PNG	PAINTED, TOP PANEL
21	0161R00105	35" VENTURI CFS
31	0152R00031	GRILLE
41	0131M01015	MOTOR (M1, M3)
41	0131M01016	MOTOR (M2, M4)
51	0121R01032	MOUNT, MOTOR
61	0150M00049	FAN BLADE, 26"
71	0163M00003P	SCREW,#10 X 1/2,A,SLOT,SR,BLK (QTY 8)
81	0163M00004	SCREW 10X3/4 BLK (QTY 4)
91	0154R00045	GASKET, CONTROL PANEL
111	0121R00601PNG	PANEL 1, LOUVER 35_39.84 PNT
121	0121R00514PNG	PANEL 2, LOUVER 35_39.84 PNT (QTY 2)
131	0121R00603PNG	PANEL 3, LOUVER 35_39.84 PNT
141	0201R00716	COIL TUBING ASSY
201	B1393804	NYLON LOCKNUT .31 - 18 (QTY 2)
211	0163M00580	SCREW HEX CAP 5/16 18X2 A307 (QTY 2)
NS	B1393024	LOCK NUT (QTY 4)

**Expanded Model Nomenclature**

M1 - DX14XA0903AA
M2 - DX14XA0904AA
M3 - DX14XA1203AA
M4 - DX14XA1204AA