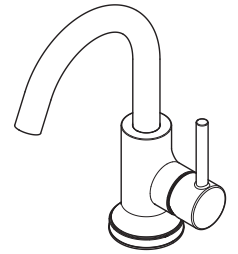


## Single Control Lavatory Faucet



- LG42-TNT2C Finish(C)
- LG42-TNT2D Finish(D)
- LG42-TNT2K Finish(K)
- LG42-TNT2B Finish(B)
- LG42-TNT2BG Finish(BG)

- 1 or 3-Hole Installation
- All Metal Construction
- Pforever Seal™

## Specifications

### Features

- 1.2 GPM Flow Rate
- All Metal Construction
- 1-Hole Installation (For 3-Hole Installation Order Deckplate)
- Optional Deckplate, Order 961-253\*
- All Metal Push & Seal™ Drain
- Mounting Hardware Included
- Fixed Hub
- Concealed Screws
- Supply Lines Not Included
- Pfaster Connect™
- Pforever Seal™ Ceramic Disc Valve
- Limited Lifetime Warranty

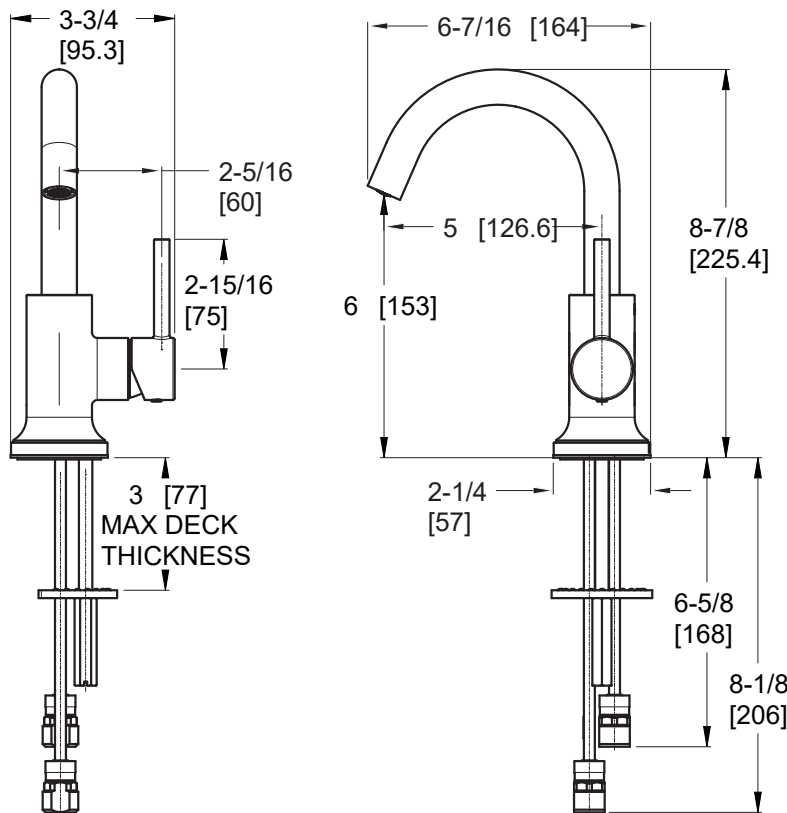
### Code Compliance

Pfister products are designed and manufactured in compliance with the following standards and codes:

- IAPMO Certified to ASME A112.18.1/CSA B125.1
- NSF/ANSI/CAN61:Q≤1
- EPA WaterSense Certified
- CEC Certified/CALGreen compliant
- ADA Compliant - ANSI A117.1 (Lever Handles Only)

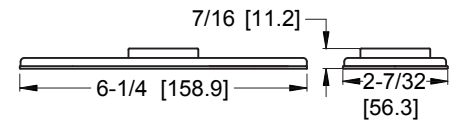


## Dimensions



Ø1 Min to Ø1-1/2 Max. Deck Hole Openings

### Optional Deckplate



### Metal Push & Seal™

