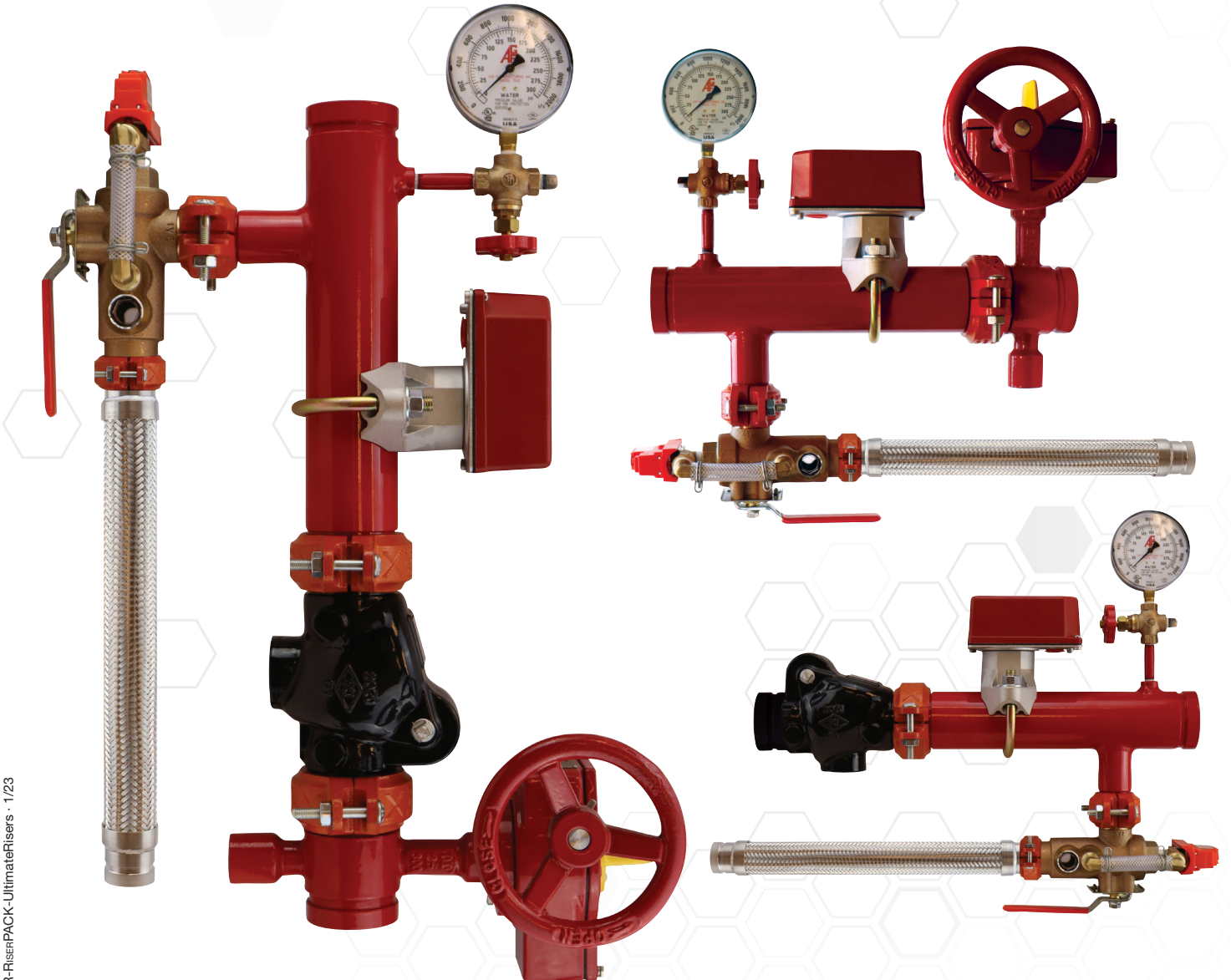




AGF Manufacturing

RISERPACK®

ULTIMATE ASSEMBLIES



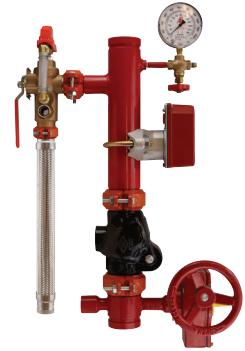
Ultimate riser assemblies feature a steel manifold (2"-8"), butterfly valve or check valve (or both), 4" Model 7500 pressure gauge, 3-way universal gauge valve, TEST_{AND}DRAIN valve with drain line, waterflow alarm switch with retard, and a Model 7000L pressure relief valve (175 PSI) with drain trim; other PSI ratings are available (200, 225, or 300). The Model 7000L can be temporarily closed during hydrostatic testing so it doesn't have to be removed from the system. Refer to www.agfmfg.com for important information regarding pressure relief valve operating characteristics and how to choose the correct pressure rating for a specific application.

Ultimate Riser Assembly with Butterfly Valve, Check Valve and Drain Line

- Schedule 10
- Rolled Grooves
- Butterfly Valve
- Check Valve
- 2"-3" use TEST_{AND}DRAIN Model 2511 (Thd x Thd)
- 4"-6" use TEST_{AND}DRAIN Model 2511 (Grv x Grv)
- Flexible Stainless Steel Drain Line
- Includes Pressure Relief Valve with Drain Trim
- Horizontal or Vertical Installation

Available Options:

- Schedule 40 with Cut Groove
- Domestic Check Valve, Butterfly Valve, and Couplings
- Without Flexible Drain Line



Ultimate RiserPACK with Butterfly Valve and Check Valve Part Numbers							
Orifice Size		2"	2½"	3"	4"	6"	8"
K-Factor	Fractional						
2.8	3/8"	8457ABCD28	8462ABCD28	8472ABCD28	8482ABCD28	8492ABCD28	8498ABCD28
4.2	7/16"	8457ABCD42	8462ABCD42	8472ABCD42	8482ABCD42	8492ABCD42	8498ABCD42
5.6	1/2"	8457ABCD56	8462ABCD56	8472ABCD56	8482ABCD56	8492ABCD56	8498ABCD56
8.0	17/32"	8457ABCD80	8462ABCD80	8472ABCD80	8482ABCD80	8492ABCD80	8498ABCD80
11.2 (ELO)	5/8"	8457ABCD11	8462ABCD11	8472ABCD11	8482ABCD11	8492ABCD11	8498ABCD11
14.0 (ESFR)	3/4"	N/A	8462ABCD14	8472ABCD14	8482ABCD14	8492ABCD14	8498ABCD14
25.2	-	N/A	N/A	N/A	8482ABCD25	8492ABCD25	8498ABCD25

Ultimate Riser Assembly with Check Valve and Drain Line

- Schedule 10
- Rolled Grooves
- Check Valve
- Flexible Stainless Steel Drain Line

Available Options:

- Schedule 40 with Cut Groove
- Domestic Check Valve and Coupling
- Without Flexible Drain Line



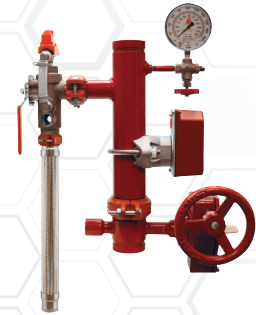
Ultimate RiserPACK with Check Valve Part Numbers							
Orifice Size		2"	2½"	3"	4"	6"	8"
K-Factor	Fractional						
2.8	3/8"	8457ACD28	8462ACD28	8472ACD28	8482ACD28	8492ACD28	8498ACD28
4.2	7/16"	8457ACD42	8462ACD42	8472ACD42	8482ACD42	8492ACD42	8498ACD42
5.6	1/2"	8457ACD56	8462ACD56	8472ACD56	8482ACD56	8492ACD56	8498ACD56
8.0	17/32"	8457ACD80	8462ACD80	8472ACD80	8482ACD80	8492ACD80	8498ACD80
11.2 (ELO)	5/8"	8457ACD11	8462ACD11	8472ACD11	8482ACD11	8492ACD11	8498ACD11
14.0 (ESFR)	3/4"	N/A	8462ACD14	8472ACD14	8482ACD14	8492ACD14	8498ACD14
25.2	-	N/A	N/A	N/A	8482ACD25	8492ACD25	8498ACD25

Ultimate Riser Assembly with Butterfly Valve and Drain Line

- Schedule 10
- Rolled Grooves
- Butterfly Valve
- Flexible Stainless Steel Drain Line

Available Options:

- Schedule 40 with Cut Groove
- Domestic Butterfly Valve and Coupling
- Without Flexible Drain Line



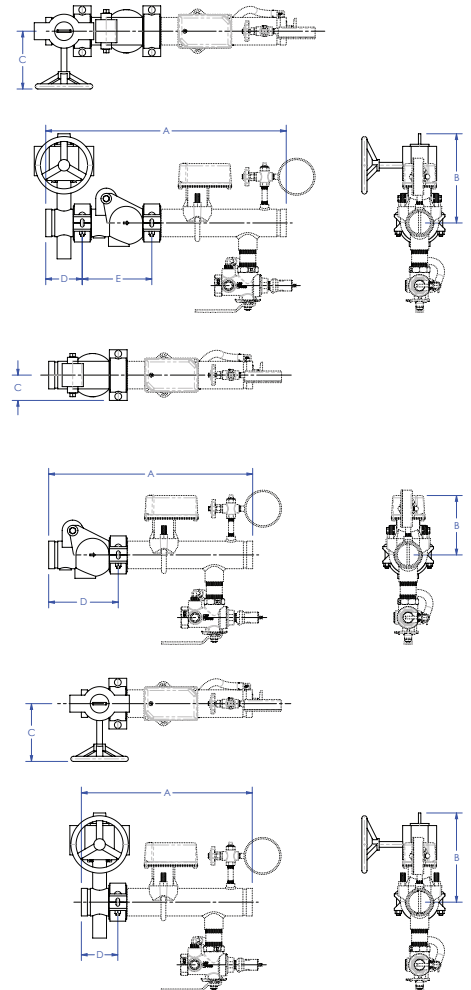
Ultimate RISERPACK with Butterfly Valve Part Numbers							
Orifice Size		2"	2½"	3"	4"	6"	8"
K-Factor	Fractional						
2.8	3/8"	8457ABD28	8462ABD28	8472ABD28	8482ABD28	8492ABD28	8498ABD28
4.2	7/16"	8457ABD42	8462ABD42	8472ABD42	8482ABD42	8492ABD42	8498ABD42
5.6	1/2"	8457ABD56	8462ABD56	8472ABD56	8482ABD56	8492ABD56	8498ABD56
8.0	17/32"	8457ABD80	8462ABD80	8472ABD80	8482ABD80	8492ABD80	8498ABD80
11.2 (ELO)	5/8"	8457ABD11	8462ABD11	8472ABD11	8482ABD11	8492ABD11	8498ABD11
14.0 (ESFR)	3/4"	N/A	8462ABD14	8472ABD14	8482ABD14	8492ABD14	8498ABD14
25.2	-	N/A	N/A	N/A	8482ABD25	8492ABD25	8498ABD25

Dimensions

Butterfly and Check Valve	Size	A	B	C	D	E
	2"	24"	6¼"	4"	3¼"	6¾"
	2½"	25"	9¼"	6"	3¾"	7¼"
	3"	25½"	9⅞"	6"	3¾"	7¾"
	4"	26⅞"	10¾"	6"	4½"	8⅞"
	6"	30¾"	12"	6"	5¼"	11½"
	8"	33⅞"	14"	8¼"	5⅞"	14"

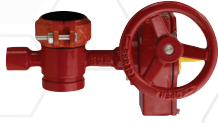
Check Valve	Size	A	B	C	D	E
	2"	20¾"	6"	2⅝"	6¾"	-
	2½"	21¼"	6¼"	2⅝"	7¼"	-
	3"	21¾"	6½"	3"	7¾"	-
	4"	22⅞"	7"	3⅝"	8⅞"	-
	6"	25½"	8⅞"	4⅞"	11½"	-
8"	28"	9⅞"	6¼"	14"	-	

Butterfly Valve	Size	A	B	C	D	E
	2"	17¼"	6¼"	4"	3¼"	-
	2½"	17¾"	9¼"	6"	3¾"	-
	3"	17¾"	9⅞"	6"	3¾"	-
	4"	18½"	10¾"	6"	4½"	-
	6"	19¼"	12"	6"	5¼"	-
8"	19⅞"	14"	8¼"	5⅞"	-	



Ultimate RISERPACK Kits for others Model 8000 and 8611

Ultimate RISERPACK Kits are floor control add-ons for model 8000, 8011, and 8611 (commercial steel risers only). They give you the option of adding a butterfly valve, check valve, or butterfly valve and check valve upgrade to your RISERPACK (Ultimate Kits fit both schedule 10 and schedule 40 manifolds). All Ultimate RISERPACK Kit components are UL listed and FM approved. Domestic options available.



Butterfly Valve Kit
Includes: Butterfly Valve and Grooved Coupling

BFV Kit	
Size	Part No.
2"	BFV-20
2½"	BFV-25
3"	BFV-30
4"	BFV-40
6"	BFV-60
8"	BFV-80



Check Valve Kit
Includes: Check Valve and Grooved Coupling

CKV Kit	
Size	Part No.
2"	CKV-20
2½"	CKV-25
3"	CKV-30
4"	CKV-40
6"	CKV-60
8"	CKV-80



Butterfly and Check Valve Kit
Includes: Butterfly Valve, Check Valve, and 2 Grooved Couplings

BFVCKV Kit	
Size	Part No.
2"	BFVCKV-20
2½"	BFVCKV-25
3"	BFVCKV-30
4"	BFVCKV-40
6"	BFVCKV-60
8"	BFVCKV-80

FDL-100

Kit Includes: 1" x 32" Male NPT x Male NPT Drain Line and 1 Union.
Fits 2" RISERPACK Sizes.



FDL-100 Kit	
Part No.	
FDL-100	

FDL-125

Kit Includes: 1¼" x 36" Male NPT x Groove Drain Line and 1 Coupling.
Fits 2½" & 3" RISERPACK Sizes.



FDL-125 Kit	
Part No.	
FDL-125	

FDL-200

Kit Includes: 2" x 48" Groove x Groove Drain Line and 2 Couplings.
Fits 4", 6", & 8" RISERPACK Sizes.



FDL-200 Kit	
Part No.	
FDL-200	

Original Manufacturer's Part Reference Numbers

Butterfly Valve ASC Part Numbers*					
2"	2½"	3"	4"	6"	8"
7005015008	3230000002	3230000004	3230000006	3230000010	3230000012

Check Valve ASC Part Numbers*					
2"	2½"	3"	4"	6"	8"
4323000100	4323000102	4323000104	4323000106	4323000110	4323000112

*Domestic Options Available

NOTE: UL and FM standards for sprinkler system pressure relief valves require relief valves to operate within a range of their ratings. FM requires a relief valve to OPEN at a pressure no less than 85% of their rating and UL requires OPENING at a pressure no greater than 105% of their rating. Both standards require the relief valves to CLOSE within a percentage below OPEN. Choose the relief valve comparing static pressure to 90% of the relief valve's rating to determine the estimated minimum OPENING and 80% of the relief valve's rating for approximate maximum CLOSING. The relief valve should be installed where it is easily accessible for maintenance. Care should be taken that the relief valve CANNOT be isolated from the system when the system is operational. A relief valve should NEVER have a shutoff valve or a plug downstream of its outlet.

USA Patent and Other Patents Pending

Installation Orientation

Horizontal
Vertical

Rating

300 PSI

Compliance

NFPA 13

Approvals

UL/ULC (EX27218, EX4019, EX4533 & EX6266)

FM



AGF Manufacturing Inc.
100 Quaker Lane, Malvern, PA 19355

Phone: 610-240-4900
techsupport@agfmfg.com

www.agfmfg.com

Job Name: _____

Architect: _____

Engineer: _____

Contractor: _____