

### Features

- Integrated child-size seat offers a comfortable, easy-to-use option for children.
- Grip-Tight installation hardware makes it easy to fasten the seat – everything is done from above the bowl.
- ReadyLatch® hinge provides a positive lock/unlock latch to securely hold seat in position, yet seat easily removes for cleaning or adjusting fit.
- Quiet-Close™ elongated seat closes quietly.
- Grip-Tight bumpers hold seat firmly in place.
- Light intensity designed to provide enough light to see the toilet without disrupting nighttime vision.
- Choose between three brightness levels: a soft glow or brighter illumination.
- Dual LED lighting offers guiding light when lid is down and task light when lid is lifted.
- Illumination cycle with automatic 10-hour nightlight.
- Battery-operated - no electrical cords required.
- Up to 12 months of battery life (uses 4 AA batteries, not included).
- Contoured seat for user comfort.
- Color-matched plastic hinges.

### Material

- Plastic construction.



### Codes/Standards

IAPMO/ANSI Z124.5

### KOHLER® Toilets and Seats Limited Warranty

See website for detailed warranty information.

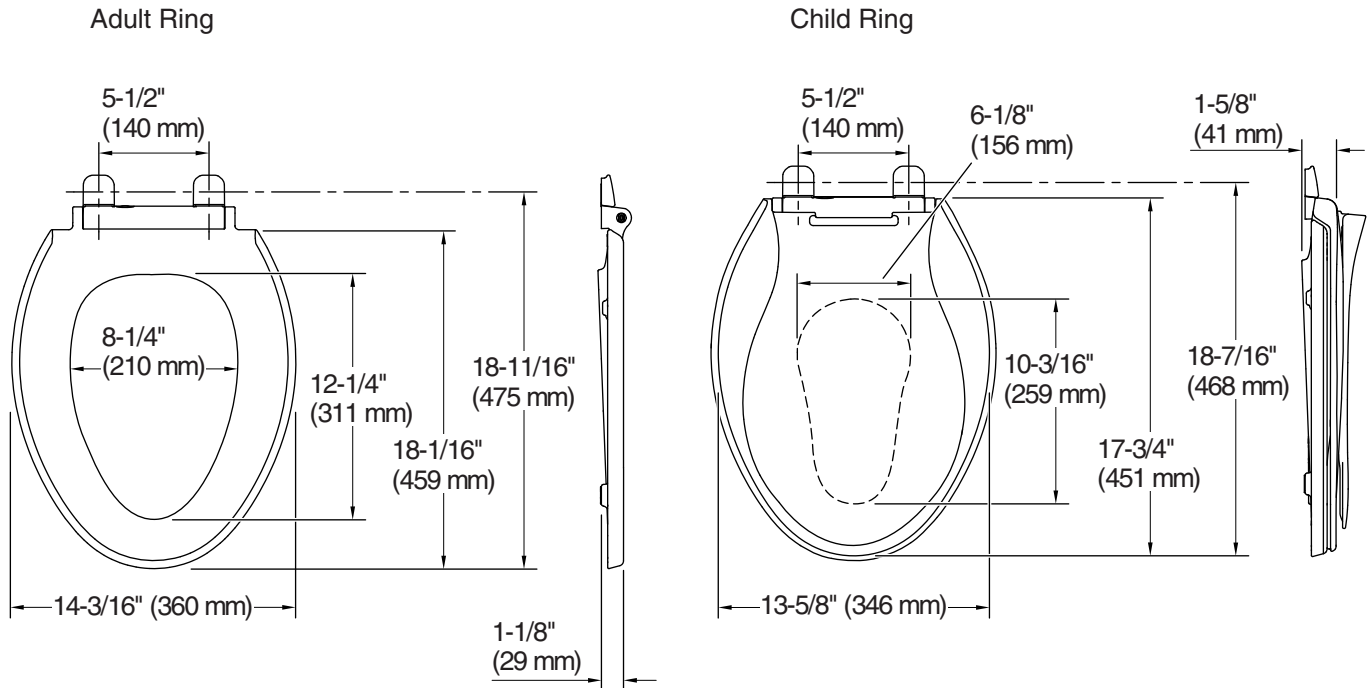
### Available Colors/Finishes

*Color tiles intended for reference only.*

Color	Code	Description
-------	------	-------------

	0	
--	---	--

	96	
--	----	--



### Technical Information

All product dimensions are nominal.

- Seat shape type: Elongated
- Seat front type: Closed-front
- Seat-mounting holes: 5-1/2" (140 mm)