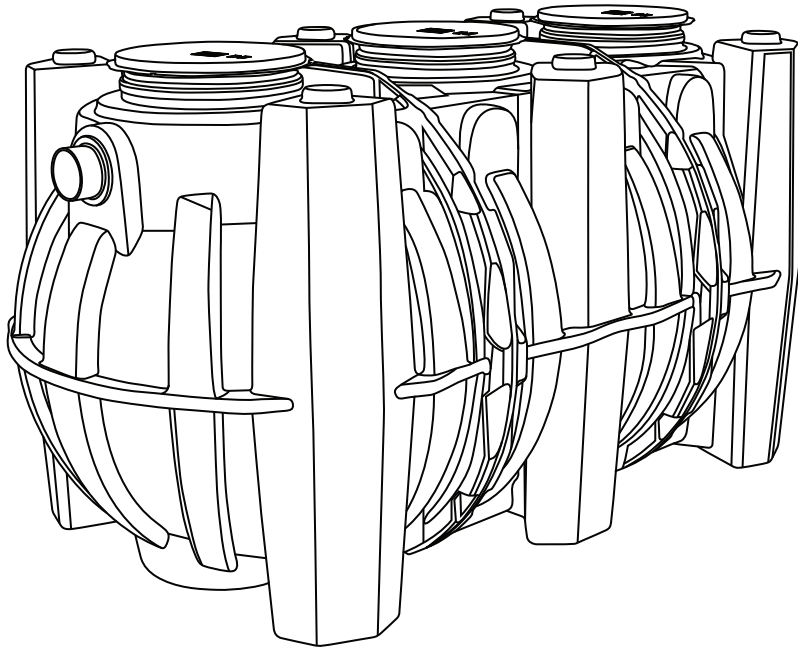

INSTALLATION GUIDE

GB-1500 100/200 GPM Great Basin™ Indoor/Outdoor Grease Interceptor



Contents

Special Precautions	2-3
Installation Instructions	4-8
Pumpout Ports	9-13
Series Installations	14

Find these instructions online at: schierproducts.com/gb-1500

This unit is certified for hydromechanical performance to ASME A112.14.3 and CSA B481.1



SCHIER

LIFETIME GUARANTEED **GREASE INTERCEPTORS**

913-951-3300 | schierproducts.com
© Copyright 2023 Schier Products Company, 01/01/23



SPECIAL PRECAUTIONS

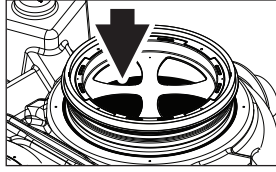
For Schier Grease Interceptor Installations - Failure to follow this guidance voids your warranty

WARNING! DO NOT AIR TEST UNIT OR RISER SYSTEM!
Doing so may result in property damage, personal injury or death.

CAUTION! Do not install this unit in any manner except as described in these instructions.

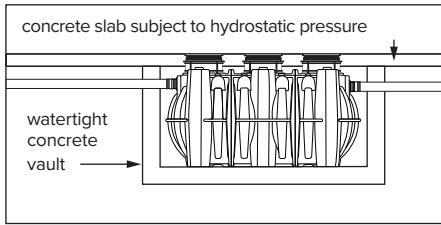
Installation Instructions

Installation instructions and additional components are included with the interceptor. Read all instructions prior to installation. This interceptor is intended to be installed by a licensed plumber in conformance with all local codes.



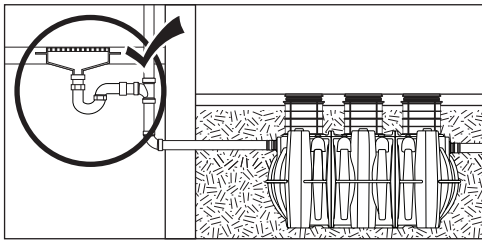
Hydrostatic/ Pressure Slabs

When installed under a hydrostatic slab (slab designed to withstand upward lift, usually caused by hydrostatic pressure) interceptor must be enclosed in a watertight concrete vault.



ODOR ALERT!

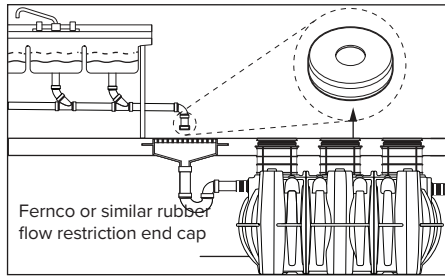
Interceptor is not a sewer gas trap. All upstream fixtures must be trapped



Indirect Connections

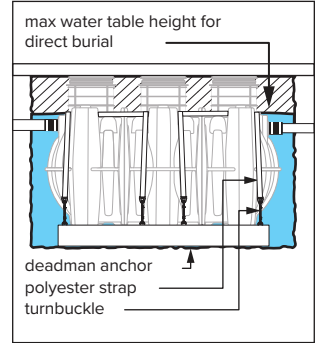
If your dishwashing sink(s) discharges into a floor drain/sink (drain), you must regulate the flow into the drain to avoid an overflow of water onto the kitchen floor. This can be done by installing a valve or flow restriction cap on the sink piping that discharges into the drain. See drawing for guidance.

For detailed guidance on indirect connections, go to: webtools.schierproducts.com/Technical_Data/Indirect_Connections.pdf



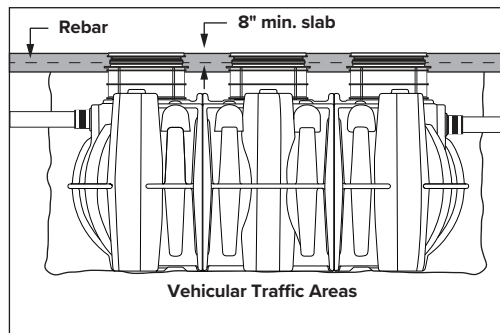
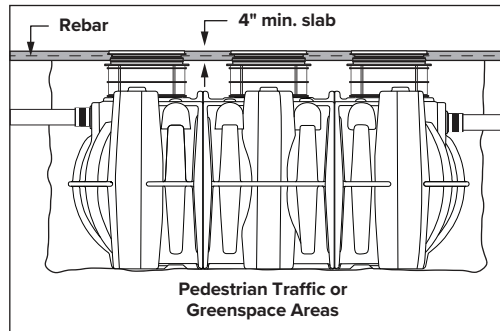
High Water Table Installations

Interceptors and risers are not designed to withstand water table height in excess of the top of the unit when buried (see figure). If it is possible for this to occur, install the interceptor and risers in a water-tight concrete vault or backfill with concrete or flowable fill (wet concrete and flowable backfill should be poured in stages to avoid crushing the interceptor). At risk areas include but are not limited to tidal surge areas, floodplains and areas that receive storm water. Great Basin™ models that are direct buried in high water table scenarios must be installed with an anchor kit. Model GB-1500 uses model AK3 anchor kit for use with deadmen anchors.



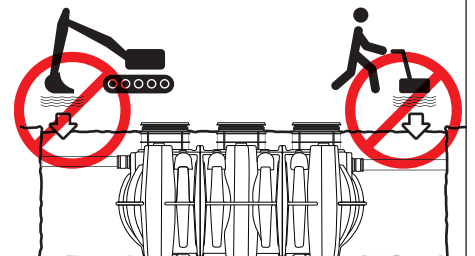
Below Grade Installation Slab Requirements

A concrete slab to finished grade with rebar is required when installing interceptor below grade.



DO NOT COMPACT BACKFILL MECHANICALLY

Compact by hand only





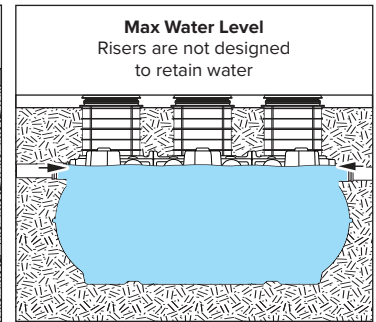
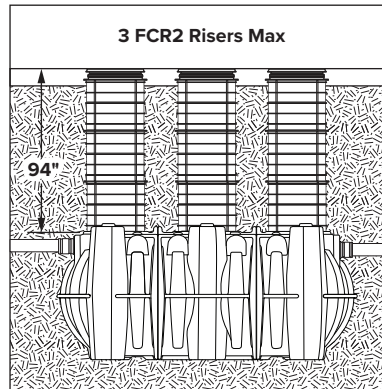
SPECIAL PRECAUTIONS

For Schier Grease Interceptor Installations - Failure to follow this guidance voids your warranty

High Temperature Kitchen Water

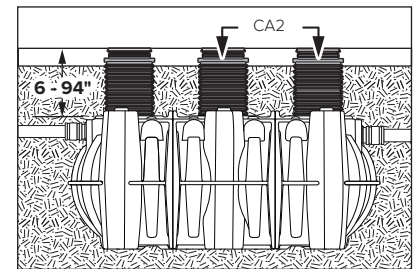
If water is entering the interceptor at excessive temperature (over 150° F), a drain water tempering valve (DTV) and approved backflow prevention assembly must be installed. Most state and local plumbing codes prohibit water above 150° F being discharged into the sanitary sewer. Water above 150° F will weaken or deform PVC Schedule 40 pipe, poly drainage fixtures like interceptors and erode the coating of cast iron (leading to eventual failure).

Installations with Risers



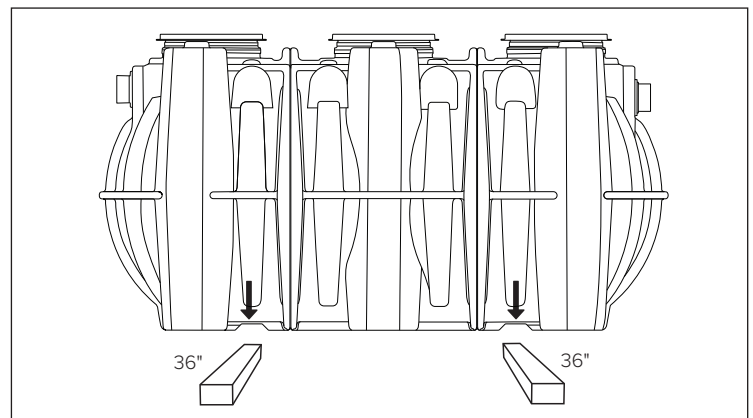
Corrugated Riser Pipe Requirements

Riser adapter model CA2 must be used when installing interceptors using 24" diameter corrugated pipe as a riser. This will adequately embed the cover adapter in the concrete slab, preventing cover/cover adapter failure under traffic rated loads.

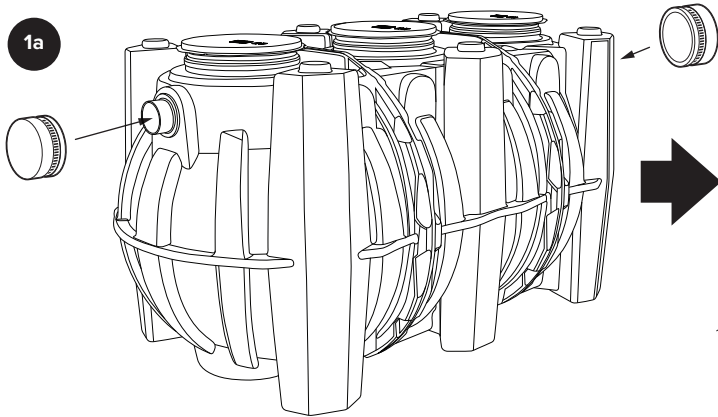


Above Grade Installation Support

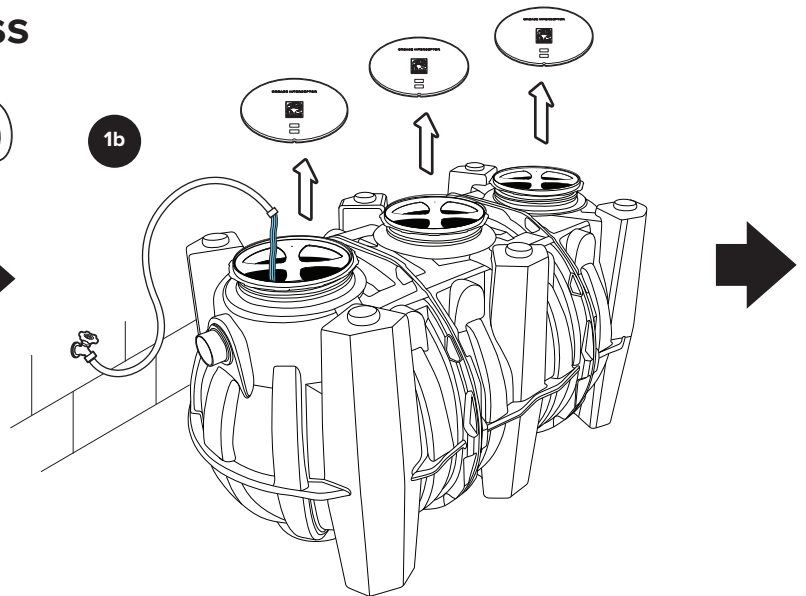
For use in supporting tank body installed above grade. Use the provided 2x4 shipped on top of the tank. Cut two 36" long pieces from the supplied 2x4 and install them into the allotted slots at the bottom of the tank.



1 Test Tank for Water Tightness

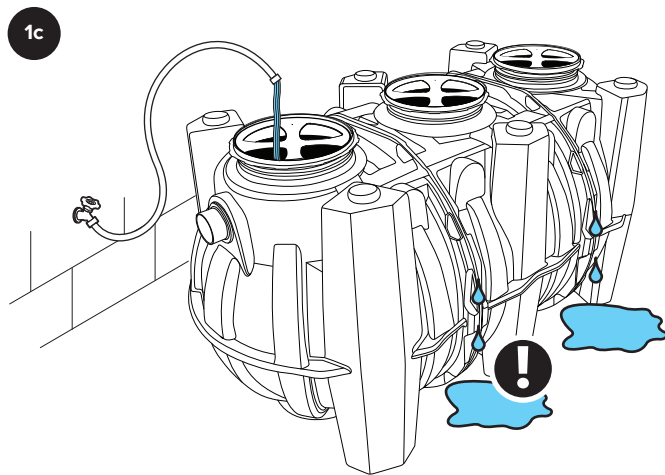


Cap both connection points with 6" flexible PVC caps.



Remove covers. For base unit testing fill with water to just above the highest connection.

Inspect unit, connections and gaskets for leaks. Check water level at specific time intervals per local code.

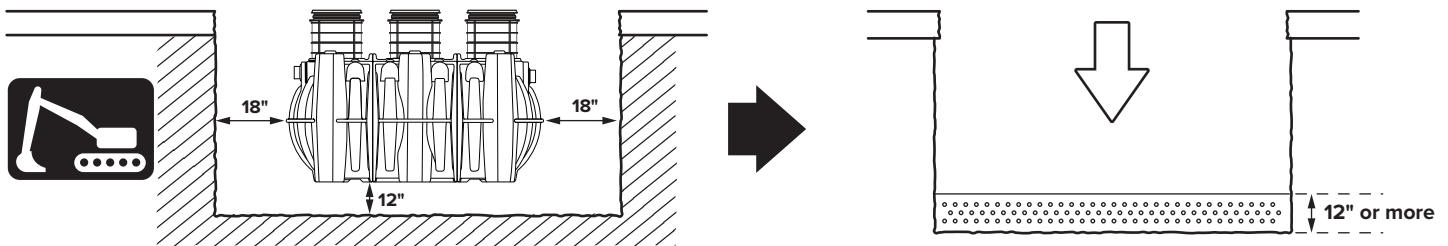


Have a Leak?

Call customer care at 913-951-3300

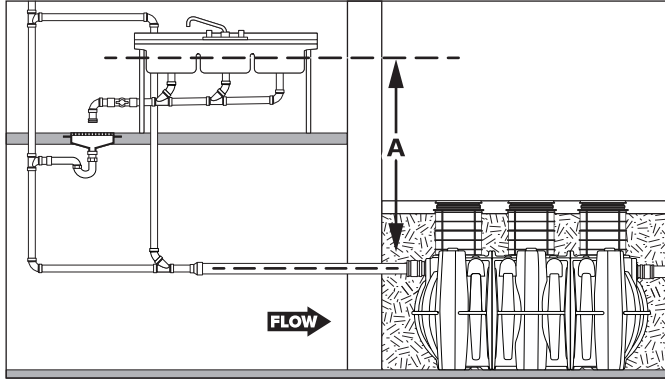
Hours 8am-5pm CST, M-F

2 Excavate Burial Pit



Excavate hole at least 18" larger than interceptor on all sides and 12" deeper than tank bottom. Lay a level bed of well-packed, crushed aggregate (approximately 3/4" size rock or sand, with no fines) in the base of hole.

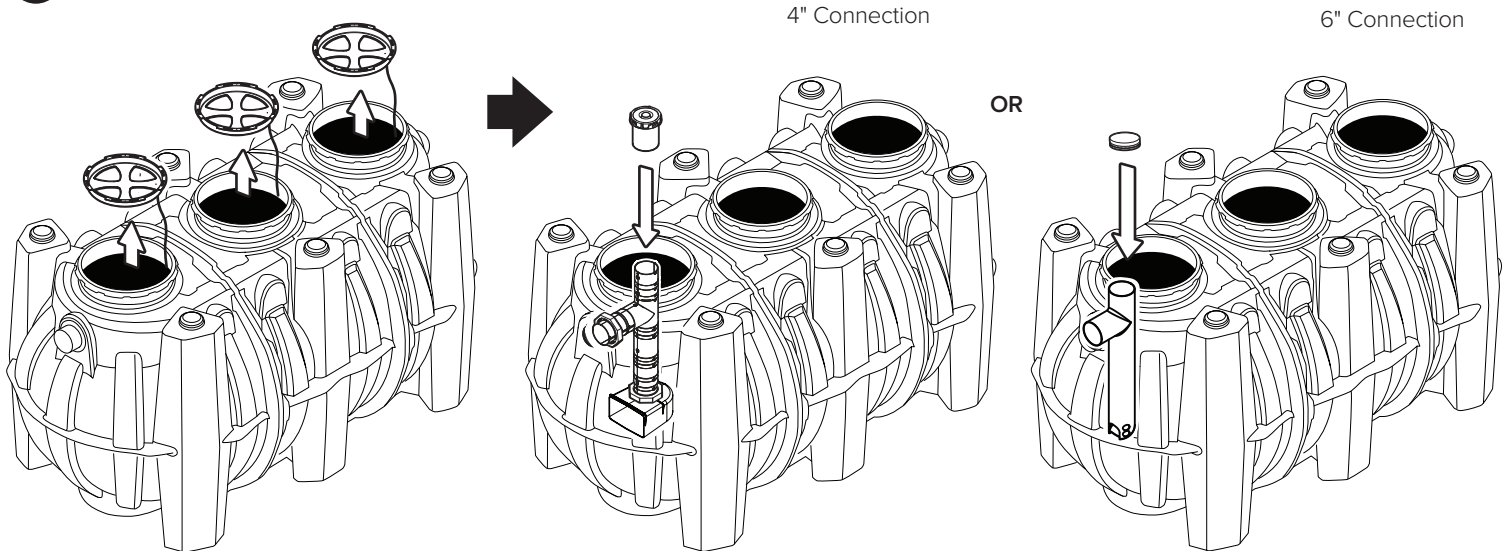
3 Install Inlet Diffuser Components



This unit is supplied with additional components for use in high flow/ increased head pressure conditions.

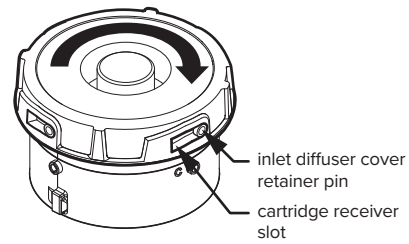
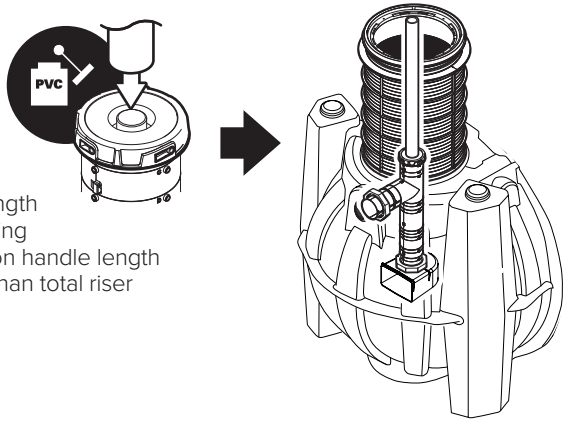
- If dimension "A" is 13 feet or less, no additional components are needed, **go to Step 4, Connect Piping.**
- If dimension "A" is more than 13 feet, or a high flow/increased head pressure condition exists, **follow Steps below.**

3a Install inlet diffuser cover



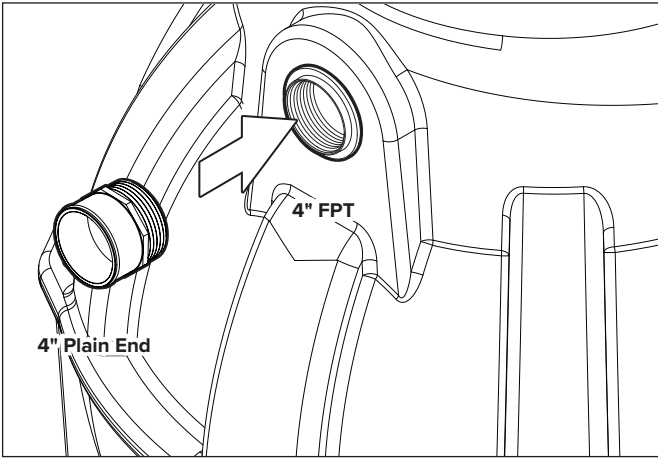
3b OPTIONAL for 4" Diffusers: install extension handle

For easy inlet diffuser cover or flow control cartridge removal in deep burial installations, 1-1/2" PVC SCH. 40 pipe may be used as an extension handle. Before risers have been installed, cut pipe to length and attach to top of cover using PVC primer/cement. Extension handle length should be about 12" shorter than total riser height.



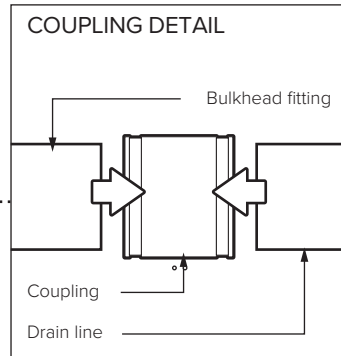
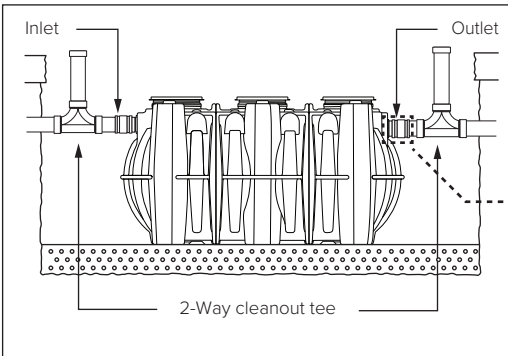
4 Connect Piping

4a Install plain end fittings (4" CONNECTIONS ONLY)



Screw plain end fittings (included) into bulkhead fittings using pipe thread sealant or tape approved for use with plastics. 6" connection types come pre-installed from the factory.

4b Connect interceptor to drain lines

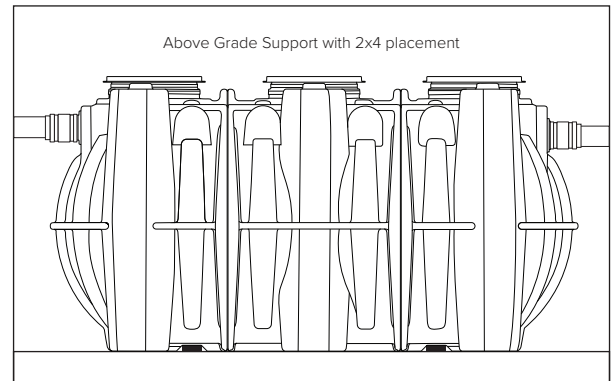
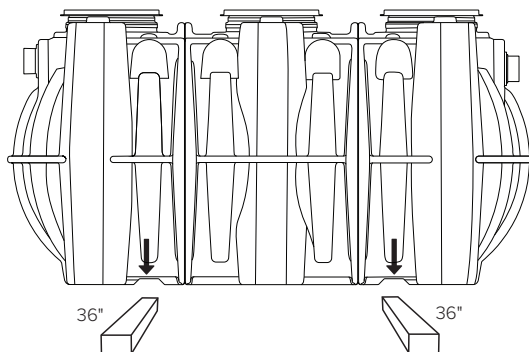


Place unit into final position and set level. Mechanically couple inlet and outlet drainage lines to unit. **Do not solvent weld.** Ensure all upstream fixtures are trapped. Vent per local code. Installation of 2-way cleanout tees to grade (by others) is recommended for buried installations.

5 Above Grade Installation Support



For use in supporting tank body installed above grade. Use the provided 2x4 shipped on top of the tank. Cut two 36" long pieces from the supplied 2x4 and install them into the allotted slots at the bottom of the tank.



6 Wet or Air Test Piping Per Local Code

! WARNING! DO NOT AIR TEST UNIT OR RISER SYSTEM!
Doing so may result in property damage, personal injury or death.

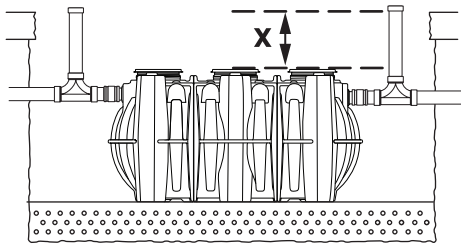


Have a Leak? Call customer care at 913-951-3300
Hours 8am-5pm CST, M-F

7 Bring Covers Flush-to-Grade

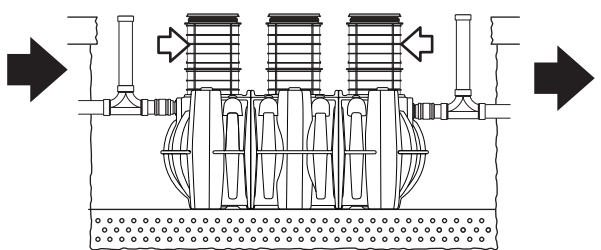
The GB-1500 is ready for burial depth of 77" from finished grade to bottom of tank (or 18" to centerline of inlet). Deeper burials will require extending the cover adapters and possibly adding risers.

7a Measure dimension X to determine riser height needed.



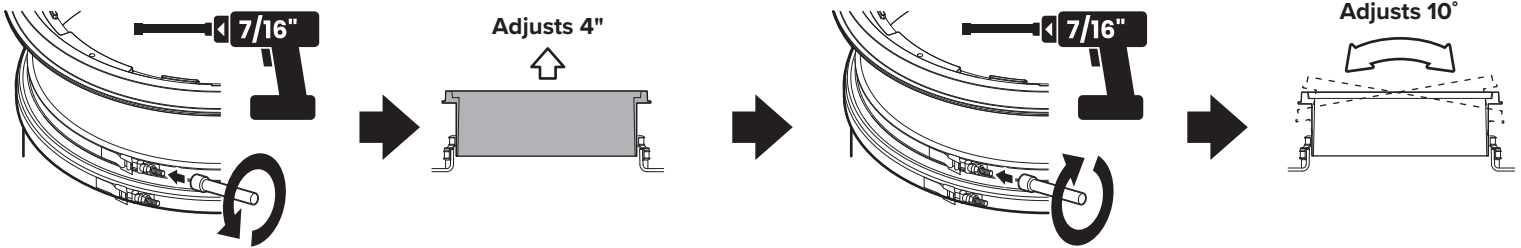
Riser Height Needed	Risers Required
0" - 4"	None (use adapter)
>4" - 34"	FCR2 (x3)
>34" - 64"	FCR2 (x6)
>64" - 94"	FCR2 (x9)

7b Install risers if required

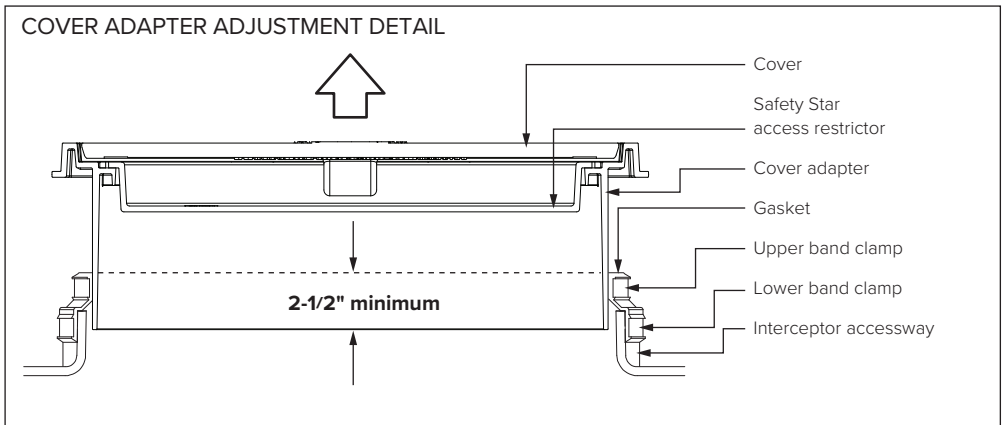


See instructions included with FCR2.
LEARN MORE: schierproducts.com/fcr2

7c Make final cover adapter adjustments



Loosen the cover adapter upper band clamp using 7/16" nut driver bit. Adjust cover adapter heights as needed. **Maintain a minimum 2-1/2" insertion depth.** Tighten upper band clamp to 5-8 ft. lbs. of torque using 7/16" nut driver bit. If required, cover adapters may now be tilted up to 10° in any direction using gasket flexibility.

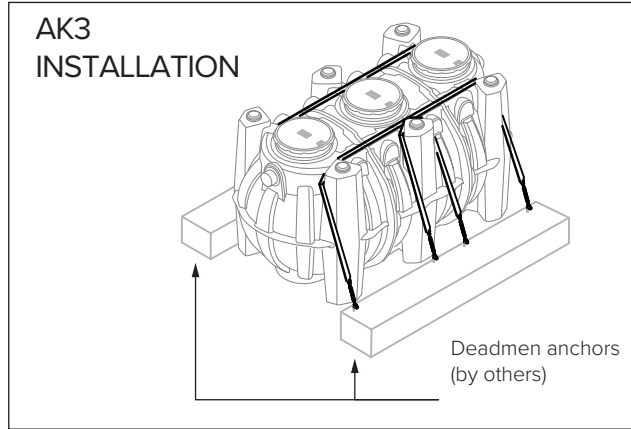


8 Install Anti-Flotation Anchor Kit

If the installation location is in a high water table or at risk area (including but not limited to tidal surge areas, floodplains and areas that receive storm water) the GB-1500 must be installed with Schier model AK3 anchor kit (with deadman anchors by others). See instructions included with AK3.

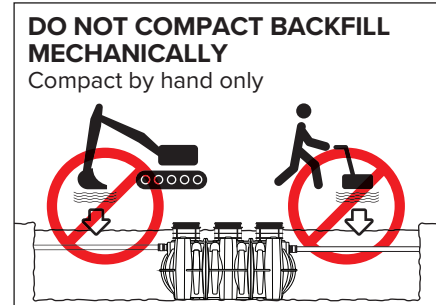
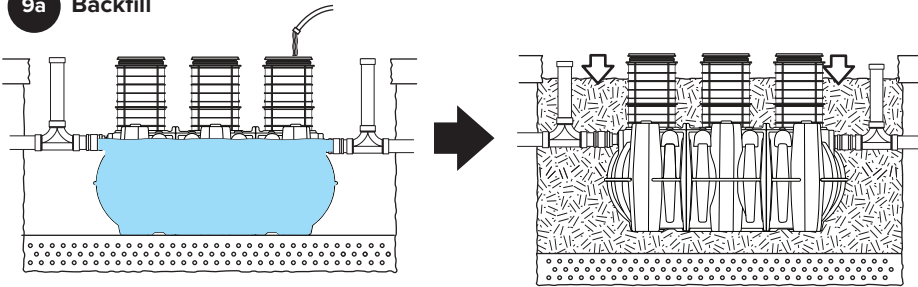
LEARN MORE:

schierproducts.com/ak3



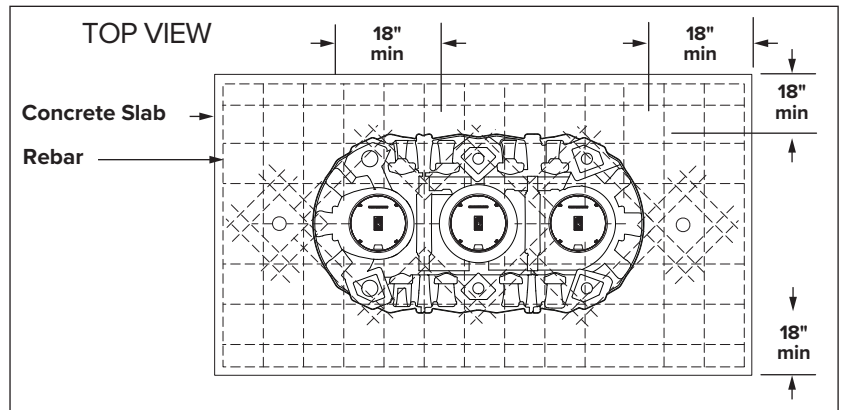
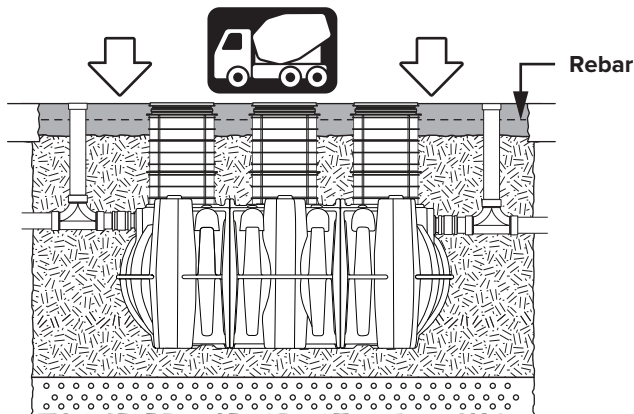
9 Backfill and Finished Grade

9a Backfill



Fill unit with water for stabilization and float-out prevention. Backfill evenly around tank using crushed aggregate (approximately 3/4" size rock or sand with no fines) or flowable fill. **Do not mechanically compact backfill around unit.**

9b Pour concrete slab to finished grade




Vehicular Traffic Areas:

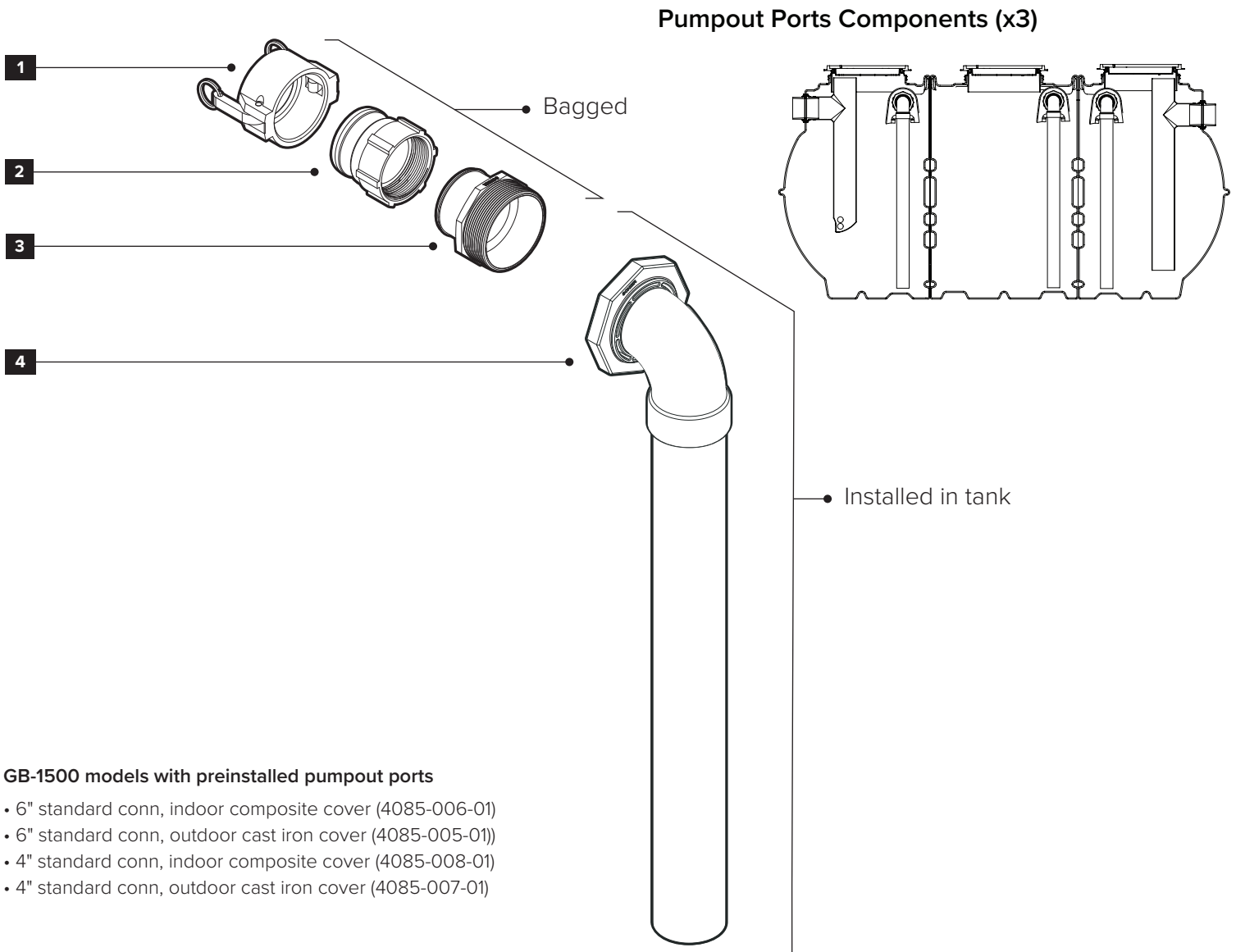
Minimum 8" thick concrete slab with rebar required. Thickness of concrete around covers to be determined by specifying engineer. If traffic loading is required the concrete slab dimensions shown are for guideline purposes only. Concrete to be 28 day compressive strength to 4,000 PSI. Use No. 4 rebar (ø 1/2") grade 60 steel per ASTM A615: connected with tie wire. Rebar to be 2-1/2" from edge of concrete and spaced in a 12" grid with 4" spacing around access openings.

Pedestrian Traffic or Greenspace Areas:

Minimum 4" thick concrete slab with rebar required.

OPTIONAL PUMPOUT PORTS

 Standard GB-1500 units **DO NOT** include pumpout port connections or the ability to have pumpout port connections added. Specific units listed below include three preinstalled pumpout connections.



GB-1500 models with preinstalled pumpout ports

- 6" standard conn, indoor composite cover (4085-006-01)
- 6" standard conn, outdoor cast iron cover (4085-005-01))
- 4" standard conn, indoor composite cover (4085-008-01)
- 4" standard conn, outdoor cast iron cover (4085-007-01)

1. 3" cam and groove cap
2. 3" cam and groove fitting
3. 4" MPT x 3" plain end fitting

4. Pumpout adapter with green retaining nut and internal pipe assembly

Notes

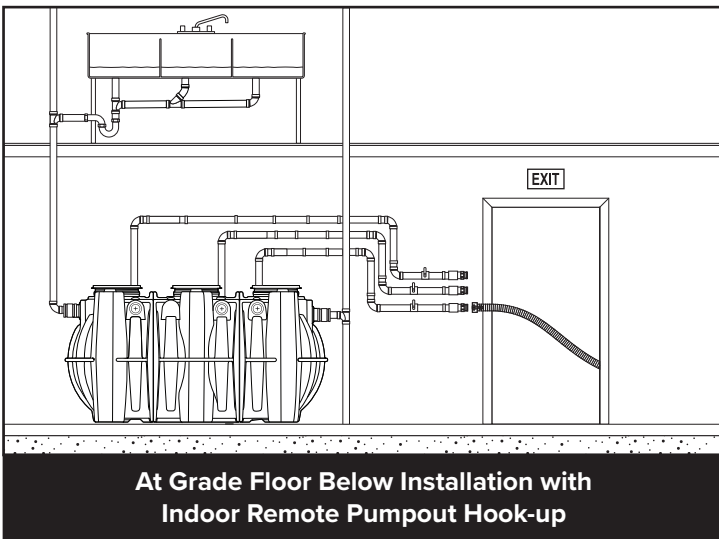
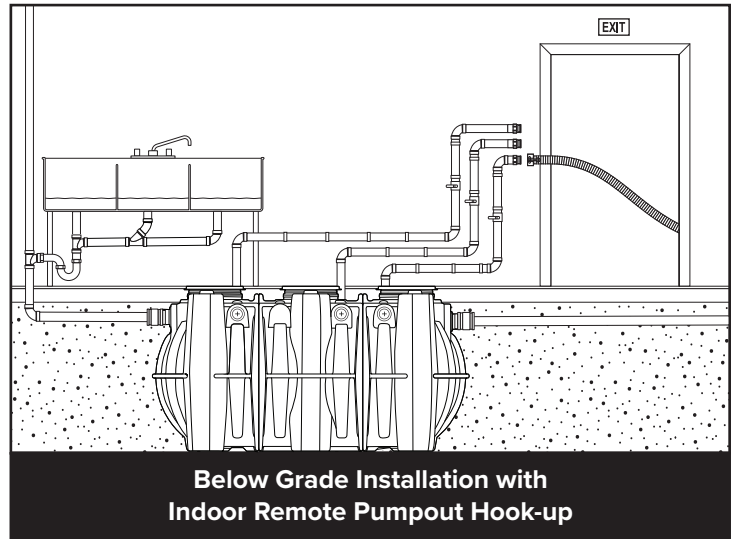
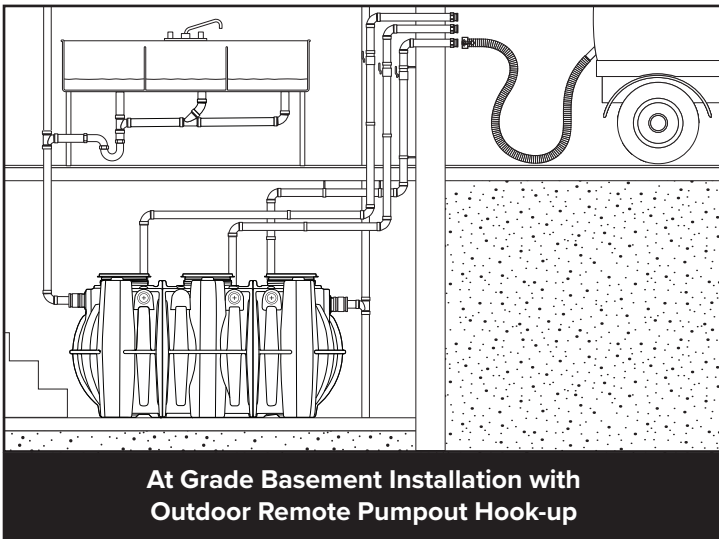
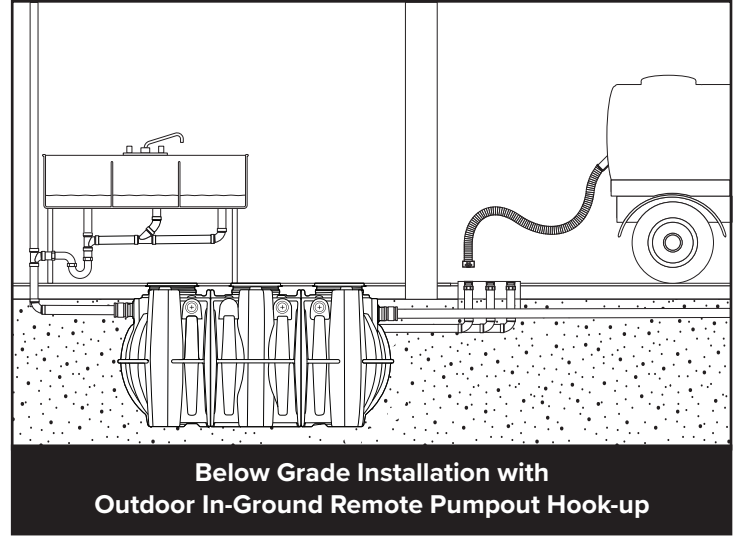
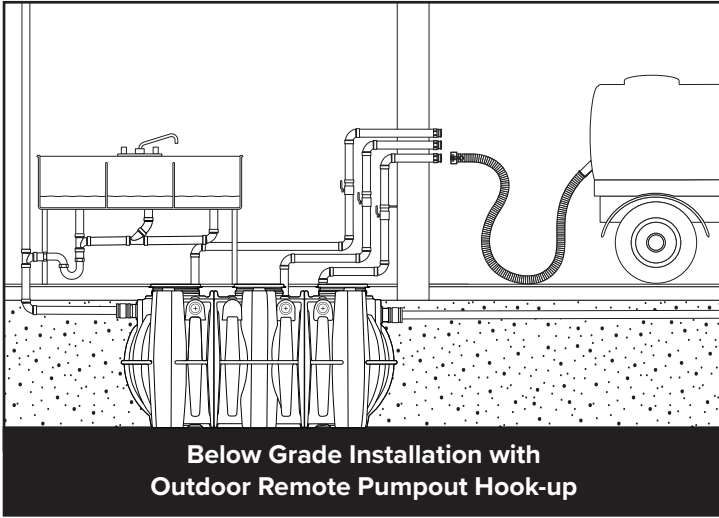
1. Additional plumbing fitting(s) required to complete kit installation. Fitting(s) determined by unit outlet configuration.

Installation Notes

1. Maximum vertical distance from static water line of grease interceptor to pumpout port hook-up shall not exceed 21 feet.
2. Maximum horizontal distance from grease interceptor to pumpout truck (including pumper hose) shall not exceed 100 feet.
3. Plumbing from interceptor to hook-up to have a maximum quantity of 6 elbow fittings

PUMPOUT PORT INSTALLATION IDEAS

Use the following illustrations for guidance to plan your pumpout ports piping layout.



PUMPOUT PORT INSTALLATION

1 Plan pumpout plumbing

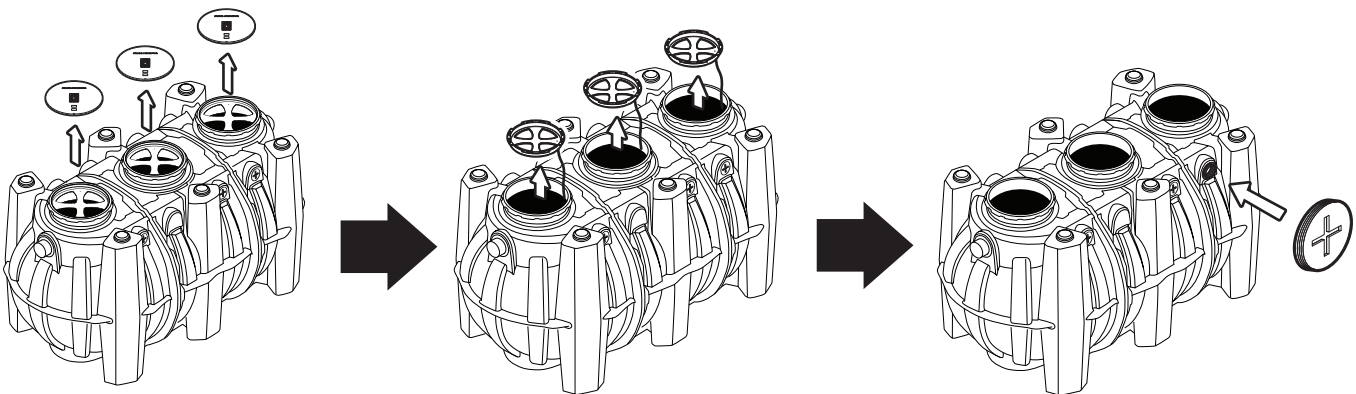
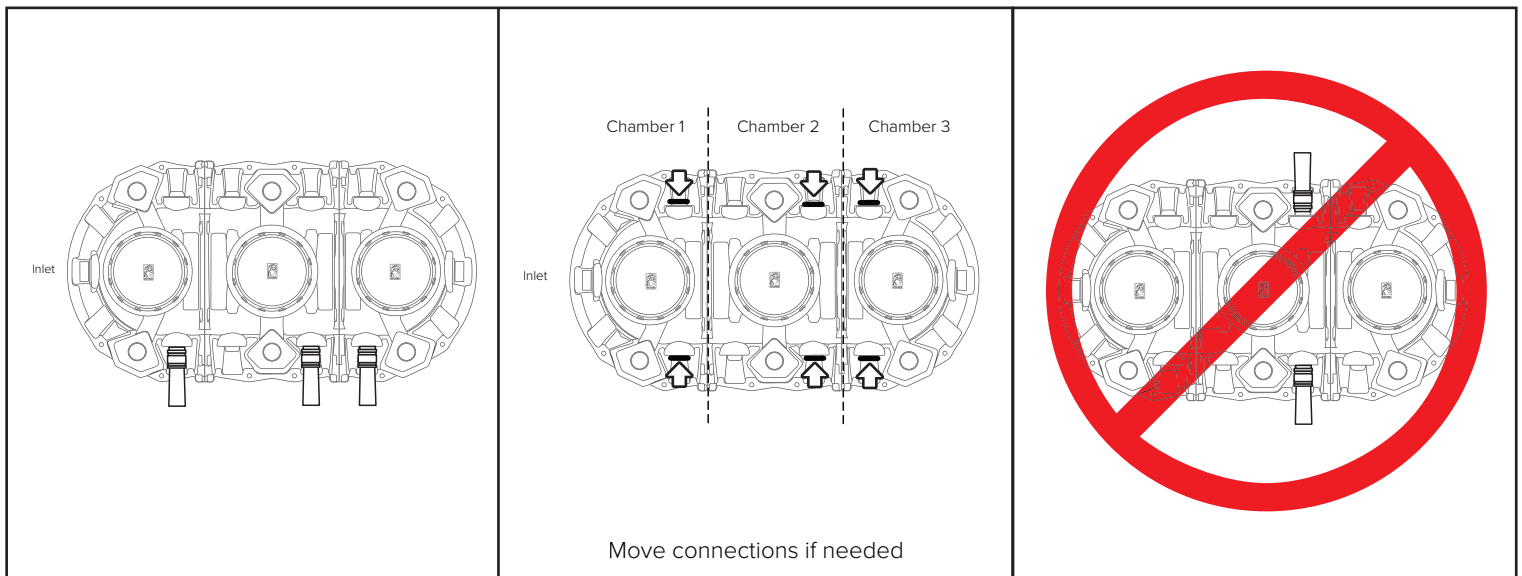
See "**INSTALLATION IDEAS**" for guidance. Choose two pumpout port connections on the interceptor and choose a location for the pumpout hook-up. **NOTE:** This kit does not include the plumbing from the interceptor to the hook-up location. You will need to plan out the pumpout plumbing based on site conditions and local codes and provide all additional piping, valves, connections and hardware needed to complete this installation.

2 Move pumpout port connections if needed

Connections shown as shipped

Use one connection (shown in bold) per chamber

Do not allow connections to both be on one side of the baffle



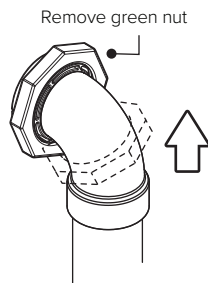
Remove cover bolts (if applicable), then remove covers. Remove Safety Star® inserts, leave tethered to unit. Install cleanout plugs to two unused pumpout port connections.

PUMPOUT PORT INSTALLATION

3 Moving Internal Pipe Assembly

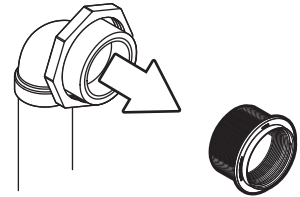
3a

Place the bulkhead connection retaining nut into position against the rim of the adapter, starting at the bottom of the vertical pipe and sliding it up and over the elbow.

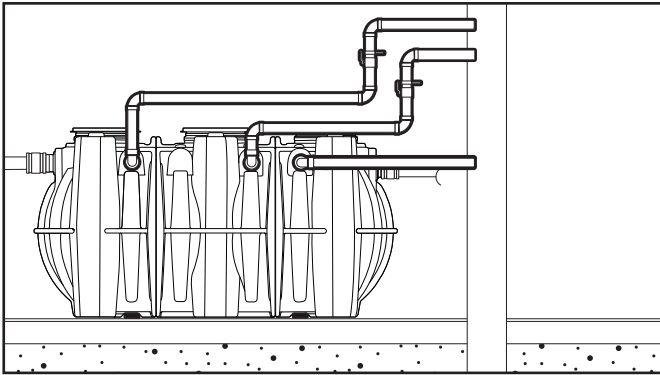


3b

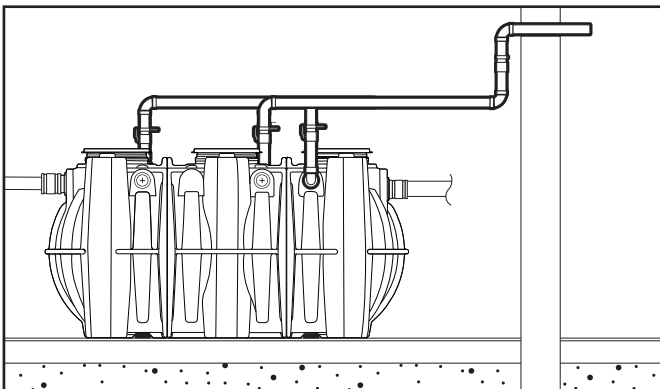
Place internal pipe assembly onto desired internal connection stub. Ensure piping assembly is pointed down (as shown) and there is at least 1/2" of clearance between the pipe and floor of unit. Securely hand tighten retaining nut.



4 Connect External Piping



Install 3" PVC piping, connections, valves and/or hardware from the interceptor pumpout port to pumpout hook-up location (**Not included with this unit**). Maximum quantity of 6 elbow fittings per line. Max. height from static water line of interceptor to hook-up is 21 feet. Max horizontal distance from interceptor to pumper truck (including hose) is 100 feet.

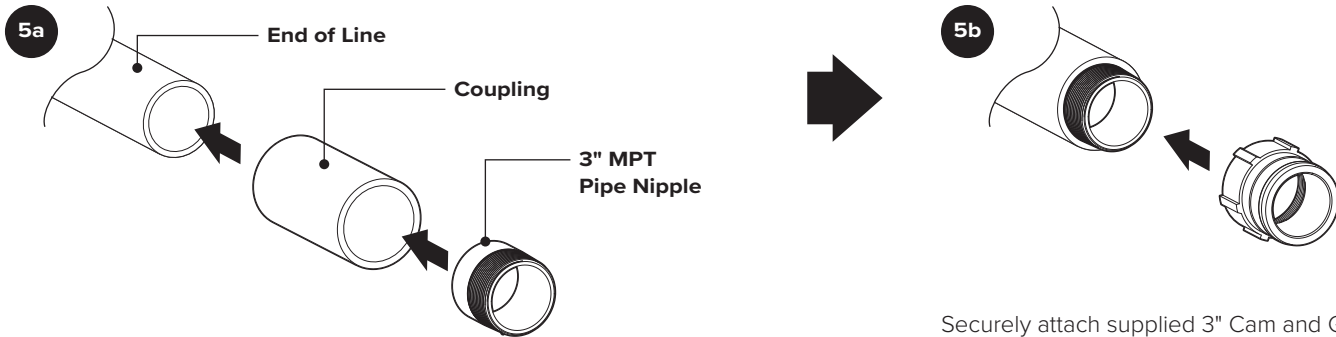


OR

In a manifold installation, you will need to pump out each compartment separately, using one valve at a time to isolate each compartment to ensure vacuum isn't lost during the pumping process.

PUMPOUT PORT INSTALLATION

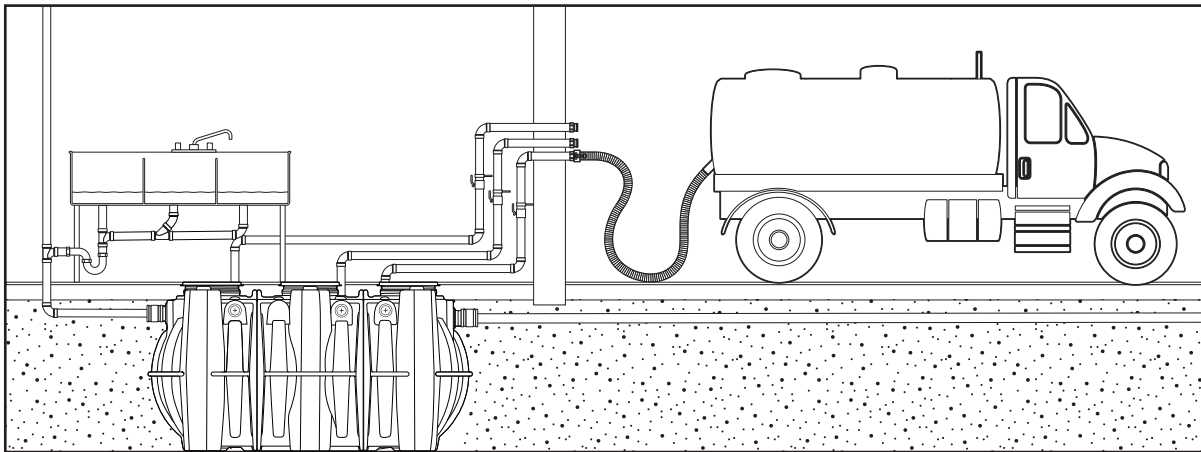
5 Connect Pumpout Hook-up



At the end of the pumpout plumbing line, install a 3" MPT pipe nipple (**Not included with this unit**) using a coupling of your choice.

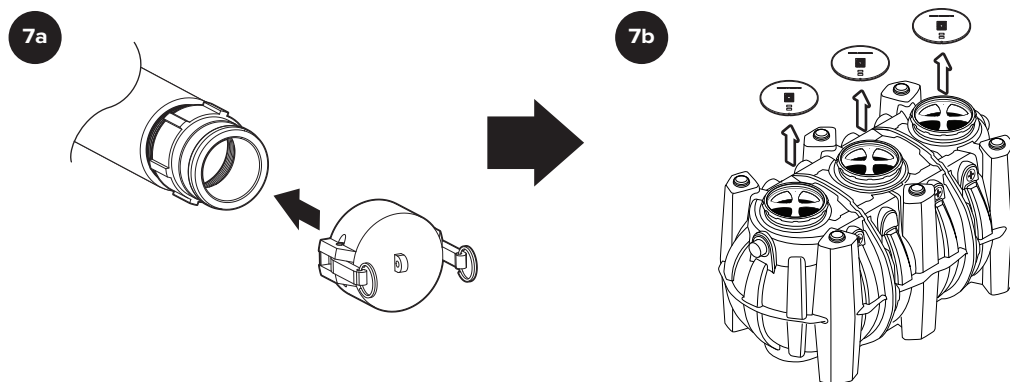
Securely attach supplied 3" Cam and Groove Fitting to pipe nipple using pipe thread sealant or tape.

6 Test Pumpout Port



Run sinks to ensure intercepter is full of water. Attach pumper hose to 3" cam and groove fitting. Turn on pump, make sure intercepter is pumped out and inspect pumpout plumbing for leaks.

7 Cap off hookup and re-assemble interceptor



Install cam and groove cap at hookup

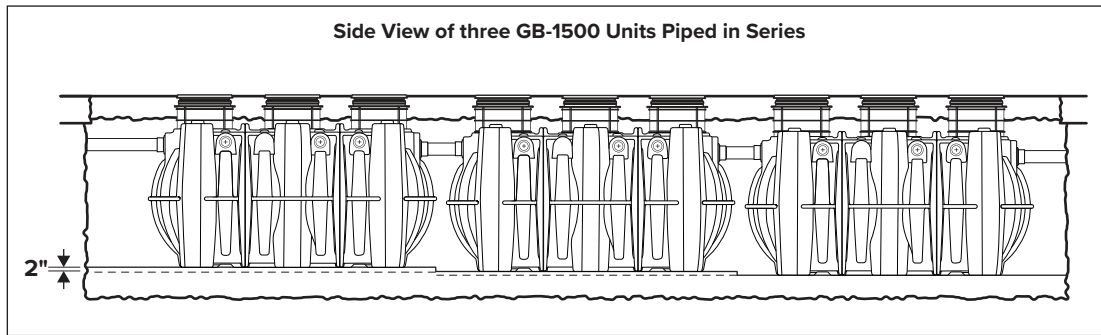
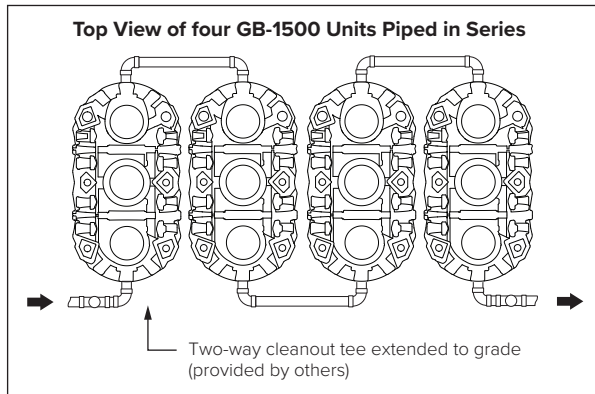
Replace safety star insert and cover, tightening cover bolts securely (if applicable).

Series Installations

For lower flow rates and higher grease storage requirements. Piping between units and two-way cleanout tees by others.

All units must be level in the excavation pit. Note that downstream units must be buried 2" deeper than the adjacent, upstream fixture. Two-way cleanout tees extended to finished grade should be installed before the first unit inlet, after the last unit outlet and in between units (if there is a long run of pipe between units) for line cleaning purposes.

NOTE: When the flow control is required, it should only be installed on the first unit in the series.



Rated Grease Capacities for Units Piped in Series

No. of Units In Series	Removal Efficiency			
	100 GPM - 99.6%	100 GPM - 99%*	200 GPM - 98.4%*	200 GPM - 99.2%*
2	20,122 lbs.	19,794 lbs.	18,893 lbs.	16,186 lbs.
3	30,183 lbs.	29,691 lbs.	28,339 lbs.	24,280 lbs.
4	40,244 lbs.	39,588 lbs.	37,786 lbs.	32,373 lbs.