

- GT72-TDBG Finish(BG)
- GT72-TDC Finish(C)
- GT72-TDD Finish(D)
- GT72-TDS Finish(S)
- GT72-TDY Finish(Y)

Specifications

Features

- 1.8 GPM Flow Rate
- 360° High Arc Swivel Spout
- Nylon Flex-Line Supply Lines
- Forward Handle Operation
- Optional Deckplate Available, Order 961-235*
- TiteSeal™ Technology
- Pforever Seal™ Ceramic Disc Valve
- Limited Lifetime Warranty



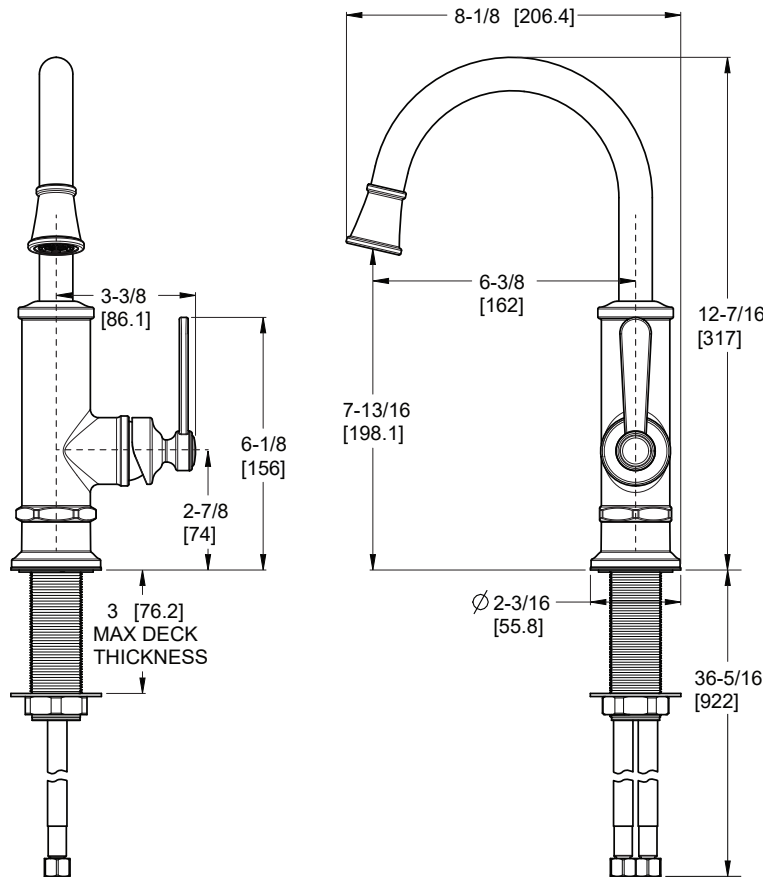
Code Compliance

Pfister products are designed and manufactured in compliance with the following standards and codes:

- IAPMO Certified to ASME A112.18.1/CSA B125.1
- NSF/ANSI/CAN61:Q≤1
- CEC Certified/CALGreen compliant
- ADA Compliant - ANSI A117.1 (Lever Handle Only)

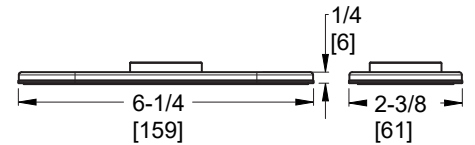


Dimensions



Ø1-1/2 Min to Ø1-5/8 Max. Deck Hole Openings

Optional Deckplate 961-235*



36 Inch Supply Lines with
3/8 Female Compression
Brass Connections

