

### Features

- For baths 15" (381 mm) to 21" (533 mm) deep from the center of the bath overflow outlet to the center of the bath drain outlet
- 30" (762 mm) length external cable
- Flexible overflow joint conforms to various bath angles
- Rotary or push handle controls and pop-up drain stopper (sold separately)
- No internal linkages to minimize the potential for clogging
- Includes tee, drain ell, and overflow ell with attached 1-1/2" OD pipe
- Flexible overflow neck for easy installation to fit various bath angles

### Material

- Solid-brass construction for durability and reliability
- 17-gauge brass drain pipe

### Installation

- Above- or through-floor installation
- Can be installed and tested without required trim kit

### Required Products/Accessories

K-T37391 Rotary-turn bath drain trim

or

K-T37392 Rotary-turn bath drain trim

or

K-T37393 Traditional rotary-turn bath drain trim

or

K-T37395 Bath drain trim

or

K-T37396 Traditional push-button bath drain trim

or

K-T37391 Rotary-turn bath drain trim

K-T37392 Rotary-turn bath drain trim

K-T37393 Traditional rotary-turn bath drain trim

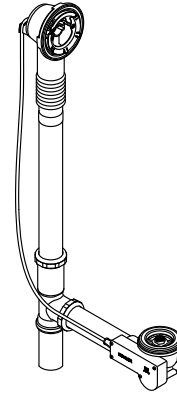
K-T37395 Bath drain trim

K-T37396 Traditional push-button bath drain trim

### Recommended Products/Accessories

K-23726 Drain treatment

K-23723 Faucet cleaner

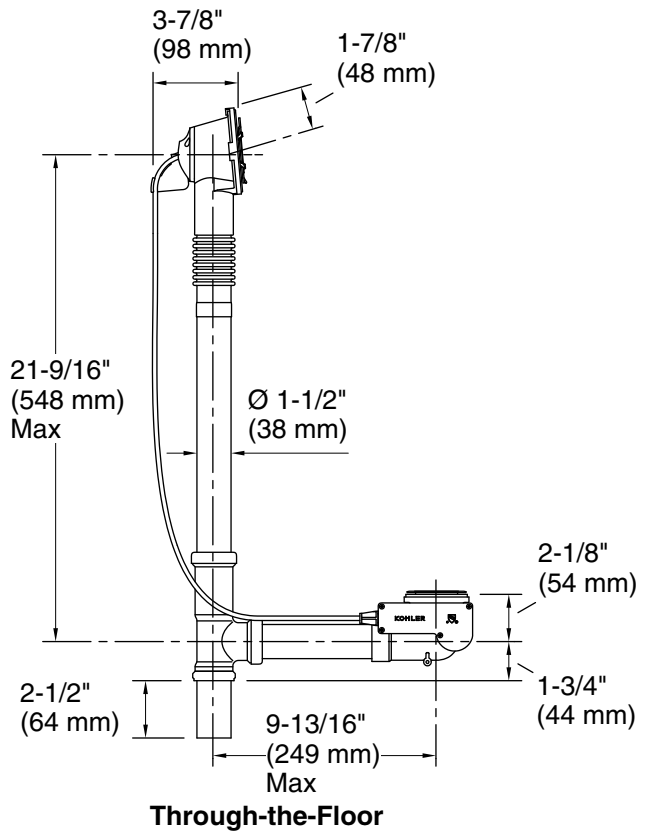
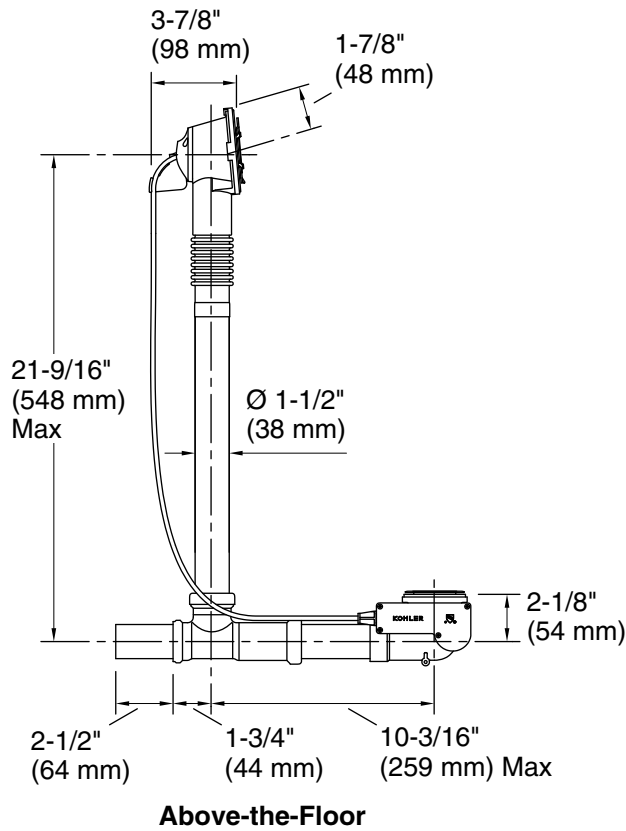


### Codes/Standards

ASME A112.18.2/CSA B125.2

### KOHLER® One-Year Limited Warranty

See website for detailed warranty information.



### Technical Information

All product dimensions are nominal.

Drain included: Yes