

## Dimensional Document

# Viega ProPress® Fittings

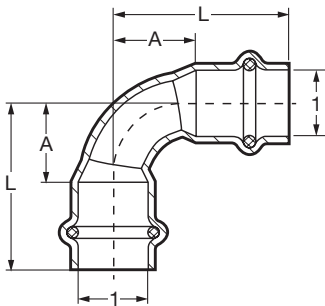


This document is subject to updates. For the most current Viega technical literature please visit [www.viega.us](http://www.viega.us).



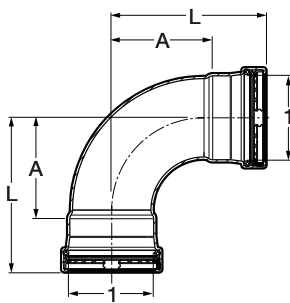
Viega products are designed to be installed by licensed and trained plumbing and mechanical professionals who are familiar with Viega products and their installation. **Installation by non-professionals may void Viega LLC's warranty.**

### Viega ProPress 90° Elbow Copper P x P - Model 2916

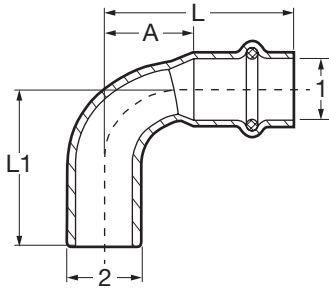


| Part No. | Size (in)  | A (in) | L (in) |
|----------|------------|--------|--------|
|          | <b>1 1</b> |        |        |
| 77317    | ½ x ½      | 0.75   | 1.50   |
| 77022    | ¾ x ¾      | 0.76   | 1.67   |
| 77027    | 1 x 1      | 1.28   | 2.19   |
| 77032    | 1¼ x 1¼    | 1.28   | 2.31   |
| 77037    | 1½ x 1½    | 1.29   | 2.72   |
| 77042    | 2 x 2      | 2.16   | 3.74   |

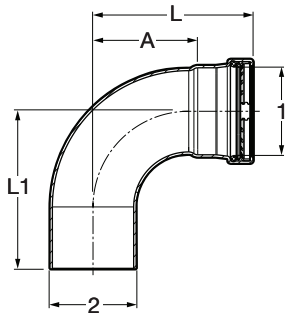
### Viega ProPress 90° Elbow P x P - Model 0916XL



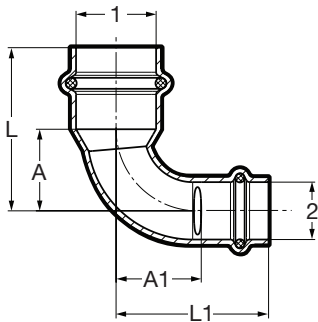
| Part No. | Size (in)  | A (in) | L (in) |
|----------|------------|--------|--------|
|          | <b>1 1</b> |        |        |
| 20623    | 2½ x 2½    | 3.19   | 4.88   |
| 20628    | 3 x 3      | 3.76   | 5.73   |
| 20633    | 4 x 4      | 4.90   | 7.26   |

**Viega ProPress 90° Street Elbow Copper P x FTG - Model 2916.1**


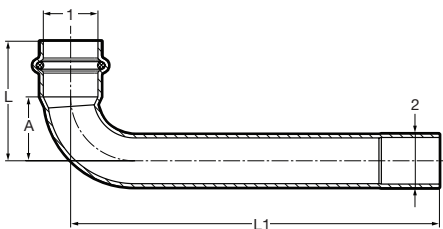
| Part No. | Size (in) |    | A (in) | L (in) | L1 (in) |
|----------|-----------|----|--------|--------|---------|
|          | 1         | 2  |        |        |         |
| 77347    | ½         | ½  | 0.75   | 1.50   | 1.54    |
| 77052    | ¾         | ¾  | 0.76   | 1.67   | 1.83    |
| 77057    | 1         | 1  | 1.28   | 2.19   | 2.27    |
| 77062    | 1¼        | 1¼ | 1.28   | 2.31   | 2.48    |
| 77067    | 1½        | 1½ | 1.29   | 2.72   | 2.80    |
| 77072    | 2         | 2  | 2.16   | 3.74   | 3.78    |

**Viega ProPress 90° Street Elbow P x FTG - Model 0916.1XL**


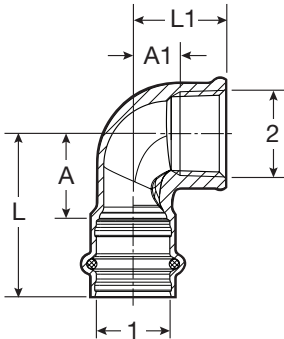
| Part No. | Size (in) |    | A (in) | L (in) | L1 (in) |
|----------|-----------|----|--------|--------|---------|
|          | 1         | 2  |        |        |         |
| 20638    | 2½        | 2½ | 3.19   | 4.88   | 4.80    |
| 20643    | 3         | 3  | 3.76   | 5.73   | 5.63    |
| 20648    | 4         | 4  | 4.90   | 7.26   | 7.13    |

**Viega ProPress 90° Reducing Elbow Copper P x P - Model 2916.3**


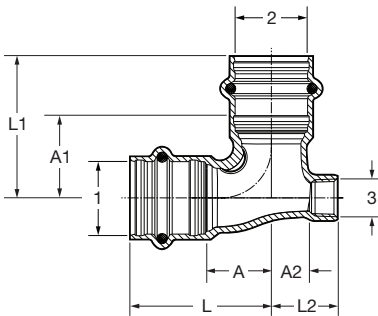
| Part No. | Size (in) |   | A (in) | A1 (in) | L (in) | L1 (in) |
|----------|-----------|---|--------|---------|--------|---------|
|          | 1         | 2 |        |         |        |         |
| 77325    | ¾         | ½ | 0.91   | 0.94    | 1.81   | 1.69    |
| 77330    | 1         | ¾ | 1.20   | 1.30    | 2.11   | 2.21    |

**Viega ProPress 90° Extended Street Elbow Copper P x FTG - Model 2947**


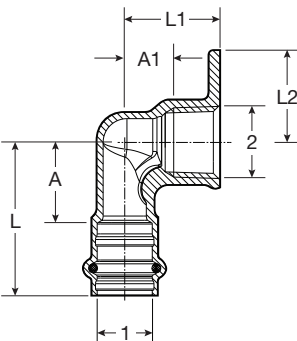
| Part No. | Size (in) |   | A (in) | L (in) | L1 (in) |
|----------|-----------|---|--------|--------|---------|
|          | 1         | 2 |        |        |         |
| 77353    | ¾         | ¾ | 1.02   | 1.93   | 5.98    |

**Viega ProPress 90° Elbow Zero Lead Bronze P x FPT - Model 2914.2ZL**


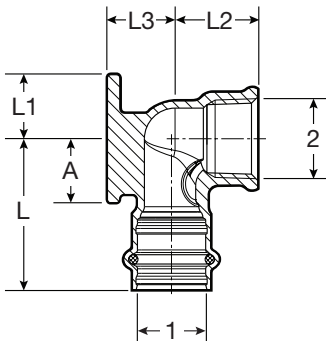
| Part No. | Size (in) |     | A (in) | A1 (in) | L (in) | L1 (in) |
|----------|-----------|-----|--------|---------|--------|---------|
|          | 1         | 2   |        |         |        |         |
| 79520    | ½ x ⅜     | FPT | 0.94   | 0.42    | 1.77   | 0.83    |
| 79525    | ½ x ½     | FPT | 0.94   | 0.57    | 1.77   | 1.10    |
| 79530    | ½ x ¾     | FPT | 1.06   | 0.51    | 1.89   | 1.06    |
| 79535    | ¾ x ½     | FPT | 1.06   | 0.65    | 1.97   | 1.18    |
| 79540    | ¾ x ¾     | FPT | 1.06   | 0.57    | 1.97   | 1.12    |
| 79545    | 1 x ½     | FPT | 1.06   | 0.72    | 1.97   | 1.26    |
| 79550    | 1 x 1     | FPT | 1.34   | 0.76    | 2.24   | 1.42    |
| 79560    | 1¼ x 1¼   | FPT | 1.54   | 0.89    | 2.56   | 1.57    |
| 79565    | 1½ x 1½   | FPT | 1.69   | 1.05    | 3.11   | 1.73    |
| 79570    | 2 x 2     | FPT | 2.17   | 1.35    | 3.74   | 2.05    |

**Viega ProPress Vent Elbow Zero Lead Bronze P x P x FPT - Model 2917.3ZL**


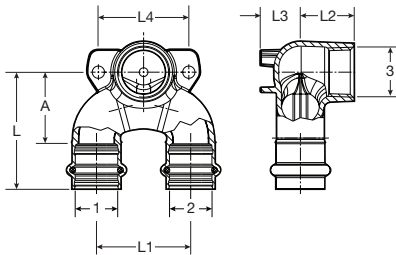
| Part No. | Size (in) |     |      | A (in) | A1 (in) | A2 (in) | L (in) | L1 (in) | L2 (in) |
|----------|-----------|-----|------|--------|---------|---------|--------|---------|---------|
|          | 1         | 2   | 3    |        |         |         |        |         |         |
| 79635    | ½ x ½ x ⅛ | FPT | 0.67 | 0.67   | 0.44    | 1.50    | 1.50   | 0.71    |         |
| 79640    | ¾ x ¾ x ⅛ | FPT | 0.83 | 0.83   | 0.54    | 1.73    | 1.73   | 0.81    |         |

**Viega ProPress 90° Hi Ear Elbow Zero Lead Bronze P x FPT - Model 2925.2ZL**


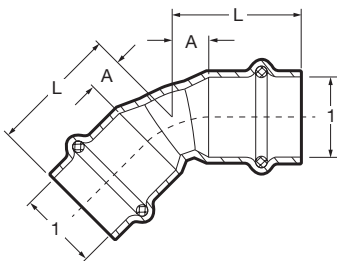
| Part No. | Size (in) |     | A (in) | A1 (in) | L (in) | L1 (in) | L2 (in) |
|----------|-----------|-----|--------|---------|--------|---------|---------|
|          | 1         | 2   |        |         |        |         |         |
| 79205    | ½ x ½     | FPT | 0.94   | 0.57    | 1.77   | 1.10    | 1.07    |

**Viega ProPress 90° Drop Ear Elbow Zero Lead Bronze P X FPT - Model 2925.5ZL**


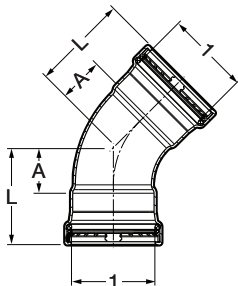
| Part No. | Size (in) |     | A (in) | L (in) | L1 (in) | L2 (in) | L3 (in) |
|----------|-----------|-----|--------|--------|---------|---------|---------|
|          | 1         | 2   |        |        |         |         |         |
| 79185    | ½ x ¾     | FPT | 0.94   | 1.77   | 0.74    | 0.83    | 0.67    |
| 79190    | ½ x ½     | FPT | 0.94   | 1.77   | 0.74    | 1.10    | 0.67    |
| 79195    | ¾ x ¾     | FPT | 1.06   | 1.97   | 0.83    | 1.12    | 0.83    |

**Viega ProPress Double Drop Elbow Zero Lead Bronze P x P x FPT - Model 2928.7ZL**


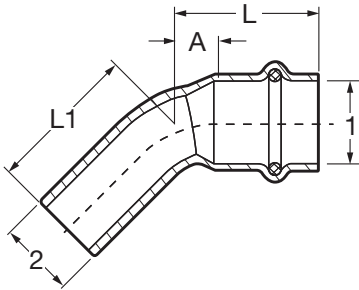
| Part No. | Size (in) |      |      | A (in) | L (in) | L1 (in) | L2 (in) | L3 (in) | L4 (in) |
|----------|-----------|------|------|--------|--------|---------|---------|---------|---------|
|          | 1         | 2    | 3    |        |        |         |         |         |         |
| 78800    | ½ x ½ x ½ | FNPT | 1.34 | 2.17   | 1.97   | 1.10    | 0.67    | 1.57    |         |
| 78802    | ¾ x ¾ x ½ | FNPT | 1.54 | 2.44   | 1.97   | 1.10    | 0.83    | 2.05    |         |
| 78801    | ¾ x ¾ x ¾ | FNPT | 1.54 | 2.44   | 1.97   | 1.12    | 0.83    | 1.89    |         |
| 78803    | 1 x 1 x ½ | FNPT | 1.77 | 2.68   | 2.36   | 1.10    | 0.87    | 2.52    |         |

**Viega ProPress 45° Elbow Copper P x P - Model 2926**


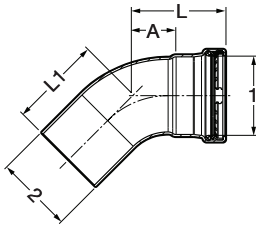
| Part No. | Size (in) |   | A (in) | L (in) |
|----------|-----------|---|--------|--------|
|          | 1         | 1 |        |        |
| 77607    | ½ x ½     |   | 0.30   | 1.04   |
| 77023    | ¾ x ¾     |   | 0.36   | 1.26   |
| 77028    | 1 x 1     |   | 0.47   | 1.38   |
| 77033    | 1¼ x 1¼   |   | 0.58   | 1.61   |
| 77038    | 1½ x 1½   |   | 0.65   | 2.08   |
| 77043    | 2 x 2     |   | 0.86   | 2.44   |

**Viega ProPress 45° P x P - Model 0926XL**


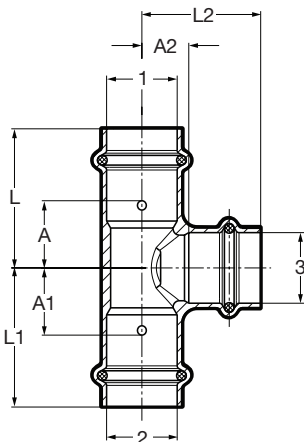
| Part No. | Size (in) |   | A (in) | L (in) |
|----------|-----------|---|--------|--------|
|          | 1         | 1 |        |        |
| 20653    | 2½ x 2½   |   | 1.48   | 3.18   |
| 20658    | 3 x 3     |   | 1.73   | 3.70   |
| 20663    | 4 x 4     |   | 1.96   | 4.63   |

**Viega ProPress 45° Street Elbow Copper P x FTG - Model 2926.1**


| Part No. | Size (in) |       | A (in) | L (in) | L1 (in) |
|----------|-----------|-------|--------|--------|---------|
|          | 1         | 2     |        |        |         |
| 77637    | 1/2       | 1/2   | 0.31   | 1.06   | 1.10    |
| 77053    | 3/4       | 3/4   | 0.36   | 1.26   | 1.30    |
| 77058    | 1         | 1     | 0.47   | 1.38   | 1.49    |
| 77063    | 1 1/4     | 1 1/4 | 0.58   | 1.61   | 1.67    |
| 77068    | 1 1/2     | 1 1/2 | 0.65   | 2.08   | 2.04    |
| 77073    | 2         | 2     | 0.86   | 2.44   | 2.54    |

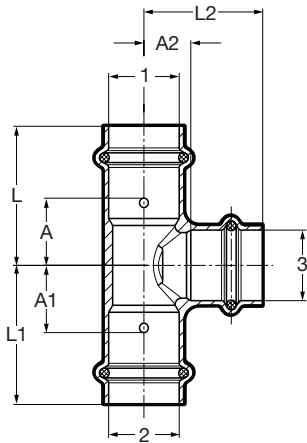
**Viega ProPress 45° Street Elbow P x FTG - Model 0926.1XL**


| Part No. | Size (in) |       | A (in) | L (in) | L1 (in) |
|----------|-----------|-------|--------|--------|---------|
|          | 1         | 2     |        |        |         |
| 20668    | 2 1/2     | 2 1/2 | 1.48   | 3.18   | 3.10    |
| 20673    | 3         | 3     | 1.73   | 3.70   | 3.60    |
| 20678    | 4         | 4     | 2.23   | 4.59   | 4.45    |

**Viega ProPress Tee Copper P x P x P - Model 2918**


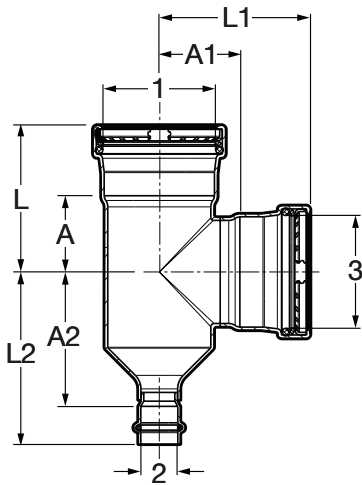
| Part No. | Size (in) |       |       | A (in) | A1 (in) | A2 (in) | L (in) | L1 (in) | L2 (in) |
|----------|-----------|-------|-------|--------|---------|---------|--------|---------|---------|
|          | 1         | 2     | 3     |        |         |         |        |         |         |
| 77377    | 1/2       | 1/2   | 1/2   | 0.75   | 0.75    | 0.50    | 1.50   | 1.50    | 1.25    |
| 77382    | 1/2       | 1/2   | 3/4   | 0.91   | 0.91    | 0.59    | 1.65   | 1.65    | 1.50    |
| 15493    | 1/2       | 1/2   | 1     | 1.10   | 1.10    | 0.55    | 1.85   | 1.85    | 1.46    |
| 77387    | 3/4       | 3/4   | 3/4   | 0.85   | 0.85    | 0.59    | 1.75   | 1.75    | 1.50    |
| 77392    | 3/4       | 1/2   | 1/2   | 0.69   | 0.98    | 0.63    | 1.59   | 1.73    | 1.38    |
| 77397    | 3/4       | 1/2   | 3/4   | 0.85   | 1.14    | 0.59    | 1.75   | 1.89    | 1.50    |
| 77402    | 3/4       | 3/4   | 1/2   | 0.69   | 0.69    | 0.63    | 1.59   | 1.59    | 1.38    |
| 77407    | 3/4       | 3/4   | 1     | 0.97   | 0.97    | 0.63    | 1.87   | 1.87    | 1.54    |
| 77412    | 1         | 1     | 1     | 0.97   | 0.97    | 0.79    | 1.87   | 1.87    | 1.69    |
| 22263    | 1         | 1/2   | 3/4   | 0.85   | 1.24    | 0.75    | 1.76   | 1.99    | 1.66    |
| 94767    | 1         | 1/2   | 1     | 0.97   | 1.52    | 0.79    | 1.87   | 2.26    | 1.69    |
| 77417    | 1         | 3/4   | 1/2   | 0.69   | 0.89    | 0.79    | 1.59   | 1.79    | 1.54    |
| 77422    | 1         | 3/4   | 3/4   | 0.85   | 1.04    | 0.75    | 1.75   | 1.95    | 1.65    |
| 77427    | 1         | 3/4   | 1     | 0.97   | 1.18    | 0.78    | 1.87   | 2.07    | 1.69    |
| 77432    | 1         | 1     | 1/2   | 0.69   | 0.69    | 0.79    | 1.59   | 1.59    | 1.54    |
| 77437    | 1         | 1     | 3/4   | 0.85   | 0.85    | 0.75    | 1.75   | 1.75    | 1.65    |
| 15488    | 1         | 1     | 1 1/4 | 1.16   | 1.16    | 0.84    | 2.07   | 2.07    | 1.87    |
| 77442    | 1 1/4     | 1 1/4 | 1 1/4 | 1.02   | 1.02    | 0.86    | 2.05   | 2.05    | 1.89    |
| 22253    | 1 1/4     | 1/2   | 1 1/4 | 1.02   | 1.77    | 0.87    | 2.05   | 2.52    | 1.89    |
| 22243    | 1 1/4     | 3/4   | 1/2   | 0.64   | 1.13    | 0.93    | 1.68   | 2.03    | 1.68    |
| 22258    | 1 1/4     | 3/4   | 3/4   | 0.76   | 1.30    | 0.87    | 1.80   | 2.21    | 1.78    |
| 22268    | 1 1/4     | 3/4   | 1     | 0.88   | 1.40    | 0.91    | 1.91   | 2.31    | 1.82    |
| 22248    | 1 1/4     | 3/4   | 1 1/4 | 1.02   | 1.54    | 0.86    | 2.05   | 2.45    | 1.89    |
| 22238    | 1 1/4     | 1     | 1/2   | 0.64   | 0.91    | 0.93    | 1.68   | 1.82    | 1.68    |
| 94762    | 1 1/4     | 1     | 3/4   | 0.76   | 1.14    | 0.87    | 1.79   | 2.05    | 1.77    |

Continued on next page

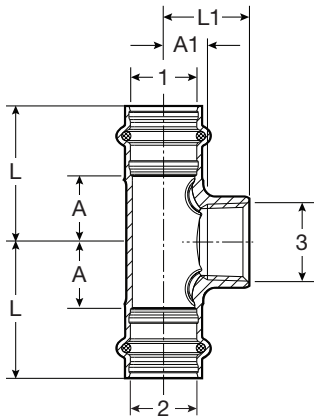
**Viega ProPress Tee Copper P x P x P - Model 2918**


Continued from previous page

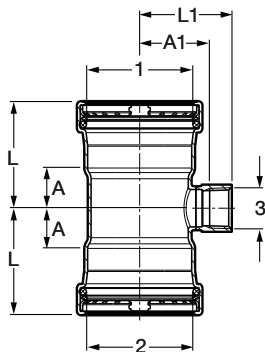
| Part No. | Size (in) |    |    | A (in) | A1 (in) | A2 (in) | L (in) | L1 (in) | L2 (in) |
|----------|-----------|----|----|--------|---------|---------|--------|---------|---------|
|          | 1         | 2  | 3  |        |         |         |        |         |         |
| 14568    | 1¼        | 1  | 1  | 0.88   | 1.28    | 0.91    | 1.91   | 2.19    | 1.81    |
| 94757    | 1¼        | 1¼ | ½  | 0.65   | 0.65    | 0.93    | 1.67   | 1.67    | 1.67    |
| 77452    | 1¼        | 1¼ | ¾  | 0.77   | 0.77    | 0.89    | 1.79   | 1.79    | 1.77    |
| 77447    | 1¼        | 1¼ | 1  | 0.88   | 0.88    | 0.90    | 1.91   | 1.91    | 1.81    |
| 77457    | 1½        | 1½ | 1½ | 1.13   | 1.13    | 1.13    | 2.56   | 2.56    | 2.56    |
| 79660    | 1½        | 1  | ¾  | 0.67   | 1.39    | 1.16    | 2.17   | 2.44    | 2.05    |
| 15458    | 1½        | 1  | 1  | 0.74   | 1.54    | 1.06    | 2.17   | 2.44    | 1.97    |
| 15463    | 1½        | 1  | 1½ | 1.13   | 1.83    | 1.13    | 2.56   | 2.74    | 2.56    |
| 22233    | 1½        | 1¼ | ¾  | 0.67   | 1.08    | 1.15    | 2.09   | 2.11    | 2.05    |
| 15453    | 1½        | 1¼ | 1  | 0.74   | 1.29    | 1.18    | 2.17   | 2.32    | 2.09    |
| 15483    | 1½        | 1¼ | 1¼ | 0.86   | 1.33    | 1.13    | 2.28   | 2.36    | 2.17    |
| 15448    | 1½        | 1½ | ½  | 0.47   | 0.47    | 1.10    | 1.89   | 1.89    | 1.85    |
| 77462    | 1½        | 1½ | ¾  | 0.66   | 0.66    | 1.14    | 2.09   | 2.09    | 2.05    |
| 77467    | 1½        | 1½ | 1  | 0.74   | 0.74    | 1.18    | 2.17   | 2.17    | 2.09    |
| 77472    | 1½        | 1½ | 1¼ | 0.86   | 0.86    | 1.13    | 2.28   | 2.28    | 2.17    |
| 77477    | 2         | 2  | 2  | 1.37   | 1.37    | 1.37    | 2.95   | 2.95    | 2.95    |
| 15518    | 2         | 1¼ | 1¼ | 0.94   | 1.84    | 1.33    | 2.52   | 2.87    | 2.36    |
| 15513    | 2         | 1½ | ¾  | 0.70   | 1.25    | 1.38    | 2.28   | 2.68    | 2.28    |
| 15498    | 2         | 1½ | 1  | 0.82   | 1.45    | 1.38    | 2.40   | 2.87    | 2.28    |
| 15508    | 2         | 1½ | 1¼ | 0.94   | 1.55    | 1.49    | 2.52   | 2.97    | 2.52    |
| 15503    | 2         | 1½ | 1½ | 1.13   | 1.65    | 1.37    | 2.72   | 3.07    | 2.80    |
| 22228    | 2         | 1½ | 2  | 1.38   | 1.89    | 1.38    | 2.95   | 3.33    | 2.95    |
| 15538    | 2         | 2  | ½  | 0.54   | 0.54    | 1.30    | 2.13   | 2.13    | 2.05    |
| 94777    | 2         | 2  | ¾  | 0.79   | 0.79    | 1.26    | 2.37   | 2.37    | 2.17    |
| 94772    | 2         | 2  | 1  | 0.91   | 0.91    | 1.30    | 2.49   | 2.49    | 2.21    |
| 77487    | 2         | 2  | 1¼ | 1.04   | 1.04    | 1.37    | 2.62   | 2.62    | 2.40    |
| 77482    | 2         | 2  | 1½ | 1.13   | 1.13    | 1.37    | 2.72   | 2.72    | 2.80    |

**Viega ProPress Tee P x P x P - Model 0918XL**


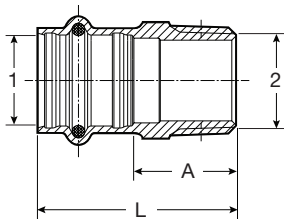
| Part No. | Size |    |    | A (in) | A1 (in) | A2 (in) | L (in) | L1 (in) | L2 (in) |
|----------|------|----|----|--------|---------|---------|--------|---------|---------|
|          | 1    | 2  | 3  |        |         |         |        |         |         |
| 20684    | 2½   | ¾  | 2½ | 1.83   | 1.91    | 3.23    | 3.52   | 3.60    | 4.13    |
| 20689    | 2½   | 1  | 2½ | 1.83   | 1.91    | 3.25    | 3.52   | 3.60    | 4.15    |
| 20694    | 2½   | 1¼ | 2½ | 1.83   | 1.91    | 3.20    | 3.52   | 3.60    | 4.23    |
| 20699    | 2½   | 1½ | 2½ | 1.83   | 1.91    | 3.14    | 3.52   | 3.60    | 4.57    |
| 20704    | 2½   | 2  | ¾  | 1.04   | 1.61    | 1.59    | 2.74   | 2.52    | 3.17    |
| 20709    | 2½   | 2  | 1  | 1.04   | 1.77    | 1.65    | 2.74   | 2.67    | 3.24    |
| 22283    | 2½   | 2  | 1½ | 1.30   | 1.78    | 2.07    | 2.99   | 3.20    | 3.66    |
| 22278    | 2½   | 2  | 2  | 1.50   | 1.78    | 2.25    | 3.19   | 3.36    | 3.83    |
| 20714    | 2½   | 2  | 2½ | 1.83   | 1.91    | 2.41    | 3.52   | 3.60    | 4.00    |
| 22303    | 2½   | 2½ | ½  | 0.91   | 1.52    | 0.91    | 2.60   | 2.27    | 2.60    |
| 22298    | 2½   | 2½ | ¾  | 0.91   | 1.58    | 0.91    | 2.60   | 2.48    | 2.60    |
| 22293    | 2½   | 2½ | 1  | 1.04   | 1.77    | 1.04    | 2.74   | 2.68    | 2.74    |
| 22288    | 2½   | 2½ | 1¼ | 1.16   | 1.76    | 1.16    | 2.85   | 2.79    | 2.85    |
| 20803    | 2½   | 2½ | 1½ | 1.30   | 1.78    | 1.30    | 2.99   | 3.21    | 2.99    |
| 20688    | 2½   | 2½ | 2  | 1.54   | 1.75    | 1.54    | 3.23   | 3.34    | 3.23    |
| 20683    | 2½   | 2½ | 2½ | 1.83   | 1.94    | 1.83    | 3.52   | 3.63    | 3.52    |
| 20719    | 3    | ¾  | 3  | 2.07   | 2.15    | 3.82    | 4.04   | 4.11    | 4.72    |
| 20724    | 3    | 1  | 3  | 2.07   | 2.15    | 3.96    | 4.04   | 4.11    | 4.86    |
| 20729    | 3    | 1¼ | 3  | 2.07   | 2.15    | 3.83    | 4.04   | 4.11    | 4.86    |
| 20727    | 3    | 1½ | 3  | 2.07   | 2.15    | 3.71    | 4.04   | 4.11    | 5.14    |
| 20732    | 3    | 2  | 2  | 1.56   | 2.03    | 2.33    | 3.52   | 3.61    | 3.92    |
| 20734    | 3    | 2  | 2½ | 1.85   | 2.15    | 2.63    | 3.82   | 3.85    | 4.21    |
| 20739    | 3    | 2  | 3  | 2.07   | 2.15    | 2.84    | 4.04   | 4.11    | 4.43    |
| 20744    | 3    | 2½ | 2  | 1.56   | 2.03    | 2.07    | 3.52   | 3.61    | 3.76    |
| 20749    | 3    | 2½ | 2½ | 1.85   | 2.15    | 2.56    | 3.82   | 3.85    | 4.25    |
| 20754    | 3    | 2½ | 3  | 2.07   | 2.15    | 2.78    | 4.04   | 4.11    | 4.47    |
| 20759    | 3    | 3  | ½  | 0.93   | 1.76    | 0.93    | 2.89   | 2.50    | 2.89    |
| 22323    | 3    | 3  | ¾  | 0.93   | 1.80    | 0.93    | 2.89   | 2.71    | 2.89    |
| 22308    | 3    | 3  | 1  | 1.06   | 2.02    | 1.06    | 3.03   | 2.92    | 3.03    |
| 22313    | 3    | 3  | 1¼ | 1.18   | 2.01    | 1.18    | 3.15   | 3.04    | 3.15    |
| 20798    | 3    | 3  | 1½ | 1.32   | 2.03    | 1.32    | 3.29   | 3.45    | 3.29    |
| 20698    | 3    | 3  | 2  | 1.56   | 2.00    | 1.56    | 3.52   | 3.59    | 3.52    |
| 20703    | 3    | 3  | 2½ | 1.85   | 2.15    | 1.85    | 3.82   | 3.85    | 3.82    |
| 20693    | 3    | 3  | 3  | 2.07   | 2.21    | 2.07    | 4.04   | 4.18    | 4.04    |
| 20774    | 4    | 3  | 2  | 1.59   | 2.57    | 3.33    | 3.96   | 4.15    | 5.22    |
| 20784    | 4    | 3  | 3  | 2.11   | 2.66    | 3.84    | 4.47   | 4.63    | 5.81    |
| 20788    | 4    | 4" | ½  | 1.08   | 2.24    | 1.08    | 3.45   | 2.99    | 3.45    |
| 20793    | 4    | 4  | ¾  | 1.08   | 2.32    | 1.08    | 3.45   | 3.22    | 3.45    |
| 20794    | 4    | 4  | 1  | 1.36   | 2.52    | 1.36    | 3.72   | 3.42    | 3.72    |
| 20795    | 4    | 4  | 1¼ | 1.36   | 2.50    | 1.36    | 3.72   | 3.54    | 3.72    |
| 20808    | 4    | 4  | 1½ | 1.36   | 2.52    | 1.36    | 3.72   | 3.95    | 3.72    |
| 20713    | 4    | 4  | 2  | 1.59   | 2.53    | 1.59    | 3.96   | 4.11    | 3.96    |
| 20718    | 4    | 4  | 2½ | 1.89   | 2.65    | 1.89    | 4.25   | 4.35    | 4.25    |
| 20723    | 4    | 4  | 3  | 2.11   | 2.69    | 2.11    | 4.47   | 4.65    | 4.47    |
| 20708    | 4    | 4  | 4  | 2.60   | 2.72    | 2.60    | 4.96   | 5.09    | 4.96    |

**Viega ProPress Tee Zero Lead Bronze P x P x FPT - Model 2917.2ZL**


| Part No. | Size (in) |    |   | A (in) | A1 (in) | L (in) | L1 (in) |
|----------|-----------|----|---|--------|---------|--------|---------|
|          | 1         | 2  | 3 |        |         |        |         |
| 79580    | ½         | ½  | ½ | 0.79   | 0.69    | 1.61   | 1.30    |
| 79585    | ¾         | ¾  | ¼ | 0.67   | 0.79    | 1.57   | 1.18    |
| 79590    | ¾         | ¾  | ½ | 0.79   | 0.88    | 1.69   | 1.42    |
| 79595    | ¾         | ¾  | ¾ | 0.91   | 0.59    | 1.81   | 1.14    |
| 79760    | 1         | 1  | ½ | 0.79   | 1.04    | 1.69   | 1.57    |
| 79765    | 1         | 1  | ¾ | 0.91   | 1.06    | 1.81   | 1.61    |
| 79770    | 1¼        | 1¼ | ½ | 0.83   | 1.16    | 1.85   | 1.69    |
| 79775    | 1¼        | 1¼ | ¾ | 0.95   | 1.18    | 1.97   | 1.73    |
| 79780    | 1½        | 1½ | ½ | 0.87   | 1.24    | 2.28   | 1.77    |
| 79785    | 1½        | 1½ | ¾ | 0.94   | 1.30    | 2.36   | 1.85    |
| 79790    | 2         | 2  | ½ | 0.98   | 1.59    | 2.56   | 2.13    |
| 79795    | 2         | 2  | ¾ | 1.06   | 1.65    | 2.64   | 2.20    |

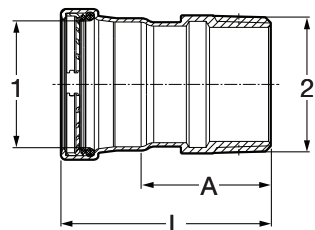
**Viega ProPress Tee P x P x FPT - Model 0917.2XL**


| Part No. | Size |    |   | A (in) | A1 (in) | L (in) | L1 (in) |
|----------|------|----|---|--------|---------|--------|---------|
|          | 1    | 2  | 3 |        |         |        |         |
| 20883    | 2½   | 2½ | ¾ | 1.02   | 1.78    | 2.72   | 2.34    |
| 20878    | 2½   | 2½ | 2 | 1.54   | 1.90    | 3.23   | 2.60    |
| 20893    | 3    | 3  | ¾ | 1.04   | 2.03    | 3.01   | 2.59    |
| 20888    | 3    | 3  | 2 | 1.56   | 2.16    | 3.52   | 2.85    |
| 20873    | 4    | 4  | ¾ | 1.08   | 2.53    | 3.34   | 3.09    |
| 20868    | 4    | 4  | 2 | 1.59   | 2.69    | 3.96   | 3.38    |

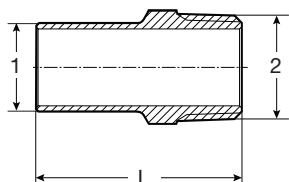
**Viega ProPress Adapter Zero Lead Bronze P x MPT - Model 2911ZL**


| Part No. | Size (in) |    | A (in) | L (in) |
|----------|-----------|----|--------|--------|
|          | 1         | 2  |        |        |
| 79210    | ½         | ¾  | 0.77   | 1.59   |
| 79215    | ½         | ½  | 0.89   | 1.71   |
| 79220    | ½         | ¾  | 1.00   | 1.83   |
| 79225    | ¾         | ½  | 1.02   | 1.93   |
| 79230    | ¾         | ¾  | 1.02   | 1.93   |
| 79235    | ¾         | 1  | 1.18   | 2.09   |
| 79240    | 1         | ¾  | 1.18   | 2.09   |
| 79245    | 1         | 1  | 1.26   | 2.17   |
| 79250    | 1         | 1¼ | 1.54   | 2.44   |
| 79255    | 1¼        | 1  | 1.22   | 2.24   |
| 79260    | 1¼        | 1¼ | 1.34   | 2.36   |
| 79265    | 1¼        | 1½ | 1.48   | 2.50   |
| 79270    | 1½        | 1¼ | 1.34   | 2.76   |
| 79275    | 1½        | 1½ | 1.28   | 2.70   |
| 79280    | 1½        | 2  | 1.65   | 3.07   |
| 79285    | 2         | 1½ | 1.54   | 3.11   |
| 79290    | 2         | 2  | 1.50   | 3.07   |

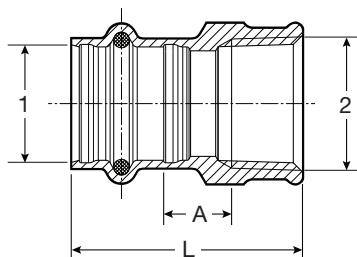


**Viega ProPress Adapter P x MPT - Model 0911XL**


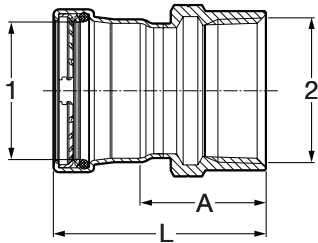
| Part No. | Size (in) |        | A (in) | L (in) |
|----------|-----------|--------|--------|--------|
|          | 1         | 2      |        |        |
| 20823    | 2½        | 2½ MPT | 2.76   | 4.45   |
| 20828    | 3         | 3 MPT  | 2.84   | 4.80   |
| 20838    | 4         | 4 MPT  | 3.10   | 5.46   |

**Viega ProPress Adapter Zero Lead Bronze FTG x MPT - Model 2911.1ZL**


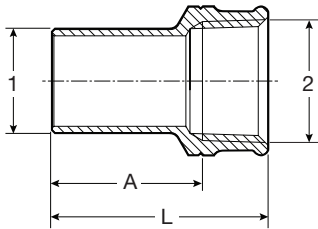
| Part No. | Size (in) |        | L (in) |
|----------|-----------|--------|--------|
|          | 1         | 2      |        |
| 79375    | ½         | ¾ MPT  | 1.75   |
| 79380    | ½         | ½ MPT  | 1.95   |
| 79385    | ½         | ¾ MPT  | 2.05   |
| 79390    | ¾         | ½ MPT  | 1.93   |
| 79395    | ¾         | ¾ MPT  | 2.05   |
| 79400    | 1         | ¾ MPT  | 2.05   |
| 79405    | 1         | 1 MPT  | 2.22   |
| 79410    | 1¼        | 1¼ MPT | 2.54   |
| 79415    | 1½        | 1½ MPT | 2.89   |
| 79420    | 2         | 2 MPT  | 3.33   |

**Viega ProPress Adapter Zero Lead Bronze P x FPT - Model 2912ZL**


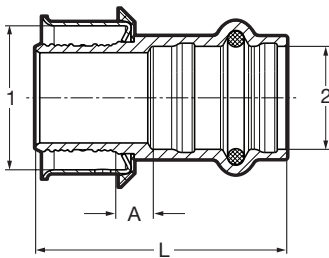
| Part No. | Size (in) |        | A (in) | L (in) |
|----------|-----------|--------|--------|--------|
|          | 1         | 2      |        |        |
| 79295    | ½         | ¾ FPT  | 0.19   | 1.42   |
| 79300    | ½         | ½ FPT  | 0.25   | 1.61   |
| 79305    | ½         | ¾ FPT  | 0.27   | 1.65   |
| 79310    | ¾         | ½ FPT  | 0.33   | 1.77   |
| 79315    | ¾         | ¾ FPT  | 0.35   | 1.81   |
| 79320    | 1         | ½ FPT  | 0.41   | 1.85   |
| 79325    | 1         | ¾ FPT  | 0.39   | 1.85   |
| 79330    | 1         | 1 FPT  | 0.44   | 2.01   |
| 79335    | 1         | 1¼ FPT | 0.50   | 2.09   |
| 79340    | 1¼        | ½ FPT  | 0.37   | 1.93   |
| 79345    | 1¼        | 1 FPT  | 0.24   | 1.93   |
| 79350    | 1¼        | 1¼ FPT | 0.34   | 2.05   |
| 79355    | 1¼        | 1½ FPT | 0.42   | 2.13   |
| 79360    | 1½        | 1¼ FPT | 0.26   | 2.36   |
| 79365    | 1½        | 1½ FPT | 0.34   | 2.44   |
| 79370    | 2         | 2 FPT  | 0.41   | 2.68   |

**Viega ProPress Adapter P x FPT - Model 0912XL**


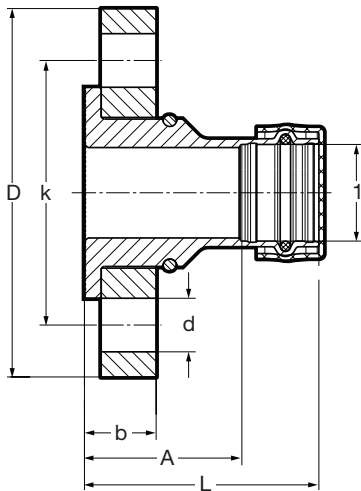
| Part No. | Size (in)   | A (in) | L (in) |
|----------|-------------|--------|--------|
|          | 1 2         |        |        |
| 20819    | 2½ x 2½ FPT | 1.53   | 4.15   |
| 20829    | 3 x 3 FPT   | 1.84   | 4.82   |
| 20839    | 4 x 4 FPT   | 2.09   | 5.55   |

**Viega ProPress Adapter Zero Lead Bronze FTG x FPT - Model 2912.1ZL**


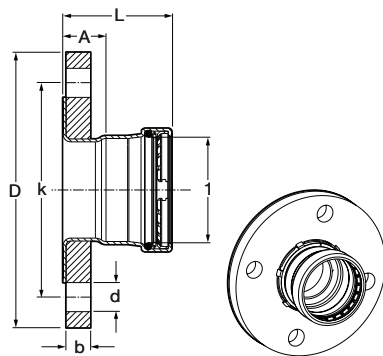
| Part No. | Size (in)   | A (in) | L (in) |
|----------|-------------|--------|--------|
|          | 1 2         |        |        |
| 79425    | ½ x ¾ FPT   | 1.10   | 1.54   |
| 79430    | ½ x ½ FPT   | 1.22   | 1.75   |
| 79435    | ½ x ¾ FPT   | 1.30   | 1.83   |
| 79440    | ¾ x ½ FPT   | 1.26   | 1.79   |
| 79445    | ¾ x ¾ FPT   | 1.28   | 1.83   |
| 79455    | 1 x ½ FPT   | 1.35   | 1.99   |
| 79450    | 1 x 1 FPT   | 1.33   | 1.99   |
| 79460    | 1¼ x ½ FPT  | 1.65   | 2.19   |
| 79465    | 1¼ x 1¼ FPT | 1.50   | 2.19   |
| 79470    | 1½ x 1½ FPT | 1.88   | 2.56   |
| 79475    | 2 x 2 FPT   | 2.13   | 2.95   |

**Viega PEX Press Adapter Zero Lead Bronze P x P - Model 2813PZL**


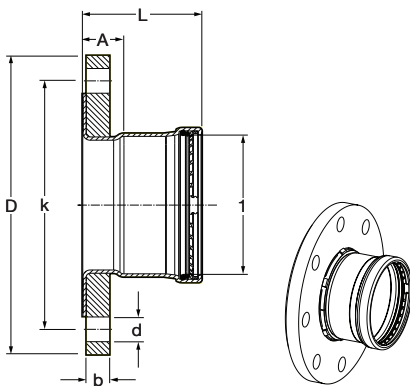
| Part No. | Size (in) | A (in) | L (in) |
|----------|-----------|--------|--------|
|          | 1 2       |        |        |
| 99620    | ½ x ½     | 0.29   | 1.61   |
| 99626    | ½ x ¾     | 0.43   | 1.83   |
| 99630    | ¾ x ½     | 0.23   | 1.56   |
| 99640    | ¾ x ¾     | 0.33   | 1.73   |
| 99645    | 1 x ¾     | 0.35   | 1.87   |
| 99660    | 1 x 1     | 0.45   | 1.97   |
| 99665    | 1¼ x 1    | 0.49   | 2.26   |
| 99670    | 1¼ x 1¼   | 0.49   | 2.38   |
| 66675    | 1½ x 1    | 0.59   | 2.36   |
| 99680    | 1½ x 1½   | 0.59   | 2.87   |
| 99685    | 2 x 1     | 0.73   | 2.68   |
| 99690    | 2 x 2     | 0.59   | 3.21   |

**Viega ProPress Adapter Flange Zero Lead Bronze P x Flange - Model 2959.5ZL**


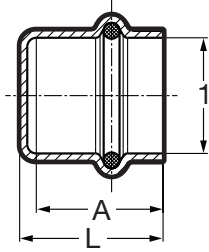
| Part No. | Size (in) | A (in) | L (in) | b (in) | D (in) | k (in) | d (in) |
|----------|-----------|--------|--------|--------|--------|--------|--------|
| <b>1</b> |           |        |        |        |        |        |        |
| 79680    | 1         | 1.85   | 2.76   | 0.84   | 4.33   | 3.11   | 0.63   |
| 79685    | 1¼        | 1.73   | 2.76   | 0.84   | 4.53   | 3.50   | 0.63   |
| 79690    | 1½        | 1.65   | 3.07   | 0.84   | 4.92   | 3.86   | 0.63   |
| 79695    | 2         | 2.09   | 3.66   | 0.84   | 5.91   | 4.76   | 0.75   |

**Viega ProPress Adapter Flange P x Flange - Model 0959.5XL**


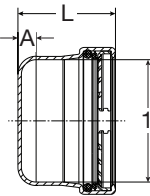
| Part No. | Size (in) | A (in) | L (in) | b (in) | k (in) | D (in) | d (in) |
|----------|-----------|--------|--------|--------|--------|--------|--------|
| <b>1</b> |           |        |        |        |        |        |        |
| 20853    | 2½        | 1.09   | 2.79   | 0.70   | 5.51   | 7.09   | 0.75   |
| 20858    | 3         | 1.20   | 3.17   | 0.79   | 5.98   | 7.48   | 0.75   |

**Viega ProPress Adapter Flange P x Flange - Model 0959.5XL**


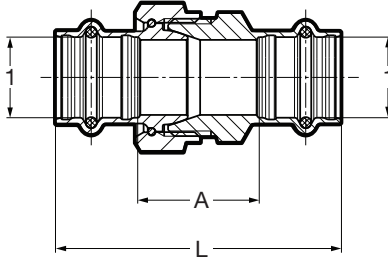
| Part No. | Size (in) | A (in) | L (in) | b (in) | k (in) | D (in) | d (in) |
|----------|-----------|--------|--------|--------|--------|--------|--------|
| <b>1</b> |           |        |        |        |        |        |        |
| 20863    | 4         | 1.29   | 3.66   | 0.86   | 7.52   | 9.06   | 0.75   |

**Viega ProPress Cap Copper P - Model 2956**


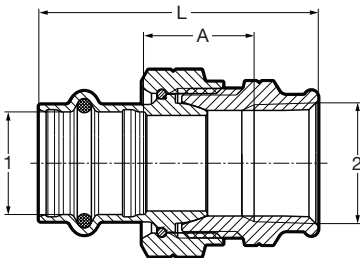
| Part No. | Size (in) | A (in) | L (in) |
|----------|-----------|--------|--------|
|          | <b>1</b>  |        |        |
| 77712    | 1/2       | 0.79   | 0.92   |
| 77717    | 3/4       | 0.94   | 1.07   |
| 77722    | 1         | 0.99   | 1.11   |
| 77727    | 1 1/4     | 1.20   | 1.32   |
| 77732    | 1 1/2     | 1.49   | 1.62   |
| 77737    | 2         | 1.69   | 1.81   |

**Viega ProPress Cap P - Model 0956XL**


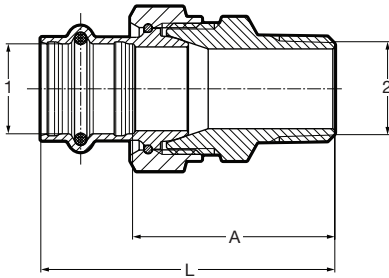
| Part No. | Size     | A (in) | L (in) |
|----------|----------|--------|--------|
|          | <b>1</b> |        |        |
| 20833    | 2 1/2    | 0.39   | 2.11   |
| 20843    | 3        | 0.39   | 2.36   |
| 20848    | 4        | 0.39   | 2.76   |

**Viega ProPress Union Zero Lead Bronze P x P - Model 2960ZL**


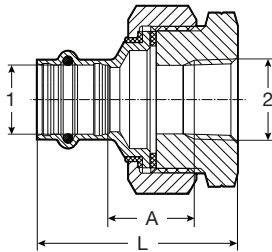
| Part No. | Size (in) | A (in) | L (in) |
|----------|-----------|--------|--------|
|          | <b>1</b>  |        |        |
| 79125    | 1/2       | 1.19   | 2.84   |
| 79130    | 3/4       | 1.34   | 3.15   |
| 79135    | 1         | 1.83   | 3.65   |
| 79140    | 1 1/4     | 1.64   | 3.69   |
| 79145    | 1 1/2     | 2.13   | 4.96   |
| 79150    | 2         | 2.07   | 5.22   |

**Viega ProPress Union Zero Lead Bronze P x FPT - Model 2962ZL**


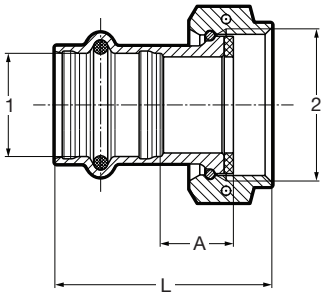
| Part No. | Size (in)         | A (in) | L (in) |
|----------|-------------------|--------|--------|
|          | <b>1 2</b>        |        |        |
| 79700    | 1/2 x 1/2 FPT     | 0.91   | 2.27   |
| 79705    | 3/4 x 3/4 FPT     | 0.96   | 2.42   |
| 79710    | 1 x 1 FPT         | 1.31   | 2.88   |
| 79715    | 1 1/4 x 1 1/4 FPT | 1.27   | 2.97   |
| 79720    | 1 1/2 x 1 1/2 FPT | 1.77   | 3.87   |
| 79725    | 2 x 2 FPT         | 1.65   | 3.92   |

**Viega ProPress Union Zero Lead Bronze P x MPT - Model 2965ZL**


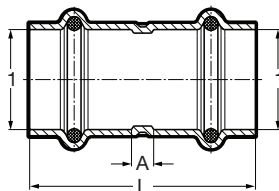
| Part No. | Size (in) |     | A (in) | L (in) |
|----------|-----------|-----|--------|--------|
|          | 1         | 2   |        |        |
| 79730    | ½ x ½     | MPT | 1.86   | 2.69   |
| 79735    | ¾ x ¾     | MPT | 2.00   | 2.90   |
| 79740    | 1 x 1     | MPT | 2.54   | 3.45   |
| 79745    | 1¼ x 1¼   | MPT | 2.49   | 3.52   |
| 79750    | 1½ x 1½   | MPT | 3.05   | 4.47   |
| 79755    | 2 x 2     | MPT | 2.99   | 4.57   |

**Viega ProPress Dielectric Union Zero Lead Bronze P x FPT - Model 2967ZL**


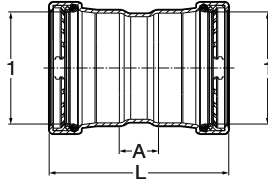
| Part No. | Size (in) |     | A (in) | L (in) |
|----------|-----------|-----|--------|--------|
|          | 1         | 2   |        |        |
| 79155    | ½ x ½     | FPT | 0.88   | 2.24   |
| 79160    | ¾ x ¾     | FPT | 1.11   | 2.57   |
| 79165    | 1 x 1     | FPT | 1.00   | 2.57   |
| 79170    | 1¼ x 1¼   | FPT | 0.97   | 2.68   |
| 79175    | 1½ x 1½   | FPT | 1.01   | 3.11   |
| 79180    | 2 x 2     | FPT | 1.26   | 3.53   |

**Viega ProPress Tailpiece Zero Lead Bronze P x F BSP - Model 2957ZL**


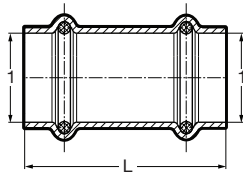
| Part No. | Size (in) |     | A (in) | L (in) |
|----------|-----------|-----|--------|--------|
|          | 1         | 2   |        |        |
| 79800    | ½ x 1     | BSP | 0.39   | 1.57   |
| 79805    | ¾ x 1     | BSP | 0.63   | 1.87   |
| 79810    | 1 x 1     | BSP | 0.91   | 2.14   |
| 79815    | 1 x 1¼    | BSP | 0.73   | 2.04   |

**Viega ProPress Coupling with Stop Copper P x P - Model 2915**


| Part No. | Size (in) |   | A (in) | L (in) |
|----------|-----------|---|--------|--------|
|          | 1         | 1 |        |        |
| 78047    | ½ x ½     |   | 0.12   | 1.61   |
| 78052    | ¾ x ¾     |   | 0.20   | 2.01   |
| 78057    | 1 x 1     |   | 0.16   | 1.97   |
| 78062    | 1¼ x 1¼   |   | 0.14   | 2.20   |
| 78067    | 1½ x 1½   |   | 0.14   | 2.99   |
| 78072    | 2 x 2     |   | 0.14   | 3.31   |

**Viega ProPress Coupling with Stop P x P - Model 0915XL**


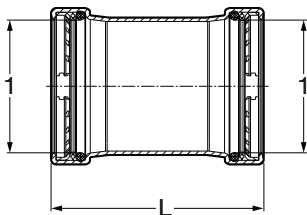
| Part No. | Size (in) | A (in) | L (in) |
|----------|-----------|--------|--------|
|          | 1 1       |        |        |
| 20728    | 2½ x 2½   | 0.95   | 4.33   |
| 20733    | 3 x 3     | 0.98   | 4.92   |
| 20738    | 4 x 4     | 1.06   | 5.79   |

**Viega ProPress Coupling No Stop Copper P x P - Model 2915.3**


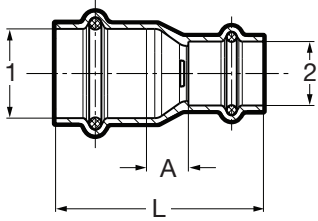
| Part No. | Size (in) | L (in) |
|----------|-----------|--------|
|          | 1 1       |        |
| 78172    | ½ x ½     | 1.61   |
| 78177    | ¾ x ¾     | 2.01   |
| 78182    | 1 x 1     | 1.97   |
| 78187    | 1¼ x 1¼   | 2.20   |
| 78192    | 1½ x 1½   | 2.99   |
| 78197    | 2 x 2     | 3.31   |

**Viega ProPress Extended Coupling Copper P x P - Model 2915.5**

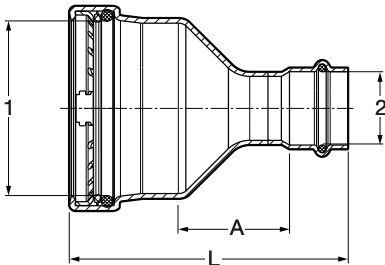

| Part No. | Size (in) | L (in) |
|----------|-----------|--------|
|          | 1 1       |        |
| 79005    | ½ x ½     | 2.99   |
| 79010    | ¾ x ¾     | 3.50   |
| 79015    | 1 x 1     | 3.74   |
| 79020    | 1¼ x 1¼   | 4.13   |
| 79025    | 1½ x 1½   | 4.72   |
| 79030    | 2 x 2     | 5.31   |

**Viega ProPress Coupling No Stop P x P - Model 0915.5XL**


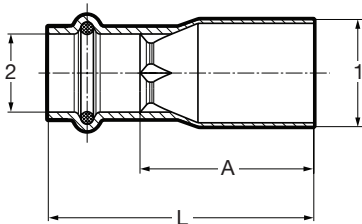
| Part No. | Size (in) | L (in) |
|----------|-----------|--------|
|          | 1 1       |        |
| 20743    | 2½ x 2½   | 4.33   |
| 20748    | 3 x 3     | 4.92   |
| 20753    | 4 x 4     | 5.79   |

**Viega ProPress Reducer Copper P x P - Model 2915.2**


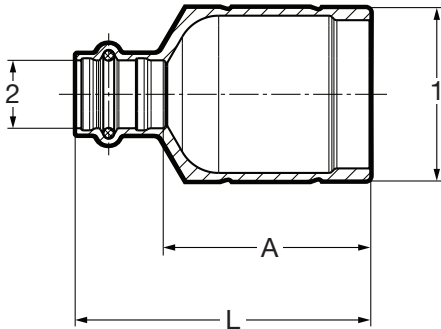
| Part No. | Size (in) |    | A (in) | L (in) |
|----------|-----------|----|--------|--------|
|          | 1         | 2  |        |        |
| 78147    | ¾         | ½  | 0.42   | 2.07   |
| 15603    | 1         | ½  | 0.71   | 2.36   |
| 78152    | 1         | ¾  | 0.48   | 2.29   |
| 15593    | 1½        | ¾  | 0.70   | 2.64   |
| 78157    | 1½        | 1  | 0.55   | 2.48   |
| 18473    | 1½        | ¾  | 0.98   | 3.33   |
| 15588    | 1½        | 1  | 0.74   | 3.07   |
| 78162    | 1½        | 1¼ | 0.50   | 2.96   |
| 18468    | 2         | ¾  | 1.54   | 4.02   |
| 15608    | 2         | 1  | 1.29   | 3.78   |
| 22328    | 2         | 1¼ | 0.81   | 3.43   |
| 78167    | 2         | 1½ | 0.74   | 3.75   |

**Viega ProPress Reducer P x P - Model 0915.2XL**


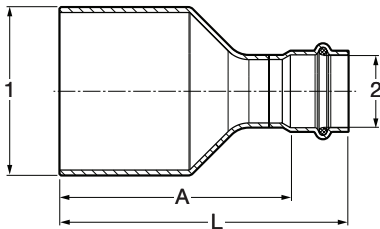
| Part No. | Size (in) |    | A (in) | L (in) |
|----------|-----------|----|--------|--------|
|          | 1         | 2  |        |        |
| 20685    | 2½        | 1  | 1.76   | 4.36   |
| 20690    | 2½        | 1¼ | 1.61   | 4.34   |
| 20695    | 2½        | 1½ | 1.52   | 4.64   |
| 20700    | 2½        | 2  | 1.41   | 4.69   |
| 20705    | 3         | 1½ | 1.78   | 5.17   |
| 20710    | 3         | 2  | 1.53   | 5.08   |
| 20715    | 3         | 2½ | 1.41   | 5.07   |
| 20720    | 4         | 2  | 2.06   | 6.00   |
| 20725    | 4         | 2½ | 1.93   | 5.99   |
| 20730    | 4         | 3  | 1.70   | 6.03   |

**Viega ProPress Reducer Copper FTG x P - Model 2915.1**


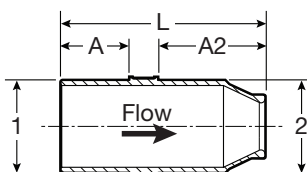
| Part No. | Size (in) |    | A (in) | L (in) |
|----------|-----------|----|--------|--------|
|          | 1         | 2  |        |        |
| 78077    | ¾         | ½  | 1.42   | 2.17   |
| 78082    | 1         | ½  | 1.69   | 2.44   |
| 78087    | 1         | ¾  | 1.42   | 2.32   |
| 22333    | 1¼        | ½  | 1.91   | 2.74   |
| 78092    | 1¼        | ¾  | 1.85   | 2.76   |
| 78097    | 1¼        | 1  | 1.57   | 2.48   |
| 14543    | 1½        | ¾  | 2.56   | 3.46   |
| 78102    | 1½        | 1  | 2.28   | 3.19   |
| 78107    | 1½        | 1¼ | 2.04   | 3.07   |
| 78112    | 2         | 1  | 3.03   | 3.94   |
| 78117    | 2         | 1¼ | 2.79   | 3.82   |
| 78122    | 2         | 1½ | 2.63   | 4.06   |

**Viega ProPress Reducer Zero Lead Bronze FTG x P - Model 2915.1ZL**


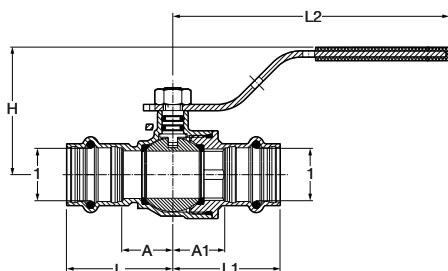
| Part No. | Size (in) |   | A (in) | L (in) |
|----------|-----------|---|--------|--------|
|          | 1         | 2 |        |        |
| 79850    | 1½        | ½ | 1.95   | 2.78   |
| 79855    | 2         | ½ | 2.38   | 3.21   |
| 79860    | 2         | ¾ | 2.42   | 3.33   |

**Viega ProPress Reducer FTG x P - Model 0915.1XL**


| Part No. | Size (in) |    | A (in) | L (in) |
|----------|-----------|----|--------|--------|
|          | 1         | 2  |        |        |
| 20814    | 2½        | 1  | 3.61   | 4.52   |
| 20815    | 2½        | 1¼ | 3.47   | 4.51   |
| 20813    | 2½        | 1½ | 3.41   | 4.84   |
| 20758    | 2½        | 2  | 2.35   | 3.94   |
| 20817    | 3         | 1¼ | 3.96   | 5.00   |
| 20818    | 3         | 1½ | 3.91   | 5.34   |
| 20763    | 3         | 2  | 2.98   | 4.57   |
| 20768    | 3         | 2½ | 2.76   | 4.45   |
| 20773    | 4         | 2  | 4.58   | 6.17   |
| 20778    | 4         | 2½ | 4.45   | 6.15   |
| 20783    | 4         | 3  | 4.17   | 6.14   |

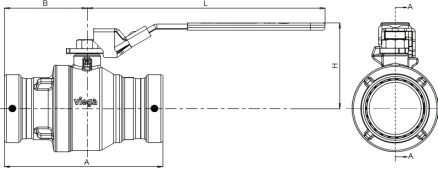
**Viega ProPress Venturi Insert Zero Lead Bronze - Model 2911.5ZL**


| Part No. | Size (in) |    | A (in) | A2 (in) | L (in) |
|----------|-----------|----|--------|---------|--------|
|          | 1         | 2  |        |         |        |
| 78810    | 1¼        | 1¼ | 1.02   | 1.60    | 3.07   |
| 78811    | 1½        | 1½ | 1.43   | 2.10    | 3.98   |
| 78812    | 2         | 2  | 1.58   | 2.45    | 4.48   |

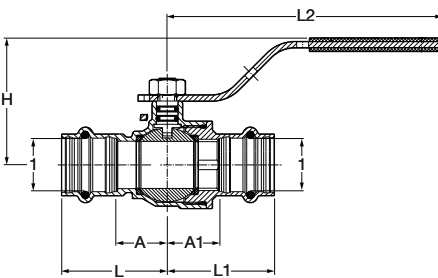
**Viega ProPress Ball Valve Zero Lead Bronze P x P - Model 2971.1ZL**


| Part No. | Size |    | A (in) | A1 (in) | L (in) | L1 (in) | L2 (in) | H (in) |
|----------|------|----|--------|---------|--------|---------|---------|--------|
|          | 1    | 1  |        |         |        |         |         |        |
| 79920    | ½    | ½  | 0.75   | 0.75    | 1.57   | 1.57    | 4.57    | 1.97   |
| 79925    | ¾    | ¾  | 0.85   | 0.87    | 1.75   | 1.77    | 4.57    | 2.09   |
| 79930    | 1    | 1  | 1.02   | 1.06    | 1.93   | 1.96    | 5.75    | 2.46   |
| 79935    | 1¼   | 1¼ | 1.14   | 1.12    | 2.17   | 2.15    | 5.75    | 2.67   |
| 79940    | 1½   | 1½ | 1.46   | 1.25    | 2.87   | 2.67    | 6.12    | 3.02   |
| 79950    | 2    | 2  | 1.73   | 1.47    | 3.31   | 3.05    | 6.12    | 3.32   |

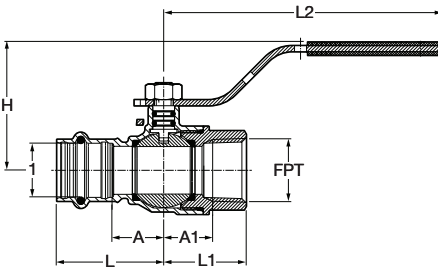


**Viega ProPress Ball Valve Zero Lead Brass P x P - Model 2971.1XL**


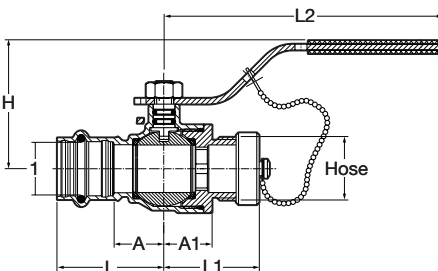
| Part No. | Size (in) | A (in) | B (in) | H (in) | L (in) | Weight (lbs) |
|----------|-----------|--------|--------|--------|--------|--------------|
| 78300    | 2½        | 7.47   | 3.91   | 4.02   | 11.22  | 7.0          |
| 78305    | 3         | 8.15   | 4.17   | 4.37   | 11.22  | 9.7          |
| 78310    | 4         | 9.72   | 4.99   | 5.12   | 11.22  | 17.5         |

**Viega ProPress Ball Valve Zero Lead Bronze P x P - Model 2971.3ZL**


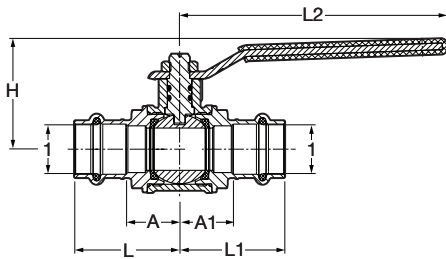
| Part No. | Size    | A (in) | A1 (in) | L (in) | L1 (in) | L2 (in) | H (in) |
|----------|---------|--------|---------|--------|---------|---------|--------|
| 79923    | ½ x ½   | 0.75   | 0.75    | 1.57   | 1.57    | 4.57    | 1.97   |
| 79928    | ¾ x ¾   | 0.85   | 0.87    | 1.75   | 1.77    | 4.57    | 2.09   |
| 79933    | 1 x 1   | 1.02   | 1.06    | 1.93   | 1.96    | 5.75    | 2.46   |
| 79938    | 1¼ x 1¼ | 1.14   | 1.12    | 2.17   | 2.15    | 5.75    | 2.67   |
| 79943    | 1½ x 1½ | 1.46   | 1.25    | 2.87   | 2.67    | 6.12    | 3.02   |
| 79948    | 2 x 2   | 1.73   | 1.47    | 3.31   | 3.05    | 6.12    | 3.32   |

**Viega ProPress Ball Valve Zero Lead Bronze P x FPT - Model 2971.4ZL**


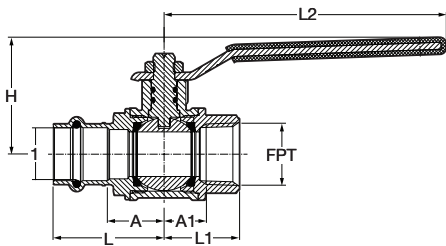
| Part No. | Size  | A (in) | A1 (in) | L (in) | L1 (in) | L2 (in) | H (in) |
|----------|-------|--------|---------|--------|---------|---------|--------|
| 79970    | ½ x ½ | 0.73   | 0.66    | 1.57   | 1.20    | 4.57    | 1.97   |
| 79975    | ¾ x ¾ | 0.85   | 0.79    | 1.75   | 1.35    | 4.57    | 2.09   |
| 79980    | 1 x 1 | 1.02   | 0.98    | 1.93   | 1.63    | 5.75    | 2.46   |

**Viega ProPress Ball Valve Zero Lead Bronze P x Hose - Model 2971.6ZL**


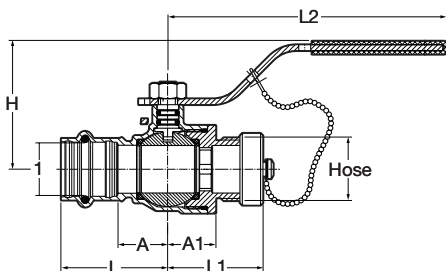
| Part No. | Size     | A (in) | A1 (in) | L (in) | L1 (in) | L2 (in) | H (in) |
|----------|----------|--------|---------|--------|---------|---------|--------|
| 79875    | ½ x ¾ GH | 0.75   | 0.79    | 1.57   | 1.56    | 4.57    | 1.99   |
| 79876    | ¾ x ¾ GH | 0.85   | 0.79    | 1.75   | 1.56    | 4.57    | 2.10   |

**Viega ProPress Ball Valve Bronze/Brass P x P - Model 2973**


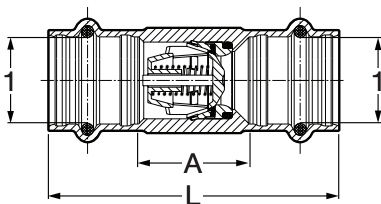
| Part No. | Size (in)<br>1 1 | A (in) | A1 (in) | L (in) | L1 (in) | L2 (in) | H (in) |
|----------|------------------|--------|---------|--------|---------|---------|--------|
| 24000    | 1/2 x 1/2        | 0.83   | 0.83    | 1.58   | 1.58    | 3.94    | 1.69   |
| 24005    | 3/4 x 3/4        | 0.95   | 0.95    | 1.86   | 1.86    | 4.72    | 1.97   |
| 24010    | 1 x 1            | 1.18   | 1.18    | 2.09   | 2.09    | 4.72    | 2.13   |
| 24015    | 1 1/4 x 1 1/4    | 1.29   | 1.29    | 2.31   | 2.31    | 6.22    | 2.87   |
| 24020    | 1 1/2 x 1 1/2    | 1.39   | 1.39    | 2.81   | 2.81    | 6.22    | 3.11   |
| 24025    | 2 x 2            | 1.85   | 1.85    | 3.43   | 3.43    | 6.22    | 3.46   |

**Viega ProPress Ball Valve Bronze/Brass P x FPT - Model 2973.1**


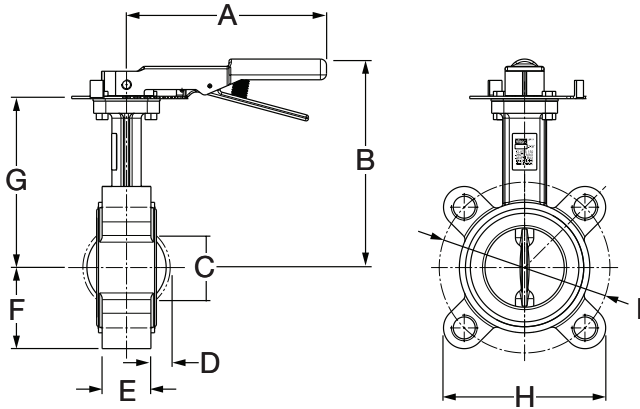
| Part No. | Size (in)<br>1 x FPT | A (in) | A1 (in) | L (in) | L1 (in) | L2 (in) | H (in) |
|----------|----------------------|--------|---------|--------|---------|---------|--------|
| 24030    | 1/2 x 1/2            | 0.83   | 0.63    | 1.58   | 1.16    | 3.94    | 1.69   |
| 24035    | 3/4 x 3/4            | 0.95   | 0.70    | 1.86   | 1.26    | 4.72    | 1.97   |
| 24040    | 1 x 1                | 1.18   | 0.93    | 2.09   | 1.59    | 4.72    | 2.13   |

**Viega ProPress Ball Valve Bronze/Brass P x Hose - Model 2973.3**


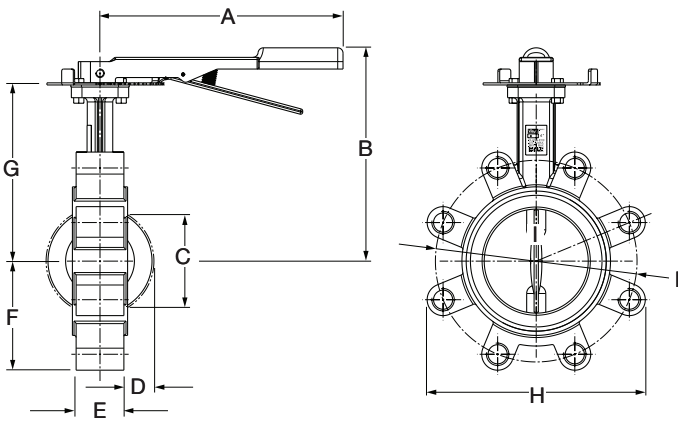
| Part No. | Size (in)<br>1 x Hose | A (in) | A1 (in) | L (in) | L1 (in) | L2 (in) | H (in) |
|----------|-----------------------|--------|---------|--------|---------|---------|--------|
| 24090    | 1/2 x 3/4             | 0.83   | 0.85    | 1.58   | 1.30    | 3.89    | 1.67   |
| 24095    | 3/4 x 3/4             | 0.95   | 0.94    | 1.86   | 1.39    | 4.72    | 1.97   |

**Viega ProPress Check Valve Zero Lead Bronze P x P - Model 2974ZL**


| Part No. | Size<br>1 1   | A (in) | L (in) |
|----------|---------------|--------|--------|
| 79035    | 1/2 x 1/2     | 0.87   | 2.52   |
| 79040    | 3/4 x 3/4     | 1.14   | 2.95   |
| 79045    | 1 x 1         | 1.34   | 3.15   |
| 79050    | 1 1/4 x 1 1/4 | 1.69   | 3.74   |
| 79055    | 1 1/2 x 1 1/2 | 2.09   | 4.92   |
| 79060    | 2 x 2         | 2.56   | 5.71   |

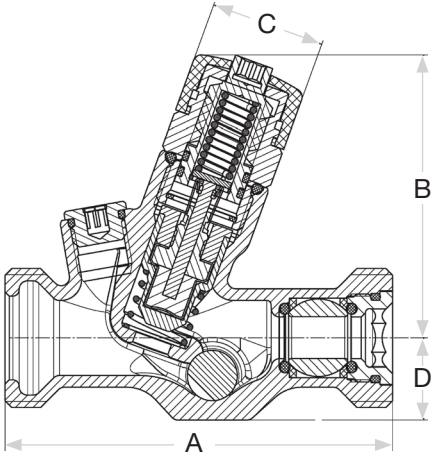
**Butterfly Valve - Model 2873.81**


| Part No. | Size (in) | A (in) | B (in) | C (in) | D (in) | E (in) | F (in) | G (in) | H (in) | I (in) |
|----------|-----------|--------|--------|--------|--------|--------|--------|--------|--------|--------|
| 22074    | 2½        | 6.50   | 7.40   | 2.17   | 0.43   | 1.81   | 2.64   | 5.35   | 5.20   | 5.51   |
| 22075    | 3         | 7.28   | 7.64   | 2.80   | 0.67   | 1.81   | 2.82   | 5.59   | 7.01   | 5.98   |

**Butterfly Valve - Model 2873.81**


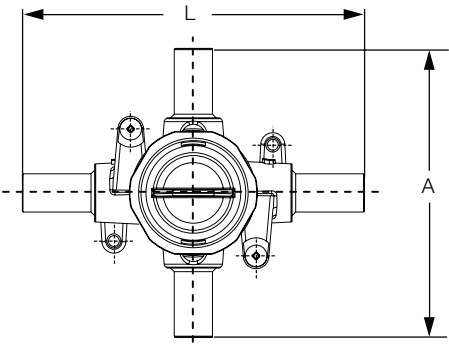
| Part No. | Size (in) | A (in) | B (in) | C (in) | D (in) | E (in) | F (in) | G (in) | H (in) | I (in) |
|----------|-----------|--------|--------|--------|--------|--------|--------|--------|--------|--------|
| 22076    | 4         | 9.06   | 8.47   | 3.54   | 0.91   | 2.05   | 3.62   | 6.42   | 8.27   | 7.48   |

**Viega ProPress Automatic Recirculation Regulating Valve Zero Lead - Model 2981.3ZL**



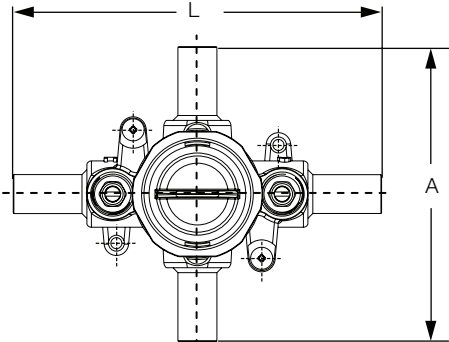
| Part No. | Size (in) | A (in) | B (in) | C (in) | D (in) |
|----------|-----------|--------|--------|--------|--------|
| 79901    | 1         | 3.66   | 3.43   | 1.09   | 0.79   |

**Shower Valve - Model 2842.5**



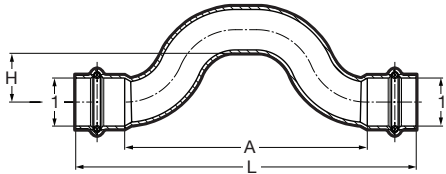
| Part No. | Stub Out (in) | A (in) | L (in) |
|----------|---------------|--------|--------|
| 93516    | 1/2           | 4.75   | 5.625  |

**Shower Valve - Model 2842.6**



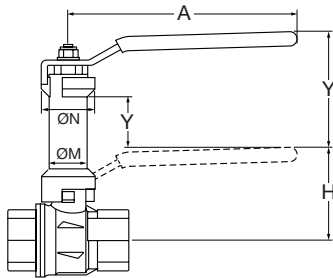
| Part No. | Stub Out (in) | A (in) | L (in) |
|----------|---------------|--------|--------|
| 93517    | 1/2           | 4.75   | 5.875  |

**Viega ProPress Cross-Over Copper P x P - Model 2928**



| Part No. | Size (in) | A (in) | L (in) | H (in) |
|----------|-----------|--------|--------|--------|
|          | 1 1       |        |        |        |
| 77742    | 1/2 x 1/2 | 3.62   | 5.12   | 0.77   |
| 77747    | 3/4 x 3/4 | 4.49   | 6.30   | 0.90   |

**Viega ProPress Stem Extension Brass - Model 2973.96\***



| Part No. | Valve Size (in) | M (in) | N (in) | A (in) | Y (in) | y (in) |
|----------|-----------------|--------|--------|--------|--------|--------|
| 23449    | 1/2             | 0.669  | 0.984  | 3.937  | 2.224  | 1.043  |
| 23451    | 3/4, 1          | 0.787  | 1.102  | 4.724  | 2.460  | 1.082  |
| 23453    | 1/4, 1 1/2, 2   | 1.023  | 1.417  | 6.220  | 2.657  | 0.807  |

\*For use with Model 2973, 2973.1, and 2973.3 Valves