



Installation Instructions

Heritage® Wall Oven

Models HWO127, HWO130, HWO227, HWO230

Français - Voir Page 11

TABLE OF CONTENTS

Important Safety Instructions	1	Removing An Oven Door.....	6
Safety Symbols and Labels	1	Making the Electrical Connection	6
General Safety Precautions.....	1	Installing the Oven in the Cabinet.....	8
Customer-Assurance Information	2	Reinstalling An Oven Door	9
Electrical Specifications	2	Verifying Proper Operation	9
Product Dimensions	3	Installation Checklist	9
Installation Specifications	4	French Installation Instructions	11
Planning the Installation	4		
Installation Instructions	6		
Verifying the Package Contents	6		

BEFORE YOU BEGIN...

Installer

- To prevent mishaps, delays, and personal injury, read this manual thoroughly before starting the installation.
- Leave this manual with the owner.

Owner

Keep this manual for personal and professional reference.

All specifications are subject to change without notice; Dacor® assumes no liability for such changes.

© 2018 Dacor. All Rights Reserved.

READ AND SAVE THESE INSTRUCTIONS

IMPORTANT SAFETY INSTRUCTIONS

- The **Important Safety Instructions** and warnings in this manual do not cover all possible situations. Use common sense and caution when installing, maintaining, and operating the oven.
- Contact Dacor Customer Assurance with issues you cannot resolve. (See Customer Assurance Information, Pg. 3.)

Safety Symbols and Labels

DANGER

Immediate hazards that **WILL** result in severe personal injury or death.

WARNING

Hazards/unsafe practices that **COULD** result in severe personal injury or death.

CAUTION

Hazards/unsafe practices that **COULD** result in minor personal injury or property damage.

DANGER

Do not keep or use combustible/explosive liquids (e.g., gasoline, alcohol, paint thinner) or materials in/on/near the wall oven. Keep items that could explode (e.g., aerosol cans) away from the oven.

WARNING

NEVER use the oven as a space heater. Doing so may overheat the oven.

WARNING

NEVER line/cover any part of the oven with foil or similar material. Doing so impedes air flow and may cause a fire hazard.

WARNING

Do not install the oven outside or near water (e.g., pool, fountain, pond, stream).

WARNING

When using **BROIL** and **CONVECTION BROIL**, the oven door must be closed.

General Safety Precautions

To reduce risk of fire, electric shock, serious injury, or death when using the oven, take basic safety precautions, including:

WARNING

- Read the Use and Care Manual before operating the oven.
- Keep packaging materials away from children.
- If you receive a damaged product, immediately contact your dealer/build-er. Do not install or use a damaged appliance.
- The oven must be installed by a qualified installer per these installation instructions. The installer must show the owner the circuit-breaker panel or fuse box so power to the oven can be turned off if needed. The owner shall ensure the oven's proper installation and is financially responsible for service required to correct a faulty installation.
- Do not lift/move the oven by the door handle(s).
- At least two people are needed to install the oven safely.
- Do not install/repair/replace any part of the oven unless as specified in the manuals. A qualified service technician must perform all other service.
- Before any service/installation, shut off power to the oven at the circuit breaker or fuse box.
- The oven is intended for use consistent with residential cooking. It is not designed for commercial use.
- Do not climb anywhere on the oven.
- Do not leave children alone near the oven or let them play with the con-trols or other parts of the oven.
- Do not store items of interest to children above the oven, thus encourag-ing them to climb on the oven and possibly injure themselves.
- Do not tamper with the controls, or adjust/alter any part of the oven unless as instructed in this manual.
- To keep the oven from toppling and possibly causing injury, secure it to the cabinet with the supplied mounting screws.
- Keep flammable items (e.g., paper, alcohol, plastic, cloth) away from hot surfaces. Do not put such items in the oven.
- Do not use wet potholders or let them touch hot heating elements.
- Do not wear loose/hanging apparel while using the oven. Do not let cloth-ing contact the oven interior and surrounding areas while the oven is hot.
- Do not use the oven for storage.
- Do not touch oven surfaces unless you are sure they are sufficiently cool.
- Do not touch the oven (which will be hot) during the self-clean cycle.
- To prevent injury from spinning fan blades, use the oven only if the con-vection filter is installed.
- Fumes from heated non-stick coatings can harm birds. Put birds in a sepa-rate, well-ventilated room when using such cookware.
- Remove the meat probe from the oven when not in use.
- Do not line the oven with foil or other material, which can melt or burn dur-ing self-cleaning and permanently damage the oven.
- To prevent oven and cookware/utensil damage, do not leave aluminum foil, cookie sheets, utensils, etc. on the oven bottom.
- To prevent overheating and possible oven damage, do not block heating elements in the top of the oven chamber.
- Always ensure that the light-fixture covers are in place. These covers pro-protect the bulbs from high oven temperatures and mechanical shock.

CUSTOMER ASSURANCE INFORMATION

If you have questions or installation/repair/warranty issues, call:

Dacor Customer Assurance

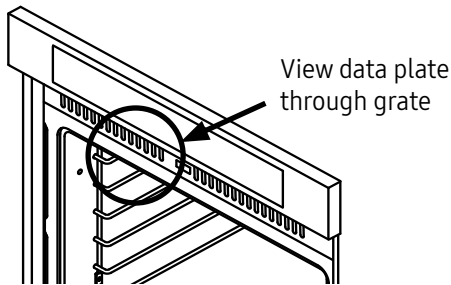
Phone: 833-35-ELITE (833-353-5483) USA, Canada

Mon – Fri 5:00 a.m. to 5:00 p.m. Pacific Time

Website: www.dacor.com/customer-care/contact-us

Product Data Label

When you call for assistance, have the oven's model and serial numbers ready. These numbers are on the product-data label behind the grill above the oven chamber. On double ovens, the label is behind the upper oven's grill.



Model Identification

HWO230FS/208V

A
B
C
DE
F

Callout	Name	Description
A	Model series	(HWO) Heritage Wall Oven
B	Number of ovens	1 (single oven) or 2 (double oven)
C	Width	Inches (overall exterior)
D	Handle style	F: flush; P: Pro; No designator: Epicure
E	Color/Material	B: Black; S: Stainless steel; W: White
F	Voltage	208V: 208 Vac; No designator: 240 Vac

ELECTRICAL SPECIFICATIONS

- The owner shall ensure that a licensed electrician installs the oven's electrical supply (incl. minimum supply wire size), which must comply with the Nat'l Electric Code ANSI/NFPA 70 (latest rev.) and local codes/ordinances. Obtain a copy of this standard from:

National Fire Protection Association
 1 Batterymarch Park
 Quincy, MA 02269-9101

- Correct voltage/frequency/amperage must be supplied to the oven from a dedicated, grounded, single-phase circuit protected by a properly sized circuit breaker or time-delay fuse. (For the fuse, fuse both sides of the line: L1 and L2.)
- Preheat times and cavity temperature-recovery times increase slightly if operating a 240 Vac unit with less than a 240 Vac circuit.
- The oven has electrical wiring in a flexible metal conduit.

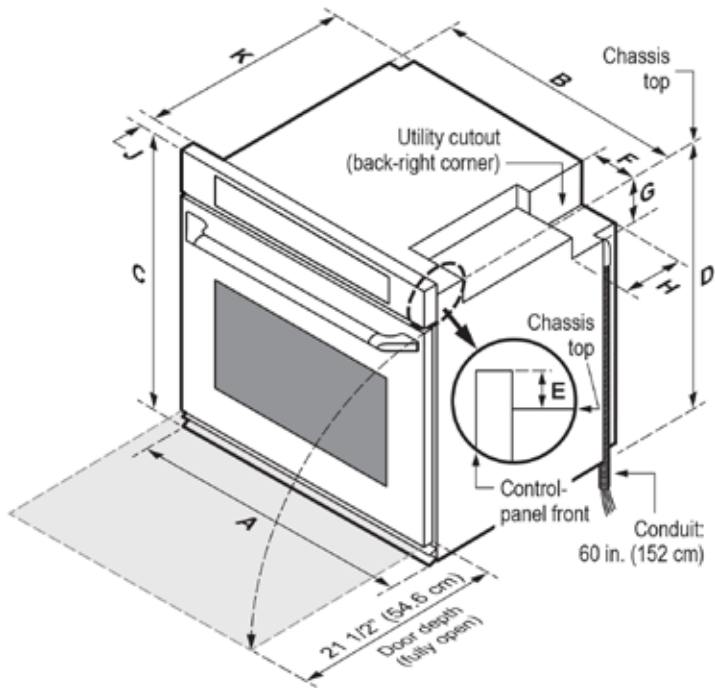
Model	Total Connected Load*	Dedicated Circuit Requirements
HWO127	240 Vac 60 Hz, 19.0 Amp., 4.7 kW	240 Vac 60 Hz, 4 wire**, 30 Amp.
HWO130	240 Vac 60 Hz, 24.5 Amp., 6.0 kW	
HWO227	240 Vac 60 Hz, 39.4 Amp., 9.5 kW	240 Vac 60 Hz, 4 wire**, 40 Amp.
HWO230	240 Vac 60 Hz, 48.6 Amp., 12.0 kW	240 Vac 60 Hz, 4 wire**, 50 Amp.

*For reference only. See the product data label (pg. 2) for exact specifications; **two 120 Vac hot (L1, L2), one neutral, one ground.

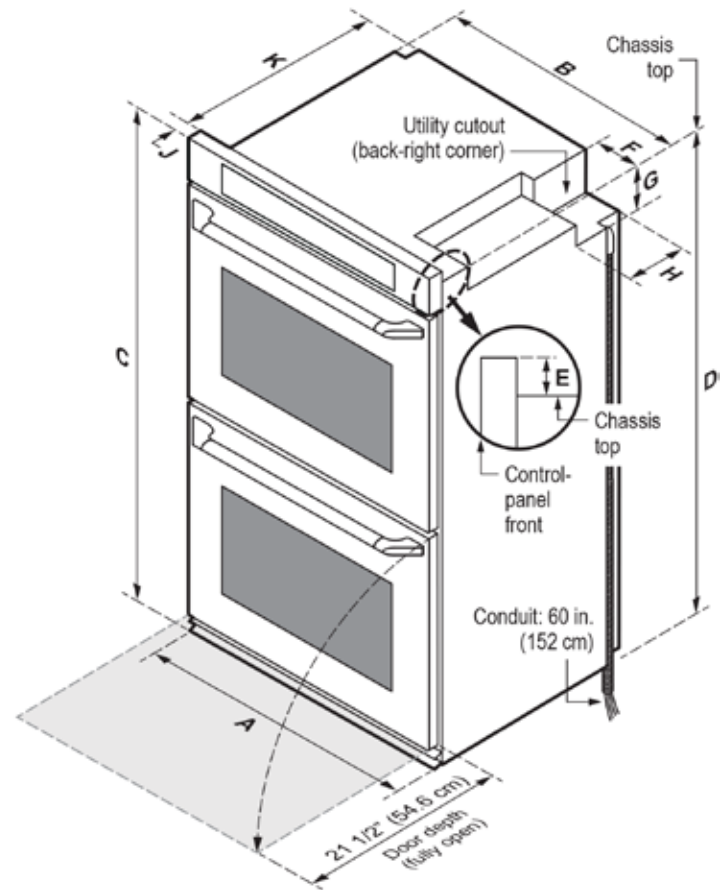
PRODUCT DIMENSIONS

All tolerances: $\pm 1/16$ (± 1.6 mm), unless otherwise stated.

Single Oven (HWO127, HWO130)



Double Oven (HWO227, HWO230)

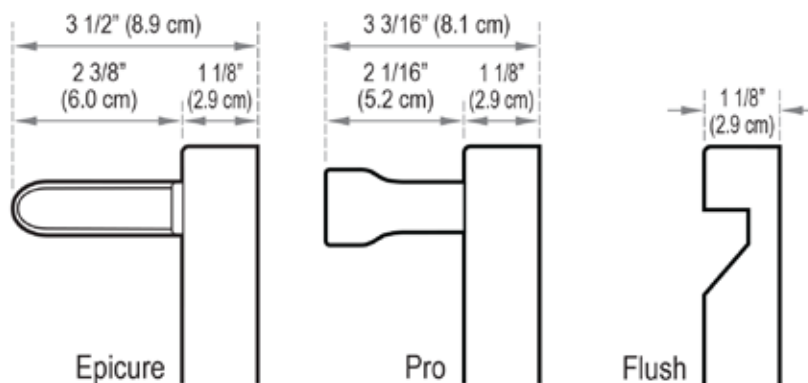


Model	(A) Overall Width	(B) Chassis Width	(C) Overall Height	(D) Chassis Height	(E) Control Panel Overlay
HWO127	26 7/8" (68.3 cm)	25 1/2" (64.8 cm)	27 3/4" (70.5 cm)	26 5/8" (67.6 cm)	1 1/8" (2.9 cm)
HWO130	29 7/8" (75.9 cm)	28 1/2" (72.4 cm)			
HWO227	26 7/8" (68.3 cm)	25 1/2" (64.8 cm)	50 1/8" (127.3 cm)	49" (124.5 cm)	
HWO230	29 7/8" (75.9 cm)	28 1/2" (72.4 cm)			

All Models

(F) Utility Cutout Width	(G) Utility Cutout Height	(H) Utility Cutout Depth	(J) Control Panel Depth	(K) Chassis Depth
6 1/2" (16.5 cm)	5" (12.7 cm)	7 7/8" (20.0 cm)	1 1/4" (3.2 cm)	23 1/2" (59.7 cm)

Handle Dimensions



INSTALLATION SPECIFICATIONS

Planning the Installation

WARNING

Observe governing codes and ordinances during planning/installation. Contact your local building department for details.

IMPORTANT

- Place the junction box so the oven may be easily disconnected if it must be removed for service.
- Ensure the oven is installed fully level, or it may deliver poor/inconsistent baking results.

- Ensure the oven is easily accessible. Verify that electrical power, meeting the specifications on pg. 4, is available to the intended location.
- Install the junction box as shown on Pgs 5-6.

- Install the junction box so the oven can be removed from the cutout without being disconnected.
- Plan the installation so all minimum clearances are met or exceeded. Dimensions shown provide minimum clearances unless otherwise noted. Ensure proper clearance is provided for the oven door. (See **Product Dimensions**.)
- Cabinet cutout dimensions must be followed. The specified minimum cabinet depth/width must be provided. The cabinet depth/width must completely enclose the recessed portion of the oven.
- All contact surfaces between oven and cabinet must be solid and level.
- Provide a support platform within the cabinet for the oven, which must be installed level and straight. The top edge of the platform must be flush with the cutout at the front of the cabinet. There is no way to level the oven after installation. 3/4" (1.9 cm) plywood is recommended.

Cabinet Dimensions

Cabinet tolerances: +1/16 (1.6 mm), -0, unless otherwise stated

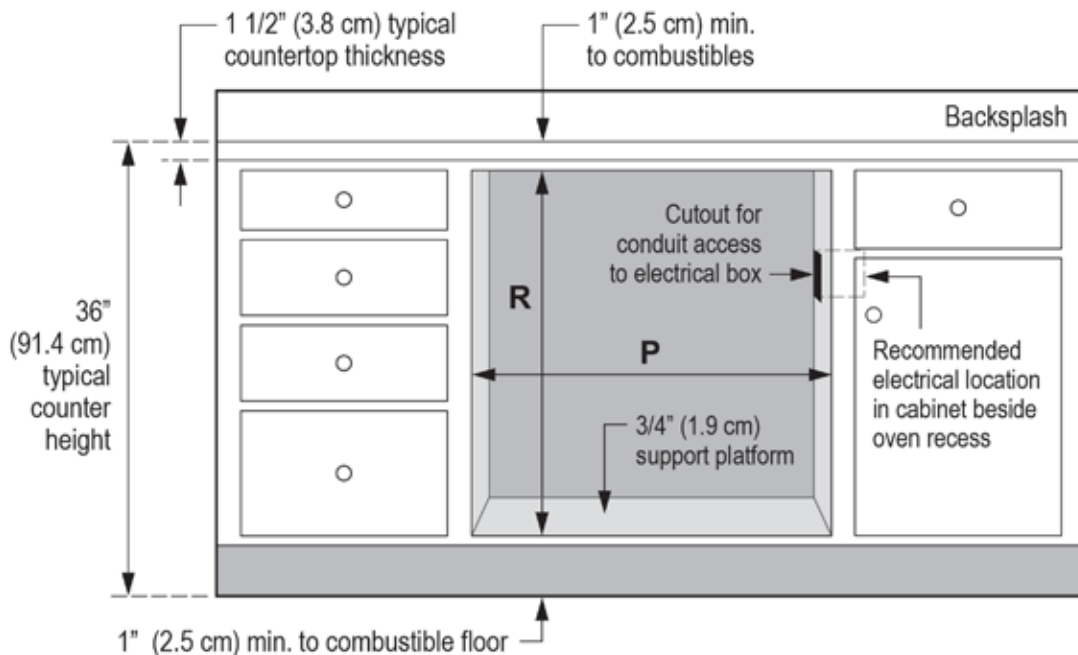
Model	(N) Min. Cabinet Width	(P) Cutout Width	(R) Cutout Height
HWO127	27" (68.6 cm)	25 5/8" (65.1 cm) min. (recommended) or 26 1/8" (66.4 cm) max.	26 3/4" (67.9 cm) min. (recommended) or 27 1/2" (69.9 cm) max.
HWO130	30" (76.2 cm)	28 5/8" (72.7 cm) min. (recommended) or 29 1/8" (74.0 cm) max.	
HWO227	27" (68.6 cm)	25 5/8" (65.1 cm) min. (recommended) or 26 1/8" (66.4 cm) max.	49 1/8" (124.8 cm) min. (recommended) or 49 7/8" (126.7 cm) max.
HWO230	30" (76.2 cm)	28 5/8" (72.7 cm) min. (recommended) or 29 1/8" (74.0 cm) max.	

Minimum interior cabinet depth: 24" (61.0 cm)

Cutout Dimensions

Cabinet tolerances: +1/16 (1.6 mm), -0, unless otherwise stated

Single Wall Oven (under-counter install)

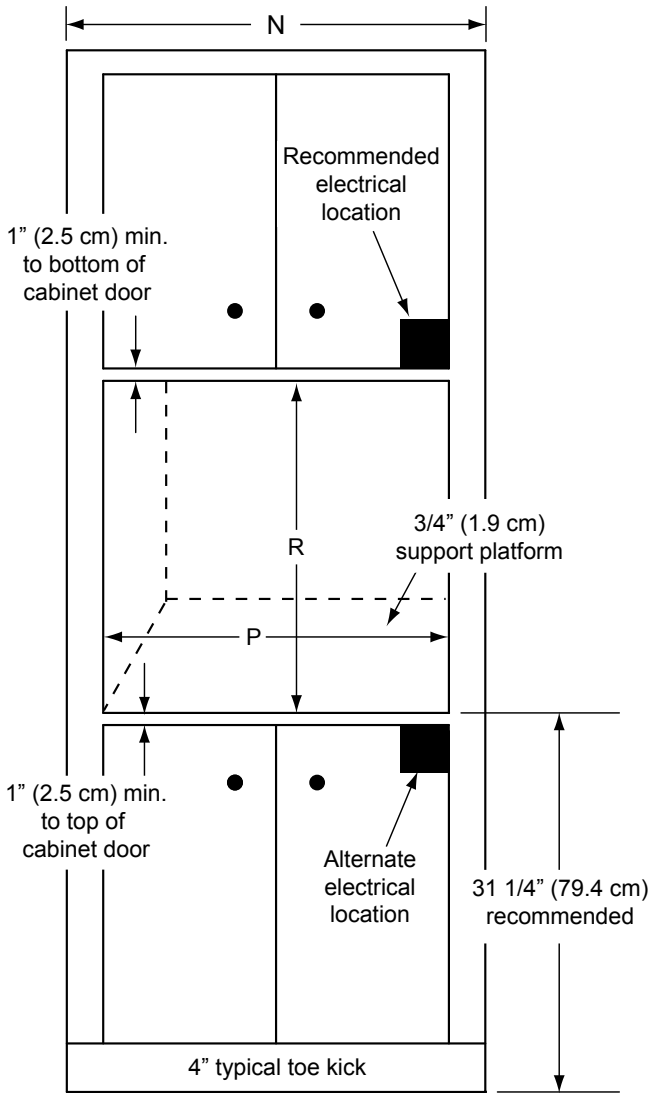


INSTALLATION SPECIFICATIONS

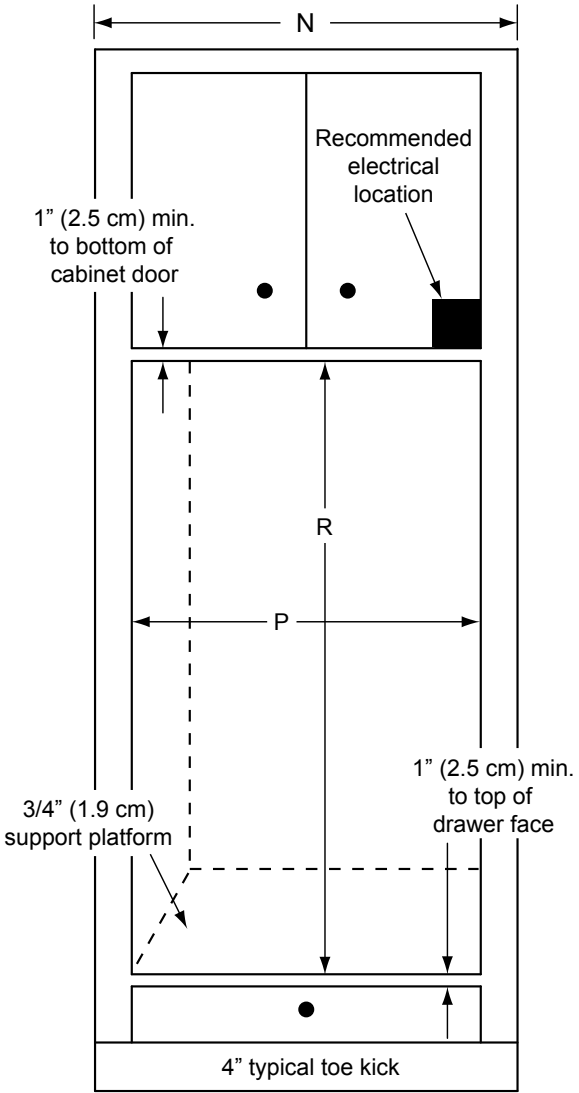
Planning the Installation, cont.

Cutout Dimensions, cont.

Cabinet tolerances: +1/16 (1.6 mm), -0, unless otherwise stated



Single Wall Oven



Double Wall Oven

INSTALLATION INSTRUCTIONS

Verifying Package Contents

These items should come with the oven. Contact your dealer immediately about missing/damaged items. Do not install an incomplete/damaged oven.

- Installation Instructions, User Manual
- Mounting screws (wood, #6 x 3/4, Dacor PN 83331; 4 for single oven, 6 for double oven)
- Standard oven racks (single oven: 1; double oven: 2)
- GlideRack™ oven rack (single oven: 2, double oven: 4)
- Broil grill and pan
- Dacor Stainless Steel Cleaner (s/s models only)
- Meat probe

Before starting installation, gather all needed items.

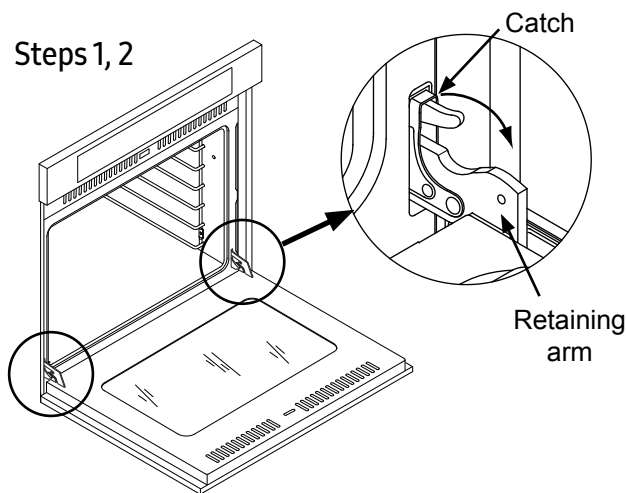
Removing An Oven Door

Remove the door(s) so the oven is lighter and easier to lift.

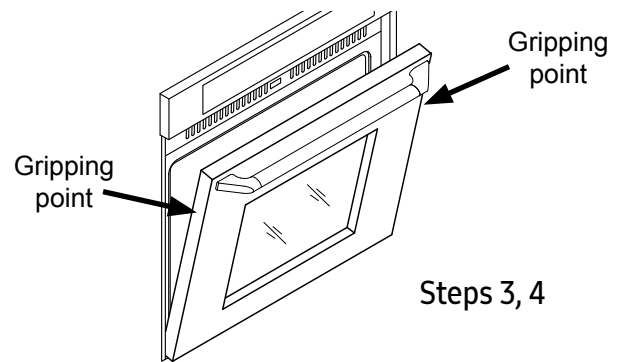
WARNING

- Do not detach the hinge catches after removing the door; the springs could pop free and cause injury.
- Do not lift or carry the door by its handle.
- (Double ovens) Remove the bottom door first to reduce the risk of damage.

1. Open the door fully.



2. (Each hinge) With a pair of needle-nose pliers and slotted screwdriver, rotate the catch over the retaining arm.
3. Lift the oven door to about a 15° angle from vertical.



4. Grasping with both hands just below the handle, lift the door away from the oven.

Making the Electrical Connection

WARNING—SHOCK HAZARD

- If the electrical service does not meet the specifications on pg. 3, postpone the installation, and have a licensed electrician install the proper wiring.
- Be sure to remove power to the oven before installation.
- Do not turn on power to the oven until it is properly grounded per these instructions.
- The installer must connect the oven ground terminal (lead) to a metal, grounded, permanent wiring system or grounding conductor.
- Do not use an extension cord.
- Do not install a fuse in the neutral or ground circuit.
- Connect the oven to the power supply with copper wire only.

IMPORTANT

Leave slack in the conduit so the oven can be slid forward for service without disconnection.

NOTE

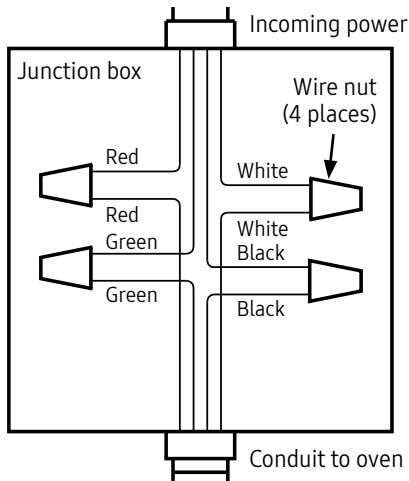
The leads from the oven conduit may be a smaller gauge than the wiring of the dedicated supply circuit but are compatible with household wiring under National Electric Code jurisdiction and/or the local inspection authority.

1. Turn off power to the circuit to which the oven will be connected at the circuit-breaker panel or fuse box.
2. Position the oven directly in front of the cabinet cutout.
3. Feed the appliance conduit into the junction box and attach it using a UL-approved strain relief.
4. Per local code, connect to one of these systems (see Pgs. 8, 9):
 - 4-wire electrical system
 - 3-wire electrical system
 - 3-wire electrical system w/external ground.

INSTALLATION INSTRUCTIONS

4-Wire Electrical Connection

1. Separate the wires coming out of the oven conduit.
2. Connect the oven conduit white wire to the junction box white (neutral) supply wire.
3. Connect the oven conduit black wire to the junction box black (L1) supply wire.
4. Connect the oven conduit red wire to the junction box red (L2) supply wire.
5. Connect the oven conduit green wire to the junction box green (ground) wire.

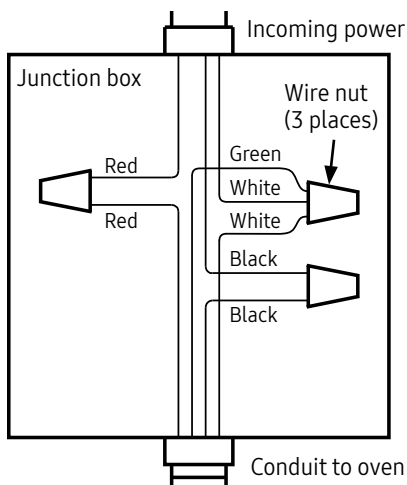


3-Wire Electrical Connection (if allowed)

WARNING

Do not connect the green appliance conduit wire to the neutral (white) junction box wire unless local building codes permit.

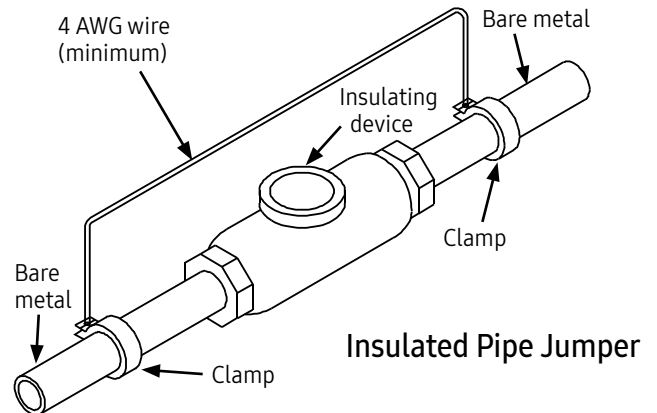
1. Separate the wires leaving the appliance conduit.
2. Connect the oven conduit green and the white wires to the junction box white (neutral) supply wire.
3. Connect the black wire from the appliance conduit to the junction box black (L1) supply wire.
4. Connect the red wire from the appliance conduit to the junction box red (L2) supply wire.



3-Wire Electrical Connection w/External Ground (if allowed)

WARNING

- Do not ground the oven to a gas-supply pipe or hot-water pipe.
- If connecting the ground wire to a grounded cold-water pipe, use a separate copper grounding wire (#10 minimum) and a clamp with an external grounding screw. This pipe must have metal continuity to electrical ground, interrupted by insulation. (Insulating materials must be jumped with a minimum 4 AWG wire to establish continuity to ground.)

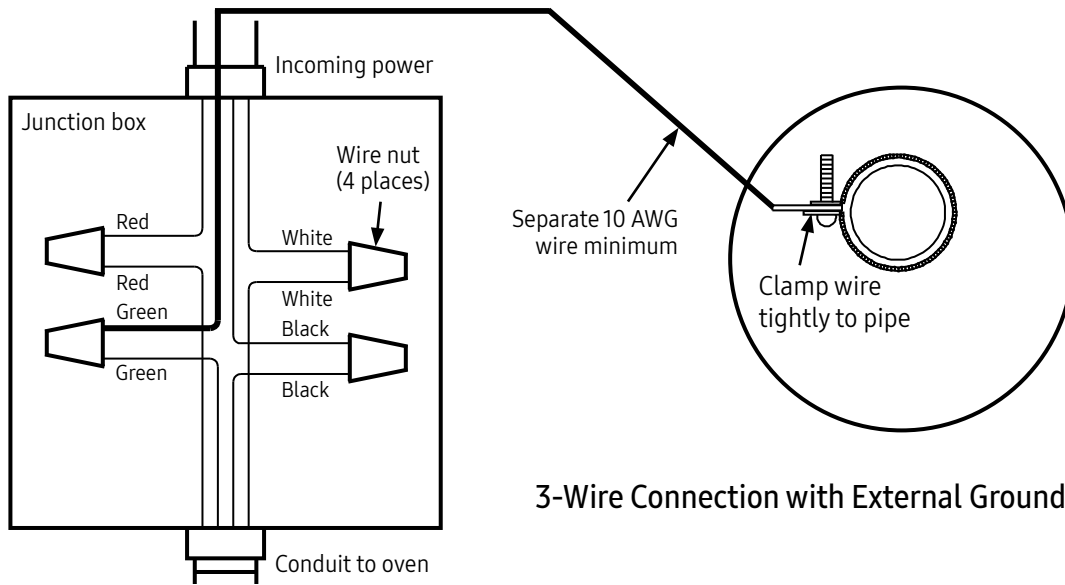


NOTE

If the junction box is properly grounded by a licensed electrician, the green (ground) wire from the appliance conduit may be connected to the junction box using a loop terminal.

1. Separate the wires coming out of the oven conduit.
2. Connect the oven conduit white wire to the junction box white (neutral) supply wire.
3. Connect the oven conduit black wire to the junction box black (L1) supply wire.
4. Connect the oven conduit red wire to the junction box red (L2) supply wire.
5. Connect the oven conduit green wire to a grounded cold-water pipe; jumper any insulating material with a length of #4 copper wire. Securely clamp the wire to bare metal at both ends.

INSTALLATION INSTRUCTIONS



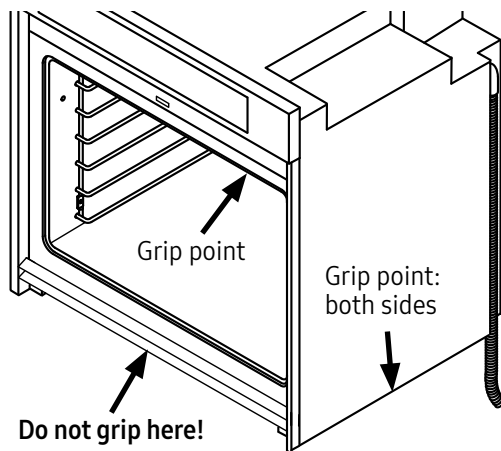
Installing the Oven in the Cabinet

In installing the oven, take every precaution in view of its weight (single oven: 220 lbs; double oven: 359 lbs.). Do not try to install the oven singlehandedly.

⚠ WARNING—DAMAGE & INJURY

- Use the mounting screws so the oven stays immobile during use.
- Do not block the oven exhaust (oven bottom).
- Do not lift the oven by the grill or by the bottom edge.

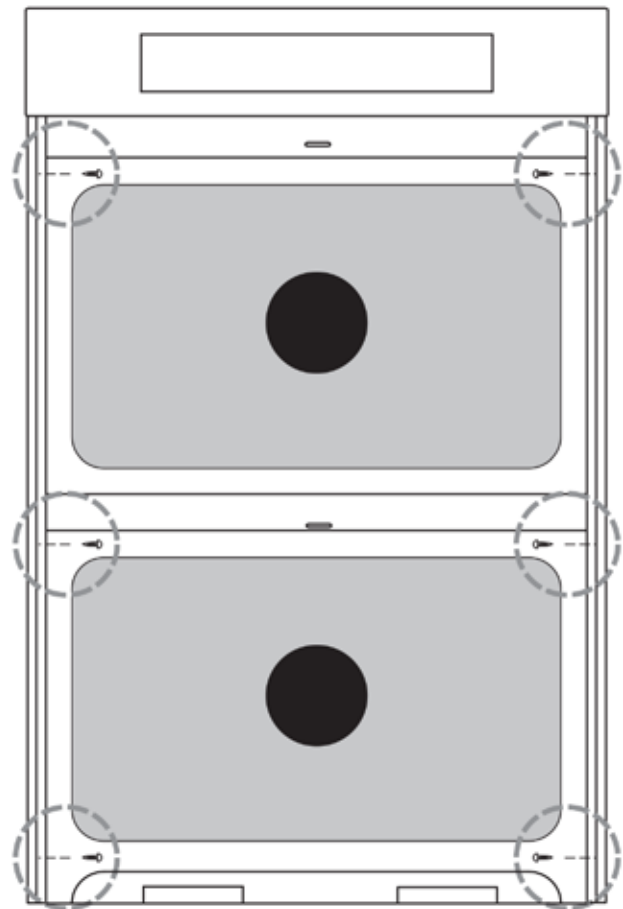
1. Gripping the upper front edge of the oven chamber and the bottom of the oven case side, lift and rest the oven on the front edge of the cabinet mounting platform.



2. Slide the oven into the cavity* until the rear edge of the oven frame is flush with the cabinet face, and the oven is centered within the cutout. (*Ensure the electrical conduit slides into place without kinking or pinching.)

Place the cable in the notch down the oven's right-rear corner or coiled atop the oven chassis. (Do not trap the cable between the oven and rear wall.)

3. Find the mounting holes in the trim on both sides of the oven. (Single ovens have 2 holes per side; double ovens have 3 holes per side.)
4. With a 1/16" bit, drill pilot holes in the cabinet through each the trim mounting hole.
5. (Without over-tightening) Install all provided #6 screws through the oven trim into the cabinet to secure the oven.



INSTALLATION INSTRUCTIONS

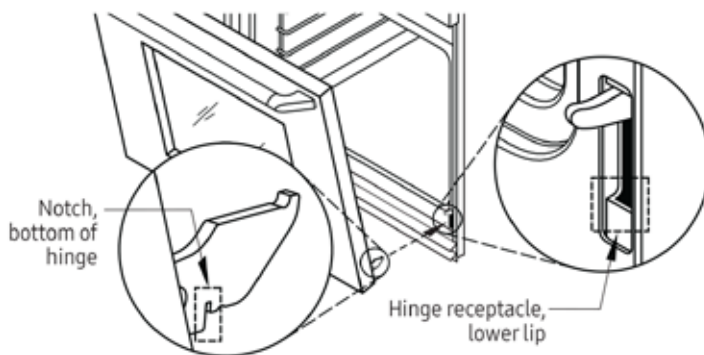
Reinstalling An Oven Door

WARNING

To avoid personal injury and property damage:

- Ensure the notch on the bottom of each hinge rests atop the lower lip of each hinge receptacle before opening the door.
- Rotate the hinge locks toward the front of the oven immediately after installing the door.
- (Double ovens) Install the top door first to reduce the chance of damaging the lower door during installation.

1. Grasp the oven door on opposite sides and, holding it at 15° to the front of the oven, slide the hinges into the hinge openings, resting the bottom of the hinge arms on the hinge receptacles.



2. Continue holding the door at 15° with one hand while pushing in on each of the bottom corners of the door. Push until the notch on the bottom of each hinge slips over the lower lip of each hinge receptacle.
3. Lower the door to the fully opened position, then rotate the two hinge locks toward the oven.
4. Slowly and carefully open and close the door completely to ensure that it is properly installed.

Verifying Proper Operation

1. (Stainless-steel ovens) Peel off the protective plastic.
2. Remove packaging from inside the oven(s).
3. Slide the oven racks onto the supports inside the oven. (See the User Manual.)
4. Apply power to the oven at the circuit breaker/fuse box.
5. Set the clock. (See the User Manual.)

NOTE

(Double ovens) Be sure to test both ovens.

6. On the control panel, press **BAKE**. (The default bake temperature should appear on the display.)
7. Press **START**. (In about 3 minutes, heat should begin radiating from the floor of the oven chamber.)
8. Press **CANCEL/SECURE**.

Troubleshooting

If the oven does not operate properly:

1. Verify that the oven receives power.
2. If the oven will not come on, cut power at the circuit breaker/fuse box, and check the electrical connections.
3. Turn on power, and repeat the verification test.
4. If the appliance still does not work, contact Dacor Customer Assurance: 833-353-5483; have the model and serial numbers ready. (See pg. 2.)

Do not try to repair the oven yourself.

Installation Checklist

WARNING

The installer shall complete this checklist to ensure the installation is thorough and proper.

- Is the oven mounted on a level platform? (Pg. 5)
- Is the oven wired and grounded as instructed in this manual and per applicable electrical codes? (Pgs. 3, 7)
- Is the oven secured in the cabinet with all 4 mounting screws (single ovens) and 6 screws (double ovens)? (Pg. 10)
- Is/are the oven door(s) properly installed as instructed in this manual? (Pg. 11)
- Was proper operation verified?
- Was the warranty activated online or the warranty card completed and mailed?



Instructions d'installation

Heritage® Four Mural

Modèles HWO127, HWO130, HWO227, HWO230

TABLE DES MATIÈRES

Importantes instructions de sécurité.....	12	Instructions d'installation.....	17
Ce qui vous devez savoir instructions de sécurité.....	12	Vérifier le contenu de l'emballage	17
Mesures de sécurité générales	13	Enlèvement de la porte	17
Information pour le service à la clientèle	14	Connexion électrique	18
Pour obtenir de l'aide.....	14	Installation du four dans l'armoire.....	20
L'étiquette de données sur le produit.....	14	Installation de la porte	20
Identification du modèle	14	Vérification du bon fonctionnement	21
Prescriptions d'installation.....	14	Liste de vérification de l'installation	21
Spécifications électriques	14		
Dimensions du produit	15		
Planification de l'installation.....	16		

AVANT DE COMMENCER

- **Installateur** : Dans un souci de sécurité, lire ces instructions d'installation en entier et attentivement avant de commencer le processus d'installation. Laisser ces instructions d'installation au propriétaire.
- **Propriétaire** : Conserver ces instructions d'installation pour vous y reporter en cas de besoin. Conserver ces instructions d'installation à l'intention du contrôleur d'installations électriques local.

IMPORTANTES INSTRUCTIONS DE SÉCURITÉ

Ce qui vous devez savoir instructions de sécurité

- Instructions de sûreté d'avertissement et importantes apparaître en ce livre ne sont pas censés couvrir toutes les conditions possibles et situations qui peuvent se produire. Le bon sens, l'attention et le soin doivent être employés en installant, en maintenant ou en actionnant un appareil.
- Entrez en contact avec toujours le fabricant au sujet des problèmes ou des conditions que vous ne comprenez pas. Voir **Information pour le service à la cliente**.

Symboles de sûreté, mots et étiquettes

DANGER

Risques immédiats qui **RÉSULTERONT** en de graves blessures ou même la mort.

ADVERTISSEMENT

Risques ou pratiques non sûres, qui **POURRAIENT** résulter en de graves blessures ou même la mort.

MISE EN GARDE

Risques ou pratiques non sûres qui **POURRAIENT** résulter en des blessures mineures ou dégâts matériels.

DANGER

N'entreposez et n'utilisez pas d'essence ou autres vapeurs et liquides inflammables à proximité de cet appareil ou de tout autre appareil électroménager. Garder les articles qui pourraient exploser, comme les générateurs d'aérosol, éloignés des appareils ménagers. Ne pas entreposer de produits inflammables ou explosifs dans des armoires ou zones attenantes (ou au-dessus et au-dessous).

ADVERTISSEMENT

NE JAMAIS utiliser cet appareil comme dispositif de chauffage de la pièce. Le nonrespect de cette instruction peut entraîner une surchauffe de l'appareil.

ADVERTISSEMENT

NE JAMAIS couvrir les fentes, les trous, les grilles ou les passages sur l'appareil ménager. Ne pas revêtir le four de papier d'aluminium ou d'un autre matériel. Le faire empêche l'air de circuler dans le châssis et peut causer un incendie.

ADVERTISSEMENT

Ne pas ranger ou utiliser cet appareil à l'extérieur. Ne pas utiliser ce produit près de l'eau—par exemple, près d'une piscine.

ADVERTISSEMENT

Lorsqu'on utilise les réglages grillage (BROIL) et grillage par convection (CONVECTION BROIL), la porte du four doit être complètement fermée.

Les spécifications figurant dans ce manuel sont susceptibles d'être modifiées sans préavis.
Dacor® n'assumera aucune responsabilité en cas de modification de ces spécifications.

© 2018 Dacor, tous droits réservés.

LIRE ET CONSERVER CES DIRECTIVES

Mesures de sécurité générales

Pour réduire le risque d'incendie, de choc électrique, de blessures ou de dommages lors de l'utilisation de cet appareil, il convient d'observer certaines précautions élémentaires dont les suivantes:

AVERTISSEMENT

- Lire le manuel d'utilisation d'accompagnement en entier avant d'utiliser l'appareil ménager.
- Garder les emballages éloignés des enfants. Le plastique en feuilles et les sacs peuvent causer la suffocation.
- Si le produit reçu est endommagé, contactez immédiatement votre revendeur ou votre constructeur. Ne pas installer ou utiliser un appareil ménager endommagé.
- Assurez-vous que votre appareil est bien installé et mis à la terre par un installateur qualifié, conformément aux les directives d'installation fournies. L'installateur doit montrer au client l'emplacement du tableau disjoncteurs ou du coffret de fusibles afin qu'il sache où il se trouve et comment couper l'alimentation vers l'appareil. Dacor n'est pas responsable des réparations nécessaires pour corriger une installation inappropriée. L'installation convenable est la responsabilité du propriétaire.
- Ne transportez pas le porte par le poignée.
- Au moins deux personnes sont requises pour l'installation sécuritaire de l'appareil ménager.
- Ne pas installer ni réparer ni remplacer toute pièce du four si ce n'est pas spécifiquement recommandé dans les instructions. Toute autre opération d'entretien ou de réparation doit être confiée à un technicien qualifié.
- Avant de procéder à l'entretien ou à l'installation de cet appareil ménager, s'assurer que l'électricité est coupée au niveau du tableau disjoncteurs ou du coffret de fusibles.
- N'utilisez cet appareil que pour l'usage auquel il est destiné, comme expliqué dans le présent manuel. Cet appareil ménager n'est pas destiné à l'utilisation commerciale ou de laboratoire.
- Ne pas grimper sur aucune partie de l'appareil.
- Ne pas laisser les enfants ou les animaux domestiques seuls ou sans surveillance dans la zone autour de l'appareil ménager. Ne pas laisser les enfants jouer avec les commandes ou toucher d'autres parties de l'appareil ménager.
- Ne pas entreposer des articles intéressants pour les enfants sur l'appareil ou au-dessus de ce dernier. Les enfants pourraient se brûler ou se blesser s'ils grimpent sur l'appareil.
- Ne pas endommager les commandes. Ne pas rajuster ou modifier une partie de la cuisinière à moins d'indication précise dans les présentes instructions.
- Ne pas utiliser le four pour l'entreposage.

AVERTISSEMENT

- Afin de prévenir les blessures attribuables au basculement vers l'avant de l'appareil, fixer l'appareil à l'armoire à l'aide des vis de montage fournies.
- Garder les articles inflammables, comme le papier, le carton, le plastique et l'étoffe éloignés des surfaces chaudes. Ne pas placer produits inflammables à l'intérieur du four. Ne pas laisser les poignées toucher les surfaces chaudes.
- Ne pas porter de vêtements amples ou libres pendant l'utilisation de cet appareil ménager. Ne pas laisser les vêtements, les poignées, les serviettes ou les chiffons entrer en contact avec les surfaces chaudes immédiatement après l'utilisation.
- **NE PAS TOUCHER LES SURFACES CHAUDES DE L'APPAREIL MÉNAGER OU LES ZONES AVOISINANTES PENDANT OU IMMÉDIATEMENT APRÈS L'UTILISATION.**
- Ne pas toucher les surfaces extérieures de l'appareil ménager pendant le cycle d'autonettoyage. Elles seront chaudes. La ventilation du four peut causer le réchauffement des garnitures.
- Pour des raisons de sécurité et pour un bon rendement du four, ne pas utiliser le four pour la cuisson sans le filtre à convection installé. Lorsque le filtre n'est pas installé, les pales de ventilateur en rotation à l'arrière du four sont exposées.
- Les revêtements antiadhésifs, lorsqu'ils sont chauffés, peuvent nuire aux oiseaux. Déplacer les oiseaux à une salle séparée bien ventilée.
- Afin de prévenir les dommages, retirer la sonde thermique du four lorsqu'elle n'est pas utilisée.
- Ne pas revêtir le four de papier d'aluminium ou d'un autre matériel. Ces articles peuvent fondre ou brûler pendant l'autonettoyage et endommager le four de façon permanente.
- Ne pas laisser d'objets, comme du papier d'aluminium, la sonde thermique ou des plaques à biscuits au bas du four. Cela pourrait causer la surchauffe du four ou des articles laissés à l'intérieur, ce qui crée un risque d'incendie ou cause des dommages.
- Ne pas couvrir les éléments de chauffage au haut de la chambre de cuisson, avec papier d'aluminium, des marmites, des poêles, etc. Couvrir les éléments de chauffage peut causer la surchauffe et endommager le four. Sur certains modèles, les éléments de chauffage sont derrière des panneaux de verre.
- Toujours s'assurer que la lentille du dispositif d'éclairage est en place pendant l'utilisation du four. La lentille protège l'ampoule du bris causé par les températures élevées du four ou le choc mécanique.

Pour obtenir de l'aide

Pour tout problème ou question concernant l'installation, contacter le marchand Dacor ou l'équipe de service à la clientèle Dacor. Pour toute réparation sur les appareils ménagers Dacor sous garantie, contacter la ligne de réparations réservée aux produits Dacor. Lors de la prise de contact, vous devrez communiquer le nom du modèle et le numéro de série de l'appareil. Le modèle et le numéro de série sont imprimés sur l'étiquette de données sur le produit.

Équipe de service à la clientèle Dacor

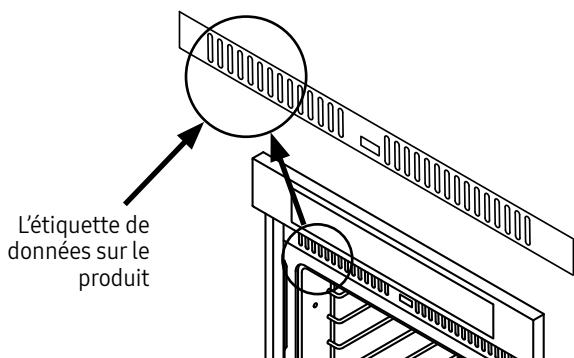
Téléphone : 833-353-5483 (É.-U. et Canada)

Du lundi au vendredi, de 5 h à 17 h, heure du Pacifique

Site Web : www.dacor.com/customer-care/contact-us

L'étiquette de données sur le produit

- L'étiquette de données sur le produit contient de l'information sur le modèle et le numéro de série, ainsi que l'alimentation en électricité.
- On peut le voir à travers le grill situé sous le tableau de commande. Ouvrir la porte pour exposer le grill. Sur les fours doubles, la plaque est située derrière le grill du haut.



Identification du modèle

HWO230FS/208V

A B C D E F

Désignateur	Nom	Description
A	Séries De Modèle	(HWO) Heritafe Wall Oven
B	Nombre De Chambres De Cuisson	1 (simple); 2 (double)
C	Largeur	pouces (plein extérieur)
D	Style de Poignée	F: Poignée intégré; P: Pro; Aucun caractère: Epicure
E	Couleur	B: Noir; S: Acier inoxydable; W: Blanc
F	Tension	208V: 208 VCA; Aucun caractère: 240 Vac

PRESCRIPTIONS D'INSTALLATION

Spécifications électriques

- Il incombe au propriétaire de s'assurer qu'un électricien agréé effectue l'installation de l'alimentation pour cet appareil ménager. Le raccordement électrique, y compris la taille et la mise à la terre minimum du fil d'alimentation, doit être effectué selon le National Electric Code ANSI/NFPA 70 et les codes et ordonnances locaux.

Pour obtenir un exemplaire de la norme des codes, contacter:

National Fire Protection Association
1 Batterymarch Park
Quincy, Massachusetts 02269, États-Unis

- La tension, la fréquence et l'intensité de courant électrique appropriées doivent être assurées à la boîte de jonction à partir d'un circuit monophasé mis à la terre réservé qui est protégé par un disjoncteur ou un fusible à fusion lente de bonne taille. Si on utilise un fusible à fusion lente, protéger les deux côtés de la ligne par un fusible (L1 et L2).
- Les délais de préchauffage et les délais de rétablissement de la température de la cavité seront légèrement plus longs si un appareil de 240 VCA est utilisé avec un circuit de moins de 240 VCA.

- Cet appareil ménager est fourni avec du câblage électrique dans un conduit en métal flexible.

Modèle	Charge branchée totale	Exigences circuit réservé
HWO127	240 VCA 60 Hz, 19,0 Amp., 4,7 kW	240 VCA 60 Hz, 4 fil*, 30 A
HWO130	240 VCA 60 Hz, 24,5 Amp., 6,0 kW	240 VCA 60 Hz, 4 fil*, 30 A
HWO227	240 VCA 60 Hz, 39,4 Amp., 9,5 kW	240 VCA 60 Hz, 4 fil*, 40 A
HWO230	240 VCA 60 Hz, 48,6 Amp., 12,0 kW	240 VCA 60 Hz, 4 fil*, 50 A

* Deux fils sous tension de 120 VCA (L1 et L2), une neutre, un mis à la terre.

Les spécifications illustrées sont aux fins de référence uniquement. Voir l'étiquette de données sur le produit (voir page 14) pour les spécifications exactes.

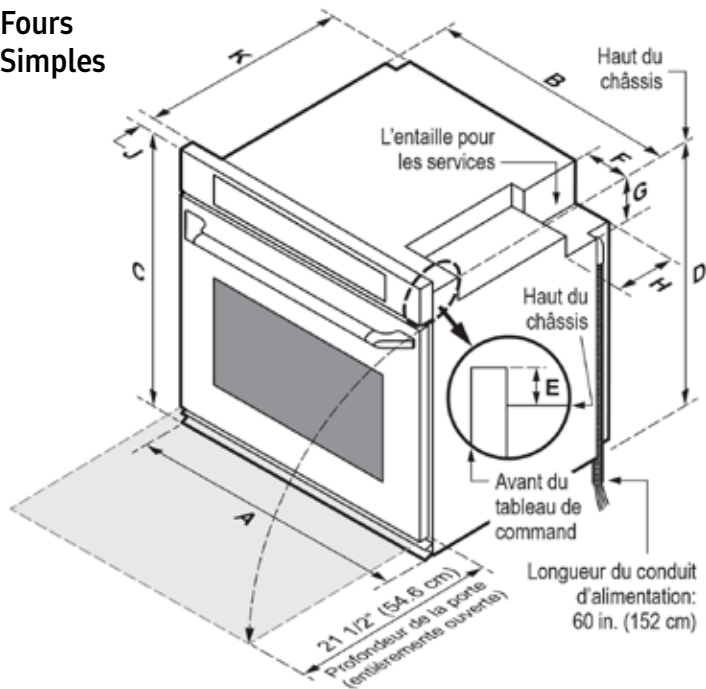
PRESCRIPTIONS D'INSTALLATION

Dimensions du produit

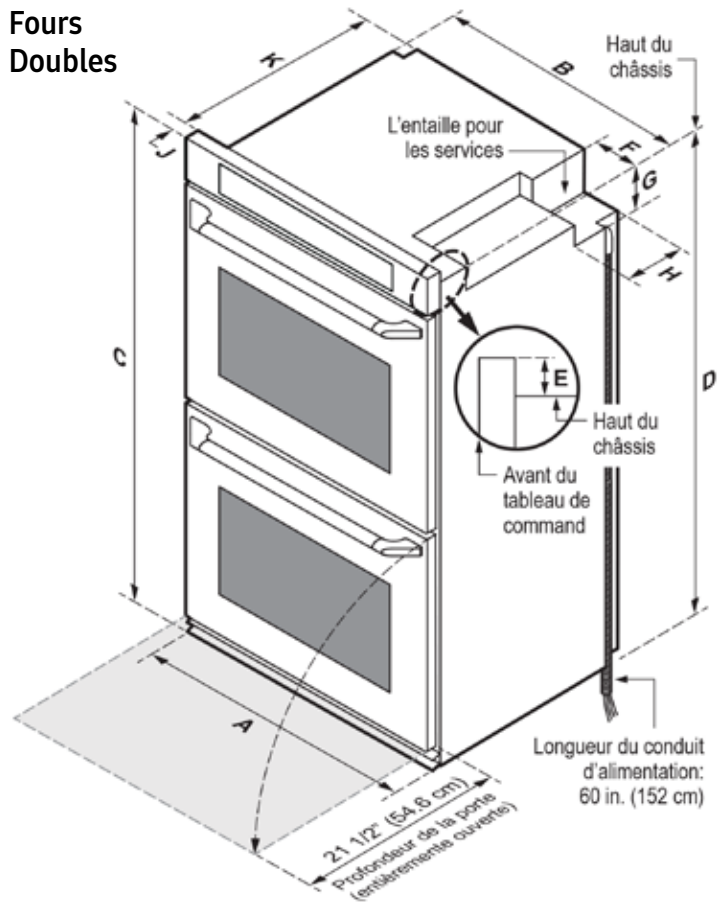
Toutes les tolérances : $\pm 1/16$ ($\pm 1,6$ mm), sauf indication contraire

Modèle	(A)	(B)	(C)	(D)	(E)
HWO127	26 7/8" (68,3 cm)	25 1/2" (64,8 cm)	27 3/4" (70,5 cm)	26 5/8" (67,6 cm)	1 1/8" (2,9 cm)
HWO130	29 7/8" (75,9 cm)	28 1/2" (72,4 cm)			
HWO227	26 7/8" (68,3 cm)	25 1/2" (64,8 cm)	50 1/8" (127,3 cm)	49" (124,5 cm)	
HWO230	29 7/8" (75,9 cm)	28 1/2" (72,4 cm)			
	(F)	(G)	(H)	(J)	(K)
Tous les modèles	6 1/2" (16,5 cm)	5" (12,7 cm)	7 7/8" (20,0 cm)	1 1/4" (3,2 cm)	23 1/2" (59,7 cm)

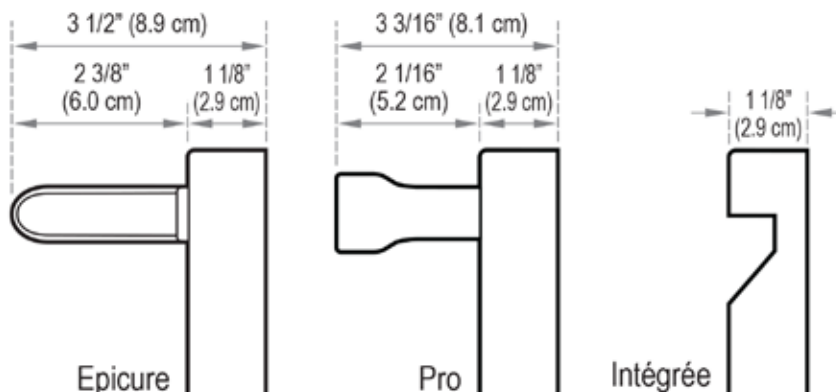
Fours Simples



Fours Doubles



Poignée (vue latérale)



PRESCRIPTIONS D'INSTALLATION

Planification de l'installation

AVERTISSEMENT

Respecter tous les codes et ordonnances existants pendant la planification et l'installation. Communiquer avec le service de la construction local pour obtenir plus de renseignements.

IMPORTANT

- Situer la boîte de jonction afin que le four puisse être débranché facilement au cas où il devrait être retiré complètement du mur pour l'entretien.
- Si le four n'est pas installé horizontalement, la cuisson peut être mauvaise ou irrégulière.

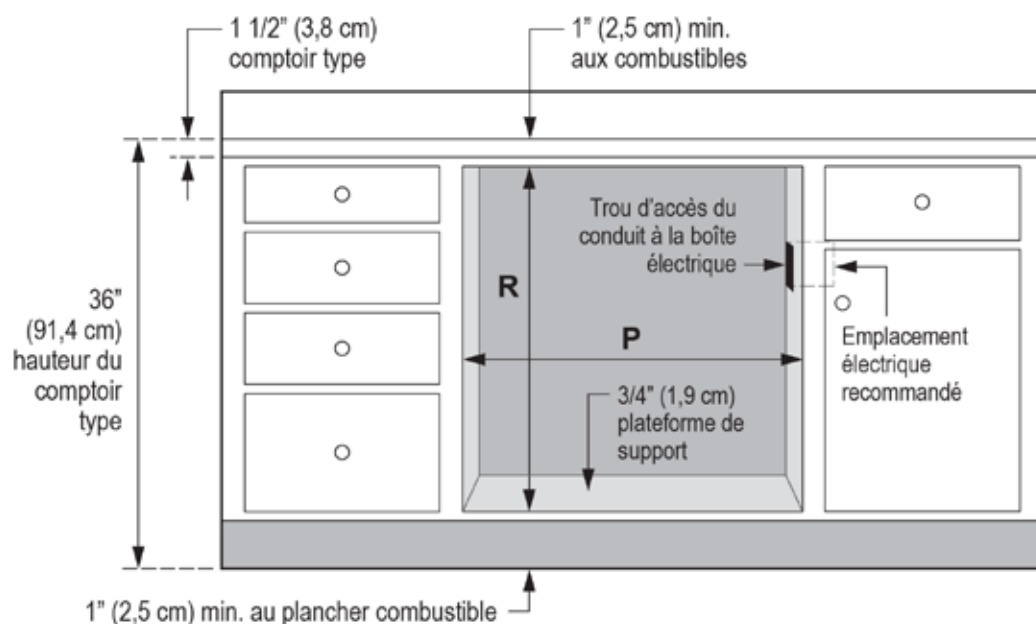
- Vérifier attentivement l'emplacement où sera installé l'appareil ménagers. L'appareil ménager devrait être placé de façon à permettre un accès pratique. S'assurer que l'alimentation électrique, respectant les spécifications indiquées à la page 14, peut être assurée à l'emplacement choisi.

- Dacor recommande d'installer la boîte de connexion électrique à l'un des emplacements indiqués à la page opposée.
- Installer la boîte de connexion à un emplacement qui permet l'enlèvement de l'appareil ménager de l'entaille afin d'être réparé sans être débranché.
- Planifier l'installation afin de respecter ou dépasser tous les dégagements minimums. Les dimensions indiquées offrent les dégagements minimums, sauf indication contraire. S'assurer de tenir compte du dégagement approprié pour la porte du four lorsqu'elle est ouverte selon les Dimensions du produit.
- La profondeur et la largeur de l'armoire doivent encadrer complètement la partie enfoncée de l'appareil ménager.
- Toutes les surfaces qui touchent l'appareil ménager doivent être solides, horizontales et en retour d'équerre.
- Prévoir une plateforme dans l'armoire pour soutenir l'appareil ménager. Elle doit être installée horizontalement et droite. Le bord supérieur de la plateforme doit être égal à l'entaille à l'avant de l'armoire. Il n'y a pas de dispositions pour niveler l'appareil ménager une fois installé. Un contreplaqué d'une épaisseur de 3/4" (1,9 cm) est recommandé.

Dimensions de l'armoire Toutes les tolérances : ±1/16 (±1,6 mm), sauf indication contraire

Model	(N) Largeur du placard, minimum	(P) Largeur de l'ouverture découpée	(R) Hauteur de l'ouverture découpée
HWO127	27" (68.6 cm)	25 5/8" (65.1 cm) min. (recommandé) or 26 1/8" (66.4 cm) max.	26 3/4" (67.9 cm) min. (recommandé) or 27 1/2" (69.9 cm) max.
HWO130	30" (76.2 cm)	28 5/8" (72.7 cm) min. (recommandé) or 29 1/8" (74.0 cm) max.	
HWO227	27" (68.6 cm)	25 5/8" (65.1 cm) min. (recommandé) or 26 1/8" (66.4 cm) max.	49 1/8" (124.8 cm) min. (recommandé) or 49 7/8" (126.7 cm) max.
HWO230	30" (76.2 cm)	28 5/8" (72.7 cm) min. (recommandé) or 29 1/8" (74.0 cm) max.	

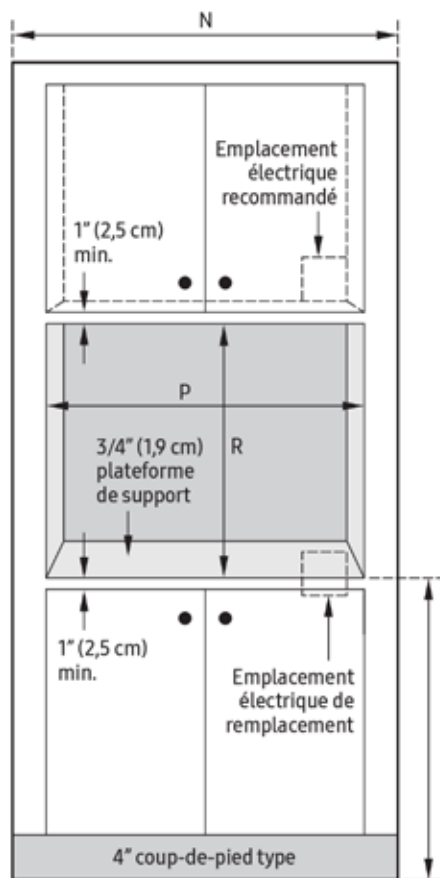
Profondeur minimum de l'intérieur de l'armoire: 24" (61,0 cm)



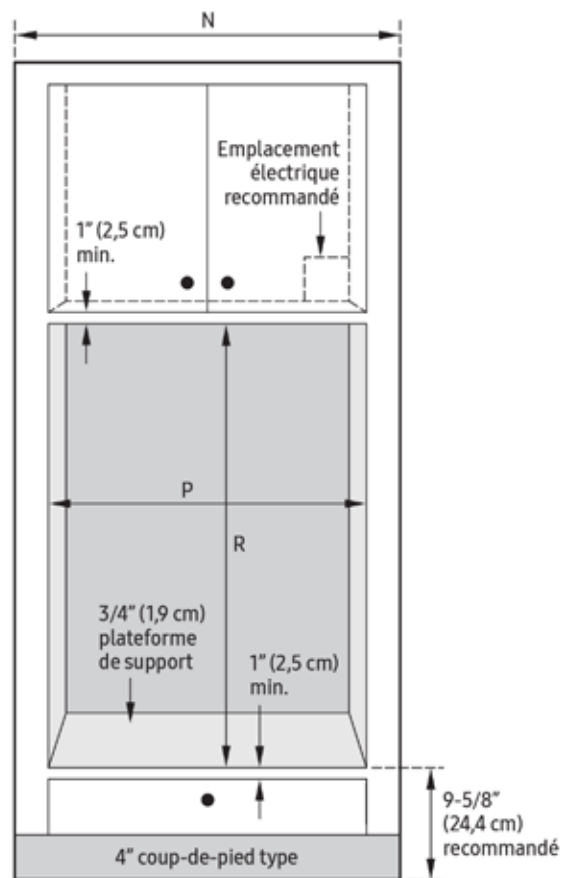
**Four simple
sous le plan
de travail**

PRESCRIPTIONS D'INSTALLATION

Dimensions de l'armoire, suite Toutes les tolérances : $\pm 1/16$ ($\pm 1,6$ mm), sauf indication contraire



Four Simple - Dimensions du placard



Four Double - Dimensions du placard

INSTRUCTIONS D'INSTALLATION

Vérifier le contenu de l'emballage

Ces articles devraient venir avec le four. Contactez immédiatement votre revendeur à propos d'articles manquants / endommagés. N'installez pas un four incomplet / endommagé.

- Vis de montage (#6 x 3/4), Pièce n° 83331, 4 pour simple, 6 pour double
- Grilles de four standard, 1 pour four simple, 2 pour four double
- Grilles de four GlideRack^{MC}, 2 pour four simple, 4 pour four double
- Lèchefrite avec grille
- Produit de nettoyage Dacor pour acier inoxydable (Modèles en acier inoxydable seulement)
- Sonde thermique

Enlèvement de la porte

Enlever la porte pour faciliter le déplacement de la four pendant le processus d'installation.

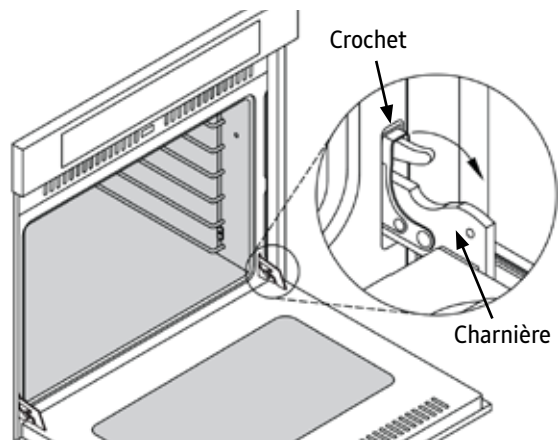
AVERTISSEMENT

- Ne pas tenter de dégager les crochets de charnière avec la porte retirée du four. Les ressorts de charnières pourraient se libérer et causer des blessures.
- Ne transportez pas le porte par le poignée.
- Sur les fours doubles, retirer premièrement la porte du bas afin de réduire le risque de dommages.

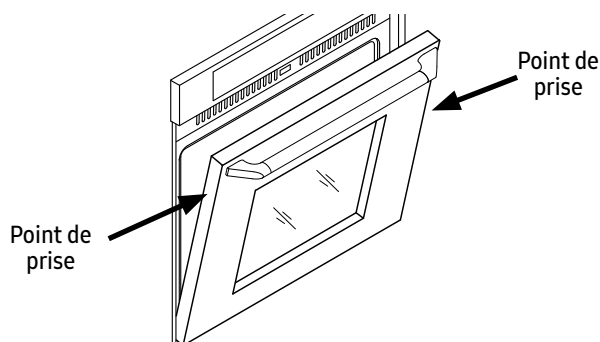
INSTRUCTIONS D'INSTALLATION

Enlèvement de la porte, suite

1. Ouvrir complètement la porte.



2. Utiliser une pince demi-ronde et un tournevis plat pour tourner le crochet sur le bras de retenue sur les deux charnières.
3. Lever la porte du four à un angle d'environ 15 degrés de la position verticale.



4. Tenir la porte avec les deux mains juste sous la poignée. Tirer la porte vers le haut en l'éloignant du four.

Connexion électrique

AVERTISSEMENT

- Si l'électricité fournie ne répond pas aux spécifications du produit, ne pas procéder à l'installation. Communiquer avec un professionnel qualifié pour l'installation appropriée des services nécessaires.
- Le fait de ne pas débrancher l'alimentation avant l'installation peut entraîner un risque de choc électrique ou d'incendie.
- Ne pas ouvrir l'alimentation à l'appareil ménager avant que ce dernier ne soit bien mis à la terre selon les présentes instructions.
- L'installateur doit raccorder la borne de terre (ou borne de raccordement) sur l'appareil à un réseau de filerie métallique permanent mis à la terre ou un conducteur de mise à la terre. Ne pas le faire peut créer un risque de commotion électrique.
- Ne pas utiliser une rallonge électrique avec cet appareil. Utiliser une rallonge pourrait causer un incendie, une commotion électrique ou des blessures.
- Ne pas installer un fusible dans le circuit neutre ou de mise à la terre. Un fusible dans le circuit neutre ou de mise à la terre peut entraîner le risque d'une commotion électrique.
- L'appareil ménager doit être branché à l'alimentation à l'aide de fil de cuivre uniquement. L'utilisation de fil en aluminium peut créer des conditions insatisfaisantes.

IMPORTANT

Donner du mou dans le conduit afin de permettre au four de glisser vers l'avant pour l'entretien.

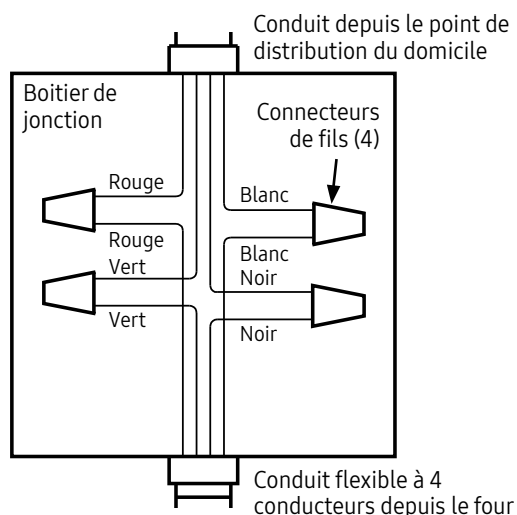
REMARQUE

Les raccordements électriques de la conduite de l'appareil fournie peuvent être d'un calibre plus petit que le câblage standard du domicile de la conduite d'alimentation réservée. Ils répondent aux exigences du raccordement au câblage du domicile selon les attributions du National Electric Code et/ou de l'autorité de l'inspection locale.

1. Avant de poursuivre, couper l'alimentation au circuit auquel sera branché l'appareil au niveau du tableau disjoncteurs ou du coffret de fusibles.
2. Positionner le four directement devant l'entaille de l'armoire.
3. Passer la conduite de l'appareil dans la boîte de jonction électrique et le fixer à l'aide d'un réducteur de tension approuvé par l'UL.
4. Selon les codes locaux, utiliser une des trois méthodes pour brancher l'appareil à l'alimentation:
 - a. Brancher un système électrique à quatre fils.
 - b. Brancher un système électrique à trois fils, où les codes locaux le permettent.
 - c. Brancher un système électrique à trois fils avec une mise à la terre externe, selon les codes locaux.

Conduit à 4 conducteurs depuis le point de distribution du domicile

1. Séparer les fils qui sortent de la conduit de l'appareil.
2. Connecter ensemble les 2 conducteurs blancs (N) avec un connecteur de fils.
3. Connecter ensemble les 2 conducteurs noirs (L1) avec un connecteur de fils.
4. Connecter ensemble les 2 conducteurs rouges (L2) avec un connecteur de fils.
5. Connecter ensemble les 2 conducteurs vert (T) avec un connecteur de fils.



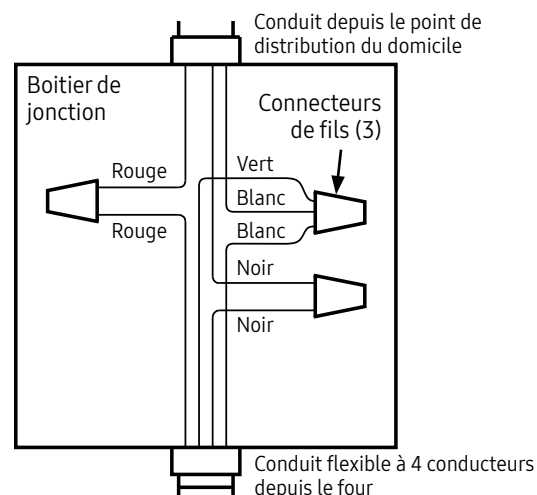
INSTRUCTIONS D'INSTALLATION

Conduit à 3 conducteurs depuis le point de distribution du domicile - où les codes locaux le permettent

ADVERTISSEMENT

Ne pas brancher le fil vert de l'appareil au fil neutre (blanc) de la boîte de jonction à moins que les codes locaux le permettent.

1. Séparer les fils qui sortent de la conduite de l'appareil.
2. Connecter les 2 conducteurs blancs (N) et le conducteur vert (T) de liaison à la terre avec un connecteur de fils.
3. Connecter ensemble les 2 conducteurs noirs (L1) avec un connecteur de fils.
4. Connecter ensemble les 2 conducteurs rouges (L2) avec un connecteur de fils.



Conduit à 3 conducteurs depuis le point de distribution du domicile avec terre externe - où les codes locaux le permettent (voir la page opposée)

ADVERTISSEMENT

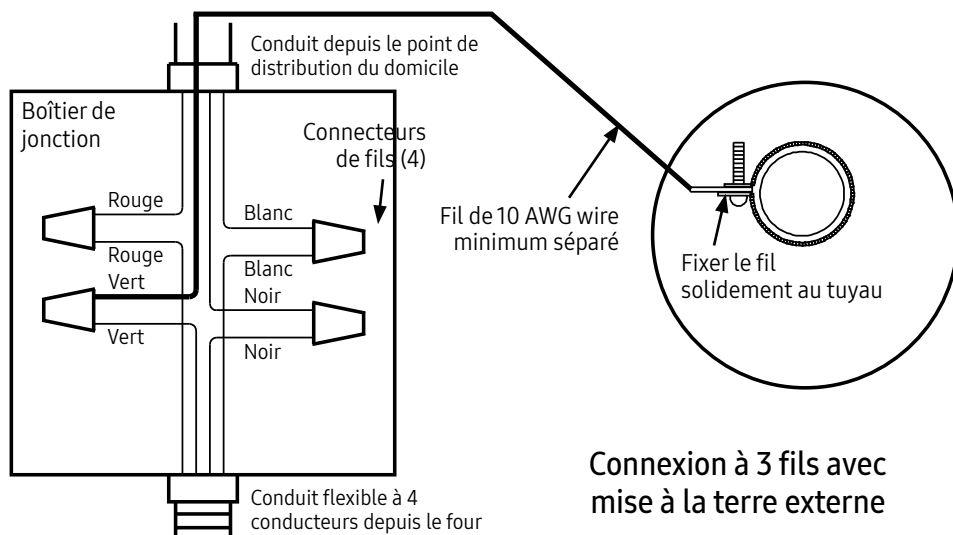
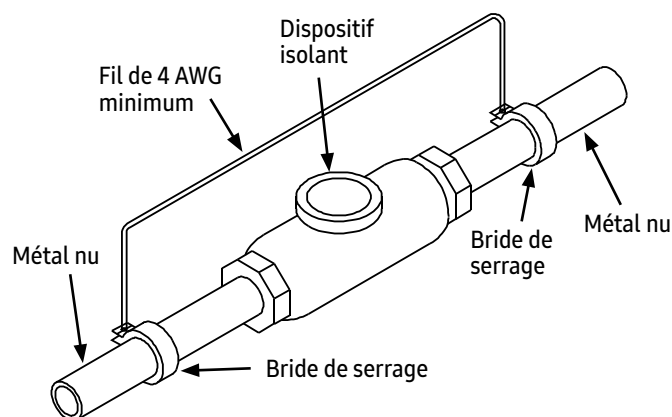
- Ne pas mettre à la terre l'appareil à un tuyau d'alimentation en gaz ou à un tuyau d'eau chaude.
- Au raccordement du fil de mise à la terre à un tuyau d'eau froide mis à la terre, raccorder à l'aide d'un fil de mise à la terre séparé en cuivre (no 10 minimum) et une bride avec une vis de mise à la terre externe. Le tuyau d'eau froide mis à la terre doit avoir de la continuité de métal pour la mise électrique à la terre et ne doit pas être interrompu par des matériaux isolants. Tous les matériaux isolants doivent être sautés, avec un fil de 4 AWG minimum pour établir la continuité à la mise à la terre.

REMARQUE

Si la boîte de jonction a été correctement mise à la terre par un électricien agréé, le fil vert (mise à la terre) de la conduite de l'appareil peut être raccordé à la boîte de connexion à l'aide d'une borne en boucle.

1. Séparer les fils qui sortent de la conduite de l'appareil.
2. Connecter ensemble les 2 conducteurs blancs (N) avec un connecteur de fils.

3. Connecter ensemble les 2 conducteurs noirs (L1) avec un connecteur de fils.
4. Connecter ensemble les 2 conducteurs rouges (L2) avec un connecteur de fils.
5. Brancher le fil vert de la conduite de l'appareil à un tuyau d'eau froide mise à la terre tel qu'illustré. Sauter les matériaux isolants tel qu'illustré ci-dessus à l'aide d'un fil en cuivre no 4. Fixer solidement le fil à du métal nu aux deux bouts.



Connexion à 3 fils avec mise à la terre externe

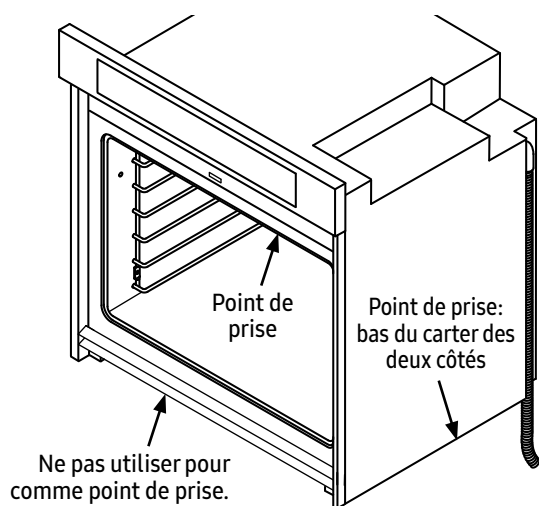
INSTRUCTIONS D'INSTALLATION

Installation du four dans l'armoire

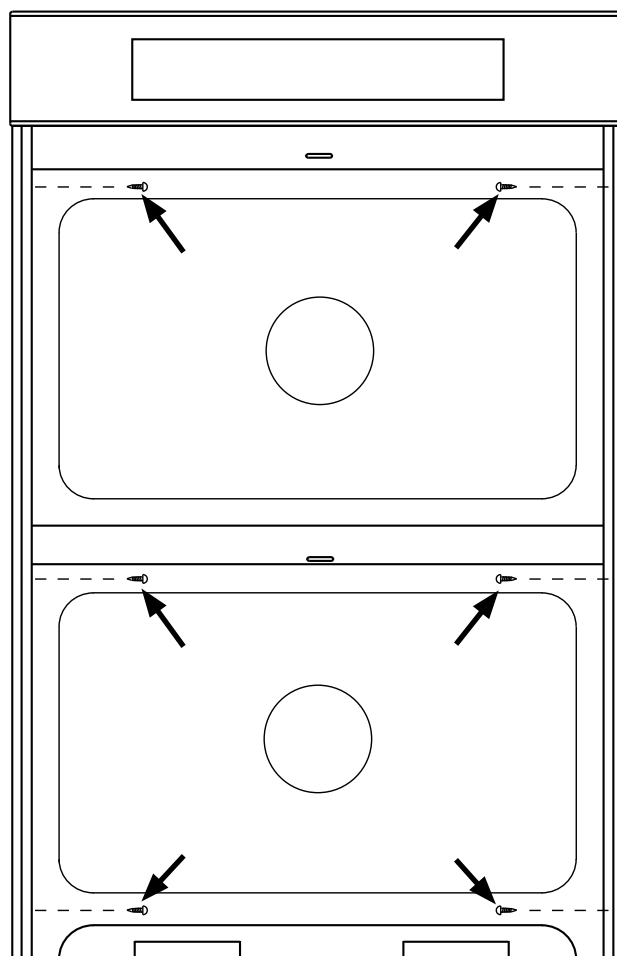
AVERTISSEMENT

- Afin de prévenir les blessures attribuables au basculement vers l'avant de l'appareil, fixer l'appareil à l'armoire à l'aide des vis de montage fournies comme indiqué.
- Ne pas bloquer l'évacuation d'air du four situé au bas du four. Bloquer l'admission peut causer un incendie, des dommages à l'armoire ou un mauvais rendement.
- Au moins deux personnes sont requises pour l'installation sécuritaire de l'appareil ménager.

1. Lever le four encastré à l'entaille de l'armoire, en utilisant le bord supérieur de l'ouverture de la cavité et le bas du carter du four comme points de prise. S'assurer de prendre toutes les précautions de sécurité nécessaires en raison du poids de l'appareil ménager.



2. En reposant le four sur la plateforme de fixation de l'armoire, glisser le four dans la zone renfoncée jusqu'à ce que le bord arrière du cadre du four soit égal au-devant de l'armoire et que le four est centré dans l'entaille. S'assurer que la conduit électrique passe par l'ouverture dans la plateforme de l'armoire ou les serpentins au-dessus du châssis du four lorsqu'on glisse le four en place. Le conduit doit être placé dans la zone renfoncée située le long du bord vertical arrière du four ou enroulé au-dessus du châssis du four. Ne pas enfermer le câble de l'appareil entre le dos du carter du four et le mur arrière.
3. Situer les trous de fixation dans la garniture sur les deux côtés du four. Il y a quatre (4) trous, deux (2) trous de chaque côté, pour les modèles de four simple et six (6) trous pour les modèles de four double.
4. Utiliser un trépan de 1/16 de pouce pour percer des avant-trous dans l'armoire à travers tous les trous de fixation de la garniture.
5. Installer toutes les vis no 6 fournies à travers la garniture du four dans l'armoire pour fixer le four. Ne pas trop serrer les vis.



Vis de montage (4: simple; 6: double)

Installation de la porte

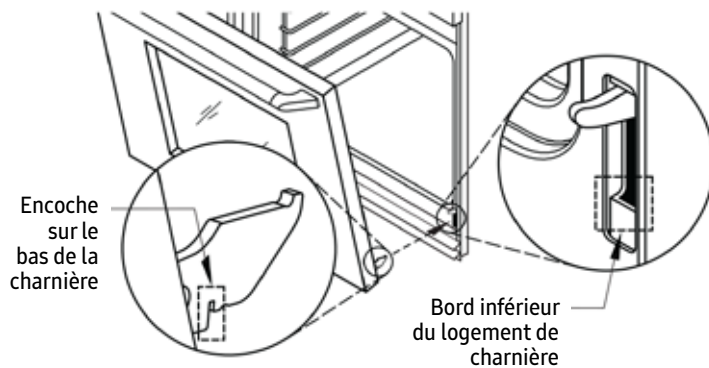
AVERTISSEMENT

Afin d'éviter les blessures ou les dommages à la porte si elle tombe des charnières:

- S'assurer que l'encoche au bas de chaque charnière repose sur la lèvre inférieure de chaque logement de charnière avant de tenter d'ouvrir la porte du four.
- Tourner les verrous de la charnière vers l'avant de l'appareil immédiatement après l'installation de la porte.
- Sur les fours doubles, installer premièrement la porte du haut afin de réduire le risque d'endommager la porte du bas pendant l'installation.

1. Saisir les côtés opposés de la porte du four et tenir la porte à un angle de 15 degrés par rapport à l'avant du four. Glisser les charnières dans les ouvertures réservées aux charnières, sur le bas des bras d'articulation des logements de charnières. Continuer de tenir la porte à un angle de 15 degrés avec une main, tout en enfonçant chaque coin du bas de la porte. Pousser jusqu'à ce que l'encoche sur le bas de chaque charnière passe par-dessus le bord inférieur de chaque logement de charnière.

INSTRUCTIONS D'INSTALLATION



2. Ouvrir complètement la porte.
3. Tourner les deux crochets de charnière vers le four.
4. Lentement et soigneusement, ouvrir et fermer complètement la porte pour vérifier qu'elle est bien installée.

Vérification du bon fonctionnement

1. Retirer le revêtement plastique de protection de l'appareil, y compris sa porte.
2. Retirer les emballages de l'intérieur du four.
3. Glisser les grilles du four sur les supports à l'intérieur des chambres de cuisson selon le manuel d'utilisation.
4. Alimenter à l'appareil au niveau du disjoncteur ou du coffret de fusibles.
5. Régler l'horloge selon le manuel d'utilisation.



REMARQUE

Pour les fours doubles, vérifier le fonctionnement du four du haut et du bas.

6. Appuyer sur la touche BAKE (cuisson du four) sur le tableau de commande. La température de cuisson par défaut devrait apparaître sur l'affichage.
7. Appuyer sur START (démarrer). Après environ trois (3) minutes, l'élément de cuisson du bas devrait luire rouge à travers le verre.
8. Appuyer sur CANCEL/SECURE (annuler/sécuriser).
9. Appuyer sur la touche BROIL (grillage) sur le tableau de commande. La température de grillage par défaut devrait apparaître sur l'affichage.
10. Appuyer sur START (démarrer). Après environ trois (3) minutes, l'élément de grillage du haut devrait luire rouge à travers le verre.
11. L'appareil ménager ne fonctionne pas correctement, suivre ces étapes de dépannage :
 - Vérifier que l'alimentation est en marche au niveau du tableau disjoncteurs ou du coffret de fusibles.
 - Si l'alimentation est correctement fournie, fermer l'alimentation au niveau du tableau disjoncteurs ou du coffret de fusibles et vérifier les raccordements électriques.
 - Ouvrir l'alimentation et répéter l'épreuve ci-dessus.
 - Si l'appareil ménager ne fonctionne toujours pas, communiquer avec la ligne de réparation réservée aux produits Dacor au 833-353-5483. Ne pas tenter de réparer l'appareil ménager soi-même. Si des services sont nécessaires, s'assurer d'avoir le modèle et les numéros de série en main au moment de l'appel. Voir page 14 pour connaître l'emplacement.

Liste de vérification de l'installation



AVERTISSEMENT

Afin de garantir une installation sécuritaire et appropriée, l'installateur devrait terminer la liste de vérification suivante afin de veiller à ce qu'aucune partie de l'installation ne soit oubliée.

- L'appareil ménager est-il installé sur une plateforme de support solide et horizontale? Voir page 16.
- L'appareil ménager est-il câblé et mis à la terre selon ces instructions et conformément à tous les codes électriques en vigueur? Les raccordements sont-ils serrés? Voir pages 14 et 21.
- L'appareil ménager est-il fixé dans l'armoire avec toutes les vis de fixation. Voir page 23.
- La porte du four est-elle bien installée conformément à ces instructions. Voir page <?>.
- Le bon fonctionnement a-t-il été vérifié?
- La garantie a-t-elle été activée en ligne ou la carte de garantie a-t-elle été remplie et envoyée par la poste?

dacor

LET THE SHOW BEGIN