

# 48-Inch Gas Rangetop

**\$4,199-\$4,399**

**dacor**



**DTT48T960GS/DA** – Silver Stainless, Natural Gas/Liquid Propane \$4,199

**DTT48T960GM/DA** – Graphite Stainless, Natural Gas/Liquid Propane \$4,399

## Features & Benefits

- Simmersear™ brass burners
- Ultra wide 15" grates
- Auto Connect to compatible ventilation through Bluetooth
- SmartThings Wi-Fi connectivity
- Illumina knobs
- Perma-Flame

## Controls

<b>CONTROL TYPE</b>	Knobs
<b>ILLUMINA KNOBS</b>	White
<b>WI-FI + SMARTTHINGS</b>	Yes
<b>BLUETOOTH AUTO CONNECT™ VENTILATION</b>	Yes
<b>CONTROL SHOWER LIGHTING</b>	Yes

## Cooktop

<b>NUMBER OF BURNERS</b>	6 Brass
<b>PERMA-FLAME™ (AUTO RE-IGNITION)</b>	Yes
<b>LEFT FRONT (BTU)</b>	22,000
<b>LEFT REAR (BTU)</b>	16,000
<b>CENTER FRONT (BTU)</b>	16,000
<b>CENTER REAR (BTU)</b>	16,000
<b>RIGHT FRONT (BTU)</b>	22,000
<b>RIGHT REAR (BTU)</b>	9,000
<b>BRASS BURNER CAPS</b>	Yes
<b>GRIDDLE</b>	Included Accessory
<b>WOK RING</b>	Yes

## Weights & Dimensions

<b>NET WEIGHT (LBS.)</b>	63
<b>SHIPPING WEIGHT (LBS.)</b>	90
<b>PRODUCT DIMENSIONS (W X H X D IN INCHES)</b>	47 7/8 x 8 x 27 7/8
<b>CUT-OUT REQUIRED (W X H X D IN INCHES)</b>	48 x 7 3/4 x 24

## Technical Details

<b>ELECTRICAL REQUIREMENT</b>	120V, 60 Hz, 20A
<b>AVAILABLE FUEL TYPES</b>	Natural Gas, Natural Gas High Altitude, Liquid Propane, Liquid Propane High Altitude
<b>LP CONVERSION KIT (INCLUDED)</b>	Yes

## Warranty

<b>FULL COVERAGE</b>	2 Years
----------------------	---------

## Accessories (Optional)

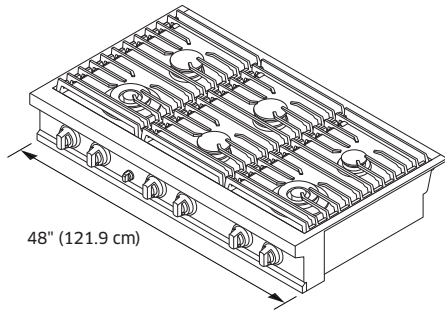
<b>ARG48</b>	Griddle for 48" Range & Rangetop	\$399
--------------	----------------------------------	-------

# 48-Inch Gas Rangetop

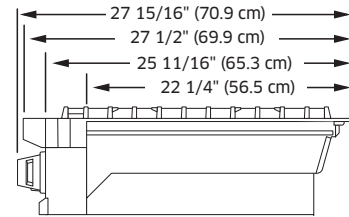
\$4,199-\$4,399



## Appliance Dimensions



## Appliance Dimensions

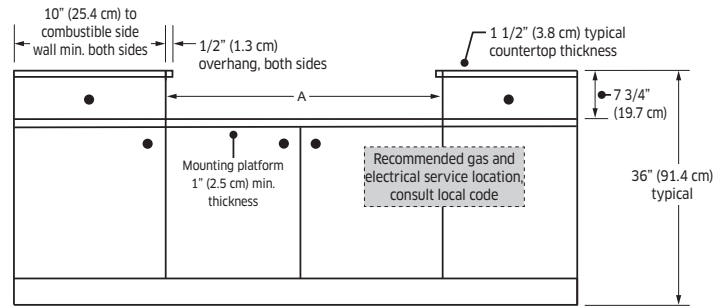


SIDE VIEW

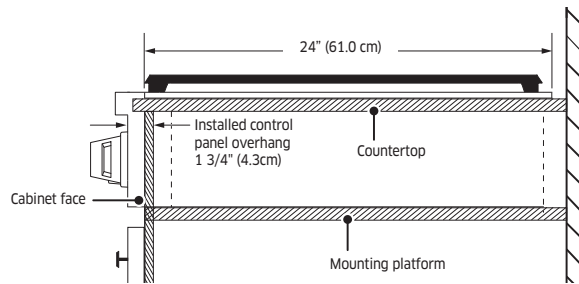
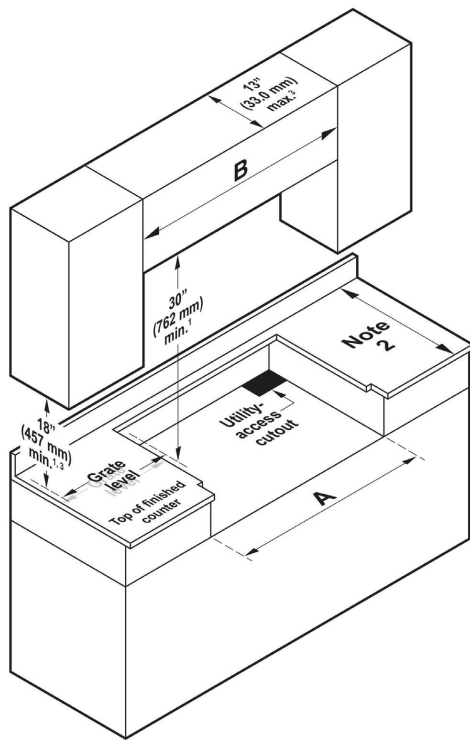
## Installation Requirements

<b>A - RANGETOP CUTOUT (IN/MM)</b>	48 / 121.9
<b>B - RANGE TOP CUTOUT MINIMUM (IN/MM)</b>	48 / 121.9
<b>B - RANGE TOP CUTOUT RECOMMENDED (IN/MM)</b>	54 / 137.2

## Countertop Cutout Dimensions



FRONT VIEW



SIDE VIEW