

FISHER & PAYKEL

PRELIMINARY SPECIFICATION GUIDE

DISHWASHER, 24", TALL, SANITIZE



OVERVIEW

Available in stainless steel with a recessed handle to match Fisher & Paykel's Contemporary family of appliances, this dishwasher is designed to fit flush, for a streamlined finish that will fit any kitchen aesthetic. Flexible storage allows for easy stacking, whilst the combination of clever technologies means a reliable wash performance.

MODELS

Dishwasher, 24", Tall, Sanitize

Stainless steel finish
DW24UNT4X2

SERIES & STYLE

Series 7
Contemporary

FEATURES

- ① Can be installed under counter heights between 33 3/4" to 36 1/8", fitting flush with cabinetry for a seamless look
- ② Tall height offers a generous 25" of usable space and easily accommodates plate sizes up to 13"
- ③ Eight wash programs including specialty Auto, Eco, 60 Min and Glassware cycles
- ④ Extra Dry, Sanitize, Half Load and Intensive wash modifiers provide extra wash options
- ⑤ Fan-assisted drying with end-of-cycle auto-door-open removes excess moisture, and leaves your dishes with a dry finish
- ⑥ Fully flexible racking including adjustable middle basket and cup racks, foldable wine racks, full-width utensil tray and cutlery basket
- ⑦ With touch controls, floor-light cycle status indicator and interior LED lighting
- ⑧ Wi-Fi capability and a SmarthQ™ app connectivity for remote control and notifications
- ⑨ With Energy Star 'Most efficient' rating*
- ⑩ Quiet wash performance, running at a low decibel rating of 42dBA**

*Subject to change. Final certification pending.

**Noise subject to change.

FISHER & PAYKEL

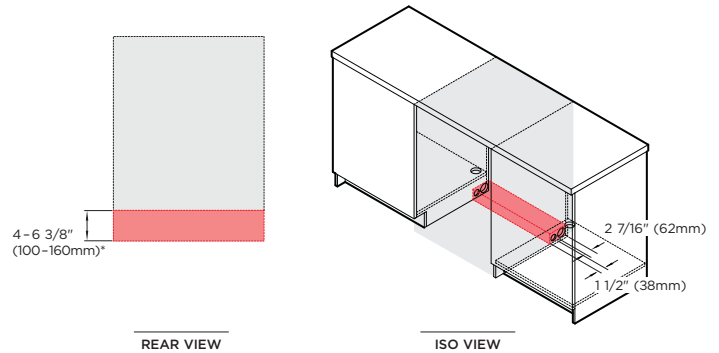
PRELIMINARY SPECIFICATION GUIDE

DISHWASHER, 24", TALL, SANITIZE

PRODUCT SPECIFICATIONS

Model No.	DW24UNT4X2
Dimensions	H 33 3/4 - 36 1/8" (857 - 917mm) W 23 1/2" (597mm) D 22 5/8" (574mm)
Electrical	
Supply	120V, 60Hz
Service	10A
Plumbing	
Supply	3/4" BSP Male Fitting
Pressure	Min 5 psi (34.5 kPa), max 150 psi (1034 kPa) Hot water connection @ max 140°F (20°C)

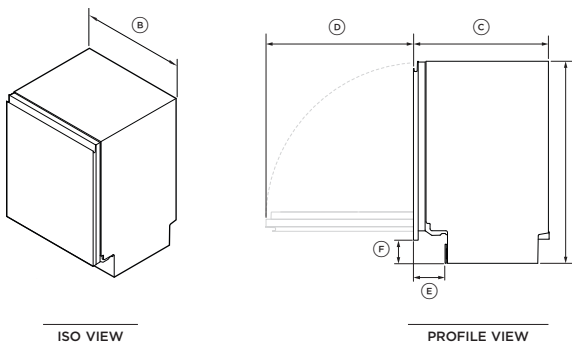
PLUMBING AND ELECTRICAL



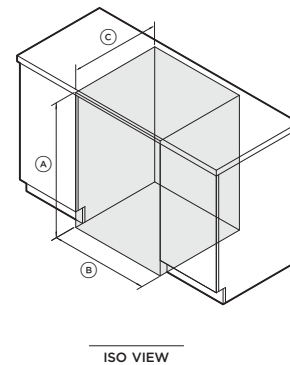
Service outlet at rear extends both sides, hoses and cords can be routed to either or both sides.

*Depending on adjustment of levelling feet.

PRODUCT DIMENSIONS



CAVITY DIMENSIONS: STANDARD INSTALLATION



	in	mm
(A) Overall height*	33 3/4 - 36 1/8	857 - 917
(B) Overall width**	23 1/2	597
(C) Overall depth	22 5/8	574
(D) Depth of open door	25 13/16	656
(E) Depth of toe kick recess	5 3/8	136
(F) Height from floor to door panel base	3 11/16 - 6	93 - 153

*Depending on adjustment of levelling feet

**Excluding side seals

Custom panel/toe kick panel thickness not included in these dimensions

	in	mm
(A) Minimum overall height*	33 3/4	857
(B) Minimum overall width	23 5/8	600
(C) Minimum overall depth**	22 13/16	580

*Depending on adjustment of levelling feet

**Includes front panels