

# BEASLEY SINGLE-HOLE BATHROOM FAUCET

SKU: 948570

Code: SHWSCBE107



## FEATURES

Material: Metal construction for strength and durability

Installation Type: Single-Hole

Flow Rate: 1.2 gpm (4.5 L/min) @ 60 psi

Cartridge Type: Ceramic Disc

Swivel Spout: No

Drain Type: Metal push-pop with overflow

ASME A112.18.1/CSA B125.1, NSF/ANSI 372, NSF/ANSI 61, NSF/ANSI/CAN 61, NSF/ANSI/CAN 61-9:Q≤1, ICC/ANSI A117.1, CEC Listed, CALGreen, WaterSense by IAPMO, Massachusetts Accepted, LISTED ID: SHWSCBE107\*



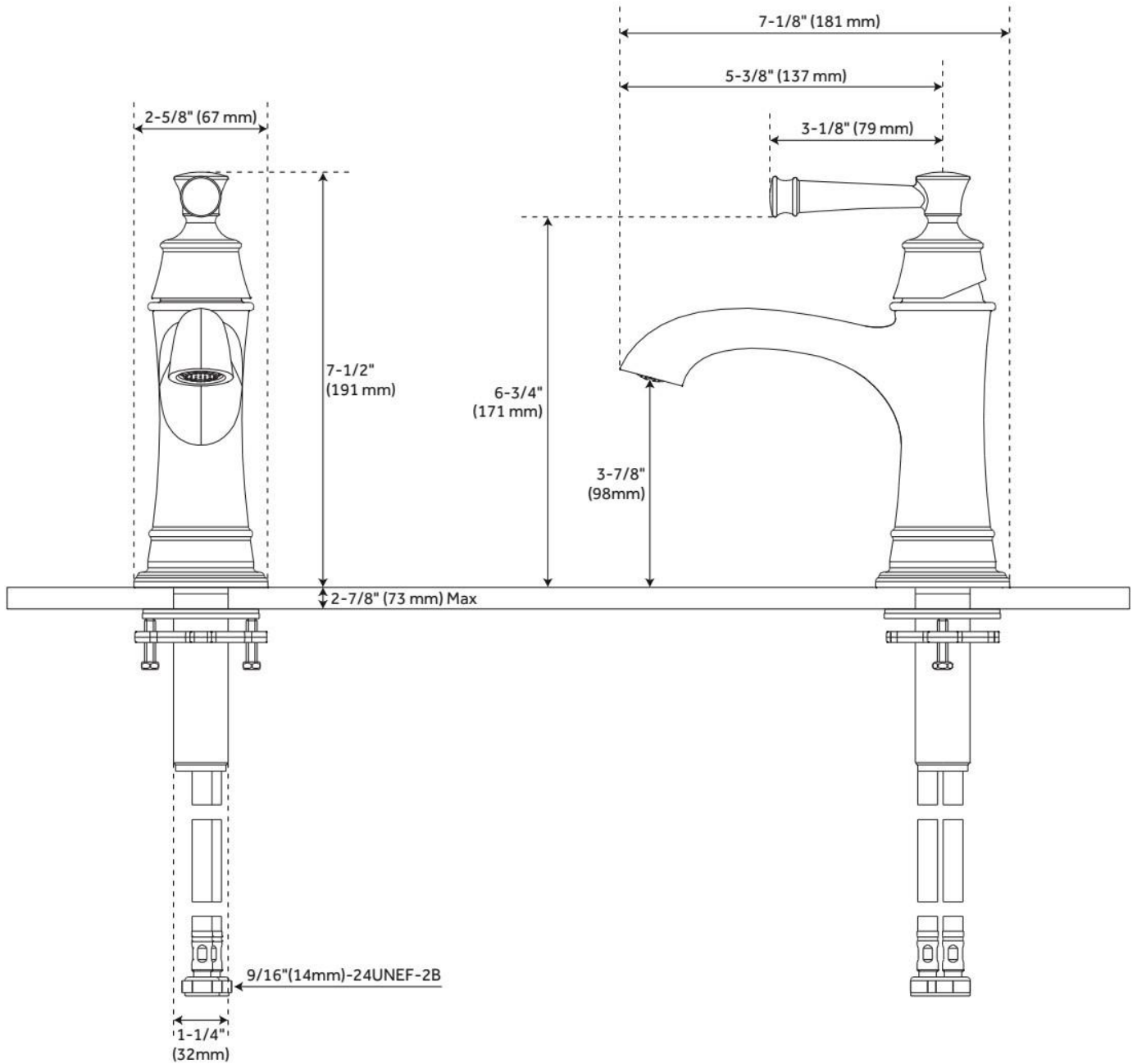
## ADDITIONAL FEATURES

- Drain is only compatible with sinks that have an overflow.

REVISED 6/9/2024

# BEASLEY SINGLE-HOLE BATHROOM FAUCET

SKU: 948570  
Code: SHWSCBE107

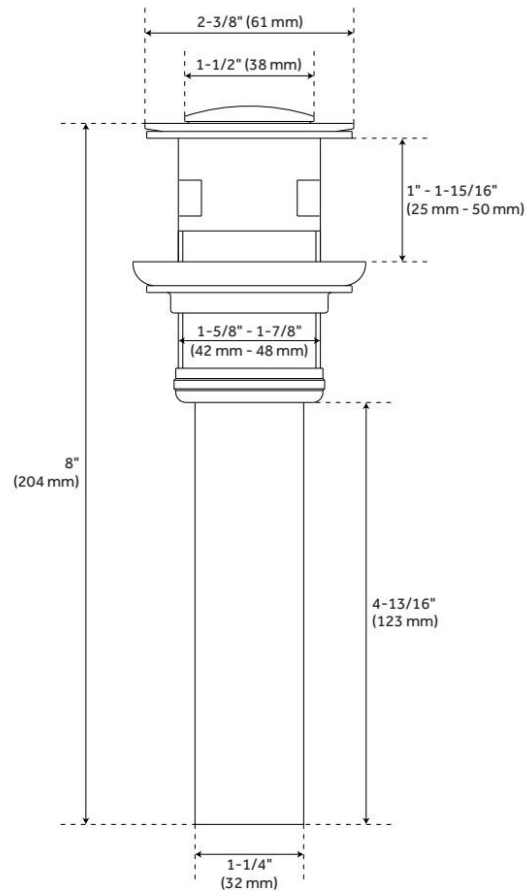


REVISED 6/9/2024

# BEASLEY SINGLE-HOLE BATHROOM FAUCET

SKU: 948570

Code: SHWSCBE107



REVISED 6/9/2024