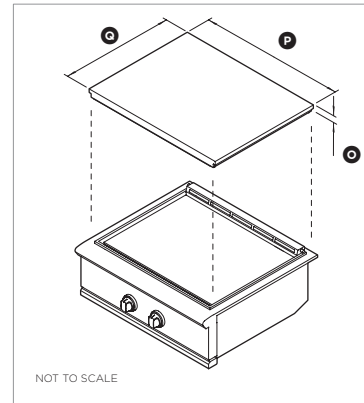
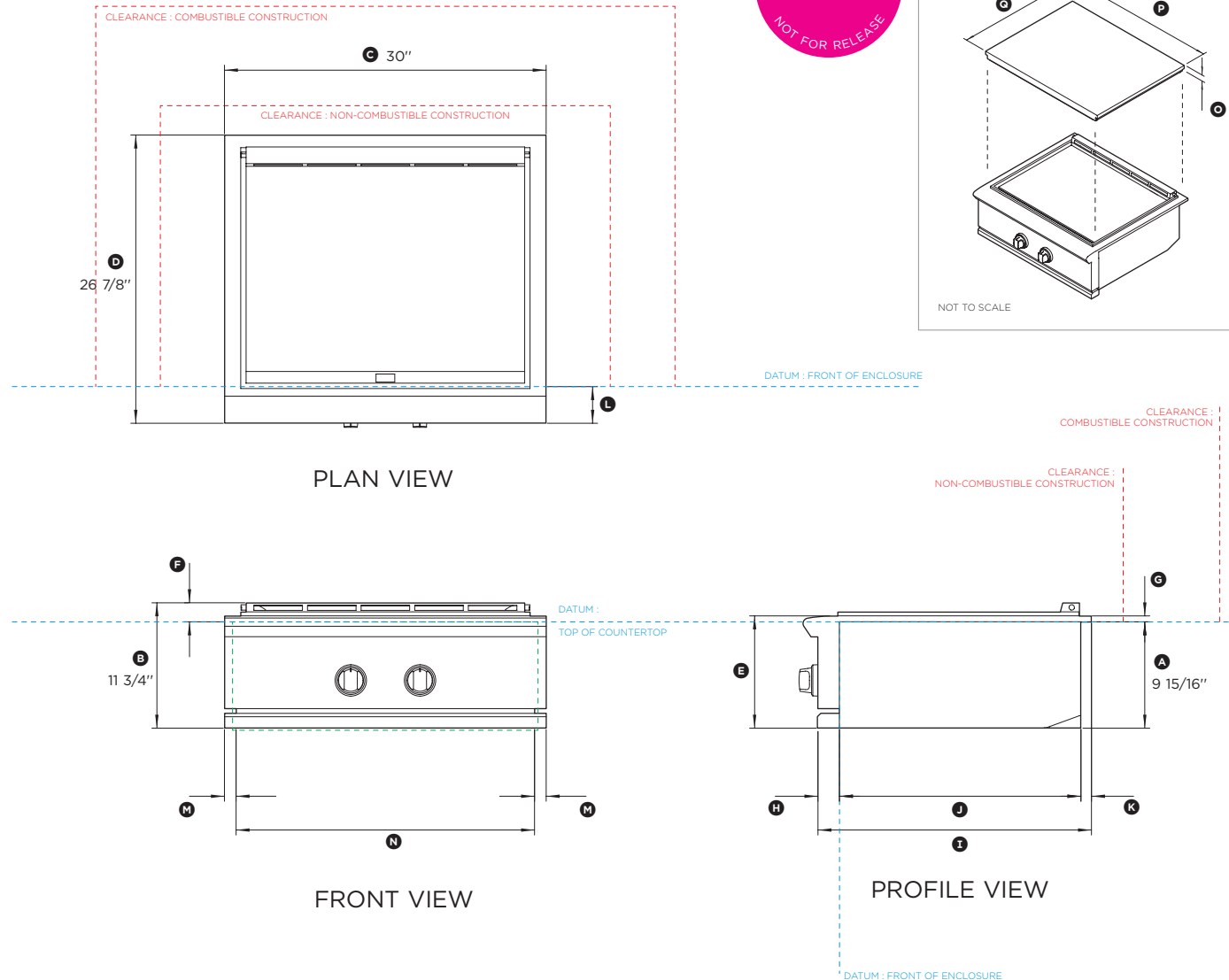


WORK IN PROGRESS
DRAFT ONLY
 NOT FOR RELEASE



Model no:

GDE1-30 (refer page 2 for metric measurements)

Dimensions	in
Ⓐ Height below countertop datum to bottom of chassis	9 15/16"
Ⓑ Overall height of grill	11 3/4"
Ⓒ Overall width of grill	30"
Ⓓ Overall depth of grill (excluding knobs)	26 7/8"
Ⓔ Height of chassis	10 1/2"
Ⓕ Height above countertop	1 13/16"
Ⓖ Height of chassis above countertop	9/16"
Ⓗ Depth of control panel to front datum	2"
Ⓘ Depth from control panel to rear of product	25 1/2"
Ⓚ Depth from front datum to rear of chassis below countertop	22 1/2"
Ⓛ Depth of rear flange	1"
Ⓜ Depth from chassis bullnose to front datum	3 3/8"
Ⓝ Width of side flanges	1 1/16"
Ⓞ Width of chassis inside enclosure	27 13/16"
Ⓟ Height of lid	1 11/16"
Ⓠ Width of lid	29 1/2"
Ⓡ Depth of lid	22 15/16"

Minimum Clearances	in
Overall width of cavity	28 1/2"
Overall depth of cavity	22 3/4"
Overall height of cavity	10 1/8"
Clearance to vertical non-combustible surface above countertop at rear	3"
Clearance to vertical non-combustible surface above countertop at sides	6"
Clearance to vertical combustible surface above countertop at rear and sides	12"

If the griddle is to be placed into a combustible enclosure, an approved insulated jacket is necessary. Use only the DCS insulated jacket which has specifically been designed and tested for this purpose.

30" insulated jacket part number: 70859

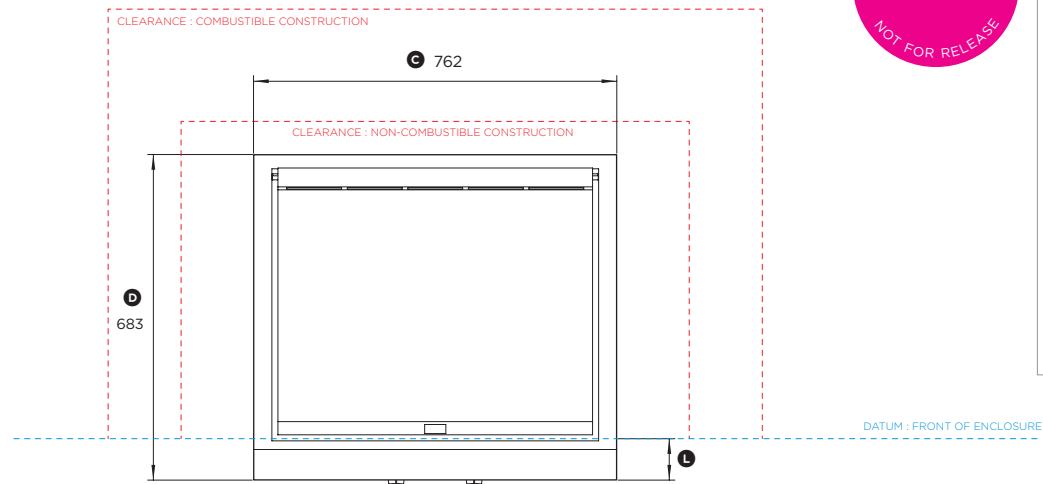
INDICATES CUTOUT -----
 INDICATES PRODUCT / CABINETRY DATUM -----
 INDICATES CLEARANCES -----

DATE: **12.12.2019**

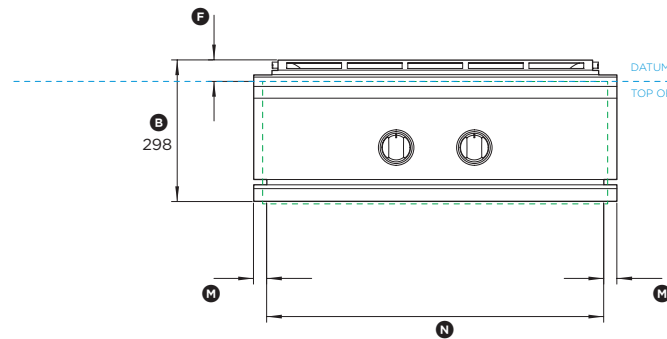
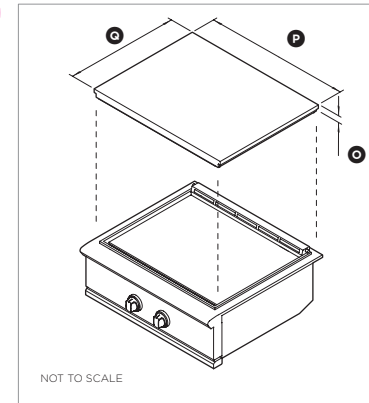
IMPORTANT NOTE: Throughout this guide, dimensions may vary by ±2mm (1/16"). Please read the installation manual for detailed information on installing the product. www.dcsappliances.com



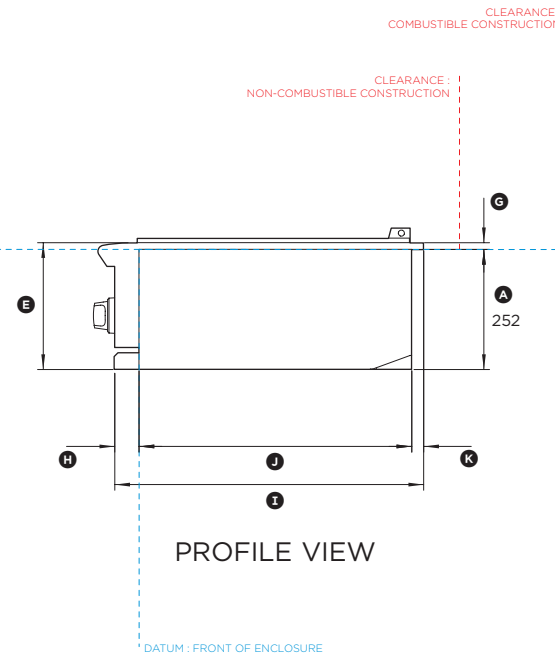
WORK IN PROGRESS
DRAFT ONLY
 NOT FOR RELEASE



PLAN VIEW



FRONT VIEW



PROFILE VIEW

Model no:

GDE1-30 (refer page 1 for imperial measurements)

Dimensions	mm
Ⓐ Height below countertop datum to bottom of chassis	252
Ⓑ Overall height of grill	298
Ⓒ Overall width of grill	762
Ⓓ Overall depth of grill (excluding knobs)	683
Ⓔ Height of chassis	266
Ⓕ Height above countertop	46
Ⓖ Height of chassis above countertop	14
Ⓗ Depth of control panel to front datum	51
Ⓘ Depth from control panel to rear of product	647
Ⓚ Depth from front datum to rear of chassis below countertop	572
Ⓛ Depth of rear flange	25
Ⓛ Depth from chassis bullnose to front datum	87
Ⓜ Width of side flanges	27.5
Ⓝ Width of chassis inside enclosure	707
Ⓞ Height of lid	43
Ⓟ Width of lid	750
Ⓠ Depth of lid	583

Minimum Clearances	mm
Overall width of cavity	724
Overall depth of cavity	578
Overall height of cavity	257
Clearance to vertical non-combustible surface above countertop at rear	76
Clearance to vertical non-combustible surface above countertop at sides	152
Clearance to vertical combustible surface above countertop at rear and sides	305

If the griddle is to be placed into a combustible enclosure, an approved insulated jacket is necessary. Use only the DCS insulated jacket which has specifically been designed and tested for this purpose.

30" insulated jacket part number: 70859

INDICATES CUTOUT -----
 INDICATES PRODUCT / CABINETRY DATUM -----
 INDICATES CLEARANCES -----

DATE: **12.12.2019**

IMPORTANT NOTE: Throughout this guide, dimensions may vary by ±2mm (1/16"). Please read the installation manual for detailed information on installing the product. www.dcsappliances.com

