

# PFWSC1247A

## TWO-HANDLE LAVATORY FAUCET



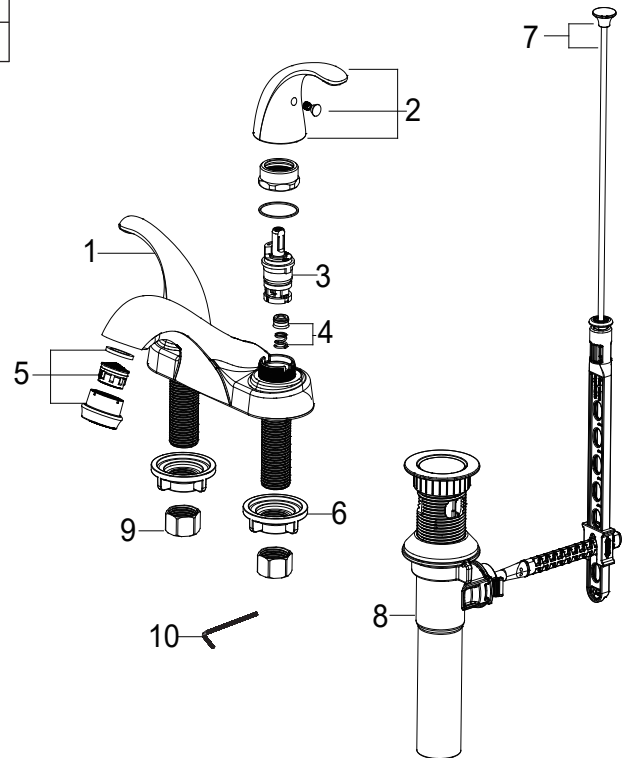
### Model Numbers

PFWSC1247ACP Chrome  
 PFWSC1247AZBN Brushed Nickel



PFWSC1247ACP

No.	Item Description	Part Number	Material type
1	Handle H	OBPF7KF13093*	Zinc Alloy
2	Handle C	OBPF7KF13094*	Zinc Alloy
3	Cartridge	OBPF2F20014	Plastic
4	Seat & Spring	OBPF222008	NBR
5	Aerator	OBPF5KF30010*	Plastic
6	Mounting Nut	OBPF156001	Plastic
7	Lift Rod & Lift Rod Knob	OBPF9F40010*	Plastic
8	Pop-Up Assembly Less Lift Rod	OBPF9F40011*	Plastic
9	Coupling Nut	OBPF156002	Brass
10	2.5mm Hex Allen Wrench	OBPF1RP70221	Steel



### Warranty and Codes

This product comes complete with installation, operating, care and maintenance instructions. This PROFLO faucet carries a limited lifetime warranty when installed in residential applications. The warranty is five years in commercial applications. Certified to ASME A112.18.1. \*Compliant with lead content requirements of California AB1953.

