

## Features

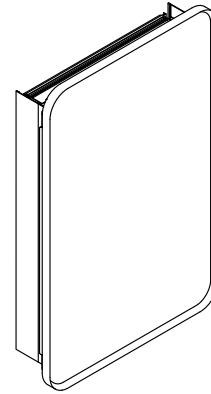
- Front mirror, inside door mirror, and back panel mirror provide superior visibility
- Three adjustable tempered-glass shelves
- Finish-matched cabinet interior
- Half-shelf adjustable accessory for additional storage included
- Hinges have 110° opening capability

## Material

- Anodized aluminum construction with a durable rustproof and chip-resistant finish

## Installation

- Surface-mount or recessed
- Can be installed with left- or right-hand swing



## Codes/Standards

ANSI Z97.1  
CPSC 16CFR 1201  
EPA TSCA Title VI/CARB P2

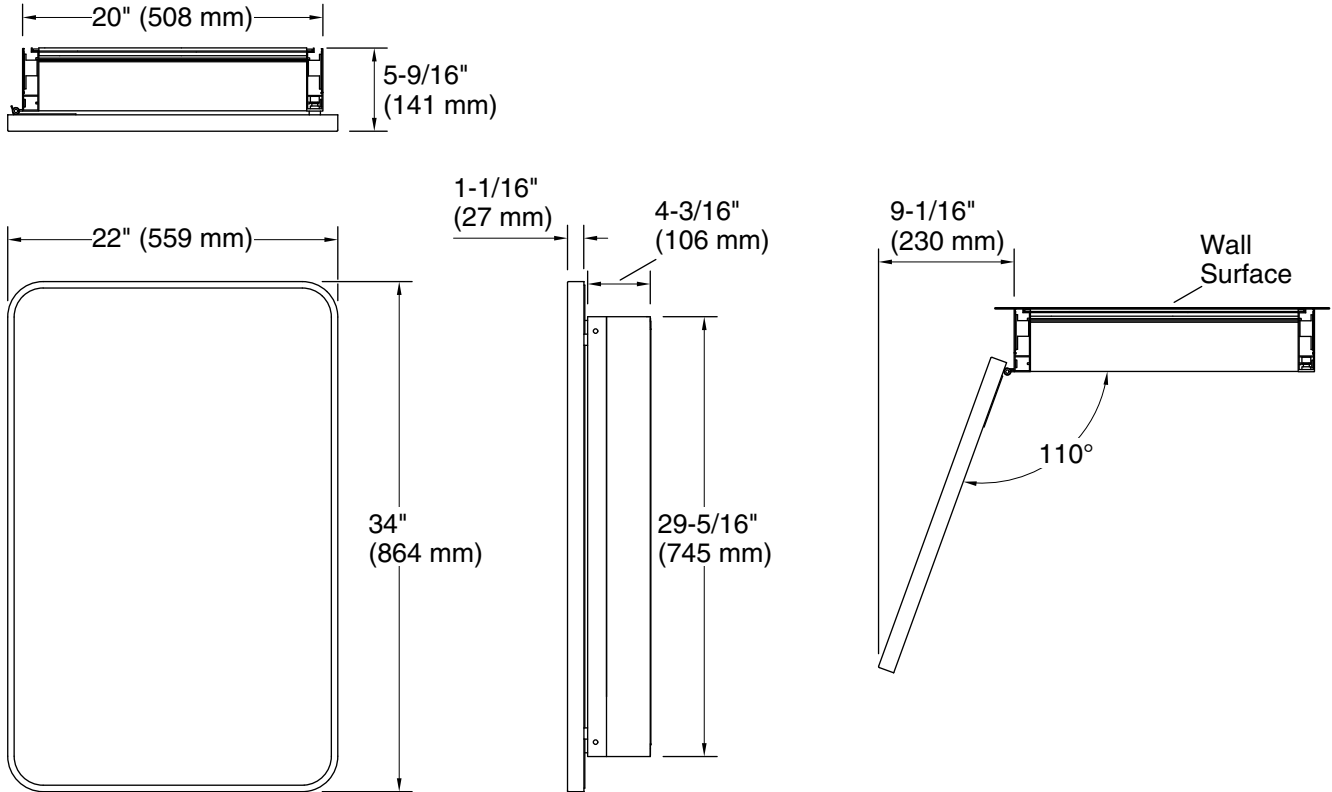
## KOHLER® One-Year Limited Warranty

See website for detailed warranty information.

## Available Colors/Finishes

*Color tiles intended for reference only.*

| Color   | Code | Description          |
|---|------|----------------------|
|  | BGL  | Moderne Brushed Gold |
|  | BNL  | Brushed Nickel       |
|  | CPL  | Polished Chrome      |
|  | BLL  | Matte Black          |



### Technical Information

All product dimensions are nominal.

### Notes

Install this product according to the installation instructions.

For surface-mount, use anchors (not provided) rated for the loaded weight of this product.