

# PFWSCM2M314

## TWO HANDLE LAVATORY FAUCET

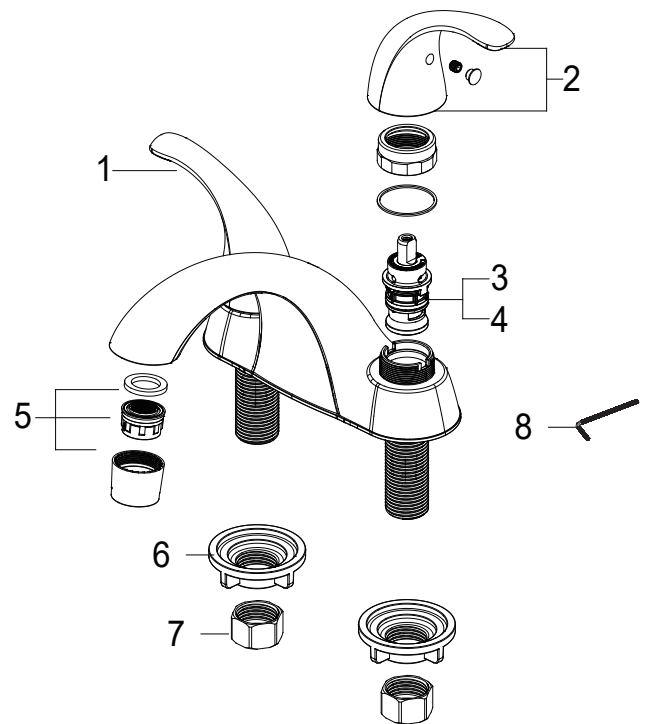


### Model Numbers

PFWSCM2M314 Chrome  
 PFWSCM2M314ZBN Brushed nickel

No.	Item	Part Number	Material type
1	Handle H	F13101*	Zinc alloy
2	Handle C	F13102*	Zinc alloy
3	Cartridge H	OBPF220067	Ceramic
4	Cartridge C	OBPF220068	Ceramic
5	Aerator	OBPF530190*	Plastic
6	Mounting nut	OBPF156001	Plastic
7	Coupling nut	OBPF156002	Brass
8	2.5mm Hex Allen Wrench	OBPF1RP70221	Steel

PFWSCM2M314



### Warranty and Codes

This product comes complete with installation, operating, care and maintenance instructions. This PROFLO faucet carries a limited lifetime warranty when installed in residential applications. The warranty is five years in commercial applications. Certified to ASME A112.18.1.

\*Compliant with lead content requirements of California AB1953



NSF/ANSI/CAN 372  
 NSF/ANSI/CAN 61-8 Qs1

