

Features

- One-piece wall-hung toilet
- Compact elongated bowl offers added comfort while occupying the same space as a round-front bowl
- 2-1/8" (54 mm) fully glazed trapway
- Fully skirted trapway simplifies cleaning
- Quiet-Close™ elongated lid and seat prevents slamming
- Coordinates with other products in the Veil collection
- Bowl and seat only; requires KOHLER® in-wall tank and carrier system, and dual-flush actuator (sold separately)



Installation

- Bowl can be mounted anywhere between 15-3/8" – 28-1/2" (391 – 724 mm) from floor to bowl rim, depending on in-wall tank used

Included Components

Additional Components:
4748-RL

ADA CSA B651 OBC

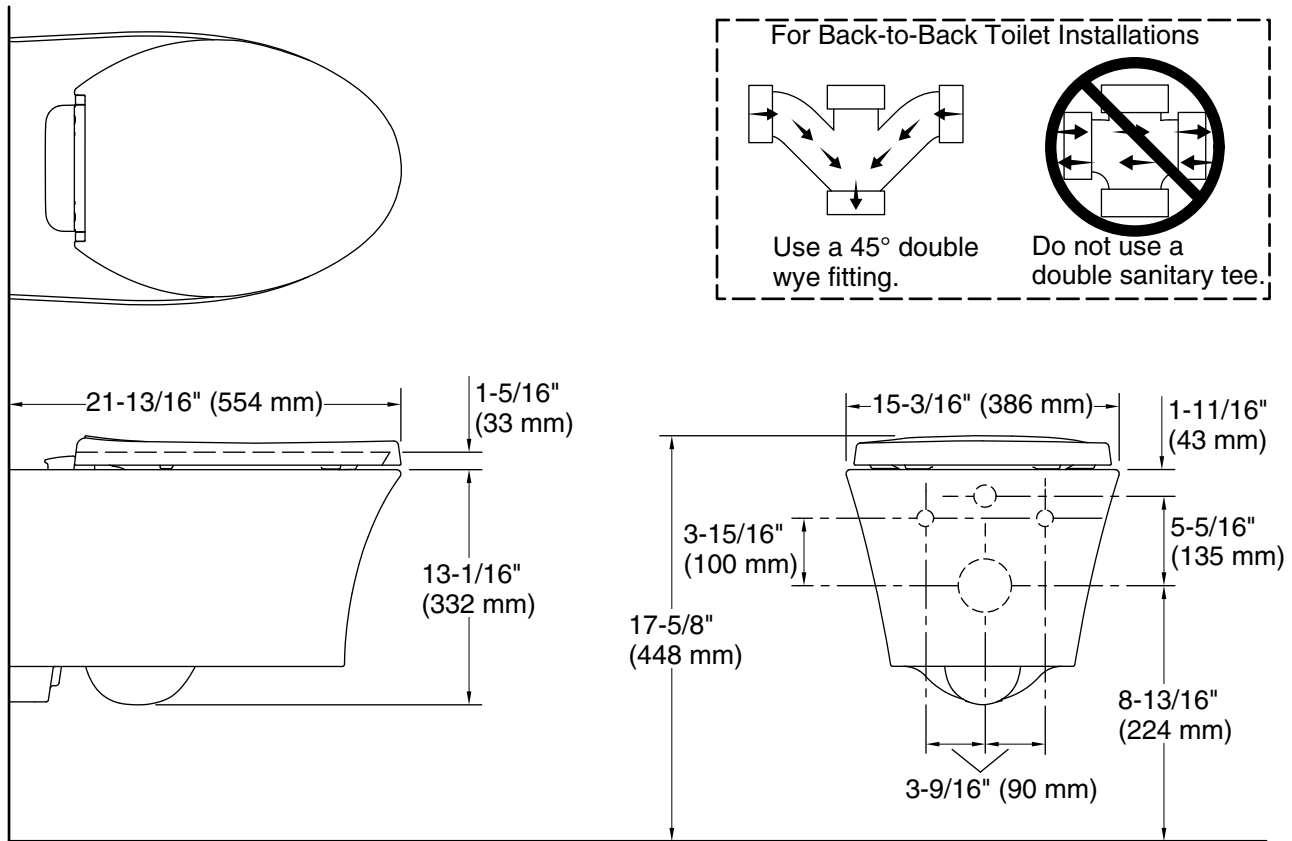


Codes/Standards

ASME A112.19.2/CSA B45.1
ASME A112.19.14
DOE - Energy Policy Act 1992
EPA WaterSense™
California Energy Commission (CEC)
ADA
ICC/ANSI A117.1
CSA B651
OBC
NOM Standards
NOM 009-CNA

KOHLER® Toilets and Seats Limited Warranty

See website for detailed warranty information.



Technical Information

All product dimensions are nominal.

Toilet type:	Wall-hung
Waste Outlet:	Wall
Bowl shape:	Elongated
Flush type:	Dual-Flush Technology
Trap passageway:	3" (76 mm)
Water surface size:	4-1/16" x 5-3/16" (103 mm x 132 mm)
Rim to water surface:	8-1/4" (210 mm)
Seat-mounting holes:	5-1/2" (140 mm)

Fixture Supply Requirements

Min static pressure:	20 psi (137.9 kPa)
Max static pressure:	80 psi (551.6 kPa)
Min flowing pressure:	15 psi (103.4 kPa)
Min flow rate:	1 gpm (3.8 lpm)

Notes

Install this product according to the installation instructions.

ADA, OBC, CSA B651 compliant when installed to the specific requirements of these regulations.

Plumbing codes may require elongated toilets and elongated, open-front seats in public bathrooms.

Accessibility standards may require controls to be located on the open side of the toilet.