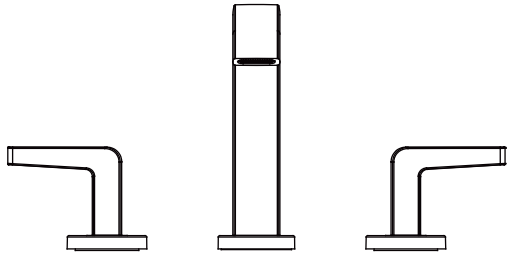


DREA WIDESPREAD BATHROOM FAUCET

Product Code: SHWSCDR807



Product Features

- Max. flow rate: 1.2 gpm (4.5 L/min) @ 60 psi
- Metal handles
- Ceramic disc cartridges
- Installation: 3-hole
- Metal construction for strength and durability
- Swivel spout: no
- Drain type: metal push-pop with overflow

Product Dimensions

- Overall height: 6-9/16"
- Spout reach: 4-15/16"
- Connection type: 1/2" IPS

Codes and Certifications



- Meets ASME A112.18.1 / CSA B125.1
- NSF/ANSI/CAN 61
- NSF/ANSI/CAN 372
- cUPC/IAPMO Listed
- ADA Compliant
- CalGreen Certified
- EPA WaterSense Certified
- Massachusetts Accepted
- Listed on California Energy Commission MAEDbS Database

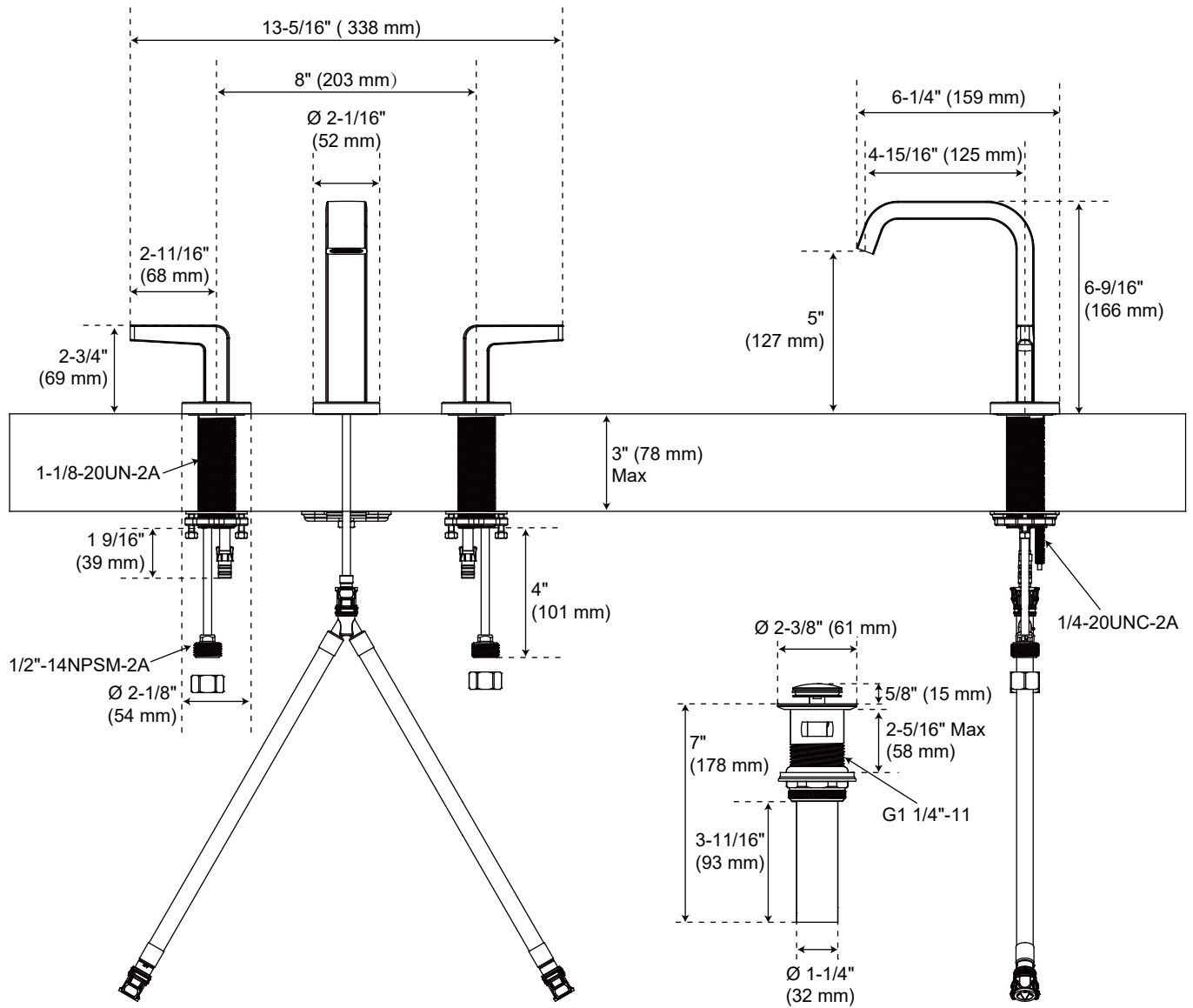
Finish Options

- BG - Brushed Gold
- CP - Chrome
- MB - Matte Black
- ZBN - Brushed Nickel

Revised: 12/16/25

DREA WIDESPREAD BATHROOM FAUCET

Product Code: SHWSCDR807



All dimensions and specifications are nominal and may vary. Use actual products for accuracy

Revised: 12/16/25