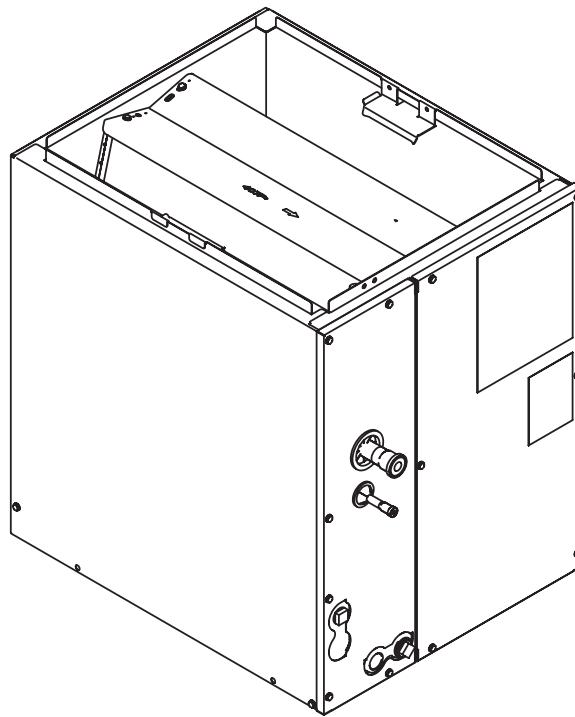




Aluminum Cased Heat Pump / Cooling Coils 1-1/2 - 5 Ton

4TXC-Series Coils

Heat Pump /Cooling Coils for R-410A



22-1960-1B-EN



Aluminum Heat Pump Coil Nomenclature

	4	T	X	C	A	0	0	2	D	S	3	H	C	A	A
Refrigerant Type 4 - R410A															
Product Family T-Premium (Heat Pump or Convertible Coil)															
Coil Design X - Direct Expansion Evaporator Coil															
Product Family C - Cased A Coil A - Uncased A Coil F - Cased Horizontal Flat Coil															
Coil Width (Cased/Uncased) A - 14.5" / 13.3" B - 17.5" / 16.3" C - 21.0" / 19.8" D - 24.5" / 23.3" H - 10.5"															
Refrigerant Line Coupling 0 - Brazed															
Model Number Distinguisher															
Major Design Change															
Efficiency C - Standard S - Hi Efficiency															
Refrigerant Control 3 - TXV - Non-Bleed															
Coil Circuitry H - Heat Pump															
Airflow Configuration A - Upflow Only U - Upflow / Downflow H - Horizontal Only C - Convertible - Upflow, Downflow, Left or Right Airflow															
Minor Design Change															
Unit Parts Identifier															



General Data

PRODUCT SPECIFICATIONS^[1] 4TXC-DS --- HIGH EFFICIENCY STAGED SPLIT SYSTEM HEAT PUMP / COOLING COMFORT™ COILS -- CASED UPFLOW / DOWNFLOW/ HORIZONTAL

	4TXCA002DS3HCB	4TXCB003DS3HCB	4TXCA032DS3HCB	4TXCB004DS3HCB	4TXCC005DS3HCB
INDOOR COIL -- Type	PLATE FIN	PLATE FIN	PLATE FIN	PLATE FIN	PLATE FIN
Cooling Capacity (Tons)	1.5 - 2.0	1.5 - 2.5	2.5 - 3.0	3.0 - 3.5	3.0 - 3.5
Rows / F.P.I.	2 / 20	3 / 14	2 / 20	3 / 12	3 / 12
Face Area (sq.ft.)	3.0	3.5	4.5	5.0	5.0
Tube Size	3/8	3/8	3/8	3/8	3/8
Refrigerant Control	Non-Bleed TXV	Non-Bleed TXV	Non-Bleed TXV	Non-Bleed TXV	Non-Bleed TXV
Internal check valve	Yes	Yes	Yes	Yes	Yes
Drain Conn. Size (in.)	3/4 NPT	3/4 NPT	3/4 NPT	3/4 NPT	3/4 NPT
Duct Connections	See Outline Drawing	See Outline Drawing	See Outline Drawing	See Outline Drawing	See Outline Drawing
REFRIGERANT CONNECTIONS	R-410A BRAZED	R-410A BRAZED	R-410A BRAZED	R-410A BRAZED	R-410A BRAZED
Line Size -- Gas (in.)	3/4	3/4	3/4	7/8	7/8
Line Size -- Liquid (in.)	3/8	3/8	3/8	3/8	3/8
DIMENSIONS (in.)	H X W X D	H X W X D	H X W X D	H X W X D	H X W X D
Crated (H x W x D)	21-9/16 x 18-1/2 x 27-1/2	21-9/16 x 21-1/2 x 27-1/2	26-9/16 x 18-1/2 x 27-1/2	26-9/16 x 21-1/2 x 27-1/2	26-9/16 x 25 x 27-1/2
Uncrated	17-1/2 x 14-1/2 x 21-1/2	17-1/2 x 17-1/2 x 21-1/2	22-1/2 x 14-1/2 x 21-1/2	22-1/2 x 17-1/2 x 21-1/2	22-1/2 x 21 x 21-1/2
WEIGHT (lbs)					
Shipping -- Net	42 / 34	50 / 42	49 / 41	58 / 50	60 / 52
	4TXCB006DS3HCB	4TXCC007DS3HCB	4TXCD008DS3HCB	4TXCC009DS3HCB	4TXCD010DS3HCB
INDOOR COIL -- Type	PLATE FIN	PLATE FIN	PLATE FIN	PLATE FIN	PLATE FIN
Cooling Capacity (Tons)	3.5 - 4.0	3.5 - 4.0	3.5 - 5.0	3.5 - 5.0	3.5 - 5.0
Rows / F.P.I.	3 / 14	3 / 14	3 / 14	3 / 16	3 / 16
Face Area (sq.ft.)	5.5	6.0	6.0	7.0	7.0
Tube Size	3/8	3/8	3/8	3/8	3/8
Refrigerant Control	Non-Bleed TXV	Non-Bleed TXV	Non-Bleed TXV	Non-Bleed TXV	Non-Bleed TXV
Internal check valve	Yes	Yes	Yes	Yes	Yes
Drain Conn. Size (in.)	3/4 NPT	3/4 NPT	3/4 NPT	3/4 NPT	3/4 NPT
Duct Connections	See Outline Drawing	See Outline Drawing	See Outline Drawing	See Outline Drawing	See Outline Drawing
REFRIGERANT CONNECTIONS	R-410A BRAZED	R-410A BRAZED	R-410A BRAZED	R-410A BRAZED	R-410A BRAZED
Line Size -- Gas (in.)	7/8	7/8	7/8	7/8	7/8
Line Size -- Liquid (in.)	3/8	3/8	3/8	3/8	3/8
DIMENSIONS (in.)	H X W X D	H X W X D	H X W X D	H X W X D	H X W X D
Crated (H x W x D)	30-13/16 x 21-1/2 x 27-1/2	30-13/16 x 25 x 27-1/2	30-5/8 x 28-1/2 x 27-1/2	34-3/4 x 25 x 27-1/2	34-3/4 x 28-1/2 x 27-1/2
Uncrated	26-3/4 x 17-1/2 x 21-1/2	26-3/4 x 21 x 21-1/2	26-3/4 x 24-1/2 x 21-1/2	30-3/4 x 21 x 21-1/2	30-3/4 x 24-1/2 x 21-1/2
WEIGHT (lbs)					
Shipping -- Net	63 / 55	69 / 61	72 / 64	78 / 70	81 / 73

[1] These indoor coils are A.H.R.I. certified with various split system air conditioners and heat pumps (A.H.R.I. Standard 210/240). Refer to the Split System Outdoor product information site or www.ahrinet.org

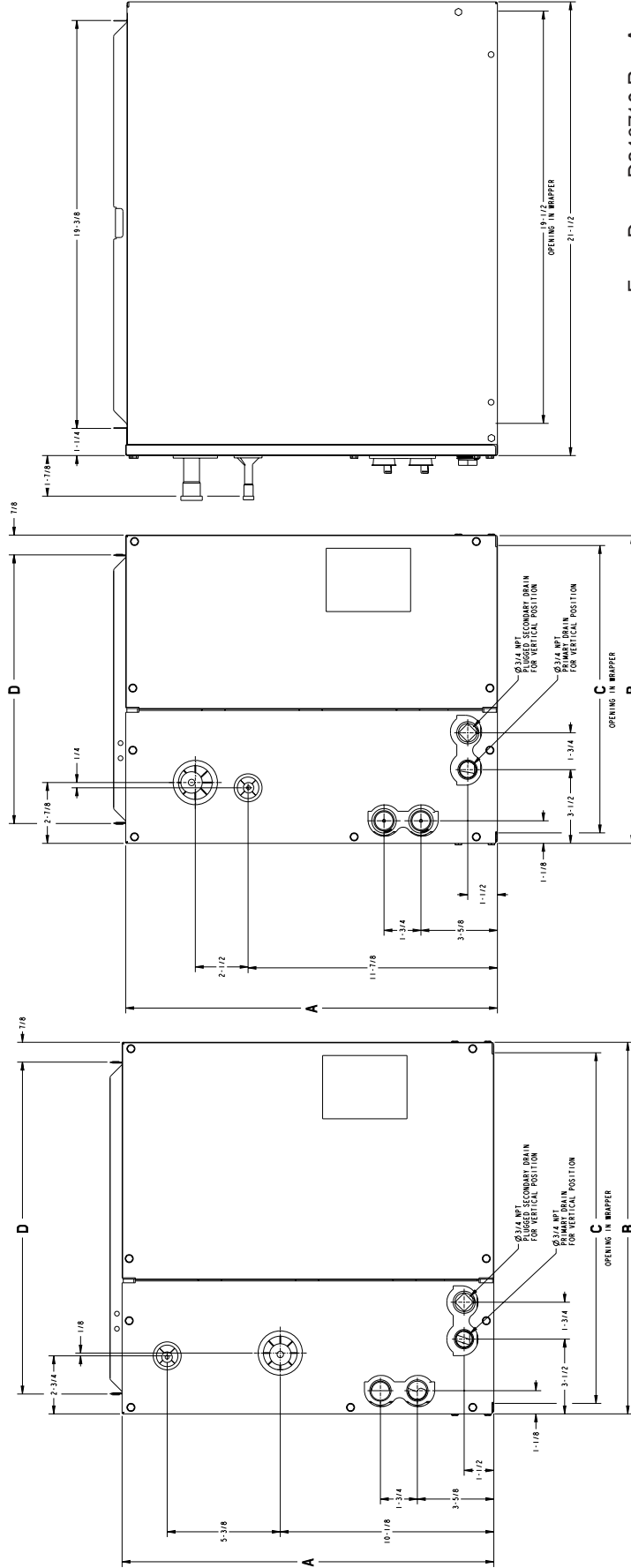


Performance Data

PRESSURE DROP CHARACTERISTICS FOR COOLING AND HEAT PUMP COILS AIRFLOW (CFM) VS. PRESSURE DROP ACROSS WET COIL								
PRESSURE DROP (INCHES OF WATER COLUMN)								
Model	0.05	0.1	0.15	0.2	0.25	0.3	0.35	0.4
4TXCA002DS3HCB	225	340	430	510	585	650	715	775
4TXCA032DS3HCB	375	570	725	860	985	1100	1200	1305
4TXCB003DS3HCB	350	525	665	790	900	1000	1095	1180
4TXCB004DS3HCB	440	655	825	970	1100	1220	1330	1435
4TXCB006DS3HCB	430	640	815	965	1095	1220	1335	1445
4TXCC005DS3HCB	520	770	970	1145	1300	1440	1570	1695
4TXCC007DS3HCB	505	760	965	1140	1300	1445	1580	1710
4TXCC009DS3HCB	490	740	940	1120	1280	1425	1565	1695
4TXCD008DS3HCB	580	870	1100	1300	1485	1650	1805	1950
4TXCD010DS3HCB	555	835	1065	1265	1445	1615	1770	1915

R-22 CONVERSION NON-BLEED TXV KITS	
Coil	R-22 TXV Kit
4TXCA002DS3HCB 4TXCA032DS3HCB 4TXCB003DS3HCB 4TXCB004DS3HCB 4TXCC005DS3HCB	2AYTXVH3H1836A
4TXCB006DS3HCB 4TXCC007DS3HCB 4TXCD008DS3HCB	2AYTXVH3H4248A
4TXCC009DS3HCB 4TXCD010DS3HCB	2AYTXVH3H6060A

Outline Drawing for models: 4TXCA002DS3HCB, 4TXCB003DS3HCB, 4TXCA032DS3HCB, 4TXCB004DS3HCB, 4TXCC005DS3HCB, 4TXCB006DS3HCB, 4TXCC007DS3HCB, 4TXCD008DS3HCB, 4TXCC009DS3HCB, 4TXCB009DS3HCB, 4TXCD010DS3HCB



From Dwg. D346710 Rev A

FIGURE A

MODEL	4TXCA002DS3	4TXCA032DS3	4TXCB003DS3	4TXCB004DS3	4TXCC005DS3	4TXCB006DS3	4TXCC007DS3	4TXCD008DS3	4TXCC009DS3	4TXCD010DS3
SEE FIGURE	FIGURE A	FIGURE A	FIGURE B	FIGURE A	FIGURE A	FIGURE A	FIGURE A	FIGURE A	FIGURE A	FIGURE A
SHIPPING WEIGHT (LBS.)	44	49	50	58	60	63	69	72	78	81
REFRIGERANT CONTROL	TXV (NON-BLEED)									
HEIGHT "A" (IN.)	17-5/8	22-1/2	17-5/8	22-1/2	22-1/2	26-7/8	26-7/8	26-7/8	30-3/4	30-3/4
OVERALL WIDTH "B" (IN.)	14-1/2	14-1/2	17-1/2	17-1/2	21	17-1/2	21	24-1/2	21	24-1/2
OPENING WIDTH "C" (IN.)	13-5/8	13-5/8	16-5/8	16-5/8	20-1/8	16-5/8	20-1/8	23-5/8	20-1/8	23-5/8
TOP OPENING "D"	12-3/4	12-3/4	15-3/4	15-3/4	19-1/4	15-3/4	19-1/4	22-3/4	19-1/4	22-3/4
GAS CONNECTION	3/4									
LIQUID CONNECTION	3/8									
MATCHED FURNACE WIDTH (NO ADAPTER REQUIRED)	14-1/2	14-1/2	17-1/2	17-1/2	21	17-1/2	21	24-1/2	21	24-1/2
DRAIN PAN	PLASTIC									



Trane - by Trane Technologies (NYSE: TT), a global climate innovator - creates comfortable, energy efficient indoor environments for commercial and residential applications. For more information, please visit trane.com or tranetechnologies.com.



Trane has a policy of continuous data improvement and it reserves the right to change design and specifications without notice. We are committed to using environmentally conscious print practices.