

S-SERIES

**UP TO 17.2 SEER2
 AND 8.6 HSPF2
 1½ TO 5 TONS**

**AMANA S - SERIES
 HIGH-EFFICIENCY,
 COMMUNICATING, VARIABLE-SPEED,
 INVERTER DRIVEN SIDE DISCHARGE
 SPLIT SYSTEM HEAT PUMP**

Contents

| | |
|----------------------------------|----|
| Nomenclature..... | 2 |
| Product Specifications..... | 3 |
| Expanded Cooling Data..... | 4 |
| Performance Data..... | 27 |
| Expanded Heating Data..... | 32 |
| Sound Data | |
| Sound Power..... | 38 |
| Sound Pressure..... | 40 |
| Quiet Mode..... | 42 |
| Sound Power & Sound Pressure ... | 42 |
| AHRI Ratings (see note)..... | 44 |
| Dimensions..... | 45 |
| Wiring Diagrams..... | 48 |
| Accessories..... | 51 |



Standard Features

- Includes Enhanced Capacity models, featuring increased performance and efficiency.
- Variable-speed swing compressors
- Quiet digitally commutated fan motor
- High-density compressor sound blanket
- Compatible with Amana Smart Thermostat and other Amana communicating equipment
- Proprietary control algorithmic logic
- In communicating mode, only two low-voltage wires to outdoor unit required
- Diagnostic indicator lights, seven-segment LED display, and fault code storage
- Proprietary Inside intelligence for diagnostics
- Quiet-mode - provides enhanced acoustical comfort, up to 3 different sound levels (as low as 45dBA)
- Field-selectable boost mode increases compressor speed during unusually high loads
- Field-installed bi-flow filter drier
- Coil and ambient temperature sensors
- Suction pressure transducer
- Sweat connection service valves with easy access to gauge ports
- AHRI Certified; ETL Listed

Cabinet Features

- Heavy-gauge galvanized steel cabinet with grille-style sound control side design
- Custom Ivory white powder-paint finish
- High corrosion (ZAM®), unpainted steel bottom frame and legs
- 500-hour salt-spray tested
- Wire fan discharge grille
- Top and side maintenance access
- When properly anchored, meets the 2020 Florida Building Code unit integrity requirements for hurricane-type winds (Anchor bracket kits available.)



* Complete warranty details available from your local dealer or at www.amana-hac.com. To receive the Lifetime Unit Replacement Limited Warranty (good for as long as you own your home) and 10-Year Parts Limited Warranty, online registration must be completed within 60 days of installation. Online registration is not required in California or Québec. The duration of warranty coverages in Texas differs in some cases.

| | ASZS6 01810A* | ASZS6 02410A* | ASZS6 03010A* | ASZS6 03610A* | ASZS6 04210A* | ASZS6 04810A* | ASZS6 06010A* |
|--|---------------------------|------------------|------------------|------------------|------------------------|------------------------|------------------------|
| CAPACITIES (AHRI RATED) | | | | | | | |
| Max. Cooling (BTU/h) | 16,600 | 22,200 | 27,800 | 33,600 | 39,500 | 45,000 | 53,000 |
| Max. Heating (BTU/h) | 17,400 | 23,200 | 28,800 | 34,600 | 40,000 | 45,500 | 54,500 |
| AMBIENT OPERATION RANGE | | | | | | | |
| COOLING (°FDB(°CDB)) | 0 to 115 (-17.8 to 46.1) | | | | | | |
| HEATING (°FDB(°CDB)) | -10 to 70 (-23.3 to 21.1) | | | | | | |
| COMPRESSOR | | | | | | | |
| Type | Swing | Swing | Swing | Swing | Swing | Swing | Swing |
| RLA | 10.0 | 13.4 | 16.8 | 16.8 | 25.5 | 25.5 | 26.9 |
| CONDENSER FAN MOTOR | | | | | | | |
| Horsepower | 0.09 | 0.09 | 0.20 | 0.20 | 0.36 | 0.36 | 0.36 |
| FLA | 1.15 | 1.15 | 2.00 | 2.00 | 1.63 | 1.63 | 1.63 |
| REFRIGERATION SYSTEM | | | | | | | |
| Refrigerant Line Size ¹ | | | | | | | |
| Liquid Line Size ("O.D.) | 3/8" | 3/8" | 3/8" | 3/8" | 3/8" | 3/8" | 3/8" |
| Suction Line Size ("O.D.) | 3/4" | 3/4" | 7/8" | 7/8" | 1 1/8" | 1 1/8" | 1 1/8" |
| Refrigerant Connection Size | | | | | | | |
| Liquid Valve Size ("O.D.) | 3/8" | 3/8" | 3/8" | 3/8" | 3/8" | 3/8" | 3/8" |
| Suction Valve Size ("O.D.) | 3/4" | 3/4" | 7/8" | 7/8" | 7/8" | 7/8" | 7/8" |
| Valve Connection Type | Front Sealing | Front Sealing | Front Sealing | Front Sealing | Front and Back Sealing | Front and Back Sealing | Front and Back Sealing |
| Refrigerant Charge (oz.) | 81 | 81 | 88 | 88 | 118 | 118 | 127 |
| Expansion Device | EEV | EEV | EEV | EEV | EEV | EEV | EEV |
| Superheat at Service Valve | Auto-control | Auto-control | Auto-control | Auto-control | Auto-control | Auto-control | Auto-control |
| Subcooling at Service Valve | 10±1°F | 12±1°F | 14±1°F | 15±1°F | 8±1°F | 9±1°F | 9±1°F |
| ELECTRICAL DATA | | | | | | | |
| Voltage / Phase (60 Hz) | 208-230/1 | 208-230/1 | 208-230/1 | 208-230/1 | 208-230/1 | 208-230/1 | 208-230/1 |
| Minimum Circuit Ampacity ² | 14.6 | 18.8 | 23.9 | 23.9 | 34.4 | 34.4 | 36.2 |
| Max. Overcurrent Protection ³ | 15 | 20 | 25 | 25 | 35 | 35 | 40 |
| Min / Max Volts | 197/253 | 197/253 | 197/253 | 197/253 | 197/253 | 197/253 | 197/253 |
| Electrical Conduit Size | 1/2" | 1/2" | 1/2" | 1/2" | 1/2" or 3/4" | 1/2" or 3/4" | 1/2" or 3/4" |
| EQUIPMENT WEIGHT (LBS) | | | | | | | |
| | 122 | 122 | 132 | 137 | 168 | 168 | 179 |
| SHIP WEIGHT (LBS) | | | | | | | |
| | 137 | 137 | 147 | 151 | 185 | 185 | 198 |

¹ Tested and rated in accordance with ANSI/AHRI Standard 210/240

² Wire size should be determined in accordance with National Electrical Codes; extensive wire runs will require larger wire sizes

³ Must use time-delay fuses or HACR-type circuit breakers of the same size as noted.

NOTES

- Always check the S&R plate for electrical data on the unit being installed.
- Installer will need to supply 7/8" to 1 1/8" adapters for suction line connections.
- Unit is charged with refrigerant for 15' of 3/8" liquid line. System charge must be adjusted per Installation Instructions Final Charge Procedure. (See table below for allowable line set diameter)

| UNIT TONS | ALLOWABLE LINE SET DIAMETER | | | | | | |
|-----------|-----------------------------|-------|------|---------|------|------|--------|
| | LIQUID | | | SUCTION | | | |
| | 1/4" | 5/16" | 3/8" | 7/8" | 3/4" | 7/8" | 1 1/8" |
| 1.5 | x | x | x | x* | x | | |
| 2.0 | | x | x | x* | x | | |
| 2.5 | | x | x | x* | x | | |
| 3.0 | | x | x | | x* | x | |
| 3.5 | | | x | | | x | x |
| 4.0 | | | x | | | x | x |
| 5.0 | | | x | | | x | x |





| OUTDOOR UNIT | ASZS6*361*A* | |
|--------------|---|--|
| INDOOR UNIT | A*VC960403B/0603B A*VM970603B A*VC800603B/0803B MBVC1200 A*VS960805CU | TRIM MORE THAN 10% SETTINGS ARE INVALID. TRIMMED UP CFM MAKES MISS MATCHING ERROR. |

| OUTDOOR UNIT | ASZS6*601*A* | |
|--------------|---|---|
| INDOOR UNIT | A*VC960804C A*VM970804C A*VC800804C | TRIM MORE THAN 5% SETTINGS ARE INVALID. TRIMMED UP CFM MAKES MISS MATCHING ERROR. |

x Allowable combination

* For marked combinations, if normal ambient operation temperature is less than 14°F, limit line set length to 50 ft. max.

PRODUCT SPECIFICATIONS

| | ASZS6 0241EA* | ASZS6 0361EA* | ASZS6 0421EA* | ASZS6 0481EA* |
|--|---|---|---|---|
| CAPACITIES (AHRI RATED) | | | | |
| Max. Cooling (BTU/h) | 23,000 | 34,200 | 40,000 | 44,000 |
| Max. Heating (BTU/h) | 23,000 | 34,200 | 40,000 | 44,000 |
| AMBIENT OPERATION RANGE | | | | |
| COOLING (°FDB(°CDB)) | 0 to 115 (-17.8 to 46.1) | | | |
| HEATING (°FDB(°CDB)) | -10 to 70 (-23.3 to 21.1) | | | |
| COMPRESSOR | | | | |
| Type | Swing | Swing | Swing | Swing |
| RLA | 16.8 | 25.5 | 26.9 | 26.9 |
| CONDENSER FAN MOTOR | | | | |
| Horsepower | 0.20 | 0.36 | 0.36 | 0.36 |
| FLA | 2.00 | 1.63 | 1.63 | 1.63 |
| REFRIGERATION SYSTEM | | | | |
| Refrigerant Line Size ¹ | | | | |
| Liquid Line Size ("O.D.) | 3/8" | 3/8" | 3/8" | 3/8" |
| Suction Line Size ("O.D.) | 7/8" | 1 1/8" | 1 1/8" | 1 1/8" |
| Refrigerant Connection Size | | | | |
| Liquid Valve Size ("O.D.) | 3/8" | 3/8" | 3/8" | 3/8" |
| Suction Valve Size ("O.D.) | 7/8" | 7/8" | 7/8" | 7/8" |
| Valve Connection Type | Front Sealing | Front and Back Sealing | Front and Back Sealing | Front and Back Sealing |
| Refrigerant Charge (oz.) | 88 | 118 | 127 | 127 |
| Expansion Device | EEV | EEV | EEV | EEV |
| Superheat at Service Valve | Auto-control | Auto-control | Auto-control | Auto-control |
| Subcooling at Service Valve | 14±1°F | 8±1°F | 9±1°F | 9±1°F |
| ELECTRICAL DATA | | | | |
| Voltage / Phase (60 Hz) | 208-230/1 | 208-230/1 | 208-230/1 | 208-230/1 |
| Minimum Circuit Ampacity ² | 23.9 | 34.4 | 36.2 | 36.2 |
| Max. Overcurrent Protection ³ | 25 | 35 | 40 | 40 |
| Min / Max Volts | 197/253 | 197/253 | 197/253 | 197/253 |
| Electrical Conduit Size | 1/2" | 1/2" or 3/4" | 1/2" or 3/4" | 1/2" or 3/4" |
| EQUIPMENT WEIGHT (LBS) | 132 | 168 | 179 | 179 |
| SHIP WEIGHT (LBS) | 147 | 185 | 198 | 198 |
| ENHANCED CAPACITY COLD CLIMATE |  |  |  |  |

¹ Tested and rated in accordance with ANSI/AHRI Standard 210/240

² Wire size should be determined in accordance with National Electrical Codes; extensive wire runs will require larger wire sizes

³ Must use time-delay fuses or HACR-type circuit breakers of the same size as noted.

NOTES

- Always check the S&R plate for electrical data on the unit being installed.
- Installer will need to supply 7/8" to 1 1/8" adapters for suction line connections.
- Unit is charged with refrigerant for 15' of 3/8" liquid line. System charge must be adjusted per Installation Instructions Final Charge Procedure. (See table below for allowable line set diameter)

| UNIT TONS | ALLOWABLE LINE SET DIAMETER | | | | | | |
|-----------|-----------------------------|-------|------|---------|----------------|------|--------|
| | LIQUID | | | SUCTION | | | |
| | 1/4" | 5/16" | 3/8" | 3/8" | 3/4" | 7/8" | 1 1/8" |
| 2.0 | | X | X | | X ¹ | X | |
| 3.0 | | | X | | | X | X |
| 3.5 | | | X | | | X | X |
| 4.0 | | | X | | | X | X |

x Allowable combination

¹ For marked combinations, if normal ambient operation temperature is less than 14°F, limit line set length to 50 ft. max.

EXPANDED COOLING DATA — ASZS601810A* / AHVE24BP1400A*

| IDB | AIRFLOW | OUTDOOR AMBIENT TEMPERATURE | | | | | | | | | | | | 105°F | | | | | | | | | | | | 115°F | | | | | | | | | | | |
|-------|---------|-----------------------------|------|------|-----|------|------|------|-----|------|------|------|-----|-------|------|------|-----|-------|------|------|-----|-------|------|------|----|-------|--|--|--|--|--|--|--|--|--|--|--|
| | | 65°F | | | | 75°F | | | | 85°F | | | | 95°F | | | | 105°F | | | | 115°F | | | | | | | | | | | | | | | |
| | | 59 | 63 | 67 | 71 | 59 | 63 | 67 | 71 | 59 | 63 | 67 | 71 | 59 | 63 | 67 | 71 | 59 | 63 | 67 | 71 | 59 | 63 | 67 | 71 | | | | | | | | | | | | |
| 70 | MBh | 15.9 | 16.6 | 17.6 | - | 16.7 | 16.9 | 17.4 | - | 16.3 | 16.5 | 17.0 | - | 15.5 | 15.7 | 16.2 | - | 14.6 | 14.8 | 15.3 | - | 13.7 | 14.0 | 14.5 | - | | | | | | | | | | | | |
| | S/T | 0.62 | 0.54 | 0.40 | - | 0.62 | 0.54 | 0.40 | - | 0.65 | 0.57 | 0.43 | - | 1.00 | 0.59 | 0.45 | - | 1.00 | 0.61 | 0.47 | - | 1.00 | 0.67 | 0.52 | - | | | | | | | | | | | | |
| | ΔT | 21 | 19 | 13 | - | 18 | 16 | 13 | - | 18 | 16 | 13 | - | 18 | 16 | 13 | - | 18 | 16 | 13 | - | 19 | 17 | 14 | - | | | | | | | | | | | | |
| | kW | 1.04 | 1.07 | 1.07 | - | 1.20 | 1.20 | 1.20 | - | 1.36 | 1.35 | 1.35 | - | 1.52 | 1.52 | 1.51 | - | 1.70 | 1.70 | 1.70 | - | 1.91 | 1.91 | 1.91 | - | | | | | | | | | | | | |
| | Amps | 3.6 | 3.8 | 3.9 | - | 4.5 | 4.5 | 4.4 | - | 5.1 | 5.1 | 5.1 | - | 5.8 | 5.8 | 5.8 | - | 6.6 | 6.6 | 6.6 | - | 7.5 | 7.5 | 7.5 | - | | | | | | | | | | | | |
| | Hi/PR | 243 | 245 | 245 | - | 280 | 281 | 283 | - | 320 | 321 | 323 | - | 363 | 364 | 366 | - | 410 | 411 | 412 | - | 459 | 460 | 462 | - | | | | | | | | | | | | |
| Lo/PR | 125 | 126 | 131 | - | 133 | 135 | 138 | - | 140 | 142 | 145 | - | 146 | 147 | 151 | - | 151 | 153 | 156 | - | 158 | 160 | 163 | - | | | | | | | | | | | | | |
| 70 | MBh | 16.6 | 17.3 | 17.9 | - | 17.0 | 17.2 | 17.7 | - | 16.5 | 16.8 | 17.3 | - | 15.8 | 16.0 | 16.5 | - | 14.8 | 15.1 | 15.6 | - | 14.0 | 14.2 | 14.7 | - | | | | | | | | | | | | |
| | S/T | 0.69 | 0.61 | 0.47 | - | 0.70 | 0.62 | 0.48 | - | 0.73 | 0.65 | 0.51 | - | 1.00 | 0.67 | 0.53 | - | 1.00 | 0.69 | 0.55 | - | 1.00 | 0.74 | 0.60 | - | | | | | | | | | | | | |
| | ΔT | 19 | 15 | 12 | - | 17 | 15 | 12 | - | 17 | 15 | 12 | - | 17 | 15 | 12 | - | 16 | 15 | 12 | - | 17 | 16 | 13 | - | | | | | | | | | | | | |
| | kW | 1.08 | 1.08 | 1.07 | - | 1.21 | 1.21 | 1.21 | - | 1.36 | 1.36 | 1.36 | - | 1.53 | 1.53 | 1.52 | - | 1.71 | 1.71 | 1.70 | - | 1.92 | 1.92 | 1.92 | - | | | | | | | | | | | | |
| | Amps | 3.8 | 3.9 | 3.9 | - | 4.5 | 4.5 | 4.5 | - | 5.2 | 5.1 | 5.1 | - | 5.9 | 5.9 | 5.8 | - | 6.6 | 6.6 | 6.6 | - | 7.6 | 7.6 | 7.6 | - | | | | | | | | | | | | |
| | Hi/PR | 246 | 245 | 247 | - | 282 | 283 | 285 | - | 322 | 324 | 325 | - | 366 | 367 | 368 | - | 412 | 413 | 415 | - | 462 | 463 | 464 | - | | | | | | | | | | | | |
| Lo/PR | 127 | 130 | 133 | - | 136 | 137 | 140 | - | 142 | 144 | 147 | - | 148 | 150 | 153 | - | 154 | 155 | 158 | - | 161 | 162 | 165 | - | | | | | | | | | | | | | |
| 700 | MBh | 17.4 | 17.7 | 18.2 | - | 17.3 | 17.5 | 18.0 | - | 16.8 | 17.1 | 17.6 | - | 16.1 | 16.3 | 16.8 | - | 15.2 | 15.4 | 15.9 | - | 14.3 | 14.5 | 15.0 | - | | | | | | | | | | | | |
| | S/T | 0.73 | 0.65 | 0.51 | - | 0.74 | 0.66 | 0.52 | - | 1.00 | 0.69 | 0.54 | - | 1.00 | 0.71 | 0.56 | - | 1.00 | 0.73 | 0.59 | - | 1.00 | 1.00 | 0.64 | - | | | | | | | | | | | | |
| | ΔT | 16 | 14 | 11 | - | 16 | 14 | 11 | - | 16 | 14 | 11 | - | 16 | 14 | 11 | - | 15 | 14 | 11 | - | 16 | 15 | 12 | - | | | | | | | | | | | | |
| | kW | 1.09 | 1.08 | 1.08 | - | 1.22 | 1.22 | 1.22 | - | 1.37 | 1.37 | 1.37 | - | 1.53 | 1.53 | 1.53 | - | 1.72 | 1.71 | 1.71 | - | 1.93 | 1.93 | 1.93 | - | | | | | | | | | | | | |
| | Amps | 3.9 | 3.9 | 3.9 | - | 4.5 | 4.5 | 4.5 | - | 5.2 | 5.2 | 5.2 | - | 5.9 | 5.9 | 5.9 | - | 6.7 | 6.7 | 6.7 | - | 7.6 | 7.6 | 7.6 | - | | | | | | | | | | | | |
| | Hi/PR | 247 | 248 | 249 | - | 285 | 286 | 288 | - | 325 | 326 | 328 | - | 368 | 369 | 371 | - | 414 | 415 | 417 | - | 464 | 465 | 467 | - | | | | | | | | | | | | |
| Lo/PR | 130 | 132 | 135 | - | 138 | 140 | 143 | - | 145 | 146 | 150 | - | 151 | 152 | 155 | - | 156 | 158 | 161 | - | 163 | 165 | 168 | - | | | | | | | | | | | | | |

| | | | | | | | | | | | | | | | | | | | | | | | | | |
|-------|-------|------|------|------|------|------|------|------|------|------|------|------|------|------------|-------------|------|------|------|------|------|------|------|------|------|------|
| 75 | MBh | 15.9 | 16.6 | 17.6 | 18.4 | 16.7 | 16.9 | 17.5 | 18.2 | 16.3 | 16.5 | 17.0 | 17.8 | 15.5 | 15.8 | 16.3 | 17.0 | 14.6 | 14.8 | 15.3 | 16.1 | 13.7 | 14.0 | 14.5 | 15.3 |
| | S/T | 0.75 | 0.67 | 0.53 | 0.38 | 1.00 | 0.68 | 0.54 | 0.39 | 1.00 | 0.70 | 0.56 | 0.41 | 1.00 | 0.72 | 0.58 | 0.43 | 1.00 | 0.75 | 0.61 | 0.46 | 1.00 | 1.00 | 0.66 | 0.51 |
| | ΔT | 25 | 23 | 17 | 14 | 21 | 20 | 17 | 14 | 22 | 20 | 17 | 14 | 21 | 20 | 17 | 14 | 21 | 20 | 17 | 13 | 22 | 21 | 18 | 14 |
| | kW | 1.04 | 1.07 | 1.07 | 1.08 | 1.20 | 1.20 | 1.20 | 1.21 | 1.35 | 1.35 | 1.35 | 1.36 | 1.52 | 1.52 | 1.51 | 1.52 | 1.70 | 1.70 | 1.70 | 1.71 | 1.91 | 1.91 | 1.91 | 1.92 |
| | Amps | 3.6 | 3.8 | 3.9 | 3.9 | 4.5 | 4.5 | 4.4 | 4.5 | 5.1 | 5.1 | 5.1 | 5.1 | 5.8 | 5.8 | 5.8 | 5.8 | 6.6 | 6.6 | 6.6 | 6.6 | 7.5 | 7.5 | 7.5 | 7.6 |
| | Hi/PR | 243 | 245 | 245 | 249 | 280 | 281 | 283 | 287 | 320 | 321 | 323 | 327 | 363 | 364 | 366 | 370 | 410 | 411 | 413 | 417 | 459 | 460 | 462 | 466 |
| Lo/PR | 125 | 126 | 131 | 136 | 134 | 135 | 138 | 144 | 140 | 142 | 145 | 150 | 146 | 147 | 151 | 156 | 151 | 153 | 156 | 162 | 158 | 160 | 163 | 169 | |
| 75 | MBh | 16.6 | 17.4 | 17.9 | 18.6 | 17.0 | 17.2 | 17.7 | 18.5 | 16.5 | 16.8 | 17.3 | 18.0 | 15.8 | 16.0 | 16.5 | 17.3 | 14.8 | 15.1 | 15.6 | 16.4 | 14.0 | 14.2 | 14.7 | 15.5 |
| | S/T | 0.83 | 0.75 | 0.61 | 0.46 | 1.00 | 0.75 | 0.61 | 0.46 | 1.00 | 0.78 | 0.64 | 0.49 | 1.00 | 0.80 | 0.66 | 0.51 | 1.00 | 1.00 | 0.68 | 0.53 | 1.00 | 1.00 | 0.74 | 0.59 |
| | ΔT | 23 | 19 | 16 | 12 | 20 | 19 | 16 | 12 | 20 | 19 | 16 | 13 | 20 | 19 | 16 | 12 | 20 | 18 | 15 | 12 | 21 | 19 | 16 | 13 |
| | kW | 1.08 | 1.08 | 1.07 | 1.08 | 1.21 | 1.21 | 1.21 | 1.22 | 1.36 | 1.36 | 1.36 | 1.37 | 1.53 | 1.52 | 1.52 | 1.53 | 1.71 | 1.71 | 1.70 | 1.71 | 1.92 | 1.92 | 1.92 | 1.93 |
| | Amps | 3.8 | 3.9 | 3.9 | 3.9 | 4.5 | 4.5 | 4.5 | 4.5 | 5.1 | 5.1 | 5.1 | 5.2 | 5.9 | 5.8 | 5.8 | 5.9 | 6.6 | 6.6 | 6.6 | 6.7 | 7.6 | 7.6 | 7.6 | 7.6 |
| | Hi/PR | 246 | 245 | 247 | 251 | 283 | 284 | 285 | 290 | 323 | 324 | 325 | 330 | 366 | 367 | 369 | 373 | 412 | 413 | 415 | 419 | 462 | 463 | 465 | 469 |
| Lo/PR | 127 | 130 | 133 | 138 | 136 | 137 | 140 | 146 | 142 | 144 | 147 | 153 | 148 | 150 | 153 | 158 | 154 | 155 | 158 | 164 | 161 | 162 | 165 | 171 | |
| 700 | MBh | 17.4 | 17.7 | 18.2 | 19.0 | 17.3 | 17.5 | 18.0 | 18.8 | 16.8 | 17.1 | 17.6 | 18.4 | 16.1 | 16.3 | 16.8 | 17.6 | 15.2 | 15.4 | 15.9 | 16.7 | 14.3 | 14.6 | 15.1 | 15.8 |
| | S/T | 0.87 | 0.79 | 0.65 | 0.50 | 1.00 | 0.79 | 0.65 | 0.50 | 1.00 | 0.82 | 0.68 | 0.53 | 1.00 | 0.84 | 0.70 | 0.55 | 1.00 | 1.00 | 0.72 | 0.57 | 1.00 | 1.00 | 0.78 | 0.63 |
| | ΔT | 19 | 18 | 15 | 11 | 19 | 18 | 15 | 11 | 19 | 18 | 15 | 12 | 19 | 18 | 15 | 11 | 19 | 17 | 14 | 11 | 20 | 18 | 15 | 12 |
| | kW | 1.08 | 1.08 | 1.08 | 1.09 | 1.22 | 1.22 | 1.22 | 1.23 | 1.37 | 1.37 | 1.37 | 1.38 | 1.53 | 1.53 | 1.53 | 1.54 | 1.71 | 1.71 | 1.71 | 1.72 | 1.93 | 1.93 | 1.93 | 1.93 |
| | Amps | 3.9 | 3.9 | 3.9 | 4.0 | 4.5 | 4.5 | 4.5 | 4.6 | 5.2 | 5.2 | 5.2 | 5.2 | 5.9 | 5.9 | 5.9 | 5.9 | 6.7 | 6.7 | 6.7 | 6.7 | 7.6 | 7.6 | 7.6 | 7.6 |
| | Hi/PR | 247 | 248 | 250 | 254 | 285 | 286 | 288 | 292 | 325 | 326 | 328 | 332 | 368 | 369 | 371 | 375 | 415 | 416 | 417 | 422 | 464 | 465 | 467 | 471 |
| Lo/PR | 130 | 132 | 135 | 141 | 138 | 140 | 143 | 148 | 145 | 146 | 150 | 155 | 151 | 152 | 155 | 161 | 156 | 158 | 161 | 166 | 163 | 165 | 168 | 173 | |

IDB = Entering Indoor Dry Bulb Temperature

High and low pressures are measured at the liquid and suction service valves.

Shaded area is ACCA (TVA) conditions.

kW = Total system power

Amps = outdoor unit amps (comp.+fan)

EXPANDED COOLING DATA — ASZS601810A* / AHVE24BP1400A* (CONT.)

| IDB | AIRFLOW | OUTDOOR AMBIENT TEMPERATURE | | | | | | | | | | | | | | | | | | | | | | | |
|-------|---------|-----------------------------|------|------|------|------|------|------|------|------|------|------|------|-------|------|------|------|-------|------|------|------|------|------|------|------|
| | | 65°F | | | | 75°F | | | | 85°F | | | | 105°F | | | | 115°F | | | | | | | |
| | | 59 | 63 | 67 | 71 | 59 | 63 | 67 | 71 | 59 | 63 | 67 | 71 | 59 | 63 | 67 | 71 | 59 | 63 | 67 | 71 | | | | |
| 80 | MBh | 16.0 | 16.7 | 17.7 | 18.5 | 16.8 | 17.0 | 17.5 | 18.3 | 16.4 | 16.6 | 17.1 | 17.9 | 15.6 | 15.8 | 16.3 | 17.1 | 14.7 | 14.9 | 15.4 | 16.2 | 13.8 | 14.1 | 14.6 | 15.3 |
| | S/T | 1.00 | 0.80 | 0.66 | 0.51 | 1.00 | 0.81 | 0.67 | 0.52 | 1.00 | 0.83 | 0.69 | 0.54 | 1.00 | 1.00 | 0.71 | 0.56 | 1.00 | 1.00 | 0.74 | 0.59 | 1.00 | 1.00 | 0.79 | 0.64 |
| | ΔT | 29 | 27 | 20 | 17 | 25 | 23 | 20 | 17 | 25 | 24 | 21 | 17 | 25 | 23 | 20 | 17 | 25 | 23 | 20 | 17 | 26 | 24 | 21 | 18 |
| | kW | 1.04 | 1.07 | 1.07 | 1.08 | 1.20 | 1.20 | 1.20 | 1.21 | 1.36 | 1.35 | 1.35 | 1.36 | 1.52 | 1.52 | 1.51 | 1.52 | 1.70 | 1.70 | 1.70 | 1.71 | 1.91 | 1.91 | 1.91 | 1.92 |
| | Amps | 3.6 | 3.8 | 3.9 | 3.9 | 4.5 | 4.5 | 4.4 | 4.5 | 5.1 | 5.1 | 5.1 | 5.1 | 5.8 | 5.8 | 5.8 | 5.9 | 6.6 | 6.6 | 6.6 | 6.6 | 7.5 | 7.5 | 7.5 | 7.6 |
| | Hi PR | 243 | 245 | 245 | 249 | 281 | 282 | 283 | 288 | 321 | 322 | 323 | 328 | 364 | 365 | 367 | 371 | 410 | 411 | 411 | 413 | 460 | 461 | 463 | 467 |
| | Lo PR | 125 | 127 | 131 | 137 | 134 | 136 | 139 | 144 | 141 | 142 | 146 | 151 | 146 | 148 | 151 | 157 | 152 | 154 | 157 | 162 | 159 | 161 | 164 | 169 |
| | MBh | 16.7 | 17.4 | 18.0 | 18.7 | 17.1 | 17.3 | 17.8 | 18.6 | 16.6 | 16.9 | 17.4 | 18.1 | 15.9 | 16.1 | 16.6 | 17.4 | 14.9 | 15.2 | 15.7 | 16.4 | 14.1 | 14.3 | 14.8 | 15.6 |
| | S/T | 1.00 | 0.88 | 0.74 | 0.59 | 1.00 | 0.89 | 0.74 | 0.60 | 1.00 | 0.91 | 0.77 | 0.62 | 1.00 | 1.00 | 0.79 | 0.64 | 1.00 | 1.00 | 0.81 | 0.66 | 1.00 | 1.00 | 0.87 | 0.72 |
| | ΔT | 28 | 22 | 19 | 16 | 24 | 22 | 19 | 16 | 24 | 22 | 19 | 16 | 24 | 22 | 19 | 16 | 24 | 22 | 19 | 16 | 25 | 23 | 20 | 17 |
| kW | 1.08 | 1.08 | 1.07 | 1.09 | 1.21 | 1.21 | 1.21 | 1.22 | 1.36 | 1.36 | 1.36 | 1.37 | 1.53 | 1.53 | 1.53 | 1.54 | 1.71 | 1.71 | 1.70 | 1.71 | 1.92 | 1.92 | 1.92 | 1.93 | |
| Amps | 3.8 | 3.9 | 3.9 | 3.9 | 4.5 | 4.5 | 4.5 | 4.5 | 5.1 | 5.1 | 5.1 | 5.2 | 5.9 | 5.9 | 5.9 | 5.8 | 6.6 | 6.6 | 6.6 | 6.7 | 7.6 | 7.6 | 7.6 | 7.6 | |
| Hi PR | 247 | 246 | 248 | 252 | 283 | 284 | 286 | 290 | 323 | 324 | 326 | 330 | 366 | 367 | 369 | 373 | 413 | 414 | 415 | 420 | 462 | 463 | 465 | 469 | |
| Lo PR | 127 | 130 | 133 | 139 | 136 | 138 | 141 | 146 | 143 | 145 | 148 | 153 | 149 | 150 | 153 | 159 | 154 | 156 | 159 | 164 | 161 | 163 | 166 | 171 | |
| MBh | 17.5 | 17.8 | 18.3 | 19.0 | 17.4 | 17.6 | 18.1 | 18.9 | 16.9 | 17.2 | 17.7 | 18.4 | 16.2 | 16.4 | 16.9 | 17.7 | 15.2 | 15.5 | 16.0 | 16.8 | 14.4 | 14.6 | 15.1 | 15.9 | |
| S/T | 1.00 | 0.92 | 0.78 | 0.63 | 1.00 | 0.92 | 0.78 | 0.63 | 1.00 | 1.00 | 0.81 | 0.66 | 1.00 | 1.00 | 0.83 | 0.68 | 1.00 | 1.00 | 0.85 | 0.70 | 1.00 | 1.00 | 1.00 | 0.76 | |
| ΔT | 23 | 21 | 18 | 15 | 23 | 21 | 18 | 15 | 23 | 21 | 18 | 15 | 23 | 21 | 18 | 15 | 23 | 21 | 18 | 15 | 24 | 22 | 19 | 16 | |
| kW | 1.09 | 1.08 | 1.08 | 1.09 | 1.22 | 1.22 | 1.22 | 1.23 | 1.37 | 1.37 | 1.37 | 1.38 | 1.53 | 1.53 | 1.53 | 1.54 | 1.72 | 1.71 | 1.71 | 1.72 | 1.93 | 1.93 | 1.93 | 1.94 | |
| Amps | 3.9 | 3.9 | 3.9 | 4.0 | 4.5 | 4.5 | 4.5 | 4.6 | 5.2 | 5.2 | 5.2 | 5.2 | 5.9 | 5.9 | 5.9 | 5.9 | 6.7 | 6.7 | 6.7 | 6.7 | 7.6 | 7.6 | 7.6 | 7.6 | |
| Hi PR | 247 | 248 | 250 | 254 | 285 | 287 | 288 | 292 | 325 | 327 | 328 | 332 | 369 | 370 | 371 | 376 | 415 | 416 | 418 | 422 | 465 | 466 | 467 | 472 | |
| Lo PR | 131 | 133 | 136 | 141 | 139 | 140 | 143 | 149 | 145 | 147 | 150 | 156 | 151 | 153 | 156 | 161 | 157 | 158 | 161 | 167 | 164 | 165 | 168 | 174 | |

| | | | | | | | | | | | | | | | | | | | | | | | | | |
|-------|-------|------|------|------|------|------|------|------|------|------|------|------|------|------|------|------|------|------|------|------|------|------|------|------|------|
| 85 | MBh | 16.3 | 16.9 | 18.0 | 18.7 | 17.1 | 17.3 | 17.8 | 18.6 | 16.6 | 16.9 | 17.4 | 18.2 | 15.9 | 16.1 | 16.6 | 17.4 | 15.0 | 15.2 | 15.7 | 16.5 | 14.1 | 14.3 | 14.9 | 15.6 |
| | S/T | 1.00 | 0.91 | 0.77 | 0.62 | 1.00 | 1.00 | 0.77 | 0.62 | 1.00 | 1.00 | 0.80 | 0.65 | 1.00 | 1.00 | 0.82 | 0.67 | 1.00 | 1.00 | 1.00 | 0.69 | 1.00 | 1.00 | 1.00 | 0.75 |
| | ΔT | 33 | 31 | 24 | 20 | 28 | 27 | 24 | 20 | 28 | 27 | 24 | 21 | 28 | 27 | 24 | 20 | 28 | 26 | 23 | 20 | 29 | 27 | 24 | 21 |
| | kW | 1.04 | 1.07 | 1.07 | 1.08 | 1.21 | 1.21 | 1.20 | 1.21 | 1.36 | 1.36 | 1.35 | 1.36 | 1.52 | 1.52 | 1.52 | 1.53 | 1.70 | 1.70 | 1.70 | 1.71 | 1.92 | 1.91 | 1.91 | 1.92 |
| | Amps | 3.6 | 3.8 | 3.9 | 3.9 | 4.5 | 4.5 | 4.5 | 4.5 | 5.1 | 5.1 | 5.1 | 5.2 | 5.8 | 5.8 | 5.8 | 5.9 | 6.6 | 6.6 | 6.6 | 6.7 | 7.6 | 7.5 | 7.5 | 7.6 |
| | Hi PR | 245 | 246 | 246 | 251 | 282 | 283 | 285 | 289 | 322 | 323 | 325 | 329 | 365 | 366 | 368 | 372 | 411 | 412 | 414 | 418 | 461 | 462 | 464 | 468 |
| | Lo PR | 127 | 128 | 133 | 138 | 136 | 138 | 141 | 146 | 143 | 144 | 147 | 153 | 148 | 150 | 153 | 158 | 154 | 155 | 159 | 164 | 161 | 162 | 166 | 171 |
| | MBh | 16.9 | 17.7 | 18.2 | 19.0 | 17.3 | 17.6 | 18.1 | 18.9 | 16.9 | 17.1 | 17.6 | 18.4 | 16.1 | 16.4 | 16.9 | 17.7 | 15.2 | 15.5 | 16.0 | 16.7 | 14.4 | 14.6 | 15.1 | 15.9 |
| | S/T | 1.00 | 0.98 | 0.84 | 0.69 | 1.00 | 1.00 | 0.85 | 0.70 | 1.00 | 1.00 | 0.88 | 0.73 | 1.00 | 1.00 | 0.90 | 0.75 | 1.00 | 1.00 | 1.00 | 0.77 | 1.00 | 1.00 | 1.00 | 0.82 |
| | ΔT | 31 | 25 | 22 | 19 | 27 | 25 | 22 | 19 | 27 | 26 | 23 | 19 | 27 | 25 | 22 | 19 | 27 | 25 | 22 | 19 | 28 | 26 | 23 | 20 |
| kW | 1.08 | 1.08 | 1.08 | 1.09 | 1.22 | 1.21 | 1.21 | 1.22 | 1.37 | 1.36 | 1.36 | 1.37 | 1.53 | 1.53 | 1.53 | 1.54 | 1.71 | 1.71 | 1.71 | 1.72 | 1.92 | 1.92 | 1.92 | 1.93 | |
| Amps | 3.8 | 3.9 | 3.9 | 4.0 | 4.5 | 4.5 | 4.5 | 4.5 | 5.2 | 5.2 | 5.1 | 5.2 | 5.9 | 5.9 | 5.9 | 5.9 | 6.7 | 6.7 | 6.6 | 6.7 | 7.6 | 7.6 | 7.6 | 7.6 | |
| Hi PR | 248 | 247 | 249 | 253 | 284 | 285 | 287 | 291 | 324 | 325 | 327 | 331 | 367 | 368 | 370 | 374 | 414 | 415 | 417 | 421 | 463 | 464 | 466 | 470 | |
| Lo PR | 129 | 132 | 135 | 141 | 138 | 140 | 143 | 148 | 145 | 146 | 150 | 155 | 151 | 152 | 155 | 161 | 156 | 158 | 161 | 166 | 163 | 165 | 168 | 173 | |
| MBh | 17.8 | 18.1 | 18.6 | 19.3 | 17.7 | 17.9 | 18.4 | 19.2 | 17.2 | 17.5 | 18.0 | 18.7 | 16.5 | 16.7 | 17.2 | 18.0 | 15.5 | 15.8 | 16.3 | 17.0 | 14.7 | 14.9 | 15.4 | 16.2 | |
| S/T | 1.00 | 1.00 | 0.88 | 0.73 | 1.00 | 1.00 | 0.89 | 0.74 | 1.00 | 1.00 | 0.91 | 0.77 | 1.00 | 1.00 | 0.93 | 0.79 | 1.00 | 1.00 | 1.00 | 0.81 | 1.00 | 1.00 | 1.00 | 0.86 | |
| ΔT | 26 | 25 | 21 | 18 | 26 | 24 | 21 | 18 | 26 | 25 | 22 | 18 | 26 | 24 | 21 | 18 | 26 | 24 | 21 | 18 | 27 | 25 | 22 | 19 | |
| kW | 1.09 | 1.09 | 1.08 | 1.09 | 1.22 | 1.22 | 1.22 | 1.23 | 1.37 | 1.37 | 1.37 | 1.38 | 1.54 | 1.53 | 1.53 | 1.54 | 1.72 | 1.72 | 1.71 | 1.72 | 1.93 | 1.93 | 1.93 | 1.94 | |
| Amps | 4.0 | 3.9 | 3.9 | 4.0 | 4.5 | 4.5 | 4.5 | 4.6 | 5.2 | 5.2 | 5.2 | 5.2 | 5.9 | 5.9 | 5.9 | 5.9 | 6.7 | 6.7 | 6.7 | 6.7 | 7.6 | 7.6 | 7.6 | 7.6 | |
| Hi PR | 248 | 249 | 251 | 255 | 287 | 288 | 289 | 294 | 327 | 328 | 329 | 334 | 370 | 371 | 372 | 377 | 416 | 417 | 419 | 423 | 466 | 467 | 469 | 473 | |
| Lo PR | 133 | 134 | 138 | 143 | 141 | 142 | 145 | 151 | 147 | 149 | 152 | 157 | 153 | 155 | 158 | 163 | 159 | 160 | 163 | 169 | 166 | 167 | 170 | 176 | |

IDB = Entering Indoor Dry Bulb Temperature
 High and low pressures are measured at the liquid and suction service valves.
 Shaded area is AHRI conditions.
 kW = Total system power
 Amps = outdoor unit amps (comp.+fan)

EXPANDED COOLING DATA — ASZS602410A* / AHVE24BP1400A*

| IDB | AIRFLOW | OUTDOOR AMBIENT TEMPERATURE | | | | | | | | | | | | 105°F | | | | | | | | | | | | 115°F | | | | | | | | | | | |
|-----|---------|-----------------------------|------|------|----|------|------|------|----|------|------|------|----|-------|------|------|----|-------|------|------|----|-------|------|------|----|-------|--|--|--|--|--|--|--|--|--|--|--|
| | | 65°F | | | | 75°F | | | | 85°F | | | | 95°F | | | | 105°F | | | | 115°F | | | | | | | | | | | | | | | |
| | | 59 | 63 | 67 | 71 | 59 | 63 | 67 | 71 | 59 | 63 | 67 | 71 | 59 | 63 | 67 | 71 | 59 | 63 | 67 | 71 | 59 | 63 | 67 | 71 | | | | | | | | | | | | |
| 70 | MBh | 21.2 | 22.3 | 23.5 | - | 22.3 | 22.6 | 23.3 | - | 21.7 | 22.1 | 22.7 | - | 20.7 | 21.0 | 21.7 | - | 19.5 | 19.8 | 20.5 | - | 18.4 | 18.7 | 19.3 | - | | | | | | | | | | | | |
| | S/T | 0.61 | 0.53 | 0.39 | - | 0.61 | 0.53 | 0.40 | - | 0.64 | 0.56 | 0.42 | - | 0.66 | 0.58 | 0.44 | - | 1.00 | 0.60 | 0.46 | - | 1.00 | 0.66 | 0.52 | - | | | | | | | | | | | | |
| | ΔT | 20 | 19 | 13 | - | 18 | 16 | 13 | - | 18 | 16 | 13 | - | 18 | 16 | 13 | - | 18 | 16 | 13 | - | 19 | 17 | 14 | - | | | | | | | | | | | | |
| | kW | 1.44 | 1.50 | 1.53 | - | 1.73 | 1.73 | 1.73 | - | 1.95 | 1.95 | 1.95 | - | 2.19 | 2.19 | 2.19 | - | 2.46 | 2.46 | 2.45 | - | 2.77 | 2.77 | 2.76 | - | | | | | | | | | | | | |
| | Amps | 5.1 | 5.3 | 5.5 | - | 6.4 | 6.4 | 6.4 | - | 7.3 | 7.3 | 7.3 | - | 8.4 | 8.4 | 8.4 | - | 9.5 | 9.5 | 9.5 | - | 10.9 | 10.9 | 10.9 | - | | | | | | | | | | | | |
| | Hi PR | 256 | 259 | 264 | - | 302 | 303 | 305 | - | 345 | 346 | 348 | - | 391 | 393 | 394 | - | 442 | 443 | 445 | - | 495 | 496 | 498 | - | | | | | | | | | | | | |
| | Lo PR | 121 | 122 | 127 | - | 130 | 131 | 134 | - | 136 | 138 | 141 | - | 142 | 143 | 146 | - | 147 | 148 | 152 | - | 154 | 155 | 158 | - | | | | | | | | | | | | |
| | MBh | 22.3 | 23.2 | 23.9 | - | 22.7 | 23.0 | 23.7 | - | 22.1 | 22.4 | 23.1 | - | 21.1 | 21.4 | 22.1 | - | 19.8 | 20.2 | 20.8 | - | 18.7 | 19.0 | 19.7 | - | | | | | | | | | | | | |
| | S/T | 0.68 | 0.61 | 0.47 | - | 0.69 | 0.61 | 0.47 | - | 0.72 | 0.64 | 0.50 | - | 1.00 | 0.66 | 0.52 | - | 1.00 | 0.68 | 0.54 | - | 1.00 | 0.73 | 0.59 | - | | | | | | | | | | | | |
| | ΔT | 19 | 15 | 12 | - | 17 | 15 | 12 | - | 17 | 15 | 12 | - | 17 | 15 | 12 | - | 16 | 15 | 12 | - | 17 | 16 | 13 | - | | | | | | | | | | | | |
| | kW | 1.52 | 1.55 | 1.54 | - | 1.74 | 1.74 | 1.74 | - | 1.96 | 1.96 | 1.96 | - | 2.20 | 2.20 | 2.20 | - | 2.47 | 2.47 | 2.46 | - | 2.78 | 2.78 | 2.78 | - | | | | | | | | | | | | |
| | Amps | 5.4 | 5.6 | 5.6 | - | 6.4 | 6.4 | 6.4 | - | 7.4 | 7.4 | 7.4 | - | 8.4 | 8.4 | 8.4 | - | 9.6 | 9.6 | 9.6 | - | 10.9 | 10.9 | 10.9 | - | | | | | | | | | | | | |
| | Hi PR | 261 | 264 | 266 | - | 305 | 306 | 308 | - | 348 | 349 | 351 | - | 394 | 395 | 397 | - | 444 | 445 | 447 | - | 498 | 499 | 501 | - | | | | | | | | | | | | |
| | Lo PR | 123 | 126 | 129 | - | 132 | 133 | 136 | - | 138 | 140 | 143 | - | 144 | 145 | 148 | - | 149 | 151 | 154 | - | 156 | 157 | 161 | - | | | | | | | | | | | | |
| | MBh | 23.3 | 23.6 | 24.3 | - | 23.1 | 23.4 | 24.1 | - | 22.5 | 22.8 | 23.5 | - | 21.5 | 21.8 | 22.5 | - | 20.3 | 20.6 | 21.3 | - | 19.1 | 19.5 | 20.1 | - | | | | | | | | | | | | |
| | S/T | 0.72 | 0.64 | 0.51 | - | 0.73 | 0.65 | 0.51 | - | 0.76 | 0.68 | 0.54 | - | 1.00 | 0.70 | 0.56 | - | 1.00 | 0.72 | 0.58 | - | 1.00 | 0.77 | 0.63 | - | | | | | | | | | | | | |
| | ΔT | 16 | 14 | 11 | - | 16 | 14 | 11 | - | 16 | 14 | 11 | - | 16 | 14 | 11 | - | 15 | 14 | 11 | - | 16 | 15 | 12 | - | | | | | | | | | | | | |
| | kW | 1.56 | 1.56 | 1.55 | - | 1.76 | 1.75 | 1.75 | - | 1.98 | 1.97 | 1.97 | - | 2.21 | 2.21 | 2.21 | - | 2.48 | 2.48 | 2.47 | - | 2.79 | 2.79 | 2.79 | - | | | | | | | | | | | | |
| | Amps | 5.6 | 5.6 | 5.6 | - | 6.5 | 6.5 | 6.5 | - | 7.4 | 7.4 | 7.4 | - | 8.5 | 8.5 | 8.5 | - | 9.6 | 9.6 | 9.6 | - | 11.0 | 11.0 | 11.0 | - | | | | | | | | | | | | |
| | Hi PR | 266 | 267 | 269 | - | 307 | 308 | 310 | - | 350 | 351 | 353 | - | 397 | 398 | 400 | - | 447 | 448 | 450 | - | 500 | 501 | 503 | - | | | | | | | | | | | | |
| | Lo PR | 127 | 128 | 131 | - | 134 | 136 | 139 | - | 141 | 142 | 145 | - | 146 | 148 | 151 | - | 152 | 153 | 156 | - | 158 | 160 | 163 | - | | | | | | | | | | | | |

| | | | | | | | | | | | | | | | | | | | | | | | | | |
|----|-------|------|------|------|------|------|------|------|------|------|------|------|------|------|------|------|------|------|------|------|------|------|------|------|------|
| 75 | MBh | 21.3 | 22.3 | 23.5 | 24.6 | 22.3 | 22.7 | 23.3 | 24.4 | 21.8 | 22.1 | 22.7 | 23.8 | 20.7 | 21.1 | 21.7 | 22.8 | 19.5 | 19.8 | 20.5 | 21.5 | 18.4 | 18.7 | 19.4 | 20.4 |
| | S/T | 0.75 | 0.66 | 0.52 | 0.37 | 0.75 | 0.67 | 0.53 | 0.38 | 1.00 | 0.69 | 0.55 | 0.41 | 1.00 | 0.71 | 0.57 | 0.43 | 1.00 | 0.74 | 0.60 | 0.45 | 1.00 | 1.00 | 0.65 | 0.50 |
| | ΔT | 24 | 23 | 17 | 14 | 21 | 20 | 17 | 14 | 22 | 20 | 17 | 14 | 21 | 20 | 17 | 13 | 21 | 19 | 16 | 13 | 22 | 20 | 17 | 14 |
| | kW | 1.44 | 1.50 | 1.53 | 1.54 | 1.73 | 1.73 | 1.73 | 1.74 | 1.95 | 1.95 | 1.95 | 1.96 | 2.19 | 2.19 | 2.18 | 2.20 | 2.46 | 2.45 | 2.45 | 2.47 | 2.77 | 2.77 | 2.76 | 2.78 |
| | Amps | 5.1 | 5.3 | 5.5 | 5.6 | 6.4 | 6.4 | 6.4 | 6.4 | 7.3 | 7.3 | 7.3 | 7.4 | 8.4 | 8.4 | 8.3 | 8.4 | 9.5 | 9.5 | 9.5 | 9.6 | 10.9 | 10.9 | 10.9 | 10.9 |
| | Hi PR | 257 | 260 | 264 | 268 | 302 | 303 | 305 | 310 | 345 | 346 | 348 | 353 | 392 | 393 | 395 | 399 | 442 | 443 | 445 | 449 | 495 | 496 | 498 | 503 |
| | Lo PR | 121 | 122 | 127 | 132 | 130 | 131 | 134 | 139 | 136 | 138 | 141 | 146 | 142 | 143 | 146 | 151 | 147 | 148 | 152 | 157 | 154 | 155 | 158 | 164 |
| | MBh | 22.3 | 23.2 | 23.9 | 24.9 | 22.7 | 23.0 | 23.7 | 24.7 | 22.1 | 22.4 | 23.1 | 24.1 | 21.1 | 21.4 | 22.1 | 23.1 | 19.8 | 20.2 | 20.8 | 21.9 | 18.7 | 19.0 | 19.7 | 20.7 |
| | S/T | 0.82 | 0.74 | 0.60 | 0.45 | 0.82 | 0.74 | 0.61 | 0.46 | 1.00 | 0.77 | 0.63 | 0.48 | 1.00 | 0.79 | 0.65 | 0.50 | 1.00 | 0.81 | 0.67 | 0.53 | 1.00 | 1.00 | 0.73 | 0.58 |
| | ΔT | 23 | 19 | 15 | 12 | 20 | 18 | 15 | 12 | 20 | 19 | 16 | 13 | 20 | 18 | 15 | 12 | 20 | 18 | 15 | 12 | 21 | 19 | 16 | 13 |
| | kW | 1.52 | 1.54 | 1.54 | 1.56 | 1.74 | 1.74 | 1.74 | 1.75 | 1.96 | 1.96 | 1.96 | 1.97 | 2.20 | 2.20 | 2.20 | 2.21 | 2.47 | 2.47 | 2.46 | 2.48 | 2.78 | 2.78 | 2.78 | 2.79 |
| | Amps | 5.4 | 5.6 | 5.6 | 5.6 | 6.4 | 6.4 | 6.4 | 6.5 | 7.4 | 7.4 | 7.4 | 7.4 | 8.4 | 8.4 | 8.4 | 8.5 | 9.6 | 9.6 | 9.6 | 9.6 | 10.9 | 10.9 | 10.9 | 11.0 |
| | Hi PR | 261 | 265 | 267 | 271 | 305 | 306 | 308 | 312 | 348 | 349 | 351 | 355 | 394 | 396 | 397 | 402 | 445 | 446 | 447 | 452 | 498 | 499 | 501 | 506 |
| | Lo PR | 123 | 126 | 129 | 134 | 132 | 133 | 136 | 142 | 138 | 140 | 143 | 148 | 144 | 145 | 148 | 154 | 149 | 151 | 154 | 159 | 156 | 157 | 161 | 166 |
| | MBh | 23.3 | 23.7 | 24.3 | 25.4 | 23.1 | 23.4 | 24.1 | 25.2 | 22.5 | 22.9 | 23.5 | 24.6 | 21.5 | 21.8 | 22.5 | 23.5 | 20.3 | 20.6 | 21.3 | 22.3 | 19.2 | 19.5 | 20.1 | 21.2 |
| | S/T | 0.86 | 0.78 | 0.64 | 0.49 | 1.00 | 0.78 | 0.64 | 0.50 | 1.00 | 0.81 | 0.67 | 0.52 | 1.00 | 0.83 | 0.69 | 0.54 | 1.00 | 0.85 | 0.71 | 0.57 | 1.00 | 1.00 | 0.77 | 0.62 |
| | ΔT | 19 | 18 | 15 | 11 | 19 | 18 | 14 | 11 | 19 | 18 | 15 | 12 | 19 | 17 | 14 | 11 | 19 | 17 | 14 | 11 | 20 | 18 | 15 | 12 |
| | kW | 1.56 | 1.56 | 1.55 | 1.57 | 1.75 | 1.75 | 1.75 | 1.76 | 1.97 | 1.97 | 1.97 | 1.98 | 2.21 | 2.21 | 2.21 | 2.22 | 2.48 | 2.48 | 2.47 | 2.49 | 2.79 | 2.79 | 2.79 | 2.80 |
| | Amps | 5.6 | 5.6 | 5.6 | 5.7 | 6.5 | 6.5 | 6.5 | 6.5 | 7.4 | 7.4 | 7.4 | 7.5 | 8.5 | 8.5 | 8.4 | 8.5 | 9.6 | 9.6 | 9.6 | 9.7 | 11.0 | 11.0 | 11.0 | 11.0 |
| | Hi PR | 266 | 267 | 269 | 274 | 307 | 308 | 310 | 315 | 351 | 352 | 353 | 358 | 397 | 398 | 400 | 405 | 447 | 448 | 450 | 455 | 501 | 502 | 504 | 508 |
| | Lo PR | 127 | 128 | 131 | 137 | 134 | 136 | 139 | 144 | 141 | 142 | 145 | 150 | 146 | 148 | 151 | 156 | 152 | 153 | 156 | 161 | 158 | 160 | 163 | 168 |

IDB = Entering Indoor Dry Bulb Temperature
 High and low pressures are measured at the liquid and suction service valves.
 Shaded area is ACCA (TVA) conditions.
 kW = Total system power
 Amps = outdoor unit amps (comp.+fan)

EXPANDED COOLING DATA — ASZS602410A* / AHVE24BP1400A* (CONT.)

| IDB | AIRFLOW | OUTDOOR AMBIENT TEMPERATURE | | | | | | | | | | | | ENTERING INDOOR WET BULB TEMPERATURE | | | | | | | | | | | |
|------------|---------|-----------------------------|------|------|------|------|------|------|------|------|------|------|------|--------------------------------------|------|------|------|-------|------|------|------|-------|------|------|------|
| | | 65°F | | | | 75°F | | | | 85°F | | | | 95°F | | | | 105°F | | | | 115°F | | | |
| | | 59 | 63 | 67 | 71 | 59 | 63 | 67 | 71 | 59 | 63 | 67 | 71 | 59 | 63 | 67 | 71 | 59 | 63 | 67 | 71 | 59 | 63 | 67 | 71 |
| 80 | MBh | 21.4 | 22.4 | 23.7 | 24.7 | 22.5 | 22.8 | 23.5 | 24.5 | 21.9 | 22.2 | 22.9 | 23.9 | 20.9 | 21.2 | 21.8 | 22.9 | 19.6 | 19.9 | 20.6 | 21.6 | 18.5 | 18.8 | 19.5 | 20.5 |
| | S/T | 0.88 | 0.79 | 0.65 | 0.50 | 1.00 | 0.80 | 0.66 | 0.51 | 1.00 | 0.82 | 0.68 | 0.54 | 1.00 | 0.84 | 0.70 | 0.56 | 1.00 | 1.00 | 0.73 | 0.58 | 1.00 | 1.00 | 0.78 | 0.63 |
| | ΔT | 29 | 27 | 20 | 17 | 25 | 23 | 20 | 17 | 25 | 24 | 20 | 17 | 25 | 23 | 20 | 17 | 25 | 23 | 20 | 17 | 26 | 24 | 21 | 18 |
| | kW | 1.44 | 1.50 | 1.53 | 1.55 | 1.73 | 1.73 | 1.73 | 1.74 | 1.95 | 1.95 | 1.95 | 1.96 | 2.19 | 2.19 | 2.19 | 2.20 | 2.46 | 2.45 | 2.45 | 2.47 | 2.77 | 2.77 | 2.77 | 2.78 |
| | Amps | 5.1 | 5.3 | 5.5 | 5.6 | 6.4 | 6.4 | 6.4 | 6.4 | 7.4 | 7.3 | 7.3 | 7.4 | 8.4 | 8.4 | 8.4 | 8.4 | 9.5 | 9.5 | 9.5 | 9.6 | 10.9 | 10.9 | 10.9 | 10.9 |
| | Hi PR | 257 | 260 | 264 | 269 | 303 | 304 | 306 | 310 | 346 | 347 | 349 | 353 | 392 | 393 | 395 | 400 | 442 | 443 | 445 | 450 | 496 | 497 | 499 | 503 |
| Lo PR | 122 | 123 | 127 | 132 | 130 | 132 | 135 | 140 | 137 | 138 | 141 | 146 | 142 | 144 | 147 | 152 | 148 | 149 | 152 | 157 | 154 | 156 | 159 | 164 | |
| 80 | MBh | 22.4 | 23.3 | 24.0 | 25.0 | 22.8 | 23.1 | 23.8 | 24.8 | 22.2 | 22.5 | 23.2 | 24.2 | 21.2 | 21.5 | 22.2 | 23.2 | 20.0 | 20.3 | 21.0 | 22.0 | 18.8 | 19.2 | 19.8 | 20.9 |
| | S/T | 1.00 | 0.87 | 0.73 | 0.58 | 1.00 | 0.87 | 0.73 | 0.59 | 1.00 | 0.90 | 0.76 | 0.61 | 1.00 | 1.00 | 0.78 | 0.63 | 1.00 | 1.00 | 0.80 | 0.66 | 1.00 | 1.00 | 0.86 | 0.71 |
| | ΔT | 27 | 22 | 19 | 16 | 24 | 22 | 19 | 16 | 24 | 22 | 19 | 16 | 24 | 22 | 19 | 16 | 23 | 22 | 19 | 16 | 24 | 23 | 20 | 17 |
| | kW | 1.52 | 1.55 | 1.54 | 1.56 | 1.74 | 1.74 | 1.74 | 1.75 | 1.96 | 1.96 | 1.96 | 1.97 | 2.20 | 2.20 | 2.20 | 2.21 | 2.47 | 2.47 | 2.46 | 2.48 | 2.78 | 2.78 | 2.78 | 2.79 |
| | Amps | 5.4 | 5.6 | 5.6 | 5.6 | 6.4 | 6.4 | 6.4 | 6.5 | 7.4 | 7.4 | 7.4 | 7.4 | 8.4 | 8.4 | 8.4 | 8.5 | 9.6 | 9.6 | 9.6 | 9.6 | 10.9 | 10.9 | 10.9 | 11.0 |
| | Hi PR | 262 | 265 | 267 | 272 | 305 | 306 | 308 | 313 | 348 | 350 | 351 | 356 | 395 | 396 | 398 | 402 | 445 | 446 | 448 | 453 | 498 | 500 | 501 | 506 |
| Lo PR | 123 | 126 | 129 | 135 | 132 | 134 | 137 | 142 | 139 | 140 | 143 | 149 | 144 | 146 | 149 | 154 | 150 | 151 | 154 | 160 | 156 | 158 | 161 | 166 | |
| 920 | MBh | 23.4 | 23.8 | 24.4 | 25.5 | 23.2 | 23.6 | 24.2 | 25.3 | 22.7 | 23.0 | 23.7 | 24.7 | 21.6 | 22.0 | 22.6 | 23.7 | 20.4 | 20.7 | 21.4 | 22.4 | 19.3 | 19.6 | 20.3 | 21.3 |
| | S/T | 1.00 | 0.91 | 0.77 | 0.62 | 1.00 | 0.91 | 0.77 | 0.63 | 1.00 | 0.94 | 0.80 | 0.65 | 1.00 | 1.00 | 0.82 | 0.67 | 1.00 | 1.00 | 0.84 | 0.70 | 1.00 | 1.00 | 0.89 | 0.75 |
| | ΔT | 23 | 21 | 18 | 15 | 23 | 21 | 18 | 15 | 23 | 21 | 18 | 15 | 23 | 21 | 18 | 15 | 22 | 21 | 18 | 15 | 24 | 22 | 19 | 16 |
| | kW | 1.56 | 1.56 | 1.55 | 1.57 | 1.75 | 1.75 | 1.75 | 1.76 | 1.97 | 1.97 | 1.97 | 1.99 | 2.21 | 2.21 | 2.21 | 2.22 | 2.48 | 2.48 | 2.47 | 2.49 | 2.79 | 2.79 | 2.79 | 2.80 |
| | Amps | 5.6 | 5.6 | 5.6 | 5.7 | 6.5 | 6.5 | 6.5 | 6.5 | 7.4 | 7.4 | 7.4 | 7.5 | 8.5 | 8.5 | 8.4 | 8.5 | 9.6 | 9.6 | 9.6 | 9.7 | 11.0 | 11.0 | 11.0 | 11.0 |
| | Hi PR | 267 | 268 | 270 | 274 | 308 | 309 | 311 | 315 | 351 | 352 | 354 | 359 | 397 | 399 | 400 | 405 | 448 | 449 | 451 | 455 | 501 | 502 | 504 | 509 |
| Lo PR | 127 | 129 | 132 | 137 | 135 | 136 | 139 | 144 | 141 | 143 | 146 | 151 | 147 | 148 | 151 | 157 | 152 | 154 | 157 | 162 | 159 | 160 | 164 | 169 | |

| | | | | | | | | | | | | | | | | | | | | | | | | | |
|------------|-------|------|------|------|------|------|------|------|------|------|------|------|------|------|------|------|------|------|------|------|------|------|------|------|------|
| 680 | MBh | 21.7 | 22.8 | 24.0 | 25.1 | 22.8 | 23.2 | 23.8 | 24.9 | 22.3 | 22.6 | 23.2 | 24.3 | 21.2 | 21.6 | 22.2 | 23.3 | 20.0 | 20.3 | 21.0 | 22.0 | 18.9 | 19.2 | 19.9 | 20.9 |
| | S/T | 1.00 | 0.89 | 0.75 | 0.61 | 1.00 | 0.90 | 0.76 | 0.61 | 1.00 | 1.00 | 0.79 | 0.64 | 1.00 | 1.00 | 0.81 | 0.66 | 1.00 | 1.00 | 0.83 | 0.68 | 1.00 | 1.00 | 1.00 | 0.74 |
| | ΔT | 32 | 30 | 23 | 20 | 28 | 26 | 23 | 20 | 28 | 27 | 24 | 21 | 28 | 26 | 23 | 20 | 28 | 26 | 23 | 20 | 29 | 27 | 24 | 21 |
| | kW | 1.44 | 1.51 | 1.53 | 1.55 | 1.74 | 1.73 | 1.73 | 1.75 | 1.96 | 1.95 | 1.95 | 1.97 | 2.19 | 2.19 | 2.19 | 2.20 | 2.46 | 2.46 | 2.46 | 2.47 | 2.77 | 2.77 | 2.77 | 2.78 |
| | Amps | 5.1 | 5.4 | 5.5 | 5.6 | 6.4 | 6.4 | 6.4 | 6.4 | 7.4 | 7.3 | 7.3 | 7.4 | 8.4 | 8.4 | 8.4 | 8.4 | 9.5 | 9.5 | 9.5 | 9.6 | 10.9 | 10.9 | 10.9 | 10.9 |
| | Hi PR | 258 | 261 | 266 | 270 | 304 | 305 | 307 | 311 | 347 | 348 | 350 | 354 | 393 | 395 | 396 | 401 | 444 | 445 | 447 | 451 | 497 | 498 | 500 | 505 |
| Lo PR | 124 | 125 | 129 | 134 | 132 | 133 | 137 | 142 | 138 | 140 | 143 | 148 | 144 | 145 | 149 | 154 | 149 | 151 | 154 | 159 | 156 | 158 | 161 | 166 | |
| 800 | MBh | 22.8 | 23.7 | 24.4 | 25.4 | 23.2 | 23.5 | 24.2 | 25.2 | 22.6 | 22.9 | 23.6 | 24.6 | 21.6 | 21.9 | 22.6 | 23.6 | 20.3 | 20.7 | 21.3 | 22.4 | 19.2 | 19.5 | 20.2 | 21.2 |
| | S/T | 1.00 | 0.97 | 0.83 | 0.69 | 1.00 | 1.00 | 0.84 | 0.69 | 1.00 | 1.00 | 0.86 | 0.72 | 1.00 | 1.00 | 0.88 | 0.74 | 1.00 | 1.00 | 0.91 | 0.76 | 1.00 | 1.00 | 1.00 | 0.81 |
| | ΔT | 31 | 25 | 22 | 19 | 27 | 25 | 22 | 19 | 27 | 25 | 22 | 19 | 27 | 25 | 22 | 19 | 27 | 25 | 22 | 19 | 28 | 26 | 23 | 20 |
| | kW | 1.52 | 1.55 | 1.55 | 1.56 | 1.75 | 1.75 | 1.74 | 1.76 | 1.97 | 1.97 | 1.96 | 1.98 | 2.21 | 2.21 | 2.20 | 2.22 | 2.47 | 2.47 | 2.47 | 2.48 | 2.79 | 2.78 | 2.78 | 2.80 |
| | Amps | 5.4 | 5.6 | 5.6 | 5.6 | 6.5 | 6.4 | 6.4 | 6.5 | 7.4 | 7.4 | 7.4 | 7.5 | 8.4 | 8.4 | 8.4 | 8.5 | 9.6 | 9.6 | 9.6 | 9.6 | 11.0 | 11.0 | 11.0 | 11.0 |
| | Hi PR | 263 | 266 | 268 | 273 | 306 | 308 | 309 | 314 | 350 | 351 | 353 | 357 | 396 | 397 | 399 | 404 | 446 | 447 | 449 | 454 | 500 | 501 | 503 | 507 |
| Lo PR | 125 | 128 | 131 | 136 | 134 | 136 | 139 | 144 | 141 | 142 | 145 | 150 | 146 | 148 | 151 | 156 | 152 | 153 | 156 | 161 | 158 | 160 | 163 | 168 | |
| 920 | MBh | 23.8 | 24.1 | 24.8 | 25.9 | 23.6 | 23.9 | 24.6 | 25.7 | 23.0 | 23.4 | 24.0 | 25.1 | 22.0 | 22.3 | 23.0 | 24.0 | 20.8 | 21.1 | 21.8 | 22.8 | 19.7 | 20.0 | 20.6 | 21.7 |
| | S/T | 1.00 | 1.00 | 0.87 | 0.72 | 1.00 | 1.00 | 0.88 | 0.73 | 1.00 | 1.00 | 0.90 | 0.76 | 1.00 | 1.00 | 0.92 | 0.78 | 1.00 | 1.00 | 1.00 | 0.80 | 1.00 | 1.00 | 1.00 | 0.85 |
| | ΔT | 26 | 24 | 21 | 18 | 26 | 24 | 21 | 18 | 26 | 25 | 21 | 18 | 26 | 24 | 21 | 18 | 26 | 24 | 21 | 18 | 27 | 25 | 22 | 19 |
| | kW | 1.56 | 1.56 | 1.56 | 1.57 | 1.76 | 1.76 | 1.75 | 1.77 | 1.98 | 1.98 | 1.97 | 1.99 | 2.22 | 2.22 | 2.21 | 2.23 | 2.48 | 2.48 | 2.48 | 2.49 | 2.80 | 2.79 | 2.79 | 2.81 |
| | Amps | 5.6 | 5.6 | 5.6 | 5.7 | 6.5 | 6.5 | 6.5 | 6.5 | 7.5 | 7.4 | 7.4 | 7.5 | 8.5 | 8.5 | 8.5 | 8.5 | 9.6 | 9.6 | 9.6 | 9.7 | 11.0 | 11.0 | 11.0 | 11.0 |
| | Hi PR | 268 | 269 | 271 | 275 | 309 | 310 | 312 | 317 | 352 | 353 | 355 | 360 | 399 | 400 | 402 | 406 | 449 | 450 | 452 | 456 | 502 | 503 | 505 | 510 |
| Lo PR | 129 | 131 | 134 | 139 | 136 | 138 | 141 | 146 | 143 | 145 | 148 | 153 | 149 | 150 | 153 | 158 | 154 | 155 | 159 | 164 | 161 | 162 | 165 | 171 | |

IDB = Entering Indoor Dry Bulb Temperature
 High and low pressures are measured at the liquid and suction service valves.
 Shaded area is AHRI conditions.
 kW = Total system power
 Amps = outdoor unit amps (comp.+fan)

EXPANDED COOLING DATA — ASZS603010A* / AHVE36CP1400A*

| IDB | AIRFLOW | OUTDOOR AMBIENT TEMPERATURE | | | | | | | | | | | | ENTERING INDOOR WET BULB TEMPERATURE | | | | | | | | | | | |
|-----------|---------|-----------------------------|------|------|------|------|------|------|------|------|------|------|------|--------------------------------------|-------------|------|------|-------|------|------|------|-------|------|------|------|
| | | 65°F | | | | 75°F | | | | 85°F | | | | 95°F | | | | 105°F | | | | 115°F | | | |
| | | 59 | 63 | 67 | 71 | 59 | 63 | 67 | 71 | 59 | 63 | 67 | 71 | 59 | 63 | 67 | 71 | 59 | 63 | 67 | 71 | 59 | 63 | 67 | 71 |
| 70 | MBh | 25.8 | 27.5 | 29.5 | - | 28.0 | 28.4 | 29.2 | - | 27.2 | 27.6 | 28.5 | - | 26.0 | 26.4 | 27.2 | - | 24.4 | 24.8 | 25.6 | - | 23.0 | 23.4 | 24.2 | - |
| | S/T | 0.61 | 0.54 | 0.38 | - | 0.61 | 0.53 | 0.39 | - | 0.63 | 0.55 | 0.42 | - | 1.00 | 0.57 | 0.44 | - | 1.00 | 0.60 | 0.46 | - | 1.00 | 0.65 | 0.51 | - |
| | ΔT | 20 | 18 | 13 | - | 17 | 16 | 13 | - | 18 | 16 | 13 | - | 17 | 16 | 13 | - | 17 | 16 | 13 | - | 18 | 17 | 14 | - |
| | kW | 1.71 | 1.87 | 1.97 | - | 2.22 | 2.22 | 2.22 | - | 2.50 | 2.50 | 2.49 | - | 2.80 | 2.80 | 2.79 | - | 3.13 | 3.13 | 3.13 | - | 3.53 | 3.53 | 3.52 | - |
| | Amps | 6.1 | 6.6 | 7.0 | - | 8.1 | 8.1 | 8.1 | - | 9.3 | 9.3 | 9.3 | - | 10.6 | 10.6 | 10.6 | - | 12.1 | 12.1 | 12.1 | - | 13.8 | 13.8 | 13.8 | - |
| | Hi PR | 265 | 269 | 274 | - | 314 | 315 | 317 | - | 358 | 360 | 362 | - | 407 | 408 | 410 | - | 459 | 460 | 462 | - | 514 | 516 | 517 | - |
| | Lo PR | 124 | 125 | 129 | - | 132 | 133 | 136 | - | 138 | 140 | 143 | - | 144 | 145 | 149 | - | 149 | 151 | 154 | - | 156 | 158 | 161 | - |
| | MBh | 27.5 | 29.1 | 29.9 | - | 28.4 | 28.8 | 29.6 | - | 27.7 | 28.1 | 28.9 | - | 26.4 | 26.8 | 27.6 | - | 24.8 | 25.2 | 26.1 | - | 23.4 | 23.8 | 24.7 | - |
| | S/T | 0.69 | 0.60 | 0.46 | - | 0.68 | 0.60 | 0.47 | - | 0.71 | 0.63 | 0.49 | - | 1.00 | 0.65 | 0.51 | - | 1.00 | 0.67 | 0.53 | - | 1.00 | 0.72 | 0.59 | - |
| | ΔT | 19 | 15 | 12 | - | 16 | 15 | 12 | - | 16 | 15 | 12 | - | 16 | 15 | 12 | - | 16 | 14 | 11 | - | 17 | 15 | 12 | - |
| | kW | 1.88 | 1.99 | 1.98 | - | 2.24 | 2.24 | 2.23 | - | 2.51 | 2.51 | 2.51 | - | 2.81 | 2.81 | 2.81 | - | 3.15 | 3.15 | 3.14 | - | 3.54 | 3.54 | 3.54 | - |
| | Amps | 6.7 | 7.1 | 7.1 | - | 8.2 | 8.2 | 8.2 | - | 9.4 | 9.4 | 9.4 | - | 10.7 | 10.7 | 10.7 | - | 12.2 | 12.1 | 12.1 | - | 13.9 | 13.9 | 13.8 | - |
| Hi PR | 271 | 275 | 277 | - | 316 | 318 | 319 | - | 361 | 362 | 364 | - | 409 | 411 | 413 | - | 462 | 463 | 465 | - | 517 | 518 | 520 | - | |
| Lo PR | 125 | 128 | 131 | - | 134 | 135 | 138 | - | 140 | 142 | 145 | - | 146 | 148 | 151 | - | 151 | 153 | 156 | - | 158 | 160 | 163 | - | |
| MBh | 29.2 | 29.6 | 30.4 | - | 28.9 | 29.3 | 30.2 | - | 28.2 | 28.6 | 29.4 | - | 26.9 | 27.3 | 28.2 | - | 25.4 | 25.8 | 26.6 | - | 24.0 | 24.4 | 25.2 | - | |
| S/T | 0.71 | 0.64 | 0.50 | - | 0.72 | 0.64 | 0.51 | - | 0.75 | 0.67 | 0.53 | - | 1.00 | 0.69 | 0.55 | - | 1.00 | 0.71 | 0.57 | - | 1.00 | 0.76 | 0.62 | - | |
| ΔT | 15 | 14 | 11 | - | 15 | 14 | 11 | - | 16 | 14 | 11 | - | 15 | 14 | 11 | - | 15 | 13 | 10 | - | 16 | 14 | 11 | - | |
| kW | 2.00 | 2.00 | 2.00 | - | 2.25 | 2.25 | 2.24 | - | 2.53 | 2.53 | 2.52 | - | 2.83 | 2.83 | 2.82 | - | 3.16 | 3.16 | 3.16 | - | 3.56 | 3.55 | 3.55 | - | |
| Amps | 7.2 | 7.2 | 7.1 | - | 8.2 | 8.2 | 8.2 | - | 9.5 | 9.4 | 9.4 | - | 10.8 | 10.7 | 10.7 | - | 12.2 | 12.2 | 12.2 | - | 13.9 | 13.9 | 13.9 | - | |
| Hi PR | 276 | 277 | 279 | - | 319 | 320 | 322 | - | 364 | 365 | 367 | - | 412 | 413 | 415 | - | 464 | 465 | 467 | - | 520 | 521 | 523 | - | |
| Lo PR | 129 | 130 | 133 | - | 136 | 138 | 141 | - | 143 | 144 | 148 | - | 148 | 150 | 153 | - | 154 | 155 | 159 | - | 161 | 162 | 165 | - | |
| 75 | MBh | 25.8 | 27.5 | 29.5 | 30.8 | 28.0 | 28.4 | 29.2 | 30.5 | 27.2 | 27.6 | 28.5 | 29.8 | 26.0 | 26.4 | 27.2 | 28.5 | 24.4 | 24.8 | 25.7 | 27.0 | 23.0 | 23.4 | 24.2 | 25.5 |
| | S/T | 0.75 | 0.67 | 0.52 | 0.37 | 0.74 | 0.66 | 0.52 | 0.38 | 1.00 | 0.69 | 0.55 | 0.40 | 1.00 | 0.70 | 0.57 | 0.42 | 1.00 | 0.73 | 0.59 | 0.44 | 1.00 | 0.78 | 0.64 | 0.50 |
| | ΔT | 24 | 22 | 16 | 13 | 21 | 19 | 16 | 13 | 21 | 20 | 17 | 13 | 21 | 19 | 16 | 13 | 21 | 19 | 16 | 13 | 22 | 20 | 17 | 14 |
| | kW | 1.71 | 1.87 | 1.97 | 1.98 | 2.22 | 2.22 | 2.21 | 2.23 | 2.50 | 2.50 | 2.49 | 2.51 | 2.80 | 2.80 | 2.79 | 2.81 | 3.13 | 3.13 | 3.13 | 3.15 | 3.53 | 3.52 | 3.52 | 3.54 |
| | Amps | 6.1 | 6.6 | 7.0 | 7.1 | 8.1 | 8.1 | 8.1 | 8.2 | 9.3 | 9.3 | 9.3 | 9.4 | 10.6 | 10.6 | 10.6 | 10.7 | 12.1 | 12.1 | 12.1 | 12.1 | 13.8 | 13.8 | 13.8 | 13.8 |
| | Hi PR | 265 | 269 | 274 | 279 | 314 | 315 | 317 | 322 | 359 | 360 | 362 | 366 | 407 | 408 | 410 | 415 | 459 | 460 | 462 | 467 | 515 | 516 | 518 | 522 |
| | Lo PR | 124 | 125 | 129 | 134 | 132 | 133 | 136 | 142 | 138 | 140 | 143 | 148 | 144 | 145 | 149 | 154 | 149 | 151 | 154 | 159 | 156 | 158 | 161 | 166 |
| | MBh | 27.5 | 29.1 | 29.9 | 31.2 | 28.4 | 28.8 | 29.7 | 31.0 | 27.7 | 28.1 | 28.9 | 30.2 | 26.4 | 26.8 | 27.7 | 28.9 | 24.9 | 25.3 | 26.1 | 27.4 | 23.4 | 23.8 | 24.7 | 26.0 |
| | S/T | 0.83 | 0.73 | 0.59 | 0.45 | 1.00 | 0.74 | 0.60 | 0.45 | 1.00 | 0.76 | 0.62 | 0.48 | 1.00 | 0.78 | 0.64 | 0.50 | 1.00 | 0.80 | 0.67 | 0.52 | 1.00 | 1.00 | 0.72 | 0.57 |
| | ΔT | 23 | 18 | 15 | 12 | 20 | 18 | 15 | 12 | 20 | 18 | 15 | 12 | 20 | 18 | 15 | 12 | 20 | 18 | 15 | 12 | 21 | 19 | 16 | 13 |
| | kW | 1.88 | 1.99 | 1.98 | 2.00 | 2.24 | 2.23 | 2.23 | 2.25 | 2.51 | 2.51 | 2.51 | 2.53 | 2.81 | 2.81 | 2.81 | 2.83 | 3.15 | 3.15 | 3.14 | 3.16 | 3.54 | 3.54 | 3.54 | 3.55 |
| | Amps | 6.6 | 7.1 | 7.1 | 7.2 | 8.2 | 8.2 | 8.2 | 8.2 | 9.4 | 9.4 | 9.4 | 9.4 | 10.7 | 10.7 | 10.7 | 10.7 | 12.1 | 12.1 | 12.1 | 12.2 | 13.9 | 13.9 | 13.8 | 13.9 |
| Hi PR | 271 | 275 | 277 | 282 | 317 | 318 | 320 | 324 | 361 | 363 | 365 | 369 | 410 | 411 | 413 | 418 | 462 | 463 | 465 | 470 | 517 | 519 | 520 | 525 | |
| Lo PR | 125 | 128 | 131 | 136 | 134 | 135 | 138 | 144 | 140 | 142 | 145 | 150 | 146 | 148 | 151 | 156 | 152 | 153 | 156 | 162 | 158 | 160 | 163 | 168 | |
| MBh | 29.2 | 29.6 | 30.5 | 31.7 | 29.0 | 29.4 | 30.2 | 31.5 | 28.2 | 28.6 | 29.5 | 30.8 | 26.9 | 27.3 | 28.2 | 29.5 | 25.4 | 25.8 | 26.6 | 27.9 | 24.0 | 24.4 | 25.2 | 26.5 | |
| S/T | 0.84 | 0.77 | 0.63 | 0.48 | 1.00 | 0.77 | 0.64 | 0.49 | 1.00 | 0.80 | 0.66 | 0.52 | 1.00 | 0.82 | 0.68 | 0.54 | 1.00 | 1.00 | 0.70 | 0.56 | 1.00 | 1.00 | 0.76 | 0.61 | |
| ΔT | 19 | 17 | 14 | 11 | 19 | 17 | 14 | 11 | 19 | 17 | 14 | 11 | 19 | 17 | 14 | 11 | 19 | 17 | 14 | 11 | 20 | 18 | 15 | 12 | |
| kW | 2.00 | 2.00 | 1.99 | 2.01 | 2.25 | 2.25 | 2.24 | 2.26 | 2.53 | 2.52 | 2.52 | 2.54 | 2.83 | 2.82 | 2.82 | 2.84 | 3.16 | 3.16 | 3.15 | 3.17 | 3.55 | 3.55 | 3.55 | 3.57 | |
| Amps | 7.2 | 7.2 | 7.1 | 7.2 | 8.2 | 8.2 | 8.2 | 8.3 | 9.4 | 9.4 | 9.4 | 9.5 | 10.7 | 10.7 | 10.7 | 10.8 | 12.2 | 12.2 | 12.2 | 12.3 | 13.9 | 13.9 | 13.9 | 14.0 | |
| Hi PR | 276 | 278 | 280 | 284 | 319 | 320 | 322 | 327 | 364 | 365 | 367 | 372 | 412 | 414 | 415 | 420 | 464 | 466 | 468 | 472 | 520 | 521 | 523 | 528 | |
| Lo PR | 129 | 130 | 133 | 139 | 136 | 138 | 141 | 146 | 143 | 144 | 148 | 153 | 148 | 150 | 153 | 158 | 154 | 155 | 159 | 164 | 161 | 162 | 166 | 171 | |

IDB = Entering Indoor Dry Bulb Temperature
 High and low pressures are measured at the liquid and suction service valves.
 Shaded area is ACCA (TVA) conditions.
 kW = Total system power
 Amps = outdoor unit amps (comp.+fan)

EXPANDED COOLING DATA — ASZS603010A* / AHVE36CP1400A* (CONT.)

| IDB | AIRFLOW | OUTDOOR AMBIENT TEMPERATURE | | | | | | | | | | | | ENTERING INDOOR WET BULB TEMPERATURE | | | | | | | | | | | |
|-------|---------|-----------------------------|------|------|------|------|------|------|------|------|------|------|------|--------------------------------------|------|------|------|-------|------|------|------|-------|------|------|------|
| | | 65°F | | | | 75°F | | | | 85°F | | | | 95°F | | | | 105°F | | | | 115°F | | | |
| | | 59 | 63 | 67 | 71 | 59 | 63 | 67 | 71 | 59 | 63 | 67 | 71 | 59 | 63 | 67 | 71 | 59 | 63 | 67 | 71 | 59 | 63 | 67 | 71 |
| 80 | MBh | 25.9 | 27.6 | 29.6 | 30.9 | 28.1 | 28.5 | 29.4 | 30.7 | 27.4 | 27.8 | 28.6 | 29.9 | 26.1 | 26.5 | 27.4 | 28.7 | 24.6 | 25.0 | 25.8 | 27.1 | 23.2 | 23.5 | 24.4 | 25.7 |
| | S/T | 1.00 | 0.80 | 0.64 | 0.50 | 1.00 | 0.79 | 0.65 | 0.50 | 1.00 | 0.81 | 0.67 | 0.53 | 1.00 | 1.00 | 0.69 | 0.55 | 1.00 | 1.00 | 0.72 | 0.57 | 1.00 | 1.00 | 0.77 | 0.62 |
| | ΔT | 28 | 26 | 20 | 17 | 24 | 23 | 20 | 17 | 25 | 23 | 20 | 17 | 24 | 23 | 20 | 17 | 24 | 23 | 20 | 17 | 25 | 24 | 21 | 18 |
| | kW | 1.71 | 1.87 | 1.97 | 1.99 | 2.22 | 2.22 | 2.22 | 2.23 | 2.50 | 2.50 | 2.49 | 2.51 | 2.80 | 2.80 | 2.79 | 2.81 | 3.13 | 3.13 | 3.13 | 3.15 | 3.53 | 3.52 | 3.52 | 3.54 |
| | Amps | 6.1 | 6.6 | 7.0 | 7.1 | 8.1 | 8.1 | 8.1 | 8.2 | 9.3 | 9.3 | 9.3 | 9.4 | 10.6 | 10.6 | 10.6 | 10.7 | 12.1 | 12.1 | 12.1 | 12.1 | 13.8 | 13.8 | 13.8 | 13.9 |
| | Hi PR | 266 | 270 | 275 | 279 | 314 | 316 | 317 | 322 | 359 | 360 | 362 | 367 | 407 | 409 | 411 | 415 | 460 | 461 | 463 | 467 | 515 | 516 | 518 | 523 |
| | Lo PR | 124 | 125 | 129 | 135 | 132 | 134 | 137 | 142 | 139 | 140 | 143 | 149 | 144 | 146 | 149 | 154 | 150 | 151 | 155 | 160 | 157 | 158 | 161 | 167 |
| | MBh | 27.7 | 29.2 | 30.1 | 31.4 | 28.6 | 29.0 | 29.8 | 31.1 | 27.8 | 28.2 | 29.1 | 30.4 | 26.6 | 27.0 | 27.8 | 29.1 | 25.0 | 25.4 | 26.2 | 27.5 | 23.6 | 24.0 | 24.8 | 26.1 |
| | S/T | 1.00 | 0.86 | 0.72 | 0.57 | 1.00 | 0.86 | 0.73 | 0.58 | 1.00 | 0.89 | 0.75 | 0.61 | 1.00 | 1.00 | 0.77 | 0.63 | 1.00 | 1.00 | 0.79 | 0.65 | 1.00 | 1.00 | 0.84 | 0.70 |
| | ΔT | 27 | 22 | 19 | 16 | 23 | 22 | 19 | 16 | 23 | 22 | 19 | 16 | 23 | 22 | 19 | 16 | 23 | 21 | 18 | 15 | 24 | 22 | 19 | 16 |
| kW | 1.88 | 1.99 | 1.98 | 2.00 | 2.24 | 2.24 | 2.23 | 2.25 | 2.51 | 2.51 | 2.51 | 2.53 | 2.81 | 2.81 | 2.81 | 2.83 | 3.15 | 3.15 | 3.14 | 3.16 | 3.54 | 3.54 | 3.54 | 3.56 | |
| Amps | 6.7 | 7.1 | 7.1 | 7.2 | 8.2 | 8.2 | 8.2 | 8.2 | 9.4 | 9.4 | 9.4 | 9.4 | 10.7 | 10.7 | 10.7 | 10.8 | 12.2 | 12.1 | 12.1 | 12.2 | 13.9 | 13.9 | 13.8 | 13.9 | |
| Hi PR | 271 | 275 | 277 | 282 | 317 | 318 | 320 | 325 | 362 | 363 | 365 | 370 | 410 | 411 | 413 | 418 | 462 | 463 | 465 | 470 | 518 | 519 | 521 | 526 | |
| Lo PR | 126 | 128 | 131 | 137 | 134 | 136 | 139 | 144 | 141 | 142 | 146 | 151 | 147 | 148 | 151 | 157 | 152 | 154 | 157 | 162 | 159 | 160 | 164 | 169 | |
| MBh | 29.4 | 29.8 | 30.6 | 31.9 | 29.1 | 29.5 | 30.3 | 31.6 | 28.4 | 28.8 | 29.6 | 30.9 | 27.1 | 27.5 | 28.3 | 29.6 | 25.5 | 25.9 | 26.8 | 28.1 | 24.1 | 24.5 | 25.4 | 26.7 | |
| S/T | 1.00 | 0.89 | 0.76 | 0.61 | 1.00 | 0.90 | 0.76 | 0.62 | 1.00 | 0.93 | 0.79 | 0.64 | 1.00 | 1.00 | 0.81 | 0.66 | 1.00 | 1.00 | 0.83 | 0.69 | 1.00 | 1.00 | 0.88 | 0.74 | |
| ΔT | 22 | 21 | 18 | 15 | 22 | 21 | 18 | 15 | 23 | 21 | 18 | 15 | 22 | 21 | 18 | 15 | 22 | 20 | 18 | 14 | 23 | 21 | 19 | 15 | |
| kW | 2.00 | 2.00 | 2.00 | 2.01 | 2.25 | 2.25 | 2.24 | 2.26 | 2.53 | 2.52 | 2.52 | 2.54 | 2.83 | 2.82 | 2.82 | 2.84 | 3.16 | 3.16 | 3.16 | 3.17 | 3.56 | 3.55 | 3.55 | 3.57 | |
| Amps | 7.2 | 7.2 | 7.1 | 7.2 | 8.2 | 8.2 | 8.2 | 8.3 | 9.4 | 9.4 | 9.4 | 9.5 | 10.8 | 10.7 | 10.7 | 10.8 | 12.2 | 12.2 | 12.2 | 12.3 | 13.9 | 13.9 | 13.9 | 14.0 | |
| Hi PR | 277 | 278 | 280 | 285 | 320 | 321 | 323 | 328 | 365 | 366 | 368 | 372 | 413 | 414 | 416 | 421 | 465 | 466 | 468 | 473 | 520 | 522 | 524 | 528 | |
| Lo PR | 129 | 131 | 134 | 139 | 137 | 138 | 141 | 147 | 143 | 145 | 148 | 153 | 149 | 151 | 154 | 159 | 154 | 156 | 159 | 164 | 161 | 163 | 166 | 171 | |
| MBh | 26.4 | 28.1 | 30.1 | 31.4 | 28.6 | 29.0 | 29.9 | 31.1 | 27.9 | 28.3 | 29.1 | 30.4 | 26.6 | 27.0 | 27.8 | 29.1 | 25.0 | 25.4 | 26.3 | 27.6 | 23.6 | 24.0 | 24.9 | 26.2 | |
| S/T | 1.00 | 0.91 | 0.75 | 0.60 | 1.00 | 1.00 | 0.75 | 0.61 | 1.00 | 1.00 | 0.78 | 0.63 | 1.00 | 1.00 | 0.80 | 0.65 | 1.00 | 1.00 | 0.82 | 0.67 | 1.00 | 1.00 | 1.00 | 0.73 | |
| ΔT | 32 | 30 | 23 | 20 | 28 | 26 | 23 | 20 | 28 | 26 | 23 | 20 | 28 | 26 | 23 | 20 | 27 | 26 | 23 | 20 | 28 | 27 | 24 | 21 | |
| kW | 1.72 | 1.87 | 1.97 | 1.99 | 2.23 | 2.22 | 2.22 | 2.24 | 2.50 | 2.50 | 2.50 | 2.52 | 2.80 | 2.80 | 2.80 | 2.82 | 3.14 | 3.14 | 3.13 | 3.15 | 3.53 | 3.53 | 3.53 | 3.54 | |
| Amps | 6.1 | 6.6 | 7.0 | 7.1 | 8.1 | 8.1 | 8.1 | 8.2 | 9.3 | 9.3 | 9.3 | 9.4 | 10.7 | 10.6 | 10.6 | 10.7 | 12.1 | 12.1 | 12.1 | 12.2 | 13.8 | 13.8 | 13.8 | 13.9 | |
| Hi PR | 267 | 271 | 276 | 281 | 316 | 317 | 319 | 323 | 360 | 362 | 364 | 368 | 409 | 410 | 412 | 417 | 461 | 462 | 464 | 469 | 516 | 518 | 519 | 524 | |
| Lo PR | 126 | 127 | 131 | 136 | 134 | 136 | 139 | 144 | 141 | 142 | 145 | 151 | 146 | 148 | 151 | 156 | 152 | 153 | 156 | 162 | 159 | 160 | 163 | 169 | |
| MBh | 28.1 | 29.7 | 30.5 | 31.8 | 29.0 | 29.4 | 30.3 | 31.6 | 28.3 | 28.7 | 29.5 | 30.8 | 27.0 | 27.4 | 28.3 | 29.6 | 25.5 | 25.9 | 26.7 | 28.0 | 24.1 | 24.5 | 25.3 | 26.6 | |
| S/T | 1.00 | 0.96 | 0.82 | 0.68 | 1.00 | 1.00 | 0.83 | 0.68 | 1.00 | 1.00 | 0.85 | 0.71 | 1.00 | 1.00 | 0.87 | 0.73 | 1.00 | 1.00 | 1.00 | 0.75 | 1.00 | 1.00 | 1.00 | 0.80 | |
| ΔT | 30 | 25 | 22 | 19 | 26 | 25 | 22 | 19 | 27 | 25 | 22 | 19 | 26 | 25 | 22 | 19 | 26 | 25 | 22 | 19 | 27 | 26 | 23 | 20 | |
| kW | 1.89 | 1.99 | 1.99 | 2.01 | 2.24 | 2.24 | 2.24 | 2.25 | 2.52 | 2.52 | 2.51 | 2.53 | 2.82 | 2.82 | 2.81 | 2.83 | 3.15 | 3.15 | 3.15 | 3.17 | 3.55 | 3.55 | 3.54 | 3.56 | |
| Amps | 6.7 | 7.1 | 7.1 | 7.2 | 8.2 | 8.2 | 8.2 | 8.3 | 9.4 | 9.4 | 9.4 | 9.5 | 10.7 | 10.7 | 10.7 | 10.8 | 12.2 | 12.2 | 12.2 | 12.2 | 13.9 | 13.9 | 13.9 | 13.9 | |
| Hi PR | 273 | 277 | 279 | 283 | 318 | 320 | 321 | 326 | 363 | 364 | 366 | 371 | 411 | 413 | 415 | 419 | 464 | 465 | 467 | 471 | 519 | 520 | 522 | 527 | |
| Lo PR | 128 | 130 | 133 | 139 | 136 | 138 | 141 | 146 | 143 | 144 | 148 | 153 | 148 | 150 | 153 | 158 | 154 | 155 | 159 | 164 | 161 | 162 | 166 | 171 | |
| MBh | 29.8 | 30.2 | 31.1 | 32.4 | 29.6 | 30.0 | 30.8 | 32.1 | 28.8 | 29.2 | 30.1 | 31.4 | 27.6 | 28.0 | 28.8 | 30.1 | 26.0 | 26.4 | 27.3 | 28.6 | 24.6 | 25.0 | 25.8 | 27.1 | |
| S/T | 1.00 | 1.00 | 0.86 | 0.71 | 1.00 | 1.00 | 0.87 | 0.72 | 1.00 | 1.00 | 0.89 | 0.75 | 1.00 | 1.00 | 0.91 | 0.77 | 1.00 | 1.00 | 1.00 | 0.79 | 1.00 | 1.00 | 1.00 | 0.84 | |
| ΔT | 25 | 24 | 21 | 18 | 25 | 24 | 21 | 18 | 26 | 24 | 21 | 18 | 25 | 24 | 21 | 18 | 25 | 24 | 21 | 18 | 26 | 25 | 22 | 19 | |
| kW | 2.01 | 2.00 | 2.00 | 2.02 | 2.25 | 2.25 | 2.25 | 2.27 | 2.53 | 2.53 | 2.53 | 2.54 | 2.83 | 2.83 | 2.83 | 2.84 | 3.17 | 3.16 | 3.16 | 3.18 | 3.56 | 3.56 | 3.55 | 3.57 | |
| Amps | 7.2 | 7.2 | 7.2 | 7.2 | 8.3 | 8.3 | 8.2 | 8.3 | 9.5 | 9.5 | 9.4 | 9.5 | 10.8 | 10.8 | 10.7 | 10.8 | 12.2 | 12.2 | 12.2 | 12.3 | 13.9 | 13.9 | 13.9 | 14.0 | |
| Hi PR | 278 | 279 | 281 | 286 | 321 | 322 | 324 | 329 | 366 | 367 | 369 | 374 | 414 | 415 | 417 | 422 | 466 | 467 | 469 | 474 | 522 | 523 | 525 | 530 | |
| Lo PR | 131 | 133 | 136 | 141 | 139 | 140 | 143 | 149 | 145 | 147 | 150 | 155 | 151 | 152 | 156 | 161 | 156 | 158 | 161 | 166 | 163 | 165 | 168 | 173 | |

IDB = Entering Indoor Dry Bulb Temperature
 High and low pressures are measured at the liquid and suction service valves.
 Shaded areas is AHRI conditions.
 kW = Total system power
 Amps = outdoor unit amps (comp. + fan)

EXPANDED COOLING DATA — ASZS603610A* / AHVE36CP1400A*

| IDB | AIRFLOW | OUTDOOR AMBIENT TEMPERATURE | | | | | | | | | | | | ENTERING INDOOR WET BULB TEMPERATURE | | | | | | | | | | | | kW = Total system power Amps = outdoor unit amps (comp.+fan) |
|-------------|---------|-----------------------------|------|------|------|------|------|------|------|------|------|------|------|--------------------------------------|-------------|------|------|-------|------|------|------|-------|------|------|------|---|
| | | 65°F | | | | 75°F | | | | 85°F | | | | 95°F | | | | 105°F | | | | 115°F | | | | |
| | | 59 | 63 | 67 | 71 | 59 | 63 | 67 | 71 | 59 | 63 | 67 | 71 | 59 | 63 | 67 | 71 | 59 | 63 | 67 | 71 | 59 | 63 | 67 | 71 | |
| 70 | MBh | 30.2 | 32.2 | 35.6 | - | 33.8 | 34.3 | 35.3 | - | 32.9 | 33.4 | 34.4 | - | 31.4 | 31.8 | 32.9 | - | 29.5 | 30.0 | 31.0 | - | 27.5 | 27.9 | 28.9 | - | |
| | S/T | 0.63 | 0.54 | 0.39 | - | 0.61 | 0.53 | 0.39 | - | 0.64 | 0.56 | 0.42 | - | 1.00 | 0.58 | 0.44 | - | 1.00 | 0.60 | 0.46 | - | 1.00 | 0.68 | 0.53 | - | |
| | ΔT | 20 | 18 | 13 | - | 17 | 15 | 13 | - | 17 | 16 | 13 | - | 17 | 15 | 13 | - | 17 | 15 | 12 | - | 21 | 19 | 16 | - | |
| | kW | 2.21 | 2.38 | 2.71 | - | 3.06 | 3.06 | 3.05 | - | 3.44 | 3.44 | 3.43 | - | 3.85 | 3.85 | 3.84 | - | 4.31 | 4.31 | 4.30 | - | 4.79 | 4.79 | 4.79 | - | |
| | Amps | 7.7 | 8.4 | 9.4 | - | 10.9 | 10.9 | 10.9 | - | 12.6 | 12.6 | 12.6 | - | 14.4 | 14.4 | 14.4 | - | 16.4 | 16.4 | 16.3 | - | 18.5 | 18.5 | 18.5 | - | |
| | Hi PR | 275 | 278 | 281 | - | 322 | 323 | 325 | - | 368 | 369 | 371 | - | 418 | 419 | 421 | - | 471 | 472 | 474 | - | 532 | 533 | 535 | - | |
| | Lo PR | 124 | 124 | 128 | - | 131 | 133 | 136 | - | 138 | 139 | 142 | - | 143 | 145 | 148 | - | 149 | 150 | 153 | - | 153 | 155 | 158 | - | |
| | MBh | 32.2 | 35.1 | 36.1 | - | 34.3 | 34.8 | 35.8 | - | 33.4 | 33.9 | 34.9 | - | 31.9 | 32.4 | 33.4 | - | 30.0 | 30.5 | 31.5 | - | 28.0 | 28.5 | 29.5 | - | |
| | S/T | 0.70 | 0.61 | 0.47 | - | 0.69 | 0.61 | 0.47 | - | 0.72 | 0.64 | 0.50 | - | 1.00 | 0.66 | 0.52 | - | 1.00 | 0.68 | 0.54 | - | 1.00 | 0.75 | 0.61 | - | |
| | ΔT | 18 | 14 | 11 | - | 16 | 14 | 11 | - | 16 | 14 | 12 | - | 16 | 14 | 11 | - | 16 | 14 | 11 | - | 19 | 18 | 14 | - | |
| | kW | 2.40 | 2.74 | 2.73 | - | 3.08 | 3.08 | 3.07 | - | 3.46 | 3.46 | 3.45 | - | 3.87 | 3.87 | 3.86 | - | 4.33 | 4.33 | 4.32 | - | 4.81 | 4.81 | 4.81 | - | |
| | Amps | 8.5 | 9.6 | 9.5 | - | 11.0 | 11.0 | 11.0 | - | 12.7 | 12.7 | 12.7 | - | 14.5 | 14.5 | 14.4 | - | 16.5 | 16.5 | 16.4 | - | 18.6 | 18.6 | 18.5 | - | |
| Hi PR | 280 | 282 | 284 | - | 325 | 326 | 328 | - | 371 | 372 | 374 | - | 421 | 422 | 424 | - | 474 | 475 | 477 | - | 535 | 536 | 538 | - | | |
| Lo PR | 125 | 127 | 130 | - | 133 | 135 | 138 | - | 140 | 141 | 145 | - | 145 | 147 | 150 | - | 151 | 152 | 156 | - | 155 | 157 | 160 | - | | |
| 75 | MBh | 30.2 | 32.2 | 35.6 | 37.2 | 33.8 | 34.3 | 35.3 | 36.9 | 32.9 | 33.4 | 34.4 | 36.0 | 31.4 | 31.9 | 32.9 | 34.5 | 29.5 | 30.0 | 31.0 | 32.6 | 27.5 | 28.0 | 29.0 | 27.3 | |
| | S/T | 0.77 | 0.68 | 0.52 | 0.37 | 0.74 | 0.67 | 0.53 | 0.38 | 1.00 | 0.77 | 0.63 | 0.48 | 1.00 | 0.71 | 0.57 | 0.43 | 1.00 | 0.74 | 0.60 | 0.45 | 1.00 | 1.00 | 0.67 | 0.52 | |
| | ΔT | 23 | 22 | 16 | 13 | 20 | 19 | 16 | 13 | 21 | 19 | 16 | 13 | 20 | 19 | 16 | 13 | 20 | 19 | 16 | 13 | 25 | 23 | 20 | 16 | |
| | kW | 2.20 | 2.38 | 2.71 | 2.73 | 3.06 | 3.05 | 3.05 | 3.07 | 3.44 | 3.43 | 3.43 | 3.45 | 3.85 | 3.84 | 3.84 | 3.86 | 4.31 | 4.30 | 4.30 | 4.32 | 4.79 | 4.79 | 4.78 | 3.93 | |
| | Amps | 7.7 | 8.4 | 9.4 | 9.4 | 10.9 | 10.9 | 10.9 | 11.0 | 12.6 | 12.6 | 12.6 | 12.7 | 14.4 | 14.4 | 14.3 | 14.5 | 16.4 | 16.4 | 16.3 | 16.4 | 18.5 | 18.5 | 18.4 | 15.2 | |
| | Hi PR | 275 | 278 | 281 | 286 | 322 | 324 | 325 | 330 | 368 | 370 | 372 | 376 | 418 | 419 | 421 | 426 | 471 | 473 | 475 | 479 | 532 | 533 | 535 | 530 | |
| | Lo PR | 124 | 124 | 128 | 134 | 131 | 133 | 136 | 141 | 138 | 139 | 142 | 148 | 143 | 145 | 148 | 153 | 149 | 150 | 153 | 159 | 153 | 155 | 158 | 166 | |
| | MBh | 32.3 | 35.1 | 36.2 | 37.7 | 34.3 | 34.8 | 35.9 | 37.4 | 33.5 | 33.9 | 35.0 | 36.5 | 31.9 | 32.4 | 33.4 | 35.0 | 30.0 | 30.5 | 31.5 | 33.1 | 28.0 | 28.5 | 29.5 | 27.8 | |
| | S/T | 0.84 | 0.74 | 0.60 | 0.45 | 1.00 | 0.74 | 0.61 | 0.46 | 1.00 | 0.77 | 0.63 | 0.48 | 1.00 | 0.79 | 0.65 | 0.50 | 1.00 | 0.81 | 0.67 | 0.53 | 1.00 | 1.00 | 0.75 | 0.60 | |
| | ΔT | 22 | 18 | 15 | 12 | 19 | 18 | 15 | 12 | 19 | 18 | 15 | 12 | 19 | 18 | 15 | 12 | 19 | 17 | 15 | 12 | 23 | 22 | 18 | 14 | |
| | kW | 2.40 | 2.74 | 2.73 | 2.76 | 3.08 | 3.08 | 3.07 | 3.10 | 3.46 | 3.46 | 3.45 | 3.48 | 3.87 | 3.87 | 3.86 | 3.89 | 4.33 | 4.33 | 4.32 | 4.35 | 4.81 | 4.81 | 4.80 | 3.95 | |
| | Amps | 8.5 | 9.5 | 9.5 | 9.6 | 11.0 | 11.0 | 11.0 | 11.1 | 12.7 | 12.7 | 12.6 | 12.8 | 14.5 | 14.5 | 14.4 | 14.5 | 16.5 | 16.5 | 16.4 | 16.5 | 18.6 | 18.6 | 18.5 | 15.3 | |
| Hi PR | 280 | 282 | 284 | 289 | 325 | 326 | 328 | 333 | 371 | 372 | 374 | 379 | 421 | 422 | 424 | 429 | 474 | 475 | 477 | 482 | 535 | 536 | 538 | 532 | | |
| Lo PR | 125 | 127 | 130 | 136 | 133 | 135 | 138 | 143 | 140 | 141 | 145 | 150 | 145 | 147 | 150 | 155 | 151 | 152 | 156 | 161 | 155 | 157 | 160 | 168 | | |
| 1450 | MBh | 35.3 | 35.8 | 36.8 | - | 35.0 | 35.5 | 36.5 | - | 34.1 | 34.6 | 35.6 | - | 32.6 | 33.0 | 34.1 | - | 30.7 | 31.2 | 32.2 | - | 28.6 | 29.1 | 30.1 | - | |
| | S/T | 0.72 | 0.65 | 0.51 | - | 0.73 | 0.65 | 0.51 | - | 0.76 | 0.68 | 0.54 | - | 1.00 | 0.70 | 0.56 | - | 1.00 | 0.72 | 0.58 | - | 1.00 | 0.79 | 0.65 | - | |
| | ΔT | 15 | 13 | 10 | - | 15 | 13 | 10 | - | 15 | 14 | 11 | - | 15 | 13 | 10 | - | 15 | 13 | 10 | - | 18 | 17 | 13 | - | |
| | kW | 2.76 | 2.76 | 2.75 | - | 3.10 | 3.10 | 3.09 | - | 3.48 | 3.47 | 3.47 | - | 3.89 | 3.89 | 3.88 | - | 4.35 | 4.34 | 4.34 | - | 4.83 | 4.83 | 4.82 | - | |
| | Amps | 9.6 | 9.6 | 9.6 | - | 11.1 | 11.1 | 11.1 | - | 12.8 | 12.8 | 12.7 | - | 14.6 | 14.5 | 14.5 | - | 16.6 | 16.5 | 16.5 | - | 18.7 | 18.6 | 18.6 | - | |
| | Hi PR | 284 | 285 | 287 | - | 328 | 329 | 331 | - | 374 | 375 | 377 | - | 423 | 425 | 427 | - | 477 | 478 | 480 | - | 537 | 539 | 541 | - | |
| | Lo PR | 128 | 130 | 133 | - | 136 | 137 | 140 | - | 142 | 144 | 147 | - | 148 | 149 | 153 | - | 153 | 155 | 158 | - | 158 | 159 | 162 | - | |
| | MBh | 30.2 | 32.2 | 35.6 | 37.2 | 33.8 | 34.3 | 35.3 | 36.9 | 32.9 | 33.4 | 34.4 | 36.0 | 31.4 | 31.9 | 32.9 | 34.5 | 29.5 | 30.0 | 31.0 | 32.6 | 27.5 | 28.0 | 29.0 | 27.3 | |
| | S/T | 0.77 | 0.68 | 0.52 | 0.37 | 0.74 | 0.67 | 0.53 | 0.38 | 1.00 | 0.77 | 0.63 | 0.48 | 1.00 | 0.71 | 0.57 | 0.43 | 1.00 | 0.74 | 0.60 | 0.45 | 1.00 | 1.00 | 0.67 | 0.52 | |
| | ΔT | 23 | 22 | 16 | 13 | 20 | 19 | 16 | 13 | 21 | 19 | 16 | 13 | 20 | 19 | 16 | 13 | 20 | 19 | 16 | 13 | 25 | 23 | 20 | 16 | |
| | kW | 2.20 | 2.38 | 2.71 | 2.73 | 3.06 | 3.05 | 3.05 | 3.07 | 3.44 | 3.43 | 3.43 | 3.45 | 3.85 | 3.84 | 3.84 | 3.86 | 4.31 | 4.30 | 4.30 | 4.32 | 4.79 | 4.79 | 4.78 | 3.93 | |
| | Amps | 7.7 | 8.4 | 9.4 | 9.4 | 10.9 | 10.9 | 10.9 | 11.0 | 12.6 | 12.6 | 12.6 | 12.7 | 14.4 | 14.4 | 14.3 | 14.5 | 16.4 | 16.4 | 16.3 | 16.4 | 18.5 | 18.5 | 18.4 | 15.2 | |
| Hi PR | 275 | 278 | 281 | 286 | 322 | 324 | 325 | 330 | 368 | 370 | 372 | 376 | 418 | 419 | 421 | 426 | 471 | 473 | 475 | 479 | 532 | 533 | 535 | 530 | | |
| Lo PR | 124 | 124 | 128 | 134 | 131 | 133 | 136 | 141 | 138 | 139 | 142 | 148 | 143 | 145 | 148 | 153 | 149 | 150 | 153 | 159 | 153 | 155 | 158 | 166 | | |
| MBh | 32.3 | 35.1 | 36.2 | 37.7 | 34.3 | 34.8 | 35.9 | 37.4 | 33.5 | 33.9 | 35.0 | 36.5 | 31.9 | 32.4 | 33.4 | 35.0 | 30.0 | 30.5 | 31.5 | 33.1 | 28.0 | 28.5 | 29.5 | 27.8 | | |
| S/T | 0.84 | 0.74 | 0.60 | 0.45 | 1.00 | 0.74 | 0.61 | 0.46 | 1.00 | 0.77 | 0.63 | 0.48 | 1.00 | 0.79 | 0.65 | 0.50 | 1.00 | 0.81 | 0.67 | 0.53 | 1.00 | 1.00 | 0.75 | 0.60 | | |
| ΔT | 22 | 18 | 15 | 12 | 19 | 18 | 15 | 12 | 19 | 18 | 15 | 12 | 19 | 18 | 15 | 12 | 19 | 17 | 15 | 12 | 23 | 22 | 18 | 14 | | |
| kW | 2.40 | 2.74 | 2.73 | 2.76 | 3.08 | 3.08 | 3.07 | 3.10 | 3.46 | 3.46 | 3.45 | 3.48 | 3.87 | 3.87 | 3.86 | 3.89 | 4.33 | 4.33 | 4.32 | 4.35 | 4.81 | 4.81 | 4.80 | 3.95 | | |
| Amps | 8.5 | 9.5 | 9.5 | 9.6 | 11.0 | 11.0 | 11.0 | 11.1 | 12.7 | 12.7 | 12.6 | 12.8 | 14.5 | 14.5 | 14.4 | 14.5 | 16.5 | 16.5 | 16.4 | 16.5 | 18.6 | 18.6 | 18.5 | 15.3 | | |
| Hi PR | 280 | 282 | 284 | 289 | 325 | 326 | 328 | 333 | 371 | 372 | 374 | 379 | 421 | 422 | 424 | 429 | 474 | 475 | 477 | 482 | 535 | 536 | 538 | 532 | | |
| Lo PR | 125 | 127 | 130 | 136 | 133 | 135 | 138 | 143 | 140 | 141 | 145 | 150 | 145 | 147 | 150 | 155 | 151 | 152 | 156 | 161 | 155 | 157 | 160 | 168 | | |

IDB = Entering Indoor Dry Bulb Temperature
High and low pressures are measured at the liquid and suction service valves.
Shaded area is ACCA (TVA) conditions.
kW = Total system power
Amps = outdoor unit amps (comp.+fan)

EXPANDED COOLING DATA — ASZS603610A* / AHVE36CP1400A* (CONT.)

| IDB | AIRFLOW | OUTDOOR AMBIENT TEMPERATURE | | | | | | | | | | | | ENTERING INDOOR WET BULB TEMPERATURE | | | | | | | | | | | | | |
|-----------|-----------|-----------------------------|------|------|------|------|------|------|------|------|------|------|------|--------------------------------------|------|------|------|-------|------|------|------|-------|------|------|------|------|------|
| | | 65°F | | | | 75°F | | | | 85°F | | | | 95°F | | | | 105°F | | | | 115°F | | | | | |
| | | 59 | 63 | 67 | 71 | 59 | 63 | 67 | 71 | 59 | 63 | 67 | 71 | 59 | 63 | 67 | 71 | 59 | 63 | 67 | 71 | 59 | 63 | 67 | 71 | | |
| 80 | 1070 | MBh | 30.4 | 32.4 | 35.8 | 37.4 | 34.0 | 34.5 | 35.5 | 37.1 | 33.1 | 33.6 | 34.6 | 36.2 | 31.6 | 32.0 | 33.1 | 34.6 | 29.7 | 30.2 | 31.2 | 32.8 | 27.7 | 28.1 | 29.1 | 27.5 | |
| | | S/T | 1.00 | 0.81 | 0.65 | 0.50 | 1.00 | 0.80 | 0.66 | 0.51 | 1.00 | 0.82 | 0.68 | 0.54 | 1.00 | 1.00 | 0.70 | 0.56 | 1.00 | 1.00 | 0.72 | 0.58 | 1.00 | 1.00 | 0.80 | 0.66 | |
| | | ΔT | 27 | 26 | 19 | 16 | 24 | 22 | 19 | 16 | 24 | 22 | 20 | 17 | 24 | 22 | 19 | 16 | 24 | 22 | 19 | 16 | 29 | 27 | 24 | 20 | |
| | 1260 | kW | 2.21 | 2.38 | 2.71 | 2.74 | 3.06 | 3.06 | 3.05 | 3.08 | 3.44 | 3.44 | 3.43 | 3.46 | 3.85 | 3.85 | 3.84 | 3.87 | 4.31 | 4.31 | 4.30 | 4.33 | 4.79 | 4.79 | 4.78 | 3.93 | |
| | | Amps | 7.7 | 8.4 | 9.4 | 9.5 | 10.9 | 10.9 | 10.9 | 11.0 | 12.6 | 12.6 | 12.6 | 12.7 | 14.4 | 14.4 | 14.3 | 14.5 | 16.4 | 16.4 | 16.3 | 16.5 | 18.5 | 18.5 | 18.5 | 15.2 | |
| | | Hi/PR | 275 | 279 | 282 | 287 | 323 | 324 | 326 | 331 | 369 | 370 | 372 | 377 | 418 | 420 | 422 | 426 | 472 | 473 | 475 | 480 | 533 | 534 | 536 | 530 | |
| | 1450 | Lo/PR | 124 | 125 | 129 | 134 | 132 | 133 | 136 | 142 | 138 | 140 | 143 | 148 | 144 | 145 | 149 | 154 | 149 | 151 | 154 | 159 | 154 | 155 | 158 | 167 | |
| | | MBh | 32.4 | 35.3 | 36.3 | 37.9 | 34.5 | 35.0 | 36.0 | 37.6 | 33.6 | 34.1 | 35.1 | 36.7 | 32.1 | 32.6 | 33.6 | 35.2 | 30.2 | 30.7 | 31.7 | 33.3 | 28.2 | 28.6 | 29.7 | 27.9 | |
| | | S/T | 1.00 | 0.87 | 0.73 | 0.58 | 1.00 | 0.87 | 0.73 | 0.59 | 1.00 | 0.90 | 0.76 | 0.61 | 1.00 | 1.00 | 0.78 | 0.63 | 1.00 | 1.00 | 0.80 | 0.66 | 1.00 | 1.00 | 0.88 | 0.74 | |
| | 85 | 1070 | ΔT | 26 | 21 | 18 | 15 | 23 | 21 | 18 | 15 | 23 | 21 | 18 | 15 | 23 | 21 | 18 | 15 | 22 | 21 | 18 | 15 | 27 | 26 | 22 | 18 |
| | | | kW | 2.40 | 2.74 | 2.73 | 2.76 | 3.08 | 3.08 | 3.07 | 3.10 | 3.46 | 3.46 | 3.45 | 3.48 | 3.87 | 3.87 | 3.86 | 3.89 | 4.33 | 4.33 | 4.32 | 4.35 | 4.81 | 4.81 | 4.81 | 3.95 |
| | | | Amps | 8.5 | 9.6 | 9.5 | 9.6 | 11.0 | 11.0 | 11.0 | 11.1 | 12.7 | 12.7 | 12.7 | 12.8 | 14.5 | 14.5 | 14.5 | 14.6 | 16.5 | 16.5 | 16.4 | 16.6 | 18.6 | 18.6 | 18.5 | 15.3 |
| 1260 | | Hi/PR | 280 | 283 | 285 | 290 | 326 | 327 | 329 | 334 | 372 | 373 | 375 | 380 | 421 | 423 | 425 | 429 | 475 | 476 | 478 | 483 | 535 | 537 | 539 | 533 | |
| | | Lo/PR | 125 | 128 | 131 | 136 | 134 | 135 | 139 | 144 | 140 | 142 | 145 | 150 | 146 | 148 | 151 | 156 | 152 | 153 | 156 | 161 | 156 | 157 | 160 | 169 | |
| | | MBh | 35.5 | 36.0 | 37.0 | 38.6 | 35.2 | 35.7 | 36.7 | 38.3 | 34.3 | 34.8 | 35.8 | 37.4 | 32.8 | 33.2 | 34.3 | 35.8 | 30.9 | 31.4 | 32.4 | 33.9 | 28.8 | 29.3 | 30.3 | 28.5 | |
| 1450 | | S/T | 1.00 | 0.91 | 0.77 | 0.62 | 1.00 | 0.91 | 0.77 | 0.63 | 1.00 | 0.94 | 0.80 | 0.65 | 1.00 | 1.00 | 0.82 | 0.67 | 1.00 | 1.00 | 0.84 | 0.70 | 1.00 | 1.00 | 0.92 | 0.78 | |
| | | ΔT | 22 | 20 | 17 | 14 | 22 | 20 | 17 | 14 | 22 | 20 | 17 | 14 | 22 | 20 | 17 | 14 | 22 | 20 | 17 | 14 | 26 | 25 | 21 | 17 | |
| | | kW | 2.76 | 2.75 | 2.75 | 2.77 | 3.10 | 3.09 | 3.09 | 3.12 | 3.48 | 3.47 | 3.47 | 3.49 | 3.89 | 3.89 | 3.88 | 3.91 | 4.35 | 4.34 | 4.34 | 4.36 | 4.83 | 4.83 | 4.82 | 3.97 | |
| 1450 | | Amps | 9.6 | 9.6 | 9.6 | 9.7 | 11.1 | 11.1 | 11.1 | 11.2 | 12.8 | 12.8 | 12.7 | 12.8 | 14.6 | 14.5 | 14.5 | 14.6 | 16.6 | 16.5 | 16.5 | 16.6 | 18.7 | 18.6 | 18.6 | 15.4 | |
| | | Hi/PR | 284 | 286 | 288 | 293 | 328 | 330 | 332 | 336 | 375 | 376 | 378 | 383 | 424 | 425 | 427 | 432 | 478 | 479 | 481 | 486 | 538 | 539 | 541 | 536 | |
| | | Lo/PR | 129 | 130 | 133 | 139 | 136 | 138 | 141 | 146 | 143 | 144 | 148 | 153 | 148 | 150 | 153 | 158 | 154 | 156 | 159 | 164 | 158 | 160 | 163 | 171 | |
| 85 | 1070 | MBh | 30.9 | 32.9 | 36.4 | 37.9 | 34.6 | 35.1 | 36.1 | 37.6 | 33.7 | 34.2 | 35.2 | 36.7 | 32.1 | 32.6 | 33.6 | 35.2 | 30.3 | 30.7 | 31.8 | 33.3 | 28.2 | 28.7 | 29.7 | 28.0 | |
| | | S/T | 1.00 | 0.91 | 0.75 | 0.61 | 1.00 | 0.90 | 0.76 | 0.61 | 1.00 | 1.00 | 0.79 | 0.64 | 1.00 | 1.00 | 0.81 | 0.66 | 1.00 | 1.00 | 0.83 | 0.68 | 1.00 | 1.00 | 1.00 | 0.77 | |
| | | ΔT | 31 | 30 | 22 | 19 | 27 | 25 | 22 | 19 | 27 | 26 | 23 | 20 | 27 | 25 | 22 | 19 | 27 | 25 | 22 | 19 | 32 | 31 | 27 | 23 | |
| | 1260 | kW | 2.21 | 2.39 | 2.72 | 2.74 | 3.06 | 3.06 | 3.06 | 3.08 | 3.44 | 3.44 | 3.44 | 3.46 | 3.86 | 3.85 | 3.85 | 3.87 | 4.31 | 4.31 | 4.31 | 4.33 | 4.80 | 4.80 | 4.79 | 3.94 | |
| | | Amps | 7.7 | 8.4 | 9.5 | 9.6 | 11.0 | 11.0 | 10.9 | 11.1 | 12.6 | 12.6 | 12.6 | 12.7 | 14.4 | 14.4 | 14.4 | 14.5 | 16.4 | 16.4 | 16.4 | 16.5 | 18.5 | 18.5 | 18.5 | 15.3 | |
| | | Hi/PR | 277 | 280 | 283 | 288 | 324 | 325 | 327 | 332 | 370 | 371 | 373 | 378 | 420 | 421 | 423 | 428 | 473 | 474 | 476 | 481 | 534 | 535 | 537 | 531 | |
| | 1450 | Lo/PR | 126 | 127 | 131 | 136 | 134 | 135 | 138 | 143 | 140 | 142 | 145 | 150 | 146 | 147 | 150 | 156 | 151 | 153 | 156 | 161 | 156 | 157 | 160 | 168 | |
| | | MBh | 33.0 | 35.9 | 36.9 | 38.5 | 35.1 | 35.6 | 36.6 | 38.2 | 34.2 | 34.7 | 35.7 | 37.3 | 32.7 | 33.2 | 34.2 | 35.7 | 30.8 | 31.3 | 32.3 | 33.9 | 28.7 | 29.2 | 30.2 | 28.5 | |
| | | S/T | 1.00 | 0.97 | 0.83 | 0.69 | 1.00 | 1.00 | 0.84 | 0.69 | 1.00 | 1.00 | 0.86 | 0.72 | 1.00 | 1.00 | 0.88 | 0.74 | 1.00 | 1.00 | 0.91 | 0.76 | 1.00 | 1.00 | 1.00 | 0.84 | |
| | 1450 | ΔT | 30 | 24 | 21 | 18 | 26 | 24 | 21 | 18 | 26 | 24 | 21 | 18 | 26 | 24 | 21 | 18 | 26 | 24 | 21 | 18 | 31 | 29 | 26 | 22 | |
| | | kW | 2.41 | 2.74 | 2.74 | 2.76 | 3.09 | 3.08 | 3.08 | 3.10 | 3.47 | 3.46 | 3.46 | 3.48 | 3.88 | 3.87 | 3.87 | 3.89 | 4.34 | 4.33 | 4.33 | 4.35 | 4.82 | 4.82 | 4.81 | 3.96 | |
| | | Amps | 8.5 | 9.6 | 9.6 | 9.7 | 11.1 | 11.1 | 11.0 | 11.1 | 12.7 | 12.7 | 12.7 | 12.8 | 14.5 | 14.5 | 14.5 | 14.6 | 16.5 | 16.5 | 16.5 | 16.6 | 18.6 | 18.6 | 18.6 | 15.3 | |
| 1450 | Hi/PR | 282 | 284 | 286 | 291 | 327 | 328 | 330 | 335 | 373 | 374 | 376 | 381 | 423 | 424 | 426 | 431 | 476 | 477 | 479 | 484 | 537 | 538 | 540 | 534 | | |
| | Lo/PR | 127 | 130 | 133 | 138 | 136 | 137 | 140 | 146 | 142 | 144 | 147 | 152 | 148 | 149 | 153 | 158 | 153 | 155 | 158 | 163 | 158 | 159 | 162 | 171 | | |
| | MBh | 36.1 | 36.6 | 37.6 | 39.1 | 35.8 | 36.2 | 37.3 | 38.8 | 34.9 | 35.4 | 36.4 | 37.9 | 33.3 | 33.8 | 34.8 | 36.4 | 31.5 | 31.9 | 33.0 | 34.5 | 29.4 | 29.9 | 30.9 | 29.0 | | |
| 1450 | S/T | 1.00 | 1.00 | 0.87 | 0.72 | 1.00 | 1.00 | 0.88 | 0.73 | 1.00 | 1.00 | 0.90 | 0.76 | 1.00 | 1.00 | 0.92 | 0.78 | 1.00 | 1.00 | 1.00 | 0.80 | 1.00 | 1.00 | 1.00 | 0.88 | | |
| | ΔT | 25 | 23 | 20 | 17 | 25 | 23 | 20 | 17 | 25 | 23 | 21 | 18 | 25 | 23 | 20 | 17 | 25 | 23 | 20 | 17 | 30 | 28 | 25 | 21 | | |
| | kW | 2.76 | 2.76 | 2.76 | 2.78 | 3.10 | 3.10 | 3.10 | 3.12 | 3.48 | 3.48 | 3.48 | 3.50 | 3.89 | 3.89 | 3.89 | 3.91 | 4.35 | 4.35 | 4.35 | 4.37 | 4.84 | 4.84 | 4.83 | 3.97 | | |
| 1450 | Amps | 9.7 | 9.7 | 9.6 | 9.7 | 11.1 | 11.1 | 11.1 | 11.2 | 12.8 | 12.8 | 12.8 | 12.9 | 14.6 | 14.6 | 14.5 | 14.7 | 16.6 | 16.6 | 16.5 | 16.7 | 18.7 | 18.7 | 18.6 | 15.4 | | |
| | Hi/PR | 286 | 287 | 289 | 294 | 330 | 331 | 333 | 338 | 376 | 377 | 379 | 384 | 425 | 427 | 429 | 433 | 479 | 480 | 482 | 487 | 539 | 541 | 543 | 537 | | |
| | Lo/PR | 131 | 132 | 135 | 141 | 138 | 140 | 143 | 148 | 145 | 146 | 149 | 155 | 150 | 152 | 155 | 160 | 156 | 157 | 161 | 166 | 160 | 161 | 165 | 173 | | |

IDB = Entering Indoor Dry Bulb Temperature
 High and low pressures are measured at the liquid and suction service valves.
 Shaded areas is AHRI conditions.
 kW = Total system power
 Amps = outdoor unit amps (comp.+fan)

EXPANDED COOLING DATA — ASZS604210A* / AHVE48DP1400A*

| IDB | AIRFLOW | OUTDOOR AMBIENT TEMPERATURE | | | | | | | | | | | | ENTERING INDOOR WET BULB TEMPERATURE | | | | | | | | | | | | ENTERING INDOOR DRY BULB TEMPERATURE | | | | | | | | | | | |
|-------|---------|-----------------------------|------|------|------|------|------|------|------|------|------|------|------|--------------------------------------|------|------|------|-------|------|------|------|-------|------|------|------|--------------------------------------|--|--|--|--|--|--|--|--|--|--|--|
| | | 65°F | | | | 75°F | | | | 85°F | | | | 95°F | | | | 105°F | | | | 115°F | | | | | | | | | | | | | | | |
| | | 59 | 63 | 67 | 71 | 59 | 63 | 67 | 71 | 59 | 63 | 67 | 71 | 59 | 63 | 67 | 71 | 59 | 63 | 67 | 71 | 59 | 63 | 67 | 71 | | | | | | | | | | | | |
| 70 | MBh | 30.7 | 38.1 | 40.9 | - | 39.7 | 40.3 | 41.5 | - | 38.7 | 39.2 | 40.4 | - | 36.9 | 37.4 | 38.6 | - | 34.7 | 35.2 | 36.4 | - | 30.6 | 31.1 | 32.3 | - | | | | | | | | | | | | |
| | S/T | 0.60 | 0.50 | 0.37 | - | 0.59 | 0.51 | 0.38 | - | 0.61 | 0.54 | 0.40 | - | 0.63 | 0.56 | 0.42 | - | 0.65 | 0.58 | 0.44 | - | 1.00 | 0.62 | 0.49 | - | | | | | | | | | | | | |
| | ΔT | 20 | 19 | 15 | - | 19 | 18 | 14 | - | 20 | 18 | 14 | - | 19 | 18 | 14 | - | 19 | 17 | 14 | - | 22 | 20 | 16 | - | | | | | | | | | | | | |
| | kW | 2.17 | 2.85 | 3.05 | - | 3.62 | 3.61 | 3.61 | - | 4.10 | 4.10 | 4.09 | - | 4.63 | 4.63 | 4.62 | - | 5.22 | 5.22 | 5.21 | - | 5.26 | 5.25 | 5.25 | - | | | | | | | | | | | | |
| | Amps | 8.2 | 11.0 | 11.7 | - | 14.3 | 14.2 | 14.2 | - | 16.4 | 16.4 | 16.3 | - | 18.7 | 18.7 | 18.6 | - | 21.2 | 21.2 | 21.2 | - | 21.4 | 21.4 | 21.4 | - | | | | | | | | | | | | |
| | Hi PR | 252 | 264 | 269 | - | 311 | 312 | 314 | - | 355 | 356 | 358 | - | 403 | 404 | 406 | - | 455 | 456 | 458 | - | 500 | 501 | 503 | - | | | | | | | | | | | | |
| | Lo PR | 119 | 116 | 118 | - | 124 | 125 | 128 | - | 130 | 131 | 134 | - | 135 | 136 | 139 | - | 140 | 142 | 145 | - | 144 | 146 | 149 | - | | | | | | | | | | | | |
| | MBh | 33.8 | 40.3 | 42.5 | - | 40.4 | 40.9 | 42.1 | - | 39.3 | 39.9 | 41.1 | - | 37.5 | 38.1 | 39.3 | - | 35.3 | 35.9 | 37.1 | - | 31.2 | 31.7 | 32.8 | - | | | | | | | | | | | | |
| | S/T | 0.67 | 0.57 | 0.45 | - | 0.66 | 0.59 | 0.45 | - | 0.69 | 0.61 | 0.48 | - | 0.71 | 0.63 | 0.50 | - | 0.73 | 0.65 | 0.52 | - | 1.00 | 0.70 | 0.56 | - | | | | | | | | | | | | |
| | ΔT | 19 | 18 | 13 | - | 18 | 16 | 13 | - | 18 | 16 | 13 | - | 18 | 16 | 13 | - | 18 | 16 | 13 | - | 20 | 18 | 15 | - | | | | | | | | | | | | |
| | kW | 2.42 | 3.08 | 3.20 | - | 3.64 | 3.64 | 3.63 | - | 4.13 | 4.13 | 4.12 | - | 4.66 | 4.65 | 4.65 | - | 5.25 | 5.24 | 5.24 | - | 5.28 | 5.28 | 5.27 | - | | | | | | | | | | | | |
| | Amps | 9.2 | 11.9 | 12.4 | - | 14.4 | 14.4 | 14.3 | - | 16.5 | 16.5 | 16.4 | - | 18.8 | 18.8 | 18.7 | - | 21.3 | 21.3 | 21.3 | - | 21.5 | 21.5 | 21.5 | - | | | | | | | | | | | | |
| Hi PR | 259 | 270 | 274 | - | 314 | 315 | 317 | - | 358 | 359 | 361 | - | 406 | 407 | 409 | - | 457 | 459 | 460 | - | 503 | 504 | 506 | - | | | | | | | | | | | | | |
| Lo PR | 119 | 117 | 123 | - | 126 | 127 | 130 | - | 132 | 133 | 136 | - | 137 | 139 | 141 | - | 142 | 144 | 147 | - | 146 | 148 | 151 | - | | | | | | | | | | | | | |
| MBh | 38.8 | 41.1 | 43.3 | - | 41.1 | 41.7 | 42.9 | - | 40.1 | 40.7 | 41.9 | - | 38.3 | 38.9 | 40.1 | - | 36.1 | 36.6 | 37.8 | - | 31.9 | 32.4 | 33.5 | - | | | | | | | | | | | | | |
| S/T | 0.69 | 0.61 | 0.49 | - | 0.70 | 0.63 | 0.49 | - | 0.73 | 0.65 | 0.52 | - | 0.75 | 0.67 | 0.54 | - | 1.00 | 0.69 | 0.56 | - | 1.00 | 0.73 | 0.60 | - | | | | | | | | | | | | | |
| ΔT | 18 | 17 | 12 | - | 17 | 15 | 12 | - | 17 | 15 | 12 | - | 17 | 15 | 12 | - | 17 | 15 | 12 | - | 19 | 17 | 14 | - | | | | | | | | | | | | | |
| kW | 2.90 | 3.10 | 3.22 | - | 3.67 | 3.66 | 3.66 | - | 4.15 | 4.15 | 4.14 | - | 4.68 | 4.68 | 4.67 | - | 5.27 | 5.27 | 5.26 | - | 5.30 | 5.30 | 5.29 | - | | | | | | | | | | | | | |
| Amps | 11.2 | 12.0 | 12.5 | - | 14.5 | 14.5 | 14.4 | - | 16.6 | 16.6 | 16.5 | - | 18.9 | 18.9 | 18.8 | - | 21.4 | 21.4 | 21.4 | - | 21.6 | 21.6 | 21.6 | - | | | | | | | | | | | | | |
| Hi PR | 268 | 272 | 277 | - | 316 | 317 | 319 | - | 361 | 362 | 364 | - | 408 | 410 | 412 | - | 460 | 461 | 463 | - | 505 | 506 | 508 | - | | | | | | | | | | | | | |
| Lo PR | 119 | 119 | 125 | - | 128 | 129 | 132 | - | 134 | 136 | 139 | - | 139 | 141 | 144 | - | 145 | 146 | 149 | - | 148 | 150 | 153 | - | | | | | | | | | | | | | |
| 75 | MBh | 30.7 | 38.1 | 40.9 | 43.7 | 39.7 | 40.3 | 41.5 | 43.4 | 38.7 | 39.3 | 40.5 | 42.3 | 36.9 | 37.5 | 38.7 | 40.5 | 34.7 | 35.3 | 36.5 | 38.3 | 30.6 | 31.2 | 32.3 | 32.4 | | | | | | | | | | | | |
| | S/T | 0.73 | 0.63 | 0.50 | 0.36 | 0.72 | 0.64 | 0.51 | 0.37 | 0.74 | 0.67 | 0.53 | 0.39 | 1.00 | 0.68 | 0.55 | 0.41 | 1.00 | 0.71 | 0.57 | 0.43 | 1.00 | 0.75 | 0.62 | 0.48 | | | | | | | | | | | | |
| | ΔT | 24 | 23 | 20 | 15 | 23 | 21 | 18 | 15 | 23 | 22 | 18 | 15 | 23 | 21 | 18 | 15 | 23 | 21 | 18 | 14 | 26 | 24 | 20 | 17 | | | | | | | | | | | | |
| | kW | 2.16 | 2.85 | 3.04 | 3.20 | 3.61 | 3.61 | 3.60 | 3.64 | 4.10 | 4.10 | 4.09 | 4.12 | 4.63 | 4.62 | 4.62 | 4.65 | 5.22 | 5.21 | 5.21 | 5.24 | 5.25 | 5.25 | 5.24 | 4.89 | | | | | | | | | | | | |
| | Amps | 8.2 | 11.0 | 11.7 | 12.4 | 14.2 | 14.2 | 14.2 | 14.3 | 16.4 | 16.3 | 16.3 | 16.5 | 18.7 | 18.6 | 18.6 | 18.8 | 21.2 | 21.2 | 21.2 | 21.3 | 21.4 | 21.4 | 21.4 | 19.9 | | | | | | | | | | | | |
| | Hi PR | 253 | 265 | 269 | 276 | 311 | 312 | 314 | 319 | 355 | 357 | 358 | 363 | 403 | 404 | 406 | 411 | 455 | 456 | 458 | 463 | 500 | 501 | 503 | 502 | | | | | | | | | | | | |
| | Lo PR | 119 | 116 | 118 | 126 | 124 | 125 | 128 | 133 | 130 | 131 | 134 | 139 | 135 | 136 | 139 | 144 | 140 | 142 | 145 | 150 | 144 | 146 | 149 | 155 | | | | | | | | | | | | |
| | MBh | 33.9 | 40.4 | 42.5 | 44.3 | 40.4 | 40.9 | 42.1 | 44.0 | 39.3 | 39.9 | 41.1 | 42.9 | 37.5 | 38.1 | 39.3 | 41.1 | 35.3 | 35.9 | 37.1 | 38.9 | 31.2 | 31.7 | 32.8 | 33.0 | | | | | | | | | | | | |
| | S/T | 0.80 | 0.70 | 0.58 | 0.44 | 0.79 | 0.72 | 0.58 | 0.44 | 0.82 | 0.74 | 0.61 | 0.47 | 1.00 | 0.76 | 0.63 | 0.49 | 1.00 | 0.78 | 0.65 | 0.51 | 1.00 | 0.82 | 0.69 | 0.56 | | | | | | | | | | | | |
| | ΔT | 23 | 22 | 17 | 13 | 22 | 20 | 17 | 13 | 22 | 20 | 17 | 14 | 22 | 20 | 17 | 13 | 22 | 20 | 17 | 13 | 25 | 23 | 19 | 15 | | | | | | | | | | | | |
| | kW | 2.42 | 3.08 | 3.19 | 3.23 | 3.64 | 3.64 | 3.63 | 3.66 | 4.13 | 4.13 | 4.12 | 4.15 | 4.66 | 4.65 | 4.64 | 4.68 | 5.24 | 5.24 | 5.23 | 5.27 | 5.28 | 5.27 | 5.27 | 4.91 | | | | | | | | | | | | |
| | Amps | 9.2 | 11.9 | 12.4 | 12.6 | 14.4 | 14.4 | 14.3 | 14.5 | 16.5 | 16.5 | 16.4 | 16.6 | 18.8 | 18.7 | 18.9 | 18.9 | 21.3 | 21.3 | 21.3 | 21.4 | 21.5 | 21.5 | 21.5 | 20.0 | | | | | | | | | | | | |
| Hi PR | 259 | 270 | 274 | 279 | 314 | 315 | 317 | 321 | 358 | 359 | 361 | 366 | 406 | 407 | 409 | 414 | 458 | 459 | 461 | 465 | 503 | 504 | 506 | 505 | | | | | | | | | | | | | |
| Lo PR | 119 | 117 | 123 | 128 | 126 | 127 | 130 | 135 | 132 | 133 | 136 | 141 | 137 | 139 | 142 | 146 | 142 | 144 | 147 | 152 | 146 | 148 | 151 | 157 | | | | | | | | | | | | | |
| MBh | 38.9 | 41.1 | 43.3 | 45.1 | 41.2 | 41.7 | 42.9 | 44.8 | 40.1 | 40.7 | 41.9 | 43.7 | 38.3 | 38.9 | 40.1 | 41.9 | 36.1 | 36.7 | 37.9 | 39.7 | 31.9 | 32.4 | 33.6 | 33.7 | | | | | | | | | | | | | |
| S/T | 0.81 | 0.74 | 0.61 | 0.47 | 0.83 | 0.75 | 0.62 | 0.48 | 1.00 | 0.78 | 0.64 | 0.50 | 1.00 | 0.80 | 0.66 | 0.52 | 1.00 | 0.82 | 0.69 | 0.54 | 1.00 | 0.86 | 0.73 | 0.60 | | | | | | | | | | | | | |
| ΔT | 23 | 21 | 16 | 12 | 21 | 19 | 16 | 12 | 21 | 19 | 16 | 13 | 21 | 19 | 16 | 12 | 21 | 19 | 15 | 12 | 23 | 21 | 18 | 14 | | | | | | | | | | | | | |
| kW | 2.90 | 3.10 | 3.22 | 3.25 | 3.66 | 3.66 | 3.65 | 3.69 | 4.15 | 4.15 | 4.14 | 4.17 | 4.68 | 4.67 | 4.67 | 4.70 | 5.27 | 5.26 | 5.26 | 5.29 | 5.30 | 5.29 | 5.29 | 4.93 | | | | | | | | | | | | | |
| Amps | 11.2 | 12.0 | 12.5 | 12.7 | 14.5 | 14.5 | 14.4 | 14.6 | 16.6 | 16.6 | 16.5 | 16.7 | 18.9 | 18.9 | 18.8 | 19.0 | 21.4 | 21.4 | 21.4 | 21.5 | 21.6 | 21.6 | 21.6 | 20.0 | | | | | | | | | | | | | |
| Hi PR | 269 | 273 | 277 | 282 | 316 | 318 | 319 | 324 | 361 | 362 | 364 | 369 | 409 | 410 | 412 | 416 | 460 | 461 | 463 | 468 | 505 | 506 | 508 | 508 | | | | | | | | | | | | | |
| Lo PR | 119 | 119 | 125 | 130 | 128 | 129 | 132 | 137 | 134 | 136 | 139 | 144 | 139 | 141 | 144 | 149 | 145 | 146 | 149 | 154 | 149 | 150 | 153 | 159 | | | | | | | | | | | | | |

IDB = Entering Indoor Dry Bulb Temperature
 High and low pressures are measured at the liquid and suction service valves.
 Shaded area is ACCA (TVA) conditions
 kW = Total system power
 Amps = outdoor unit amps (comp.+fan)

EXPANDED COOLING DATA — ASZS604210A* / AHVE48DP1400A* (CONT.)

| IDB | AIRFLOW | OUTDOOR AMBIENT TEMPERATURE | | | | | | | | | | | | ENTERING INDOOR WET BULB TEMPERATURE | | | | | | | | | | | | | |
|-------------|-------------|-----------------------------|------|------|------|------|------|------|------|------|------|------|------|--------------------------------------|------|------|------|-------|------|------|------|-------|------|------|------|------|------|
| | | 65°F | | | | 75°F | | | | 85°F | | | | 95°F | | | | 105°F | | | | 115°F | | | | | |
| | | 59 | 63 | 67 | 71 | 59 | 63 | 67 | 71 | 59 | 63 | 67 | 71 | 59 | 63 | 67 | 71 | 59 | 63 | 67 | 71 | 59 | 63 | 67 | 71 | | |
| 80 | 1120 | MBh | 30.9 | 38.3 | 41.1 | 43.9 | 40.0 | 40.5 | 41.7 | 43.6 | 38.9 | 39.5 | 40.7 | 42.5 | 37.1 | 37.7 | 38.9 | 40.7 | 34.9 | 35.5 | 36.7 | 38.5 | 30.8 | 31.3 | 32.5 | 32.6 | |
| | | S/T | 0.86 | 0.75 | 0.62 | 0.48 | 1.00 | 0.76 | 0.63 | 0.49 | 1.00 | 0.79 | 0.66 | 0.51 | 1.00 | 0.81 | 0.67 | 0.53 | 1.00 | 0.83 | 0.70 | 0.56 | 1.00 | 1.00 | 0.74 | 0.60 | |
| | | ΔT | 28 | 27 | 24 | 19 | 27 | 25 | 22 | 19 | 27 | 26 | 22 | 19 | 27 | 25 | 22 | 19 | 27 | 25 | 22 | 18 | 30 | 28 | 25 | 21 | |
| | 1320 | kW | 2.17 | 2.85 | 3.05 | 3.20 | 3.62 | 3.61 | 3.61 | 3.64 | 4.10 | 4.10 | 4.09 | 4.13 | 4.63 | 4.63 | 4.62 | 4.65 | 5.22 | 5.22 | 5.21 | 5.24 | 5.26 | 5.25 | 5.25 | 4.89 | |
| | | Amps | 8.2 | 11.0 | 11.7 | 12.5 | 14.3 | 14.2 | 14.2 | 14.4 | 16.4 | 16.4 | 16.3 | 16.5 | 18.7 | 18.6 | 18.6 | 18.8 | 21.2 | 21.2 | 21.2 | 21.3 | 21.4 | 21.4 | 21.4 | 19.9 | |
| | | Hi/PR | 253 | 265 | 270 | 277 | 311 | 313 | 313 | 319 | 356 | 357 | 359 | 364 | 404 | 405 | 407 | 411 | 455 | 456 | 458 | 463 | 501 | 502 | 504 | 503 | |
| | 1520 | Lo/PR | 120 | 117 | 119 | 126 | 124 | 126 | 128 | 133 | 130 | 132 | 132 | 139 | 136 | 137 | 140 | 145 | 141 | 142 | 145 | 150 | 145 | 146 | 149 | 156 | |
| | | MBh | 34.0 | 40.6 | 42.7 | 44.5 | 40.6 | 41.2 | 42.4 | 44.2 | 39.5 | 40.1 | 41.3 | 43.1 | 37.7 | 38.3 | 39.5 | 41.3 | 35.5 | 36.1 | 37.3 | 39.1 | 31.4 | 31.9 | 33.0 | 33.2 | |
| | | S/T | 0.92 | 0.82 | 0.70 | 0.56 | 1.00 | 0.84 | 0.71 | 0.57 | 1.00 | 0.86 | 0.73 | 0.59 | 1.00 | 0.88 | 0.75 | 0.61 | 1.00 | 0.91 | 0.77 | 0.63 | 1.00 | 1.00 | 0.81 | 0.68 | |
| | 85 | 1120 | ΔT | 27 | 26 | 21 | 17 | 26 | 24 | 21 | 17 | 26 | 24 | 21 | 18 | 26 | 24 | 21 | 17 | 26 | 24 | 20 | 17 | 29 | 27 | 23 | 19 |
| | | | kW | 2.42 | 3.08 | 3.20 | 3.23 | 3.64 | 3.64 | 3.63 | 3.67 | 4.13 | 4.13 | 4.12 | 4.15 | 4.66 | 4.65 | 4.65 | 4.68 | 5.25 | 5.24 | 5.24 | 5.27 | 5.28 | 5.28 | 5.27 | 4.91 |
| | | | Amps | 9.2 | 11.9 | 12.4 | 12.6 | 14.4 | 14.4 | 14.4 | 14.5 | 16.5 | 16.5 | 16.4 | 16.6 | 18.8 | 18.8 | 18.7 | 18.9 | 21.3 | 21.3 | 21.3 | 21.4 | 21.5 | 21.5 | 21.5 | 20.0 |
| 1320 | Hi/PR | 260 | 271 | 275 | 280 | 314 | 315 | 317 | 322 | 359 | 360 | 362 | 366 | 407 | 408 | 410 | 414 | 458 | 459 | 461 | 466 | 503 | 504 | 506 | 506 | | |
| | Lo/PR | 120 | 118 | 123 | 128 | 126 | 128 | 131 | 136 | 132 | 134 | 137 | 142 | 138 | 139 | 142 | 147 | 143 | 144 | 147 | 152 | 147 | 148 | 151 | 158 | | |
| | MBh | 39.1 | 41.3 | 43.5 | 45.3 | 41.4 | 41.9 | 43.1 | 45.0 | 40.3 | 40.9 | 42.1 | 43.9 | 38.5 | 39.1 | 40.3 | 42.1 | 36.3 | 36.9 | 38.1 | 39.9 | 32.1 | 32.6 | 33.7 | 33.9 | | |
| 1520 | S/T | 0.93 | 0.86 | 0.74 | 0.60 | 1.00 | 0.88 | 0.74 | 0.60 | 1.00 | 0.90 | 0.77 | 0.63 | 1.00 | 0.92 | 0.79 | 0.65 | 1.00 | 1.00 | 0.81 | 0.67 | 1.00 | 1.00 | 0.85 | 0.72 | | |
| | ΔT | 27 | 25 | 20 | 16 | 25 | 23 | 20 | 16 | 25 | 23 | 20 | 16 | 25 | 23 | 20 | 16 | 24 | 23 | 19 | 16 | 28 | 26 | 22 | 18 | | |
| | kW | 2.90 | 3.10 | 3.22 | 3.25 | 3.67 | 3.66 | 3.66 | 3.69 | 4.15 | 4.15 | 4.14 | 4.18 | 4.68 | 4.68 | 4.67 | 4.70 | 5.27 | 5.27 | 5.26 | 5.29 | 5.30 | 5.30 | 5.29 | 4.93 | | |
| 85 | 1120 | Amps | 11.2 | 12.0 | 12.5 | 12.7 | 14.5 | 14.5 | 14.4 | 14.6 | 16.6 | 16.6 | 16.5 | 16.7 | 18.9 | 18.9 | 18.8 | 19.0 | 21.4 | 21.4 | 21.4 | 21.5 | 21.6 | 21.6 | 21.6 | 20.1 | |
| | | Hi/PR | 269 | 273 | 278 | 282 | 317 | 318 | 320 | 325 | 361 | 363 | 364 | 369 | 409 | 410 | 412 | 417 | 461 | 462 | 464 | 469 | 506 | 507 | 509 | 508 | |
| | | Lo/PR | 121 | 118 | 120 | 128 | 126 | 127 | 130 | 135 | 132 | 133 | 136 | 141 | 137 | 139 | 142 | 147 | 142 | 144 | 147 | 152 | 147 | 148 | 151 | 157 | |
| 1320 | MBh | 34.6 | 41.2 | 43.4 | 45.2 | 41.3 | 41.8 | 43.0 | 44.9 | 40.2 | 40.8 | 42.0 | 43.8 | 38.4 | 39.0 | 40.2 | 42.0 | 36.2 | 36.8 | 38.0 | 39.8 | 32.0 | 32.6 | 33.7 | 33.8 | | |
| | S/T | 1.00 | 0.92 | 0.80 | 0.66 | 1.00 | 0.94 | 0.81 | 0.67 | 1.00 | 1.00 | 0.83 | 0.69 | 1.00 | 1.00 | 0.85 | 0.71 | 1.00 | 1.00 | 0.87 | 0.73 | 1.00 | 1.00 | 0.91 | 0.78 | | |
| | ΔT | 31 | 30 | 24 | 21 | 29 | 27 | 24 | 21 | 29 | 28 | 24 | 21 | 29 | 27 | 24 | 21 | 29 | 27 | 24 | 20 | 32 | 31 | 27 | 23 | | |
| 1520 | kW | 2.43 | 3.09 | 3.21 | 3.24 | 3.65 | 3.65 | 3.64 | 3.67 | 4.14 | 4.14 | 4.13 | 4.16 | 4.67 | 4.66 | 4.66 | 4.69 | 5.25 | 5.25 | 5.24 | 5.28 | 5.29 | 5.28 | 5.28 | 4.92 | | |
| | Amps | 9.3 | 11.9 | 12.5 | 12.6 | 14.4 | 14.4 | 14.4 | 14.5 | 16.5 | 16.5 | 16.5 | 16.6 | 18.8 | 18.8 | 18.8 | 18.9 | 21.4 | 21.4 | 21.3 | 21.5 | 21.5 | 21.5 | 21.5 | 20.0 | | |
| | Hi/PR | 261 | 272 | 276 | 281 | 316 | 317 | 319 | 323 | 360 | 361 | 363 | 368 | 408 | 409 | 411 | 416 | 459 | 461 | 462 | 467 | 504 | 506 | 507 | 507 | | |
| 85 | 1120 | Lo/PR | 122 | 119 | 125 | 130 | 128 | 129 | 132 | 137 | 134 | 136 | 139 | 144 | 139 | 141 | 144 | 149 | 145 | 146 | 149 | 154 | 149 | 150 | 153 | 159 | |
| | | MBh | 39.7 | 42.0 | 44.2 | 46.0 | 42.0 | 42.6 | 43.8 | 45.6 | 41.0 | 41.6 | 42.8 | 44.6 | 39.2 | 39.8 | 41.0 | 42.8 | 37.0 | 37.6 | 38.8 | 40.6 | 32.7 | 33.3 | 34.4 | 34.5 | |
| | | S/T | 1.00 | 0.96 | 0.84 | 0.70 | 1.00 | 0.98 | 0.84 | 0.70 | 1.00 | 1.00 | 0.87 | 0.73 | 1.00 | 1.00 | 0.89 | 0.75 | 1.00 | 1.00 | 0.91 | 0.77 | 1.00 | 1.00 | 0.95 | 0.82 | |
| 1320 | ΔT | 30 | 29 | 23 | 20 | 28 | 26 | 23 | 20 | 28 | 27 | 23 | 20 | 28 | 26 | 23 | 20 | 28 | 26 | 23 | 19 | 31 | 29 | 26 | 22 | | |
| | kW | 2.91 | 3.11 | 3.23 | 3.26 | 3.68 | 3.67 | 3.66 | 3.70 | 4.16 | 4.16 | 4.15 | 4.18 | 4.69 | 4.69 | 4.68 | 4.71 | 5.28 | 5.27 | 5.27 | 5.30 | 5.31 | 5.30 | 5.30 | 4.94 | | |
| | Amps | 11.2 | 12.0 | 12.6 | 12.7 | 14.5 | 14.5 | 14.5 | 14.6 | 16.6 | 16.6 | 16.6 | 16.7 | 18.9 | 18.9 | 18.9 | 19.0 | 21.5 | 21.5 | 21.4 | 21.6 | 21.6 | 21.6 | 21.6 | 20.1 | | |
| 1520 | Hi/PR | 270 | 274 | 279 | 284 | 318 | 319 | 321 | 326 | 363 | 364 | 366 | 370 | 410 | 412 | 414 | 418 | 462 | 463 | 465 | 470 | 507 | 508 | 510 | 509 | | |
| | Lo/PR | 121 | 122 | 128 | 133 | 130 | 132 | 135 | 140 | 136 | 138 | 141 | 146 | 142 | 143 | 146 | 151 | 147 | 148 | 151 | 156 | 151 | 152 | 155 | 162 | | |
| | MBh | 34.6 | 41.2 | 43.4 | 45.2 | 41.3 | 41.8 | 43.0 | 44.9 | 40.2 | 40.8 | 42.0 | 43.8 | 38.4 | 39.0 | 40.2 | 42.0 | 36.2 | 36.8 | 38.0 | 39.8 | 32.0 | 32.6 | 33.7 | 33.8 | | |

IDB = Entering Indoor Dry Bulb Temperature
 High and low pressures are measured at the liquid and suction service valves.
 Shaded area is AHRI conditions.
 kW = Total system power
 Amps = outdoor unit amps (comp.+fan)

EXPANDED COOLING DATA — ASZS604810A* / AHVE48DP1400A*

| IDB | AIRFLOW | OUTDOOR AMBIENT TEMPERATURE | | | | | | | | | | | | ENTERING INDOOR WET BULB TEMPERATURE | | | | | | | | | | | | 85°F | | | | | | | | | | | | 95°F | | | | | | | | | | | | 105°F | | | | | | | | | | | | 115°F | | | | | | | | | | | |
|-------|---------|-----------------------------|------|------|------|------|------|------|------|------|------|------|------|--------------------------------------|------|------|------|-------|------|------|------|-------|------|------|------|-------|------|------|------|-------|------|------|------|-------|------|------|----|-------|------|------|----|------|------|------|---|------|------|------|---|-------|--|--|--|--|--|--|--|--|--|--|--|-------|--|--|--|--|--|--|--|--|--|--|--|
| | | 65°F | | | | 75°F | | | | 85°F | | | | 95°F | | | | 105°F | | | | 115°F | | | | 125°F | | | | 135°F | | | | 145°F | | | | 155°F | | | | | | | | | | | | | | | | | | | | | | | | | | | | | | | | | | | |
| | | 59 | 63 | 67 | 71 | 59 | 63 | 67 | 71 | 59 | 63 | 67 | 71 | 59 | 63 | 67 | 71 | 59 | 63 | 67 | 71 | 59 | 63 | 67 | 71 | 59 | 63 | 67 | 71 | 59 | 63 | 67 | 71 | 59 | 63 | 67 | 71 | 59 | 63 | 67 | 71 | | | | | | | | | | | | | | | | | | | | | | | | | | | | | | | | |
| 70 | MBh | 34.6 | 39.5 | 46.0 | - | 45.3 | 45.9 | 47.3 | - | 44.1 | 44.7 | 46.1 | - | 42.0 | 42.6 | 44.0 | - | 39.5 | 40.1 | 41.5 | - | 31.7 | 32.3 | 33.4 | - | 39.5 | 40.1 | 41.5 | - | 31.7 | 32.3 | 33.4 | - | 39.5 | 40.1 | 41.5 | - | 31.7 | 32.3 | 33.4 | - | 39.5 | 40.1 | 41.5 | - | 31.7 | 32.3 | 33.4 | - | | | | | | | | | | | | | | | | | | | | | | | | |
| | S/T | 0.58 | 0.50 | 0.36 | - | 0.57 | 0.50 | 0.37 | - | 0.60 | 0.52 | 0.39 | - | 0.62 | 0.54 | 0.41 | - | 0.64 | 0.56 | 0.43 | - | 0.69 | 0.62 | 0.49 | - | 0.64 | 0.56 | 0.43 | - | 0.69 | 0.62 | 0.49 | - | 0.64 | 0.56 | 0.43 | - | 0.69 | 0.62 | 0.49 | - | 0.64 | 0.56 | 0.43 | - | | | | | | | | | | | | | | | | | | | | | | | | | | | | |
| | ΔT | 21 | 19 | 16 | - | 20 | 18 | 14 | - | 20 | 18 | 15 | - | 20 | 18 | 14 | - | 19 | 18 | 14 | - | 22 | 20 | 17 | - | 19 | 18 | 14 | - | 22 | 20 | 17 | - | 19 | 18 | 14 | - | 22 | 20 | 17 | - | 19 | 18 | 14 | - | | | | | | | | | | | | | | | | | | | | | | | | | | | | |
| | kW | 2.44 | 2.89 | 3.53 | - | 4.36 | 4.36 | 4.35 | - | 4.96 | 4.95 | 4.95 | - | 5.60 | 5.60 | 5.59 | - | 6.33 | 6.32 | 6.31 | - | 5.34 | 5.34 | 5.33 | - | 6.33 | 6.32 | 6.31 | - | 5.34 | 5.34 | 5.33 | - | 6.33 | 6.32 | 6.31 | - | 5.34 | 5.34 | 5.33 | - | 6.33 | 6.32 | 6.31 | - | | | | | | | | | | | | | | | | | | | | | | | | | | | | |
| | Amps | 9.3 | 11.2 | 13.8 | - | 17.3 | 17.3 | 17.2 | - | 19.9 | 19.9 | 19.8 | - | 22.7 | 22.7 | 22.6 | - | 25.8 | 25.8 | 25.8 | - | 21.8 | 21.8 | 21.8 | - | 25.8 | 25.8 | 25.8 | - | 21.8 | 21.8 | 21.8 | - | 25.8 | 25.8 | 25.8 | - | 21.8 | 21.8 | 21.8 | - | 25.8 | 25.8 | 25.8 | - | | | | | | | | | | | | | | | | | | | | | | | | | | | | |
| | Hi PR | 259 | 267 | 277 | - | 323 | 324 | 326 | - | 369 | 370 | 372 | - | 419 | 420 | 422 | - | 472 | 474 | 476 | - | 504 | 505 | 507 | - | 472 | 474 | 476 | - | 504 | 505 | 507 | - | 472 | 474 | 476 | - | 504 | 505 | 507 | - | 472 | 474 | 476 | - | | | | | | | | | | | | | | | | | | | | | | | | | | | | |
| | Lo PR | 116 | 115 | 114 | - | 120 | 122 | 124 | - | 126 | 128 | 130 | - | 131 | 133 | 136 | - | 136 | 138 | 141 | - | 143 | 144 | 147 | - | 136 | 138 | 141 | - | 143 | 144 | 147 | - | 136 | 138 | 141 | - | 143 | 144 | 147 | - | 136 | 138 | 141 | - | | | | | | | | | | | | | | | | | | | | | | | | | | | | |
| | MBh | 41.2 | 45.3 | 48.4 | - | 46.0 | 46.6 | 48.0 | - | 44.8 | 45.4 | 46.8 | - | 42.7 | 43.4 | 44.7 | - | 40.2 | 40.9 | 42.2 | - | 32.3 | 32.9 | 34.0 | - | 40.2 | 40.9 | 42.2 | - | 32.3 | 32.9 | 34.0 | - | 40.2 | 40.9 | 42.2 | - | 32.3 | 32.9 | 34.0 | - | | | | | | | | | | | | | | | | | | | | | | | | | | | | | | | | |
| | S/T | 0.63 | 0.56 | 0.44 | - | 0.65 | 0.57 | 0.44 | - | 0.67 | 0.60 | 0.47 | - | 0.69 | 0.62 | 0.49 | - | 0.71 | 0.64 | 0.51 | - | 1.00 | 0.69 | 0.56 | - | 0.71 | 0.64 | 0.51 | - | 1.00 | 0.69 | 0.56 | - | 0.71 | 0.64 | 0.51 | - | | | | | | | | | | | | | | | | | | | | | | | | | | | | | | | | | | | | |
| | ΔT | 20 | 18 | 13 | - | 18 | 16 | 13 | - | 19 | 17 | 13 | - | 18 | 16 | 13 | - | 18 | 16 | 13 | - | 21 | 19 | 15 | - | 18 | 16 | 13 | - | 21 | 19 | 15 | - | 18 | 16 | 13 | - | 21 | 19 | 15 | - | | | | | | | | | | | | | | | | | | | | | | | | | | | | | | | | |
| | kW | 3.12 | 3.57 | 3.85 | - | 4.40 | 4.39 | 4.38 | - | 4.99 | 4.99 | 4.98 | - | 5.64 | 5.63 | 5.63 | - | 6.36 | 6.36 | 6.35 | - | 5.37 | 5.36 | 5.36 | - | 6.36 | 6.36 | 6.35 | - | 5.37 | 5.36 | 5.36 | - | 6.36 | 6.36 | 6.35 | - | | | | | | | | | | | | | | | | | | | | | | | | | | | | | | | | | | | | |
| | Amps | 12.1 | 14.0 | 15.1 | - | 17.4 | 17.4 | 17.4 | - | 20.0 | 20.0 | 20.0 | - | 22.8 | 22.8 | 22.8 | - | 26.0 | 26.0 | 25.9 | - | 21.9 | 21.9 | 21.9 | - | 26.0 | 26.0 | 25.9 | - | 21.9 | 21.9 | 21.9 | - | 26.0 | 26.0 | 25.9 | - | | | | | | | | | | | | | | | | | | | | | | | | | | | | | | | | | | | | |
| Hi PR | 271 | 278 | 285 | - | 326 | 327 | 329 | - | 372 | 373 | 375 | - | 422 | 423 | 425 | - | 475 | 477 | 479 | - | 507 | 508 | 510 | - | 475 | 477 | 479 | - | 507 | 508 | 510 | - | 475 | 477 | 479 | - | | | | | | | | | | | | | | | | | | | | | | | | | | | | | | | | | | | | | |
| Lo PR | 114 | 113 | 120 | - | 122 | 124 | 126 | - | 128 | 130 | 133 | - | 133 | 135 | 138 | - | 138 | 140 | 143 | - | 145 | 146 | 149 | - | 138 | 140 | 143 | - | 145 | 146 | 149 | - | 138 | 140 | 143 | - | | | | | | | | | | | | | | | | | | | | | | | | | | | | | | | | | | | | | |
| MBh | 43.6 | 46.2 | 49.3 | - | 46.9 | 47.5 | 48.9 | - | 45.7 | 46.3 | 47.7 | - | 43.6 | 44.3 | 45.6 | - | 41.1 | 41.8 | 43.1 | - | 33.1 | 33.6 | 34.8 | - | 41.1 | 41.8 | 43.1 | - | 33.1 | 33.6 | 34.8 | - | | | | | | | | | | | | | | | | | | | | | | | | | | | | | | | | | | | | | | | | | |
| S/T | 0.67 | 0.60 | 0.47 | - | 0.68 | 0.61 | 0.48 | - | 0.71 | 0.63 | 0.50 | - | 0.73 | 0.65 | 0.52 | - | 0.75 | 0.67 | 0.54 | - | 1.00 | 0.72 | 0.59 | - | 0.75 | 0.67 | 0.54 | - | 1.00 | 0.72 | 0.59 | - | | | | | | | | | | | | | | | | | | | | | | | | | | | | | | | | | | | | | | | | | |
| ΔT | 19 | 17 | 12 | - | 17 | 15 | 12 | - | 17 | 16 | 12 | - | 17 | 15 | 12 | - | 17 | 15 | 12 | - | 20 | 18 | 14 | - | 17 | 15 | 12 | - | 20 | 18 | 14 | - | | | | | | | | | | | | | | | | | | | | | | | | | | | | | | | | | | | | | | | | | |
| kW | 3.35 | 3.60 | 3.88 | - | 4.42 | 4.42 | 4.41 | - | 5.02 | 5.02 | 5.01 | - | 5.67 | 5.66 | 5.65 | - | 6.39 | 6.38 | 6.38 | - | 5.39 | 5.38 | 5.38 | - | 6.39 | 6.38 | 6.38 | - | 5.39 | 5.38 | 5.38 | - | | | | | | | | | | | | | | | | | | | | | | | | | | | | | | | | | | | | | | | | | |
| Amps | 13.1 | 14.1 | 15.2 | - | 17.6 | 17.5 | 17.5 | - | 20.2 | 20.1 | 20.1 | - | 23.0 | 22.9 | 22.9 | - | 26.1 | 26.1 | 26.0 | - | 22.0 | 22.0 | 22.0 | - | 26.1 | 26.1 | 26.0 | - | 22.0 | 22.0 | 22.0 | - | | | | | | | | | | | | | | | | | | | | | | | | | | | | | | | | | | | | | | | | | |
| Hi PR | 276 | 280 | 288 | - | 329 | 330 | 332 | - | 375 | 376 | 378 | - | 425 | 426 | 428 | - | 478 | 479 | 481 | - | 509 | 510 | 512 | - | 478 | 479 | 481 | - | 509 | 510 | 512 | - | | | | | | | | | | | | | | | | | | | | | | | | | | | | | | | | | | | | | | | | | |
| Lo PR | 115 | 116 | 122 | - | 124 | 126 | 129 | - | 131 | 132 | 135 | - | 136 | 137 | 140 | - | 141 | 142 | 145 | - | 147 | 148 | 151 | - | 141 | 142 | 145 | - | 147 | 148 | 151 | - | | | | | | | | | | | | | | | | | | | | | | | | | | | | | | | | | | | | | | | | | |
| 75 | MBh | 34.6 | 39.5 | 46.0 | 49.8 | 45.3 | 45.9 | 47.3 | 49.4 | 44.1 | 44.7 | 46.1 | 48.2 | 42.0 | 42.7 | 44.0 | 46.1 | 39.5 | 40.2 | 41.5 | 40.2 | 31.8 | 32.3 | 33.5 | 33.7 | 39.5 | 40.2 | 41.5 | 40.2 | 31.8 | 32.3 | 33.5 | 33.7 | | | | | | | | | | | | | | | | | | | | | | | | | | | | | | | | | | | | | | | | |
| | S/T | 0.71 | 0.62 | 0.48 | 0.35 | 0.70 | 0.62 | 0.49 | 0.36 | 0.72 | 0.65 | 0.52 | 0.38 | 0.74 | 0.67 | 0.54 | 0.40 | 1.00 | 0.69 | 0.56 | 0.41 | 1.00 | 0.74 | 0.61 | 0.47 | 1.00 | 0.69 | 0.56 | 0.41 | 1.00 | 0.74 | 0.61 | 0.47 | | | | | | | | | | | | | | | | | | | | | | | | | | | | | | | | | | | | | | | | |
| | ΔT | 25 | 24 | 21 | 15 | 24 | 22 | 18 | 15 | 24 | 22 | 19 | 15 | 24 | 22 | 18 | 15 | 23 | 22 | 18 | 16 | 27 | 25 | 21 | 17 | 23 | 22 | 18 | 16 | 27 | 25 | 21 | 17 | | | | | | | | | | | | | | | | | | | | | | | | | | | | | | | | | | | | | | | | |
| | kW | 2.44 | 2.89 | 3.53 | 3.85 | 4.36 | 4.35 | 4.34 | 4.39 | 4.96 | 4.95 | 4.94 | 4.98 | 5.60 | 5.60 | 5.59 | 5.63 | 6.32 | 6.32 | 6.31 | 5.44 | 5.34 | 5.34 | 5.33 | 4.97 | 6.32 | 6.32 | 6.31 | 5.44 | 5.34 | 5.34 | 5.33 | 4.97 | | | | | | | | | | | | | | | | | | | | | | | | | | | | | | | | | | | | | | | | |
| | Amps | 9.3 | 11.2 | 13.8 | 15.1 | 17.3 | 17.3 | 17.2 | 17.4 | 19.9 | 19.9 | 19.8 | 20.0 | 22.7 | 22.7 | 22.6 | 22.8 | 25.8 | 25.8 | 25.8 | 22.2 | 21.8 | 21.8 | 21.8 | 20.3 | 25.8 | 25.8 | 25.8 | 22.2 | 21.8 | 21.8 | 21.8 | 20.3 | | | | | | | | | | | | | | | | | | | | | | | | | | | | | | | | | | | | | | | | |
| | Hi PR | 259 | 267 | 277 | 287 | 323 | 324 | 326 | 331 | 369 | 371 | 373 | 377 | 419 | 420 | 422 | 427 | 473 | 474 | 476 | 466 | 504 | 505 | 507 | 507 | 473 | 474 | 476 | 466 | 504 | 505 | 507 | 507 | | | | | | | | | | | | | | | | | | | | | | | | | | | | | | | | | | | | | | | | |
| | Lo PR | 116 | 115 | 114 | 122 | 120 | 122 | 124 | 129 | 126 | 128 | 131 | 135 | 131 | 133 | 136 | 140 | 136 | 138 | 141 | 143 | 143 | 144 | 147 | 153 | 136 | 138 | 141 | 143 | 143 | 144 | 147 | 153 | | | | | | | | | | | | | | | | | | | | | | | | | | | | | | | | | | | | | | | | |
| | MBh | 41.2 | 45.4 | 48.4 | 50.5 | 46.0 | 46.6 | 48.0 | 50.1 | 44.8 | 45.5 | 46.8 | 48.9 | 42.7 | 43.4 | 44.8 | 46.9 | 40.2 | 40.9 | 42.2 | 40.9 | 32.3 | 32.9 | 34.1 | 34.2 | 40.2 | 40.9 | 42.2 | 40.9 | 32.3 | 32.9 | 34.1 | 34.2 | | | | | | | | | | | | | | | | | | | | | | | | | | | | | | | | | | | | | | | | |
| | S/T | 0.75 | 0.68 | 0.56 | 0.42 | 0.77 | 0.70 | 0.57 | 0.43 | 0.79 | 0.72 | 0.59 | 0.45 | 1.00 | 0.74 | 0.61 | 0.47 | 1.00 | 0.76 | 0.63 | 0.49 | 1.00 | 0.81 | 0.68 | 0.54 | 1.00 | 0.76 | 0.63 | 0.49 | 1.00 | 0.81 | 0.68 | 0.54 | | | | | | | | | | | | | | | | | | | | | | | | | | | | | | | | | | | | | | | | |
| | ΔT | 24 | 23 | 17 | 14 | 22 | 20 | 17 | 14 | 22 | 21 | 17 | 14 | 22 | 20 | 17 | 14 | 22 | 20 | 17 | 15 | 25 | 23 | 20 | 16 | 22 | 20 | 17 | 15 | 25 | 23 | 20 | 16 | | | | | | | | | | | | | | | | | | | | | | | | | | | | | | | | | | | | | | | | |
| | kW | 3.11 | 3.57 | 3.84 | 3.89 | 4.39 | 4.39 | 4.38 | 4.42 | 4.99 | 4.99 | 4.98 | 5.02 | 5.64 | 5.63 | 5.62 | 5.66 | 6.36 | 6.35 | 6.34 | 5.47 | 5.36 | 5.36 | 5.35 | 5.00 | 6.36 | 6.35 | 6.34 | 5.47 | 5.36 | 5.36 | 5.35 | 5.00 | | | | | | | | | | | | | | | | | | | | | | | | | | | | | | | | | | | | | | | | |
| | Amps | 12.1 | 14.0 | 15.0 | 15.2 | 17.4 | 17.4 | 17.4 | 17.5 | 20.0 | 20.0 | 20.0 | 20.1 | 22.8 | 22.8 | 22.8 | 22.9 | 26.0 | 25.9 | 25.9 | 22.3 | 21.9 | 21.9 | 21.9 | 20.4 | 26.0 | 25.9 | 25.9 | 22.3 | 21.9 | 21.9 | 21.9 | 20.4 | | | | | | | | | | | | | | | | | | | | | | | | | | | | | | | | | | | | | | | | |
| Hi PR | 271 | 278 | 285 | 290 | 326 | 327 | 329 | 334 | 372 | 373 | 375 | 380 | 422 | 423 | 425 | 430 | 476 | 477 | 479 | 469 | 507 | 508 | 510 | 509 | 476 | 477 | 479 | 469 | 507 | 508 | 510 | 509 | | | | | | | | | | | | | | | | | | | | | | | | | | | | | | | | | | | | | | | | | |
| Lo PR | 114 | 113 | 120 | 124 | 122 | 124 | 126 | 131 | 128 | 130 | 133 | 137 | 133 | 135 | 138 | 142 | 138 | 140 | 143 | 145 | 145 | 146 | 149 | 155 | 138 | 140 | 143 | 145 | 145 | 146 | 149 | 155 | | | | | | | | | | | | | | | | | | | | | | | | | | | | | | | | | | | | | | | | | |
| MBh | 43.6 | 46.2 | 49.3 | 51.4 | 46.9 | 47.5 | 48.9 | 51.0 | 45.7 | 46.3 | 47.7 | 49.8 | 43.6 | 44.3 | 45.7 | 47.7 | 41.1 | 41.8 | 43.1 | 41.7 | 33.1 | 33.6 | 34.8 | 35.0 | 41.1 | 41.8 | 43.1 | 41.7 | 33.1 | 33.6 | 34.8 | 35.0 | | | | | | | | | | | | | | | | | | | | | | | | | | | | | | | | | | | | | | | | | |
| S/T | 0.79 | 0.72 | 0.60 | 0.46 | 0.81 | 0.73 | 0.60 | 0.47 | 0.83 | 0.76 | 0.63 | 0.49 | 1.00 | 0.78 | 0.65 | 0.51 | 1.00 | 0.80 | 0.67 | 0.52 | 1.00 | 0.85 | 0.72 | 0.58 | 1.00 | 0.80 | 0.67 | 0.52 | 1.00 | 0.85 | 0.72 | 0.58 | | | | | | | | | | | | | | | | | | | | | | | | | | | | | | | | | | | | | | | | | |
| ΔT | 23 | 22 | 16 | 13 | 21 | 19 | 16 | 13 | 21 | 20 | 16 | 13 | 21 | 19 | 16 | 12 | 21 | 19 | 16 | 14 | 24 | 22 | 18 | 14 | 21 | 19 | 16 | 14 | 24 | 22 | 18 | 14 | | | | | | | | | | | | | | | | | | | | | | | | | | | | | | | | | | | | | | | | | |
| kW | 3.34 | 3.60 | 3.87 | 3.91 | 4.42 | 4.42 | 4.41 | 4.45 | 5.02 | 5.01 | 5.00 | 5.05 | 5.66 | 5.66 | 5.65 | 5.69 | 6.38 | 6.38 | 6.37 | 5.49 | 5.38 | | | | | | | | | | | | | | | | | | | | | | | | | | | | | | | | | | | | | | | | | | | | | | | | | | | | |

EXPANDED COOLING DATA — ASZS604810A* / AHVE48DP1400A* (CONT.)

| IDB | AIRFLOW | OUTDOOR AMBIENT TEMPERATURE | | | | | | | | | | | | ENTERING INDOOR WET BULB TEMPERATURE | | | | | | | | | | | | |
|-------|---------|-----------------------------|------|------|------|------|------|------|------|------|------|------|------|--------------------------------------|------|------|------|-------|------|------|------|-------|------|------|------|------|
| | | 65°F | | | | 75°F | | | | 85°F | | | | 95°F | | | | 105°F | | | | 115°F | | | | |
| | | 59 | 63 | 67 | 71 | 59 | 63 | 67 | 71 | 59 | 63 | 67 | 71 | 59 | 63 | 67 | 71 | 59 | 63 | 67 | 71 | 59 | 63 | 67 | 71 | |
| 80 | MBh | 34.8 | 39.7 | 46.2 | 50.0 | 45.5 | 46.2 | 47.5 | 49.6 | 44.3 | 45.0 | 46.3 | 48.4 | 42.3 | 42.9 | 44.3 | 46.4 | 39.8 | 40.4 | 41.8 | 40.5 | 32.0 | 32.5 | 33.7 | 33.8 | |
| | S/T | 0.84 | 0.74 | 0.60 | 0.47 | 0.82 | 0.74 | 0.61 | 0.48 | 1.00 | 0.77 | 0.64 | 0.50 | 1.00 | 0.79 | 0.66 | 0.52 | 1.00 | 0.81 | 0.68 | 0.53 | 1.00 | 0.86 | 0.73 | 0.59 | |
| | ΔT | 29 | 28 | 25 | 19 | 28 | 26 | 22 | 19 | 28 | 26 | 23 | 19 | 28 | 26 | 22 | 19 | 27 | 26 | 22 | 21 | 31 | 29 | 25 | 21 | |
| | kW | 2.44 | 2.89 | 3.53 | 3.85 | 4.36 | 4.36 | 4.35 | 4.39 | 4.96 | 4.95 | 4.94 | 4.99 | 5.60 | 5.60 | 5.59 | 5.63 | 6.33 | 6.32 | 6.31 | 5.44 | 5.34 | 5.34 | 5.33 | 4.98 | |
| | Amps | 9.3 | 11.2 | 13.8 | 15.1 | 17.3 | 17.3 | 17.2 | 17.4 | 19.9 | 19.9 | 19.8 | 20.0 | 22.7 | 22.7 | 22.6 | 22.8 | 25.8 | 25.8 | 25.8 | 22.2 | 21.8 | 21.8 | 21.8 | 20.3 | |
| | Hi PR | 260 | 267 | 277 | 288 | 324 | 325 | 327 | 332 | 370 | 371 | 373 | 378 | 420 | 421 | 423 | 428 | 473 | 474 | 476 | 467 | 505 | 506 | 508 | 507 | |
| | Lo PR | 117 | 115 | 115 | 123 | 121 | 122 | 125 | 130 | 127 | 128 | 131 | 136 | 132 | 133 | 136 | 141 | 137 | 138 | 141 | 143 | 143 | 145 | 147 | 154 | |
| | MBh | 41.4 | 45.6 | 48.7 | 50.8 | 46.2 | 46.9 | 48.3 | 50.3 | 45.0 | 45.7 | 47.1 | 49.1 | 43.0 | 43.6 | 45.0 | 47.1 | 40.5 | 41.1 | 42.5 | 41.1 | 32.5 | 33.1 | 34.3 | 34.4 | |
| | S/T | 0.87 | 0.80 | 0.68 | 0.54 | 1.00 | 0.82 | 0.69 | 0.55 | 1.00 | 0.84 | 0.71 | 0.57 | 1.00 | 0.86 | 0.73 | 0.59 | 1.00 | 0.88 | 0.75 | 0.61 | 1.00 | 1.00 | 0.80 | 0.66 | |
| | ΔT | 29 | 27 | 21 | 18 | 26 | 24 | 21 | 18 | 26 | 25 | 21 | 18 | 26 | 24 | 21 | 18 | 26 | 24 | 21 | 19 | 30 | 28 | 24 | 20 | |
| kW | 3.12 | 3.57 | 3.85 | 3.89 | 4.40 | 4.39 | 4.38 | 4.42 | 4.99 | 4.99 | 4.98 | 5.02 | 5.64 | 5.63 | 5.62 | 5.67 | 6.36 | 6.36 | 6.35 | 5.47 | 5.37 | 5.36 | 5.36 | 5.00 | | |
| Amps | 12.1 | 14.0 | 15.1 | 15.2 | 17.4 | 17.4 | 17.4 | 17.6 | 20.0 | 20.0 | 20.0 | 20.2 | 22.8 | 22.8 | 22.8 | 23.0 | 26.0 | 26.0 | 25.9 | 22.3 | 21.9 | 21.9 | 21.9 | 20.4 | | |
| Hi PR | 271 | 278 | 286 | 291 | 327 | 328 | 330 | 335 | 373 | 374 | 376 | 381 | 423 | 424 | 426 | 431 | 476 | 477 | 479 | 470 | 507 | 509 | 510 | 510 | | |
| Lo PR | 115 | 114 | 120 | 125 | 123 | 124 | 127 | 132 | 129 | 130 | 133 | 138 | 134 | 135 | 138 | 143 | 139 | 140 | 143 | 145 | 145 | 146 | 149 | 156 | | |
| 1590 | MBh | 43.9 | 46.5 | 49.6 | 51.6 | 47.1 | 47.8 | 49.1 | 51.2 | 45.9 | 46.6 | 48.0 | 50.0 | 43.9 | 44.5 | 45.9 | 48.0 | 41.4 | 42.0 | 43.4 | 41.9 | 33.3 | 33.8 | 35.0 | 35.2 | |
| | S/T | 0.91 | 0.84 | 0.72 | 0.58 | 1.00 | 0.85 | 0.72 | 0.59 | 1.00 | 0.88 | 0.75 | 0.61 | 1.00 | 0.90 | 0.77 | 0.63 | 1.00 | 0.92 | 0.79 | 0.64 | 1.00 | 1.00 | 0.84 | 0.70 | |
| | ΔT | 28 | 26 | 20 | 17 | 25 | 23 | 20 | 16 | 25 | 24 | 20 | 17 | 25 | 23 | 20 | 16 | 25 | 23 | 20 | 18 | 28 | 26 | 23 | 19 | |
| | kW | 3.35 | 3.60 | 3.88 | 3.92 | 4.42 | 4.42 | 4.41 | 4.45 | 5.02 | 5.02 | 5.01 | 5.05 | 5.67 | 5.66 | 5.65 | 5.69 | 6.39 | 6.38 | 6.37 | 5.49 | 5.39 | 5.38 | 5.38 | 5.02 | |
| | Amps | 13.1 | 14.1 | 15.2 | 15.4 | 17.6 | 17.5 | 17.5 | 17.7 | 20.2 | 20.1 | 20.1 | 20.3 | 23.0 | 22.9 | 22.9 | 23.1 | 26.1 | 26.1 | 26.0 | 22.4 | 22.0 | 22.0 | 22.0 | 20.5 | |
| | Hi PR | 277 | 281 | 289 | 293 | 329 | 331 | 333 | 337 | 376 | 377 | 379 | 384 | 425 | 427 | 429 | 433 | 479 | 480 | 482 | 472 | 510 | 511 | 513 | 513 | |
| | Lo PR | 116 | 116 | 122 | 127 | 125 | 126 | 129 | 134 | 131 | 132 | 135 | 140 | 136 | 138 | 140 | 145 | 141 | 143 | 145 | 148 | 147 | 149 | 152 | 158 | |
| | 85 | MBh | 35.4 | 40.4 | 47.0 | 50.8 | 46.3 | 46.9 | 48.3 | 50.4 | 45.1 | 45.7 | 47.1 | 49.2 | 43.0 | 43.7 | 45.1 | 47.1 | 40.5 | 41.2 | 42.5 | 41.2 | 32.6 | 33.2 | 34.3 | 34.5 |
| | | S/T | 1.00 | 0.84 | 0.70 | 0.57 | 1.00 | 0.84 | 0.71 | 0.57 | 1.00 | 0.87 | 0.73 | 0.60 | 1.00 | 0.88 | 0.75 | 0.62 | 1.00 | 1.00 | 0.77 | 0.63 | 1.00 | 1.00 | 0.83 | 0.69 |
| | | ΔT | 33 | 32 | 29 | 23 | 31 | 29 | 26 | 22 | 31 | 30 | 26 | 23 | 31 | 29 | 26 | 22 | 31 | 29 | 26 | 25 | 35 | 33 | 29 | 25 |
| kW | | 2.45 | 2.90 | 3.54 | 3.86 | 4.37 | 4.37 | 4.36 | 4.40 | 4.97 | 4.96 | 4.95 | 5.00 | 5.61 | 5.61 | 5.60 | 5.64 | 6.34 | 6.33 | 6.32 | 5.45 | 5.35 | 5.35 | 5.34 | 4.98 | |
| Amps | | 9.4 | 11.2 | 13.9 | 15.1 | 17.3 | 17.3 | 17.3 | 17.5 | 19.9 | 19.9 | 19.9 | 20.0 | 22.7 | 22.7 | 22.7 | 22.9 | 25.9 | 25.9 | 25.8 | 22.2 | 21.9 | 21.9 | 21.8 | 20.3 | |
| Hi PR | | 261 | 268 | 279 | 289 | 325 | 326 | 328 | 333 | 371 | 372 | 374 | 379 | 421 | 422 | 424 | 429 | 475 | 476 | 478 | 468 | 506 | 507 | 509 | 508 | |
| Lo PR | | 118 | 117 | 116 | 125 | 122 | 124 | 127 | 132 | 128 | 130 | 133 | 138 | 134 | 135 | 138 | 143 | 139 | 140 | 143 | 145 | 145 | 146 | 149 | 156 | |
| MBh | | 42.1 | 46.3 | 49.4 | 51.5 | 47.0 | 47.7 | 49.0 | 51.1 | 45.8 | 46.5 | 47.8 | 49.9 | 43.8 | 44.4 | 45.8 | 47.9 | 41.2 | 41.9 | 43.3 | 41.8 | 33.2 | 33.8 | 34.9 | 35.0 | |
| S/T | | 1.00 | 0.90 | 0.78 | 0.64 | 1.00 | 0.92 | 0.78 | 0.65 | 1.00 | 0.94 | 0.81 | 0.67 | 1.00 | 1.00 | 0.83 | 0.69 | 1.00 | 1.00 | 0.85 | 0.70 | 1.00 | 1.00 | 0.90 | 0.76 | |
| ΔT | | 33 | 31 | 25 | 21 | 30 | 28 | 25 | 21 | 30 | 28 | 25 | 21 | 30 | 28 | 25 | 21 | 29 | 28 | 24 | 23 | 33 | 31 | 28 | 24 | |
| kW | 3.12 | 3.58 | 3.86 | 3.90 | 4.41 | 4.40 | 4.39 | 4.43 | 5.00 | 5.00 | 4.99 | 5.03 | 5.65 | 5.64 | 5.64 | 5.68 | 6.37 | 6.37 | 6.36 | 5.48 | 5.37 | 5.37 | 5.36 | 5.01 | | |
| Amps | 12.2 | 14.0 | 15.1 | 15.3 | 17.5 | 17.5 | 17.4 | 17.6 | 20.1 | 20.1 | 20.0 | 20.2 | 22.9 | 22.9 | 22.8 | 23.0 | 26.0 | 26.0 | 26.0 | 22.3 | 22.0 | 22.0 | 21.9 | 20.4 | | |
| Hi PR | 273 | 280 | 287 | 292 | 328 | 329 | 331 | 336 | 374 | 375 | 377 | 382 | 424 | 425 | 427 | 432 | 477 | 479 | 481 | 471 | 509 | 510 | 512 | 511 | | |
| Lo PR | 116 | 116 | 122 | 127 | 124 | 126 | 129 | 134 | 130 | 132 | 135 | 140 | 136 | 137 | 140 | 145 | 141 | 142 | 145 | 147 | 147 | 148 | 151 | 157 | | |
| 1590 | MBh | 44.6 | 47.2 | 50.3 | 52.4 | 47.9 | 48.6 | 49.9 | 52.0 | 46.7 | 47.4 | 48.7 | 50.8 | 44.7 | 45.3 | 46.7 | 48.8 | 42.1 | 42.8 | 44.2 | 42.6 | 33.9 | 34.5 | 35.7 | 35.8 | |
| | S/T | 1.00 | 0.93 | 0.82 | 0.68 | 1.00 | 0.95 | 0.82 | 0.68 | 1.00 | 0.98 | 0.85 | 0.71 | 1.00 | 1.00 | 0.86 | 0.73 | 1.00 | 1.00 | 0.89 | 0.74 | 1.00 | 1.00 | 0.93 | 0.80 | |
| | ΔT | 32 | 30 | 24 | 20 | 29 | 27 | 23 | 20 | 29 | 27 | 24 | 20 | 29 | 27 | 23 | 20 | 28 | 27 | 23 | 22 | 32 | 30 | 27 | 23 | |
| | kW | 3.35 | 3.61 | 3.89 | 3.93 | 4.43 | 4.43 | 4.42 | 4.46 | 5.03 | 5.03 | 5.02 | 5.06 | 5.68 | 5.67 | 5.66 | 5.70 | 6.40 | 6.39 | 6.38 | 5.50 | 5.39 | 5.39 | 5.38 | 5.02 | |
| | Amps | 13.1 | 14.1 | 15.2 | 15.4 | 17.6 | 17.6 | 17.5 | 17.7 | 20.2 | 20.2 | 20.1 | 20.3 | 23.0 | 23.0 | 22.9 | 23.1 | 26.1 | 26.1 | 26.1 | 22.4 | 22.1 | 22.0 | 22.0 | 20.5 | |
| | Hi PR | 278 | 282 | 290 | 295 | 331 | 332 | 334 | 339 | 377 | 378 | 380 | 385 | 427 | 428 | 430 | 435 | 480 | 481 | 483 | 473 | 511 | 512 | 514 | 514 | |
| | Lo PR | 118 | 118 | 124 | 129 | 127 | 128 | 131 | 136 | 133 | 134 | 137 | 142 | 138 | 139 | 142 | 147 | 143 | 144 | 147 | 149 | 149 | 150 | 153 | 160 | |

IDB = Entering Indoor Dry Bulb Temperature
 High and low pressures are measured at the liquid and suction service valves.
 Shaded areas is AHRI conditions.
 kW = Total system power
 Amps = outdoor unit amps (comp.+fan)

EXPANDED COOLING DATA – ASZS606010A* / AHVE60DP1400A*

| IDB | AIRFLOW | OUTDOOR AMBIENT TEMPERATURE | | | | | | | | | | | | ENTERING INDOOR WET BULB TEMPERATURE | | | | | | | | | | | |
|-----------|---------|-----------------------------|------|------|------|------|------|------|------|------|------|------|------|--------------------------------------|------|------|------|-------|------|------|------|-------|------|------|----|
| | | 65°F | | | | 75°F | | | | 85°F | | | | 95°F | | | | 105°F | | | | 115°F | | | |
| | | 59 | 63 | 67 | 71 | 59 | 63 | 67 | 71 | 59 | 63 | 67 | 71 | 59 | 63 | 67 | 71 | 59 | 63 | 67 | 71 | 59 | 63 | 67 | 71 |
| 70 | MBh | 41.6 | 49.2 | 54.0 | - | 53.3 | 54.1 | 55.7 | - | 51.9 | 52.7 | 54.3 | - | 49.5 | 50.2 | 51.8 | - | 41.9 | 42.6 | 44.1 | - | 35.9 | 36.5 | 37.8 | - |
| | S/T | 0.57 | 0.49 | 0.36 | - | 0.56 | 0.49 | 0.36 | - | 0.58 | 0.51 | 0.38 | - | 0.60 | 0.53 | 0.40 | - | 0.64 | 0.56 | 0.43 | - | 0.69 | 0.61 | 0.48 | - |
| | ΔT | 20 | 19 | 16 | - | 19 | 17 | 14 | - | 19 | 17 | 14 | - | 19 | 17 | 14 | - | 21 | 19 | 15 | - | 22 | 20 | 16 | - |
| | kW | 2.90 | 3.68 | 4.18 | - | 5.15 | 5.14 | 5.13 | - | 5.85 | 5.84 | 5.83 | - | 6.60 | 6.60 | 6.59 | - | 6.01 | 6.01 | 6.00 | - | 5.75 | 5.75 | 5.74 | - |
| | Amps | 10.9 | 14.1 | 16.0 | - | 20.1 | 20.1 | 20.1 | - | 23.2 | 23.1 | 23.1 | - | 26.4 | 26.4 | 26.4 | - | 24.2 | 24.2 | 24.2 | - | 23.3 | 23.2 | 23.2 | - |
| | Hi PR | 26.0 | 27.2 | 28.0 | - | 32.4 | 32.5 | 32.7 | - | 37.0 | 37.1 | 37.3 | - | 42.0 | 42.1 | 42.3 | - | 45.9 | 46.0 | 46.2 | - | 50.1 | 50.3 | 50.4 | - |
| | Lo PR | 11.3 | 11.1 | 11.3 | - | 11.7 | 11.9 | 12.2 | - | 12.3 | 12.5 | 12.8 | - | 12.8 | 13.0 | 13.3 | - | 13.2 | 13.4 | 13.6 | - | 14.1 | 14.2 | 14.5 | - |
| | MBh | 47.6 | 51.4 | 57.0 | - | 54.1 | 54.9 | 56.5 | - | 52.7 | 53.5 | 55.1 | - | 50.3 | 51.1 | 52.7 | - | 42.7 | 43.4 | 44.8 | - | 36.5 | 37.2 | 38.5 | - |
| | S/T | 0.64 | 0.56 | 0.42 | - | 0.63 | 0.56 | 0.43 | - | 0.65 | 0.58 | 0.45 | - | 0.67 | 0.60 | 0.47 | - | 0.71 | 0.64 | 0.51 | - | 0.76 | 0.69 | 0.56 | - |
| | ΔT | 20 | 18 | 13 | - | 17 | 16 | 13 | - | 18 | 16 | 13 | - | 17 | 16 | 13 | - | 19 | 17 | 14 | - | 20 | 18 | 15 | - |
| kW | 3.50 | 3.93 | 4.55 | - | 5.19 | 5.18 | 5.17 | - | 5.89 | 5.88 | 5.87 | - | 6.64 | 6.64 | 6.63 | - | 6.05 | 6.04 | 6.03 | - | 5.78 | 5.77 | 5.77 | - | |
| Amps | 13.4 | 15.1 | 17.5 | - | 20.3 | 20.3 | 20.2 | - | 23.3 | 23.3 | 23.3 | - | 26.6 | 26.6 | 26.5 | - | 24.4 | 24.3 | 24.3 | - | 23.4 | 23.4 | 23.3 | - | |
| Hi PR | 27.1 | 27.7 | 28.6 | - | 32.7 | 32.8 | 33.0 | - | 37.3 | 37.4 | 37.6 | - | 42.3 | 42.4 | 42.6 | - | 46.2 | 46.3 | 46.5 | - | 50.4 | 50.5 | 50.7 | - | |
| Lo PR | 11.2 | 11.3 | 11.7 | - | 11.9 | 12.1 | 12.4 | - | 12.5 | 12.7 | 13.0 | - | 13.0 | 13.2 | 13.5 | - | 13.4 | 13.6 | 13.8 | - | 14.3 | 14.4 | 14.7 | - | |
| MBh | 50.2 | 54.3 | 58.1 | - | 55.2 | 56.0 | 57.6 | - | 53.8 | 54.6 | 56.2 | - | 51.4 | 52.1 | 53.7 | - | 43.6 | 44.3 | 45.8 | - | 37.4 | 38.0 | 39.3 | - | |
| S/T | 0.68 | 0.60 | 0.46 | - | 0.66 | 0.59 | 0.47 | - | 0.69 | 0.62 | 0.49 | - | 0.71 | 0.63 | 0.51 | - | 0.75 | 0.67 | 0.54 | - | 1.00 | 0.72 | 0.59 | - | |
| ΔT | 19 | 17 | 12 | - | 16 | 15 | 11 | - | 17 | 15 | 12 | - | 16 | 15 | 11 | - | 18 | 16 | 13 | - | 19 | 17 | 14 | - | |
| kW | 3.74 | 4.25 | 4.58 | - | 5.22 | 5.22 | 5.21 | - | 5.92 | 5.91 | 5.90 | - | 6.67 | 6.67 | 6.66 | - | 6.07 | 6.07 | 6.06 | - | 5.80 | 5.80 | 5.79 | - | |
| Amps | 14.3 | 16.4 | 17.7 | - | 20.4 | 20.4 | 20.4 | - | 23.5 | 23.5 | 23.4 | - | 26.8 | 26.7 | 26.7 | - | 24.5 | 24.4 | 24.4 | - | 23.5 | 23.5 | 23.4 | - | |
| Hi PR | 27.6 | 28.4 | 28.8 | - | 32.9 | 33.1 | 33.3 | - | 37.6 | 37.7 | 37.9 | - | 42.6 | 42.7 | 42.9 | - | 46.5 | 46.6 | 46.8 | - | 50.7 | 50.8 | 51.0 | - | |
| Lo PR | 11.4 | 11.4 | 11.9 | - | 12.2 | 12.3 | 12.6 | - | 12.8 | 12.9 | 13.2 | - | 13.3 | 13.4 | 13.7 | - | 13.6 | 13.8 | 14.1 | - | 14.5 | 14.6 | 14.9 | - | |

| | | | | | | | | | | | | | | | | | | | | | | | | | |
|-----------|-------|------|------|------|------|------|------|------|------|------|------|------|------|-------------|-------------|------|------|------|------|------|------|------|------|------|------|
| 75 | MBh | 41.6 | 49.2 | 54.0 | 58.6 | 53.3 | 54.1 | 55.7 | 58.2 | 51.9 | 52.7 | 54.3 | 56.8 | 49.5 | 50.3 | 51.9 | 54.3 | 41.9 | 42.6 | 44.1 | 44.8 | 35.9 | 36.5 | 37.8 | 37.7 |
| | S/T | 0.70 | 0.62 | 0.48 | 0.34 | 0.68 | 0.61 | 0.48 | 0.35 | 0.70 | 0.63 | 0.50 | 0.37 | 0.72 | 0.65 | 0.52 | 0.39 | 0.76 | 0.69 | 0.56 | 0.42 | 1.00 | 0.74 | 0.61 | 0.48 |
| | ΔT | 25 | 23 | 20 | 14 | 22 | 21 | 18 | 14 | 23 | 21 | 18 | 15 | 22 | 21 | 18 | 14 | 25 | 23 | 20 | 16 | 26 | 24 | 20 | 16 |
| | kW | 2.90 | 3.68 | 4.17 | 4.55 | 5.14 | 5.14 | 5.13 | 5.18 | 5.84 | 5.84 | 5.83 | 5.87 | 6.60 | 6.59 | 6.58 | 6.63 | 6.01 | 6.01 | 6.00 | 5.67 | 5.75 | 5.75 | 5.74 | 5.30 |
| | Amps | 10.9 | 14.0 | 16.0 | 17.5 | 20.1 | 20.1 | 20.0 | 20.2 | 23.1 | 23.1 | 23.1 | 23.3 | 26.4 | 26.4 | 26.4 | 26.6 | 24.2 | 24.2 | 24.1 | 22.8 | 23.3 | 23.2 | 23.2 | 21.4 |
| | Hi PR | 26.1 | 27.2 | 28.0 | 28.8 | 32.4 | 32.5 | 32.7 | 33.2 | 37.0 | 37.1 | 37.3 | 37.8 | 42.0 | 42.1 | 42.3 | 42.8 | 45.9 | 46.1 | 46.2 | 46.3 | 50.2 | 50.3 | 50.5 | 50.3 |
| | Lo PR | 11.3 | 11.1 | 11.3 | 12.0 | 11.7 | 11.9 | 12.2 | 12.6 | 12.3 | 12.5 | 12.8 | 13.2 | 12.8 | 13.0 | 13.3 | 13.7 | 13.2 | 13.4 | 13.6 | 14.2 | 14.1 | 14.2 | 14.5 | 15.1 |
| | MBh | 47.6 | 51.4 | 57.0 | 59.5 | 54.2 | 54.9 | 56.6 | 59.0 | 52.8 | 53.5 | 55.1 | 57.6 | 50.3 | 51.1 | 52.7 | 55.2 | 42.7 | 43.4 | 44.9 | 45.5 | 36.6 | 37.2 | 38.5 | 38.3 |
| | S/T | 0.76 | 0.68 | 0.55 | 0.41 | 0.75 | 0.68 | 0.55 | 0.42 | 0.77 | 0.70 | 0.57 | 0.44 | 0.79 | 0.72 | 0.59 | 0.46 | 1.00 | 0.76 | 0.63 | 0.49 | 1.00 | 0.81 | 0.68 | 0.55 |
| | ΔT | 24 | 22 | 16 | 13 | 21 | 19 | 16 | 13 | 21 | 20 | 17 | 13 | 21 | 19 | 16 | 13 | 24 | 22 | 18 | 14 | 24 | 23 | 19 | 15 |
| kW | 3.49 | 3.93 | 4.54 | 4.59 | 5.18 | 5.18 | 5.17 | 5.22 | 5.88 | 5.88 | 5.87 | 5.91 | 6.64 | 6.63 | 6.62 | 6.67 | 6.04 | 6.04 | 6.03 | 5.70 | 5.77 | 5.77 | 5.76 | 5.32 | |
| Amps | 13.3 | 15.0 | 17.5 | 17.7 | 20.3 | 20.3 | 20.2 | 20.4 | 23.3 | 23.3 | 23.2 | 23.5 | 26.6 | 26.6 | 26.5 | 26.7 | 24.3 | 24.3 | 24.3 | 22.9 | 23.4 | 23.4 | 23.3 | 21.5 | |
| Hi PR | 27.1 | 27.8 | 28.6 | 29.1 | 32.7 | 32.8 | 33.0 | 33.5 | 37.3 | 37.4 | 37.6 | 38.1 | 42.3 | 42.4 | 42.6 | 43.1 | 46.2 | 46.3 | 46.5 | 46.5 | 50.4 | 50.5 | 50.7 | 50.5 | |
| Lo PR | 11.2 | 11.3 | 11.7 | 12.2 | 11.9 | 12.1 | 12.4 | 12.8 | 12.5 | 12.7 | 13.0 | 13.4 | 13.0 | 13.2 | 13.5 | 13.9 | 13.4 | 13.6 | 13.8 | 14.4 | 14.3 | 14.4 | 14.7 | 15.3 | |
| MBh | 50.2 | 54.3 | 58.1 | 60.6 | 55.2 | 56.0 | 57.6 | 60.1 | 53.8 | 54.6 | 56.2 | 58.7 | 51.4 | 52.2 | 53.8 | 56.2 | 43.6 | 44.3 | 45.8 | 46.4 | 37.4 | 38.1 | 39.4 | 39.1 | |
| S/T | 0.80 | 0.72 | 0.58 | 0.45 | 0.79 | 0.71 | 0.59 | 0.45 | 0.81 | 0.74 | 0.61 | 0.48 | 0.83 | 0.76 | 0.63 | 0.50 | 1.00 | 0.80 | 0.67 | 0.53 | 1.00 | 0.85 | 0.72 | 0.59 | |
| ΔT | 23 | 21 | 15 | 12 | 20 | 18 | 15 | 12 | 20 | 19 | 15 | 12 | 20 | 18 | 15 | 12 | 22 | 21 | 17 | 13 | 23 | 21 | 18 | 14 | |
| kW | 3.74 | 4.25 | 4.58 | 4.62 | 5.22 | 5.21 | 5.20 | 5.25 | 5.92 | 5.91 | 5.90 | 5.95 | 6.67 | 6.66 | 6.65 | 6.70 | 6.07 | 6.07 | 6.06 | 5.72 | 5.80 | 5.79 | 5.79 | 5.34 | |
| Amps | 14.3 | 16.4 | 17.6 | 17.8 | 20.4 | 20.4 | 20.4 | 20.6 | 23.5 | 23.4 | 23.4 | 23.6 | 26.7 | 26.7 | 26.7 | 26.9 | 24.4 | 24.4 | 24.4 | 23.0 | 23.5 | 23.4 | 23.4 | 21.6 | |
| Hi PR | 27.7 | 28.4 | 28.9 | 29.4 | 33.0 | 33.1 | 33.3 | 33.8 | 37.6 | 37.7 | 37.9 | 38.4 | 42.6 | 42.7 | 42.9 | 43.4 | 46.5 | 46.6 | 46.8 | 46.8 | 50.7 | 50.8 | 51.0 | 50.8 | |
| Lo PR | 11.4 | 11.4 | 11.9 | 12.4 | 12.2 | 12.3 | 12.6 | 13.1 | 12.8 | 12.9 | 13.2 | 13.7 | 13.3 | 13.4 | 13.7 | 14.2 | 13.6 | 13.8 | 14.1 | 14.6 | 14.5 | 14.6 | 14.9 | 15.6 | |

IDB = Entering Indoor Dry Bulb Temperature
 High and low pressures are measured at the liquid and suction service valves.
 Shaded area is ACCA (TVA) conditions
 kW = Total system power
 Amps = outdoor unit amps (comp.+fan)

EXPANDED COOLING DATA – ASZS606010A* / AHVE60DP1400A* (CONT.)

| IDB | AIRFLOW | OUTDOOR AMBIENT TEMPERATURE | | | | | | | | | | | | ENTERING INDOOR WET BULB TEMPERATURE | | | | | | | | | | | |
|-----------|---------|-----------------------------|------|------|------|------|------|------|------|------|------|------|------|--------------------------------------|------|------|------|-------|------|------|------|-------|------|------|------|
| | | 65°F | | | | 75°F | | | | 85°F | | | | 95°F | | | | 105°F | | | | 115°F | | | |
| | | 59 | 63 | 67 | 71 | 59 | 63 | 67 | 71 | 59 | 63 | 67 | 71 | 59 | 63 | 67 | 71 | 59 | 63 | 67 | 71 | 59 | 63 | 67 | 71 |
| 80 | MBh | 41.9 | 49.4 | 54.3 | 58.9 | 53.6 | 54.4 | 56.0 | 58.4 | 52.2 | 53.0 | 54.6 | 57.0 | 49.8 | 50.5 | 52.2 | 54.6 | 42.2 | 42.9 | 44.3 | 45.0 | 45.0 | 45.7 | 47.1 | 48.5 |
| | S/T | 0.82 | 0.74 | 0.60 | 0.46 | 0.79 | 0.72 | 0.60 | 0.46 | 1.00 | 0.75 | 0.62 | 0.49 | 1.00 | 0.76 | 0.64 | 0.50 | 1.00 | 0.81 | 0.68 | 0.54 | 1.00 | 0.86 | 0.73 | 0.60 |
| | ΔT | 29 | 28 | 24 | 18 | 26 | 25 | 21 | 18 | 27 | 25 | 22 | 18 | 26 | 25 | 21 | 18 | 29 | 27 | 24 | 20 | 30 | 28 | 25 | 21 |
| | kW | 2.90 | 3.68 | 4.18 | 4.55 | 5.15 | 5.14 | 5.13 | 5.18 | 5.85 | 5.84 | 5.83 | 5.88 | 6.60 | 6.60 | 6.58 | 6.63 | 6.01 | 6.01 | 6.00 | 6.00 | 5.67 | 5.75 | 5.74 | 5.30 |
| | Amps | 10.9 | 14.1 | 16.0 | 17.5 | 20.1 | 20.1 | 20.1 | 20.3 | 23.2 | 23.1 | 23.1 | 23.3 | 26.4 | 26.4 | 26.4 | 26.6 | 24.2 | 24.2 | 24.2 | 22.8 | 23.3 | 23.2 | 23.2 | 21.4 |
| | Hi PR | 261 | 273 | 281 | 288 | 324 | 326 | 328 | 332 | 371 | 372 | 374 | 379 | 421 | 422 | 424 | 429 | 460 | 461 | 463 | 463 | 502 | 503 | 505 | 503 |
| | Lo PR | 113 | 112 | 113 | 120 | 118 | 119 | 122 | 127 | 124 | 125 | 128 | 133 | 129 | 130 | 133 | 138 | 133 | 134 | 137 | 142 | 141 | 143 | 146 | 152 |
| | MBh | 47.8 | 51.7 | 57.3 | 59.8 | 54.5 | 55.2 | 56.8 | 59.3 | 53.0 | 53.8 | 55.4 | 57.9 | 50.6 | 51.4 | 53.0 | 55.5 | 43.0 | 43.7 | 45.1 | 45.7 | 45.7 | 46.4 | 47.1 | 47.8 |
| | S/T | 0.89 | 0.80 | 0.66 | 0.53 | 0.87 | 0.80 | 0.67 | 0.53 | 1.00 | 0.82 | 0.69 | 0.56 | 1.00 | 0.84 | 0.71 | 0.58 | 1.00 | 0.88 | 0.75 | 0.61 | 1.00 | 0.93 | 0.80 | 0.67 |
| | ΔT | 28 | 26 | 20 | 17 | 25 | 23 | 20 | 17 | 25 | 24 | 20 | 17 | 25 | 23 | 20 | 17 | 28 | 26 | 22 | 19 | 29 | 27 | 23 | 19 |
| | kW | 3.50 | 3.93 | 4.55 | 4.60 | 5.19 | 5.18 | 5.17 | 5.22 | 5.89 | 5.88 | 5.87 | 5.92 | 6.64 | 6.64 | 6.62 | 6.67 | 6.05 | 6.04 | 6.03 | 5.70 | 5.78 | 5.77 | 5.77 | 5.32 |
| | Amps | 13.3 | 15.1 | 17.5 | 17.7 | 20.3 | 20.3 | 20.2 | 20.4 | 23.3 | 23.3 | 23.3 | 23.5 | 26.6 | 26.6 | 26.6 | 26.8 | 24.4 | 24.3 | 24.3 | 22.9 | 23.4 | 23.4 | 23.3 | 21.5 |
| Hi PR | 272 | 278 | 286 | 291 | 327 | 329 | 331 | 335 | 374 | 375 | 377 | 382 | 423 | 425 | 427 | 432 | 463 | 464 | 466 | 466 | 505 | 506 | 508 | 506 | |
| Lo PR | 113 | 113 | 117 | 122 | 120 | 121 | 124 | 129 | 126 | 127 | 130 | 135 | 131 | 132 | 135 | 140 | 135 | 136 | 139 | 144 | 143 | 145 | 147 | 154 | |
| MBh | 50.5 | 54.6 | 58.4 | 60.8 | 55.5 | 56.3 | 57.9 | 60.4 | 54.1 | 54.9 | 56.5 | 58.9 | 51.7 | 52.4 | 54.1 | 56.5 | 43.9 | 44.6 | 46.0 | 46.6 | 46.6 | 47.3 | 48.0 | 48.7 | |
| S/T | 0.92 | 0.84 | 0.70 | 0.56 | 0.90 | 0.83 | 0.70 | 0.57 | 1.00 | 0.85 | 0.73 | 0.59 | 1.00 | 0.87 | 0.75 | 0.61 | 1.00 | 0.92 | 0.79 | 0.65 | 1.00 | 1.00 | 0.84 | 0.71 | |
| ΔT | 27 | 25 | 19 | 16 | 24 | 22 | 19 | 16 | 24 | 22 | 19 | 16 | 24 | 22 | 19 | 16 | 27 | 25 | 21 | 17 | 27 | 26 | 22 | 18 | |
| kW | 3.74 | 4.25 | 4.58 | 4.63 | 5.22 | 5.22 | 5.21 | 5.25 | 5.92 | 5.91 | 5.90 | 5.95 | 6.67 | 6.67 | 6.66 | 6.71 | 6.07 | 6.07 | 6.06 | 5.72 | 5.80 | 5.80 | 5.79 | 5.34 | |
| Amps | 14.3 | 16.4 | 17.7 | 17.9 | 20.4 | 20.4 | 20.4 | 20.6 | 23.5 | 23.5 | 23.4 | 23.6 | 26.8 | 26.7 | 26.7 | 26.9 | 24.5 | 24.4 | 24.4 | 23.0 | 23.5 | 23.5 | 23.4 | 21.6 | |
| Hi PR | 277 | 284 | 289 | 294 | 330 | 331 | 333 | 338 | 376 | 378 | 380 | 385 | 426 | 428 | 429 | 434 | 465 | 467 | 468 | 468 | 507 | 509 | 510 | 508 | |
| Lo PR | 115 | 115 | 120 | 124 | 122 | 124 | 126 | 131 | 128 | 129 | 132 | 137 | 133 | 134 | 137 | 142 | 137 | 138 | 141 | 146 | 145 | 147 | 150 | 156 | |
| 85 | MBh | 42.6 | 50.3 | 55.2 | 59.8 | 54.5 | 55.3 | 56.9 | 59.4 | 53.1 | 53.9 | 55.5 | 57.9 | 50.7 | 51.4 | 53.1 | 55.5 | 43.0 | 43.7 | 45.2 | 45.8 | 45.8 | 46.5 | 47.2 | 47.9 |
| | S/T | 1.00 | 0.83 | 0.70 | 0.55 | 1.00 | 0.82 | 0.69 | 0.56 | 1.00 | 0.84 | 0.71 | 0.58 | 1.00 | 0.86 | 0.73 | 0.60 | 1.00 | 1.00 | 0.77 | 0.64 | 1.00 | 1.00 | 0.83 | 0.70 |
| | ΔT | 32 | 32 | 28 | 21 | 30 | 28 | 25 | 21 | 30 | 28 | 25 | 22 | 30 | 28 | 25 | 21 | 33 | 31 | 28 | 24 | 34 | 32 | 28 | 24 |
| | kW | 2.91 | 3.69 | 4.19 | 4.57 | 5.16 | 5.15 | 5.14 | 5.19 | 5.86 | 5.85 | 5.84 | 5.89 | 6.61 | 6.61 | 6.60 | 6.64 | 6.02 | 6.02 | 6.01 | 5.68 | 5.76 | 5.76 | 5.75 | 5.30 |
| | Amps | 11.0 | 14.1 | 16.1 | 17.6 | 20.2 | 20.2 | 20.1 | 20.3 | 23.2 | 23.2 | 23.1 | 23.3 | 26.5 | 26.5 | 26.4 | 26.6 | 24.3 | 24.2 | 24.2 | 22.8 | 23.3 | 23.3 | 23.3 | 21.4 |
| | Hi PR | 262 | 274 | 282 | 290 | 326 | 327 | 329 | 334 | 372 | 373 | 375 | 380 | 422 | 423 | 425 | 430 | 461 | 462 | 464 | 464 | 503 | 504 | 506 | 504 |
| | Lo PR | 115 | 113 | 115 | 122 | 120 | 121 | 124 | 129 | 126 | 127 | 130 | 134 | 131 | 132 | 135 | 139 | 134 | 136 | 139 | 144 | 143 | 144 | 147 | 154 |
| | MBh | 48.6 | 52.5 | 58.2 | 60.7 | 55.4 | 56.1 | 57.7 | 60.2 | 54.0 | 54.7 | 56.3 | 58.8 | 51.5 | 52.3 | 53.9 | 56.4 | 43.8 | 44.5 | 45.9 | 46.5 | 46.5 | 47.2 | 47.9 | 48.6 |
| | S/T | 1.00 | 0.90 | 0.76 | 0.62 | 1.00 | 0.89 | 0.76 | 0.63 | 1.00 | 0.91 | 0.79 | 0.65 | 1.00 | 0.93 | 0.80 | 0.67 | 1.00 | 1.00 | 0.85 | 0.71 | 1.00 | 1.00 | 0.90 | 0.77 |
| | ΔT | 32 | 30 | 23 | 20 | 28 | 27 | 23 | 20 | 29 | 27 | 24 | 20 | 28 | 27 | 23 | 20 | 32 | 30 | 26 | 22 | 32 | 30 | 27 | 23 |
| | kW | 3.51 | 3.94 | 4.56 | 4.61 | 5.20 | 5.20 | 5.18 | 5.23 | 5.90 | 5.89 | 5.88 | 5.93 | 6.65 | 6.65 | 6.64 | 6.68 | 6.06 | 6.05 | 6.04 | 5.71 | 5.79 | 5.78 | 5.77 | 5.33 |
| | Amps | 13.4 | 15.1 | 17.6 | 17.8 | 20.3 | 20.3 | 20.3 | 20.5 | 23.4 | 23.4 | 23.3 | 23.5 | 26.7 | 26.6 | 26.6 | 26.8 | 24.4 | 24.4 | 24.3 | 23.0 | 23.4 | 23.4 | 23.4 | 21.5 |
| Hi PR | 273 | 279 | 288 | 293 | 329 | 330 | 332 | 337 | 375 | 376 | 378 | 383 | 425 | 426 | 428 | 433 | 464 | 465 | 467 | 467 | 506 | 507 | 509 | 507 | |
| Lo PR | 114 | 115 | 119 | 124 | 122 | 123 | 126 | 131 | 127 | 129 | 132 | 136 | 133 | 134 | 137 | 141 | 136 | 138 | 141 | 146 | 145 | 146 | 149 | 156 | |
| MBh | 51.3 | 55.4 | 59.3 | 61.7 | 56.4 | 57.2 | 58.8 | 61.3 | 55.0 | 55.8 | 57.4 | 59.9 | 52.6 | 53.4 | 55.0 | 57.4 | 44.7 | 45.4 | 46.9 | 47.4 | 47.4 | 48.1 | 48.8 | 49.5 | |
| S/T | 1.00 | 0.93 | 0.79 | 0.66 | 1.00 | 0.93 | 0.80 | 0.67 | 1.00 | 0.95 | 0.82 | 0.69 | 1.00 | 1.00 | 0.84 | 0.71 | 1.00 | 1.00 | 0.89 | 0.75 | 1.00 | 1.00 | 0.94 | 0.81 | |
| ΔT | 31 | 29 | 22 | 19 | 27 | 26 | 22 | 19 | 28 | 26 | 22 | 19 | 27 | 26 | 22 | 19 | 31 | 29 | 25 | 21 | 31 | 29 | 26 | 22 | |
| kW | 3.75 | 4.26 | 4.59 | 4.64 | 5.23 | 5.23 | 5.22 | 5.26 | 5.93 | 5.93 | 5.91 | 5.96 | 6.69 | 6.68 | 6.67 | 6.72 | 6.08 | 6.08 | 6.07 | 5.73 | 5.81 | 5.80 | 5.80 | 5.35 | |
| Amps | 14.4 | 16.4 | 17.7 | 17.9 | 20.5 | 20.5 | 20.4 | 20.6 | 23.5 | 23.5 | 23.5 | 23.7 | 26.8 | 26.8 | 26.7 | 26.9 | 24.5 | 24.5 | 24.4 | 23.1 | 23.5 | 23.5 | 23.5 | 21.6 | |
| Hi PR | 278 | 286 | 290 | 295 | 331 | 333 | 335 | 340 | 378 | 379 | 381 | 386 | 428 | 429 | 431 | 436 | 467 | 468 | 470 | 470 | 509 | 510 | 512 | 510 | |
| Lo PR | 116 | 116 | 121 | 126 | 124 | 125 | 128 | 133 | 130 | 131 | 134 | 139 | 135 | 136 | 139 | 144 | 139 | 140 | 143 | 148 | 147 | 149 | 151 | 158 | |

IDB = Entering Indoor Dry Bulb Temperature
 High and low pressures are measured at the liquid and suction service valves.
 Shaded areas is AHRI conditions.
 kW = Total system power
 Amps = outdoor unit amps (comp.+fan)

ENHANCED – EXPANDED COOLING DATA – ASZS60241EA* / AHVE36CP1400A*

| IDB* | AIRFLOW | OUTDOOR AMBIENT TEMPERATURE | | | | | | | | | | | | | | | | | | | | | | | | |
|------------|---------|-----------------------------|------|------|------|------|------|------|------|------|------|------|------|------|------|------|------|-------|------|------|------|-------|------|------|------|------|
| | | 65°F | | | | 75°F | | | | 85°F | | | | 95°F | | | | 105°F | | | | 115°F | | | | |
| | | 59 | 63 | 67 | 71 | 59 | 63 | 67 | 71 | 59 | 63 | 67 | 71 | 59 | 63 | 67 | 71 | 59 | 63 | 67 | 71 | 59 | 63 | 67 | 71 | |
| 680 | MBh | 23.3 | 23.7 | 24.4 | 23.1 | 23.5 | 24.2 | 22.5 | 22.9 | 23.6 | 21.5 | 21.8 | 22.5 | 20.2 | 20.5 | 21.2 | 19.0 | 19.3 | 20.0 | 20.2 | 20.5 | 21.2 | 19.0 | 19.3 | 20.0 | |
| | S/T | 0.54 | 0.47 | 0.35 | 0.55 | 0.48 | 0.35 | 0.57 | 0.50 | 0.38 | 0.59 | 0.52 | 0.40 | 1.00 | 0.54 | 0.42 | 1.00 | 0.59 | 0.46 | 1.00 | 0.54 | 0.42 | 1.00 | 0.59 | 0.46 | |
| | ΔT | 19 | 17 | 14 | 19 | 17 | 14 | 19 | 17 | 14 | 19 | 17 | 14 | 18 | 17 | 13 | 19 | 18 | 15 | 18 | 17 | 13 | 19 | 18 | 15 | |
| | kW | 1.60 | 1.60 | 1.59 | 1.81 | 1.81 | 1.80 | 2.04 | 2.04 | 2.04 | 2.04 | 2.29 | 2.29 | 2.57 | 2.57 | 2.57 | 2.90 | 2.90 | 2.90 | 2.57 | 2.57 | 2.57 | 2.90 | 2.90 | 2.90 | |
| | Amps | 6.0 | 6.0 | 6.0 | 6.9 | 6.9 | 6.9 | 7.9 | 7.9 | 7.9 | 7.9 | 9.0 | 9.0 | 9.0 | 10.2 | 10.2 | 10.2 | 11.7 | 11.7 | 11.6 | 10.2 | 10.2 | 10.2 | 11.7 | 11.7 | 11.6 |
| | Hi PR | 255 | 256 | 258 | 295 | 296 | 298 | 337 | 338 | 340 | 338 | 384 | 386 | 432 | 433 | 435 | 484 | 485 | 487 | 432 | 433 | 435 | 484 | 485 | 487 | |
| Lo PR | 119 | 121 | 124 | 127 | 128 | 131 | 133 | 134 | 138 | 138 | 140 | 143 | 144 | 145 | 148 | 150 | 152 | 155 | 144 | 145 | 148 | 150 | 152 | 155 | | |
| 70 | MBh | 23.7 | 24.0 | 24.7 | 23.5 | 23.8 | 24.5 | 22.9 | 23.2 | 23.9 | 21.8 | 22.2 | 22.9 | 20.6 | 20.9 | 21.6 | 19.4 | 19.7 | 20.4 | 20.6 | 20.9 | 21.6 | 19.4 | 19.7 | 20.4 | |
| | S/T | 0.61 | 0.54 | 0.42 | 0.62 | 0.55 | 0.42 | 0.64 | 0.57 | 0.45 | 0.66 | 0.59 | 0.47 | 1.00 | 0.61 | 0.49 | 1.00 | 0.66 | 0.53 | 1.00 | 0.61 | 0.49 | 1.00 | 0.66 | 0.53 | |
| | ΔT | 17 | 16 | 12 | 17 | 16 | 12 | 18 | 16 | 13 | 17 | 16 | 12 | 17 | 15 | 12 | 18 | 16 | 13 | 17 | 15 | 12 | 18 | 16 | 13 | |
| | kW | 1.61 | 1.61 | 1.61 | 1.82 | 1.82 | 1.82 | 2.05 | 2.05 | 2.05 | 2.05 | 2.31 | 2.30 | 2.30 | 2.59 | 2.59 | 2.58 | 2.92 | 2.92 | 2.91 | 2.59 | 2.59 | 2.58 | 2.92 | 2.92 | 2.91 |
| | Amps | 6.1 | 6.0 | 6.0 | 7.0 | 7.0 | 6.9 | 8.0 | 8.0 | 7.9 | 9.1 | 9.1 | 9.0 | 10.3 | 10.3 | 10.3 | 11.7 | 11.7 | 11.7 | 10.3 | 10.3 | 10.3 | 11.7 | 11.7 | 11.7 | |
| | Hi PR | 257 | 259 | 260 | 298 | 299 | 301 | 340 | 341 | 343 | 385 | 387 | 388 | 434 | 436 | 437 | 487 | 488 | 490 | 434 | 436 | 437 | 487 | 488 | 490 | |
| Lo PR | 121 | 123 | 126 | 129 | 130 | 133 | 135 | 137 | 140 | 140 | 142 | 145 | 146 | 147 | 150 | 152 | 154 | 157 | 146 | 147 | 150 | 152 | 154 | 157 | | |
| 920 | MBh | 24.2 | 24.5 | 25.2 | 23.9 | 24.3 | 25.0 | 23.3 | 23.7 | 24.4 | 22.3 | 22.6 | 23.3 | 21.0 | 21.3 | 22.0 | 19.8 | 20.2 | 20.9 | 21.0 | 21.3 | 22.0 | 19.8 | 20.2 | 20.9 | |
| | S/T | 0.65 | 0.58 | 0.45 | 0.65 | 0.58 | 0.46 | 0.68 | 0.61 | 0.48 | 0.70 | 0.63 | 0.50 | 1.00 | 0.65 | 0.52 | 1.00 | 0.69 | 0.57 | 1.00 | 0.65 | 0.52 | 1.00 | 0.69 | 0.57 | |
| | ΔT | 16 | 15 | 11 | 16 | 15 | 11 | 17 | 15 | 12 | 16 | 15 | 11 | 16 | 14 | 11 | 17 | 15 | 12 | 16 | 14 | 11 | 17 | 15 | 12 | |
| | kW | 1.62 | 1.62 | 1.62 | 1.83 | 1.83 | 1.83 | 2.06 | 2.06 | 2.06 | 2.32 | 2.32 | 2.31 | 2.60 | 2.60 | 2.59 | 2.93 | 2.93 | 2.92 | 2.60 | 2.60 | 2.59 | 2.93 | 2.93 | 2.92 | |
| | Amps | 6.1 | 6.1 | 6.1 | 7.0 | 7.0 | 7.0 | 8.0 | 8.0 | 8.0 | 9.1 | 9.1 | 9.1 | 10.3 | 10.3 | 10.3 | 11.8 | 11.8 | 11.8 | 10.3 | 10.3 | 10.3 | 11.8 | 11.8 | 11.8 | |
| | Hi PR | 260 | 261 | 263 | 300 | 301 | 303 | 343 | 344 | 345 | 388 | 389 | 391 | 437 | 438 | 440 | 489 | 490 | 492 | 437 | 438 | 440 | 489 | 490 | 492 | |
| Lo PR | 124 | 125 | 128 | 131 | 133 | 136 | 137 | 139 | 142 | 143 | 144 | 147 | 148 | 150 | 153 | 155 | 156 | 159 | 148 | 150 | 153 | 155 | 156 | 159 | | |

| | | | | | | | | | | | | | | | | | | | | | | | | |
|------------|-------|------|------|------|------|------|------|------|------|------|------|------|------|------|------|------|------|------|------|------|------|------|------|------|
| 680 | MBh | 23.4 | 23.7 | 24.4 | 25.5 | 24.2 | 25.2 | 22.5 | 22.9 | 23.6 | 21.5 | 21.8 | 22.5 | 23.6 | 20.2 | 20.5 | 21.2 | 19.0 | 19.4 | 20.1 | 21.1 | | | |
| | S/T | 0.66 | 0.59 | 0.47 | 0.34 | 0.67 | 0.60 | 0.47 | 0.69 | 0.62 | 0.50 | 0.37 | 1.00 | 0.64 | 0.51 | 0.38 | 1.00 | 0.66 | 0.54 | 0.40 | 0.45 | | | |
| | ΔT | 22 | 21 | 17 | 14 | 22 | 21 | 17 | 23 | 21 | 18 | 14 | 22 | 21 | 17 | 14 | 22 | 20 | 17 | 14 | 23 | 21 | 18 | 15 |
| | kW | 1.60 | 1.60 | 1.59 | 1.61 | 1.81 | 1.80 | 1.80 | 2.04 | 2.04 | 2.03 | 2.05 | 2.29 | 2.29 | 2.29 | 2.30 | 2.57 | 2.57 | 2.57 | 2.58 | 2.90 | 2.90 | 2.90 | 2.91 |
| | Amps | 6.0 | 6.0 | 6.0 | 6.9 | 6.9 | 6.9 | 7.9 | 7.9 | 7.9 | 7.9 | 8.0 | 9.0 | 9.0 | 9.1 | 10.2 | 10.2 | 10.2 | 10.3 | 11.7 | 11.7 | 11.6 | 11.7 | 11.7 |
| | Hi PR | 255 | 256 | 258 | 262 | 295 | 296 | 298 | 303 | 338 | 339 | 340 | 345 | 383 | 384 | 386 | 390 | 432 | 433 | 435 | 439 | 484 | 485 | 487 |
| Lo PR | 119 | 121 | 124 | 129 | 127 | 128 | 131 | 136 | 133 | 134 | 138 | 143 | 138 | 140 | 143 | 148 | 144 | 145 | 148 | 153 | 150 | 152 | 155 | 160 |
| 75 | MBh | 23.7 | 24.1 | 24.8 | 25.8 | 23.5 | 23.8 | 24.5 | 22.9 | 23.2 | 23.9 | 21.8 | 22.2 | 22.9 | 20.6 | 20.9 | 21.6 | 19.4 | 19.7 | 20.4 | 21.5 | | | |
| | S/T | 0.73 | 0.66 | 0.54 | 0.41 | 0.74 | 0.67 | 0.54 | 1.00 | 0.69 | 0.57 | 0.43 | 1.00 | 0.71 | 0.58 | 0.45 | 1.00 | 0.73 | 0.60 | 0.47 | 1.00 | 0.78 | 0.65 | 0.52 |
| | ΔT | 21 | 19 | 16 | 13 | 21 | 19 | 16 | 21 | 20 | 16 | 13 | 21 | 19 | 16 | 13 | 21 | 19 | 16 | 13 | 22 | 20 | 17 | 14 |
| | kW | 1.61 | 1.61 | 1.61 | 1.62 | 1.82 | 1.82 | 1.81 | 2.05 | 2.05 | 2.05 | 2.06 | 2.30 | 2.30 | 2.32 | 2.59 | 2.58 | 2.58 | 2.60 | 2.92 | 2.91 | 2.91 | 2.91 | 2.93 |
| | Amps | 6.0 | 6.0 | 6.0 | 6.1 | 7.0 | 6.9 | 6.9 | 8.0 | 8.0 | 8.0 | 7.9 | 8.0 | 9.1 | 10.3 | 10.3 | 10.3 | 11.7 | 11.7 | 11.7 | 11.7 | 11.7 | 11.7 | 11.8 |
| | Hi PR | 258 | 259 | 261 | 265 | 298 | 299 | 301 | 305 | 340 | 341 | 343 | 348 | 386 | 387 | 389 | 393 | 435 | 436 | 438 | 442 | 487 | 488 | 490 |
| Lo PR | 121 | 123 | 126 | 131 | 129 | 130 | 133 | 138 | 135 | 137 | 140 | 145 | 141 | 142 | 145 | 150 | 146 | 147 | 150 | 155 | 152 | 154 | 157 | 162 |
| 920 | MBh | 24.2 | 24.5 | 25.2 | 26.3 | 24.0 | 24.3 | 25.0 | 23.4 | 23.7 | 24.4 | 22.3 | 22.6 | 23.3 | 21.0 | 21.3 | 22.0 | 19.8 | 20.2 | 20.9 | 21.9 | | | |
| | S/T | 0.77 | 0.70 | 0.57 | 0.44 | 0.77 | 0.70 | 0.58 | 1.00 | 0.73 | 0.60 | 0.47 | 1.00 | 0.74 | 0.62 | 0.49 | 1.00 | 0.76 | 0.64 | 0.51 | 1.00 | 1.00 | 0.69 | 0.56 |
| | ΔT | 20 | 18 | 15 | 12 | 20 | 18 | 15 | 20 | 19 | 15 | 12 | 20 | 18 | 15 | 12 | 20 | 18 | 15 | 12 | 21 | 19 | 16 | 13 |
| | kW | 1.62 | 1.62 | 1.62 | 1.63 | 1.83 | 1.83 | 1.83 | 2.06 | 2.06 | 2.06 | 2.07 | 2.32 | 2.31 | 2.31 | 2.33 | 2.60 | 2.60 | 2.59 | 2.61 | 2.93 | 2.93 | 2.92 | 2.94 |
| | Amps | 6.1 | 6.1 | 6.1 | 6.1 | 7.0 | 7.0 | 7.0 | 8.0 | 8.0 | 8.0 | 8.1 | 9.1 | 9.1 | 9.1 | 9.2 | 10.3 | 10.3 | 10.3 | 10.4 | 11.8 | 11.8 | 11.7 | 11.8 |
| | Hi PR | 260 | 261 | 263 | 268 | 301 | 302 | 303 | 308 | 343 | 344 | 346 | 350 | 388 | 389 | 391 | 396 | 437 | 438 | 440 | 445 | 489 | 491 | 492 |
| Lo PR | 124 | 125 | 128 | 133 | 131 | 133 | 136 | 141 | 137 | 139 | 142 | 147 | 143 | 144 | 147 | 152 | 148 | 150 | 153 | 158 | 155 | 156 | 159 | 164 |

IDB*: Entering Indoor Dry Bulb Temperature
 High and low pressures are measured at the liquid and suction service valves.
 Airflow may vary depending on actual ambient conditions and system operation modes.
 Shaded area is ACCA (TVA) conditions
 kW = Total system power
 Amps = outdoor unit amps

ENHANCED – EXPANDED COOLING DATA – ASZS60241EA* / AHVE36CP1400A* (CONT.)

| IDB* | OUTDOOR AMBIENT TEMPERATURE | | | | | | | | | | | | | | | | | | | | | | | | | |
|-------|-----------------------------|------|------|------|------|------|------|------|------|------|------|------|------|------|------|------|-------|------|------|------|-------|------|------|------|------|------|
| | 65°F | | | | 75°F | | | | 85°F | | | | 95°F | | | | 105°F | | | | 115°F | | | | | |
| | 59 | 63 | 67 | 71 | 59 | 63 | 67 | 71 | 59 | 63 | 67 | 71 | 59 | 63 | 67 | 71 | 59 | 63 | 67 | 71 | 59 | 63 | 67 | 71 | | |
| 680 | MBh | 23.5 | 23.8 | 24.5 | 25.6 | 23.3 | 23.6 | 24.3 | 25.4 | 22.7 | 23.0 | 23.7 | 24.8 | 21.6 | 21.9 | 22.6 | 23.7 | 20.3 | 20.7 | 21.4 | 22.4 | 19.1 | 19.5 | 20.2 | 21.2 | |
| | S/T | 0.78 | 0.71 | 0.58 | 0.45 | 1.00 | 0.71 | 0.59 | 0.46 | 1.00 | 0.74 | 0.61 | 0.48 | 1.00 | 0.76 | 0.63 | 0.50 | 1.00 | 1.00 | 1.00 | 0.65 | 0.52 | 1.00 | 1.00 | 0.70 | 0.57 |
| | ΔT | 26 | 24 | 21 | 18 | 26 | 24 | 21 | 18 | 26 | 25 | 21 | 18 | 26 | 24 | 21 | 18 | 26 | 24 | 21 | 18 | 27 | 25 | 22 | 19 | |
| | kW | 1.60 | 1.60 | 1.59 | 1.61 | 1.81 | 1.81 | 1.80 | 1.82 | 2.04 | 2.04 | 2.04 | 2.05 | 2.29 | 2.29 | 2.29 | 2.30 | 2.57 | 2.57 | 2.57 | 2.58 | 2.90 | 2.90 | 2.90 | 2.92 | |
| | Amps | 6.0 | 6.0 | 6.0 | 6.0 | 6.9 | 6.9 | 6.9 | 6.9 | 7.9 | 7.9 | 7.9 | 8.0 | 9.0 | 9.0 | 9.0 | 9.1 | 10.2 | 10.2 | 10.2 | 10.3 | 11.7 | 11.7 | 11.7 | 11.6 | |
| | Hi PR | 256 | 257 | 258 | 263 | 296 | 297 | 299 | 303 | 338 | 339 | 341 | 345 | 384 | 385 | 386 | 391 | 433 | 434 | 435 | 440 | 485 | 486 | 488 | 492 | |
| | Lo PR | 120 | 121 | 124 | 130 | 127 | 129 | 132 | 137 | 134 | 135 | 138 | 143 | 139 | 140 | 143 | 149 | 144 | 146 | 149 | 154 | 151 | 152 | 155 | 160 | |
| | MBh | 23.8 | 24.2 | 24.9 | 25.9 | 23.6 | 24.0 | 24.7 | 25.7 | 23.0 | 23.4 | 24.1 | 25.1 | 22.0 | 22.3 | 23.0 | 24.1 | 20.7 | 21.0 | 21.7 | 22.8 | 19.5 | 19.8 | 20.5 | 21.6 | |
| | S/T | 0.85 | 0.78 | 0.65 | 0.52 | 1.00 | 0.78 | 0.66 | 0.53 | 1.00 | 0.81 | 0.68 | 0.55 | 1.00 | 0.83 | 0.70 | 0.57 | 1.00 | 1.00 | 0.72 | 0.59 | 1.00 | 1.00 | 0.77 | 0.64 | |
| | ΔT | 25 | 23 | 20 | 17 | 25 | 23 | 20 | 17 | 25 | 23 | 20 | 17 | 25 | 23 | 20 | 17 | 25 | 23 | 20 | 16 | 26 | 24 | 21 | 17 | |
| kW | 1.61 | 1.61 | 1.61 | 1.62 | 1.82 | 1.82 | 1.82 | 1.83 | 2.05 | 2.05 | 2.05 | 2.06 | 2.31 | 2.31 | 2.30 | 2.32 | 2.59 | 2.59 | 2.58 | 2.60 | 2.92 | 2.92 | 2.91 | 2.93 | | |
| Amps | 6.1 | 6.0 | 6.0 | 6.1 | 7.0 | 7.0 | 7.0 | 7.0 | 8.0 | 8.0 | 8.0 | 7.9 | 8.0 | 9.1 | 9.1 | 9.1 | 10.3 | 10.3 | 10.3 | 10.3 | 11.7 | 11.7 | 11.7 | 11.8 | | |
| Hi PR | 258 | 259 | 261 | 266 | 298 | 300 | 301 | 306 | 341 | 342 | 344 | 348 | 386 | 387 | 389 | 393 | 435 | 436 | 438 | 442 | 487 | 489 | 490 | 495 | | |
| Lo PR | 122 | 123 | 127 | 132 | 129 | 131 | 134 | 139 | 136 | 137 | 140 | 145 | 141 | 143 | 146 | 151 | 146 | 148 | 151 | 156 | 153 | 154 | 157 | 163 | | |
| MBh | 24.3 | 24.6 | 25.3 | 26.4 | 24.1 | 24.4 | 25.1 | 26.2 | 23.5 | 23.8 | 24.5 | 25.6 | 22.4 | 22.8 | 23.5 | 24.5 | 21.1 | 21.5 | 22.2 | 23.2 | 20.0 | 20.3 | 21.0 | 22.1 | | |
| S/T | 1.00 | 0.81 | 0.69 | 0.56 | 1.00 | 0.82 | 0.69 | 0.56 | 1.00 | 0.84 | 0.72 | 0.59 | 1.00 | 0.86 | 0.74 | 0.60 | 1.00 | 1.00 | 0.76 | 0.62 | 1.00 | 1.00 | 0.80 | 0.67 | | |
| ΔT | 24 | 22 | 19 | 16 | 24 | 22 | 19 | 16 | 24 | 22 | 19 | 16 | 24 | 22 | 19 | 16 | 24 | 22 | 19 | 15 | 25 | 23 | 20 | 16 | | |
| kW | 1.62 | 1.62 | 1.62 | 1.63 | 1.83 | 1.83 | 1.83 | 1.84 | 2.06 | 2.06 | 2.06 | 2.08 | 2.32 | 2.32 | 2.31 | 2.33 | 2.60 | 2.60 | 2.59 | 2.61 | 2.93 | 2.93 | 2.92 | 2.94 | | |
| Amps | 6.1 | 6.1 | 6.1 | 6.1 | 7.0 | 7.0 | 7.0 | 7.1 | 8.0 | 8.0 | 8.0 | 8.1 | 9.1 | 9.1 | 9.1 | 9.2 | 10.3 | 10.3 | 10.3 | 10.4 | 11.8 | 11.8 | 11.8 | 11.8 | | |
| Hi PR | 261 | 262 | 264 | 268 | 301 | 302 | 304 | 308 | 343 | 344 | 346 | 351 | 389 | 390 | 392 | 396 | 438 | 439 | 441 | 445 | 490 | 491 | 493 | 497 | | |
| Lo PR | 124 | 126 | 129 | 134 | 132 | 133 | 136 | 141 | 138 | 139 | 143 | 148 | 143 | 145 | 148 | 153 | 149 | 150 | 153 | 158 | 155 | 157 | 160 | 165 | | |

| | | | | | | | | | | | | | | | | | | | | | | | | | |
|-------|-------|------|------|------|------|------|------|------|------|------|------|------|------|------|------|------|------|------|------|------|------|------|------|------|------|
| 680 | MBh | 23.9 | 24.2 | 24.9 | 26.0 | 23.7 | 24.0 | 24.7 | 25.8 | 23.1 | 23.4 | 24.1 | 25.2 | 22.0 | 22.3 | 23.0 | 24.1 | 20.7 | 21.0 | 21.7 | 22.8 | 19.5 | 19.9 | 20.6 | 21.6 |
| | S/T | 1.00 | 0.80 | 0.68 | 0.55 | 1.00 | 0.81 | 0.68 | 0.55 | 1.00 | 0.80 | 0.71 | 0.57 | 1.00 | 1.00 | 0.72 | 0.59 | 1.00 | 1.00 | 0.74 | 0.61 | 1.00 | 1.00 | 0.79 | 0.66 |
| | ΔT | 29 | 28 | 25 | 21 | 29 | 28 | 25 | 21 | 30 | 28 | 25 | 21 | 29 | 28 | 25 | 21 | 29 | 27 | 24 | 21 | 30 | 29 | 25 | 22 |
| | kW | 1.60 | 1.60 | 1.60 | 1.61 | 1.81 | 1.81 | 1.81 | 1.82 | 2.04 | 2.04 | 2.04 | 2.06 | 2.30 | 2.29 | 2.29 | 2.31 | 2.58 | 2.58 | 2.57 | 2.59 | 2.91 | 2.91 | 2.90 | 2.92 |
| | Amps | 6.0 | 6.0 | 6.0 | 6.1 | 6.9 | 6.9 | 6.9 | 7.0 | 7.9 | 7.9 | 7.9 | 8.0 | 9.0 | 9.0 | 9.0 | 9.1 | 10.2 | 10.2 | 10.2 | 10.3 | 11.7 | 11.7 | 11.7 | 11.7 |
| | Hi PR | 257 | 258 | 260 | 264 | 297 | 298 | 300 | 304 | 339 | 340 | 342 | 347 | 385 | 386 | 388 | 392 | 434 | 435 | 437 | 441 | 486 | 487 | 489 | 493 |
| | Lo PR | 122 | 123 | 126 | 131 | 129 | 130 | 133 | 139 | 135 | 137 | 140 | 145 | 141 | 142 | 145 | 150 | 146 | 148 | 151 | 156 | 153 | 154 | 157 | 162 |
| | MBh | 24.2 | 24.6 | 25.3 | 26.3 | 24.0 | 24.4 | 25.1 | 26.1 | 23.4 | 23.7 | 24.4 | 25.5 | 22.4 | 22.7 | 23.4 | 24.5 | 21.1 | 21.4 | 22.1 | 23.2 | 19.9 | 20.2 | 20.9 | 22.0 |
| | S/T | 1.00 | 0.87 | 0.75 | 0.62 | 1.00 | 0.88 | 0.75 | 0.62 | 1.00 | 1.00 | 0.78 | 0.64 | 1.00 | 1.00 | 0.79 | 0.66 | 1.00 | 1.00 | 0.81 | 0.68 | 1.00 | 1.00 | 1.00 | 0.73 |
| | ΔT | 28 | 27 | 23 | 20 | 28 | 26 | 23 | 20 | 28 | 27 | 24 | 20 | 28 | 26 | 23 | 20 | 28 | 26 | 23 | 20 | 29 | 27 | 24 | 21 |
| kW | 1.62 | 1.61 | 1.61 | 1.63 | 1.82 | 1.82 | 1.82 | 1.84 | 2.06 | 2.06 | 2.05 | 2.07 | 2.31 | 2.31 | 2.30 | 2.32 | 2.59 | 2.59 | 2.59 | 2.60 | 2.92 | 2.92 | 2.92 | 2.93 | |
| Amps | 6.1 | 6.1 | 6.0 | 6.1 | 7.0 | 7.0 | 7.0 | 7.0 | 8.0 | 8.0 | 8.0 | 8.0 | 9.1 | 9.1 | 9.1 | 9.1 | 10.3 | 10.3 | 10.3 | 10.4 | 11.7 | 11.7 | 11.7 | 11.8 | |
| Hi PR | 259 | 260 | 262 | 267 | 300 | 301 | 303 | 307 | 342 | 343 | 345 | 349 | 387 | 388 | 390 | 395 | 436 | 437 | 439 | 444 | 489 | 490 | 492 | 496 | |
| Lo PR | 124 | 125 | 128 | 133 | 131 | 133 | 136 | 141 | 137 | 139 | 142 | 147 | 143 | 144 | 147 | 152 | 148 | 150 | 153 | 158 | 155 | 156 | 159 | 164 | |
| MBh | 24.7 | 25.0 | 25.7 | 26.8 | 24.5 | 24.8 | 25.5 | 26.6 | 23.9 | 24.2 | 24.9 | 26.0 | 22.8 | 23.1 | 23.8 | 24.9 | 21.5 | 21.9 | 22.6 | 23.6 | 20.4 | 20.7 | 21.4 | 22.5 | |
| S/T | 1.00 | 0.91 | 0.78 | 0.65 | 1.00 | 0.91 | 0.79 | 0.66 | 1.00 | 1.00 | 0.81 | 0.68 | 1.00 | 1.00 | 0.83 | 0.70 | 1.00 | 1.00 | 0.85 | 0.72 | 1.00 | 1.00 | 1.00 | 0.76 | |
| ΔT | 27 | 25 | 22 | 19 | 27 | 25 | 22 | 19 | 27 | 26 | 22 | 19 | 27 | 25 | 22 | 19 | 27 | 25 | 22 | 19 | 28 | 26 | 23 | 20 | |
| kW | 1.63 | 1.63 | 1.62 | 1.64 | 1.84 | 1.83 | 1.83 | 1.85 | 2.07 | 2.07 | 2.06 | 2.08 | 2.32 | 2.32 | 2.32 | 2.33 | 2.60 | 2.60 | 2.60 | 2.61 | 2.93 | 2.93 | 2.93 | 2.94 | |
| Amps | 6.1 | 6.1 | 6.1 | 6.2 | 7.0 | 7.0 | 7.0 | 7.1 | 8.0 | 8.0 | 8.0 | 8.1 | 9.1 | 9.1 | 9.1 | 9.2 | 10.4 | 10.4 | 10.3 | 10.4 | 11.8 | 11.8 | 11.8 | 11.8 | |
| Hi PR | 262 | 263 | 265 | 269 | 302 | 303 | 305 | 310 | 344 | 346 | 347 | 352 | 390 | 391 | 393 | 397 | 439 | 440 | 442 | 446 | 491 | 492 | 494 | 499 | |
| Lo PR | 126 | 128 | 131 | 136 | 133 | 135 | 138 | 143 | 140 | 141 | 144 | 149 | 145 | 147 | 150 | 155 | 150 | 152 | 155 | 160 | 157 | 159 | 162 | 167 | |

IDB*: Entering Indoor Dry Bulb Temperature
 High and low pressures are measured at the liquid and suction service valves.
 Airflow may vary depending on actual ambient conditions and system operation modes.
 Shaded area is AHRI conditions
 kW = Total system power
 Amps = outdoor unit amps

ENHANCED – EXPANDED COOLING DATA – ASZS60361EA* / AHVE48DP1400A*

| IDB* | AIRFLOW | OUTDOOR AMBIENT TEMPERATURE | | | | | | | | | | | | | | | | | | | | | | | |
|-------------|---------|-----------------------------|------|------|------|------|------|------|------|------|------|------|------|------|------|------|------|-------|------|----|----|-------|----|----|----|
| | | 65°F | | | | 75°F | | | | 85°F | | | | 95°F | | | | 105°F | | | | 115°F | | | |
| | | 59 | 63 | 67 | 71 | 59 | 63 | 67 | 71 | 59 | 63 | 67 | 71 | 59 | 63 | 67 | 71 | 59 | 63 | 67 | 71 | 59 | 63 | 67 | 71 |
| 1070 | MBh | 35.1 | 35.2 | 36.2 | 34.4 | 34.9 | 35.9 | 33.5 | 34.0 | 35.0 | 31.9 | 32.4 | 33.5 | 30.0 | 30.5 | 31.5 | 28.3 | 28.8 | 29.8 | | | | | | |
| | S/T | 0.60 | 0.54 | 0.40 | 0.63 | 0.55 | 0.41 | 0.65 | 0.57 | 0.43 | 0.68 | 0.60 | 0.45 | 0.70 | 0.62 | 0.48 | 1.00 | 0.67 | 0.53 | | | | | | |
| | ΔT | 20 | 17 | 14 | 19 | 17 | 14 | 19 | 17 | 14 | 19 | 17 | 14 | 19 | 17 | 14 | 20 | 18 | 15 | | | | | | |
| | kW | 2.16 | 2.39 | 2.38 | 2.70 | 2.69 | 2.69 | 3.04 | 3.04 | 3.03 | 3.41 | 3.41 | 3.40 | 3.82 | 3.82 | 3.82 | 4.31 | 4.31 | 4.30 | | | | | | |
| | Amps | 8.0 | 8.9 | 8.9 | 10.3 | 10.3 | 10.2 | 11.8 | 11.8 | 11.7 | 13.4 | 13.4 | 13.3 | 15.2 | 15.2 | 15.1 | 17.3 | 17.3 | 17.3 | | | | | | |
| | Hi PR | 262 | 255 | 256 | 294 | 295 | 297 | 336 | 337 | 339 | 381 | 382 | 384 | 430 | 431 | 432 | 482 | 483 | 484 | | | | | | |
| Lo PR | 117 | 119 | 122 | 124 | 126 | 129 | 131 | 132 | 135 | 136 | 137 | 140 | 141 | 143 | 146 | 148 | 149 | 152 | | | | | | | |
| 70 | MBh | 35.3 | 35.7 | 36.8 | 34.9 | 35.4 | 36.5 | 34.0 | 34.5 | 35.6 | 32.5 | 33.0 | 34.0 | 30.6 | 31.0 | 32.1 | 28.8 | 29.3 | 30.3 | | | | | | |
| | S/T | 0.70 | 0.62 | 0.48 | 0.71 | 0.63 | 0.49 | 0.73 | 0.65 | 0.51 | 0.76 | 0.67 | 0.53 | 1.00 | 0.70 | 0.56 | 1.00 | 0.75 | 0.61 | | | | | | |
| | ΔT | 18 | 16 | 13 | 18 | 16 | 13 | 18 | 16 | 13 | 18 | 16 | 13 | 17 | 16 | 12 | 18 | 17 | 14 | | | | | | |
| | kW | 2.41 | 2.41 | 2.40 | 2.72 | 2.71 | 2.71 | 3.06 | 3.06 | 3.05 | 3.43 | 3.43 | 3.42 | 3.84 | 3.84 | 3.83 | 4.33 | 4.33 | 4.32 | | | | | | |
| | Amps | 9.0 | 9.0 | 9.0 | 10.4 | 10.4 | 10.3 | 11.8 | 11.8 | 11.8 | 13.5 | 13.5 | 13.4 | 15.3 | 15.3 | 15.2 | 17.4 | 17.4 | 17.3 | | | | | | |
| | Hi PR | 256 | 257 | 259 | 296 | 297 | 299 | 338 | 339 | 341 | 383 | 385 | 386 | 432 | 433 | 435 | 484 | 485 | 487 | | | | | | |
| Lo PR | 119 | 121 | 124 | 126 | 128 | 131 | 133 | 134 | 137 | 138 | 139 | 142 | 143 | 145 | 148 | 150 | 151 | 154 | | | | | | | |
| 1450 | MBh | 35.9 | 36.4 | 37.5 | 35.6 | 36.1 | 37.1 | 34.7 | 35.2 | 36.2 | 33.1 | 33.6 | 34.7 | 31.2 | 31.7 | 32.8 | 29.5 | 30.0 | 31.0 | | | | | | |
| | S/T | 0.74 | 0.66 | 0.52 | 0.75 | 0.67 | 0.53 | 0.77 | 0.69 | 0.55 | 0.80 | 0.71 | 0.57 | 1.00 | 0.74 | 0.60 | 1.00 | 0.79 | 0.65 | | | | | | |
| | ΔT | 17 | 15 | 12 | 17 | 15 | 12 | 17 | 15 | 12 | 17 | 15 | 12 | 16 | 15 | 11 | 17 | 16 | 12 | | | | | | |
| | kW | 2.42 | 2.42 | 2.42 | 2.73 | 2.73 | 2.72 | 3.07 | 3.07 | 3.07 | 3.44 | 3.44 | 3.44 | 3.86 | 3.86 | 3.85 | 4.34 | 4.34 | 4.34 | | | | | | |
| | Amps | 9.1 | 9.1 | 9.1 | 10.4 | 10.4 | 10.4 | 11.9 | 11.9 | 11.9 | 13.5 | 13.5 | 13.5 | 15.3 | 15.3 | 15.3 | 17.4 | 17.4 | 17.4 | | | | | | |
| | Hi PR | 259 | 260 | 262 | 299 | 300 | 302 | 341 | 342 | 344 | 386 | 387 | 389 | 435 | 436 | 438 | 487 | 488 | 490 | | | | | | |
| Lo PR | 122 | 123 | 126 | 129 | 130 | 133 | 135 | 137 | 140 | 140 | 142 | 145 | 146 | 147 | 150 | 152 | 154 | 157 | | | | | | | |

| | | | | | | | | | | | | | | | | | | | | | | | | | |
|-------------|-------|------|------|------|------|------|------|------|------|------|------|------|------|------|------|------|------|------|------|------|------|------|------|------|------|
| 1070 | MBh | 35.1 | 35.2 | 36.3 | 37.9 | 34.4 | 34.9 | 36.0 | 37.5 | 33.5 | 34.0 | 35.0 | 36.6 | 31.9 | 32.4 | 33.5 | 35.1 | 30.0 | 30.5 | 31.6 | 33.2 | 28.3 | 28.8 | 29.8 | 31.4 |
| | S/T | 0.73 | 0.68 | 0.53 | 0.38 | 0.76 | 0.68 | 0.54 | 0.39 | 0.79 | 0.71 | 0.57 | 0.42 | 1.00 | 0.73 | 0.59 | 0.44 | 1.00 | 0.75 | 0.61 | 0.46 | 1.00 | 0.81 | 0.67 | 0.52 |
| | ΔT | 24 | 21 | 18 | 14 | 23 | 21 | 18 | 14 | 23 | 21 | 18 | 15 | 23 | 21 | 18 | 14 | 22 | 21 | 18 | 14 | 24 | 22 | 19 | 15 |
| | kW | 2.16 | 2.38 | 2.38 | 2.40 | 2.69 | 2.69 | 2.69 | 2.71 | 3.04 | 3.03 | 3.03 | 3.05 | 3.41 | 3.40 | 3.40 | 3.42 | 3.82 | 3.82 | 3.81 | 3.84 | 4.31 | 4.30 | 4.30 | 4.32 |
| | Amps | 8.0 | 8.9 | 8.9 | 9.0 | 10.3 | 10.3 | 10.2 | 10.3 | 11.8 | 11.7 | 11.7 | 11.8 | 13.4 | 13.4 | 13.3 | 13.4 | 15.2 | 15.2 | 15.1 | 15.2 | 17.3 | 17.3 | 17.2 | 17.3 |
| | Hi PR | 263 | 255 | 257 | 261 | 294 | 295 | 297 | 301 | 336 | 337 | 339 | 343 | 381 | 382 | 384 | 388 | 430 | 431 | 433 | 437 | 482 | 483 | 485 | 489 |
| Lo PR | 117 | 119 | 122 | 127 | 124 | 126 | 129 | 134 | 131 | 132 | 135 | 140 | 136 | 137 | 140 | 145 | 141 | 143 | 146 | 151 | 148 | 149 | 152 | 157 | |
| 75 | MBh | 35.3 | 35.8 | 36.8 | 38.4 | 35.0 | 35.5 | 36.5 | 38.1 | 34.1 | 34.5 | 35.6 | 37.2 | 32.5 | 33.0 | 34.0 | 35.6 | 30.6 | 31.1 | 32.1 | 33.7 | 28.8 | 29.3 | 30.4 | 32.0 |
| | S/T | 0.84 | 0.76 | 0.61 | 0.46 | 0.84 | 0.76 | 0.62 | 0.47 | 0.87 | 0.79 | 0.65 | 0.50 | 1.00 | 0.81 | 0.67 | 0.52 | 1.00 | 0.83 | 0.69 | 0.54 | 1.00 | 0.89 | 0.75 | 0.60 |
| | ΔT | 21 | 20 | 17 | 13 | 21 | 20 | 16 | 13 | 22 | 20 | 17 | 13 | 21 | 20 | 16 | 13 | 21 | 19 | 16 | 13 | 22 | 21 | 17 | 14 |
| | kW | 2.41 | 2.40 | 2.40 | 2.42 | 2.71 | 2.71 | 2.71 | 2.73 | 3.06 | 3.05 | 3.05 | 3.07 | 3.43 | 3.42 | 3.42 | 3.44 | 3.84 | 3.84 | 3.83 | 3.86 | 4.33 | 4.32 | 4.32 | 4.34 |
| | Amps | 9.0 | 9.0 | 9.0 | 9.1 | 10.4 | 10.3 | 10.3 | 10.4 | 11.8 | 11.8 | 11.8 | 11.9 | 13.5 | 13.4 | 13.4 | 13.5 | 15.3 | 15.2 | 15.2 | 15.3 | 17.4 | 17.4 | 17.3 | 17.4 |
| | Hi PR | 256 | 257 | 259 | 264 | 296 | 298 | 299 | 304 | 338 | 340 | 341 | 346 | 384 | 385 | 387 | 391 | 432 | 434 | 435 | 440 | 484 | 486 | 487 | 492 |
| Lo PR | 119 | 121 | 124 | 129 | 126 | 128 | 131 | 136 | 133 | 134 | 137 | 142 | 138 | 140 | 143 | 148 | 143 | 145 | 148 | 153 | 150 | 151 | 154 | 159 | |
| 1450 | MBh | 35.9 | 36.4 | 37.5 | 39.1 | 35.6 | 36.1 | 37.2 | 38.8 | 34.7 | 35.2 | 36.3 | 37.8 | 33.2 | 33.7 | 34.7 | 36.3 | 31.2 | 31.7 | 32.8 | 34.4 | 29.5 | 30.0 | 31.0 | 32.6 |
| | S/T | 0.88 | 0.80 | 0.65 | 0.50 | 0.88 | 0.80 | 0.66 | 0.51 | 1.00 | 0.83 | 0.69 | 0.54 | 1.00 | 0.85 | 0.71 | 0.56 | 1.00 | 0.87 | 0.73 | 0.58 | 1.00 | 0.93 | 0.79 | 0.63 |
| | ΔT | 20 | 19 | 15 | 12 | 20 | 19 | 15 | 12 | 21 | 19 | 16 | 12 | 20 | 19 | 15 | 12 | 20 | 18 | 15 | 12 | 21 | 19 | 16 | 13 |
| | kW | 2.42 | 2.42 | 2.41 | 2.44 | 2.73 | 2.73 | 2.72 | 2.75 | 3.07 | 3.07 | 3.06 | 3.09 | 3.44 | 3.44 | 3.43 | 3.46 | 3.86 | 3.85 | 3.85 | 3.87 | 4.34 | 4.34 | 4.33 | 4.36 |
| | Amps | 9.1 | 9.1 | 9.1 | 9.2 | 10.4 | 10.4 | 10.4 | 10.5 | 11.9 | 11.9 | 11.9 | 12.0 | 13.5 | 13.5 | 13.5 | 13.6 | 15.3 | 15.3 | 15.3 | 15.4 | 17.4 | 17.4 | 17.4 | 17.5 |
| | Hi PR | 259 | 260 | 262 | 266 | 299 | 300 | 302 | 306 | 341 | 342 | 344 | 348 | 386 | 387 | 389 | 393 | 435 | 436 | 438 | 442 | 487 | 488 | 490 | 494 |
| Lo PR | 122 | 123 | 126 | 131 | 129 | 130 | 133 | 138 | 135 | 137 | 140 | 145 | 140 | 142 | 145 | 150 | 146 | 147 | 150 | 155 | 152 | 154 | 157 | 162 | |

IDB*: Entering Indoor Dry Bulb Temperature
 High and low pressures are measured at the liquid and suction service valves.
 Airflow may vary depending on actual ambient conditions and system operation modes.

Shaded area is ACCA (TVA) conditions
 kW = Total system power
 Amps = outdoor unit amps

ENHANCED – EXPANDED COOLING DATA – ASZS60361EA* / AHVE48DP1400A* (CONT.)

| IDB* | AIRFLOW | OUTDOOR AMBIENT TEMPERATURE | | | | | | | | | | | | | | | | | | | | | | | |
|-----------|---------|-----------------------------|------|------|------|------|------|------|------|------|------|------|------|------|------|------|------|-------|------|------|------|-------|------|------|------|
| | | 65°F | | | | 75°F | | | | 85°F | | | | 95°F | | | | 105°F | | | | 115°F | | | |
| | | 59 | 63 | 67 | 71 | 59 | 63 | 67 | 71 | 59 | 63 | 67 | 71 | 59 | 63 | 67 | 71 | 59 | 63 | 67 | 71 | 59 | 63 | 67 | 71 |
| 80 | MBh | 35.3 | 35.4 | 36.4 | 38.0 | 34.6 | 35.1 | 36.1 | 37.7 | 33.7 | 34.2 | 35.2 | 36.8 | 32.1 | 32.6 | 33.7 | 35.2 | 30.2 | 30.7 | 31.8 | 33.3 | 28.5 | 29.0 | 30.0 | 31.6 |
| | S/T | 0.86 | 0.81 | 0.67 | 0.52 | 1.00 | 0.82 | 0.67 | 0.52 | 1.00 | 0.84 | 0.70 | 0.55 | 1.00 | 0.86 | 0.72 | 0.57 | 1.00 | 0.89 | 0.74 | 0.59 | 1.00 | 1.00 | 0.80 | 0.65 |
| | ΔT | 28 | 25 | 22 | 18 | 27 | 25 | 22 | 18 | 27 | 25 | 22 | 18 | 27 | 25 | 22 | 18 | 26 | 25 | 21 | 18 | 27 | 26 | 22 | 19 |
| | kW | 2.16 | 2.39 | 2.38 | 2.40 | 2.70 | 2.69 | 2.69 | 2.71 | 3.04 | 3.04 | 3.03 | 3.05 | 3.41 | 3.41 | 3.40 | 3.42 | 3.82 | 3.82 | 3.81 | 3.84 | 4.31 | 4.31 | 4.30 | 4.32 |
| | Amps | 8.0 | 8.9 | 8.9 | 9.0 | 10.3 | 10.3 | 10.2 | 10.3 | 11.8 | 11.8 | 11.7 | 11.8 | 13.4 | 13.4 | 13.3 | 13.4 | 15.2 | 15.2 | 15.1 | 15.2 | 17.3 | 17.3 | 17.3 | 17.4 |
| | Hi PR | 263 | 255 | 257 | 262 | 294 | 295 | 297 | 302 | 336 | 337 | 339 | 344 | 382 | 383 | 384 | 389 | 430 | 431 | 433 | 438 | 482 | 483 | 485 | 490 |
| | Lo PR | 117 | 119 | 122 | 127 | 125 | 126 | 129 | 134 | 131 | 133 | 136 | 141 | 137 | 138 | 141 | 146 | 142 | 143 | 146 | 151 | 148 | 150 | 153 | 158 |
| | MBh | 35.5 | 35.9 | 37.0 | 38.6 | 35.1 | 35.6 | 36.7 | 38.3 | 34.2 | 34.7 | 35.8 | 37.4 | 32.7 | 33.2 | 34.2 | 35.8 | 30.8 | 31.2 | 32.3 | 33.9 | 29.0 | 29.5 | 30.5 | 32.1 |
| | S/T | 0.97 | 0.89 | 0.75 | 0.60 | 1.00 | 0.90 | 0.75 | 0.60 | 1.00 | 0.92 | 0.78 | 0.63 | 1.00 | 0.94 | 0.80 | 0.65 | 1.00 | 0.97 | 0.82 | 0.67 | 1.00 | 1.00 | 0.88 | 0.73 |
| | ΔT | 25 | 24 | 20 | 17 | 25 | 24 | 20 | 17 | 26 | 24 | 21 | 17 | 25 | 24 | 20 | 17 | 25 | 23 | 20 | 17 | 26 | 24 | 21 | 18 |
| kW | 2.41 | 2.41 | 2.40 | 2.42 | 2.72 | 2.71 | 2.71 | 2.73 | 3.06 | 3.06 | 3.05 | 3.07 | 3.43 | 3.43 | 3.42 | 3.44 | 3.84 | 3.84 | 3.83 | 3.86 | 4.33 | 4.33 | 4.32 | 4.34 | |
| Amps | 9.0 | 9.0 | 9.0 | 9.1 | 10.4 | 10.3 | 10.3 | 10.4 | 11.8 | 11.8 | 11.8 | 11.9 | 13.5 | 13.4 | 13.4 | 13.5 | 15.3 | 15.2 | 15.2 | 15.3 | 17.4 | 17.4 | 17.3 | 17.4 | |
| Hi PR | 257 | 258 | 260 | 264 | 297 | 298 | 300 | 304 | 339 | 340 | 342 | 346 | 384 | 385 | 387 | 391 | 433 | 434 | 436 | 440 | 485 | 486 | 488 | 492 | |
| Lo PR | 120 | 121 | 124 | 129 | 127 | 128 | 131 | 136 | 133 | 135 | 138 | 143 | 139 | 140 | 143 | 148 | 144 | 145 | 148 | 153 | 150 | 152 | 155 | 160 | |
| MBh | 36.1 | 36.6 | 37.7 | 39.2 | 35.8 | 36.3 | 37.3 | 38.9 | 34.9 | 35.4 | 36.4 | 38.0 | 33.3 | 33.8 | 34.9 | 36.5 | 31.4 | 31.9 | 33.0 | 34.5 | 29.7 | 30.2 | 31.2 | 32.8 | |
| S/T | 1.00 | 0.93 | 0.79 | 0.64 | 1.00 | 0.94 | 0.79 | 0.64 | 1.00 | 0.96 | 0.82 | 0.67 | 1.00 | 0.98 | 0.84 | 0.69 | 1.00 | 1.00 | 0.86 | 0.71 | 1.00 | 1.00 | 0.92 | 0.77 | |
| ΔT | 24 | 23 | 19 | 16 | 24 | 22 | 19 | 16 | 24 | 23 | 20 | 16 | 24 | 22 | 19 | 16 | 24 | 22 | 19 | 16 | 25 | 23 | 20 | 17 | |
| kW | 2.42 | 2.42 | 2.42 | 2.44 | 2.73 | 2.73 | 2.72 | 2.75 | 3.07 | 3.07 | 3.07 | 3.09 | 3.44 | 3.44 | 3.44 | 3.46 | 3.86 | 3.86 | 3.85 | 3.87 | 4.34 | 4.34 | 4.34 | 4.36 | |
| Amps | 9.1 | 9.1 | 9.1 | 9.2 | 10.4 | 10.4 | 10.4 | 10.5 | 11.9 | 11.9 | 11.9 | 12.0 | 13.5 | 13.5 | 13.5 | 13.6 | 15.3 | 15.3 | 15.3 | 15.4 | 17.4 | 17.4 | 17.4 | 17.5 | |
| Hi PR | 259 | 260 | 262 | 267 | 299 | 301 | 302 | 307 | 341 | 343 | 344 | 349 | 387 | 388 | 390 | 394 | 435 | 436 | 438 | 443 | 487 | 489 | 490 | 495 | |
| Lo PR | 122 | 124 | 127 | 132 | 129 | 131 | 134 | 139 | 136 | 137 | 140 | 145 | 141 | 142 | 145 | 150 | 146 | 148 | 151 | 156 | 153 | 154 | 157 | 162 | |

| | | | | | | | | | | | | | | | | | | | | | | | | | |
|-----------|-------|------|------|------|------|------|------|------|------|------|------|------|------|------|------|------|------|------|------|------|------|------|------|------|------|
| 85 | MBh | 35.9 | 36.0 | 37.0 | 38.6 | 35.2 | 35.7 | 36.7 | 38.3 | 34.3 | 34.8 | 35.8 | 37.4 | 32.7 | 33.2 | 34.2 | 35.8 | 30.8 | 31.3 | 32.3 | 33.9 | 29.1 | 29.6 | 30.6 | 32.2 |
| | S/T | 1.00 | 0.92 | 0.77 | 0.62 | 1.00 | 0.92 | 0.78 | 0.63 | 1.00 | 0.95 | 0.81 | 0.66 | 1.00 | 1.00 | 0.83 | 0.68 | 1.00 | 1.00 | 0.85 | 0.70 | 1.00 | 1.00 | 0.90 | 0.75 |
| | ΔT | 32 | 28 | 25 | 22 | 30 | 28 | 25 | 22 | 30 | 28 | 25 | 22 | 30 | 28 | 25 | 22 | 30 | 28 | 25 | 21 | 31 | 29 | 26 | 22 |
| | kW | 2.16 | 2.39 | 2.39 | 2.41 | 2.70 | 2.70 | 2.69 | 2.72 | 3.04 | 3.04 | 3.04 | 3.06 | 3.41 | 3.41 | 3.41 | 3.43 | 3.83 | 3.83 | 3.82 | 3.84 | 4.31 | 4.31 | 4.31 | 4.33 |
| | Amps | 8.0 | 9.0 | 8.9 | 9.0 | 10.3 | 10.3 | 10.3 | 10.4 | 11.8 | 11.8 | 11.8 | 11.9 | 13.4 | 13.4 | 13.4 | 13.5 | 15.2 | 15.2 | 15.2 | 15.3 | 17.3 | 17.3 | 17.3 | 17.4 |
| | Hi PR | 264 | 257 | 258 | 263 | 296 | 297 | 298 | 303 | 337 | 339 | 340 | 345 | 383 | 384 | 386 | 390 | 431 | 433 | 434 | 439 | 483 | 485 | 486 | 491 |
| | Lo PR | 119 | 121 | 124 | 129 | 127 | 128 | 131 | 136 | 133 | 134 | 137 | 142 | 138 | 140 | 143 | 148 | 143 | 145 | 148 | 153 | 150 | 151 | 154 | 159 |
| | MBh | 36.0 | 36.5 | 37.6 | 39.2 | 35.7 | 36.2 | 37.3 | 38.8 | 34.8 | 35.3 | 36.3 | 37.9 | 33.3 | 33.7 | 34.8 | 36.4 | 31.3 | 31.8 | 32.9 | 34.5 | 29.6 | 30.1 | 31.1 | 32.7 |
| | S/T | 1.00 | 1.00 | 0.85 | 0.70 | 1.00 | 1.00 | 0.86 | 0.71 | 1.00 | 1.00 | 0.89 | 0.74 | 1.00 | 1.00 | 0.91 | 0.76 | 1.00 | 1.00 | 0.93 | 0.78 | 1.00 | 1.00 | 0.98 | 0.83 |
| | ΔT | 29 | 27 | 24 | 20 | 29 | 27 | 24 | 20 | 29 | 27 | 24 | 21 | 29 | 27 | 24 | 20 | 28 | 27 | 23 | 20 | 30 | 28 | 25 | 21 |
| kW | 2.41 | 2.41 | 2.41 | 2.43 | 2.72 | 2.72 | 2.71 | 2.74 | 3.06 | 3.06 | 3.06 | 3.08 | 3.43 | 3.43 | 3.43 | 3.45 | 3.85 | 3.85 | 3.84 | 3.86 | 4.33 | 4.33 | 4.33 | 4.35 | |
| Amps | 9.1 | 9.0 | 9.0 | 9.1 | 10.4 | 10.4 | 10.4 | 10.5 | 11.9 | 11.9 | 11.8 | 11.9 | 13.5 | 13.5 | 13.5 | 13.6 | 15.3 | 15.3 | 15.3 | 15.4 | 17.4 | 17.4 | 17.4 | 17.5 | |
| Hi PR | 258 | 259 | 261 | 265 | 298 | 299 | 301 | 305 | 340 | 341 | 343 | 347 | 385 | 386 | 388 | 393 | 434 | 435 | 437 | 441 | 486 | 487 | 489 | 493 | |
| Lo PR | 122 | 123 | 126 | 131 | 129 | 130 | 133 | 138 | 135 | 136 | 139 | 144 | 140 | 142 | 145 | 150 | 146 | 147 | 150 | 155 | 152 | 154 | 156 | 162 | |
| MBh | 36.7 | 37.2 | 38.2 | 39.8 | 36.4 | 36.9 | 37.9 | 39.5 | 35.5 | 36.0 | 37.0 | 38.6 | 33.9 | 34.4 | 35.5 | 37.0 | 32.0 | 32.5 | 33.5 | 35.1 | 30.3 | 30.8 | 31.8 | 33.4 | |
| S/T | 1.00 | 1.00 | 0.89 | 0.74 | 1.00 | 1.00 | 0.90 | 0.75 | 1.00 | 1.00 | 0.93 | 0.78 | 1.00 | 1.00 | 0.95 | 0.80 | 1.00 | 1.00 | 0.97 | 0.82 | 1.00 | 1.00 | 1.00 | 0.87 | |
| ΔT | 28 | 26 | 23 | 19 | 28 | 26 | 23 | 19 | 28 | 26 | 23 | 20 | 28 | 26 | 23 | 19 | 27 | 26 | 22 | 19 | 28 | 27 | 23 | 20 | |
| kW | 2.43 | 2.43 | 2.42 | 2.45 | 2.74 | 2.73 | 2.73 | 2.75 | 3.08 | 3.08 | 3.07 | 3.10 | 3.45 | 3.45 | 3.44 | 3.47 | 3.86 | 3.86 | 3.86 | 3.88 | 4.35 | 4.35 | 4.34 | 4.37 | |
| Amps | 9.1 | 9.1 | 9.1 | 9.2 | 10.5 | 10.4 | 10.4 | 10.5 | 11.9 | 11.9 | 11.9 | 12.0 | 13.6 | 13.5 | 13.5 | 13.6 | 15.4 | 15.3 | 15.3 | 15.4 | 17.5 | 17.5 | 17.4 | 17.5 | |
| Hi PR | 261 | 262 | 263 | 268 | 301 | 302 | 304 | 308 | 343 | 344 | 346 | 350 | 388 | 389 | 391 | 395 | 437 | 438 | 439 | 444 | 489 | 490 | 491 | 496 | |
| Lo PR | 124 | 125 | 128 | 133 | 131 | 133 | 136 | 141 | 137 | 139 | 142 | 147 | 143 | 144 | 147 | 152 | 148 | 149 | 152 | 157 | 154 | 156 | 159 | 164 | |

IDB*: Entering Indoor Dry Bulb Temperature
 High and low pressures are measured at the liquid and suction service valves.
 Airflow may vary depending on actual ambient conditions and system operation modes.
 Shaded area is AHRI conditions
 kW = Total system power
 Amps = outdoor unit amps

ENHANCED – EXPANDED COOLING DATA – ASZS60421EA* / AHVE60DP1400A*

| IDB* | AIRFLOW | OUTDOOR AMBIENT TEMPERATURE | | | | | | | | | | | | | | | | | | | | | | | |
|-------------|---------|-----------------------------|------|------|------|------|------|------|------|------|------|------|------|------|------|------|------|-------|------|------|------|-------|------|------|------|
| | | 65°F | | | | 75°F | | | | 85°F | | | | 95°F | | | | 105°F | | | | 115°F | | | |
| | | 59 | 63 | 67 | 71 | 59 | 63 | 67 | 71 | 59 | 63 | 67 | 71 | 59 | 63 | 67 | 71 | 59 | 63 | 67 | 71 | 59 | 63 | 67 | 71 |
| 1120 | MBh | 40.6 | 41.2 | 42.4 | 42.4 | 40.2 | 40.8 | 42.0 | 42.0 | 39.2 | 39.7 | 41.0 | 41.0 | 37.3 | 37.9 | 39.1 | 39.1 | 35.1 | 35.7 | 36.9 | 36.9 | 33.1 | 33.6 | 34.9 | 34.9 |
| | S/T | 0.54 | 0.47 | 0.35 | 0.35 | 0.55 | 0.48 | 0.35 | 0.35 | 0.57 | 0.50 | 0.38 | 0.38 | 0.59 | 0.52 | 0.40 | 0.40 | 0.61 | 0.54 | 0.42 | 0.42 | 0.66 | 0.59 | 0.46 | 0.46 |
| | ΔT | 20 | 18 | 15 | 15 | 20 | 18 | 15 | 15 | 20 | 18 | 15 | 15 | 20 | 18 | 15 | 15 | 20 | 18 | 14 | 14 | 21 | 19 | 15 | 15 |
| | kW | 2.79 | 2.78 | 2.78 | 2.78 | 3.15 | 3.14 | 3.14 | 3.14 | 3.55 | 3.55 | 3.54 | 3.54 | 3.99 | 3.98 | 3.98 | 3.98 | 4.47 | 4.47 | 4.47 | 4.47 | 5.05 | 5.04 | 5.04 | 5.04 |
| | Amps | 10.4 | 10.4 | 10.4 | 10.4 | 12.0 | 12.0 | 12.0 | 12.0 | 13.8 | 13.7 | 13.7 | 13.7 | 15.7 | 15.6 | 15.6 | 15.6 | 17.8 | 17.8 | 17.7 | 17.7 | 20.3 | 20.2 | 20.2 | 20.2 |
| | Hi PR | 260 | 261 | 263 | 263 | 301 | 302 | 304 | 304 | 344 | 345 | 347 | 347 | 390 | 391 | 393 | 393 | 440 | 441 | 443 | 443 | 493 | 495 | 496 | 496 |
| Lo PR | 113 | 115 | 118 | 118 | 120 | 122 | 125 | 125 | 126 | 128 | 131 | 131 | 132 | 133 | 136 | 136 | 137 | 138 | 141 | 141 | 143 | 144 | 147 | 147 | |
| 70 | MBh | 41.2 | 41.8 | 43.0 | 43.0 | 40.9 | 41.4 | 42.7 | 42.7 | 39.8 | 40.4 | 41.6 | 41.6 | 38.0 | 38.5 | 39.8 | 39.8 | 35.7 | 36.3 | 37.5 | 37.5 | 33.7 | 34.3 | 35.5 | 35.5 |
| | S/T | 0.61 | 0.54 | 0.42 | 0.42 | 0.62 | 0.55 | 0.42 | 0.42 | 0.64 | 0.57 | 0.45 | 0.45 | 0.66 | 0.59 | 0.47 | 0.47 | 0.68 | 0.61 | 0.49 | 0.49 | 1.00 | 0.66 | 0.53 | 0.53 |
| | ΔT | 18 | 17 | 13 | 13 | 18 | 17 | 13 | 13 | 19 | 17 | 13 | 13 | 18 | 17 | 13 | 13 | 18 | 16 | 13 | 13 | 19 | 17 | 14 | 14 |
| | kW | 2.81 | 2.81 | 2.80 | 2.80 | 3.17 | 3.17 | 3.16 | 3.16 | 3.57 | 3.57 | 3.56 | 3.56 | 4.01 | 4.01 | 4.00 | 4.00 | 4.50 | 4.49 | 4.49 | 4.49 | 5.07 | 5.07 | 5.06 | 5.06 |
| | Amps | 10.5 | 10.5 | 10.5 | 10.5 | 12.1 | 12.1 | 12.1 | 12.1 | 13.9 | 13.8 | 13.8 | 13.8 | 15.8 | 15.7 | 15.7 | 15.7 | 17.9 | 17.9 | 17.8 | 17.8 | 20.4 | 20.3 | 20.3 | 20.3 |
| | Hi PR | 262 | 264 | 265 | 265 | 303 | 305 | 306 | 306 | 346 | 348 | 349 | 349 | 393 | 394 | 396 | 396 | 443 | 444 | 446 | 446 | 496 | 497 | 499 | 499 |
| Lo PR | 115 | 117 | 120 | 120 | 122 | 124 | 127 | 127 | 128 | 130 | 133 | 133 | 134 | 135 | 138 | 138 | 139 | 140 | 143 | 143 | 145 | 146 | 149 | 149 | |
| 1520 | MBh | 42.0 | 42.6 | 43.8 | 43.8 | 41.7 | 42.2 | 43.4 | 43.4 | 40.6 | 41.2 | 42.4 | 42.4 | 38.8 | 39.3 | 40.6 | 40.6 | 36.5 | 37.1 | 38.3 | 38.3 | 34.5 | 35.1 | 36.3 | 36.3 |
| | S/T | 0.65 | 0.58 | 0.45 | 0.45 | 0.65 | 0.58 | 0.46 | 0.46 | 0.68 | 0.61 | 0.48 | 0.48 | 0.70 | 0.63 | 0.50 | 0.50 | 0.72 | 0.65 | 0.52 | 0.52 | 1.00 | 0.69 | 0.57 | 0.57 |
| | ΔT | 17 | 16 | 12 | 12 | 17 | 16 | 12 | 12 | 18 | 16 | 12 | 12 | 17 | 16 | 12 | 12 | 17 | 15 | 12 | 12 | 18 | 16 | 13 | 13 |
| | kW | 2.83 | 2.83 | 2.82 | 2.82 | 3.19 | 3.19 | 3.18 | 3.18 | 3.59 | 3.59 | 3.58 | 3.58 | 4.03 | 4.03 | 4.02 | 4.02 | 4.52 | 4.51 | 4.51 | 4.51 | 5.09 | 5.09 | 5.08 | 5.08 |
| | Amps | 10.6 | 10.6 | 10.6 | 10.6 | 12.2 | 12.2 | 12.1 | 12.1 | 13.9 | 13.9 | 13.9 | 13.9 | 15.8 | 15.8 | 15.8 | 15.8 | 18.0 | 17.9 | 17.9 | 17.9 | 20.4 | 20.4 | 20.4 | 20.4 |
| | Hi PR | 265 | 266 | 268 | 268 | 306 | 307 | 309 | 309 | 349 | 350 | 352 | 352 | 395 | 397 | 398 | 398 | 445 | 446 | 448 | 448 | 499 | 500 | 502 | 502 |
| Lo PR | 118 | 119 | 122 | 122 | 125 | 126 | 129 | 129 | 131 | 132 | 135 | 135 | 136 | 137 | 140 | 140 | 141 | 142 | 145 | 145 | 147 | 149 | 151 | 151 | |

| | | | | | | | | | | | | | | | | | | | | | | | | | |
|-------------|-------|------|------|------|------|------|------|------|------|------|------|------|------|------|------|------|------|------|------|------|------|------|------|------|------|
| 1120 | MBh | 40.6 | 41.2 | 42.4 | 44.3 | 40.3 | 40.8 | 42.0 | 43.9 | 39.2 | 39.8 | 41.0 | 42.8 | 37.4 | 37.9 | 39.2 | 41.0 | 35.1 | 35.7 | 36.9 | 38.8 | 33.1 | 33.7 | 34.9 | 36.7 |
| | S/T | 0.66 | 0.59 | 0.47 | 0.34 | 0.67 | 0.60 | 0.47 | 0.34 | 0.69 | 0.62 | 0.50 | 0.37 | 0.71 | 0.64 | 0.51 | 0.38 | 1.00 | 0.66 | 0.54 | 0.40 | 1.00 | 0.71 | 0.58 | 0.45 |
| | ΔT | 24 | 22 | 19 | 15 | 24 | 22 | 19 | 15 | 24 | 22 | 19 | 15 | 24 | 22 | 19 | 15 | 23 | 22 | 18 | 15 | 25 | 23 | 19 | 16 |
| | kW | 2.78 | 2.78 | 2.77 | 2.80 | 3.15 | 3.14 | 3.14 | 3.16 | 3.55 | 3.55 | 3.54 | 3.57 | 3.98 | 3.98 | 3.98 | 4.00 | 4.47 | 4.47 | 4.46 | 4.49 | 5.04 | 5.04 | 5.03 | 5.06 |
| | Amps | 10.4 | 10.4 | 10.4 | 10.5 | 12.0 | 12.0 | 12.0 | 12.1 | 13.7 | 13.7 | 13.7 | 13.8 | 15.6 | 15.6 | 15.6 | 15.7 | 17.8 | 17.8 | 17.7 | 17.8 | 20.2 | 20.2 | 20.2 | 20.3 |
| | Hi PR | 260 | 261 | 263 | 267 | 301 | 302 | 304 | 309 | 344 | 345 | 347 | 352 | 390 | 391 | 393 | 398 | 440 | 441 | 443 | 448 | 494 | 495 | 497 | 501 |
| Lo PR | 113 | 115 | 118 | 123 | 120 | 122 | 125 | 130 | 126 | 128 | 131 | 136 | 132 | 133 | 136 | 141 | 137 | 138 | 141 | 146 | 143 | 144 | 147 | 152 | |
| 1320 | MBh | 41.3 | 41.8 | 43.0 | 44.9 | 40.9 | 41.5 | 42.7 | 44.5 | 39.8 | 40.4 | 41.6 | 43.5 | 38.0 | 38.6 | 39.8 | 41.6 | 35.8 | 36.3 | 37.6 | 39.4 | 33.7 | 34.3 | 35.5 | 37.4 |
| | S/T | 0.73 | 0.66 | 0.54 | 0.41 | 0.74 | 0.67 | 0.54 | 0.41 | 0.76 | 0.69 | 0.57 | 0.43 | 1.00 | 0.71 | 0.58 | 0.45 | 1.00 | 0.73 | 0.60 | 0.47 | 1.00 | 0.78 | 0.65 | 0.52 |
| | ΔT | 22 | 21 | 17 | 14 | 22 | 21 | 17 | 14 | 23 | 21 | 17 | 14 | 22 | 21 | 17 | 14 | 22 | 20 | 17 | 13 | 23 | 21 | 18 | 15 |
| | kW | 2.81 | 2.80 | 2.80 | 2.83 | 3.17 | 3.17 | 3.16 | 3.19 | 3.57 | 3.57 | 3.56 | 3.59 | 4.01 | 4.00 | 4.00 | 4.03 | 4.50 | 4.49 | 4.49 | 4.51 | 5.07 | 5.06 | 5.06 | 5.09 |
| | Amps | 10.5 | 10.5 | 10.5 | 10.6 | 12.1 | 12.1 | 12.1 | 12.2 | 13.8 | 13.8 | 13.8 | 13.9 | 15.7 | 15.7 | 15.7 | 15.8 | 17.9 | 17.9 | 17.8 | 17.9 | 20.3 | 20.3 | 20.3 | 20.4 |
| | Hi PR | 263 | 264 | 266 | 270 | 304 | 305 | 307 | 311 | 347 | 348 | 350 | 354 | 393 | 394 | 396 | 401 | 443 | 444 | 446 | 450 | 496 | 497 | 499 | 504 |
| Lo PR | 115 | 117 | 120 | 125 | 122 | 124 | 127 | 132 | 128 | 130 | 133 | 138 | 134 | 135 | 138 | 143 | 139 | 140 | 143 | 148 | 145 | 146 | 149 | 154 | |
| 1520 | MBh | 42.0 | 42.6 | 43.8 | 45.7 | 41.7 | 42.2 | 43.5 | 45.3 | 40.6 | 41.2 | 42.4 | 44.3 | 38.8 | 39.4 | 40.6 | 42.4 | 36.5 | 37.1 | 38.3 | 40.2 | 34.5 | 35.1 | 36.3 | 38.2 |
| | S/T | 0.77 | 0.70 | 0.57 | 0.44 | 0.77 | 0.70 | 0.58 | 0.45 | 0.80 | 0.73 | 0.60 | 0.47 | 1.00 | 0.74 | 0.62 | 0.49 | 1.00 | 0.76 | 0.64 | 0.51 | 1.00 | 0.81 | 0.69 | 0.56 |
| | ΔT | 21 | 20 | 16 | 13 | 21 | 20 | 16 | 13 | 22 | 20 | 16 | 13 | 21 | 19 | 16 | 13 | 21 | 19 | 16 | 12 | 22 | 20 | 17 | 13 |
| | kW | 2.83 | 2.82 | 2.82 | 2.84 | 3.19 | 3.18 | 3.18 | 3.21 | 3.59 | 3.59 | 3.58 | 3.61 | 4.03 | 4.02 | 4.02 | 4.04 | 4.51 | 4.51 | 4.50 | 4.53 | 5.09 | 5.08 | 5.08 | 5.10 |
| | Amps | 10.6 | 10.6 | 10.6 | 10.7 | 12.2 | 12.2 | 12.1 | 12.3 | 13.9 | 13.9 | 13.9 | 14.0 | 15.8 | 15.8 | 15.8 | 15.9 | 17.9 | 17.9 | 17.9 | 18.0 | 20.4 | 20.4 | 20.4 | 20.5 |
| | Hi PR | 265 | 266 | 268 | 273 | 306 | 307 | 309 | 314 | 349 | 350 | 352 | 357 | 396 | 397 | 399 | 403 | 446 | 447 | 449 | 453 | 499 | 500 | 502 | 506 |
| Lo PR | 118 | 119 | 122 | 127 | 125 | 126 | 129 | 134 | 131 | 132 | 135 | 140 | 136 | 137 | 140 | 145 | 141 | 142 | 145 | 150 | 147 | 149 | 151 | 156 | |

IDB*: Entering Indoor Dry Bulb Temperature
 High and low pressures are measured at the liquid and suction service valves.
 Airflow may vary depending on actual ambient conditions and system operation modes.

Shaded area is ACCA (TVA) conditions
 kW = Total system power
 Amps = outdoor unit amps

ENHANCED – EXPANDED COOLING DATA – ASZS60421EA* / AHVE60DP1400A* (CONT.)

| IDB* | OUTDOOR AMBIENT TEMPERATURE | | | | | | | | | | | | | | | | | | | | | | | | |
|-------------|--------------------------------------|------|------|------|------|------|------|------|------|------|------|------|------|------|------|------|-------|------|------|------|-------|------|------|------|------|
| | 65°F | | | | 75°F | | | | 85°F | | | | 95°F | | | | 105°F | | | | 115°F | | | | |
| | 59 | 63 | 67 | 71 | 59 | 63 | 67 | 71 | 59 | 63 | 67 | 71 | 59 | 63 | 67 | 71 | 59 | 63 | 67 | 71 | 59 | 63 | 67 | 71 | |
| | ENTERING INDOOR WET BULB TEMPERATURE | | | | | | | | | | | | | | | | | | | | | | | | |
| | AIRFLOW | | | | | | | | | | | | | | | | | | | | | | | | |
| 1120 | MBh | 40.8 | 41.4 | 42.6 | 44.5 | 40.5 | 41.0 | 42.3 | 44.1 | 39.4 | 40.0 | 41.2 | 43.1 | 37.6 | 38.2 | 39.4 | 41.2 | 35.3 | 35.9 | 37.1 | 39.0 | 33.3 | 33.9 | 35.1 | 37.0 |
| | S/T | 0.78 | 0.71 | 0.58 | 0.45 | 0.78 | 0.71 | 0.59 | 0.46 | 1.00 | 0.74 | 0.61 | 0.48 | 1.00 | 0.76 | 0.63 | 0.50 | 1.00 | 0.78 | 0.65 | 0.52 | 1.00 | 0.82 | 0.70 | 0.57 |
| | ΔT | 28 | 26 | 23 | 19 | 28 | 26 | 23 | 19 | 28 | 26 | 23 | 19 | 28 | 26 | 23 | 19 | 27 | 26 | 22 | 19 | 29 | 27 | 23 | 20 |
| | kW | 2.79 | 2.78 | 2.78 | 2.80 | 3.15 | 3.14 | 3.14 | 3.17 | 3.55 | 3.55 | 3.54 | 3.57 | 3.99 | 3.98 | 3.98 | 4.01 | 4.47 | 4.47 | 4.46 | 4.49 | 5.05 | 5.04 | 5.04 | 5.06 |
| | Amps | 10.4 | 10.4 | 10.4 | 10.5 | 12.0 | 12.0 | 12.0 | 12.1 | 13.8 | 13.7 | 13.7 | 13.8 | 15.7 | 15.6 | 15.6 | 15.7 | 17.8 | 17.8 | 17.7 | 17.9 | 20.3 | 20.2 | 20.2 | 20.3 |
| | Hi PR | 260 | 262 | 263 | 268 | 302 | 303 | 304 | 309 | 345 | 346 | 347 | 352 | 391 | 392 | 394 | 398 | 441 | 442 | 444 | 448 | 494 | 495 | 497 | 502 |
| Lo PR | 114 | 115 | 118 | 123 | 121 | 122 | 125 | 130 | 127 | 128 | 131 | 136 | 132 | 133 | 136 | 141 | 137 | 138 | 141 | 146 | 143 | 145 | 148 | 153 | |
| 80 | MBh | 41.5 | 42.0 | 43.3 | 45.1 | 41.1 | 41.7 | 42.9 | 44.7 | 40.0 | 40.6 | 41.8 | 43.7 | 38.2 | 38.8 | 40.0 | 41.9 | 36.0 | 36.5 | 37.8 | 39.6 | 33.9 | 34.5 | 35.7 | 37.6 |
| | S/T | 0.85 | 0.78 | 0.65 | 0.52 | 1.00 | 0.78 | 0.66 | 0.53 | 1.00 | 0.81 | 0.68 | 0.55 | 1.00 | 0.83 | 0.70 | 0.57 | 1.00 | 0.85 | 0.72 | 0.59 | 1.00 | 1.00 | 0.77 | 0.64 |
| | ΔT | 26 | 25 | 21 | 18 | 26 | 25 | 21 | 18 | 27 | 25 | 21 | 18 | 26 | 25 | 21 | 18 | 26 | 24 | 21 | 17 | 27 | 25 | 22 | 19 |
| | kW | 2.81 | 2.81 | 2.80 | 2.83 | 3.17 | 3.17 | 3.16 | 3.19 | 3.57 | 3.57 | 3.56 | 3.59 | 4.01 | 4.01 | 4.00 | 4.03 | 4.50 | 4.49 | 4.49 | 4.52 | 5.07 | 5.07 | 5.06 | 5.09 |
| | Amps | 10.5 | 10.5 | 10.5 | 10.6 | 12.1 | 12.1 | 12.1 | 12.2 | 13.9 | 13.8 | 13.8 | 13.9 | 15.8 | 15.7 | 15.7 | 15.8 | 17.9 | 17.9 | 17.8 | 18.0 | 20.4 | 20.3 | 20.3 | 20.4 |
| | Hi PR | 263 | 264 | 266 | 271 | 304 | 305 | 307 | 312 | 347 | 348 | 350 | 355 | 394 | 395 | 396 | 401 | 443 | 445 | 446 | 451 | 497 | 498 | 500 | 504 |
| Lo PR | 116 | 117 | 120 | 125 | 123 | 124 | 127 | 132 | 129 | 130 | 133 | 138 | 134 | 135 | 138 | 143 | 139 | 140 | 143 | 148 | 145 | 147 | 150 | 155 | |
| 1520 | MBh | 42.2 | 42.8 | 44.0 | 45.9 | 41.9 | 42.5 | 43.7 | 45.5 | 40.8 | 41.4 | 42.6 | 44.5 | 39.0 | 39.6 | 40.8 | 42.6 | 36.8 | 37.3 | 38.6 | 40.4 | 34.7 | 35.3 | 36.5 | 38.4 |
| | S/T | 0.88 | 0.81 | 0.69 | 0.56 | 1.00 | 0.82 | 0.69 | 0.56 | 1.00 | 0.84 | 0.72 | 0.59 | 1.00 | 0.86 | 0.74 | 0.60 | 1.00 | 0.88 | 0.76 | 0.62 | 1.00 | 1.00 | 0.80 | 0.67 |
| | ΔT | 25 | 24 | 20 | 17 | 25 | 24 | 20 | 17 | 26 | 24 | 20 | 17 | 25 | 23 | 20 | 17 | 25 | 23 | 20 | 16 | 26 | 24 | 21 | 18 |
| | kW | 2.83 | 2.82 | 2.82 | 2.85 | 3.19 | 3.19 | 3.18 | 3.21 | 3.59 | 3.59 | 3.58 | 3.61 | 4.03 | 4.03 | 4.02 | 4.05 | 4.52 | 4.51 | 4.51 | 4.53 | 5.09 | 5.08 | 5.08 | 5.11 |
| | Amps | 10.6 | 10.6 | 10.6 | 10.7 | 12.2 | 12.2 | 12.1 | 12.3 | 13.9 | 13.9 | 13.9 | 14.0 | 15.8 | 15.8 | 15.8 | 15.9 | 18.0 | 17.9 | 17.9 | 18.0 | 20.4 | 20.4 | 20.4 | 20.5 |
| | Hi PR | 266 | 267 | 269 | 273 | 307 | 308 | 310 | 314 | 350 | 351 | 353 | 357 | 396 | 397 | 399 | 404 | 446 | 447 | 449 | 454 | 499 | 500 | 502 | 507 |
| Lo PR | 118 | 120 | 122 | 127 | 125 | 127 | 129 | 134 | 131 | 133 | 135 | 140 | 136 | 138 | 141 | 145 | 141 | 143 | 146 | 150 | 148 | 149 | 152 | 157 | |

| | | | | | | | | | | | | | | | | | | | | | | | | | |
|-------------|-------|------|------|------|------|------|------|------|------|------|------|------|------|------|------|------|------|------|------|------|------|------|------|------|------|
| 1120 | MBh | 41.5 | 42.1 | 43.3 | 45.2 | 41.2 | 41.7 | 42.9 | 44.8 | 40.1 | 40.7 | 41.9 | 43.7 | 38.3 | 38.8 | 40.1 | 41.9 | 36.0 | 36.6 | 37.8 | 39.7 | 34.0 | 34.6 | 35.8 | 37.6 |
| | S/T | 1.00 | 0.80 | 0.68 | 0.55 | 1.00 | 0.81 | 0.68 | 0.55 | 1.00 | 0.83 | 0.71 | 0.57 | 1.00 | 0.85 | 0.72 | 0.59 | 1.00 | 1.00 | 0.74 | 0.61 | 1.00 | 1.00 | 0.79 | 0.66 |
| | ΔT | 31 | 30 | 26 | 23 | 31 | 29 | 26 | 23 | 32 | 30 | 26 | 23 | 31 | 29 | 26 | 23 | 31 | 29 | 26 | 22 | 32 | 30 | 27 | 23 |
| | kW | 2.79 | 2.79 | 2.78 | 2.81 | 3.15 | 3.15 | 3.14 | 3.17 | 3.56 | 3.55 | 3.55 | 3.58 | 3.99 | 3.99 | 3.98 | 4.01 | 4.48 | 4.48 | 4.47 | 4.50 | 5.05 | 5.05 | 5.04 | 5.07 |
| | Amps | 10.5 | 10.4 | 10.4 | 10.5 | 12.0 | 12.0 | 12.0 | 12.1 | 13.8 | 13.8 | 13.7 | 13.9 | 15.7 | 15.7 | 15.6 | 15.8 | 17.8 | 17.8 | 17.8 | 17.9 | 20.3 | 20.3 | 20.2 | 20.4 |
| | Hi PR | 262 | 263 | 265 | 269 | 303 | 304 | 306 | 310 | 346 | 347 | 349 | 353 | 392 | 393 | 395 | 400 | 442 | 443 | 445 | 450 | 495 | 496 | 498 | 503 |
| Lo PR | 116 | 117 | 120 | 125 | 123 | 124 | 127 | 132 | 129 | 130 | 133 | 138 | 134 | 135 | 138 | 143 | 139 | 140 | 143 | 148 | 145 | 146 | 149 | 154 | |
| 1320 | MBh | 42.2 | 42.7 | 43.9 | 45.8 | 41.8 | 42.4 | 43.6 | 45.4 | 40.7 | 41.3 | 42.5 | 44.4 | 38.9 | 39.5 | 40.7 | 42.5 | 36.7 | 37.2 | 38.5 | 40.3 | 34.6 | 35.2 | 36.4 | 38.3 |
| | S/T | 1.00 | 0.87 | 0.75 | 0.62 | 1.00 | 0.88 | 0.75 | 0.62 | 1.00 | 0.90 | 0.78 | 0.64 | 1.00 | 1.00 | 0.79 | 0.66 | 1.00 | 1.00 | 0.81 | 0.68 | 1.00 | 1.00 | 0.86 | 0.73 |
| | ΔT | 30 | 28 | 25 | 21 | 30 | 28 | 25 | 21 | 30 | 28 | 25 | 22 | 30 | 28 | 25 | 21 | 30 | 28 | 25 | 21 | 31 | 29 | 26 | 22 |
| | kW | 2.82 | 2.81 | 2.81 | 2.83 | 3.18 | 3.17 | 3.17 | 3.20 | 3.58 | 3.58 | 3.57 | 3.60 | 4.02 | 4.01 | 4.01 | 4.03 | 4.50 | 4.50 | 4.49 | 4.52 | 5.08 | 5.07 | 5.07 | 5.09 |
| | Amps | 10.6 | 10.5 | 10.5 | 10.6 | 12.1 | 12.1 | 12.1 | 12.2 | 13.9 | 13.9 | 13.8 | 14.0 | 15.8 | 15.8 | 15.7 | 15.9 | 17.9 | 17.9 | 17.9 | 18.0 | 20.4 | 20.4 | 20.3 | 20.5 |
| | Hi PR | 264 | 265 | 267 | 272 | 305 | 307 | 308 | 313 | 348 | 350 | 351 | 356 | 395 | 396 | 398 | 402 | 445 | 446 | 448 | 452 | 498 | 499 | 501 | 505 |
| Lo PR | 118 | 119 | 122 | 127 | 125 | 126 | 129 | 134 | 131 | 132 | 135 | 140 | 136 | 137 | 140 | 145 | 141 | 142 | 145 | 150 | 147 | 148 | 151 | 156 | |
| 1520 | MBh | 42.9 | 43.5 | 44.7 | 46.6 | 42.6 | 43.1 | 44.4 | 46.2 | 41.5 | 42.1 | 43.3 | 45.2 | 39.7 | 40.3 | 41.5 | 43.3 | 37.4 | 38.0 | 39.2 | 41.1 | 35.4 | 36.0 | 37.2 | 39.1 |
| | S/T | 1.00 | 0.91 | 0.78 | 0.65 | 1.00 | 0.91 | 0.79 | 0.66 | 1.00 | 0.94 | 0.81 | 0.68 | 1.00 | 1.00 | 0.83 | 0.70 | 1.00 | 1.00 | 0.85 | 0.72 | 1.00 | 1.00 | 0.90 | 0.76 |
| | ΔT | 29 | 27 | 24 | 20 | 29 | 27 | 24 | 20 | 29 | 27 | 24 | 20 | 29 | 27 | 24 | 20 | 29 | 27 | 23 | 20 | 30 | 28 | 25 | 21 |
| | kW | 2.83 | 2.83 | 2.83 | 2.85 | 3.20 | 3.19 | 3.19 | 3.21 | 3.60 | 3.60 | 3.59 | 3.62 | 4.03 | 4.03 | 4.03 | 4.05 | 4.52 | 4.52 | 4.51 | 4.54 | 5.09 | 5.09 | 5.09 | 5.11 |
| | Amps | 10.6 | 10.6 | 10.6 | 10.7 | 12.2 | 12.2 | 12.2 | 12.3 | 14.0 | 14.0 | 13.9 | 14.0 | 15.9 | 15.9 | 15.8 | 15.9 | 18.0 | 18.0 | 17.9 | 18.1 | 20.5 | 20.5 | 20.4 | 20.5 |
| | Hi PR | 267 | 268 | 270 | 274 | 308 | 309 | 311 | 315 | 351 | 352 | 354 | 358 | 397 | 398 | 400 | 405 | 447 | 448 | 450 | 455 | 501 | 502 | 504 | 508 |
| Lo PR | 120 | 121 | 124 | 129 | 127 | 128 | 131 | 136 | 133 | 134 | 137 | 142 | 138 | 139 | 142 | 147 | 143 | 144 | 147 | 152 | 149 | 151 | 154 | 158 | |

IDB*: Entering Indoor Dry Bulb Temperature
 High and low pressures are measured at the liquid and suction service valves.
 Airflow may vary depending on actual ambient conditions and system operation modes.
 Shaded area is AHRI conditions
 kW = Total system power
 Amps = outdoor unit amps

ENHANCED – EXPANDED COOLING DATA — ASZS60481EA* / AHVE60DP1400A*

| IDB* | | OUTDOOR AMBIENT TEMPERATURE | | | | | | | | | | | | | | | | | | | | | | | | | | | |
|---------|------|--------------------------------------|------|------|------|------|------|------|------|------|------|------|------|------|------|------|------|-------|------|------|------|-------|------|------|------|------|------|------|------|
| | | 65°F | | | | 75°F | | | | 85°F | | | | 95°F | | | | 105°F | | | | 115°F | | | | | | | |
| | | 59 | 63 | 67 | 71 | 59 | 63 | 67 | 71 | 59 | 63 | 67 | 71 | 59 | 63 | 67 | 71 | 59 | 63 | 67 | 71 | 59 | 63 | 67 | 71 | | | | |
| | | ENTERING INDOOR WET BULB TEMPERATURE | | | | | | | | | | | | | | | | | | | | | | | | | | | |
| AIRFLOW | | 59 | 63 | 67 | 71 | 59 | 63 | 67 | 71 | 59 | 63 | 67 | 71 | 59 | 63 | 67 | 71 | 59 | 63 | 67 | 71 | 59 | 63 | 67 | 71 | 59 | 63 | 67 | 71 |
| 1170 | MBh | 42.2 | 45.3 | 46.6 | 46.2 | 44.3 | 44.9 | 46.2 | 45.1 | 43.1 | 43.7 | 45.1 | 44.1 | 41.1 | 41.7 | 43.0 | 43.0 | 38.6 | 39.3 | 40.6 | 40.6 | 0.61 | 0.54 | 0.42 | 0.42 | 0.61 | 0.54 | 0.42 | 0.42 |
| | S/T | 0.57 | 0.47 | 0.35 | 0.35 | 0.55 | 0.48 | 0.35 | 0.38 | 0.57 | 0.50 | 0.38 | 0.59 | 0.59 | 0.52 | 0.40 | 0.40 | 0.61 | 0.54 | 0.42 | 0.42 | 0.61 | 0.54 | 0.42 | 0.42 | 0.61 | 0.54 | 0.42 | 0.42 |
| | ΔT | 21 | 18 | 15 | 15 | 20 | 18 | 15 | 15 | 20 | 18 | 15 | 20 | 20 | 18 | 15 | 15 | 20 | 18 | 14 | 14 | 20 | 18 | 14 | 14 | 22 | 20 | 17 | 17 |
| | kW | 2.69 | 3.04 | 3.03 | 3.44 | 3.45 | 3.44 | 3.44 | 3.89 | 3.90 | 3.89 | 3.89 | 4.39 | 4.39 | 4.38 | 4.38 | 4.38 | 4.93 | 4.93 | 4.92 | 4.92 | 4.93 | 4.93 | 4.92 | 4.92 | 5.32 | 5.31 | 5.31 | 5.31 |
| | Amps | 10.1 | 11.5 | 11.5 | 13.3 | 13.3 | 13.3 | 13.3 | 15.2 | 15.3 | 15.3 | 15.2 | 17.4 | 17.4 | 17.4 | 17.3 | 17.3 | 19.8 | 19.7 | 19.7 | 19.7 | 19.8 | 19.7 | 19.7 | 19.7 | 21.5 | 21.5 | 21.4 | 21.4 |
| Hi PR | 268 | 261 | 263 | 304 | 301 | 302 | 304 | 347 | 344 | 345 | 347 | 390 | 390 | 391 | 393 | 393 | 440 | 441 | 443 | 443 | 440 | 441 | 443 | 443 | 515 | 517 | 518 | 518 | |
| Lo PR | 112 | 115 | 118 | 125 | 120 | 122 | 125 | 131 | 126 | 128 | 131 | 132 | 132 | 133 | 136 | 136 | 137 | 138 | 141 | 141 | 137 | 138 | 141 | 141 | 140 | 141 | 144 | 144 | |
| 70 | MBh | 45.4 | 46.0 | 47.3 | 46.9 | 45.0 | 45.6 | 46.9 | 45.8 | 43.8 | 44.4 | 45.8 | 41.8 | 41.8 | 42.4 | 43.7 | 43.7 | 39.3 | 39.9 | 41.3 | 41.3 | 0.68 | 0.61 | 0.49 | 0.49 | 0.68 | 0.61 | 0.49 | 0.49 |
| | S/T | 0.61 | 0.54 | 0.42 | 0.42 | 0.62 | 0.55 | 0.42 | 0.45 | 0.64 | 0.57 | 0.45 | 0.66 | 0.66 | 0.59 | 0.47 | 0.47 | 0.68 | 0.61 | 0.49 | 0.49 | 0.68 | 0.61 | 0.49 | 0.49 | 0.76 | 0.69 | 0.56 | 0.56 |
| | ΔT | 18 | 17 | 13 | 13 | 18 | 17 | 13 | 13 | 19 | 17 | 13 | 18 | 18 | 17 | 13 | 13 | 18 | 16 | 13 | 13 | 18 | 16 | 13 | 13 | 21 | 19 | 15 | 15 |
| | kW | 3.07 | 3.07 | 3.06 | 3.46 | 3.47 | 3.47 | 3.46 | 3.91 | 3.92 | 3.92 | 3.91 | 4.41 | 4.41 | 4.41 | 4.40 | 4.40 | 4.96 | 4.95 | 4.95 | 4.95 | 4.96 | 4.95 | 4.95 | 4.95 | 5.34 | 5.34 | 5.33 | 5.33 |
| | Amps | 11.7 | 11.7 | 11.6 | 13.4 | 13.4 | 13.4 | 13.4 | 15.3 | 15.4 | 15.4 | 15.3 | 17.5 | 17.5 | 17.5 | 17.5 | 17.5 | 19.9 | 19.9 | 19.8 | 19.8 | 19.9 | 19.9 | 19.8 | 19.8 | 21.6 | 21.6 | 21.5 | 21.5 |
| Hi PR | 262 | 264 | 265 | 306 | 303 | 305 | 306 | 349 | 346 | 348 | 349 | 393 | 393 | 394 | 396 | 396 | 443 | 444 | 446 | 446 | 443 | 444 | 446 | 446 | 518 | 519 | 521 | 521 | |
| Lo PR | 115 | 117 | 120 | 127 | 122 | 124 | 127 | 133 | 128 | 130 | 133 | 134 | 134 | 135 | 138 | 138 | 139 | 140 | 143 | 143 | 139 | 140 | 143 | 143 | 142 | 143 | 146 | 146 | |
| 1590 | MBh | 46.2 | 46.8 | 48.2 | 47.8 | 45.8 | 46.4 | 47.8 | 46.6 | 44.6 | 45.3 | 46.6 | 42.6 | 42.6 | 43.3 | 44.6 | 44.6 | 40.2 | 40.8 | 42.1 | 42.1 | 0.72 | 0.65 | 0.52 | 0.52 | 0.72 | 0.65 | 0.52 | 0.52 |
| | S/T | 0.65 | 0.58 | 0.45 | 0.46 | 0.65 | 0.58 | 0.46 | 0.48 | 0.68 | 0.61 | 0.48 | 0.70 | 0.70 | 0.63 | 0.50 | 0.50 | 0.72 | 0.65 | 0.52 | 0.52 | 0.72 | 0.65 | 0.52 | 0.52 | 1.00 | 0.72 | 0.59 | 0.59 |
| | ΔT | 17 | 16 | 12 | 12 | 17 | 16 | 12 | 12 | 18 | 16 | 12 | 17 | 17 | 16 | 12 | 12 | 17 | 15 | 12 | 12 | 17 | 15 | 12 | 12 | 20 | 18 | 14 | 14 |
| | kW | 3.09 | 3.09 | 3.08 | 3.48 | 3.49 | 3.49 | 3.48 | 3.93 | 3.94 | 3.94 | 3.93 | 4.43 | 4.43 | 4.43 | 4.42 | 4.42 | 4.98 | 4.97 | 4.97 | 4.97 | 4.98 | 4.97 | 4.97 | 4.97 | 5.36 | 5.36 | 5.35 | 5.35 |
| | Amps | 11.8 | 11.7 | 11.7 | 13.5 | 13.5 | 13.5 | 13.5 | 15.4 | 15.5 | 15.5 | 15.4 | 17.6 | 17.6 | 17.6 | 17.5 | 17.5 | 20.0 | 19.9 | 19.9 | 19.9 | 20.0 | 19.9 | 19.9 | 19.9 | 21.7 | 21.7 | 21.6 | 21.6 |
| Hi PR | 265 | 266 | 268 | 309 | 306 | 307 | 309 | 352 | 349 | 350 | 352 | 395 | 395 | 397 | 398 | 398 | 445 | 446 | 448 | 448 | 445 | 446 | 448 | 448 | 521 | 522 | 524 | 524 | |
| Lo PR | 118 | 119 | 122 | 129 | 125 | 126 | 129 | 135 | 131 | 132 | 135 | 136 | 136 | 137 | 140 | 140 | 141 | 142 | 145 | 145 | 141 | 142 | 145 | 145 | 144 | 145 | 148 | 148 | |

| | | | | | | | | | | | | | | | | | | | | | | | | | | | | | |
|-------|------|------|------|------|------|------|------|------|------|------|------|------|------|------|------|------|------|------|------|------|------|------|------|------|------|------|------|------|------|
| 1170 | MBh | 42.2 | 45.3 | 46.7 | 48.7 | 44.3 | 44.9 | 46.3 | 48.3 | 43.1 | 43.7 | 45.1 | 47.1 | 41.1 | 41.7 | 43.1 | 43.1 | 38.6 | 39.3 | 40.6 | 42.7 | 0.69 | 0.66 | 0.54 | 0.40 | 0.69 | 0.66 | 0.54 | 0.40 |
| | S/T | 0.69 | 0.59 | 0.47 | 0.34 | 0.67 | 0.60 | 0.47 | 0.34 | 0.69 | 0.62 | 0.50 | 0.37 | 0.71 | 0.64 | 0.51 | 0.38 | 1.00 | 0.73 | 0.60 | 0.47 | 1.00 | 0.73 | 0.60 | 0.47 | 1.00 | 0.74 | 0.61 | 0.47 |
| | ΔT | 26 | 22 | 19 | 15 | 24 | 22 | 19 | 15 | 24 | 22 | 19 | 15 | 24 | 22 | 19 | 15 | 23 | 22 | 18 | 15 | 23 | 22 | 18 | 15 | 27 | 25 | 21 | 17 |
| | kW | 2.69 | 3.04 | 3.03 | 3.06 | 3.44 | 3.44 | 3.43 | 3.47 | 3.90 | 3.89 | 3.89 | 3.92 | 4.38 | 4.38 | 4.37 | 4.40 | 4.93 | 4.92 | 4.92 | 4.95 | 4.93 | 4.92 | 4.92 | 4.95 | 5.31 | 5.31 | 5.30 | 4.88 |
| | Amps | 10.1 | 11.5 | 11.5 | 11.6 | 13.3 | 13.3 | 13.3 | 13.4 | 15.3 | 15.2 | 15.2 | 15.3 | 17.4 | 17.4 | 17.3 | 17.5 | 19.7 | 19.7 | 19.7 | 19.8 | 19.7 | 19.7 | 19.7 | 19.8 | 21.5 | 21.5 | 21.4 | 19.6 |
| Hi PR | 268 | 261 | 263 | 267 | 301 | 302 | 304 | 309 | 344 | 345 | 347 | 352 | 390 | 391 | 393 | 398 | 440 | 441 | 443 | 448 | 440 | 441 | 443 | 448 | 516 | 517 | 519 | 517 | |
| Lo PR | 112 | 115 | 118 | 123 | 120 | 122 | 125 | 130 | 126 | 128 | 131 | 136 | 132 | 133 | 136 | 141 | 137 | 138 | 141 | 146 | 137 | 138 | 141 | 146 | 140 | 141 | 144 | 150 | |
| 75 | MBh | 45.4 | 46.0 | 47.3 | 49.4 | 45.0 | 45.6 | 46.9 | 49.0 | 43.8 | 44.4 | 45.8 | 47.8 | 41.8 | 42.4 | 43.8 | 45.8 | 39.3 | 40.0 | 41.3 | 43.4 | 0.76 | 0.69 | 0.57 | 0.43 | 0.76 | 0.69 | 0.57 | 0.43 |
| | S/T | 0.73 | 0.66 | 0.54 | 0.41 | 0.74 | 0.67 | 0.54 | 0.41 | 0.76 | 0.69 | 0.57 | 0.43 | 1.00 | 0.71 | 0.58 | 0.45 | 1.00 | 0.73 | 0.60 | 0.47 | 1.00 | 0.73 | 0.60 | 0.47 | 1.00 | 0.81 | 0.68 | 0.54 |
| | ΔT | 22 | 21 | 17 | 14 | 22 | 21 | 17 | 14 | 23 | 21 | 17 | 14 | 22 | 21 | 17 | 14 | 22 | 20 | 17 | 13 | 22 | 20 | 17 | 13 | 25 | 23 | 20 | 16 |
| | kW | 3.07 | 3.06 | 3.06 | 3.09 | 3.47 | 3.47 | 3.46 | 3.49 | 3.92 | 3.92 | 3.91 | 3.94 | 4.41 | 4.41 | 4.40 | 4.43 | 4.95 | 4.95 | 4.94 | 4.97 | 4.95 | 4.95 | 4.94 | 4.97 | 5.34 | 5.33 | 5.33 | 4.90 |
| | Amps | 11.7 | 11.6 | 11.6 | 11.7 | 13.4 | 13.4 | 13.4 | 13.5 | 15.4 | 15.4 | 15.3 | 15.5 | 17.5 | 17.5 | 17.4 | 17.6 | 19.9 | 19.8 | 19.8 | 19.9 | 19.9 | 19.8 | 19.8 | 19.9 | 21.6 | 21.6 | 21.5 | 19.7 |
| Hi PR | 263 | 264 | 266 | 270 | 304 | 305 | 307 | 311 | 347 | 348 | 350 | 354 | 393 | 394 | 396 | 401 | 443 | 444 | 446 | 450 | 443 | 444 | 446 | 450 | 518 | 520 | 521 | 519 | |
| Lo PR | 115 | 117 | 120 | 125 | 122 | 124 | 127 | 132 | 128 | 130 | 133 | 138 | 134 | 135 | 138 | 143 | 139 | 140 | 143 | 148 | 139 | 140 | 143 | 148 | 142 | 143 | 146 | 152 | |
| 1590 | MBh | 46.2 | 46.9 | 48.2 | 50.3 | 45.8 | 46.5 | 47.8 | 49.9 | 44.7 | 45.3 | 46.6 | 48.7 | 42.7 | 43.3 | 44.6 | 46.7 | 40.2 | 40.8 | 42.2 | 44.2 | 0.80 | 0.73 | 0.60 | 0.47 | 0.80 | 0.73 | 0.60 | 0.47 |
| | S/T | 0.77 | 0.70 | 0.57 | 0.44 | 0.77 | 0.70 | 0.58 | 0.45 | 0.80 | 0.73 | 0.60 | 0.47 | 1.00 | 0.74 | 0.62 | 0.49 | 1.00 | 0.76 | 0.64 | 0.51 | 1.00 | 0.76 | 0.64 | 0.51 | 1.00 | 0.85 | 0.72 | 0.58 |
| | ΔT | 21 | 20 | 16 | 13 | 21 | 20 | 16 | 13 | 22 | 20 | 16 | 13 | 21 | 19 | 16 | 13 | 21 | 19 | 16 | 12 | 21 | 19 | 16 | 12 | 24 | 22 | 18 | 15 |
| | kW | 3.09 | 3.08 | 3.08 | 3.11 | 3.49 | 3.49 | 3.48 | 3.51 | 3.94 | 3.94 | 3.93 | 3.96 | 4.43 | 4.43 | 4.42 | 4.45 | 4.97 | 4.97 | 4.96 | 4.99 | 4.97 | 4.97 | 4.96 | 4.99 | 5.36 | 5.35 | 5.35 | 4.92 |
| | Amps | 11.7 | 11.7 | 11.7 | 11.8 | 13.5 | 13.5 | 13.5 | 13.6 | 15.5 | 15.4 | 15.4 | 15.5 | 17.6 | 17.6 | 17.5 | 17.7 | 19.9 | 19.9 | 19.9 | 20.0 | 19.9 | 19.9 | 19.9 | 20.0 | 21.7 | 21.6 | 21.6 | 19.8 |
| Hi PR | 265 | 266 | 268 | 273 | 306 | 307 | 309 | 314 | 349 | 350 | 352 | 357 | 396 | 397 | 399 | 403 | 446 | 447 | 449 | 453 | 446 | 447 | 449 | 453 | 521 | 522 | 524 | 522 | |
| Lo PR | 118 | 119 | 122 | 127 | 125 | 126 | 129 | 134 | 131 | 132 | 135 | 140 | 136 | 137 | 140 | 145 | 141 | 142 | 145 | 150 | 141 | 142 | 145 | 150 | 144 | 145 | 148 | 154 | |

IDB*: Entering Indoor Dry Bulb Temperature
 High and low pressures are measured at the liquid and suction service valves.
 Airflow may vary depending on actual ambient conditions and system operation modes.
 Shaded area is ACCA (TVA) conditions
 kW = Total system power
 Amps = outdoor unit amps

ENHANCED – EXPANDED COOLING DATA — ASZS60481EA* / AHVE60DP1400A* (CONT.)

| IDB* | AIRFLOW | OUTDOOR AMBIENT TEMPERATURE | | | | | | | | | | | | | | | | | | | | | | | |
|-----------|---------|-----------------------------|------|------|------|------|------|------|------|------|------|------|------|------|------|------|------|-------|------|------|------|-------|------|------|------|
| | | 65°F | | | | 75°F | | | | 85°F | | | | 95°F | | | | 105°F | | | | 115°F | | | |
| | | 59 | 63 | 67 | 71 | 59 | 63 | 67 | 71 | 59 | 63 | 67 | 71 | 59 | 63 | 67 | 71 | 59 | 63 | 67 | 71 | 59 | 63 | 67 | 71 |
| 80 | MBh | 42.5 | 45.5 | 46.9 | 48.9 | 44.5 | 45.1 | 46.5 | 48.5 | 43.3 | 44.0 | 45.3 | 47.4 | 41.3 | 42.0 | 43.3 | 45.3 | 38.9 | 39.5 | 40.8 | 42.9 | 36.6 | 37.2 | 38.6 | 38.4 |
| | S/T | 0.81 | 0.71 | 0.58 | 0.45 | 0.78 | 0.71 | 0.59 | 0.46 | 1.00 | 0.74 | 0.61 | 0.48 | 1.00 | 0.76 | 0.63 | 0.50 | 1.00 | 0.78 | 0.65 | 0.52 | 1.00 | 0.86 | 0.73 | 0.59 |
| | ΔT | 30 | 26 | 23 | 19 | 28 | 26 | 23 | 19 | 28 | 26 | 23 | 19 | 28 | 26 | 23 | 19 | 27 | 26 | 22 | 19 | 31 | 29 | 25 | 21 |
| | kW | 2.69 | 3.04 | 3.03 | 3.06 | 3.45 | 3.44 | 3.44 | 3.47 | 3.90 | 3.89 | 3.89 | 3.92 | 4.38 | 4.38 | 4.37 | 4.41 | 4.93 | 4.93 | 4.92 | 4.95 | 5.31 | 5.31 | 5.31 | 4.88 |
| | Amps | 10.1 | 11.5 | 11.5 | 11.6 | 13.3 | 13.3 | 13.3 | 13.4 | 15.3 | 15.3 | 15.2 | 15.4 | 17.4 | 17.4 | 17.3 | 17.5 | 19.8 | 19.7 | 19.7 | 19.8 | 21.5 | 21.5 | 21.4 | 19.6 |
| | Hi PR | 269 | 262 | 263 | 268 | 302 | 303 | 304 | 309 | 345 | 346 | 347 | 352 | 391 | 392 | 394 | 398 | 441 | 442 | 444 | 448 | 516 | 517 | 519 | 517 |
| | Lo PR | 113 | 115 | 118 | 123 | 121 | 122 | 125 | 130 | 127 | 128 | 131 | 136 | 132 | 133 | 136 | 141 | 137 | 138 | 141 | 146 | 140 | 142 | 144 | 151 |
| | MBh | 45.6 | 46.2 | 47.6 | 49.6 | 45.2 | 45.8 | 47.2 | 49.2 | 44.0 | 44.7 | 46.0 | 48.1 | 42.0 | 42.7 | 44.0 | 46.0 | 39.6 | 40.2 | 41.5 | 43.6 | 37.3 | 37.9 | 39.3 | 39.1 |
| | S/T | 0.85 | 0.78 | 0.65 | 0.52 | 1.00 | 0.78 | 0.66 | 0.53 | 1.00 | 0.81 | 0.68 | 0.55 | 1.00 | 0.83 | 0.70 | 0.57 | 1.00 | 0.85 | 0.72 | 0.59 | 1.00 | 0.93 | 0.80 | 0.66 |
| | ΔT | 26 | 25 | 21 | 18 | 26 | 25 | 21 | 18 | 27 | 25 | 21 | 18 | 26 | 25 | 21 | 18 | 26 | 24 | 21 | 17 | 30 | 28 | 24 | 20 |
| kW | 3.07 | 3.07 | 3.06 | 3.09 | 3.47 | 3.47 | 3.46 | 3.49 | 3.92 | 3.92 | 3.91 | 3.94 | 4.41 | 4.41 | 4.40 | 4.43 | 4.96 | 4.95 | 4.95 | 4.98 | 5.34 | 5.34 | 5.33 | 4.90 | |
| Amps | 11.7 | 11.6 | 11.6 | 11.8 | 13.4 | 13.4 | 13.4 | 13.5 | 15.4 | 15.4 | 15.3 | 15.5 | 17.5 | 17.5 | 17.5 | 17.6 | 19.9 | 19.8 | 19.8 | 20.0 | 21.6 | 21.6 | 21.5 | 19.7 | |
| Hi PR | 263 | 264 | 266 | 271 | 304 | 305 | 307 | 312 | 347 | 348 | 350 | 355 | 394 | 395 | 396 | 401 | 443 | 445 | 446 | 451 | 519 | 520 | 522 | 520 | |
| Lo PR | 116 | 117 | 120 | 125 | 123 | 124 | 127 | 132 | 129 | 130 | 133 | 138 | 134 | 135 | 138 | 143 | 139 | 140 | 143 | 148 | 142 | 144 | 146 | 153 | |
| MBh | 46.5 | 47.1 | 48.4 | 50.5 | 46.1 | 46.7 | 48.0 | 50.1 | 44.9 | 45.5 | 46.9 | 48.9 | 42.9 | 43.5 | 44.9 | 46.9 | 40.4 | 41.1 | 42.4 | 44.4 | 38.2 | 38.8 | 40.1 | 39.9 | |
| S/T | 0.88 | 0.81 | 0.69 | 0.56 | 1.00 | 0.82 | 0.69 | 0.56 | 1.00 | 0.84 | 0.72 | 0.59 | 1.00 | 0.86 | 0.74 | 0.60 | 1.00 | 0.88 | 0.76 | 0.62 | 1.00 | 1.00 | 0.84 | 0.70 | |
| ΔT | 25 | 24 | 20 | 17 | 25 | 24 | 20 | 17 | 26 | 24 | 20 | 17 | 25 | 23 | 20 | 17 | 25 | 23 | 20 | 16 | 28 | 26 | 23 | 19 | |
| kW | 3.09 | 3.09 | 3.08 | 3.11 | 3.49 | 3.49 | 3.48 | 3.51 | 3.94 | 3.94 | 3.93 | 3.96 | 4.43 | 4.43 | 4.42 | 4.45 | 4.98 | 4.97 | 4.97 | 5.00 | 5.36 | 5.36 | 5.35 | 4.92 | |
| Amps | 11.8 | 11.7 | 11.7 | 11.8 | 13.5 | 13.5 | 13.5 | 13.6 | 15.5 | 15.5 | 15.4 | 15.6 | 17.6 | 17.6 | 17.5 | 17.7 | 20.0 | 19.9 | 19.9 | 20.0 | 21.7 | 21.7 | 21.6 | 19.8 | |
| Hi PR | 266 | 267 | 269 | 273 | 307 | 308 | 310 | 314 | 350 | 351 | 353 | 357 | 396 | 397 | 399 | 404 | 446 | 447 | 449 | 454 | 522 | 523 | 525 | 523 | |
| Lo PR | 118 | 120 | 122 | 127 | 125 | 127 | 129 | 134 | 131 | 133 | 135 | 140 | 136 | 138 | 141 | 145 | 141 | 143 | 146 | 150 | 144 | 146 | 149 | 155 | |

| | | | | | | | | | | | | | | | | | | | | | | | | | |
|-----------|-------|------|------|------|------|------|------|------|------|------|------|------|------|------|------|------|------|------|------|------|------|------|------|------|------|
| 85 | MBh | 43.2 | 46.3 | 47.6 | 49.7 | 45.3 | 45.9 | 47.2 | 49.3 | 44.1 | 44.7 | 46.1 | 48.1 | 42.1 | 42.7 | 44.1 | 46.1 | 39.6 | 40.3 | 41.6 | 43.6 | 37.4 | 38.0 | 39.3 | 39.1 |
| | S/T | 1.00 | 0.80 | 0.68 | 0.55 | 1.00 | 0.81 | 0.68 | 0.55 | 1.00 | 0.83 | 0.71 | 0.57 | 1.00 | 0.85 | 0.72 | 0.59 | 1.00 | 1.00 | 0.74 | 0.61 | 1.00 | 1.00 | 0.83 | 0.69 |
| | ΔT | 34 | 30 | 26 | 23 | 31 | 29 | 26 | 23 | 32 | 30 | 26 | 23 | 31 | 29 | 26 | 23 | 31 | 29 | 26 | 22 | 35 | 33 | 29 | 25 |
| | kW | 2.70 | 3.05 | 3.04 | 3.07 | 3.45 | 3.45 | 3.44 | 3.48 | 3.91 | 3.90 | 3.90 | 3.93 | 4.39 | 4.39 | 4.38 | 4.41 | 4.94 | 4.93 | 4.93 | 4.96 | 5.32 | 5.32 | 5.31 | 4.89 |
| | Amps | 10.1 | 11.6 | 11.5 | 11.7 | 13.3 | 13.3 | 13.3 | 13.4 | 15.3 | 15.3 | 15.3 | 15.4 | 17.4 | 17.4 | 17.4 | 17.5 | 19.8 | 19.8 | 19.7 | 19.9 | 21.5 | 21.5 | 21.5 | 19.6 |
| | Hi PR | 270 | 263 | 265 | 269 | 303 | 304 | 306 | 310 | 346 | 347 | 349 | 353 | 392 | 393 | 395 | 400 | 442 | 443 | 445 | 450 | 517 | 519 | 520 | 518 |
| | Lo PR | 114 | 117 | 120 | 125 | 123 | 124 | 127 | 132 | 129 | 130 | 133 | 138 | 134 | 135 | 138 | 143 | 139 | 140 | 143 | 148 | 142 | 143 | 146 | 152 |
| | MBh | 46.4 | 47.0 | 48.3 | 50.4 | 46.0 | 46.6 | 47.9 | 50.0 | 44.8 | 45.4 | 46.8 | 48.8 | 42.8 | 43.4 | 44.8 | 46.8 | 40.3 | 41.0 | 42.3 | 44.3 | 38.1 | 38.7 | 40.0 | 39.8 |
| | S/T | 1.00 | 0.87 | 0.75 | 0.62 | 1.00 | 0.88 | 0.75 | 0.62 | 1.00 | 0.90 | 0.78 | 0.64 | 1.00 | 1.00 | 0.79 | 0.66 | 1.00 | 1.00 | 0.81 | 0.68 | 1.00 | 1.00 | 0.90 | 0.76 |
| | ΔT | 30 | 28 | 25 | 21 | 30 | 28 | 25 | 21 | 30 | 28 | 25 | 22 | 30 | 28 | 25 | 21 | 30 | 28 | 25 | 21 | 34 | 32 | 28 | 24 |
| kW | 3.08 | 3.07 | 3.07 | 3.10 | 3.48 | 3.48 | 3.47 | 3.50 | 3.93 | 3.93 | 3.92 | 3.95 | 4.42 | 4.42 | 4.41 | 4.44 | 4.96 | 4.96 | 4.95 | 4.98 | 5.35 | 5.34 | 5.34 | 4.91 | |
| Amps | 11.7 | 11.7 | 11.7 | 11.8 | 13.5 | 13.4 | 13.4 | 13.5 | 15.4 | 15.4 | 15.4 | 15.5 | 17.5 | 17.5 | 17.5 | 17.6 | 19.9 | 19.9 | 19.9 | 20.0 | 21.6 | 21.6 | 21.6 | 19.7 | |
| Hi PR | 264 | 265 | 267 | 272 | 305 | 307 | 308 | 313 | 348 | 350 | 351 | 356 | 395 | 396 | 398 | 402 | 445 | 446 | 448 | 452 | 520 | 521 | 523 | 521 | |
| Lo PR | 118 | 119 | 122 | 127 | 125 | 126 | 129 | 134 | 131 | 132 | 135 | 140 | 136 | 137 | 140 | 145 | 141 | 142 | 145 | 150 | 144 | 145 | 148 | 154 | |
| MBh | 47.2 | 47.9 | 49.2 | 51.2 | 46.8 | 47.5 | 48.8 | 50.8 | 45.7 | 46.3 | 47.6 | 49.7 | 43.6 | 44.3 | 45.6 | 47.7 | 41.2 | 41.8 | 43.2 | 45.2 | 38.9 | 39.6 | 40.9 | 40.6 | |
| S/T | 1.00 | 0.91 | 0.78 | 0.65 | 1.00 | 0.91 | 0.79 | 0.66 | 1.00 | 0.94 | 0.81 | 0.68 | 1.00 | 1.00 | 0.83 | 0.70 | 1.00 | 1.00 | 0.85 | 0.72 | 1.00 | 1.00 | 0.93 | 0.80 | |
| ΔT | 29 | 27 | 24 | 20 | 29 | 27 | 24 | 20 | 29 | 27 | 24 | 20 | 29 | 27 | 24 | 20 | 29 | 27 | 23 | 20 | 32 | 30 | 27 | 23 | |
| kW | 3.10 | 3.09 | 3.09 | 3.12 | 3.50 | 3.50 | 3.49 | 3.52 | 3.95 | 3.95 | 3.94 | 3.97 | 4.44 | 4.44 | 4.43 | 4.46 | 4.98 | 4.98 | 4.97 | 5.00 | 5.37 | 5.36 | 5.36 | 4.93 | |
| Amps | 11.8 | 11.8 | 11.7 | 11.9 | 13.5 | 13.5 | 13.5 | 13.6 | 15.5 | 15.5 | 15.5 | 15.6 | 17.6 | 17.6 | 17.6 | 17.7 | 20.0 | 20.0 | 19.9 | 20.1 | 21.7 | 21.7 | 21.7 | 19.8 | |
| Hi PR | 267 | 268 | 270 | 274 | 308 | 309 | 311 | 315 | 351 | 352 | 354 | 358 | 397 | 398 | 400 | 405 | 447 | 448 | 450 | 455 | 523 | 524 | 526 | 524 | |
| Lo PR | 120 | 121 | 124 | 129 | 127 | 128 | 131 | 136 | 133 | 134 | 137 | 142 | 138 | 139 | 142 | 147 | 143 | 144 | 147 | 152 | 146 | 147 | 150 | 156 | |

IDB*: Entering Indoor Dry Bulb Temperature
 High and low pressures are measured at the liquid and suction service valves.
 Airflow may vary depending on actual ambient conditions and system operation modes.
 Shaded area is AHRI conditions
 kW = Total system power
 Amps = outdoor unit amps

| ASZS601810A* / AHVE24BP1400A* | | | | |
|---|---------------|----------------|--------------|--------------|
| DESIGN SUBCOOLING @ AHRI 95°F CONDITIONS 9-11°F | | | | |
| AT 100% DEMAND | | | | |
| OUTDOOR TEMP. °F | TOTAL BTU/H | SENSIBLE BTU/H | LATENT BTU/H | TOTAL WATTS |
| 75° | 17,800 | 13,200 | 4,600 | 1,210 |
| 80° | 17,600 | 13,300 | 4,300 | 1,300 |
| 85° | 17,400 | 13,400 | 4,000 | 1,360 |
| 90° | 17,000 | 13,300 | 3,700 | 1,400 |
| 95° | 16,600 | 13,100 | 3,500 | 1,520 |
| 100° | 16,200 | 12,900 | 3,300 | 1,600 |
| 105° | 15,700 | 12,700 | 3,000 | 1,700 |
| 110° | 15,300 | 12,800 | 2,500 | 1,800 |
| 115° | 14,800 | 12,900 | 1,900 | 1,920 |
| TVA Conditions @ 95° OD DB, 75° ID, 63° ID WB | | | | |
| 95° | 16,000 | 12,800 | 3,200 | 1,520 |

| ASZS601810A* / AHVE24BP1400A* | | | | |
|---|---------------|----------------|--------------|--------------|
| DESIGN SUBCOOLING @ AHRI 95°F CONDITIONS 9-11°F | | | | |
| IN BOOST MODE | | | | |
| OUTDOOR TEMP. °F | TOTAL BTU/H | SENSIBLE BTU/H | LATENT BTU/H | TOTAL WATTS |
| 75° | 18,800 | 13,600 | 5,200 | 1,350 |
| 80° | 18,600 | 13,700 | 4,900 | 1,500 |
| 85° | 18,300 | 13,700 | 4,600 | 1,550 |
| 90° | 17,900 | 13,600 | 4,300 | 1,600 |
| 95° | 17,500 | 13,500 | 4,000 | 1,700 |
| 100° | 17,000 | 13,300 | 3,700 | 1,800 |
| 105° | 16,500 | 13,100 | 3,400 | 1,900 |
| 110° | 16,100 | 13,200 | 2,900 | 2,000 |
| 115° | 15,600 | 13,200 | 2,400 | 2,150 |
| TVA Conditions @ 95° OD DB, 75° ID, 63° ID WB | | | | |
| 95° | 16,900 | 13,200 | 3,700 | 1,700 |

| ASZS602410A* / AHVE24BP1400A* | | | | |
|--|---------------|----------------|--------------|--------------|
| DESIGN SUBCOOLING @ AHRI 95°F CONDITIONS 11-13°F | | | | |
| AT 100% DEMAND | | | | |
| OUTDOOR TEMP. °F | TOTAL BTU/H | SENSIBLE BTU/H | LATENT BTU/H | TOTAL WATTS |
| 75° | 23,800 | 17,400 | 6,400 | 1,740 |
| 80° | 23,500 | 17,500 | 6,000 | 1,900 |
| 85° | 23,200 | 17,600 | 5,600 | 1,960 |
| 90° | 22,700 | 17,500 | 5,200 | 2,100 |
| 95° | 22,200 | 17,300 | 4,900 | 2,200 |
| 100° | 21,600 | 17,100 | 4,500 | 2,300 |
| 105° | 21,000 | 16,800 | 4,200 | 2,460 |
| 110° | 20,400 | 16,900 | 3,500 | 2,600 |
| 115° | 19,800 | 17,000 | 2,800 | 2,780 |
| TVA Conditions @ 95° OD DB, 75° ID, 63° ID WB | | | | |
| 95° | 21,400 | 16,900 | 4,500 | 2,200 |

| ASZS602410A* / AHVE24BP1400A* | | | | |
|--|---------------|----------------|--------------|--------------|
| DESIGN SUBCOOLING @ AHRI 95°F CONDITIONS 11-13°F | | | | |
| IN BOOST MODE | | | | |
| OUTDOOR TEMP. °F | TOTAL BTU/H | SENSIBLE BTU/H | LATENT BTU/H | TOTAL WATTS |
| 75° | 25,100 | 18,000 | 7,100 | 1,950 |
| 80° | 24,800 | 18,100 | 6,700 | 2,100 |
| 85° | 24,500 | 18,100 | 6,400 | 2,150 |
| 90° | 24,000 | 18,000 | 6,000 | 2,300 |
| 95° | 23,400 | 17,800 | 5,600 | 2,450 |
| 100° | 22,800 | 17,600 | 5,200 | 2,600 |
| 105° | 22,100 | 17,300 | 4,800 | 2,700 |
| 110° | 21,500 | 17,400 | 4,100 | 2,900 |
| 115° | 20,900 | 17,400 | 3,500 | 3,050 |
| TVA Conditions @ 95° OD DB, 75° ID, 63° ID WB | | | | |
| 95° | 22,600 | 17,400 | 5,200 | 2,450 |

| ASZS603010A* / AHVE36CP1400A* | | | | |
|--|---------------|----------------|--------------|--------------|
| DESIGN SUBCOOLING @ AHRI 95°F CONDITIONS 13-15°F | | | | |
| AT 100% DEMAND | | | | |
| OUTDOOR TEMP. °F | TOTAL BTU/H | SENSIBLE BTU/H | LATENT BTU/H | TOTAL WATTS |
| 75° | 29,800 | 21,800 | 8,000 | 2,230 |
| 80° | 29,500 | 21,800 | 7,700 | 2,400 |
| 85° | 29,100 | 21,800 | 7,300 | 2,510 |
| 90° | 28,500 | 21,600 | 6,900 | 2,700 |
| 95° | 27,800 | 21,400 | 6,400 | 2,810 |
| 100° | 27,000 | 21,100 | 5,900 | 3,000 |
| 105° | 26,200 | 20,700 | 5,500 | 3,140 |
| 110° | 25,500 | 20,800 | 4,700 | 3,300 |
| 115° | 24,800 | 20,800 | 4,000 | 3,540 |
| TVA Conditions @ 95° OD DB, 75° ID, 63° ID WB | | | | |
| 95° | 26,800 | 20,900 | 5,900 | 2,810 |

| ASZS603010A* / AHVE36CP1400A* | | | | |
|--|---------------|----------------|--------------|--------------|
| DESIGN SUBCOOLING @ AHRI 95°F CONDITIONS 13-15°F | | | | |
| IN BOOST MODE | | | | |
| OUTDOOR TEMP. °F | TOTAL BTU/H | SENSIBLE BTU/H | LATENT BTU/H | TOTAL WATTS |
| 75° | 31,500 | 22,600 | 8,900 | 2,450 |
| 80° | 31,100 | 22,700 | 8,400 | 2,600 |
| 85° | 30,700 | 22,800 | 7,900 | 2,750 |
| 90° | 30,100 | 22,600 | 7,500 | 2,900 |
| 95° | 29,400 | 22,400 | 7,000 | 3,100 |
| 100° | 28,600 | 22,100 | 6,500 | 3,300 |
| 105° | 27,800 | 21,700 | 6,100 | 3,450 |
| 110° | 27,100 | 21,800 | 5,300 | 3,700 |
| 115° | 26,300 | 21,900 | 4,400 | 3,900 |
| TVA Conditions @ 95° OD DB, 75° ID, 63° ID WB | | | | |
| 95° | 28,400 | 21,800 | 6,600 | 3,100 |

PERFORMANCE DATA FOR STANDARD OPERATING MODE (CONT.)

| ASZS603610A* / AHVE36CP1400A* | | | | |
|---|---------------|----------------|--------------|--------------|
| DESIGN SUBCOOLING @ AHRI 95°F CONDITIONS 14-16°F AT 100% DEMAND | | | | |
| OUTDOOR TEMP. °F | TOTAL BTU/H | SENSIBLE BTU/H | LATENT BTU/H | TOTAL WATTS |
| 75° | 36,000 | 26,300 | 9,700 | 3,070 |
| 80° | 35,600 | 26,500 | 9,100 | 3,300 |
| 85° | 35,100 | 26,700 | 8,400 | 3,450 |
| 90° | 34,400 | 26,500 | 7,900 | 3,700 |
| 95° | 33,600 | 26,200 | 7,400 | 3,860 |
| 100° | 32,700 | 25,800 | 6,900 | 4,100 |
| 105° | 31,700 | 25,400 | 6,300 | 4,320 |
| 110° | 30,700 | 25,800 | 4,900 | 4,600 |
| 115° | 29,700 | 26,100 | 3,600 | 4,810 |
| TVA Conditions @ 95° OD DB, 75° ID, 63° ID WB | | | | |
| 95° | 32,400 | 25,600 | 6,800 | 3,870 |

| ASZS603610A* / AHVE36CP1400A* | | | | |
|--|---------------|----------------|--------------|--------------|
| DESIGN SUBCOOLING @ AHRI 95°F CONDITIONS 14-16°F IN BOOST MODE | | | | |
| OUTDOOR TEMP. °F | TOTAL BTU/H | SENSIBLE BTU/H | LATENT BTU/H | TOTAL WATTS |
| 75° | 38,000 | 27,500 | 10,500 | 3,300 |
| 80° | 37,500 | 27,700 | 9,800 | 3,500 |
| 85° | 37,000 | 27,800 | 9,200 | 3,750 |
| 90° | 36,200 | 27,600 | 8,600 | 4,000 |
| 95° | 35,400 | 27,300 | 8,100 | 4,200 |
| 100° | 34,400 | 26,900 | 7,500 | 4,500 |
| 105° | 33,400 | 26,500 | 6,900 | 4,700 |
| 110° | 31,600 | 26,300 | 5,300 | 4,800 |
| 115° | 29,700 | 26,000 | 3,700 | 4,850 |
| TVA Conditions @ 95° OD DB, 75° ID, 63° ID WB | | | | |
| 95° | 34,100 | 26,600 | 7,500 | 4,200 |

| ASZS604210A* / AHVE48DP1400A* | | | | |
|---|---------------|----------------|--------------|--------------|
| DESIGN SUBCOOLING @ AHRI 95°F CONDITIONS 7-9°F AT 100% DEMAND | | | | |
| OUTDOOR TEMP. °F | TOTAL BTU/H | SENSIBLE BTU/H | LATENT BTU/H | TOTAL WATTS |
| 75° | 42,400 | 30,100 | 12,300 | 3,630 |
| 80° | 41,900 | 30,100 | 11,800 | 3,900 |
| 85° | 41,300 | 30,100 | 11,200 | 4,120 |
| 90° | 40,400 | 29,900 | 10,500 | 4,400 |
| 95° | 39,500 | 29,600 | 9,900 | 4,650 |
| 100° | 38,400 | 29,200 | 9,200 | 4,900 |
| 105° | 37,300 | 28,700 | 8,600 | 5,240 |
| 110° | 35,200 | 27,700 | 7,500 | 5,300 |
| 115° | 33,000 | 26,700 | 6,300 | 5,270 |
| TVA Conditions @ 95° OD DB, 75° ID, 63° ID WB | | | | |
| 95° | 38,100 | 29,000 | 9,100 | 4,650 |

| ASZS604210A* / AHVE48DP1400A* | | | | |
|--|---------------|----------------|---------------|--------------|
| DESIGN SUBCOOLING @ AHRI 95°F CONDITIONS 7-9°F IN BOOST MODE | | | | |
| OUTDOOR TEMP. °F | TOTAL BTU/H | SENSIBLE BTU/H | LATENT BTU/H | TOTAL WATTS |
| 75° | 44,500 | 30,600 | 13,900 | 3,900 |
| 80° | 44,000 | 30,800 | 13,200 | 4,200 |
| 85° | 43,400 | 30,900 | 12,500 | 4,400 |
| 90° | 42,500 | 30,600 | 11,900 | 4,700 |
| 95° | 41,500 | 30,300 | 11,200 | 4,950 |
| 100° | 40,400 | 29,900 | 10,500 | 5,300 |
| 105° | 39,200 | 29,400 | 9,800 | 5,600 |
| 110° | 36,100 | 28,100 | 8,000 | 5,500 |
| 115° | 33,000 | 26,800 | 6,200 | 5,300 |
| TVA Conditions @ 95° OD DB, 75° ID, 63° ID WB | | | | |
| 95° | 40,000 | 29,600 | 10,400 | 4,950 |

| ASZS604810A* / AHVE48DP1400A* | | | | |
|--|---------------|----------------|---------------|--------------|
| DESIGN SUBCOOLING @ AHRI 95°F CONDITIONS 8-10°F AT 100% DEMAND | | | | |
| OUTDOOR TEMP. °F | TOTAL BTU/H | SENSIBLE BTU/H | LATENT BTU/H | TOTAL WATTS |
| 75° | 48,300 | 33,300 | 15,000 | 4,380 |
| 80° | 47,700 | 33,400 | 14,300 | 4,700 |
| 85° | 47,100 | 33,400 | 13,700 | 4,980 |
| 90° | 46,100 | 33,200 | 12,900 | 5,300 |
| 95° | 45,000 | 32,900 | 12,100 | 5,620 |
| 100° | 43,800 | 32,400 | 11,400 | 6,000 |
| 105° | 42,500 | 31,900 | 10,600 | 6,350 |
| 110° | 38,400 | 29,700 | 8,700 | 5,900 |
| 115° | 34,300 | 27,400 | 6,900 | 5,360 |
| TVA Conditions @ 95° OD DB, 75° ID, 63° ID WB | | | | |
| 95° | 43,400 | 32,100 | 11,300 | 5,630 |

| ASZS604810A* / AHVE48DP1400A* | | | | |
|---|---------------|----------------|---------------|--------------|
| DESIGN SUBCOOLING @ AHRI 95°F CONDITIONS 8-10°F IN BOOST MODE | | | | |
| OUTDOOR TEMP. °F | TOTAL BTU/H | SENSIBLE BTU/H | LATENT BTU/H | TOTAL WATTS |
| 75° | 50,900 | 33,600 | 17,300 | 4,750 |
| 80° | 50,300 | 33,800 | 16,500 | 5,100 |
| 85° | 49,700 | 33,900 | 15,800 | 5,400 |
| 90° | 48,600 | 33,600 | 15,000 | 5,800 |
| 95° | 47,500 | 33,300 | 14,200 | 6,100 |
| 100° | 45,000 | 32,600 | 12,400 | 6,200 |
| 105° | 42,500 | 31,900 | 10,600 | 6,350 |
| 110° | 38,400 | 29,700 | 8,700 | 5,900 |
| 115° | 34,300 | 27,400 | 6,900 | 5,400 |
| TVA Conditions @ 95° OD DB, 75° ID, 63° ID WB | | | | |
| 95° | 45,800 | 32,500 | 13,300 | 6,100 |

PERFORMANCE DATA FOR STANDARD OPERATING MODE (CONT.)

| ASZS606010A* / AHVE60DP1400A* | | | | |
|---|---------------|----------------|---------------|--------------|
| DESIGN SUBCOOLING @ AHRI 95°F CONDITIONS 8-10°F | | | | |
| AT 100% DEMAND | | | | |
| OUTDOOR TEMP. °F | TOTAL BTU/H | SENSIBLE BTU/H | LATENT BTU/H | TOTAL WATTS |
| 75° | 56,800 | 38,100 | 18,700 | 5,170 |
| 80° | 56,100 | 38,200 | 17,900 | 5,500 |
| 85° | 55,400 | 38,200 | 17,200 | 5,870 |
| 90° | 54,200 | 37,900 | 16,300 | 6,200 |
| 95° | 53,000 | 37,600 | 15,400 | 6,620 |
| 100° | 49,100 | 35,700 | 13,400 | 6,300 |
| 105° | 45,100 | 33,800 | 11,300 | 6,030 |
| 110° | 41,900 | 32,400 | 9,500 | 5,900 |
| 115° | 38,700 | 31,000 | 7,700 | 5,770 |
| TVA Conditions @ 95° OD DB, 75° ID, 63° ID WB | | | | |
| 95° | 51,100 | 36,800 | 14,300 | 6,630 |

| ASZS606010A* / AHVE60DP1400A* | | | | |
|---|---------------|----------------|---------------|--------------|
| DESIGN SUBCOOLING @ AHRI 95°F CONDITIONS 8-10°F | | | | |
| IN BOOST MODE | | | | |
| OUTDOOR TEMP. °F | TOTAL BTU/H | SENSIBLE BTU/H | LATENT BTU/H | TOTAL WATTS |
| 75° | 59,500 | 39,200 | 20,300 | 5,800 |
| 80° | 58,800 | 39,400 | 19,400 | 6,200 |
| 85° | 58,000 | 39,600 | 18,400 | 6,600 |
| 90° | 56,800 | 39,300 | 17,500 | 7,000 |
| 95° | 55,500 | 38,900 | 16,600 | 7,450 |
| 100° | 50,300 | 36,400 | 13,900 | 6,800 |
| 105° | 45,100 | 33,900 | 11,200 | 6,050 |
| 110° | 41,900 | 32,500 | 9,400 | 5,900 |
| 115° | 38,700 | 31,000 | 7,700 | 5,800 |
| TVA Conditions @ 95° OD DB, 75° ID, 63° ID WB | | | | |
| 95° | 53,500 | 38,000 | 15,500 | 7,450 |

ENHANCED – PERFORMANCE DATA FOR STANDARD OPERATING MODE

| ASZS60241EA*/AHVE36CP1400A* | | | | |
|--|---------------|----------------|--------------|--------------|
| DESIGN SUBCOOLING @ AHRI 95°F CONDITIONS 13-15°F | | | | |
| AT 100% DEMAND | | | | |
| OUTDOOR TEMP °F | TOTAL BTU/H | SENSIBLE BTU/H | LATENT BTU/H | TOTAL WATTS |
| 75° | 24,700 | 16,300 | 8,400 | 1,820 |
| 80° | 24,400 | 16,400 | 8,000 | 1,900 |
| 85° | 24,100 | 16,400 | 7,700 | 2,050 |
| 90° | 23,600 | 16,300 | 7,300 | 2,200 |
| 95° | 23,000 | 16,100 | 6,900 | 2,300 |
| 100° | 22,400 | 15,900 | 6,500 | 2,400 |
| 105° | 21,700 | 15,600 | 6,100 | 2,580 |
| 110° | 21,100 | 15,700 | 5,400 | 2,700 |
| 115° | 20,500 | 15,800 | 4,700 | 2,910 |
| TVA Conditions @ 95° OD DB, 75° ID, 63° ID WB | | | | |
| 95° | 22,200 | 15,800 | 6,400 | 2,300 |

| ASZS60241EA*/AHVE36CP1400A* | | | | |
|--|---------------|----------------|--------------|--------------|
| DESIGN SUBCOOLING @ AHRI 95°F CONDITIONS 13-15°F | | | | |
| IN BOOST MODE | | | | |
| OUTDOOR TEMP °F | TOTAL BTU/H | SENSIBLE BTU/H | LATENT BTU/H | TOTAL WATTS |
| 75° | 30,700 | 20,000 | 10,700 | 2,300 |
| 80° | 30,300 | 20,000 | 10,300 | 2,500 |
| 85° | 29,900 | 20,000 | 9,900 | 2,650 |
| 90° | 29,300 | 19,900 | 9,400 | 2,800 |
| 95° | 28,600 | 19,700 | 8,900 | 2,950 |
| 100° | 27,800 | 19,500 | 8,300 | 3,200 |
| 105° | 27,000 | 19,200 | 7,800 | 3,350 |
| 110° | 26,300 | 19,200 | 7,100 | 3,600 |
| 115° | 25,600 | 19,200 | 6,400 | 3,800 |
| TVA Conditions @ 95° OD DB, 75° ID, 63° ID WB | | | | |
| 95° | 27,600 | 19,000 | 8,600 | 2,950 |

| ASZS60361EA*/AHVE48DP1400A* | | | | |
|--|---------------|----------------|--------------|--------------|
| DESIGN SUBCOOLING @ AHRI 95°F CONDITIONS 7-9°F | | | | |
| AT 100% DEMAND | | | | |
| OUTDOOR TEMP °F | TOTAL BTU/H | SENSIBLE BTU/H | LATENT BTU/H | TOTAL WATTS |
| 75° | 36,700 | 27,500 | 9,200 | 2,710 |
| 80° | 36,300 | 27,700 | 8,600 | 2,900 |
| 85° | 35,800 | 27,900 | 7,900 | 3,050 |
| 90° | 35,000 | 27,700 | 7,300 | 3,200 |
| 95° | 34,200 | 27,400 | 6,800 | 3,420 |
| 100° | 33,300 | 27,000 | 6,300 | 3,600 |
| 105° | 32,300 | 26,500 | 5,800 | 3,830 |
| 110° | 31,400 | 26,700 | 4,700 | 4,100 |
| 115° | 30,500 | 26,800 | 3,700 | 4,320 |
| TVA Conditions @ 95° OD DB, 75° ID, 63° ID WB | | | | |
| 95° | 33,000 | 26,700 | 6,300 | 3,420 |

| ASZS60361EA*/AHVE48DP1400A* | | | | |
|--|---------------|----------------|---------------|--------------|
| DESIGN SUBCOOLING @ AHRI 95°F CONDITIONS 7-9°F | | | | |
| IN BOOST MODE | | | | |
| OUTDOOR TEMP °F | TOTAL BTU/H | SENSIBLE BTU/H | LATENT BTU/H | TOTAL WATTS |
| 75° | 50,700 | 34,000 | 16,700 | 4,450 |
| 80° | 50,100 | 34,100 | 16,000 | 4,800 |
| 85° | 49,500 | 34,200 | 15,300 | 5,100 |
| 90° | 48,400 | 33,900 | 14,500 | 5,400 |
| 95° | 47,300 | 33,600 | 13,700 | 5,750 |
| 100° | 44,600 | 31,900 | 12,700 | 5,600 |
| 105° | 41,900 | 30,200 | 11,700 | 5,400 |
| 110° | 38,200 | 29,100 | 9,100 | 5,100 |
| 115° | 34,500 | 27,900 | 6,600 | 4,700 |
| TVA Conditions @ 95° OD DB, 75° ID, 63° ID WB | | | | |
| 95° | 45,600 | 32,800 | 12,800 | 5,750 |

ENHANCED – PERFORMANCE DATA FOR STANDARD OPERATING MODE (CONT.)

| ASZS60421EA*/AHVE60DP1400A* | | | | |
|--|---------------|----------------|---------------|--------------|
| DESIGN SUBCOOLING @ AHRI 95°F CONDITIONS 8-10°F AT 100% DEMAND | | | | |
| Outdoor Temp °F | Total BTU/h | Sensible BTU/h | Latent BTU/h | Total Watts |
| 75° | 42,900 | 28,300 | 14,600 | 3,160 |
| 80° | 42,400 | 28,400 | 14,000 | 3,400 |
| 85° | 41,800 | 28,400 | 13,400 | 3,560 |
| 90° | 40,900 | 28,200 | 12,700 | 3,800 |
| 95° | 40,000 | 28,000 | 12,000 | 4,000 |
| 100° | 38,900 | 27,600 | 11,300 | 4,200 |
| 105° | 37,800 | 27,200 | 10,600 | 4,490 |
| 110° | 36,800 | 27,400 | 9,400 | 4,800 |
| 115° | 35,700 | 27,500 | 8,200 | 5,060 |
| TVA Conditions @ 95° OD DB, 75° ID, 63° ID WB | | | | |
| 95° | 38,600 | 27,400 | 11,200 | 4,000 |

| ASZS60421EA*/AHVE60DP1400A* | | | | |
|---|---------------|----------------|---------------|--------------|
| DESIGN SUBCOOLING @ AHRI 95°F CONDITIONS 8-10°F IN BOOST MODE | | | | |
| OUTDOOR TEMP °F | TOTAL BTU/H | SENSIBLE BTU/H | LATENT BTU/H | TOTAL WATTS |
| 75° | 58,200 | 36,700 | 21,500 | 5,150 |
| 80° | 57,500 | 36,800 | 20,700 | 5,500 |
| 85° | 56,800 | 36,900 | 19,900 | 5,900 |
| 90° | 55,600 | 36,700 | 18,900 | 6,300 |
| 95° | 54,300 | 36,400 | 17,900 | 6,700 |
| 100° | 49,500 | 34,300 | 15,200 | 6,100 |
| 105° | 44,700 | 32,200 | 12,500 | 5,550 |
| 110° | 41,800 | 31,300 | 10,500 | 5,400 |
| 115° | 38,800 | 30,300 | 8,500 | 5,300 |
| TVA CONDITIONS @ 95° OD DB, 75° ID, 63° ID WB | | | | |
| 95° | 52,300 | 35,600 | 16,700 | 6,700 |

| ASZS60481EA*/AHVE60DP1400A* | | | | |
|--|---------------|----------------|---------------|--------------|
| DESIGN SUBCOOLING @ AHRI 95°F CONDITIONS 8-10°F AT 100% DEMAND | | | | |
| Outdoor Temp °F | Total BTU/h | Sensible BTU/h | Latent BTU/h | Total Watts |
| 75° | 47,200 | 31,200 | 16,000 | 3,460 |
| 80° | 46,600 | 31,300 | 15,300 | 3,700 |
| 85° | 46,000 | 31,300 | 14,700 | 3,910 |
| 90° | 45,000 | 31,100 | 13,900 | 4,200 |
| 95° | 44,000 | 30,800 | 13,200 | 4,400 |
| 100° | 42,800 | 30,400 | 12,400 | 4,700 |
| 105° | 41,500 | 29,900 | 11,600 | 4,950 |
| 110° | 40,400 | 30,700 | 9,700 | 5,100 |
| 115° | 39,300 | 31,400 | 7,900 | 5,330 |
| TVA Conditions @ 95° OD DB, 75° ID, 63° ID WB | | | | |
| 95° | 42,400 | 30,100 | 12,300 | 4,410 |

| ASZS60481EA*/AHVE60DP1400A* | | | | |
|---|---------------|----------------|---------------|--------------|
| DESIGN SUBCOOLING @ AHRI 95°F CONDITIONS 8-10°F IN BOOST MODE | | | | |
| OUTDOOR TEMP °F | TOTAL BTU/H | SENSIBLE BTU/H | LATENT BTU/H | TOTAL WATTS |
| 75° | 58,200 | 36,700 | 21,500 | 5,150 |
| 80° | 57,500 | 36,800 | 20,700 | 5,500 |
| 85° | 56,800 | 36,900 | 19,900 | 5,900 |
| 90° | 55,600 | 36,700 | 18,900 | 6,300 |
| 95° | 54,300 | 36,400 | 17,900 | 6,700 |
| 100° | 49,900 | 34,800 | 15,100 | 6,100 |
| 105° | 45,500 | 33,200 | 12,300 | 5,550 |
| 110° | 42,400 | 32,300 | 10,100 | 5,500 |
| 115° | 39,300 | 31,400 | 7,900 | 5,350 |
| TVA CONDITIONS @ 95° OD DB, 75° ID, 63° ID WB | | | | |
| 95° | 52,300 | 35,600 | 16,700 | 6,700 |

EXPANDED HEATING DATA — NORMAL HEATING MODE

ASZS601810A* + AHVE24BP1400A*

| | OUTDOOR AMBIENT TEMPERATURE | | | | | | | | | | | | | | | | | |
|-------|-----------------------------|------|------|------|------|------|------|------|------|------|------|------|------|------|------|------|------|------|
| | 65 | 60 | 55 | 50 | 47 | 45 | 40 | 35 | 30 | 25 | 20 | 17 | 15 | 10 | 5 | 0 | -5 | -10 |
| MBh | 22.2 | 20.9 | 19.5 | 18.2 | 17.4 | 16.8 | 15.3 | 21.9 | 20.0 | 18.6 | 17.7 | 17.1 | 16.4 | 14.7 | 13.0 | 11.3 | 9.6 | 7.8 |
| T/R | 32 | 31 | 29 | 27 | 26 | 26 | 23 | 33 | 30 | 28 | 27 | 26 | 25 | 22 | 20 | 17 | 14 | 12 |
| KW | 1.48 | 1.46 | 1.43 | 1.40 | 1.38 | 1.37 | 1.34 | 2.32 | 2.24 | 2.15 | 2.07 | 2.02 | 1.98 | 1.90 | 1.81 | 1.73 | 1.64 | 1.56 |
| AMPS | 5.5 | 5.4 | 5.2 | 5.1 | 5.0 | 5.0 | 4.8 | 9.1 | 8.8 | 8.4 | 8.0 | 7.8 | 7.7 | 7.3 | 6.9 | 6.5 | 6.2 | 5.8 |
| COP | 4.38 | 4.20 | 4.02 | 3.83 | 3.70 | 3.60 | 3.35 | 2.76 | 2.62 | 2.54 | 2.50 | 2.49 | 2.43 | 2.27 | 2.10 | 1.91 | 1.70 | 1.47 |
| Hi PR | 377 | 365 | 353 | 340 | 333 | 328 | 316 | 360 | 345 | 331 | 316 | 308 | 302 | 287 | 273 | 258 | 244 | 229 |
| LO PR | 143 | 134 | 125 | 116 | 111 | 107 | 98 | 79 | 71 | 63 | 55 | 51 | 48 | 40 | 32 | 24 | 16 | 8 |

ASZS602410A* + AHVE24BP1400A*

| | OUTDOOR AMBIENT TEMPERATURE | | | | | | | | | | | | | | | | | |
|-------|-----------------------------|------|------|------|------|------|------|------|------|------|------|------|------|------|------|------|------|------|
| | 65 | 60 | 55 | 50 | 47 | 45 | 40 | 35 | 30 | 25 | 20 | 17 | 15 | 10 | 5 | 0 | -5 | -10 |
| MBh | 29.5 | 27.7 | 26.0 | 24.3 | 23.2 | 22.4 | 20.4 | 21.7 | 20.1 | 18.9 | 18.1 | 17.6 | 17.0 | 15.5 | 14.0 | 12.4 | 10.9 | 9.4 |
| T/R | 33 | 31 | 30 | 28 | 27 | 26 | 24 | 25 | 23 | 22 | 21 | 20 | 20 | 18 | 16 | 14 | 13 | 11 |
| KW | 2.18 | 2.13 | 2.08 | 2.03 | 2.00 | 1.98 | 1.93 | 2.44 | 2.37 | 2.31 | 2.24 | 2.21 | 2.18 | 2.11 | 2.05 | 1.99 | 1.92 | 1.86 |
| AMPS | 8.2 | 8.0 | 7.8 | 7.6 | 7.4 | 7.3 | 7.1 | 9.3 | 9.0 | 8.8 | 8.5 | 8.3 | 8.2 | 7.9 | 7.6 | 7.4 | 7.1 | 6.8 |
| COP | 3.97 | 3.82 | 3.66 | 3.51 | 3.40 | 3.32 | 3.10 | 2.61 | 2.48 | 2.40 | 2.36 | 2.34 | 2.29 | 2.15 | 2.00 | 1.84 | 1.67 | 1.49 |
| Hi PR | 397 | 384 | 371 | 358 | 350 | 345 | 332 | 328 | 315 | 302 | 289 | 281 | 275 | 262 | 249 | 235 | 222 | 209 |
| LO PR | 134 | 126 | 118 | 109 | 104 | 101 | 93 | 79 | 71 | 63 | 55 | 50 | 47 | 40 | 32 | 24 | 16 | 8 |

ASZS603010A* + AHVE36CP1400A*

| | OUTDOOR AMBIENT TEMPERATURE | | | | | | | | | | | | | | | | | |
|-------|-----------------------------|------|------|------|------|------|------|------|------|------|------|------|------|------|------|------|------|------|
| | 65 | 60 | 55 | 50 | 47 | 45 | 40 | 35 | 30 | 25 | 20 | 17 | 15 | 10 | 5 | 0 | -5 | -10 |
| MBh | 36.7 | 34.5 | 32.3 | 30.2 | 28.8 | 27.8 | 25.3 | 27.1 | 25.0 | 23.4 | 22.3 | 21.7 | 20.9 | 18.9 | 17.0 | 15.0 | 13.0 | 11.1 |
| T/R | 32 | 31 | 29 | 27 | 26 | 26 | 23 | 25 | 23 | 21 | 20 | 20 | 19 | 17 | 16 | 14 | 12 | 10 |
| KW | 2.93 | 2.85 | 2.77 | 2.69 | 2.64 | 2.60 | 2.52 | 2.97 | 2.89 | 2.81 | 2.73 | 2.68 | 2.65 | 2.57 | 2.49 | 2.41 | 2.33 | 2.25 |
| AMPS | 11.1 | 10.8 | 10.4 | 10.1 | 9.9 | 9.7 | 9.4 | 11.3 | 11.0 | 10.6 | 10.3 | 10.1 | 9.9 | 9.6 | 9.2 | 8.9 | 8.5 | 8.2 |
| COP | 3.67 | 3.55 | 3.42 | 3.29 | 3.20 | 3.13 | 2.94 | 2.67 | 2.53 | 2.44 | 2.39 | 2.37 | 2.31 | 2.16 | 2.00 | 1.83 | 1.64 | 1.44 |
| Hi PR | 372 | 360 | 348 | 336 | 328 | 324 | 312 | 320 | 307 | 294 | 281 | 274 | 268 | 256 | 243 | 230 | 217 | 204 |
| LO PR | 131 | 123 | 115 | 106 | 102 | 98 | 90 | 74 | 67 | 60 | 52 | 48 | 45 | 38 | 30 | 23 | 15 | 8 |

ASZS603610A* + AHVE36CP1400A*

| | OUTDOOR AMBIENT TEMPERATURE | | | | | | | | | | | | | | | | | |
|-------|-----------------------------|------|------|------|------|------|------|------|------|------|------|------|------|------|------|------|------|------|
| | 65 | 60 | 55 | 50 | 47 | 45 | 40 | 35 | 30 | 25 | 20 | 17 | 15 | 10 | 5 | 0 | -5 | -10 |
| MBh | 43.6 | 41.1 | 38.6 | 36.2 | 34.6 | 33.4 | 30.7 | 29.7 | 27.8 | 26.2 | 25.1 | 24.5 | 23.7 | 21.7 | 19.7 | 17.8 | 15.8 | 13.8 |
| T/R | 31 | 29 | 28 | 26 | 25 | 25 | 23 | 22 | 20 | 19 | 18 | 18 | 17 | 16 | 15 | 13 | 12 | 10 |
| KW | 3.72 | 3.62 | 3.53 | 3.44 | 3.38 | 3.34 | 3.25 | 3.37 | 3.29 | 3.21 | 3.13 | 3.08 | 3.05 | 2.97 | 2.89 | 2.81 | 2.73 | 2.65 |
| AMPS | 14.2 | 13.8 | 13.3 | 12.9 | 12.7 | 12.5 | 12.1 | 12.6 | 12.3 | 11.9 | 11.6 | 11.4 | 11.3 | 10.9 | 10.6 | 10.2 | 9.9 | 9.5 |
| COP | 3.44 | 3.32 | 3.21 | 3.09 | 3.00 | 2.93 | 2.77 | 2.59 | 2.48 | 2.39 | 2.35 | 2.33 | 2.28 | 2.14 | 2.00 | 1.85 | 1.69 | 1.52 |
| Hi PR | 377 | 364 | 352 | 340 | 333 | 328 | 315 | 303 | 291 | 279 | 266 | 259 | 254 | 242 | 230 | 217 | 205 | 193 |
| LO PR | 129 | 121 | 113 | 105 | 100 | 97 | 89 | 81 | 73 | 65 | 57 | 52 | 49 | 41 | 33 | 25 | 17 | 9 |

Calculations are based on nominal CFM and 70 °F indoor dry bulb.

Note: Shaded area is AHRI Rating Conditions at 47°F outdoor ambient temperature

Amps = Outdoor unit amps (comp.+fan)
kW = Total system power

EXPANDED HEATING DATA — NORMAL HEATING MODE (CONT.)

ASZS604210A* + AHVE48DP1400A*

| | OUTDOOR AMBIENT TEMPERATURE | | | | | | | | | | | | | | | | | |
|-------|-----------------------------|------|------|------|------|------|------|------|------|------|------|------|------|------|------|------|------|------|
| | 65 | 60 | 55 | 50 | 47 | 45 | 40 | 35 | 30 | 25 | 20 | 17 | 15 | 10 | 5 | 0 | -5 | -10 |
| MBh | 50.8 | 47.8 | 44.8 | 41.9 | 40.0 | 38.6 | 35.2 | 43.1 | 40.1 | 37.8 | 36.2 | 35.3 | 34.1 | 31.2 | 28.3 | 25.1 | 22.1 | 19.0 |
| T/R | 34 | 33 | 31 | 29 | 28 | 27 | 25 | 30 | 28 | 27 | 25 | 25 | 24 | 22 | 20 | 18 | 16 | 14 |
| KW | 3.99 | 3.90 | 3.81 | 3.72 | 3.66 | 3.63 | 3.54 | 5.44 | 5.26 | 5.08 | 4.90 | 4.79 | 4.72 | 4.54 | 4.36 | 4.18 | 4.00 | 3.82 |
| AMPS | 15.3 | 14.9 | 14.5 | 14.1 | 13.8 | 13.7 | 13.3 | 21.5 | 20.8 | 20.0 | 19.2 | 18.7 | 18.4 | 17.6 | 16.9 | 16.1 | 15.3 | 14.5 |
| COP | 3.73 | 3.59 | 3.45 | 3.30 | 3.20 | 3.12 | 2.92 | 2.32 | 2.24 | 2.18 | 2.16 | 2.16 | 2.12 | 2.02 | 1.90 | 1.76 | 1.62 | 1.46 |
| Hi PR | 383 | 370 | 358 | 346 | 338 | 333 | 321 | 328 | 315 | 302 | 288 | 280 | 275 | 262 | 249 | 235 | 222 | 209 |
| LO PR | 130 | 122 | 114 | 106 | 101 | 97 | 89 | 78 | 71 | 63 | 55 | 50 | 47 | 39 | 32 | 24 | 16 | 8 |

ASZS604810A* + AHVE48DP1400A*

| | OUTDOOR AMBIENT TEMPERATURE | | | | | | | | | | | | | | | | | |
|-------|-----------------------------|------|------|------|------|------|------|------|------|------|------|------|------|------|------|------|------|------|
| | 65 | 60 | 55 | 50 | 47 | 45 | 40 | 35 | 30 | 25 | 20 | 17 | 15 | 10 | 5 | 0 | -5 | -10 |
| MBh | 57.4 | 54.1 | 50.8 | 47.6 | 45.5 | 44.0 | 40.3 | 44.7 | 41.4 | 38.9 | 37.2 | 36.2 | 34.9 | 31.8 | 28.6 | 25.4 | 22.3 | 19.1 |
| T/R | 37 | 35 | 33 | 32 | 31 | 30 | 27 | 30 | 28 | 26 | 25 | 24 | 23 | 21 | 19 | 17 | 15 | 13 |
| KW | 4.83 | 4.72 | 4.61 | 4.51 | 4.45 | 4.40 | 4.30 | 5.18 | 5.02 | 4.86 | 4.69 | 4.59 | 4.53 | 4.36 | 4.20 | 4.04 | 3.87 | 3.71 |
| AMPS | 18.8 | 18.3 | 17.9 | 17.4 | 17.1 | 17.0 | 16.5 | 20.4 | 19.6 | 18.9 | 18.2 | 17.8 | 17.5 | 16.8 | 16.1 | 15.4 | 14.6 | 13.9 |
| COP | 3.48 | 3.36 | 3.23 | 3.09 | 3.00 | 2.93 | 2.75 | 2.53 | 2.42 | 2.35 | 2.32 | 2.31 | 2.26 | 2.13 | 2.00 | 1.85 | 1.69 | 1.51 |
| Hi PR | 399 | 386 | 373 | 360 | 353 | 347 | 334 | 326 | 313 | 300 | 287 | 279 | 274 | 260 | 247 | 234 | 221 | 208 |
| LO PR | 126 | 118 | 110 | 102 | 98 | 95 | 87 | 78 | 71 | 63 | 55 | 50 | 47 | 39 | 32 | 24 | 16 | 8 |

ASZS606010A* + AHVE60DP1400A*

| | OUTDOOR AMBIENT TEMPERATURE | | | | | | | | | | | | | | | | | |
|-------|-----------------------------|------|------|------|------|------|------|------|------|------|------|------|------|------|------|------|------|------|
| | 65 | 60 | 55 | 50 | 47 | 45 | 40 | 35 | 30 | 25 | 20 | 17 | 15 | 10 | 5 | 0 | -5 | -10 |
| MBh | 68.9 | 64.9 | 60.9 | 57.0 | 54.5 | 52.7 | 48.2 | 51.1 | 47.4 | 44.5 | 42.5 | 41.4 | 40.0 | 36.4 | 32.9 | 29.3 | 25.7 | 22.1 |
| T/R | 37 | 36 | 34 | 32 | 31 | 30 | 27 | 29 | 27 | 25 | 24 | 23 | 23 | 21 | 19 | 17 | 15 | 12 |
| KW | 6.03 | 5.89 | 5.74 | 5.59 | 5.51 | 5.45 | 5.30 | 6.27 | 6.02 | 5.78 | 5.54 | 5.40 | 5.30 | 5.06 | 4.82 | 4.58 | 4.34 | 4.10 |
| AMPS | 23.6 | 23.0 | 22.4 | 21.7 | 21.3 | 21.1 | 20.5 | 24.6 | 23.6 | 22.5 | 21.5 | 20.9 | 20.5 | 19.4 | 18.4 | 17.3 | 16.3 | 15.2 |
| COP | 3.35 | 3.23 | 3.11 | 2.99 | 2.90 | 2.83 | 2.66 | 2.39 | 2.30 | 2.26 | 2.25 | 2.25 | 2.21 | 2.11 | 2.00 | 1.87 | 1.74 | 1.58 |
| Hi PR | 399 | 386 | 373 | 360 | 352 | 347 | 334 | 325 | 312 | 299 | 286 | 278 | 273 | 260 | 247 | 233 | 220 | 207 |
| LO PR | 124 | 117 | 109 | 101 | 96 | 93 | 86 | 76 | 68 | 61 | 53 | 49 | 46 | 38 | 31 | 23 | 16 | 8 |

Calculations are based on nominal CFM and 70 °F indoor dry bulb.

Note: Shaded area is AHRI Rating Conditions at 47°F outdoor ambient temperature

Amps = Outdoor unit amps (comp.+fan)

kW = Total system power

EXPANDED HEATING DATA — HEATING BOOST MODE

ASZS601810A* + AHVE24BP1400A*

| | OUTDOOR AMBIENT TEMPERATURE | | | | | | | |
|-------|-----------------------------|------|------|------|------|------|------|-----------------------------|
| | 65 | 60 | 55 | 50 | 47 | 45 | 40 | 35 OR LOWER |
| MBh | 23.4 | 22.0 | 20.6 | 19.2 | 18.3 | 17.7 | 16.0 | Same as normal heating mode |
| T/R | 34 | 32 | 31 | 29 | 28 | 27 | 24 | |
| KW | 1.66 | 1.62 | 1.58 | 1.53 | 1.51 | 1.49 | 1.45 | |
| AMPS | 6.3 | 6.1 | 5.9 | 5.7 | 5.6 | 5.5 | 5.3 | |
| COP | 4.13 | 3.98 | 3.83 | 3.67 | 3.56 | 3.47 | 3.25 | |
| Hi PR | 387 | 375 | 362 | 350 | 342 | 337 | 324 | |
| LO PR | 136 | 128 | 119 | 111 | 106 | 102 | 94 | |

ASZS602410A* + AHVE24BP1400A*

| | OUTDOOR AMBIENT TEMPERATURE | | | | | | | |
|-------|-----------------------------|------|------|------|------|------|------|-----------------------------|
| | 65 | 60 | 55 | 50 | 47 | 45 | 40 | 35 OR LOWER |
| MBh | 31.1 | 29.2 | 27.4 | 25.6 | 24.4 | 23.6 | 21.5 | Same as normal heating mode |
| T/R | 35 | 33 | 31 | 29 | 28 | 27 | 25 | |
| KW | 2.50 | 2.42 | 2.34 | 2.26 | 2.21 | 2.18 | 2.10 | |
| AMPS | 9.6 | 9.3 | 8.9 | 8.6 | 8.4 | 8.2 | 7.9 | |
| COP | 3.64 | 3.54 | 3.43 | 3.31 | 3.23 | 3.16 | 2.99 | |
| Hi PR | 397 | 384 | 371 | 358 | 350 | 345 | 332 | |
| LO PR | 134 | 126 | 118 | 109 | 104 | 101 | 93 | |

ASZS603010A* + AHVE36CP1400A*

| | OUTDOOR AMBIENT TEMPERATURE | | | | | | | |
|-------|-----------------------------|------|------|------|------|------|------|-----------------------------|
| | 65 | 60 | 55 | 50 | 47 | 45 | 40 | 35 OR LOWER |
| MBh | 38.7 | 36.4 | 34.1 | 31.9 | 30.4 | 29.3 | 26.7 | Same as normal heating mode |
| T/R | 34 | 32 | 31 | 29 | 28 | 27 | 24 | |
| KW | 3.36 | 3.24 | 3.12 | 3.00 | 2.93 | 2.88 | 2.76 | |
| AMPS | 13.0 | 12.5 | 12.0 | 11.5 | 11.1 | 10.9 | 10.4 | |
| COP | 3.37 | 3.29 | 3.20 | 3.11 | 3.04 | 2.98 | 2.83 | |
| Hi PR | 372 | 360 | 348 | 336 | 328 | 324 | 312 | |
| LO PR | 131 | 123 | 115 | 106 | 102 | 98 | 90 | |

ASZS603610A* + AHVE36CP1400A*

| | OUTDOOR AMBIENT TEMPERATURE | | | | | | | |
|-------|-----------------------------|------|------|------|------|------|------|-----------------------------|
| | 65 | 60 | 55 | 50 | 47 | 45 | 40 | 35 OR LOWER |
| MBh | 44.0 | 41.5 | 39.0 | 36.5 | 34.9 | 33.7 | 30.9 | Same as normal heating mode |
| T/R | 31 | 30 | 28 | 27 | 26 | 25 | 23 | |
| KW | 4.12 | 3.97 | 3.83 | 3.68 | 3.59 | 3.53 | 3.38 | |
| AMPS | 15.9 | 15.3 | 14.6 | 14.0 | 13.6 | 13.3 | 12.7 | |
| COP | 3.13 | 3.06 | 2.99 | 2.91 | 2.85 | 2.80 | 2.68 | |
| Hi PR | 377 | 364 | 352 | 340 | 333 | 328 | 315 | |
| LO PR | 129 | 121 | 113 | 105 | 100 | 97 | 89 | |

Calculations are based on nominal CFM and 70 °F indoor dry bulb.

Note: Shaded area is AHRI Rating Conditions at 47°F outdoor ambient temperature

Amps = Outdoor unit amps (comp.+fan)

KW= Total system power

ASZS604210A* + AHVE48DP1400A*

| | OUTDOOR AMBIENT TEMPERATURE | | | | | | | |
|-------|-----------------------------|------|------|------|------|------|------|------------------------------------|
| | 65 | 60 | 55 | 50 | 47 | 45 | 40 | 35 OR LOWER |
| MBh | 53.2 | 50.0 | 47.0 | 44.0 | 42.0 | 40.6 | 37.1 | Same as normal heating mode |
| T/R | 36 | 34 | 32 | 31 | 29 | 29 | 26 | |
| KW | 4.62 | 4.46 | 4.30 | 4.14 | 4.05 | 3.99 | 3.83 | |
| AMPS | 18.0 | 17.3 | 16.6 | 15.9 | 15.5 | 15.2 | 14.5 | |
| COP | 3.37 | 3.29 | 3.20 | 3.11 | 3.04 | 2.98 | 2.84 | |
| Hi PR | 383 | 370 | 358 | 346 | 338 | 333 | 321 | |
| LO PR | 130 | 122 | 114 | 106 | 101 | 97 | 89 | |

ASZS604810A* + AHVE48DP1400A*

| | OUTDOOR AMBIENT TEMPERATURE | | | | | | | |
|-------|-----------------------------|------|------|------|------|------|------|------------------------------------|
| | 65 | 60 | 55 | 50 | 47 | 45 | 40 | 35 OR LOWER |
| MBh | 60.3 | 56.8 | 53.5 | 50.2 | 48.0 | 46.4 | 42.7 | Same as normal heating mode |
| T/R | 39 | 37 | 35 | 33 | 32 | 31 | 29 | |
| KW | 5.71 | 5.49 | 5.28 | 5.06 | 4.94 | 4.85 | 4.64 | |
| AMPS | 22.6 | 21.7 | 20.8 | 19.8 | 19.3 | 18.9 | 18.0 | |
| COP | 3.10 | 3.03 | 2.97 | 2.90 | 2.85 | 2.81 | 2.70 | |
| Hi PR | 399 | 386 | 373 | 360 | 353 | 347 | 334 | |
| LO PR | 126 | 118 | 110 | 102 | 98 | 95 | 87 | |

ASZS606010A* + AHVE60DP1400A*

| | OUTDOOR AMBIENT TEMPERATURE | | | | | | | |
|-------|-----------------------------|------|------|------|------|------|------|------------------------------------|
| | 65 | 60 | 55 | 50 | 47 | 45 | 40 | 35 OR LOWER |
| MBh | 72.7 | 68.5 | 64.3 | 60.2 | 57.5 | 55.6 | 50.9 | Same as normal heating mode |
| T/R | 39 | 38 | 36 | 34 | 32 | 31 | 29 | |
| KW | 7.11 | 6.81 | 6.51 | 6.21 | 6.03 | 5.91 | 5.61 | |
| AMPS | 28.3 | 27.0 | 25.7 | 24.4 | 23.6 | 23.1 | 21.8 | |
| COP | 3.00 | 2.95 | 2.89 | 2.84 | 2.79 | 2.75 | 2.65 | |
| Hi PR | 404 | 391 | 378 | 364 | 357 | 351 | 338 | |
| LO PR | 122 | 115 | 107 | 100 | 95 | 92 | 84 | |

Calculations are based on nominal CFM and 70 °F indoor dry bulb.

Amps = Outdoor unit amps (comp.+fan)

Note: Shaded area is AHRI Rating Conditions at 47°F outdoor ambient temperature

KW= Total system power

ENHANCED – EXPANDED HEATING DATA — NO HEATING BOOST MODE

ASZS60241EA*+AHVE36CP1400A*

| | OUTDOOR AMBIENT TEMPERATURE | | | | | | | | | | | | | | | | | |
|-------|-----------------------------|------|------|------|------|------|------|------|------|------|------|------|------|------|------|------|------|------|
| | 65 | 60 | 55 | 50 | 47 | 45 | 40 | 35 | 30 | 25 | 20 | 17 | 15 | 10 | 5 | 0 | -5 | -10 |
| MBh | 28.3 | 26.8 | 25.4 | 23.9 | 23.0 | 22.3 | 20.8 | 23.6 | 22.2 | 21.0 | 20.2 | 19.7 | 19.1 | 17.6 | 16.1 | 14.6 | 13.1 | 11.6 |
| T/R | 31 | 30 | 29 | 27 | 27 | 26 | 24 | 28 | 26 | 24 | 23 | 23 | 22 | 20 | 19 | 17 | 15 | 13 |
| KW | 2.19 | 2.15 | 2.11 | 2.07 | 2.04 | 2.03 | 1.99 | 2.80 | 2.73 | 2.66 | 2.60 | 2.56 | 2.53 | 2.46 | 2.39 | 2.33 | 2.26 | 2.20 |
| AMPS | 8.2 | 8.1 | 7.9 | 7.7 | 7.6 | 7.5 | 7.4 | 10.9 | 10.6 | 10.3 | 10.0 | 9.8 | 9.7 | 9.4 | 9.2 | 8.9 | 8.6 | 8.3 |
| COP | 3.79 | 3.66 | 3.53 | 3.39 | 3.30 | 3.23 | 3.07 | 2.48 | 2.38 | 2.31 | 2.28 | 2.26 | 2.21 | 2.09 | 2.00 | 1.84 | 1.70 | 1.55 |
| Hi PR | 366 | 354 | 342 | 330 | 323 | 318 | 306 | 330 | 317 | 303 | 290 | 282 | 277 | 263 | 250 | 237 | 223 | 210 |
| LO PR | 403 | 378 | 353 | 328 | 313 | 303 | 278 | 76 | 69 | 61 | 54 | 49 | 46 | 38 | 31 | 23 | 16 | 8 |

ASZS60361EA*+AHVE48DP1400A*

| | OUTDOOR AMBIENT TEMPERATURE | | | | | | | | | | | | | | | | | |
|-------|-----------------------------|------|------|------|------|------|------|------|------|------|------|------|------|------|------|------|------|------|
| | 65 | 60 | 55 | 50 | 47 | 45 | 40 | 35 | 30 | 25 | 20 | 17 | 15 | 10 | 5 | 0 | -5 | -10 |
| MBh | 42.6 | 40.2 | 37.9 | 35.7 | 34.2 | 33.1 | 30.7 | 44.7 | 41.9 | 39.5 | 37.9 | 37.0 | 35.9 | 32.9 | 30.0 | 27.1 | 24.1 | 21.2 |
| T/R | 30 | 29 | 27 | 26 | 25 | 24 | 23 | 34 | 31 | 30 | 28 | 28 | 27 | 25 | 23 | 20 | 18 | 16 |
| KW | 3.30 | 3.23 | 3.16 | 3.08 | 3.04 | 3.01 | 2.93 | 5.46 | 5.28 | 5.10 | 4.93 | 4.82 | 4.75 | 4.57 | 4.40 | 4.22 | 4.04 | 3.86 |
| AMPS | 12.4 | 12.0 | 11.7 | 11.4 | 11.2 | 11.1 | 10.8 | 20.8 | 20.0 | 19.3 | 18.6 | 18.1 | 17.8 | 17.1 | 16.3 | 15.6 | 14.9 | 14.1 |
| COP | 3.77 | 3.65 | 3.52 | 3.39 | 3.30 | 3.23 | 3.06 | 2.40 | 2.32 | 2.27 | 2.25 | 2.25 | 2.21 | 2.11 | 2.00 | 1.88 | 1.75 | 1.61 |
| Hi PR | 364 | 352 | 341 | 329 | 322 | 317 | 305 | 363 | 348 | 333 | 319 | 310 | 304 | 289 | 275 | 260 | 246 | 231 |
| LO PR | 387 | 363 | 339 | 315 | 301 | 291 | 267 | 72 | 65 | 58 | 50 | 46 | 43 | 36 | 29 | 22 | 15 | 8 |

ASZS60421EA*+AHVE60DP1400A*

| | OUTDOOR AMBIENT TEMPERATURE | | | | | | | | | | | | | | | | | |
|-------|-----------------------------|------|------|------|------|------|------|------|------|------|------|------|------|------|------|------|------|------|
| | 65 | 60 | 55 | 50 | 47 | 45 | 40 | 35 | 30 | 25 | 20 | 17 | 15 | 10 | 5 | 0 | -5 | -10 |
| MBh | 49.1 | 46.6 | 44.1 | 41.6 | 40.0 | 38.8 | 36.2 | 46.9 | 43.6 | 41.1 | 39.3 | 38.3 | 37.0 | 33.8 | 30.6 | 27.4 | 24.2 | 21.0 |
| T/R | 33 | 32 | 30 | 29 | 28 | 27 | 25 | 32 | 30 | 28 | 27 | 26 | 25 | 23 | 21 | 19 | 16 | 14 |
| KW | 3.79 | 3.72 | 3.66 | 3.59 | 3.55 | 3.53 | 3.46 | 5.68 | 5.48 | 5.28 | 5.08 | 4.96 | 4.88 | 4.68 | 4.48 | 4.29 | 4.09 | 3.89 |
| AMPS | 14.4 | 14.1 | 13.8 | 13.5 | 13.4 | 13.2 | 12.9 | 20.0 | 19.2 | 18.4 | 17.6 | 17.2 | 16.9 | 16.1 | 15.3 | 14.5 | 13.8 | 13.0 |
| COP | 3.80 | 3.66 | 3.53 | 3.40 | 3.30 | 3.23 | 3.07 | 2.42 | 2.33 | 2.28 | 2.27 | 2.26 | 2.22 | 2.12 | 2.00 | 1.87 | 1.73 | 1.58 |
| Hi PR | 381 | 368 | 356 | 344 | 336 | 331 | 319 | 338 | 324 | 310 | 297 | 288 | 283 | 269 | 256 | 242 | 228 | 215 |
| LO PR | 398 | 373 | 348 | 324 | 309 | 299 | 274 | 78 | 70 | 62 | 55 | 50 | 47 | 39 | 31 | 24 | 16 | 8 |

ASZS60481EA*+AHVE60DP1400A*

| | OUTDOOR AMBIENT TEMPERATURE | | | | | | | | | | | | | | | | | |
|-------|-----------------------------|------|------|------|------|------|------|------|------|------|------|------|------|------|------|------|------|------|
| | 65 | 60 | 55 | 50 | 47 | 45 | 40 | 35 | 30 | 25 | 20 | 17 | 15 | 10 | 5 | 0 | -5 | -10 |
| MBh | 55.7 | 52.5 | 49.2 | 46.1 | 44.0 | 42.5 | 38.9 | 47.5 | 44.2 | 41.6 | 39.8 | 38.8 | 37.5 | 34.3 | 31.0 | 27.7 | 24.5 | 21.2 |
| T/R | 36 | 34 | 32 | 31 | 30 | 29 | 26 | 32 | 30 | 28 | 27 | 26 | 25 | 23 | 21 | 19 | 16 | 14 |
| KW | 4.36 | 4.23 | 4.11 | 3.98 | 3.91 | 3.86 | 3.73 | 5.75 | 5.55 | 5.35 | 5.15 | 5.03 | 4.95 | 4.74 | 4.54 | 4.34 | 4.14 | 3.94 |
| AMPS | 16.8 | 16.2 | 15.7 | 15.1 | 14.8 | 14.6 | 14.0 | 20.0 | 19.2 | 18.4 | 17.6 | 17.2 | 16.9 | 16.1 | 15.3 | 14.5 | 13.8 | 13.0 |
| COP | 3.75 | 3.63 | 3.51 | 3.39 | 3.30 | 3.23 | 3.05 | 2.42 | 2.33 | 2.28 | 2.27 | 2.26 | 2.22 | 2.12 | 2.00 | 1.87 | 1.73 | 1.58 |
| Hi PR | 381 | 368 | 356 | 344 | 336 | 331 | 319 | 338 | 324 | 310 | 297 | 288 | 283 | 269 | 256 | 242 | 228 | 215 |
| LO PR | 398 | 373 | 348 | 324 | 309 | 299 | 274 | 78 | 70 | 62 | 55 | 50 | 47 | 39 | 31 | 24 | 16 | 8 |

Calculations are based on nominal CFM and 70 °F indoor dry bulb.

Amps = Outdoor unit amps (comp.+fan)

Note: Shaded area is AHRI Rating Conditions at 47°F outdoor ambient temperature

KW= Total system power

ASZS60241EA*+AHVE36CP1400A*

| | OUTDOOR AMBIENT TEMPERATURE | | | | | | | |
|-------|-----------------------------|------|------|------|------|------|------|--------------------------------------|
| | 65 | 60 | 55 | 50 | 47 | 45 | 40 | 35 OR LOWER |
| MBh | 35.5 | 33.6 | 31.8 | 29.9 | 28.7 | 27.9 | 25.9 | Same as No Heating boost mode |
| T/R | 40 | 38 | 36 | 34 | 33 | 32 | 30 | |
| KW | 3.19 | 3.13 | 3.06 | 2.99 | 2.95 | 2.93 | 2.86 | |
| AMPS | 12.6 | 12.3 | 12.0 | 11.8 | 11.6 | 11.5 | 11.2 | |
| COP | 3.26 | 3.15 | 3.04 | 2.93 | 2.85 | 2.79 | 2.65 | |
| HI PR | 410 | 397 | 384 | 370 | 362 | 357 | 344 | |
| LO PR | 122 | 114 | 107 | 99 | 95 | 92 | 84 | |

ASZS60361EA*+AHVE48DP1400A*

| | OUTDOOR AMBIENT TEMPERATURE | | | | | | | |
|-------|-----------------------------|------|------|------|------|------|------|--------------------------------------|
| | 65 | 60 | 55 | 50 | 47 | 45 | 40 | 35 OR LOWER |
| MBh | 67.8 | 64.1 | 60.5 | 56.9 | 54.6 | 52.9 | 49.1 | Same as No Heating boost mode |
| T/R | 49 | 47 | 45 | 42 | 41 | 40 | 37 | |
| KW | 6.52 | 6.34 | 6.17 | 5.99 | 5.88 | 5.81 | 5.64 | |
| AMPS | 25.2 | 24.5 | 23.7 | 23.0 | 22.6 | 22.3 | 21.5 | |
| COP | 3.05 | 2.96 | 2.87 | 2.79 | 2.72 | 2.67 | 2.55 | |
| HI PR | 451 | 436 | 421 | 407 | 398 | 392 | 377 | |
| LO PR | 115 | 108 | 100 | 93 | 89 | 86 | 79 | |

ASZS60421EA*+AHVE60DP1400A*

| | OUTDOOR AMBIENT TEMPERATURE | | | | | | | |
|-------|-----------------------------|------|------|------|------|------|------|--------------------------------------|
| | 65 | 60 | 55 | 50 | 47 | 45 | 40 | 35 OR LOWER |
| MBh | 71.9 | 67.9 | 64.0 | 60.1 | 57.6 | 55.7 | 51.5 | Same as No Heating boost mode |
| T/R | 47 | 45 | 43 | 40 | 39 | 38 | 35 | |
| KW | 6.87 | 6.67 | 6.47 | 6.27 | 6.15 | 6.07 | 5.88 | |
| AMPS | 24.6 | 23.9 | 23.1 | 22.3 | 21.8 | 21.5 | 20.8 | |
| COP | 3.07 | 2.98 | 2.90 | 2.81 | 2.74 | 2.69 | 2.57 | |
| HI PR | 419 | 406 | 392 | 378 | 370 | 365 | 351 | |
| LO PR | 124 | 116 | 109 | 101 | 96 | 93 | 86 | |

ASZS60481EA*+AHVE60DP1400A*

| | OUTDOOR AMBIENT TEMPERATURE | | | | | | | |
|-------|-----------------------------|------|------|------|------|------|------|--------------------------------------|
| | 65 | 60 | 55 | 50 | 47 | 45 | 40 | 35 OR LOWER |
| MBh | 72.9 | 68.8 | 64.8 | 60.9 | 58.3 | 56.5 | 52.1 | Same as No Heating boost mode |
| T/R | 47 | 45 | 43 | 40 | 39 | 38 | 35 | |
| KW | 6.96 | 6.76 | 6.56 | 6.36 | 6.23 | 6.15 | 5.95 | |
| AMPS | 24.6 | 23.9 | 23.1 | 22.3 | 21.8 | 21.5 | 20.8 | |
| COP | 3.07 | 2.98 | 2.90 | 2.81 | 2.74 | 2.69 | 2.57 | |
| HI PR | 419 | 406 | 392 | 378 | 370 | 365 | 351 | |
| LO PR | 124 | 116 | 109 | 101 | 96 | 93 | 86 | |

Calculations are based on nominal CFM and 70 °F indoor dry bulb.

Note: Shaded area is AHRI Rating Conditions at 47°F outdoor ambient temperature

Amps = Outdoor unit amps (comp.+fan)

KW= Total system power

| NORMAL MODE - COOLING | | SOUND POWER LEVEL ¹ | | | | | | |
|-----------------------|-------------------------------|---|------|------|------|------|------|------|
| TONNAGE | TOTAL UNIT SOUND RATING (dBA) | OCTAVE BAND SPECTRUM FREQUENCY (Hz) ANALYSIS (dB) | | | | | | |
| | | 125 | 250 | 500 | 1000 | 2000 | 4000 | 8000 |
| 1.5-ton | 66 | 52.1 | 60.1 | 61.5 | 59.7 | 55.2 | 48.6 | 47.7 |
| 2-ton | 67 | 57.5 | 59.2 | 62.4 | 60.9 | 56.6 | 51.1 | 45.9 |
| 2.5-ton | 68 | 56.0 | 60.2 | 63.0 | 62.8 | 58.0 | 54.4 | 46.3 |
| 3-ton | 68 | 57.2 | 59.2 | 63.2 | 62.6 | 58.9 | 53.6 | 45.3 |
| 3.5-ton | 72 | 58.4 | 62.7 | 65.2 | 68.0 | 63.7 | 60.7 | 48.2 |
| 4-ton | 72 | 58.8 | 62.7 | 65.0 | 68.0 | 64.4 | 59.9 | 48.5 |
| 5-ton | 74 | 60.0 | 66.2 | 67.0 | 69.8 | 66.1 | 60.0 | 53.5 |

¹Compliant with ISO3744.

| NORMAL MODE - HEATING | | SOUND POWER LEVEL ¹ | | | | | | |
|-----------------------|-------------------------------|---|------|------|------|------|------|------|
| TONNAGE | TOTAL UNIT SOUND RATING (dBA) | OCTAVE BAND SPECTRUM FREQUENCY (Hz) ANALYSIS (dB) | | | | | | |
| | | 125 | 250 | 500 | 1000 | 2000 | 4000 | 8000 |
| 1.5-ton | 68 | 53.7 | 62.5 | 63.4 | 61.5 | 57.1 | 50.4 | 49.0 |
| 2-ton | 69 | 58.5 | 61.5 | 64.6 | 63.0 | 58.3 | 52.9 | 47.1 |
| 2.5-ton | 70 | 57.4 | 61.3 | 65.1 | 65.3 | 60.0 | 55.7 | 48.1 |
| 3-ton | 70 | 58.5 | 61.2 | 65.0 | 64.9 | 61.0 | 55.8 | 47.7 |
| 3.5-ton | 74 | 60.1 | 66.4 | 67.0 | 69.8 | 65.4 | 62.5 | 49.9 |
| 4-ton | 74 | 60.8 | 64.7 | 67.0 | 70.0 | 66.4 | 61.9 | 50.5 |
| 5-ton | 76 | 61.4 | 65.4 | 69.2 | 72.2 | 68.6 | 64.1 | 52.7 |

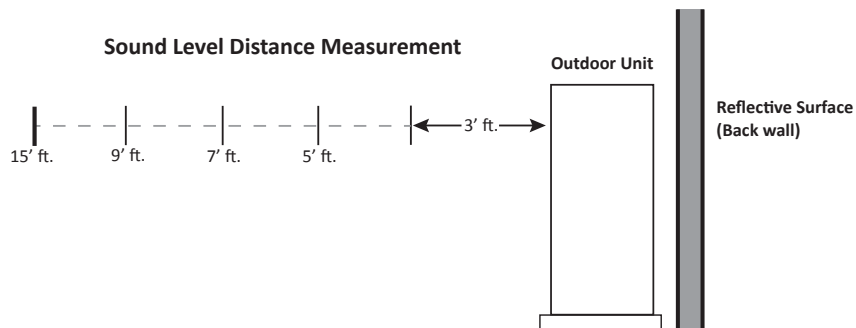
¹Compliant with ISO3744.

| NORMAL MODE - COOLING | | SOUND POWER LEVEL ¹ | | | | | | |
|-----------------------|-------------------------------|---|------|------|------|------|------|------|
| TONNAGE | TOTAL UNIT SOUND RATING (dBA) | OCTAVE BAND SPECTRUM FREQUENCY (Hz) ANALYSIS (dB) | | | | | | |
| | | 125 | 250 | 500 | 1000 | 2000 | 4000 | 8000 |
| 2-ton | 68 | 56.0 | 60.2 | 63.0 | 62.8 | 58.0 | 54.4 | 46.3 |
| 3-ton | 72 | 58.4 | 62.7 | 65.2 | 68.0 | 63.7 | 60.7 | 48.2 |
| 3.5-ton | 74 | 60.0 | 66.2 | 67.0 | 69.8 | 66.1 | 60.0 | 53.5 |
| 4-ton | 74 | 60.0 | 66.2 | 67.0 | 69.8 | 66.1 | 60.0 | 53.5 |

¹Compliant with ISO3744.

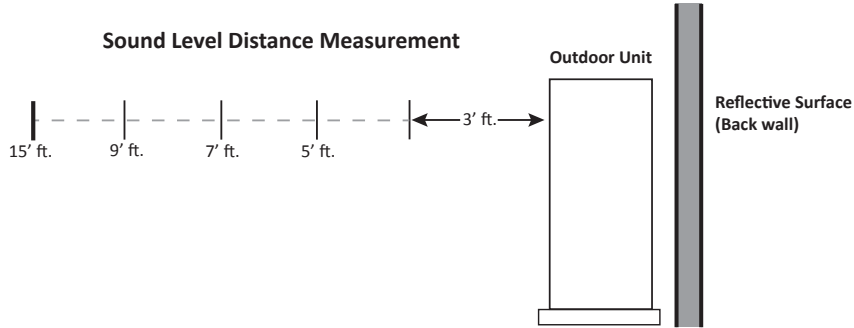
| NORMAL MODE - HEATING | | SOUND POWER LEVEL ¹ | | | | | | |
|-----------------------|-------------------------------|---|------|------|------|------|------|------|
| TONNAGE | TOTAL UNIT SOUND RATING (dBA) | OCTAVE BAND SPECTRUM FREQUENCY (Hz) ANALYSIS (dB) | | | | | | |
| | | 125 | 250 | 500 | 1000 | 2000 | 4000 | 8000 |
| 2-ton | 70 | 57.4 | 61.3 | 65.1 | 65.3 | 60.0 | 55.7 | 48.1 |
| 3-ton | 74 | 60.1 | 66.4 | 67.0 | 69.8 | 65.4 | 62.5 | 49.9 |
| 3.5-ton | 76 | 61.4 | 65.4 | 69.2 | 72.2 | 68.6 | 64.1 | 52.7 |
| 4-ton | 76 | 61.4 | 65.4 | 69.2 | 72.2 | 68.6 | 64.1 | 52.7 |

¹Compliant with ISO3744.



| | | SOUND PRESSURE (dBA) COOLING MODE ¹ | | | | |
|---------|-------------------------|--|----|----|----|-----|
| | | DISTANCE FROM PROPERTY LINE | | | | |
| TONNAGE | REFLECTIVE SURFACE QTY. | 3' | 5' | 7' | 9' | 15' |
| 1.5-ton | 0 | 59 | 54 | 51 | 49 | 45 |
| | 1 | 62 | 57 | 54 | 52 | 48 |
| | 2 | 65 | 60 | 57 | 55 | 51 |
| 2-ton | 0 | 60 | 55 | 52 | 50 | 46 |
| | 1 | 63 | 58 | 55 | 53 | 49 |
| | 2 | 66 | 61 | 58 | 56 | 52 |
| 2.5-ton | 0 | 61 | 56 | 53 | 51 | 47 |
| | 1 | 64 | 59 | 56 | 54 | 50 |
| | 2 | 67 | 62 | 59 | 57 | 53 |
| 3-ton | 0 | 61 | 56 | 53 | 51 | 47 |
| | 1 | 64 | 59 | 56 | 54 | 50 |
| | 2 | 67 | 62 | 59 | 57 | 53 |
| 3.5-ton | 0 | 65 | 60 | 57 | 55 | 51 |
| | 1 | 68 | 63 | 60 | 58 | 54 |
| | 2 | 71 | 66 | 63 | 61 | 57 |
| 4-ton | 0 | 65 | 60 | 57 | 55 | 51 |
| | 1 | 68 | 63 | 60 | 58 | 54 |
| | 2 | 71 | 66 | 63 | 61 | 57 |
| 5-ton | 0 | 67 | 62 | 59 | 57 | 53 |
| | 1 | 70 | 65 | 62 | 60 | 56 |
| | 2 | 73 | 68 | 65 | 63 | 59 |

¹ Compliant with AHRI 275 utilizing standard mode, total sound levels



| | | SOUND PRESSURE (dBA) COOLING MODE¹ | | | | |
|----------------|--------------------------------|--|-----------|-----------|-----------|------------|
| | | DISTANCE FROM PROPERTY LINE | | | | |
| TONNAGE | REFLECTIVE SURFACE QTY. | 3' | 5' | 7' | 9' | 15' |
| 2-ton | 0 | 61 | 56 | 53 | 51 | 47 |
| | 1 | 64 | 59 | 56 | 54 | 50 |
| | 2 | 67 | 62 | 59 | 57 | 53 |
| 3-ton | 0 | 65 | 60 | 57 | 55 | 51 |
| | 1 | 68 | 63 | 60 | 58 | 54 |
| | 2 | 71 | 66 | 63 | 61 | 57 |
| 3.5-ton | 0 | 67 | 62 | 59 | 57 | 53 |
| | 1 | 70 | 65 | 62 | 60 | 56 |
| | 2 | 73 | 68 | 65 | 63 | 59 |
| 4-ton | 0 | 67 | 62 | 59 | 57 | 53 |
| | 1 | 70 | 65 | 62 | 60 | 56 |
| | 2 | 73 | 68 | 65 | 63 | 59 |

¹ Compliant with AHRI 275 utilizing standard mode, total sound levels

| | | SOUND PRESSURE (dBA) HEATING MODE¹ | | | | |
|----------------|--------------------------------|--|-----------|-----------|-----------|------------|
| | | DISTANCE FROM PROPERTY LINE | | | | |
| TONNAGE | REFLECTIVE SURFACE QTY. | 3' | 5' | 7' | 9' | 15' |
| 2-ton | 0 | 63 | 58 | 55 | 53 | 49 |
| | 1 | 66 | 61 | 58 | 56 | 52 |
| | 2 | 69 | 64 | 61 | 59 | 55 |
| 3-ton | 0 | 67 | 62 | 59 | 57 | 53 |
| | 1 | 70 | 65 | 62 | 60 | 56 |
| | 2 | 73 | 68 | 65 | 63 | 59 |
| 3.5-ton | 0 | 69 | 64 | 61 | 59 | 55 |
| | 1 | 72 | 67 | 64 | 62 | 58 |
| | 2 | 75 | 70 | 67 | 65 | 61 |
| 4-ton | 0 | 69 | 64 | 61 | 59 | 55 |
| | 1 | 72 | 67 | 64 | 62 | 58 |
| | 2 | 75 | 70 | 67 | 65 | 61 |

¹ Compliant with AHRI 275 utilizing standard mode, total sound levels

SOUND DATA - QUIET MODE (CONT.)

QUIET MODE - COOLING

| TONNAGE | SOUND SUPPRESSION LEVEL | SOUND POWER LEVEL (dBA) ¹ | SOUND PRESSURE LEVEL (dBA) ² |
|---------|-------------------------|--------------------------------------|---|
| 1.5-ton | LV.1 | 63 | 46 |
| | LV.2 | 60 | 43 |
| | LV.3 | 57 | 40 |
| 2-ton | LV.1 | 64 | 47 |
| | LV.2 | 61 | 44 |
| | LV.3 | 58 | 41 |
| 2.5-ton | LV.1 | 65 | 51 |
| | LV.2 | 62 | 48 |
| | LV.3 | 59 | 45 |
| 3-ton | LV.1 | 65 | 51 |
| | LV.2 | 62 | 48 |
| | LV.3 | 59 | 45 |
| 3.5-ton | LV.1 | 67 | 55 |
| | LV.2 | 62 | 50 |
| | LV.3 | 57 | 45 |
| 4-ton | LV.1 | 67 | 55 |
| | LV.2 | 62 | 50 |
| | LV.3 | 57 | 45 |
| 5-ton | LV.1 | 68 | 55 |
| | LV.2 | 63 | 50 |
| | LV.3 | 58 | 45 |

¹Compliant with ISO3744.

²Compliant with JIS B 8616 : 2006.

Quiet mode data is published at only 1 distance (3ft)

QUIET MODE - HEATING

| TONNAGE | SOUND SUPPRESSION LEVEL | SOUND POWER LEVEL (dBA) ¹ | SOUND PRESSURE LEVEL (dBA) ² |
|---------|-------------------------|--------------------------------------|---|
| 1.5-ton | LV.1 | 65 | 48 |
| | LV.2 | 62 | 45 |
| | LV.3 | 59 | 42 |
| 2-ton | LV.1 | 66 | 49 |
| | LV.2 | 63 | 46 |
| | LV.3 | 60 | 43 |
| 2.5-ton | LV.1 | 67 | 53 |
| | LV.2 | 64 | 50 |
| | LV.3 | 59 | 45 |
| 3-ton | LV.1 | 67 | 53 |
| | LV.2 | 64 | 50 |
| | LV.3 | 59 | 45 |
| 3.5-ton | LV.1 | 67 | 55 |
| | LV.2 | 62 | 50 |
| | LV.3 | 57 | 45 |
| 4-ton | LV.1 | 67 | 55 |
| | LV.2 | 62 | 50 |
| | LV.3 | 57 | 45 |
| 5-ton | LV.1 | 68 | 55 |
| | LV.2 | 63 | 50 |
| | LV.3 | 58 | 45 |

¹Compliant with ISO3744.

²Compliant with JIS B 8616 : 2006.

Quiet mode data is published at only 1 distance (3ft)

QUIET MODE - COOLING

| TONNAGE | SOUND SUPPRESSION LEVEL | SOUND POWER LEVEL (dBA) ¹ | SOUND PRESSURE LEVEL (dBA) ² |
|---------|-------------------------|--------------------------------------|---|
| 2-ton | LV.1 | 65 | 51 |
| | LV.2 | 62 | 48 |
| | LV.3 | 59 | 45 |
| 3-ton | LV.1 | 67 | 55 |
| | LV.2 | 62 | 50 |
| | LV.3 | 57 | 45 |
| 3.5-ton | LV.1 | 68 | 55 |
| | LV.2 | 63 | 50 |
| | LV.3 | 58 | 45 |
| 4-ton | LV.1 | 68 | 55 |
| | LV.2 | 63 | 50 |
| | LV.3 | 58 | 45 |

¹Compliant with ISO3744.

²Compliant with JIS B 8616 : 2006.

Quiet mode data is published at only 1 distance (3ft)

QUIET MODE - HEATING

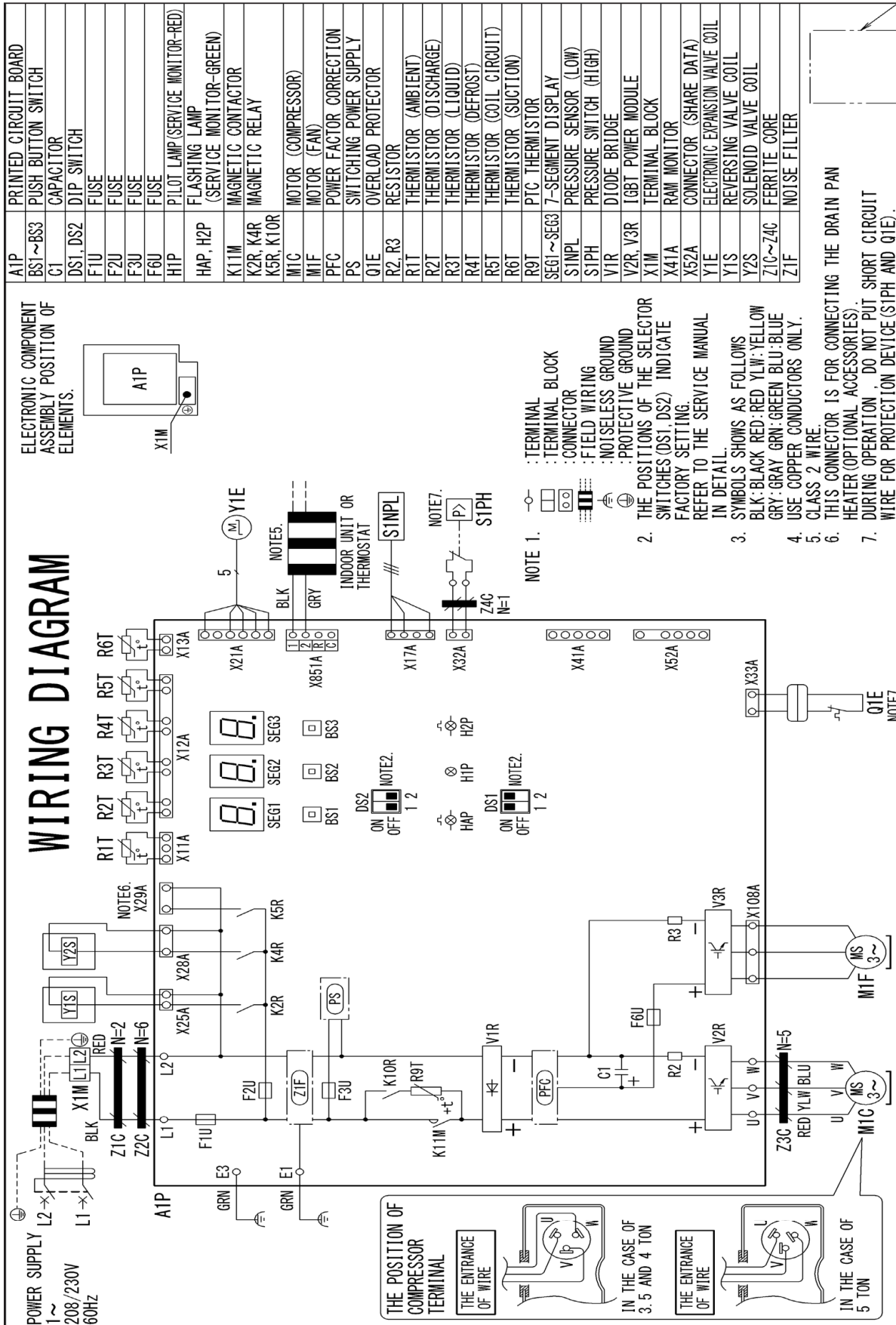
| TONNAGE | SOUND SUPPRESSION LEVEL | SOUND POWER LEVEL (dBA) ¹ | SOUND PRESSURE LEVEL (dBA) ² |
|---------|-------------------------|--------------------------------------|---|
| 2-ton | LV.1 | 67 | 53 |
| | LV.2 | 64 | 50 |
| | LV.3 | 59 | 45 |
| 3-ton | LV.1 | 67 | 55 |
| | LV.2 | 62 | 50 |
| | LV.3 | 57 | 45 |
| 3.5-ton | LV.1 | 68 | 55 |
| | LV.2 | 63 | 50 |
| | LV.3 | 58 | 45 |
| 4-ton | LV.1 | 68 | 55 |
| | LV.2 | 63 | 50 |
| | LV.3 | 58 | 45 |

¹Compliant with ISO3744.

²Compliant with JIS B 8616 : 2006.

Quiet mode data is published at only 1 distance (3ft)

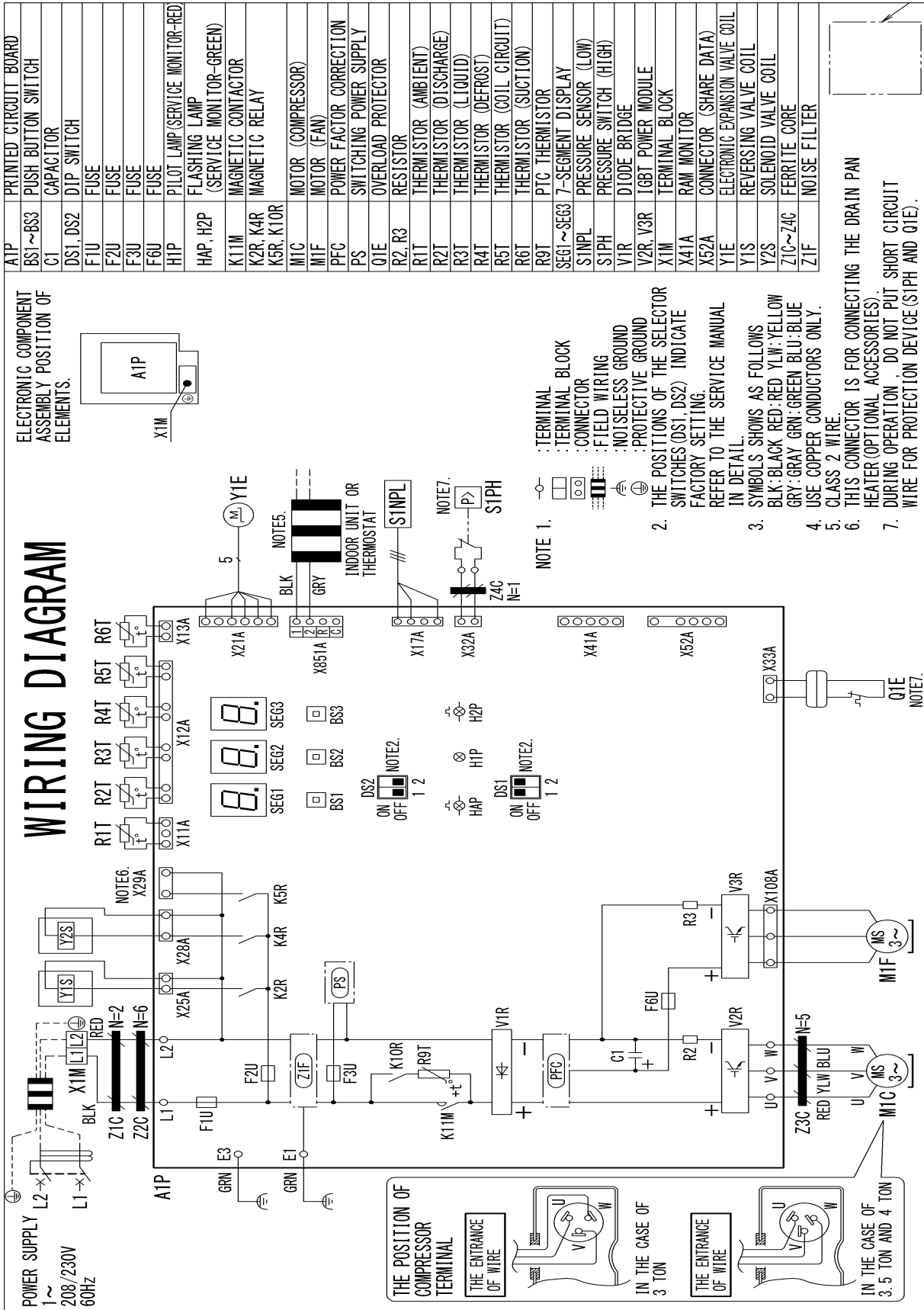
All AHRI system ratings are accessible in the System Configurator tool via PartnerLink.



WARNING

High Voltage: Disconnect all power before servicing or installing this unit. Multiple power sources may be present. Failure to do so may cause property damage, personal injury, or death.

Wiring is subject to change. Always refer to the wiring diagram or the unit for the most up-to-date wiring.

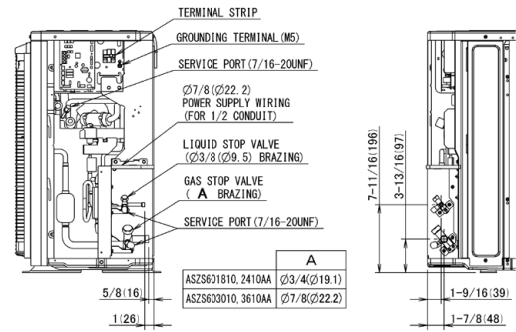
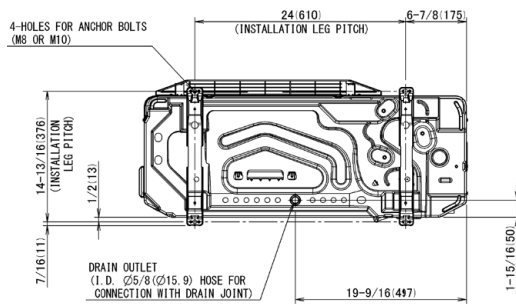
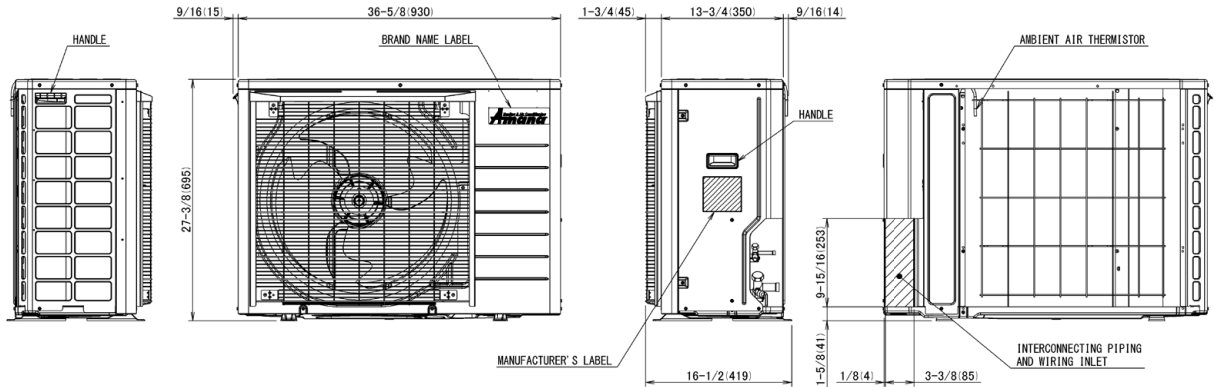


WARNING

High Voltage: Disconnect all power before servicing or installing this unit. Multiple power sources may be present. Failure to do so may cause property damage, personal injury, or death.

Wiring is subject to change. Always refer to the wiring diagram on the unit for the most up-to-date wiring.

| MODEL | DIMENSIONS | | |
|--------------|------------------|------------------|------------------|
| | W" | D" | H" |
| ASZS601810A* | 36 $\frac{5}{8}$ | 13 $\frac{3}{4}$ | 27 $\frac{3}{8}$ |
| ASZS602410A* | 36 $\frac{5}{8}$ | 13 $\frac{3}{4}$ | 27 $\frac{3}{8}$ |
| ASZS603010A* | 36 $\frac{5}{8}$ | 13 $\frac{3}{4}$ | 27 $\frac{3}{8}$ |
| ASZS603610A* | 36 $\frac{5}{8}$ | 13 $\frac{3}{4}$ | 27 $\frac{3}{8}$ |
| ASZS60241EA* | 36 $\frac{5}{8}$ | 13 $\frac{3}{4}$ | 27 $\frac{3}{8}$ |

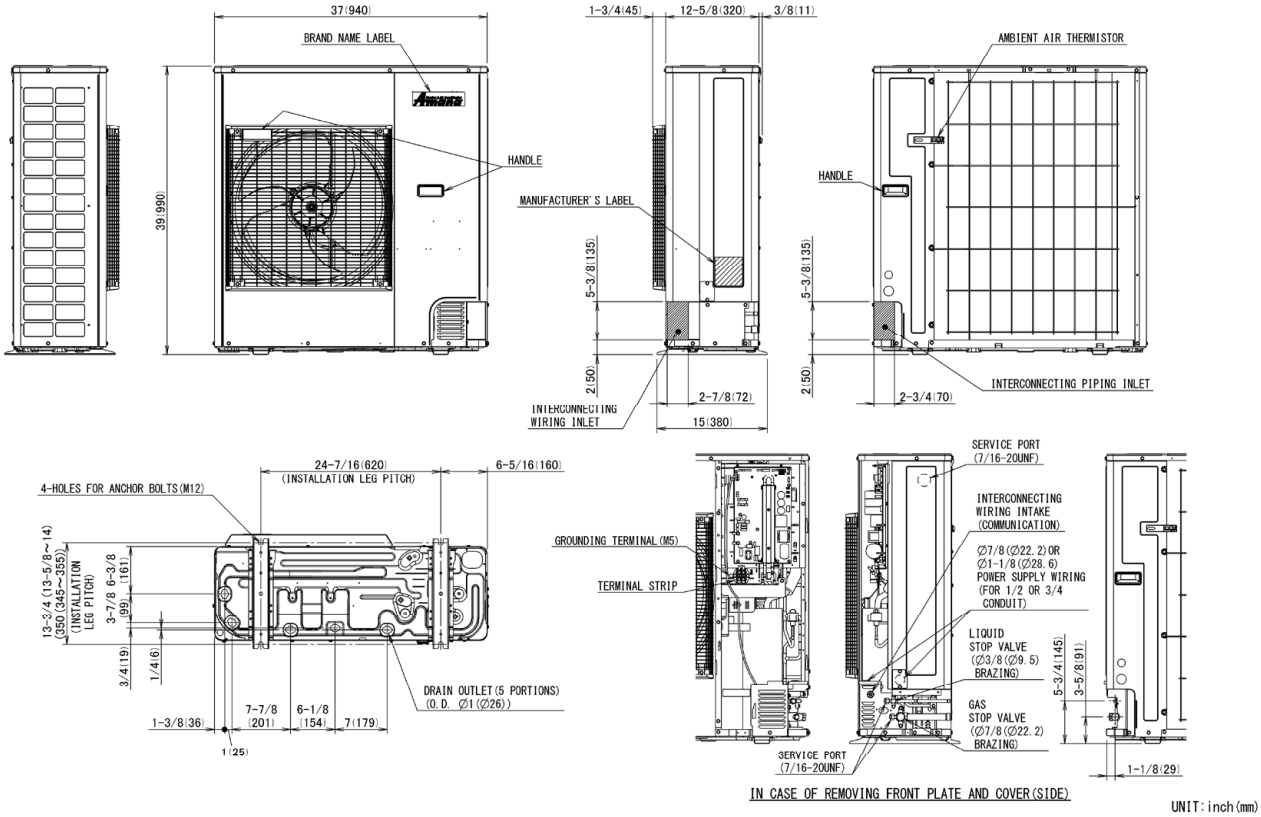


IN CASE OF REMOVING RIGHT SIDE PLATE

UNIT: inch (mm)

DIMENSIONS

| MODEL | DIMENSIONS | | |
|--------------|------------|------------------|----|
| | W" | D" | H" |
| ASZS604210A* | 37 | 12 $\frac{3}{8}$ | 39 |
| ASZS604810A* | 37 | 12 $\frac{3}{8}$ | 39 |
| ASZS606010A* | 37 | 12 $\frac{3}{8}$ | 39 |
| ASZS60361EA* | 37 | 12 $\frac{3}{8}$ | 39 |
| ASZS60421EA* | 37 | 12 $\frac{3}{8}$ | 39 |
| ASZS60481EA* | 37 | 12 $\frac{3}{8}$ | 39 |



| MODEL | DESCRIPTION | ASZS6 01810A* | ASZS6 02410A* | ASZS6 03010A* | ASZS6 03610A* | ASZS6 04210A ¹⁾ | ASZS6 04810A* | ASZS6 06010A* | ASZS6 0241EA* | ASZS6 0361EA* | ASZS6 0421EA* | ASZS6 0481EA* |
|------------------------|---|------------------|------------------|------------------|------------------|-------------------------------|------------------|------------------|------------------|------------------|------------------|------------------|
| KPW5G112 | Wind Baffle | X | X | X | X | X | X | X | X | X | X | X |
| KPS00501 ¹⁾ | Snow Guard Front | X | X | X | X | | | | X | | | |
| KPS00502 ¹⁾ | Snow Guard Rear | X | X | X | X | | | | X | | | |
| KPS00503 ¹⁾ | Snow Guard Side | X | X | X | X | | | | X | | | |
| KPS00504 ¹⁾ | Snow Guards - Complete Set | X | X | X | X | | | | X | | | |
| KPS00601 ¹⁾ | Snow Guard Front | | | | | X | X | X | | X | X | X |
| KPS00602 ¹⁾ | Snow Guard Rear | | | | | X | X | X | | X | X | X |
| KPS00603 ¹⁾ | Snow Guard Side | | | | | X | X | X | | X | X | X |
| KPS00604 ¹⁾ | Snow Guards - Complete Set | | | | | X | X | X | | X | X | X |
| 130-DK-006 | Hail Guard | X | X | X | X | | | | X | | | |
| 130-DK-008 | Hail Guard | | | | | X | X | X | | X | X | X |
| KEH3P573598 | Drain Pan Heater | X | X | X | X | | | | X | | | |
| KEH3P573567 | Drain Pan Heater | | | | | X | X | X | | X | X | X |
| DACA-WB-3 | Powder Coated Wall-Mounted Bracket | X | X | X | X | X | X | X | X | X | X | X |
| DSEN-HAQA | Daikin <i>One</i> Home Air Monitor | X | X | X | X | X | X | X | X | X | X | X |
| DQ-P-16-100 | Daikin <i>One</i> Powered Ventilator | X | X | X | X | X | X | X | X | X | X | X |

¹⁾ Product is manufactured at time of order. Lead time will be associated with purchase.

