

LOFTUS

PFXC4027 SINGLE HANDLE PULL DOWN KITCHEN FAUCET



Product Features

- Max. flow rate: 1.5 gpm (5.67L/min) at 60 psi
- Metal lever handle
- Ceramic Disc Cartridges
- 1 or 3 hole installation
- Optional deck plate included
- Two-function sprayer: stream and aerated spray
- With 3/8" compression x 29-1/2" flexible connectors

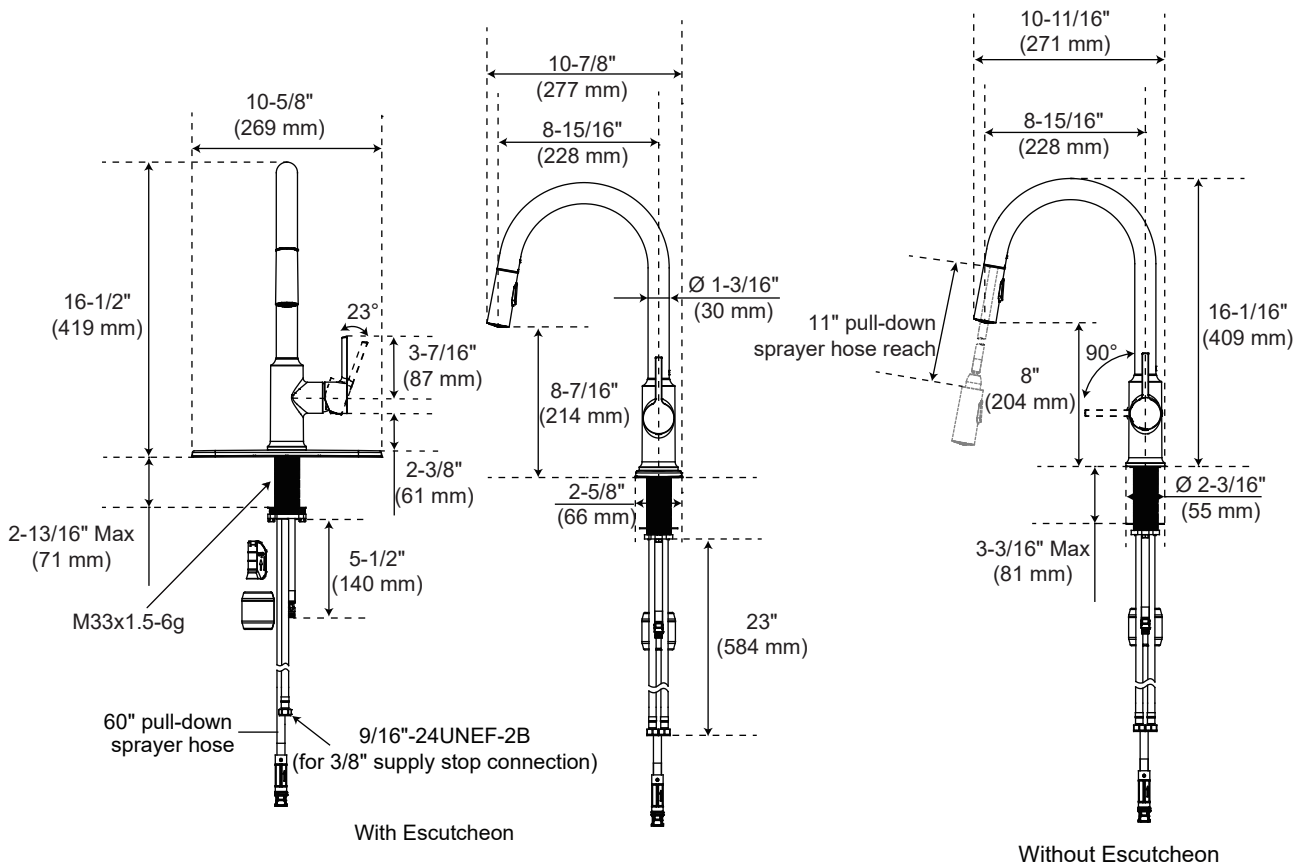


Codes and Certifications



- Certified to ASME A112.18.1 / CSA B125.1
- cUPC/IAPMO listed
- Handle ADA compliant
- NSF/ANSI/CAN61: Q ≤1
- Cal Green - and LEEDv4.1

PFXC4027



For detailed warranty information, visit ferguson.com/proflo-faucet-warranty.