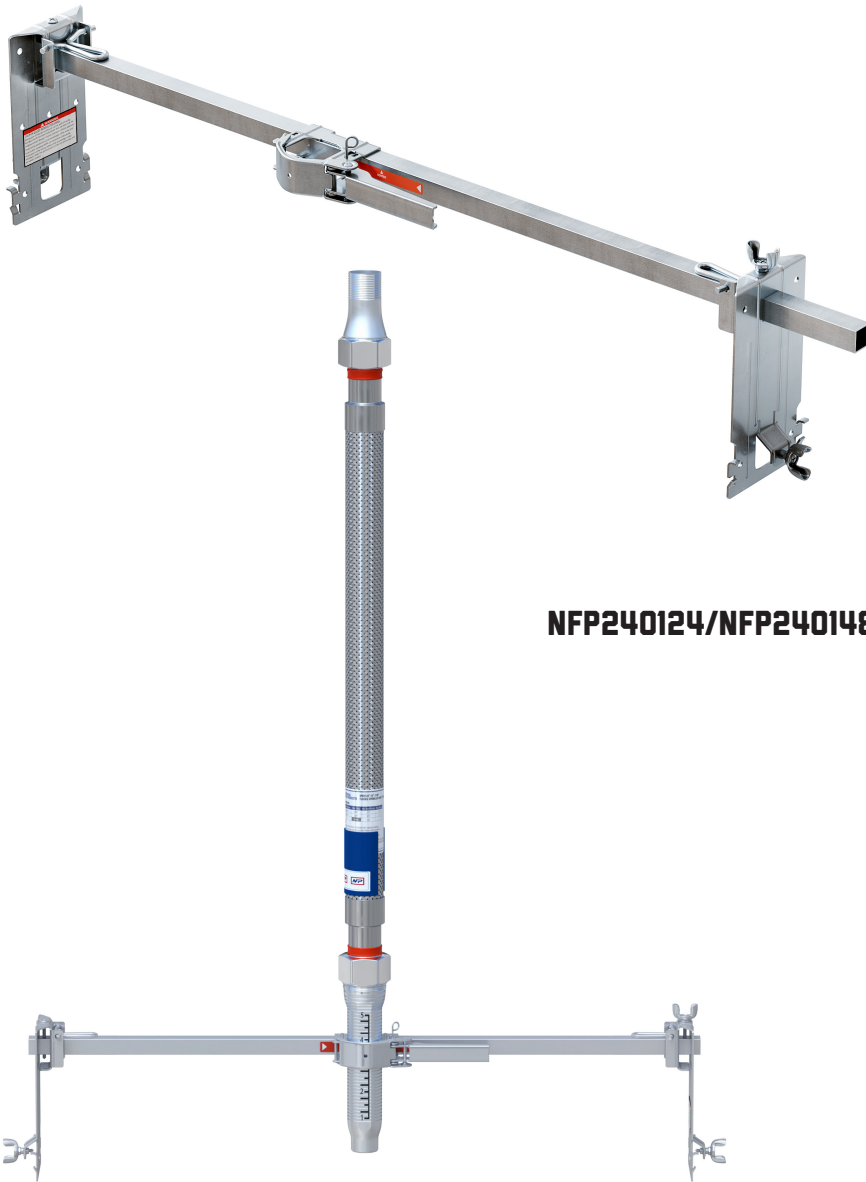


# SPECFLEX™ T-BAR BRACKET



Figure 2401



**NFP240124/NFP240148**

## FEATURES

- Available in 24" and 48" lengths
- One-piece bracket for hard-lid or suspended ceilings
- Includes open gate bracket for easy adjustments
- Comes fully assembled for faster installation
- Center points clearly marked with stickers to eliminate in-field measuring
- Allows for installation before ceiling tiles

## TECHNICAL DATA

- Material: ASTM-A366
- Bracket thickness: 2.0mm, ± 0.05
- See Specflex Hose data sheets for UL/FM approved assemblies

## INSTALLATION

- Please refer to NFP Specflex Installation Manuals for proper installation guidelines

PART NUMBER	SIZE	ADJUSTMENT RANGE	HEIGHT	MATERIAL
NFP240124	24"	8-3/4" – 27"	5-1/2"	Zinc-Plated Steel
NFP240148	48"	25" - 48"	5-1/2"	Zinc-Plated Steel

# SPECFLEX™ T-BAR BRACKET

Figure 2401

