

# B3Round 4836 Acrylic Configurable Shower Base

**Model number:**

410003-541-001-000

**Dimensions:** 47.875" x 35.875" x 3"

**Installation:**

**Material:** Acrylic



## Standard Features:

- Model Size : 47 7/8 L in. X 35 7/8 W in. X 3 H in.
- Acrylic rectangular shower base with round drain
- Low 3 in. threshold base allowing an easy and safe access
- Certain configurations available with Stabili-T anti-slip bottom meeting ADA, ANSI or CSA

- Compatible with Utile, most glue-up shower walls and ceramic tiles

## Product characteristics:

- Low Threshold
- Utile Compatible
- Bestseller

## Standard Colors:



White

## Certifications

MAAX products adhere to one or more of the following certifications:



# MAAX

# B3Round 4836 Acrylic Configurable Shower Base

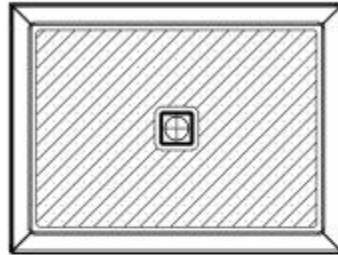
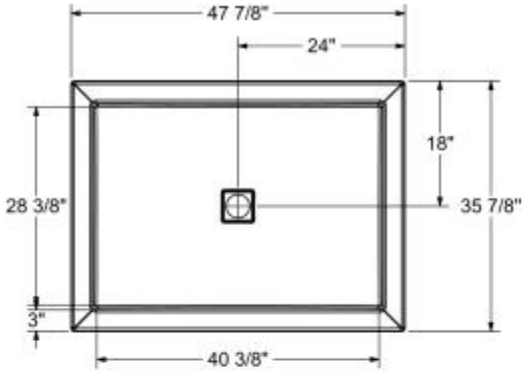
**Model number:**

410003-541-001-000

**Dimensions:** 47.875" x 35.875" x 3"

**Installation:**

**Material:** Acrylic



The hatched area represent the anti-slip surface

## Dimensions

48 x 36 x 3 In.  
(1216 x 911 x 76 mm)

## Weight

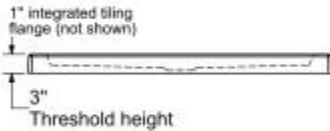
47 lbs - 21 kg

## Shape

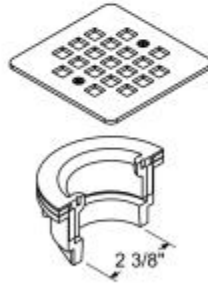
Rectangular

## Drain location:

Center



DRAIN INCLUDED  
ON B3 SQUARE ONLY



This technical drawing is universal for every 4836 configuration.

Integrated tiling flange : 1" height x 1/4" thick (not shown)  
Tiling flange position is determined by chosen configuration.

All dimensions are approximate. Structure measurements must be verified against the unit to ensure proper fit.

Project:

Contractor:

Representative:

Date:

Tel:

Notes:

# MAAX