

PROJECT: _____	UNIT TAG: _____	QUANTITY: _____
REPRESENTATIVE: _____	TYPE OF SERVICE: _____	DATE: _____
ENGINEER: _____	SUBMITTED BY: _____	DATE: _____
CONTRACTOR: _____	APPROVED BY: _____	DATE: _____
	ORDER NO.: _____	DATE: _____

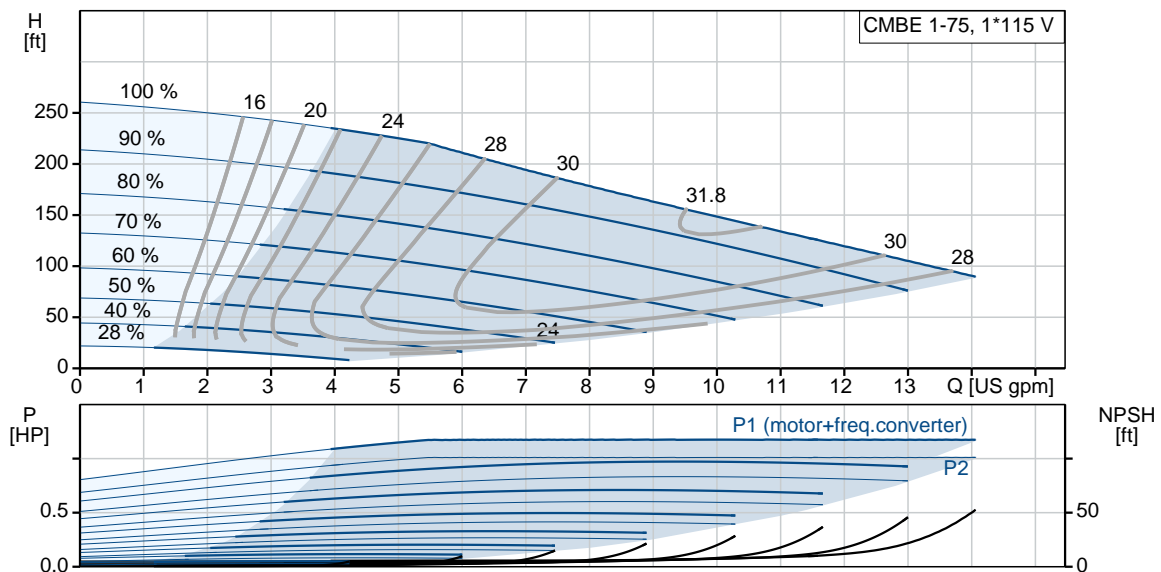


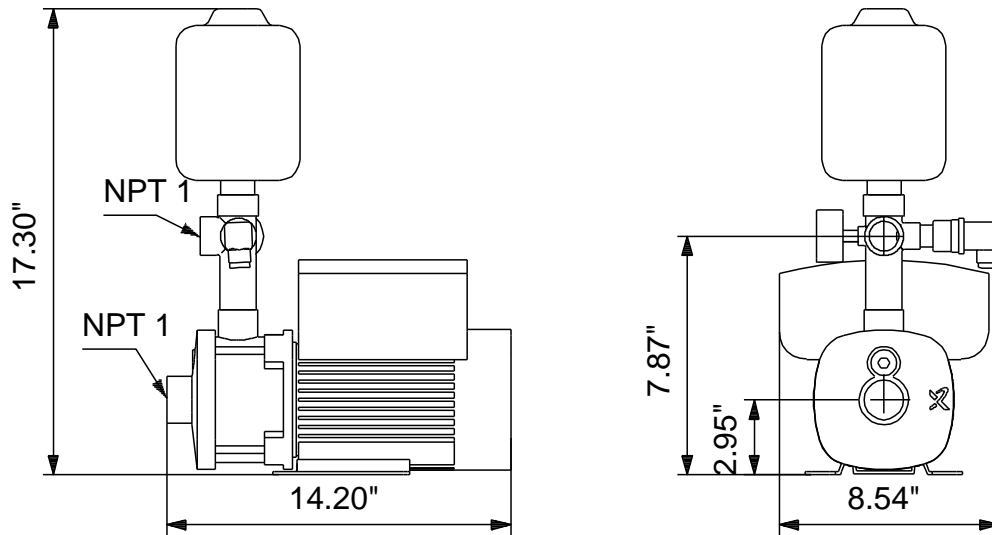
CMBE 1-75 I-X-C-B-D-E

Compact booster set for water supply in light commercial applications. Pump materials in contact with the liquid are in stainless steel AISI 304 (EN 1.4301)

Product photo could vary from the actual product


Conditions of Service	Pump Data	Motor Data
Flow: _____	Liquid temperature range: 32 .. 140 °F	Rated power - P2: 1.01 HP
Head: _____	Maximum ambient temperature: 113 °F	Rated voltage: 115 V
Efficiency: _____	Shaft seal: AQQE	Main frequency: 50 / 60 Hz
Liquid: Water	Flange standard: INTERNAL NPT THREAD	Enclosure class: IP55
Temperature: 68 °F	Product number: 98810921	Insulation class: F
NPSH required: ft		
Viscosity: _____		
Specific Gravity: 1.000		





Materials:

- Pump housing: Stainless steel
DIN W.-Nr. 1.4301
AISI 304
- Impeller: Stainless steel
DIN W.-Nr. 1.4301
AISI 304
- Rubber: EPDM

Count	Description														
1	<p data-bbox="288 405 574 441">CMBE 1-75 I-X-C-B-D-E</p> <div data-bbox="406 481 561 689" style="text-align: center;">  </div> <p data-bbox="288 734 566 763">Product No.: 98810921</p> <p data-bbox="288 792 914 999">The Grundfos CME Booster is a compact booster system for water supply in domestic applications. The integrated speed controller enables the CME Booster to keep constant pressure in the pipe system. A pressure sensor monitoring changes in the water consumption will signal to the speed controller to change the motor speed to adapt performance to the new state.</p> <p data-bbox="288 1003 963 1090">The CME Booster is very easy to install. When the pipework has been installed, it is all a matter of plugging the unit into a socket, and the system is operational.</p> <p data-bbox="288 1095 632 1124">The CME Booster consists of:</p> <ul data-bbox="288 1128 837 1267" style="list-style-type: none"> • CME pump with integrated frequency converter • 5-way valve • expansion tank • pressure gauge • manometer <p data-bbox="288 1301 400 1330">Features</p> <ul data-bbox="288 1335 802 1478" style="list-style-type: none"> • Constant pressure, integrated speed control • compact • robust, stainless steel • easy installation • dry run protection <p data-bbox="288 1512 512 1541">Thermal protection</p> <p data-bbox="288 1545 938 1574">CME Booster pumps require no external motor protection.</p> <p data-bbox="288 1579 892 1659">The MGE motor incorporates thermal protection against slow overloading and blocking (IEC 34.11: TP 211).</p> <p data-bbox="288 1718 384 1747">Liquid:</p> <table data-bbox="288 1751 798 1865"> <tr> <td>Pumped liquid:</td> <td>Water</td> </tr> <tr> <td>Liquid temperature range:</td> <td>32 .. 140 °F</td> </tr> <tr> <td>Selected liquid temperature:</td> <td>68 °F</td> </tr> <tr> <td>Density:</td> <td>62.29 lb/ft³</td> </tr> </table> <p data-bbox="288 1899 427 1928">Technical:</p> <table data-bbox="288 1933 903 2016"> <tr> <td>Pump speed on which pump data is based:</td> <td>3780 rpm</td> </tr> <tr> <td>Rated flow:</td> <td>10.6 US gpm</td> </tr> <tr> <td>Rated head:</td> <td>140.8 ft</td> </tr> </table>	Pumped liquid:	Water	Liquid temperature range:	32 .. 140 °F	Selected liquid temperature:	68 °F	Density:	62.29 lb/ft³	Pump speed on which pump data is based:	3780 rpm	Rated flow:	10.6 US gpm	Rated head:	140.8 ft
Pumped liquid:	Water														
Liquid temperature range:	32 .. 140 °F														
Selected liquid temperature:	68 °F														
Density:	62.29 lb/ft³														
Pump speed on which pump data is based:	3780 rpm														
Rated flow:	10.6 US gpm														
Rated head:	140.8 ft														



Company name: Hurley Engineering
Created by:
Phone:

Date: 5/20/2020

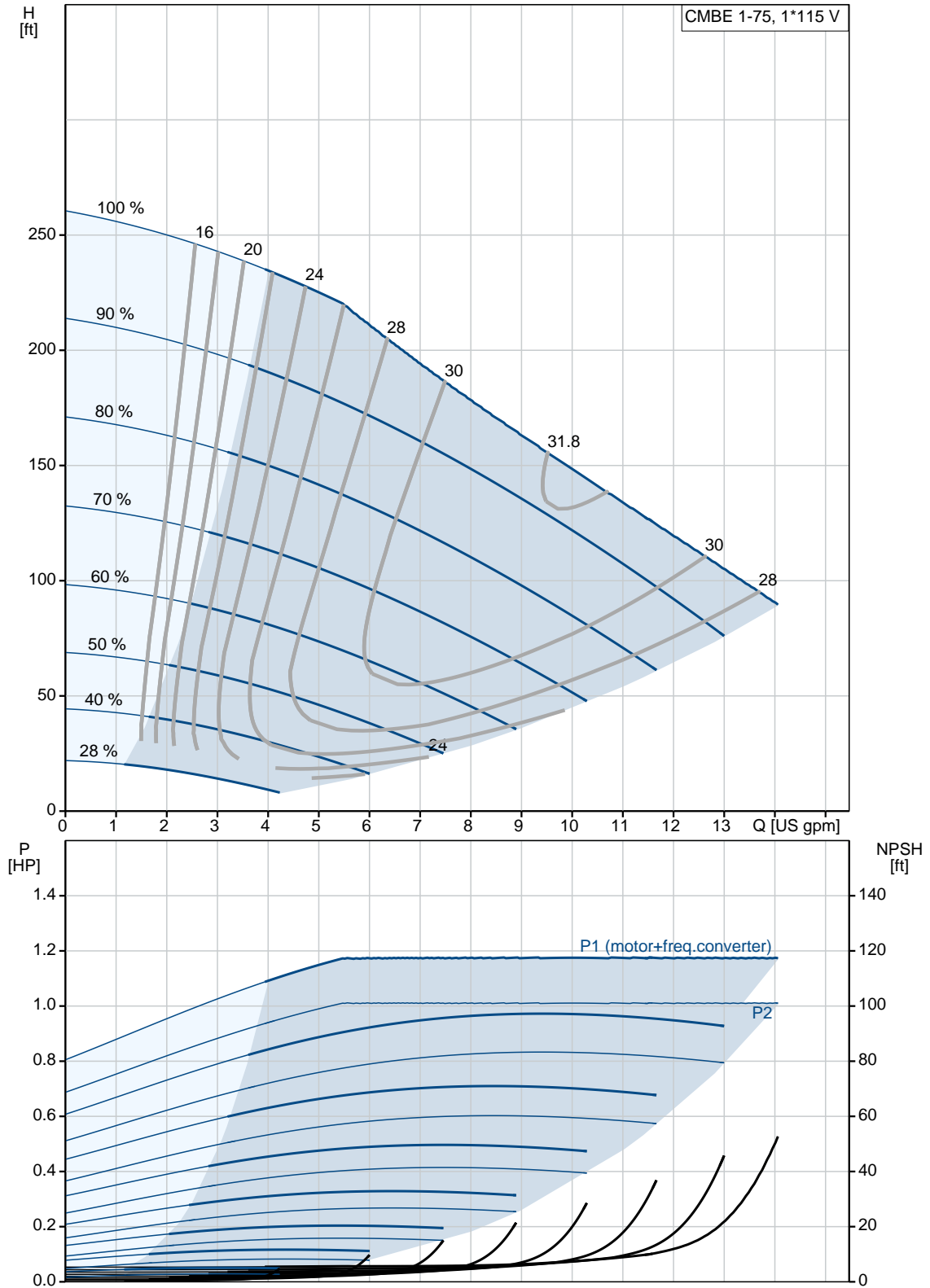
Count	Description
	Primary shaft seal: AQQE Approvals and markings: CE,CULUS Curve tolerance: ISO9906:2012 3B Return valve: YES Start pressure: Integrated Frequency converter
	Materials: Pump housing: Stainless steel DIN W.-Nr. 1.4301 AISI 304 Impeller: Stainless steel DIN W.-Nr. 1.4301 AISI 304 Rubber: EPDM
	Installation: Maximum ambient temperature: 113 °F Flange standard: INTERNAL NPT THREAD Pump inlet: NPT 1 Pump outlet: NPT 1
	Electrical data: Rated power - P2: 1.01 HP Main frequency: 50 / 60 Hz Rated voltage: 1 x 115 V Maximum current consumption: 8 A Rated speed: 360-4000 rpm Enclosure class (IEC 34-5): IP55 Insulation class (IEC 85): F Type of cable plug: US5-15 Mains cable: 4.92 ft
	Tank: Tank volume: 0.528 gal
	Others: Net weight: 36 lb Gross weight: 58 lb



Company name: Hurley Engineering
Created by:
Phone:

Date: 5/20/2020

98810921 CMBE 1-75 I-X-C-B-D-E

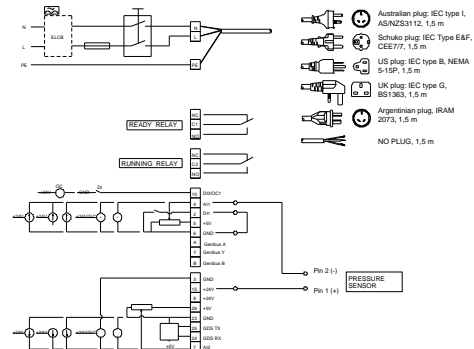
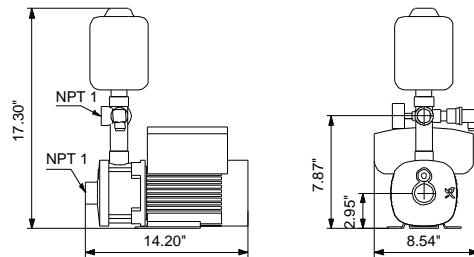
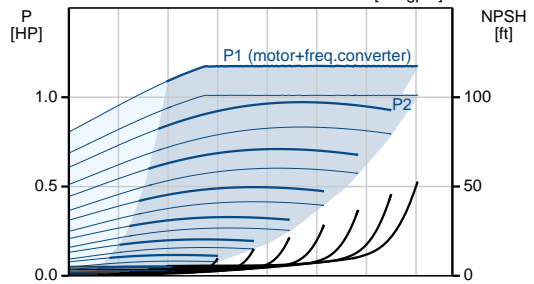
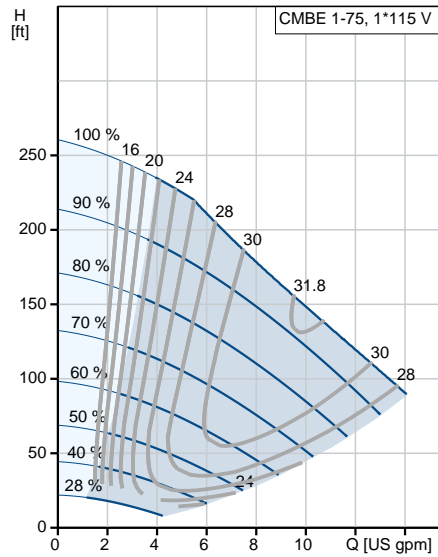




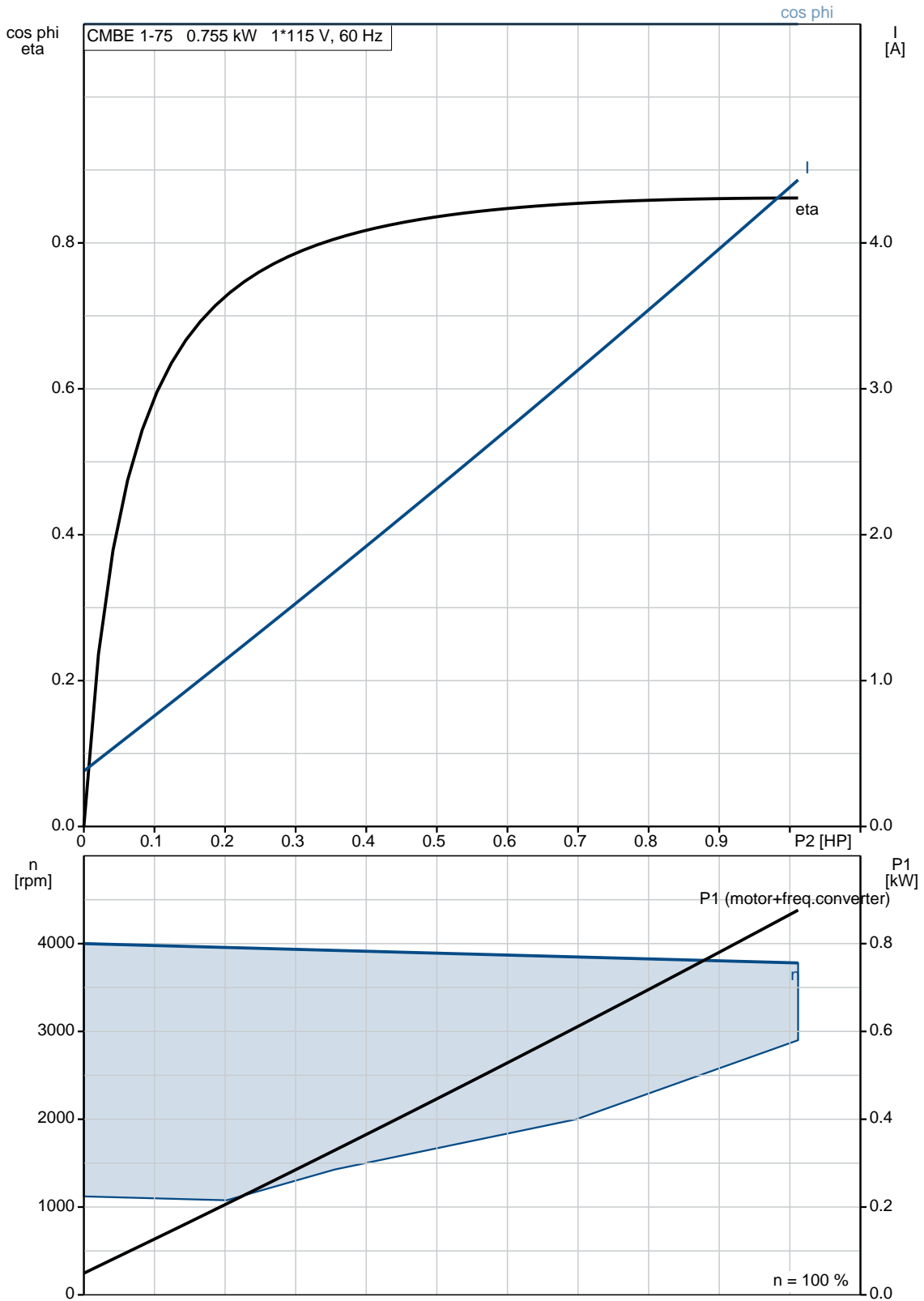
Company name: Hurley Engineering
 Created by:
 Phone:

Date: 5/20/2020

Description	Value
General information:	
Product name:	CMBE 1-75 I-X-C-B-D-E
Product No.:	98810921
EAN:	5712601689793 5712601689793
Technical:	
Pump speed on which pump data is based:	3780 rpm
Rated flow:	10.6 US gpm
Rated head:	140.8 ft
Impellers:	5
Primary shaft seal:	AQQE
Approvals and markings:	CE,CULUS
Curve tolerance:	ISO9906:2012 3B
Model:	A
Return valve:	YES
Start pressure:	Integrated Frequency converter
Materials:	
Pump housing:	Stainless steel DIN W.-Nr. 1.4301 AISI 304
Impeller:	Stainless steel DIN W.-Nr. 1.4301 AISI 304
Rubber:	EPDM
Installation:	
Maximum ambient temperature:	113 °F
Flange standard:	INTERNAL NPT THREAD
Pump inlet:	NPT 1
Pump outlet:	NPT 1
Liquid:	
Pumped liquid:	Water
Liquid temperature range:	32 .. 140 °F
Selected liquid temperature:	68 °F
Density:	62.29 lb/ft³
Electrical data:	
Rated power - P2:	1.01 HP
Main frequency:	50 / 60 Hz
Rated voltage:	1 x 115 V
Maximum current consumption:	8 A
p max system:	145.04 psi
Rated speed:	360-4000 rpm
Enclosure class (IEC 34-5):	IP55
Insulation class (IEC 85):	F
Type of cable plug:	US5-15
Mains cable:	4.92 ft
Tank:	
Tank volume:	0.528 gal
Others:	
Net weight:	36 lb
Gross weight:	58 lb
Config. file no:	98845992



98810921 CMBE 1-75 I-X-C-B-D-E

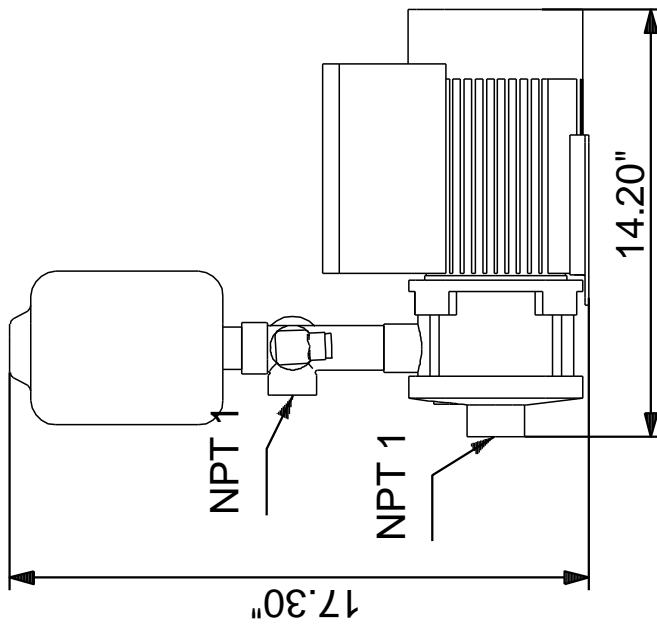
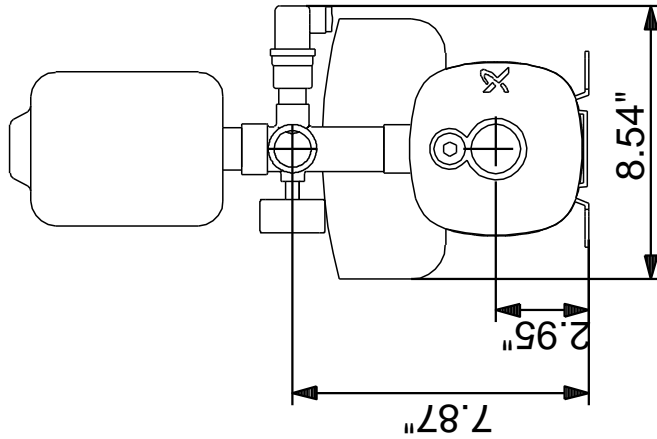




Company name: Hurley Engineering
Created by:
Phone:

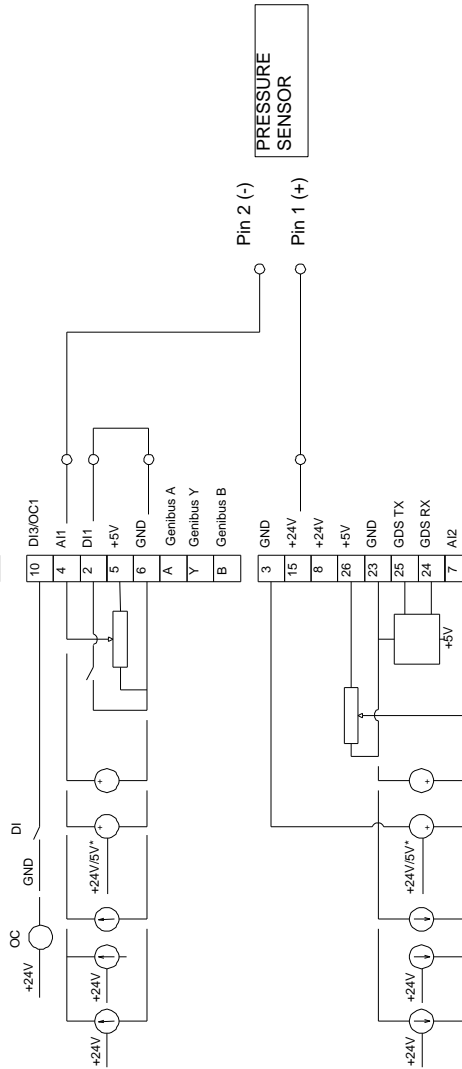
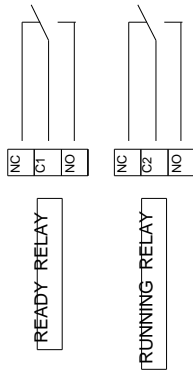
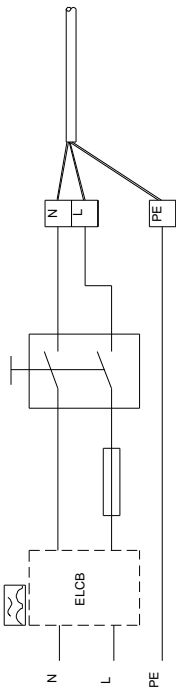
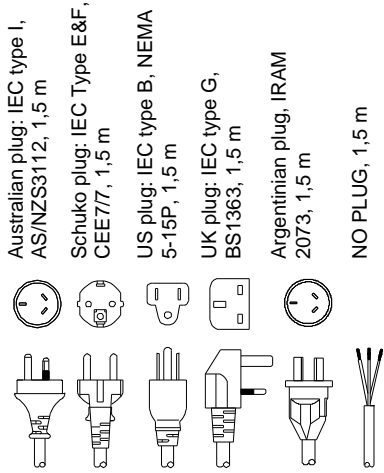
Date: 5/20/2020

98810921 CMBE 1-75 I-X-C-B-D-E



Note! All units are in [in] unless otherwise stated.
Disclaimer: This simplified dimensional drawing does not show all details.

98810921 CMBE 1-75 I-X-C-B-D-E



All units are [in] unless otherwise presented.



Company name: Hurley Engineering
Created by:
Phone:

Date: 5/20/2020

Order Data:

Product name: CMBE 1-75 I-X-C-B-D-E
Amount: 1
Product No.: 98810921

Total: Price on request
