

PFXC6017

POULSEN PULL-OUT KITCHEN FAUCET



Model Numbers

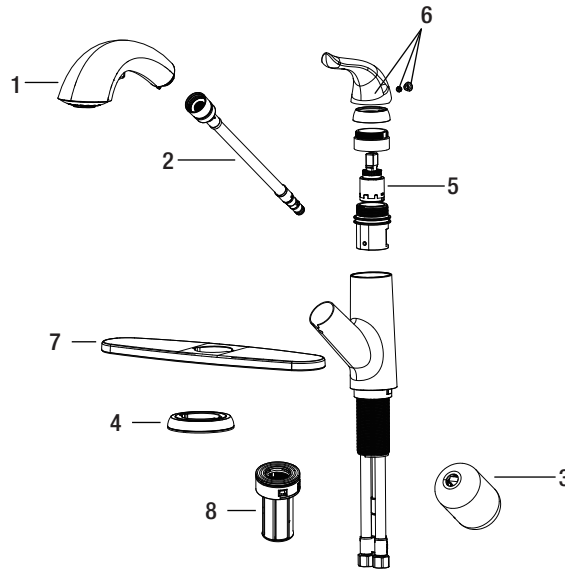
PFXC6017CP Chrome
PFXC6017ZBN PVD brushed nickel



PFXC6017CP

No.	Part & Code	Material Type
1	Spray head OBPF61211111610*	ABS
2	Hose OBPF8999910062008	TPE+Nylon
3	Weight OBPF1121010511067	PP+Iron
4	Flange Kit OBPF11210104410*	ABS
5	Cartridge OBPF2F25X484X02	POM+Ceramic
6	Handle OBPF71210119010*	Zinc alloy
7	Deck plate OBPF12112101026*	Stainless steel+EVA
8	Quick install nut OBPF120007050073	ABS

*Specify Finish



Warranty and Codes

This product comes complete with installation, operating, care and maintenance instructions. This PROFLO faucet carries a limited lifetime warranty when installed in residential applications. The warranty is five years in commercial applications. This product meets ANSI: A112.18.1. Compliant with lead content requirements of US Senate Bill S.3874

