



The new degree of comfort.™

Commercial Renaissance™ Line Packaged Gas Electric Units



RGECZT Commercial *Classic Plus*® Series

Nominal Size 3, 4, 5 & 6 Tons

[10.6, 14.0, 17.6 & 21.1 kW]

ASHRAE 90.1 2019 Compliant Models

RGECZR Commercial *Classic*® Series

Nominal Size 3, 4, & 5 Tons

[10.6, 14.0 & 17.6 kW]

ASHRAE 90.1 2019 Compliant Models



TABLE OF CONTENTS

Unit Features & Benefits	3-10
Model Number Identification	11
Options	12
Selection Procedures	13
General Data	
ZR Series	14-16
ZT Series	17-19
General Data Notes	20
Weighted Sound Power	21
Heating Performance Data	22-23
Gross Systems Performance Data	24-41
Airflow Performance Data	42-57
Electrical Data	
ZR Series	58-60, 64
ZT Series	61-63, 65-66
Dimensional Data	67-69
Field-Installed Accessories	70-89
Guide Specifications	90-96
Limited Warranty	97



RGEC STANDARD FEATURES INCLUDE:

- Factory charged with R-410A HFC refrigerant
- Wired and run tested
- Scroll compressors with internal line break overload and high pressure protection
- Convertible airflow – vertical down flow or horizontal side flow
- Forkable base rails for easy handling and lifting
- Cooling operation up to 125°F ambient
- Two-stage gas heat input with direct spark ignition system, solid state furnace controls, and optimized induced draft combustion
- MicroChannel evaporator and condenser coil
- PlusOne® ServiceSmart package includes:
 Qwik-Change Flex-Fit Rack™
 Qwik-Slide Blower Assembly™
 Qwik-Clean Drain Pan™
- Overflow condensate sensor
- PlusOne® Diagnostics with Dual 7-Segment LED Display to meet code compliance
- One-piece top cover and base pan with drawn supply and return opening
- Two-piece control door
- ¼ turn fasteners on filter access door
- Color-coded and labeled wiring
- External lockable gauge ports
- TXV refrigerant metering system
- Solid-core liquid line filter drier
- High pressure and low pressure/loss of charge protection with built-in Smart Logic
- Insulation encapsulated throughout entire unit
- New product footprint with matching connections
- 3-6 ton ZT models include one two-stage compressor
- 3-5 ton ZR models include one single-stage compressor
- MERV 8 & MERV 13 filters are available as an accessory
- Standard Modbus interface



FACTORY INSTALLED OPTIONS:

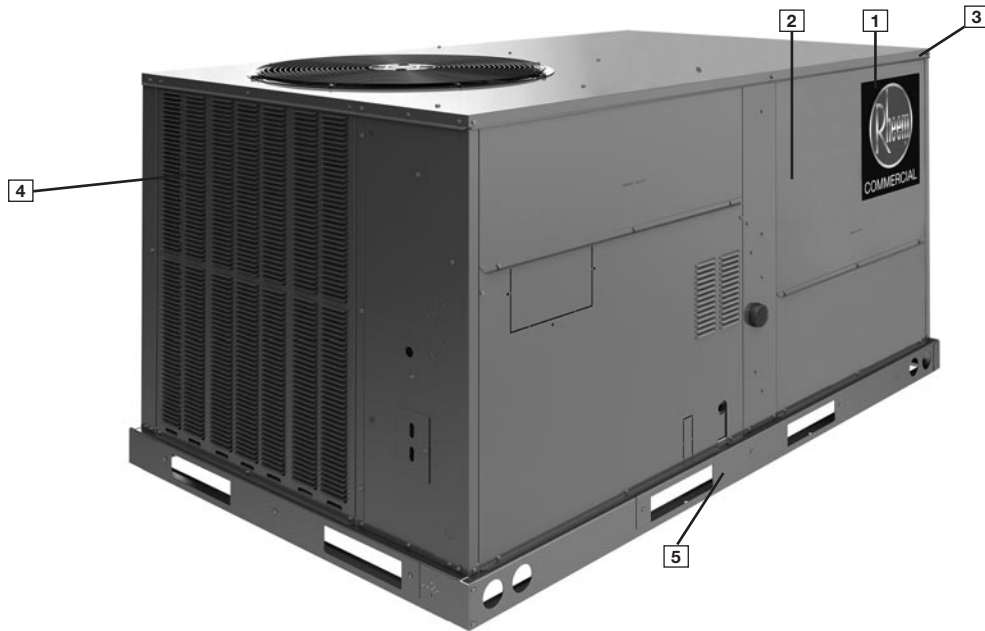
- Louvered panels
- Hinged access doors
- Stainless steel heat exchanger (20 year warranty)
- Low ambient/freeze stat
- Non-powered convenience outlet
- Unfused disconnect
- Circuit breaker
- Economizer (Title 24 and ASHRAE 90.1 2019 compliant)
- Supply and return smoke detector
- Return smoke detector
- ElectroFin® E-Coat for Microchannel Condenser Coil Coating
- ClearControl™ Direct Digital Control (DDC)
- Comfort Alert Phase-monitor Protection
- Vertical Economizer

FIELD INSTALLED ACCESSORIES:

Accessory	Model Number	Factory Installation Available?
Economizer w/Single Enthalpy (Downflow/Vertical)	RXRD-01MCDAM3	Yes
Economizer w/Single Enthalpy (Horizontal)	RXRD-01MCHAM3	No
Economizer-w/Single Enthalpy (Downflow/Vertical) DDC	RXRD-01MCDAM3	Yes
Economizer w/Single Enthalpy (Horizontal) DDC	RXRD-01MCHAM3	No
Dual Enthalpy Kit	RXRX-BV01	No
Dual Enthalpy Kit DDC	RXRX-BV02	No
Power Exhaust (230V) Vertical	RXRX-CCF02C	No
Power Exhaust (460V) Vertical	RXRX-CCF02D	No
Power Exhaust (230V) Horizontal	RXRX-CCF03C	No
Power Exhaust (460V) Horizontal	RXRX-CCF03D	No
Manual Fresh Air Damper	RXRF-ACA1	No
Motorized Fresh Air Damper	RXRF-ACB1	No
Roofcurb, 14"	RXKG-DCC14	No
Roofcurb, 24"	RXKG-DCC24	No
Roofcurb Adapter	RXRX-DCCAE	No
Roofcurb, 14" Welded	RXKG-DC14	No
Roofcurb, 24" Welded	RXKG-DC24	No
MERV 8 Filter	RXMF-M08A21616	No
MERV 13 Filter	RXMF-M13A21616	No
Concentric Diffuser 3-4 Ton Flush	RXRN-AEF1800	No
Concentric Diffuser 5-6 Ton Flush	RXRN-AEF2000	No

Accessory	Model Number	Factory Installation Available?
Concentric Diffuser 3-4 Ton Drop	RXRN-AED1800	No
Concentric Diffuser 5-6 Ton Drop	RXRN-AED2000	No
Concentric Adapter 3-4 Ton Drop	RXMC-DC01	No
Concentric Adapter 5-6 Ton Drop	RXMC-DC02	No
Outdoor Coil Louver Kit	RXRX-ADD04C	Yes
Nonpowered Convenience Outlet	RXRX-BN01	Yes
Unfused Service Disconnect	RXRX-BP01	Yes
Comfort Alert (1 Phase) DDC	RXRX-AZ03	Yes
Comfort Alert (1 Phase) Non-DDC	RXRX-AZ04	Yes
Comfort Alert (3 Phase) DDC	RXRX-AZ01	Yes
Comfort Alert (3 Phase) Non-DDC	RXRX-AZ02	Yes
Carbon Dioxide Sensor (Wall Mount)	RXRX-AR02	No
BACnet Communication Card	RXRX-AY01	No
LonWorks Communication Card	RXRX-AY02	No
Room Humidity Sensor	RHC-ZNS4	No
Room Temperature and Relative Humidity	RHC-ZNS5	No
Low-Ambient Control Kit	RXRZ-A04	Yes
Freeze Stat Kit	RXRX-AM05	Yes
Return Smoke Detector (Field kit)	RXRX-BS01	No
Return/ Supply Smoke Detector (Field kit)	RXRX-BS02	No
UV-C Light Kit for 208/230V	RXRX-UVC22C	No
UV-C Transformer Kit for 460V or 575V	RXRX-UVCTC	No





Cabinet and Foundation

Outwardly, the large Rheem® label (1) identifies the brand to the customer. The sheet-metal cabinet (2) uses 18-gauge material for structural components with an underlying coat of G90. To ensure the leak-proof integrity of these units, the design utilizes a one-piece top with a 1/8" drip lip (3) as well as gasket-protected panels and screws. The Rheem hail guard (optional) (4) sets the standard for coil protection in the industry. Electro deposition, baked-on enamel that is tested to withstand a rigorous 1000-hour salt spray test, per ASTM B117.

Anything built to last must start with the right foundation. Following that model, the foundation is comprised of 14-gauge, commercial-grade, full perimeter base rails (5) that integrate fork slots and rigging holes to save set-up time on the job site.

Easy Installation

The Renaissance line features a new footprint that simplifies the replacement process by eliminating the need for a new curb adapter and being able to match inlet, outlet and electrical connections of the most common/industry-standard configurations.

Base Pan

The base pan is stamped to form a 7/8" flange around the supply and return cover, which eliminates the worry of water entering the conditioned space (6). All insulation is secured with both adhesive and mechanical fasteners, and all edges are hidden.



Drain Pan

The Qwik-Clean Drain Pan™ (7) is made from a composite material that resists the growth of harmful bacteria. With both side and center drain options, the drain pan slides out completely for easy cleaning. It also features a standard overflow switch.



Test Standards

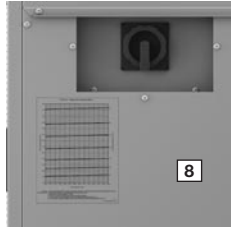
During development, each unit was tested to U.L. 1995, AHRI 210/240 (3-5 ton) or AHRI 340/360 (6 ton), as well as other Rheem-required reliability tests. Rheem adheres to stringent ISO 9001 quality procedures, and each unit bears the U.L. and AHRI certification labels located on the unit nameplate. Contractors can be assured that when a Rheem packaged unit arrives at the job, it is ready to go with a factory charge and quality checks. Each unit also proudly displays the "Made in the USA" designation.

Easy Access

All major compartments are easily accessible from the front of the unit: the electrical compartment, blower compartment, heating section, and outdoor section. Each compartment has mechanical fasteners. Panels are permanently embossed with the compartment name (e.g. control/filter access, blower access, and electric heat access). The filter compartment is accessed through a large, mechanically fastened panel. Information is readily available on the outside of the panel, with a nameplate that contains the model and serial numbers, electrical data, and other important unit information. Hinged access is available as an option for the electrical, blower, and filter compartments.

Charging Charts, Wiring Diagrams, & Labels

The unit charging chart is located on the outside of the compressor access panel. Electrical wiring diagrams are found on the control box cover, which allows contractors to move them to more readable locations. The model and serial numbers are located on the right of the control box. Having this information on the inside means easier model identification for the life of the product. The production line quality test assurance label is also placed in this location (8).



Filter Rack

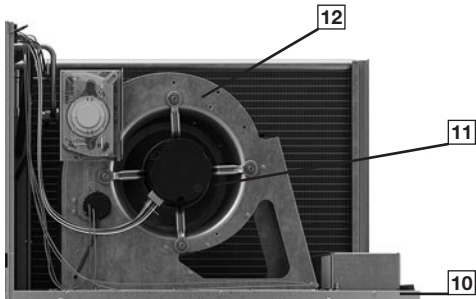
Located within the filter compartment, the Qwik-Change Flex-Fit Rack™ (9) allows easy changeover between 2" and 4" standard size and readily available filters.



Blower Assembly

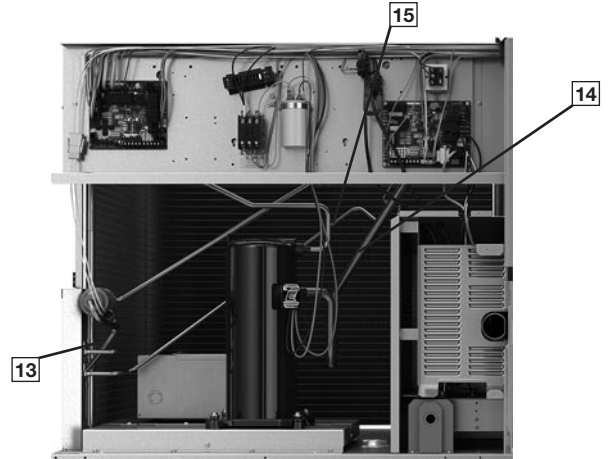
Removing three screws provides full access to the blower compartment. Inside, the Qwik-Slide Blower Assembly™ (10) is incredibly easy to access and remove. This makes servicing internal components such as blower motor, TXV, and microchannel coil much easier. The entire assembly slides out by removing the 3/8" screws from the blower retention bracket.

Where the demands for the job require high static, Rheem offers drives that deliver nominal airflow up to 1.5" of static. By referring to the airflow performance tables listed in the installation instructions, proper static pressure and CFM requirements can be dialed in. The scroll housing (12) and blower scroll provide quiet and efficient airflow.



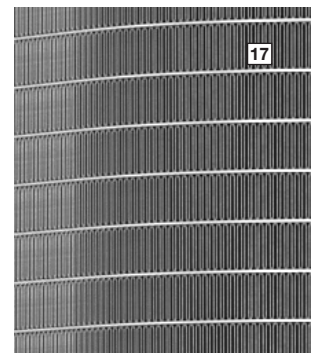
High and Low Pressure Switches & Freeze Stat

High pressure (13) and low pressure (14) switches are standard. They are located in the outdoor section along with the low-ambient control (15). The optional Freeze Stat (16) (standard on models with ClearControl), is clipped onto the suction line in the blower compartment. The low ambient control allows the compressor to operate down to 0 degrees ambient temperature by cycling the outdoor fans on high pressure. The high-pressure switch shuts off the compressors if pressures exceeding 610 PSIG are detected. The low-pressure switch shuts off the compressors if low pressure is detected due to loss of charge. Built-in Smart Logic reduces nuisance calls by only shutting off compressors after the third detection. The freeze stat protects the compressor if the evaporator coil gets too cold (below freezing) due to low airflow.



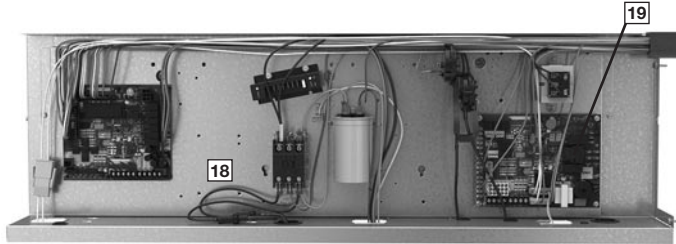
MicroChannel Evaporator & TXV

The Microchannel Evaporator (17) is accessible through the blower compartment, and through the filter rack, to simplify cleaning. The evaporator uses microchannel technology for maximum heat transfer, light weight, fewer manually brazed connections and reduced refrigerant charge. The TXV metering device maintains superheat over a wide range of varying temperatures optimizing unit performance for all conditions.



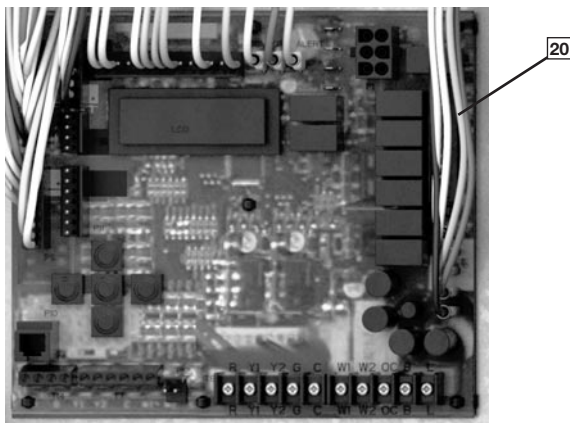
Control Box

Inside the control box (18), each electrical component is clearly labeled; that label matches the component to the wire diagram for ease of trouble shooting. All wiring is numbered on each end of the termination and is color-coded to match the wiring diagram. The integrated furnace control, incorporates the PlusOne Diagnostics: Dual 7-Segment LED Display (19) with easy-to-understand fault codes. The control transformer has a low voltage circuit breaker that trips if an electrical short occurs.



ClearControl™ DDC System

The optional Clear Control™ Direct Digital Control (DDC) system consisting of a rooftop unit controller, temperature sensors, and pressure sensors, allows real-time monitoring and communication between rooftop units. The Rooftop Unit Controller (RTU-C) that is factory mounted and wired into the control panel. The RTU-C is a solid-state, microprocessor-based control board that provides flexible control and extensive diagnostics for all unit functions. The RTU-C, using proportional/integral control algorithms, performs specific unit functions that govern unit operation in response to zone conditions, system temperatures, system pressures, ambient conditions, and electrical inputs. The RTU-C features a 16 x 2 character LCD display and a five-button keypad for local configuration and direct diagnosis of the system (20). Features include a clogged filter switch (CFS), fan proving switch (FPS), return air temperature sensor (RAT), discharge air temperature sensor (DAT), and outdoor air temperature sensor (OAT). Freeze sensors (FS) are used in place of freeze stats to allow measurement of refrigerant suction line temperatures.

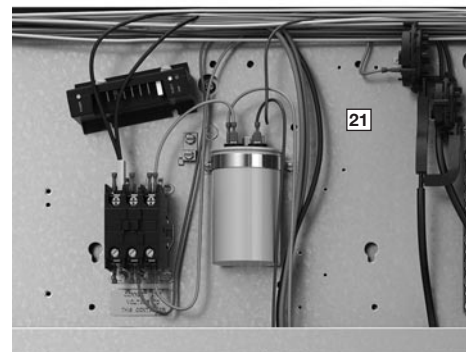


The RGEC Gas Electric with the RTU-C is specifically designed to be applied in four distinct applications:

- 1. BACnet Communication** — The RGEC is compatible with a third party building management system that supports the BACnet Application Specific Controller device profile, with the use of a field installed BACnet Communication Module. The BACnet Communication Module plugs onto the unit RTU-C controller and allows communication between the RTU-C and the BACnet MSTP network. A zone sensor, a BACnet network zone sensor, a BACnet thermostat, or DDC controller may be used to send the zone temperature or thermostat demands to the RTU-C. The BACnet Communication Module is compatible with MSTP EIA-485 daisy chain networks communicating at 38.4 bps. It is compatible with twisted pair, shielded cables.
- 2. LonWorks Communication** — The RGEC is compatible with a third party building management system that supports the LonMark Space Comfort Controller (SCC) functional profile or LonMark Discharge Air Controller (DAC) functional profile. This is accomplished with a field installed LonMark communication module. The LonMark Communication Module plugs onto the RTU-C controller and allows communication between the RTU-C and a LonWorks network. A zone sensor, a LonTalk network zone sensor, or a LonTalk thermostat or DDC controller may be used to send the zone temperature or thermostat demands to the RTU-C. The LonMark Communication Module utilizes an FTT-10A free topology transceiver communicating at 78.8 kbps. It is compatible with Echelon qualified, twisted pair cable, Belden 8471, or NEMA Level 4 cables. The module can communicate up to 1640 feet with no repeater. The LonWorks limit of 64 nodes per segment applies to this device.
- 3. 24V Thermostat Compatibility** — The RGEC is compatible with a programmable 24 volt thermostat. Connections are made via conventional thermostat screw terminals. Extensive unit status and diagnostics are displayed on the LCD screen of the RTU-C.
- 4. Zone Sensor Compatibility** — The RGEC is compatible with a zone sensor and a mechanical or solid state time clock connected to the RTU-C. Extensive unit status and diagnostics are displayed on the LCD screen of the RTU-C.

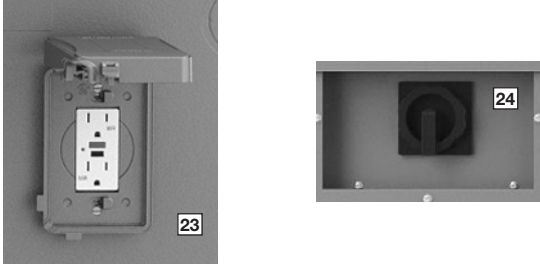
ComfortAlert®

A factory or field installed Comfort Alert® (21) module is available for power phase-monitoring protection and additional compressor diagnostics. The alarms can be displayed on the RTU-C display, through the (BAS) network, or connected to the “L-Terminal” of a thermostat for notification.



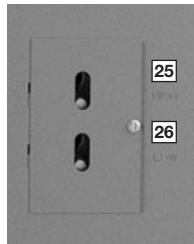
Convenience Outlet, Disconnect, & Circuit Breaker

The convenience outlet option comes non-powered from the factory (23), disconnect (24) and circuit breakers are available. Low and high voltage can enter from the side or through the base. Low-voltage connections are made through the low-voltage terminal strip. For ease of access, the U.L.-required low voltage barrier can be temporarily removed for low-voltage termination and then reinstalled. The high-voltage connection is terminated at the number 1 compressor contactor. The suggested mounting for the field-installed disconnect or circuit breaker is on the exterior side of the electrical control box.



External Lockable Gauge Ports

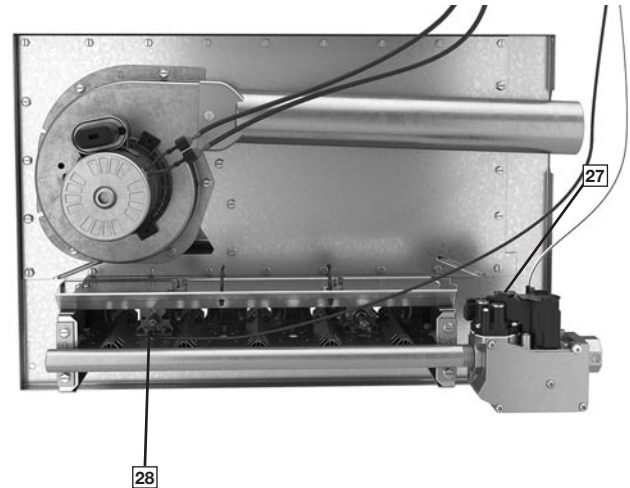
To the right left of the compressor compartment are the externally mounted lockable gauge ports. They are permanently identified by embossed lettering that identifies the compressor circuit, high pressure connection, (25) and low pressure connection (26). Because the gauge ports are mounted externally, an accurate diagnostic of system operation can be performed without removing access panels. Brass caps on the Schrader fitting ensure the gauge parts are leak proof.



Furnace & Gas Heat Exchanger

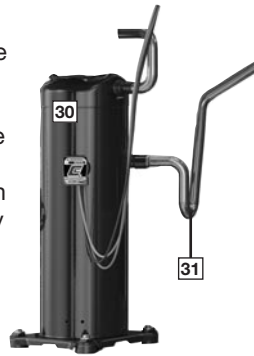
The furnace compartment contains the latest technology on the market. Each furnace is equipped with a two-stage gas valve (27) to provide two stages of gas heat input. The first stage operates at 70% of the second stage (full fire), 81% steady state efficiency is maintained. Stainless steel heat exchangers can be factory installed for those applications that have high fresh-air requirements or in applications with corrosive environments. The direct spark igniter (28) ensures reliable ignition in the most adverse conditions. This is coupled with remote flame sensor so the flame is carried across the entire length of the burner assembly. Gas supply can be routed from the side or up through the base. Each furnace has the following safety devices to ensure consistent and reliable operation after ignition:

- Stainless steel heat exchanger warranty increases from 10 years to 20 years.
- Pressures switches to ensure adequate combustion airflow before ignition.
- Rollout switches to prevent obstruction or cracks in the heat exchanger.
- A limit device to protect the furnace from over-temperature problems.



Compressor

The compressor compartment houses the heartbeat of the unit. The scroll compressor (30) is known for its long life and for reliable, quiet, and efficient operation. The suction and discharge lines are designed with shock loops (31) to absorb the strain and stress that the starting torque, steady state operation, and shut-down cycle impose on the refrigerant tubing. 3-5 ton ZR units include one single-stage compressor, and 3-6 ton ZT units include one two-stage compressor.



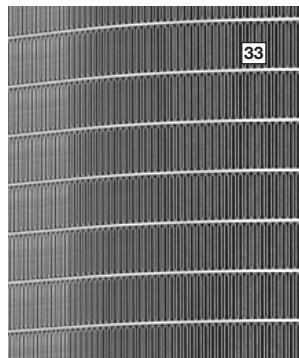
Condenser Fans

The condenser fan motor (32) can easily be accessed and maintained through the top of the unit. A down-mount fan provides corrosion protection and easy removal. The polarized plug connection allows the motor to be changed quickly and eliminates the need to snake wires through the unit.



MicroChannel Condenser Technology

The outdoor coil uses the latest microchannel technology (33) for the most effective method of heat transfer. The outdoor coil is protected by optional louvered panels, which allow unobstructed airflow while protecting the unit from both the environment and vandalism.



Coil Coating

Every unit offers the option of factory-applied ElectroFin® E-Coat condenser coating (34) that delivers superior corrosion resistance for outdoor coils to operate in the harshest of environments.



Economizer and Dampers

Each unit is designed for both down flow or horizontal applications (35) for job configuration flexibility. The return air compartment can also contain an economizer. Each unit is pre-wired for the economizer to allow quick, plug-in installation. Available as a factory-installed option, the economizer provides free cooling when outdoor conditions are suitable and also provides fresh air to meet local requirements.

It comes standard with single enthalpy controls, which can be upgraded to dual enthalpy easily in the field. The direct drive actuator combined with gear drive dampers has eliminated the need for linkage adjustment in the field. The economizer control has a minimum position set point, an outdoor-air set point, a mixed-air set point, and a CO₂ set point. Barometric relief is standard on all economizers.



Power Exhaust is easily field-installed. The power exhaust is housed in the barometric relief opening and is easily slipped in with a plugin assembly. The wire harness to the economizer also has accommodations for a smoke detector.

The damper minimum position, actual damper position, power exhaust on/off set point, mixed air temperature limit set point, and Demand Controlled Ventilation (DCV) set point can be read and adjusted at the unit controller display or remotely through a network connection. The Space CO₂ level, mixed air temperature, and Economizer Status (free cooling available, single or dual enthalpy) can be read at the unit controller display or remotely through a network connection. Economizer faults will trigger a network alarm and can be read at the unit controller display or remotely through a network connection.

Roofcurb

The Rheem roofcurb (36) is made for tool-less assembly at the jobsite by engaging tabs in slots of adjacent curb sides, which makes the assembly process quick and easy.



HUMIDIDRY™ DEHUMIDIFICATION SYSTEM

With the factory installed dehumidification option, in addition to a thermostat or space temperature sensor that is normally present, an indoor relative humidity sensor is installed in the occupied space and connected to the Rooftop Unit Controller (RTU-C) which then controls the capacity of the cooling coil to remove moisture from the supply air and maintain space relative humidity below an adjustable limit visible on the RTU-C display. The default value is the ASHRAE recommended limit of 60% RH. With this option, a refrigerant reheat coil is installed downstream from the evaporator coil. When the space humidity is too high and reheat is energized, this coil uses some of the heat that is normally rejected to the outside by the condenser coil to instead reheat the cold air from the evaporator coil just enough to avoid overcooling and providing “neutral air” to the occupied space. On a two-stage system, it is possible for both a thermostat and humidistat to register readings above set point. Under this condition, the system runs in the high stage dehumidification cycle, and the VFD operates on high speed. This provides dry conditioned air.

Because the demand for dehumidification can be different from the cooling demand, the unit will first satisfy the demand for cooling and then if the space humidity is still too high, dehumidification mode is energized. When in dehumidification mode, the supply air leaving the unit will be near the entering air temperature, but at a much lower humidity. The unit will exit the dehumidification mode when the humidity set point is satisfied; or if the load is increased, it will return to normal cooling mode. Reheat is not available during the gas-heating mode.

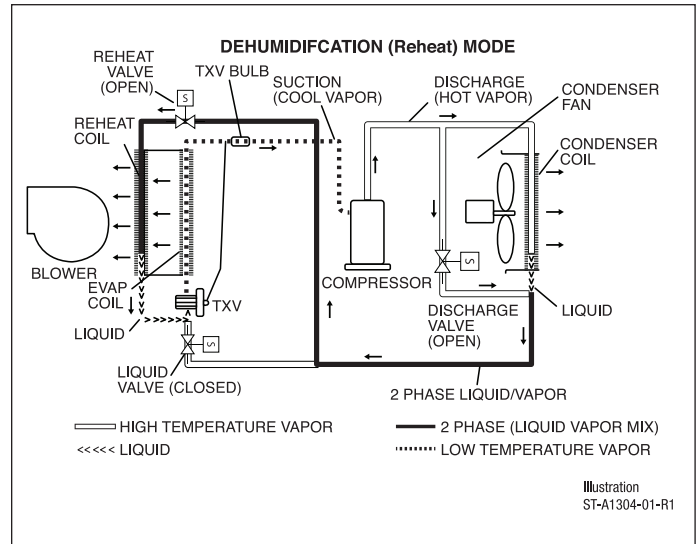


Figure 2 shows the refrigerant path during the reheat mode. When the reheat cycle is energized by the RTU-C, the reheat solenoid valve, upstream of the reheat coil opens. The liquid solenoid valve ahead of the TXV, closes. The discharge solenoid valve, in the compressor discharge line, opens. The liquid refrigerant leaves the TXV with the sudden pressure drop causing the liquid to expand to a vapor and absorbing the heat from the supply air going through the evaporator coil. The refrigerant vapor then travels to the compressor where it is elevated to a higher pressure and temperature. The refrigerant next carries the heat to a parallel path between the outside condenser coil and a bypass circuit. Some of the heat is rejected outdoor. The ratio of heat rejected outdoors versus indoors is controlled by an outdoor fan motor controller (OFMC) that monitors the two-phase temperature and varies the fan speed. This 2-phase refrigerant vapor is then sent to the reheat coil. As the refrigerant travels through the reheat coil it condenses into a subcooled liquid where the process repeats itself.

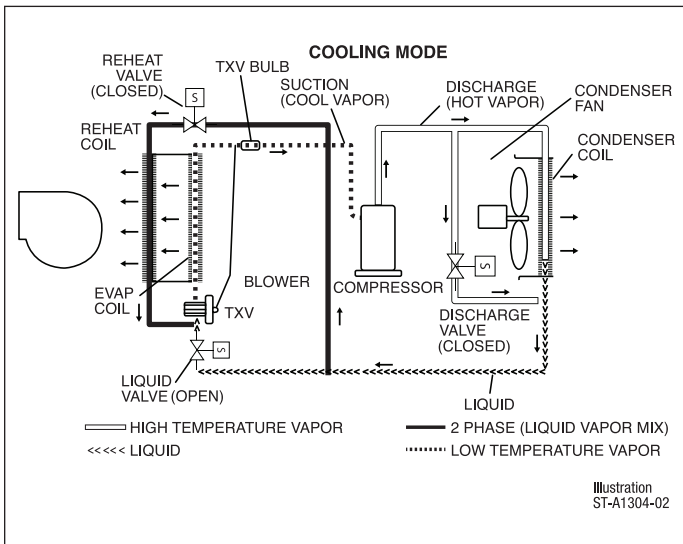


Figure 1 shows the refrigerant path during the normal cooling mode. The liquid refrigerant leaves the TXV with the sudden pressure drop causing the liquid to expand to a vapor and absorbing the heat from the supply air going through the evaporator coil. The refrigerant vapor then travels to the compressor where it is elevated to a higher pressure and temperature. The superheated refrigerant vapor next carries the heat to the outside coil where the heat is then rejected and the refrigerant condenses into a subcooled liquid where the process repeats itself.



Air

Model Number Identification
RGEC Series

R	GE	C	ZR	036	A	C	T	10	2	A	A	***
1	23	4	56	789	10	11	12	13 14	15	16	17	18 19 20

1—Brand

R = Rheem

2, 3—Unit Type

GE = Packaged Gas Electric

4—Cabinet Type

C = Small Commercial

5, 6—Cooling Stages

ZR = 1 Stage Cooling

ZT = 2 Stage Cooling

7, 8, 9—Capacity

036 = 3 Ton

048 = 4 Ton

060 = 5 Ton

072 = 6 Ton

10—Major series

A

11—VoltageJ = 1 phase/208-230V/60Hz¹

C = 3 phase/208-230V/60Hz

D = 3 phase/460V/60Hz

Y = 3 phase/575V/60Hz²**12—Drive**T = Direct Drive Standard Static
Constant TorqueU = Direct Drive High Static
Constant Torque**13, 14—Heat Capacity**

07 = 75k

10 = 100k

12 = 125k

15—Heat Configuration

2 = 2 stage

B = 2 stage Stainless

16—ControlA = Core Command
(Non-Communicating)B = Core Command with
Phase Monitor

C = Clear Control (DDC)

D = Clear Control (DDC) &
Comfort Alert**17—Minor series**

A = First Generation

B = Second Generation

C = Third Generation

18, 19, 20—Option Code

See next page

Notes:

1. J voltage is not available on 6 ton models.
2. Y voltage is only available on ZR036-060 and ZT072 models.



FACTORY INSTALLED OPTION CODES FOR RGEC (3 TO 6 TON)

18					19				20				
LV = Louver protection					LF = Low Ambient / Freeze Stat				EC = Economizer				
RH = Reheat ¹									SS = Supply and Return Smoke Detector				
HA = Hinged Access					NP = Non-powered Convenience Outlet				RS = Return Smoke Detector				
CC ² = Coil Coating					DC = Disconnect Switch								
Option code character highlighted below					Option code character highlighted below				Option code character highlighted below				
A	None				A	None			0	None			
B	LV				B	LF				1	EC		
C	HA				C	NP				2	RS		
D	LV	HA			D	LF	NP			3	EC	RS	
E	LV	CC			E	DC				4	SS	RS	
F	LV	HA	CC		F	LF	DC			5	EC	SS	RS
N	RH				G								
P	LV	RH			H	NP	DC						
Q	RH	HA			J								
R	LV	RH	CC		K	LF	NP	DC					
S	LV	RH	HA										
T	LV	RH	HA	CC									

¹Low ambient freeze-stat included on all reheat models; low ambient option is not selectable for this unit.

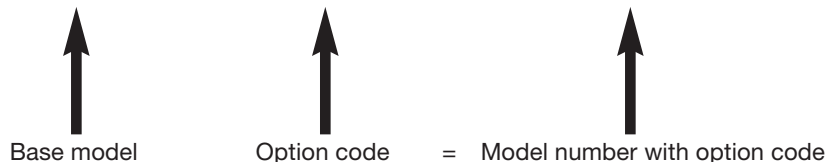
²CC-requires LV (louver protection)

Instructions for Factory Installed Option(s) Selection

Note: Three characters following the model number will be utilized to designate a factory-installed option or combination of options. If no factory option(s) is required, “AAO” follows the model number.

- **Step 1:** In the table above, based on the desired features, choose option code character from highlighted options on the left side under the number 18. For example, the option code character “E” has Louver protection and Coil Coating.
- **Step 2:** In the table above, based on the desired features, choose option code character from highlighted options on the left side under the number 19. For example, the option code character “F” has Low Ambient / Freeze Stat and Disconnect switch.
- **Step 3:** In the table above, based on the desired features, choose option code character from highlighted options on the left side under the number 20. For example, the option code character “3” has Economizer and Return Smoke.
- The resulting option code from examples above is: “EF3”
- **Step 4:** Add your option code selection to the end of model number

○ Example: RGECZR036ACC152AA EF3 = RGECZR036ACC152AAEF3



To select an RGEC Cooling and Heating unit to meet a job requirement, follow this procedure, with example, using data supplied in this specification sheet.

1. DETERMINE COOLING AND HEATING REQUIREMENTS AND SPECIFIC OPERATING CONDITIONS FROM PLANS AND SPECS.

Example:

Voltage—	230 V – 3 Phase – 60 Hz
Total Cooling Capacity—	47,000 BTUH [13.8 kW]
Sensible Cooling Capacity—	36,000 BTUH [10.6 kW]
Heating Capacity—	75,000 BTUH [22 kW]
*Condenser Entering Air—	95°F [35.0°C] DB
*Evaporator Mixed Air Entering—	67°F [19.4°C] WB 78°F [25.6°C] DB
*Indoor Air Flow (vertical)—	1600 CFM [755 L/s]
*External Static Pressure—	0.6 in. WG [.15 kPa]

2. SELECT UNIT TO MEET COOLING REQUIREMENTS.

Since total cooling is within range of a nominal 4-ton unit, use the cooling performance table at 95°F DB condenser inlet air. Interpolate between 1730 CFM [816 L/s] and 1400 CFM [660 L/s] to determine total and sensible capacity and Depression Ratio for inlet air at 1600CFM [755 L/s] indoor airflow (table basis)

Interpolation Formula:

$$MBH_1 + \left[(CFM - CFM_1) \times \left(\frac{MBH_2 - MBH_1}{CFM_2 - CFM_1} \right) \right] = MBH$$

Total Cooling Capacity:

$$46,800 + \left[(1,600 - 1,730) \times \left(\frac{45,200 - 46,800}{1,400 - 1,730} \right) \right] = 46,170 \text{ BTUH}$$

Total Cooling Capacity = 46,170 BTUH [13.5 kW]

Sensible Cooling Capacity = 33,7400 BTUH [9.9 kW]

DR = 0.2

When the entering dry bulb temperature (dbE) is not 80°F [26.7°C], the sensible capacity needs to be adjusted.

Note: total capacity is unaffected

Sensible Capacity Depression Formula:

$$Cap_{\text{sensible}} + [1.10 \times CFM \times (1 - DR) \times (dbE - 80)]$$

$$= 30,924 + [1.10 \times 1,600 \times (1 - 0.2) \times (78 - 80)]$$

$$\text{Sensible Cooling Capacity} = 30,924 \text{ BTUH [9.1 kW]}$$

3. DETERMINE BLOWER SPEED AND BHP TO MEET SYSTEM DESIGN.

Total ESP (external static pressure) per the spec of 0.6 in WG [.15 kPa] includes the system duct and grilles. Add from the table “Component Air Resistance,” 0.13 in. WG [0.04 kPa] for wet coil. Using the “Airflow Performance Table”, at the specified 1,600 CFM and 0.7 in. WG [0.17 kPa] ESP, determine blower wattage.

$$CFM = 1564$$

$$\text{Watts} = 440$$

$$\text{Tap} = 5$$

4. CALCULATE INDOOR BLOWER BTUH HEAT EFFECT FROM MOTOR BHP IN STEP 3.

Assuming an average of 85% motor efficiency, determine the amount of heat generated by the blower motor at the specified CFM and ESP by dividing the watts used by the motor efficiency and solving for the difference. Convert this value from watts to BTUH, multiplying by 3.41 BTUH/Watt

$$\text{Watts} = 440$$

$$\text{Avg. Motor Efficiency} = 85\%$$

$$\text{Indoor Blower Motor Heat} = \left[\left(\frac{\text{Watts}}{0.85} \right) - \text{Watts} \right] \times 3.41$$

$$= [(440/0.85) - 440] \times 3.41 = 77.6 \text{ BTUH [0.02 kW]}$$

5. CALCULATE THE NET COOLING CAPACITIES

Net cooling capacities can be calculated by subtracting the motor heat from the gross cooling capacities.

$$\text{Net Total Capacity} = \text{Gross Total Capacity} - \text{Indoor Blower Motor Heat}$$

$$= 46,170 - 77 = 46,093 \text{ BTUH [13.5 kW]}$$

$$\text{Net Sensible Capacity} = \text{Gross Sensible Capacity} - \text{Indoor Blower Motor Heat}$$

$$= 30,924 - 77 = 30,847 \text{ BTUH [9.0 kW]}$$

6. SELECT UNIT HEATING CAPACITY

For Gas Heating, choose the gas heat capacity that closest matches the specified heat capacity requirements. In this selection, the 75,000 BTU input is selected.

7. CHOOSE MODEL RGEC048ZTRACT07

[] Designates Metric Conversions

NOM. SIZES 3-6 TONS [10.6-21.1 kW] ASHRAE 90.1 2016 COMPLIANT MODELS

Model RGECZR Series	036ACT 036ADT 036AJT	036ACU 036ADU	036AYT	036AYU
				CONTINUED →
Cooling Performance^A				
Gross Cooling Capacity Btu [kW]	36,000 [10.55]	36,000 [10.55]	36,000 [10.55]	36,000 [10.55]
EER/EER2	11.2/10.6	11.2/10.6	11.2/10.6	11.2/10.6
SEER/SEER2 ^B	14/13.4	14/13.4	14/13.4	14/13.4
Nominal CFM/AHRI Rated CFM [L/s]	1200 [566]	1200 [566]	1200 [566]	1200 [566]
AHRI Rated CFM (SEER/SEER2) [L/s]	1300/1025 [613/483]	1300/1025 [613/483]	1300/1025 [613/483]	1300/1025 [613/483]
AHRI Net Cooling Capacity Btu (SEER/SEER2) [kW]	35,400/34,200 [10.37/10.02]	35,400/34,200 [10.37/10.02]	35,400/34,200 [10.37/10.02]	35,400/34,200 [10.37/10.02]
Net Sensible Capacity Btu (SEER/SEER2) [kW]	27,000/23,940 [7.91/7.01]	27,000/23,940 [7.91/7.01]	27,000/23,940 [7.91/7.01]	27,000/23,940 [7.91/7.01]
Net Latent Capacity Btu (SEER/SEER2) [kW]	8,400/10,260 [2.46/3.00]	8,400/10,260 [2.46/3.00]	8,400/10,260 [2.46/3.00]	8,400/10,260 [2.46/3.00]
Net System Power kW (SEER/SEER2)	3.16/3.22	3.16/3.22	3.16/3.22	3.16/3.22
Compressor				
No./Type	1/Scroll	1/Scroll	1/Scroll	1/Scroll
No./Stages	1	1	1	1
Outdoor Coil - Fin Type				
Tube Type	Louvered	Louvered	Louvered	Louvered
MicroChannel Depth in. [mm]	MicroChannel	MicroChannel	MicroChannel	MicroChannel
Face Area sq. ft. [sq. m]	0.71 [18]	0.71 [18]	0.71 [18]	0.71 [18]
Rows / FPI [FPcm]	16.48 [1.53]	16.48 [1.53]	16.48 [1.53]	16.48 [1.53]
	1 / 23 [9]	1 / 23 [9]	1 / 23 [9]	1 / 23 [9]
Indoor Coil - Fin Type				
Tube Type	Louvered	Louvered	Louvered	Louvered
MicroChannel Depth in. [mm]	MicroChannel	MicroChannel	MicroChannel	MicroChannel
Face Area sq. ft. [sq. m]	1 [25.4]	1 [25.4]	1 [25.4]	1 [25.4]
Rows / FPI [FPcm]	7.52 [0.7]	7.52 [0.7]	7.52 [0.7]	7.52 [0.7]
	1 / 20 [8]	1 / 20 [8]	1 / 20 [8]	1 / 20 [8]
Refrigerant Control	TX Valves	TX Valves	TX Valves	TX Valves
Drain Connection No./Size in. [mm]	1/0.75 [19.05]	1/0.75 [19.05]	1/0.75 [19.05]	1/0.75 [19.05]
Outdoor Fan - Type				
No. Used/Diameter in. [mm]	Propeller	Propeller	Propeller	Propeller
Drive Type/No. Speeds	1/26 [660.4]	1/26 [660.4]	1/26 [660.4]	1/26 [660.4]
CFM [L/s]	Direct/1	Direct/1	Direct/1	Direct/1
No. Motors/HP	4600 [2171]	4600 [2171]	4600 [2171]	4600 [2171]
Motor RPM	1 at 1/5 HP	1 at 1/5 HP	1 at 1/5 HP	1 at 1/5 HP
	820	820	820	820
Indoor Fan - Type				
No. Used/Diameter in. [mm]	FC Centrifugal	FC Centrifugal	FC Centrifugal	FC Centrifugal
Drive Type	1/11x11 [279x279]	1/11x11 [279x279]	1/11x11 [279x279]	1/11x11 [279x279]
No. Speeds	Direct	Direct	Direct	Direct
No. Motors	Multiple	Multiple	Multiple	Multiple
Motor HP	1	1	1	1
Motor RPM	3/4	3/4	1	1
Motor Frame Size	1050	1050	1050	1050
	48	48	48	48
Filter - Type				
Furnished	Disposable	Disposable	Disposable	Disposable
(NO.) Size Recommended in. [mm x mm x mm]	Yes	Yes	Yes	Yes
	(4)2x16x16 [51x406x406]	(4)2x16x16 [51x406x406]	(4)2x16x16 [51x406x406]	(4)2x16x16 [51x406x406]
Refrigerant Charge Oz. [g]				
	69 [1956]	69 [1956]	69 [1956]	69 [1956]
Weights				
Net Weight lbs. [kg]	557 [253]	557 [253]	607 [275]	607 [275]
Ship Weight lbs. [kg]	595 [270]	595 [270]	645 [293]	645 [293]

See Page 20 for Notes.

[] Designates Metric Conversions

NOM. 3-6 TONS [10.6-21.1 kW] ASHRAE 90.1 2016 COMPLIANT MODELS

Model RGECZR Series	048ACT 048ADT 048AJT	048ACU 048ADU	048AYT	048AYU
Cooling Performance^A				CONTINUED →
Gross Cooling Capacity Btu [kW]	49,000 [14.36]	49,000 [14.36]	49,000 [14.36]	49,000 [14.36]
EER/EER2	11.2/10.6	11.2/10.6	11.2/10.6	11.2/10.6
SEER/SEER2 ^B	14/13.4	14/13.4	14/13.4	14/13.4
Nominal CFM/AHRI Rated CFM [L/s]	1600 [755]	1600 [755]	1600 [755]	1600 [755]
AHRI Rated CFM (SEER/SEER2) [L/s]	1730/1460 [816/689]	1730/1460 [816/689]	1730/1460 [816/689]	1730/1460 [816/689]
AHRI Net Cooling Capacity Btu (SEER/SEER2) [kW]	47,500/45,500 [13.92/13.33]	47,500/45,500 [13.92/13.33]	47,500/45,500 [13.92/13.33]	47,500/45,500 [13.92/13.33]
Net Sensible Capacity Btu (SEER/SEER2) [kW]	35,100/31,850 [10.28/9.33]	35,100/31,850 [10.28/9.33]	35,100/31,850 [10.28/9.33]	35,100/31,850 [10.28/9.33]
Net Latent Capacity Btu (SEER/SEER2) [kW]	12,400/13,650 [3.63/4.00]	12,400/13,650 [3.63/4.00]	12,400/13,650 [3.63/4.00]	12,400/13,650 [3.63/4.00]
Net System Power kW (SEER/SEER2)	4.24/4.29	4.24/4.29	4.24/4.29	4.24/4.29
Compressor				
No./Type	1/Scroll	1/Scroll	1/Scroll	1/Scroll
No./Stages	1	1	1	1
Outdoor Coil - Fin Type				
Tube Type	Louvered	Louvered	Louvered	Louvered
MicroChannel Depth in. [mm]	MicroChannel	MicroChannel	MicroChannel	MicroChannel
Face Area sq. ft. [sq. m]	0.71 [18]	0.71 [18]	0.71 [18]	0.71 [18]
Rows / FPI [FPcm]	16.52 [1.53]	16.52 [1.53]	16.48 [1.53]	16.48 [1.53]
	1 / 23 [9]	1 / 23 [9]	1 / 23 [9]	1 / 23 [9]
Indoor Coil - Fin Type				
Tube Type	Louvered	Louvered	Louvered	Louvered
MicroChannel Depth in. [mm]	MicroChannel	MicroChannel	MicroChannel	MicroChannel
Face Area sq. ft. [sq. m]	1 [25.4]	1 [25.4]	1 [25.4]	1 [25.4]
Rows / FPI [FPcm]	7.52 [0.7]	7.52 [0.7]	7.52 [0.7]	7.52 [0.7]
Refrigerant Control	1 / 20 [8]	1 / 20 [8]	1 / 20 [8]	1 / 20 [8]
Drain Connection No./Size in. [mm]	TX Valves	TX Valves	TX Valves	TX Valves
	1/0.75 [19.05]	1/0.75 [19.05]	1/0.75 [19.05]	1/0.75 [19.05]
Outdoor Fan - Type				
No. Used/Diameter in. [mm]	Propeller	Propeller	Propeller	Propeller
Drive Type/No. Speeds	1/26 [660.4]	1/26 [660.4]	1/26 [660.4]	1/26 [660.4]
CFM [L/s]	Direct/1	Direct/1	Direct/1	Direct/1
No. Motors/HP	5900 [2784]	5900 [2784]	5900 [2784]	5900 [2784]
Motor RPM	1 at 1/2 HP	1 at 1/2 HP	1 at 1/2 HP	1 at 1/2 HP
	1075	1075	1075	1075
Indoor Fan - Type				
No. Used/Diameter in. [mm]	FC Centrifugal	FC Centrifugal	FC Centrifugal	FC Centrifugal
Drive Type	1/11x11 [279x279]	1/11x11 [279x279]	1/11x11 [279x279]	1/11x11 [279x279]
No. Speeds	Direct	Direct	Direct	Direct
No. Motors	Multiple	Multiple	Multiple	Multiple
Motor HP	1	1	1	1
Motor RPM	3/4	3/4	1 1/2	1 1/2
Motor Frame Size	1050	1050	1050	1050
	48	48	48	48
Filter - Type				
Furnished	Disposable	Disposable	Disposable	Disposable
(NO.) Size Recommended in. [mm x mm x mm]	Yes	Yes	Yes	Yes
	(4)2x16x16 [51x406x406]	(4)2x16x16 [51x406x406]	(4)2x16x16 [51x406x406]	(4)2x16x16 [51x406x406]
Refrigerant Charge Oz. [g]				
	86 [2438]	86 [2438]	86 [2438]	86 [2438]
Weights				
Net Weight lbs. [kg]	580 [263]	580 [263]	630 [286]	630 [286]
Ship Weight lbs. [kg]	618 [280]	618 [280]	668 [303]	668 [303]

See Page 20 for Notes.

[] Designates Metric Conversions

NOM. SIZES 3-6 TONS [10.6-21.1 kW] ASHRAE 90.1 2016 COMPLIANT MODELS

Model RGECZR Series	060ACT 060ADT 060AJT	060ACU 060ADU	060AYT	060AYU
Cooling Performance^A				CONTINUED →
Gross Cooling Capacity Btu [kW]	59,500 [17.43]	59,500 [17.43]	59,500 [17.43]	59,500 [17.43]
EER/EER2	11.2/10.6	11.2/10.6	11.2/10.6	11.2/10.6
SEER/SEER2 ^B	14/13.4	14/13.4	14/13.4	14/13.4
Nominal CFM/AHRI Rated CFM [L/s]	2000 [944]	2000 [944]	2000 [944]	2000 [944]
AHRI Rated CFM (SEER/SEER2) [L/s]	1950/1700 [920/802]	1950/1700 [920/802]	1950/1700 [920/802]	1950/1700 [920/802]
AHRI Net Cooling Capacity Btu (SEER/SEER2) [kW]	57,500/57,000 [16.85/16.55]	57,500/57,000 [16.85/16.55]	57,500/57,000 [16.85/16.55]	57,500/57,000 [16.85/16.55]
Net Sensible Capacity Btu (SEER/SEER2) [kW]	41,000/39,200 [12.01/11.48]	41,000/39,200 [12.01/11.48]	41,000/39,200 [12.01/11.48]	41,000/39,200 [12.01/11.48]
Net Latent Capacity Btu (SEER/SEER2) [kW]	16,500/17,800 [4.83/5.22]	16,500/17,800 [4.83/5.22]	16,500/17,800 [4.83/5.22]	16,500/17,800 [4.83/5.22]
Net System Power kW (SEER/SEER2)	5.13/5.38	5.13/5.38	5.13/5.38	5.13/5.38
Compressor				
No./Type	1/Scroll	1/Scroll	1/Scroll	1/Scroll
No./Stages	1	1	1	1
Outdoor Coil - Fin Type				
Tube Type	Louvered	Louvered	Louvered	Louvered
MicroChannel Depth in. [mm]	MicroChannel	MicroChannel	MicroChannel	MicroChannel
Face Area sq. ft. [sq. m]	0.71 [18]	0.71 [18]	0.71 [18]	0.71 [18]
Rows / FPI [FPcm]	16.52 [1.53]	16.52 [1.53]	16.52 [1.53]	16.52 [1.53]
	1 / 23 [9]	1 / 23 [9]	1 / 23 [9]	1 / 23 [9]
Indoor Coil - Fin Type				
Tube Type	Louvered	Louvered	Louvered	Louvered
MicroChannel Depth in. [mm]	MicroChannel	MicroChannel	MicroChannel	MicroChannel
Face Area sq. ft. [sq. m]	1 [25.4]	1 [25.4]	1 [25.4]	1 [25.4]
Rows / FPI [FPcm]	7.52 [0.7]	7.52 [0.7]	7.52 [0.7]	7.52 [0.7]
	1 / 20 [8]	1 / 20 [8]	1 / 20 [8]	1 / 20 [8]
Refrigerant Control	TX Valves	TX Valves	TX Valves	TX Valves
Drain Connection No./Size in. [mm]	1/0.75 [19.05]	1/0.75 [19.05]	1/0.75 [19.05]	1/0.75 [19.05]
Outdoor Fan - Type				
No. Used/Diameter in. [mm]	Propeller	Propeller	Propeller	Propeller
Drive Type/No. Speeds	1/26 [660.4]	1/26 [660.4]	1/26 [660.4]	1/26 [660.4]
CFM [L/s]	Direct/1	Direct/1	Direct/1	Direct/1
No. Motors/HP	5900 [2784]	5900 [2784]	5900 [2784]	5900 [2784]
Motor RPM	1 at 1/2 HP	1 at 1/2 HP	1 at 1/2 HP	1 at 1/2 HP
	1075	1075	1075	1075
Indoor Fan - Type				
No. Used/Diameter in. [mm]	FC Centrifugal	FC Centrifugal	FC Centrifugal	FC Centrifugal
Drive Type	1/11x11 [279x279]	1/11x11 [279x279]	1/11x11 [279x279]	1/11x11 [279x279]
No. Speeds	Direct	Direct	Direct	Direct
No. Motors	Multiple	Multiple	Multiple	Multiple
Motor HP	1	1	1	1
Motor RPM	1 1/2	1 1/2	1 1/2	1 1/2
Motor Frame Size	1050	1050	1050	1050
	48	48	48	48
Filter - Type				
Furnished	Disposable	Disposable	Disposable	Disposable
(NO.) Size Recommended in. [mm x mm x mm]	Yes	Yes	Yes	Yes
	(4)2x16x16 [51x406x406]	(4)2x16x16 [51x406x406]	(4)2x16x16 [51x406x406]	(4)2x16x16 [51x406x406]
Refrigerant Charge Oz. [g]	82 [2324]	82 [2324]	82 [2324]	82 [2324]
Weights				
Net Weight lbs. [kg]	583 [264]	583 [264]	633 [287]	633 [287]
Ship Weight lbs. [kg]	621 [282]	621 [282]	671 [304]	671 [304]

See Page 20 for Notes.

[] Designates Metric Conversions

NOM. SIZES 3-6 TONS [10.6-21.1 kW] ASHRAE 90.1 2016 COMPLIANT MODELS

Model RGECZT Series	036	048	060
Cooling Performance^A			CONTINUED →
Gross Cooling Capacity Btu [kW]	39,500/35400 [11.57/10.37]	50,000/49,500 [14.65/14.5]	61,000/59,500 [17.87/17.43]
EER/EER2	12.5/12	12.5/12	12.5/12
SEER/SEER2 ^B	17/16.2	17/16.2	17/16.2
Nominal CFM	1200 [566]	1600 [755]	2000 [944]
AHRI Rated CFM (SEER/SEER2) [L/s]	1260/1055 [595/498]	1570/1420 [741/670]	1815/1615 [856/762]
AHRI Net Cooling Capacity Btu (SEER/SEER2) [kW]	38,500/34,800 [11.28/10.2]	48,500/48,000 [14.21/14.06]	59,000/57,500 [17.29/16.85]
Net Sensible Capacity Btu (SEER/SEER2) [kW]	27,500/24,200[8.06/7.09]	34,500/33,000 [10.11/9.67]	42,000/40,000 [12.31,11.72]
Net Latent Capacity Btu (SEER/SEER2) [kW]	11,000/10,600[3.22/3.11]	14,000/15,000 [4.1/4.39]	17,000/17,500 [4.98,5.13]
Net System Power kW (SEER/SEER2)	2.60/2.64	3.67/3.7	4.6/4.62
Compressor			
No./Type	1/Scroll	1/Scroll	1/Scroll
No./Stages	2	2	2
Outdoor Sound Rating (dB)⁵	79	83	86
Outdoor Coil - Fin Type	Louvered	Louvered	Louvered
Tube Type	MicroChannel	MicroChannel	MicroChannel
MicroChannel Depth in. [mm]	0.71 [18]	0.71 [18]	0.71 [18]
Face Area sq. ft. [sq. m]	16.72 [1.55]	16.72 [1.55]	16.66 [1.55]
Rows / FPI [FPcm]	1 / 23 [9]	1 / 23 [9]	1 / 23 [9]
Indoor Coil - Fin Type	Louvered	Louvered	Louvered
Tube Type	MicroChannel	MicroChannel	MicroChannel
MicroChannel Depth in. [mm]	1 [25.4]	1.26 [32]	1.26 [32]
Face Area sq. ft. [sq. m]	7.49 [0.69]	7.49 [0.69]	7.47 [0.69]
Rows / FPI [FPcm]	1 / 20 [8]	1 / 20 [8]	1 / 20 [8]
Refrigerant Control	TX Valves	TX Valves	TX Valves
Drain Connection No./Size in. [mm]	1/0.75 [19.05]	1/0.75 [19.05]	1/0.75 [19.05]
Outdoor Fan - Type	Propeller	Propeller	Propeller
No. Used/Diameter in. [mm]	1/26 [660.4]	1/26 [660.4]	1/26 [660.4]
Drive Type/No. Speeds	Direct/2	Direct/2	Direct/2
CFM [L/s]	4850 [2289]	5900 [2784]	5900 [2784]
No. Motors/HP	1 at 1/3 HP	1 at 1/2 HP	1 at 1/2 HP
Motor RPM	800/440	900/800	900/800
Indoor Fan - Type	FC Centrifugal	FC Centrifugal	FC Centrifugal
No. Used/Diameter in. [mm]	1/11x11 [279x279]	1/11x11 [279x279]	1/11x11 [279x279]
Drive Type	Direct	Direct	Direct
No. Speeds	Multiple	Multiple	Multiple
No. Motors	1	1	1
Motor HP (See Airflow Tables)	Varies	Varies	Varies
Filter - Type	Disposable	Disposable	Disposable
Furnished	Yes	Yes	Yes
(NO.) Size Recommended in. [mm x mm x mm]	(4)2x16x16 [51x406x406]	(4)2x16x16 [51x406x406]	(4)2x16x16 [51x406x406]
Refrigerant Charge Oz. [g]	76.8 [2177]	82.4 [2336]	90 [2552]
Weights			
Net Weight lbs. [kg]	561 [254]	580 [263]	583 [264]
Ship Weight lbs. [kg]	599 [272]	618 [280]	621 [282]

See Page 20 for Notes.

[] Designates Metric Conversions

NOM. SIZES 3-6 TONS [10.6-21.1 kW] ASHRAE 90.1 2016 COMPLIANT MODELS

Model RGECZT Series	072ACT	072ACU	072ADT	072ADU
Cooling Performance^A				CONTINUED →
Gross Cooling Capacity Btu [kW]	70,000 [20.51]	70,000 [20.51]	70,000 [20.51]	70,000 [20.51]
EER	11	11	11	11
IEERC	14.6	14.6	14.6	14.6
Nominal CFM/AHRI Rated CFM [L/s]	2400 [1133]	2400 [1133]	2400 [1133]	2400 [1133]
AHRI Rated CFM [L/s]	2400 [1133]	2400 [1133]	2400 [1133]	2400 [1133]
AHRI Net Cooling Capacity Btu [kW]	68000 [19.93]	68000 [19.93]	68000 [19.93]	68000 [19.93]
Net Sensible Capacity Btu [kW]	50199.9 [14.71]	50199.9 [14.71]	50199.9 [14.71]	50199.9 [14.71]
Net Latent Capacity Btu [kW]	17800.1 [5.22]	17800.1 [5.22]	17800.1 [5.22]	17800.1 [5.22]
Net System Power kW	6.18	6.18	6.18	6.18
Compressor				
No./Type	1/Scroll	1/Scroll	1/Scroll	1/Scroll
No./Stages	2	2	2	2
Outdoor Sound Rating (dB)^P	88	88	88	88
Outdoor Coil - Fin Type	Louvered	Louvered	Louvered	Louvered
Tube Type	MicroChannel	MicroChannel	MicroChannel	MicroChannel
MicroChannel Depth in. [mm]	1 [25.4]	1 [25.4]	1 [25.4]	1 [25.4]
Face Area sq. ft. [sq. m]	16.52 [1.53]	16.52 [1.53]	16.52 [1.53]	16.52 [1.53]
Rows / FPI [FPcm]	1 / 23 [9]	1 / 23 [9]	1 / 23 [9]	1 / 23 [9]
Indoor Coil - Fin Type	Louvered	Louvered	Louvered	Louvered
Tube Type	MicroChannel	MicroChannel	MicroChannel	MicroChannel
MicroChannel Depth in. [mm]	1 [32]	1 [32]	1 [32]	1 [32]
Face Area sq. ft. [sq. m]	7.52 [0.7]	7.52 [0.7]	7.52 [0.7]	7.52 [0.7]
Rows / FPI [FPcm]	1 / 20 [8]	1 / 20 [8]	1 / 20 [8]	1 / 20 [8]
Refrigerant Control	TX Valves	TX Valves	TX Valves	TX Valves
Drain Connection No./Size in. [mm]	1/0.75 [19.05]	1/0.75 [19.05]	1/0.75 [19.05]	1/0.75 [19.05]
Outdoor Fan - Type	Propeller	Propeller	Propeller	Propeller
No. Used/Diameter in. [mm]	1/26 [660.4]	1/26 [660.4]	1/26 [660.4]	1/26 [660.4]
Drive Type/No. Speeds	Direct/1	Direct/1	Direct/1	Direct/1
CFM [L/s]	5900 [2784]	5900 [2784]	5900 [2784]	5900 [2784]
No. Motors/HP	1 at 3/4 HP	1 at 3/4 HP	1 at 3/4 HP	1 at 3/4 HP
Motor RPM	1100	1100	1100	1100
Indoor Fan - Type	FC Centrifugal	FC Centrifugal	FC Centrifugal	FC Centrifugal
No. Used/Diameter in. [mm]	1/11x11 [279x279]	1/11x11 [279x279]	1/11x11 [279x279]	1/11x11 [279x279]
Drive Type	Direct	Direct	Direct	Direct
No. Speeds	Multiple	Multiple	Multiple	Multiple
No. Motors	1	1	1	1
Motor HP	1 1/5	1 1/5	1 1/5	1 1/5
Motor RPM	1300	1300	1300	1300
Motor Frame Size	48	48	48	48
Filter - Type	Disposable	Disposable	Disposable	Disposable
Furnished	Yes	Yes	Yes	Yes
(NO.) Size Recommended in. [mm x mm x mm]	(4)2x16x16 [51x406x406]	(4)2x16x16 [51x406x406]	(4)2x16x16 [51x406x406]	(4)2x16x16 [51x406x406]
Refrigerant Charge Oz. [g]	105.6 [2994]	105.6 [2994]	105.6 [2994]	105.6 [2994]
Weights				
Net Weight lbs. [kg]	582 [264]	582 [264]	582 [264]	582 [264]
Ship Weight lbs. [kg]	620 [281]	620 [281]	620 [281]	620 [281]

See Page 20 for Notes.

[] Designates Metric Conversions

NOM. SIZES 3-6 TONS [10.6-21.1 kW] ASHRAE 90.1 2016 COMPLIANT MODELS

Model RGECZT Series	072AYT	072AYU
Cooling Performance^A		
Gross Cooling Capacity Btu [kW]	70,000 [20.51]	70,000 [20.51]
EER	11	11
IEERC ^C	14.6	14.6
Nominal CFM/AHRI Rated CFM [L/s]	2400 [1133]	2400 [1133]
AHRI Rated CFM [L/s]	2400 [1133]	2400 [1133]
AHRI Net Cooling Capacity Btu [kW]	68000 [19.93]	68000 [19.93]
Net Sensible Capacity Btu [kW]	50199.9 [14.71]	50199.9 [14.71]
Net Latent Capacity Btu [kW]	17800.1 [5.22]	17800.1 [5.22]
Net System Power kW	6.18	6.18
Compressor		
No./Type	1/Scroll	1/Scroll
No./Stages	2	2
Outdoor Sound Rating (dB)^D		
	88	88
Outdoor Coil - Fin Type		
Tube Type	Louvered	Louvered
MicroChannel Depth in. [mm]	MicroChannel	MicroChannel
Face Area sq. ft. [sq. m]	1 [25.4]	1 [25.4]
Rows / FPI [FPcm]	16.52 [1.53]	16.52 [1.53]
	1 / 23 [9]	1 / 23 [9]
Indoor Coil - Fin Type		
Tube Type	Louvered	Louvered
MicroChannel Depth in. [mm]	MicroChannel	MicroChannel
Face Area sq. ft. [sq. m]	1 [32]	1 [32]
Rows / FPI [FPcm]	7.52 [0.7]	7.52 [0.7]
	1 / 20 [8]	1 / 20 [8]
Refrigerant Control	TX Valves	TX Valves
Drain Connection No./Size in. [mm]	1/0.75 [19.05]	1/0.75 [19.05]
Outdoor Fan - Type		
	Propeller	Propeller
No. Used/Diameter in. [mm]	1/26 [660.4]	1/26 [660.4]
Drive Type/No. Speeds	Direct/1	Direct/1
CFM [L/s]	5900 [2784]	5900 [2784]
No. Motors/HP	1 at 3/4 HP	1 at 3/4 HP
Motor RPM	1100	1100
Indoor Fan - Type		
	FC Centrifugal	FC Centrifugal
No. Used/Diameter in. [mm]	1/11x11 [279x279]	1/11x11 [279x279]
Drive Type	Direct	Direct
No. Speeds	Multiple	Multiple
No. Motors	1	1
Motor HP	1 1/5	1 1/5
Motor RPM	1300	1300
Motor Frame Size	48	48
Filter - Type		
	Disposable	Disposable
Furnished	Yes	Yes
(NO.) Size Recommended in. [mm x mm x mm]	(4)2x16x16 [51x406x406]	(4)2x16x16 [51x406x406]
Refrigerant Charge Oz. [g]		
	105.6 [2994]	105.6 [2994]
Weights		
Net Weight lbs. [kg]	582 [264]	582 [264]
Ship Weight lbs. [kg]	620 [281]	620 [281]

See Page 20 for Notes.

[] Designates Metric Conversions



NOTES:

- A. Cooling Performance is rated at 95° F ambient, 80° F entering dry bulb, 67° F entering wet bulb. Gross capacity does not include the effect of fan motor heat. AHRI capacity is net and includes the effect of fan motor heat. Units are suitable for operation to 20% of nominal cfm. Units are certified in accordance with the Unitary Air Conditioner Equipment certification program, which is based on AHRI Standard 210/240.
- B. EER and/or SEER are rated at AHRI conditions and in accordance with DOE test procedures.
- C. Integrated Energy Efficiency Ratio (IEER) is rated in accordance with AHRI Standard 340/360.
- D. Outdoor Sound Rating shown is tested in accordance with AHRI Standard 270.

WEIGHTED SOUND POWER LEVEL (dBA)

Unit Size – Series	Standard Rating (dBA)	TYPICAL OCTAVE BAND SPECTRUM (dBA without tone adjustment)							
		63	125	250	500	1000	2000	4000	8000
RGECZR036	78.6	46.2	64.4	63.8	68.4	69.1	66.2	61.4	56.7
RGECZR048	83.8	54.2	62.7	75.7	72.6	72.9	70.4	66.5	61
RGECZR060	83.3	55	61.7	71.6	72.4	73.1	70.5	66.4	62.5
RGECZT036	79.0	50	62.6	65.2	68.9	69.5	65.5	61.6	56.4
RGECZT048	83.0	49	63.2	69.2	72.8	72.5	70.2	65.5	58.6
RGECZT060	86.0	62	64.9	73.6	76.2	76.3	72.4	67.9	60.9
RGECZT072	83.3	55	61.7	71.6	72.4	73.1	70.5	66.4	62.5

Outdoor Sound Rating shown is tested in accordance with AHRI Standard 270.



RGEC** HEATING PERFORMANCE

208-230V & 575V						
Tonnage	3-Ton		4-Ton		5-Ton	
Heating Input BTU [kW] (High-Fire / Low-Fire)	75,000/52,500	100,000/70,000	75,000/52,500	120,000/84,000	75,000/52,500	120,000/84,000
	[21.98/115.39]	[29.31/20.52]	[21.98/115.39]	[35.17/24.62]	[21.98/115.39]	[35.17/24.62]
Heating Output BTU [kW] (High-Fire / Low-Fire)	60,750/42,525	81,000/56,700	60,750/42,525	97,200/68,040	60,750/42,525	97,200/68,040
	[17.80/12.46]	[23.74/16.62]	[17.80/12.46]	[28.49/19.94]	[17.80/12.46]	[28.49/19.94]
High-Fire Rise Range °F [°C]	25-55	35-65	25-55	40-70	25-55	35-65
	[13.9-30.6]	[19.4-36.1]	[13.9-30.6]	[22.2-38.9]	[13.9-30.6]	[22.2-38.9]
Low-Fire Rise Range °F [°C]	20-50	25-55	20-50	30-60	20-50	25-55
	[11.1-27.8]	[13.9-30.6]	[11.1-27.8]	[16-33]	[11.1-27.8]	[13.9-30.6]
Main Limit Temp °F	145	125	145	125	145	125
Rollout Temp. °F	250	250	250	250	250	250
Rating ESP In. W.C.	0.33	0.28	0.33	0.28	0.33	0.28
Maximum ESP In. W.C.	0.80	0.80	0.80	0.80	0.80	0.80
Max Outlet Air Temp °F [°C]	180 [82.2]	190 [87.8]	180 [82.2]	180 [82.2]	180 [82.2]	180 [82.2]
% AFUE	81.0	81.0	81.0	81.0	81.0	81.0
% Steady State Efficiency	81.0	81.0	81.0	81.0	81.0	81.0
460V						
Tonnage	3-Ton		4-Ton		5-Ton	
Heating Input BTU [kW] (High-Fire / Low-Fire)	75,000/52,500	100,000/70,000	75,000/52,500	120,000/84,000	75,000/52,500	120,000/84,000
	[21.98/115.39]	[29.31/20.52]	[21.98/115.39]	[35.17/24.62]	[21.98/115.39]	[35.17/24.62]
Heating Output BTU [kW] (High-Fire / Low-Fire)	60,750/42,525	81,000/56,700	60,750/42,525	97,200/68,040	60,750/42,525	97,200/68,040
	[17.80/12.46]	[23.74/16.62]	[17.80/12.46]	[28.49/19.94]	[17.80/12.46]	[28.49/19.94]
High-Fire Rise Range °F [°C]	30-60	35-65	30-60	40-70	30-60	35-65
	[16.7-33.3]	[19.4-36.1]	[16.7-33.3]	[22.2-38.9]	[16.7-33.3]	[19.4-36.1]
Low-Fire Rise Range °F [°C]	25-55	30-60	20-50	35-65	20-50	30-60
	[13.9-30.6]	[16.7-33.3]	[11.1-27.8]	[19.4-36.1]	[11.1-27.8]	[16.7-33.3]
Main Limit Temp °F	145	125	145	125	145	125
Rollout Temp. °F	250	250	250	250	250	250
Rating ESP In. W.C.	0.33	0.28	0.33	0.28	0.33	0.28
Maximum ESP In. W.C.	0.80	0.80	0.80	0.80	0.80	0.80
Max Outlet Air Temp °F [°C]	180 [82.2]	190 [87.8]	180 [82.2]	180 [82.2]	180 [82.2]	180 [82.2]
% Steady State Efficiency	81.0	81.0	81.0	81.0	81.0	81.0
Gas Valve Connection Pipe Size In. [mm] .50 [12.7]						

[] Designates Metric Conversions





RGEC** HEATING PERFORMANCE

208-230V & 575V		
Tonnage	6-Ton	
Heating Input BTU [kW] (High-Fire / Low-Fire)	75,000/52,500 [21.98/115.39]	120,000/84,000 [35.17/24.62]
Heating Output BTU [kW] (High-Fire / Low-Fire)	60,750/42,525 [17.80/12.46]	97,200/68,040 [28.49/19.94]
High-Fire Rise Range °F [°C]	25-55 [13.9-30.6]	35-65 [22.2-38.9]
Low-Fire Rise Range °F [°C]	20-50 [11.1-27.8]	30-60 [16.7-33.3]
Main Limit Temp °F	145	125
Rollout Temp. °F	250	250
Rating ESP In. W.C.	0.33	0.28
Maximum ESP In. W.C.	0.80	0.80
Max Outlet Air Temp °F [°C]	180 [82.2]	180 [82.2]
% AFUE	81.0	81.0
% Steady State Efficiency	81.0	81.0
460V		
Tonnage	6-Ton	
Heating Input BTU [kW] (High-Fire / Low-Fire)	75,000/52,500 [21.98/115.39]	120,000/84,000 [35.17/24.62]
Heating Output BTU [kW] (High-Fire / Low-Fire)	60,750/42,525 [17.80/12.46]	97,200/68,040 [28.49/19.94]
High-Fire Rise Range °F [°C]	30-60 [16.7-33.3]	35-65 [19.4-36.1]
Low-Fire Rise Range °F [°C]	20-50 [11.1-27.8]	30-60 [16.7-33.3]
Main Limit Temp °F	145	125
Rollout Temp. °F	250	250
Rating ESP In. W.C.	0.33	0.28
Maximum ESP In. W.C.	0.80	0.80
Max Outlet Air Temp °F [°C]	180 [82.2]	180 [82.2]
% Steady State Efficiency	81.0	81.0

[] Designates Metric Conversions

COOLING PERFORMANCE DATA – RGECZR036A

wB/E		ENTERING INDOOR AIR @ 80°F [26.7°C] dbE ①											
		71°F [21.7°C]		67°F [19.4°C]		63°F [17.2°C]		61°F [16.1°C]		59°F [15.0°C]			
CFM [L/s]	DR ①	1350 [637]	1300 [614]	1050 [496]	1350 [637]	1300 [614]	1050 [496]	1350 [637]	1300 [614]	1050 [496]	1350 [637]	1300 [614]	1050 [496]
75°F [23.9°C]	Total BTUH [kW]	43.5 [12.8]	43.2 [12.7]	41.7 [12.2]	40.4 [11.9]	38.8 [11.4]	38.4 [11.2]	37.8 [11.1]	37.6 [11.0]	36.3 [10.6]	37.7 [11.1]	37.5 [11.0]	36.2 [10.6]
	Sens BTUH [kW]	25.7 [7.5]	25.3 [7.4]	23.0 [6.7]	22.9 [6.8]	26.8 [7.8]	32.9 [9.6]	35.1 [10.3]	35.1 [10.3]	34.5 [10.1]	36.8 [10.8]	36.1 [10.6]	32.9 [9.6]
	Power	2.4	2.4	2.3	2.4	2.3	2.4	2.4	2.4	2.4	2.3	2.4	2.3
80°F [26.7°C]	Total BTUH [kW]	42.2 [12.4]	41.9 [12.3]	40.4 [11.8]	39.1 [11.5]	37.5 [11.0]	37.0 [10.8]	36.5 [10.7]	36.2 [10.6]	35.0 [10.2]	36.4 [10.7]	36.2 [10.6]	34.9 [10.2]
	Sens BTUH [kW]	25.0 [7.3]	24.5 [7.2]	22.3 [6.5]	22.3 [6.5]	26.1 [7.7]	32.7 [9.6]	34.4 [10.1]	34.4 [10.1]	33.8 [9.9]	36.0 [10.6]	35.4 [10.4]	32.2 [9.4]
	Power	2.5	2.5	2.4	2.4	2.5	2.5	2.5	2.5	2.5	2.4	2.5	2.4
85°F [29.4°C]	Total BTUH [kW]	40.8 [12.0]	40.6 [11.9]	39.1 [11.5]	37.8 [11.1]	36.2 [10.6]	35.7 [10.5]	35.2 [10.3]	34.9 [10.2]	33.7 [9.9]	35.1 [10.3]	34.8 [10.2]	33.6 [9.9]
	Sens BTUH [kW]	24.3 [7.1]	23.8 [7.0]	21.7 [6.4]	21.7 [6.4]	25.5 [7.5]	32.0 [9.4]	33.6 [9.9]	33.6 [9.9]	33.1 [9.7]	35.1 [10.3]	34.7 [10.2]	31.6 [9.3]
	Power	2.6	2.6	2.6	2.6	2.6	2.6	2.6	2.6	2.6	2.5	2.6	2.5
90°F [32.2°C]	Total BTUH [kW]	39.5 [11.6]	39.2 [11.5]	37.9 [11.1]	36.4 [10.7]	34.9 [10.2]	34.3 [10.1]	33.8 [9.9]	33.6 [9.8]	32.4 [9.5]	33.7 [9.9]	33.5 [9.8]	32.3 [9.5]
	Sens BTUH [kW]	23.6 [6.9]	23.2 [6.8]	21.1 [6.2]	21.1 [6.2]	24.9 [7.3]	31.3 [9.2]	33.0 [9.7]	33.0 [9.7]	32.4 [9.5]	33.7 [9.9]	33.5 [9.8]	31.0 [9.1]
	Power	2.7	2.7	2.7	2.7	2.7	2.7	2.7	2.7	2.8	2.7	2.7	2.7
95°F [35°C]	Total BTUH [kW]	38.2 [11.2]	37.9 [11.1]	36.6 [10.7]	35.1 [10.3]	34.9 [10.2]	33.0 [9.7]	32.5 [9.5]	32.3 [9.5]	31.1 [9.1]	32.4 [9.5]	32.2 [9.4]	31.0 [9.1]
	Sens BTUH [kW]	22.9 [6.7]	22.5 [6.6]	20.5 [6.0]	20.5 [6.0]	24.3 [7.1]	30.6 [9.0]	32.3 [9.5]	32.3 [9.5]	31.7 [9.3]	32.4 [9.5]	32.2 [9.4]	30.4 [8.9]
	Power	2.9	2.9	2.8	2.8	2.9	2.9	2.9	2.9	2.8	2.9	2.8	2.8
100°F [37.8°C]	Total BTUH [kW]	36.8 [10.8]	36.6 [10.7]	35.3 [10.3]	33.8 [9.9]	32.3 [9.5]	31.7 [9.3]	31.1 [9.1]	30.9 [9.1]	29.8 [8.7]	31.1 [9.1]	30.8 [9.0]	29.8 [8.7]
	Sens BTUH [kW]	22.3 [6.5]	21.9 [6.4]	19.9 [5.8]	19.9 [5.8]	23.7 [6.9]	30.0 [8.8]	31.1 [9.1]	31.1 [9.1]	30.9 [9.1]	31.1 [9.1]	30.8 [9.0]	29.8 [8.7]
	Power	3.0	3.0	3.0	3.0	3.0	3.0	3.0	3.0	3.0	3.0	3.0	2.9
105°F [40.6°C]	Total BTUH [kW]	35.5 [10.4]	35.2 [10.3]	34.0 [10.0]	32.4 [9.5]	31.1 [9.1]	30.3 [8.9]	29.8 [8.7]	29.6 [8.7]	28.6 [8.4]	29.7 [8.7]	29.5 [8.6]	28.5 [8.3]
	Sens BTUH [kW]	21.7 [6.3]	21.3 [6.2]	19.4 [5.7]	19.4 [5.7]	23.1 [6.8]	29.4 [8.6]	29.8 [8.7]	29.8 [8.7]	29.6 [8.7]	29.7 [8.7]	29.5 [8.6]	28.5 [8.3]
	Power	3.2	3.2	3.1	3.1	3.1	3.2	3.2	3.2	3.1	3.2	3.1	3.1
110°F [43.3°C]	Total BTUH [kW]	34.1 [10.0]	33.9 [9.9]	32.7 [9.6]	31.1 [9.1]	29.8 [8.7]	28.8 [8.5]	28.4 [8.3]	28.3 [8.3]	27.3 [8.0]	28.4 [8.3]	28.2 [8.3]	27.2 [8.0]
	Sens BTUH [kW]	21.1 [6.2]	20.7 [6.1]	18.8 [5.5]	18.8 [5.5]	22.6 [6.6]	28.8 [8.4]	28.4 [8.3]	28.4 [8.3]	28.3 [8.3]	28.4 [8.3]	28.2 [8.3]	27.2 [8.0]
	Power	3.3	3.3	3.3	3.3	3.3	3.3	3.3	3.3	3.3	3.3	3.3	3.2
115°F [46.1°C]	Total BTUH [kW]	32.8 [9.6]	32.6 [9.5]	31.4 [9.2]	29.7 [8.7]	28.5 [8.3]	27.6 [8.1]	27.1 [7.9]	26.9 [7.9]	26.0 [7.6]	27.0 [7.9]	26.8 [7.9]	25.9 [7.6]
	Sens BTUH [kW]	20.5 [6.0]	20.1 [5.9]	18.3 [5.4]	18.3 [5.4]	22.1 [6.5]	27.6 [8.1]	27.1 [7.9]	26.9 [7.9]	26.0 [7.6]	27.0 [7.9]	26.8 [7.9]	25.9 [7.6]
	Power	3.5	3.5	3.4	3.5	3.4	3.5	3.5	3.5	3.4	3.5	3.5	3.4
120°F [48.9°C]	Total BTUH [kW]	31.4 [9.2]	31.2 [9.1]	30.1 [8.8]	28.4 [8.3]	27.2 [8.0]	26.3 [7.7]	25.8 [7.5]	25.6 [7.5]	24.7 [7.2]	25.7 [7.5]	25.5 [7.5]	24.6 [7.2]
	Sens BTUH [kW]	19.9 [5.8]	19.6 [5.7]	17.8 [5.2]	17.8 [5.2]	21.6 [6.3]	26.3 [7.7]	25.8 [7.5]	25.8 [7.5]	24.7 [7.2]	25.7 [7.5]	25.5 [7.5]	24.6 [7.2]
	Power	3.7	3.7	3.6	3.7	3.6	3.7	3.7	3.7	3.6	3.7	3.7	3.6
125°F [51.7°C]	Total BTUH [kW]	30.1 [8.8]	29.9 [8.8]	28.8 [8.5]	27.0 [7.9]	25.9 [7.6]	24.9 [7.3]	24.4 [7.2]	24.2 [7.1]	23.4 [6.9]	24.3 [7.1]	24.2 [7.1]	23.3 [6.8]
	Sens BTUH [kW]	19.4 [5.7]	19.0 [5.6]	17.3 [5.1]	17.3 [5.1]	21.1 [6.2]	24.9 [7.3]	24.4 [7.2]	24.2 [7.1]	23.4 [6.9]	24.3 [7.1]	24.2 [7.1]	23.3 [6.8]
	Power	3.9	3.9	3.8	3.9	3.8	3.9	3.9	3.9	3.8	3.9	3.8	3.8

DR — Depression ratio
dbE — Entering air dry bulb
wB/E — Entering air wet bulb

① When the entering air dry bulb is other than 80°F [27°C], adjust the sensible capacity from the table by adding [1.10 x CFM x (1 - DR) x dbE - 80].

— Total capacity x 1000 BTUH
Sens — Sensible capacity x 1000 BTUH
Power — KW input

Ⓜ J Designates Metric Conversions

COOLING PERFORMANCE DATA – RGECCR048A

wB/E CFM [L/s] DR ①		ENTERING INDOOR AIR @ 80°F [26.7°C] dbE ①																		
		71°F [21.7°C]			67°F [19.4°C]			63°F [17.2°C]			61°F [16.1°C]			59°F [15.0°C]						
		1800 [850]	1730 [816]	1400 [661]	1800 [850]	1730 [816]	1400 [661]	1800 [850]	1730 [816]	1400 [661]	1800 [850]	1730 [816]	1400 [661]	1800 [850]	1730 [816]	1400 [661]				
75°F [23.9°C]	Total BTUH [kW]	57.9 [17.0]	57.5 [16.8]	55.5 [16.3]	53.8 [15.8]	53.4 [15.6]	51.5 [15.1]	50.6 [14.8]	50.2 [14.7]	48.5 [14.2]	47.1 [13.8]	46.0 [13.5]	44.6 [13.1]	44.4 [13.0]	43.7 [12.8]	42.0 [12.3]	40.5 [11.9]	39.9 [11.7]	38.8 [11.4]	
	Sens BTUH [kW]	32.7 [9.6]	32.1 [9.4]	29.3 [8.6]	39.1 [11.5]	38.4 [11.3]	35.0 [10.2]	44.4 [13.0]	43.6 [12.8]	43.0 [12.6]	41.6 [12.2]	41.6 [12.2]	40.8 [12.0]	40.1 [11.7]	39.3 [11.5]	38.5 [11.3]	37.5 [11.0]	37.1 [10.9]	36.8 [10.8]	35.3 [10.3]
80°F [26.7°C]	Total BTUH [kW]	56.3 [16.5]	55.9 [16.4]	54.0 [15.8]	52.2 [15.3]	51.8 [15.2]	50.0 [14.7]	49.0 [14.4]	48.7 [14.3]	47.9 [14.1]	47.6 [13.9]	46.3 [13.6]	45.7 [13.4]	45.7 [13.4]	45.3 [13.3]	44.0 [12.9]	42.3 [12.4]	40.8 [12.0]	40.7 [11.9]	39.3 [11.5]
	Sens BTUH [kW]	31.9 [9.4]	31.3 [9.2]	28.5 [8.4]	38.3 [11.2]	37.6 [11.0]	34.2 [10]	43.6 [12.8]	42.8 [12.5]	42.8 [12.5]	42.8 [12.5]	42.8 [12.5]	42.8 [12.5]	42.8 [12.5]	42.8 [12.5]	42.8 [12.5]	42.8 [12.5]	42.8 [12.5]	42.8 [12.5]	42.8 [12.5]
85°F [29.4°C]	Total BTUH [kW]	54.7 [16.0]	54.3 [15.9]	52.4 [15.4]	50.6 [14.8]	50.2 [14.7]	48.5 [14.2]	47.4 [13.9]	47.1 [13.8]	46.3 [13.6]	45.4 [13.3]	44.6 [13.1]	44.4 [13.0]	44.4 [13.0]	44.4 [13.0]	43.7 [12.8]	42.0 [12.3]	40.5 [11.9]	40.4 [11.8]	38.8 [11.4]
	Sens BTUH [kW]	31.0 [9.1]	30.5 [8.9]	27.8 [8.1]	37.4 [11.0]	36.7 [10.8]	33.5 [9.8]	42.7 [12.5]	42.0 [12.3]	42.0 [12.3]	42.0 [12.3]	42.0 [12.3]	42.0 [12.3]	42.0 [12.3]	42.0 [12.3]	42.0 [12.3]	42.0 [12.3]	42.0 [12.3]	42.0 [12.3]	42.0 [12.3]
90°F [32.2°C]	Total BTUH [kW]	53.0 [15.5]	52.6 [15.4]	50.8 [14.9]	48.9 [14.3]	48.5 [14.2]	46.9 [13.7]	45.7 [13.4]	45.4 [13.3]	44.6 [13.1]	43.8 [12.8]	43.0 [12.6]	42.8 [12.5]	42.8 [12.5]	42.8 [12.5]	42.3 [12.4]	40.5 [11.9]	40.4 [11.8]	38.8 [11.4]	37.1 [10.9]
	Sens BTUH [kW]	30.2 [8.8]	29.6 [8.7]	27.0 [7.9]	36.5 [10.7]	35.9 [10.5]	32.7 [9.6]	41.9 [12.3]	41.1 [12.0]	41.1 [12.0]	41.1 [12.0]	41.1 [12.0]	41.1 [12.0]	41.1 [12.0]	41.1 [12.0]	41.1 [12.0]	41.1 [12.0]	41.1 [12.0]	41.1 [12.0]	41.1 [12.0]
95°F [35°C]	Total BTUH [kW]	51.3 [15.0]	50.9 [14.9]	49.1 [14.4]	47.2 [13.8]	46.8 [13.7]	45.2 [13.2]	44.0 [12.9]	43.7 [12.8]	42.9 [12.6]	42.6 [12.5]	42.2 [12.4]	42.2 [12.4]	42.2 [12.4]	42.2 [12.4]	42.0 [12.3]	40.5 [11.9]	40.4 [11.8]	38.8 [11.4]	37.1 [10.9]
	Sens BTUH [kW]	29.2 [8.6]	28.7 [8.4]	26.1 [7.7]	35.6 [10.4]	35.0 [10.2]	31.8 [9.3]	40.9 [12.0]	40.2 [11.8]	40.2 [11.8]	40.2 [11.8]	40.2 [11.8]	40.2 [11.8]	40.2 [11.8]	40.2 [11.8]	40.2 [11.8]	40.2 [11.8]	40.2 [11.8]	40.2 [11.8]	40.2 [11.8]
100°F [37.8°C]	Total BTUH [kW]	49.5 [14.5]	49.1 [14.4]	47.4 [13.9]	45.4 [13.3]	45.1 [13.2]	43.5 [12.7]	42.2 [12.4]	41.9 [12.3]	41.5 [12.2]	40.8 [12.0]	40.5 [11.9]	40.5 [11.9]	40.5 [11.9]	40.5 [11.9]	40.2 [11.8]	38.8 [11.4]	37.1 [10.9]	35.3 [10.3]	33.4 [9.8]
	Sens BTUH [kW]	28.3 [8.3]	27.8 [8.1]	25.3 [7.4]	34.7 [10.2]	34.0 [10.0]	31.0 [9.1]	40.0 [11.7]	39.3 [11.5]	39.3 [11.5]	39.3 [11.5]	39.3 [11.5]	39.3 [11.5]	39.3 [11.5]	39.3 [11.5]	39.3 [11.5]	39.3 [11.5]	39.3 [11.5]	39.3 [11.5]	39.3 [11.5]
105°F [40.6°C]	Total BTUH [kW]	47.7 [14.0]	47.3 [13.9]	45.7 [13.4]	43.6 [12.8]	43.3 [12.7]	41.8 [12.2]	40.4 [11.8]	40.1 [11.7]	40.1 [11.7]	39.3 [11.5]	39.0 [11.4]	38.7 [11.3]	38.7 [11.3]	38.7 [11.3]	38.4 [11.3]	37.1 [10.9]	35.3 [10.3]	33.4 [9.8]	31.5 [9.3]
	Sens BTUH [kW]	27.3 [8.0]	26.8 [7.9]	24.4 [7.2]	33.7 [9.9]	33.1 [9.7]	30.1 [8.8]	39.0 [11.4]	38.3 [11.2]	38.3 [11.2]	38.3 [11.2]	38.3 [11.2]	38.3 [11.2]	38.3 [11.2]	38.3 [11.2]	38.3 [11.2]	38.3 [11.2]	38.3 [11.2]	38.3 [11.2]	38.3 [11.2]
110°F [43.3°C]	Total BTUH [kW]	45.8 [13.4]	45.5 [13.3]	43.9 [12.9]	41.7 [12.2]	41.4 [12.1]	40.0 [11.7]	38.5 [11.3]	38.3 [11.2]	38.3 [11.2]	37.5 [11.0]	37.2 [10.9]	37.2 [10.9]	37.2 [10.9]	37.2 [10.9]	36.5 [10.7]	35.3 [10.3]	33.4 [9.8]	31.5 [9.3]	29.6 [8.7]
	Sens BTUH [kW]	26.3 [7.7]	25.9 [7.6]	23.6 [6.9]	32.7 [9.6]	32.1 [9.4]	29.2 [8.6]	38.0 [11.1]	37.3 [10.9]	37.3 [10.9]	37.3 [10.9]	37.3 [10.9]	37.3 [10.9]	37.3 [10.9]	37.3 [10.9]	37.3 [10.9]	37.3 [10.9]	37.3 [10.9]	37.3 [10.9]	37.3 [10.9]
115°F [46.1°C]	Total BTUH [kW]	43.9 [12.9]	43.6 [12.8]	42.1 [12.3]	39.8 [11.7]	39.5 [11.6]	38.1 [11.2]	36.6 [10.7]	36.4 [10.7]	36.4 [10.7]	35.5 [10.4]	35.3 [10.3]	35.3 [10.3]	35.3 [10.3]	35.3 [10.3]	34.6 [10.2]	33.4 [9.8]	31.5 [9.3]	29.6 [8.7]	27.7 [8.1]
	Sens BTUH [kW]	25.3 [7.4]	24.8 [7.3]	22.6 [6.6]	31.7 [9.3]	31.1 [9.1]	28.3 [8.3]	36.6 [10.7]	36.3 [10.6]	36.3 [10.6]	35.5 [10.4]	35.3 [10.3]	35.3 [10.3]	35.3 [10.3]	35.3 [10.3]	35.3 [10.3]	35.3 [10.3]	35.3 [10.3]	35.3 [10.3]	35.3 [10.3]
120°F [48.9°C]	Total BTUH [kW]	42.0 [12.3]	41.6 [12.2]	40.2 [11.8]	37.8 [11.1]	37.6 [11.0]	36.3 [10.6]	34.7 [10.2]	34.4 [10.1]	34.4 [10.1]	33.6 [9.8]	33.3 [9.8]	33.3 [9.8]	33.3 [9.8]	33.3 [9.8]	32.7 [9.6]	31.6 [9.3]	29.7 [8.7]	27.8 [8.1]	25.9 [7.6]
	Sens BTUH [kW]	24.3 [7.1]	23.8 [7.0]	21.7 [6.4]	30.6 [9.0]	30.1 [8.8]	27.4 [8.0]	34.7 [10.2]	34.4 [10.1]	34.4 [10.1]	33.6 [9.8]	33.3 [9.8]	33.3 [9.8]	33.3 [9.8]	33.3 [9.8]	33.3 [9.8]	33.3 [9.8]	33.3 [9.8]	33.3 [9.8]	33.3 [9.8]
125°F [51.7°C]	Total BTUH [kW]	39.9 [11.7]	39.7 [11.6]	38.3 [11.2]	35.8 [10.5]	35.6 [10.4]	34.3 [10.1]	32.7 [9.6]	32.4 [9.5]	32.4 [9.5]	31.6 [9.3]	31.4 [9.2]	31.4 [9.2]	31.4 [9.2]	31.4 [9.2]	30.7 [9.0]	29.7 [8.7]	27.8 [8.1]	25.9 [7.6]	24.0 [7.0]
	Sens BTUH [kW]	23.2 [6.8]	22.8 [6.7]	20.7 [6.1]	29.6 [8.7]	29.0 [8.5]	26.4 [7.7]	32.7 [9.6]	32.4 [9.5]	32.4 [9.5]	31.6 [9.3]	31.4 [9.2]	31.4 [9.2]	31.4 [9.2]	31.4 [9.2]	31.4 [9.2]	31.4 [9.2]	31.4 [9.2]	31.4 [9.2]	31.4 [9.2]
Power		5.0	5.0	4.9	5.0	5.0	4.9	5.0	5.0	5.0	5.0	5.0	5.0	5.0	5.0	5.0	5.0	5.0	5.0	5.0

DR — Depression ratio
 dbE — Entering air dry bulb
 wB/E — Entering air wet bulb

NOTES: ① When the entering air dry bulb is other than 80°F [27°C], adjust the sensible capacity from the table by adding [1.10 x CFM x (1 - DR) x dbE - 80].

— Total capacity x 1000 BTUH
 Sens — Sensible capacity x 1000 BTUH
 Power — KW input

[J Designates Metric Conversions



COOLING PERFORMANCE DATA – RGEZR060A

wB E		ENTERING INDOOR AIR @ 80°F [26.7°C] dB E ①														
		71°F [21.7°C]			67°F [19.4°C]			63°F [17.2°C]			61°F [16.1°C]			59°F [15.0°C]		
CFM [L/s]	DR [L]	2250 [1062]	1950 [920]	1750 [826]	2250 [1062]	1950 [920]	1750 [826]	2250 [1062]	1950 [920]	1750 [826]	2250 [1062]	1950 [920]	1750 [826]	2250 [1062]	1950 [920]	1750 [826]
75°F [23.9°C]	Total BTUH [kW]	72.9 [21.4]	70.9 [20.8]	69.6 [20.4]	68.5 [20.1]	66.7 [19.5]	65.4 [19.2]	64.6 [18.9]	62.9 [18.4]	61.7 [18.1]	61.0 [17.9]	60.1 [17.6]	59.6 [17.5]	58.7 [17.2]	57.8 [16.9]	55.0 [16.1]
	Sens BTUH [kW]	41.9 [12.3]	39.1 [11.5]	37.2 [10.9]	49.9 [14.6]	46.6 [13.6]	44.4 [13.0]	58.8 [16.7]	53.0 [15.5]	59.7 [17.5]	55.7 [16.3]	53.0 [15.5]	61.5 [18.0]	57.8 [16.9]	57.8 [16.9]	55.0 [16.1]
	Power	4.0	4.0	4.0	3.5	3.5	3.5	3.0	3.0	2.8	2.8	2.7	2.5	2.5	2.5	2.5
80°F [26.7°C]	Total BTUH [kW]	71.0 [20.8]	69.1 [20.2]	67.8 [19.9]	66.6 [19.5]	64.8 [19.0]	63.6 [18.6]	62.7 [18.4]	61.0 [17.9]	59.9 [17.5]	59.6 [17.5]	58.3 [17.1]	58.0 [17.0]	56.9 [16.7]	56.9 [16.7]	54.2 [15.9]
	Sens BTUH [kW]	41.0 [12.0]	38.2 [11.2]	36.4 [10.7]	49.0 [14.4]	45.7 [13.4]	43.5 [12.8]	55.9 [16.4]	52.2 [15.3]	58.8 [17.2]	54.8 [16.1]	52.2 [15.3]	59.6 [17.5]	56.0 [16.4]	56.0 [16.4]	53.3 [15.6]
	Power	4.2	4.1	4.1	3.7	3.6	3.6	3.2	2.9	2.9	2.8	2.8	2.7	2.6	2.6	2.6
85°F [29.4°C]	Total BTUH [kW]	69.0 [20.2]	67.1 [19.7]	65.9 [19.3]	64.6 [18.9]	62.9 [18.4]	61.7 [18.1]	60.7 [17.8]	59.1 [17.3]	57.4 [16.8]	57.0 [17.3]	56.4 [16.5]	55.6 [16.3]	54.1 [15.8]	54.1 [15.8]	51.5 [15.0]
	Sens BTUH [kW]	40.0 [11.7]	37.3 [10.9]	35.5 [10.4]	48.0 [14.1]	44.8 [13.1]	42.7 [12.5]	54.9 [16.1]	51.3 [15.0]	57.8 [16.9]	53.9 [15.8]	51.3 [15.0]	57.6 [16.9]	56.0 [16.4]	56.0 [16.4]	53.3 [15.6]
	Power	4.4	4.3	4.3	3.9	3.8	3.8	3.4	3.1	3.1	3.1	3.1	2.9	2.8	2.8	2.8
90°F [32.2°C]	Total BTUH [kW]	67.0 [19.6]	65.2 [19.1]	63.9 [18.7]	62.6 [18.3]	60.9 [17.8]	59.7 [17.5]	58.7 [17.2]	57.1 [16.7]	55.4 [16.2]	55.0 [17.0]	54.4 [15.9]	53.5 [15.7]	52.0 [15.2]	52.0 [15.2]	51.0 [15.0]
	Sens BTUH [kW]	39.0 [11.4]	36.4 [10.7]	34.6 [10.1]	47.0 [13.8]	43.9 [12.9]	41.8 [12.2]	53.9 [15.8]	50.3 [14.7]	56.7 [16.6]	52.9 [15.5]	50.4 [14.8]	55.6 [16.3]	54.1 [15.8]	54.1 [15.8]	51.0 [15.0]
	Power	4.7	4.6	4.6	4.2	4.1	4.1	3.7	3.6	3.4	3.4	3.4	3.2	3.2	3.2	3.1
95°F [35°C]	Total BTUH [kW]	64.9 [19.0]	63.1 [18.5]	61.9 [18.1]	60.5 [17.7]	58.8 [17.2]	57.7 [16.9]	56.6 [16.6]	55.0 [16.1]	53.4 [15.6]	53.0 [17.0]	52.4 [15.4]	51.3 [15.0]	50.3 [14.8]	49.9 [14.6]	49.0 [14.4]
	Sens BTUH [kW]	37.9 [11.1]	35.3 [10.4]	33.6 [9.9]	45.9 [13.5]	42.8 [12.6]	40.8 [11.9]	52.8 [15.5]	49.3 [14.4]	54.9 [16.1]	51.9 [15.2]	49.4 [14.5]	53.5 [15.7]	52.0 [15.2]	52.0 [15.2]	51.0 [15.0]
	Power	5.1	5.0	5.0	4.6	4.6	4.5	4.1	4.1	3.9	3.8	3.8	3.6	3.6	3.6	3.5
100°F [37.8°C]	Total BTUH [kW]	62.7 [18.4]	61.0 [17.9]	59.9 [17.5]	58.3 [17.1]	56.7 [16.6]	55.7 [16.3]	54.4 [15.9]	52.9 [15.5]	51.3 [15.0]	51.3 [15.0]	50.3 [14.8]	49.1 [14.4]	47.8 [14.0]	47.8 [14.0]	46.9 [13.7]
	Sens BTUH [kW]	36.7 [10.8]	34.3 [10.0]	32.6 [9.6]	44.7 [13.1]	41.7 [12.2]	39.7 [11.6]	51.7 [15.1]	48.2 [14.1]	52.7 [15.5]	50.8 [14.9]	48.4 [14.2]	51.3 [15.0]	49.9 [14.6]	49.9 [14.6]	49.0 [14.4]
	Power	5.6	5.6	5.5	5.1	5.1	5.0	4.6	4.6	4.4	4.3	4.3	4.1	4.1	4.1	4.0
105°F [40.6°C]	Total BTUH [kW]	60.5 [17.7]	58.9 [17.2]	57.8 [16.9]	56.1 [16.4]	54.6 [16.0]	53.6 [15.7]	52.2 [15.3]	50.8 [14.9]	50.5 [14.8]	50.5 [14.8]	49.1 [14.4]	48.2 [14.1]	47.8 [14.0]	47.8 [14.0]	46.9 [13.7]
	Sens BTUH [kW]	35.5 [10.4]	33.1 [9.7]	31.5 [9.2]	43.5 [12.8]	40.6 [11.9]	38.7 [11.3]	50.4 [14.8]	47.1 [13.8]	50.5 [14.8]	49.1 [14.4]	47.3 [13.9]	49.1 [14.4]	47.8 [14.0]	47.8 [14.0]	46.9 [13.7]
	Power	6.3	6.2	6.1	5.8	5.7	5.6	5.3	5.2	5.0	4.9	4.9	4.8	4.7	4.7	4.7
110°F [43.3°C]	Total BTUH [kW]	58.2 [17.1]	56.6 [16.6]	55.6 [16.3]	53.8 [15.8]	52.4 [15.3]	51.4 [15.1]	49.9 [14.6]	48.6 [14.2]	48.2 [14.1]	48.2 [14.1]	46.1 [13.5]	46.8 [13.7]	45.6 [13.3]	45.6 [13.3]	44.7 [13.1]
	Sens BTUH [kW]	34.2 [10.0]	31.9 [9.4]	30.4 [8.9]	42.2 [12.4]	39.4 [11.5]	37.5 [11.0]	49.9 [14.4]	45.9 [13.4]	48.2 [14.1]	46.9 [13.8]	46.1 [13.5]	46.8 [13.7]	45.6 [13.3]	45.6 [13.3]	44.7 [13.1]
	Power	7.0	6.9	6.8	6.5	6.4	6.3	6.0	5.9	5.7	5.7	5.6	5.5	5.4	5.4	5.4
115°F [46.1°C]	Total BTUH [kW]	55.9 [16.4]	54.4 [15.9]	53.4 [15.6]	51.5 [15.1]	50.1 [14.7]	49.2 [14.4]	47.6 [13.9]	46.3 [13.6]	45.9 [13.5]	45.9 [13.5]	43.8 [12.8]	44.5 [13.0]	43.3 [12.7]	43.3 [12.7]	42.5 [12.4]
	Sens BTUH [kW]	32.9 [9.6]	30.7 [9.0]	29.2 [8.6]	40.9 [12.0]	38.2 [11.2]	36.3 [10.6]	47.6 [13.9]	44.6 [13.1]	45.9 [13.5]	44.7 [13.1]	43.8 [12.8]	44.5 [13.0]	43.3 [12.7]	43.3 [12.7]	42.5 [12.4]
	Power	7.8	7.7	7.6	7.3	7.2	7.1	6.8	6.7	6.6	6.5	6.4	6.3	6.2	6.2	6.2
120°F [48.9°C]	Total BTUH [kW]	53.5 [15.7]	52.1 [15.3]	51.1 [15.0]	49.1 [14.4]	47.8 [14.0]	46.9 [13.7]	45.2 [13.2]	44.0 [12.9]	43.5 [12.8]	43.5 [12.8]	41.6 [12.2]	42.1 [12.3]	41.0 [12.0]	41.0 [12.0]	40.2 [11.8]
	Sens BTUH [kW]	31.5 [9.2]	29.4 [8.6]	28.0 [8.2]	39.5 [11.6]	36.8 [10.8]	35.1 [10.3]	45.2 [13.2]	43.3 [12.7]	43.5 [12.8]	42.3 [12.4]	41.6 [12.2]	42.1 [12.3]	41.0 [12.0]	41.0 [12.0]	40.2 [11.8]
	Power	8.7	8.6	8.5	8.2	8.1	8.1	7.7	7.6	7.5	7.4	7.3	7.2	7.1	7.1	7.1
125°F [51.7°C]	Total BTUH [kW]	51.1 [15.0]	49.7 [14.6]	48.7 [14.3]	46.7 [13.7]	45.4 [13.3]	44.6 [13.1]	42.8 [12.5]	41.6 [12.2]	41.1 [12.0]	41.1 [12.0]	39.2 [11.5]	39.7 [11.6]	38.6 [11.3]	38.6 [11.3]	37.9 [11.1]
	Sens BTUH [kW]	30.0 [8.8]	28.0 [8.2]	26.6 [7.8]	38.0 [11.1]	35.5 [10.4]	33.8 [9.9]	42.8 [12.5]	41.6 [12.2]	41.1 [12.0]	41.1 [12.0]	39.2 [11.5]	39.7 [11.6]	38.6 [11.3]	38.6 [11.3]	37.9 [11.1]
	Power	9.8	9.6	9.6	9.3	9.1	9.1	8.8	8.7	8.5	8.4	8.3	8.3	8.2	8.2	8.1

OUT DOOR DRY BULB TEMPERATURE °F [°C]

DR —Depression ratio
dB E —Entering air dry bulb
wB E —Entering air wet bulb

Total —Total capacity x 1000 BTUH
Sens —Sensible capacity x 1000 BTUH
Power —KW input

NOTES: ① When the entering air dry bulb is other than 80°F [27°C], adjust the sensible capacity from the table by adding [1.10 x CFM x (1 – DR) x (dB E – 80)].

[] Designates Metric Conversions

COOLING PERFORMANCE DATA – RGE CZT036A

wB/E CFM [L/s]		ENTERING INDOOR AIR @ 80°F [26.7°C] dbE ①												
		71°F [21.7°C]		67°F [19.4°C]		63°F [17.2°C]		61°F [16.1°C]		59°F [15.0°C]				
DR ①		1350 [637]	1055 [498]	1050 [496]	1050 [496]	1055 [498]	1055 [498]	1350 [637]	1055 [498]	1050 [496]	1050 [496]	1350 [637]	1055 [498]	1050 [496]
75°F [23.9°C]	Total BTUH [KW]	46.2 [13.6]	44.0 [12.9]	44.0 [12.9]	41.0 [12.0]	40.9 [12.0]	38.9 [11.4]	40.2 [11.8]	38.3 [11.2]	38.3 [11.2]	38.3 [11.2]	40.0 [11.7]	38.1 [11.2]	38.0 [11.1]
	Sens BTUH [KW]	25.9 [7.6]	22.9 [6.7]	22.9 [6.7]	27.6 [8.1]	35.7 [10.5]	31.6 [9.2]	37.5 [11.0]	33.2 [9.7]	33.1 [9.7]	33.1 [9.7]	38.9 [11.4]	34.4 [10.1]	34.4 [10.1]
	Power	2.0	2.0	2.0	2.0	2.0	1.9	2.0	2.0	1.9	1.9	2.0	1.9	1.9
80°F [26.7°C]	Total BTUH [KW]	44.8 [13.1]	42.6 [12.5]	42.6 [12.5]	39.6 [11.6]	39.4 [11.5]	37.5 [11.0]	38.8 [11.4]	36.9 [10.8]	36.9 [10.8]	36.9 [10.8]	38.5 [11.3]	36.7 [10.7]	36.6 [10.7]
	Sens BTUH [KW]	25.1 [7.3]	22.2 [6.5]	22.1 [6.5]	26.8 [7.9]	34.8 [10.2]	30.8 [9.0]	36.6 [10.7]	32.4 [9.5]	32.3 [9.5]	32.3 [9.5]	38.1 [11.2]	33.7 [9.9]	33.6 [9.8]
	Power	2.1	2.1	2.1	2.1	2.1	2.1	2.1	2.0	2.0	2.0	2.1	2.0	2.0
85°F [29.4°C]	Total BTUH [KW]	43.3 [12.7]	41.2 [12.1]	41.2 [12.1]	38.2 [11.2]	37.9 [11.1]	36.1 [10.6]	37.3 [10.9]	35.5 [10.4]	35.5 [10.4]	35.5 [10.4]	37.1 [10.9]	35.3 [10.3]	35.2 [10.3]
	Sens BTUH [KW]	24.3 [7.1]	21.5 [6.3]	21.4 [6.3]	26 [7.6]	34.0 [10.0]	30.1 [8.8]	35.8 [10.5]	31.7 [9.3]	31.6 [9.3]	31.6 [9.3]	37.1 [10.9]	33.0 [9.7]	32.9 [9.6]
	Power	2.2	2.2	2.2	2.2	2.2	2.2	2.2	2.2	2.2	2.2	2.2	2.2	2.2
90°F [32.2°C]	Total BTUH [KW]	41.8 [12.3]	39.8 [11.7]	39.8 [11.7]	36.8 [10.8]	36.5 [10.7]	34.7 [10.2]	35.8 [10.5]	34.1 [10.0]	34.1 [10.0]	34.1 [10.0]	35.6 [10.4]	33.9 [9.9]	33.9 [9.9]
	Sens BTUH [KW]	23.5 [6.9]	20.8 [6.1]	20.8 [6.1]	25.4 [7.5]	33.3 [9.7]	29.4 [8.6]	35.1 [10.3]	31.0 [9.1]	31.0 [9.1]	31.0 [9.1]	35.6 [10.4]	32.3 [9.5]	32.2 [9.4]
	Power	2.4	2.3	2.3	2.3	2.4	2.3	2.4	2.3	2.3	2.3	2.3	2.3	2.3
95°F [35°C]	Total BTUH [KW]	40.4 [11.8]	38.4 [11.3]	38.4 [11.3]	35.4 [10.4]	35.0 [10.3]	33.3 [9.8]	34.4 [10.1]	32.7 [9.6]	32.7 [9.6]	32.7 [9.6]	34.1 [10.0]	32.5 [9.5]	32.5 [9.5]
	Sens BTUH [KW]	22.8 [6.7]	20.2 [5.9]	20.2 [5.9]	24.9 [7.3]	32.6 [9.5]	28.8 [8.4]	34.4 [10.1]	30.4 [8.9]	30.4 [8.9]	30.4 [8.9]	34.1 [10.0]	31.7 [9.3]	31.6 [9.3]
	Power	2.5	2.5	2.5	2.4	2.5	2.4	2.5	2.4	2.4	2.4	2.5	2.4	2.4
100°F [37.8°C]	Total BTUH [KW]	38.9 [11.4]	37.1 [10.9]	37.0 [10.8]	34.0 [10.0]	33.6 [9.8]	32.0 [9.4]	32.9 [9.7]	31.3 [9.2]	31.3 [9.2]	31.3 [9.2]	32.7 [9.6]	31.1 [9.1]	31.1 [9.1]
	Sens BTUH [KW]	22.2 [6.5]	19.7 [5.8]	19.6 [5.7]	24.3 [7.1]	32.0 [9.4]	28.3 [8.3]	32.9 [9.7]	29.9 [8.8]	29.8 [8.7]	29.8 [8.7]	32.7 [9.6]	31.1 [9.1]	31.1 [9.1]
	Power	2.7	2.6	2.6	2.6	2.7	2.6	2.6	2.6	2.6	2.6	2.6	2.6	2.6
105°F [40.6°C]	Total BTUH [KW]	37.5 [11.0]	35.7 [10.5]	35.7 [10.4]	32.7 [9.6]	32.1 [9.4]	30.6 [9.0]	31.5 [9.2]	30.0 [8.8]	30.0 [8.8]	30.0 [8.8]	31.3 [9.2]	29.8 [8.7]	29.7 [8.7]
	Sens BTUH [KW]	21.7 [6.4]	19.2 [5.6]	19.1 [5.6]	23.8 [7.0]	31.4 [9.2]	27.8 [8.1]	31.5 [9.2]	29.4 [8.6]	29.4 [8.6]	29.4 [8.6]	31.3 [9.2]	29.8 [8.7]	29.7 [8.7]
	Power	2.8	2.8	2.8	2.8	2.8	2.7	2.7	2.7	2.7	2.7	2.7	2.7	2.7
110°F [43.3°C]	Total BTUH [KW]	36.1 [10.6]	34.3 [10.1]	34.3 [10.1]	31.3 [9.2]	30.7 [9.0]	29.2 [8.6]	30.1 [8.8]	28.6 [8.4]	28.6 [8.4]	28.6 [8.4]	29.8 [8.7]	28.4 [8.3]	28.4 [8.3]
	Sens BTUH [KW]	21.2 [6.2]	18.8 [5.5]	18.7 [5.5]	23.4 [6.9]	30.7 [9.0]	27.4 [8.0]	30.1 [8.8]	28.6 [8.4]	28.6 [8.4]	28.6 [8.4]	29.8 [8.7]	28.4 [8.3]	28.4 [8.3]
	Power	3.0	2.9	2.9	2.9	3.0	2.9	3.0	2.9	2.9	2.9	3.0	2.9	2.9
115°F [46.1°C]	Total BTUH [KW]	34.7 [10.2]	33.0 [9.7]	32.9 [9.7]	30.0 [8.8]	29.3 [8.6]	27.9 [8.2]	28.7 [8.4]	27.3 [8.0]	27.2 [8.0]	27.2 [8.0]	28.4 [8.3]	27.0 [7.9]	27.0 [7.9]
	Sens BTUH [KW]	20.8 [6.1]	18.4 [5.4]	18.3 [5.4]	23.0 [6.7]	29.3 [8.6]	27.0 [7.9]	28.7 [8.4]	27.3 [8.0]	27.2 [8.0]	27.2 [8.0]	28.4 [8.3]	27.0 [7.9]	27.0 [7.9]
	Power	3.2	3.1	3.1	3.1	3.2	3.1	3.2	3.1	3.1	3.1	3.2	3.1	3.1
120°F [48.9°C]	Total BTUH [KW]	33.2 [9.7]	31.6 [9.3]	31.6 [9.3]	28.6 [8.4]	27.9 [8.2]	26.5 [7.8]	27.2 [8.0]	25.9 [7.6]	25.9 [7.6]	25.9 [7.6]	27.0 [7.9]	25.7 [7.5]	25.7 [7.5]
	Sens BTUH [KW]	20.4 [6.0]	18.1 [5.3]	18.0 [5.3]	22.7 [6.7]	27.9 [8.2]	26.5 [7.8]	27.2 [8.0]	25.9 [7.6]	25.9 [7.6]	25.9 [7.6]	27.0 [7.9]	25.7 [7.5]	25.7 [7.5]
	Power	3.4	3.3	3.3	3.3	3.4	3.3	3.4	3.3	3.3	3.3	3.4	3.3	3.3
125°F [51.7°C]	Total BTUH [KW]	31.8 [9.3]	30.3 [8.9]	30.3 [8.9]	27.3 [8.0]	26.5 [7.8]	25.2 [7.4]	25.8 [7.6]	24.6 [7.2]	24.6 [7.2]	24.6 [7.2]	25.6 [7.5]	24.4 [7.1]	24.3 [7.1]
	Sens BTUH [KW]	20.1 [5.9]	17.8 [5.2]	17.8 [5.2]	22.4 [6.6]	26.5 [7.8]	25.2 [7.4]	25.8 [7.6]	24.6 [7.2]	24.6 [7.2]	24.6 [7.2]	25.6 [7.5]	24.4 [7.1]	24.3 [7.1]
	Power	3.6	3.5	3.5	3.5	3.6	3.5	3.6	3.5	3.5	3.5	3.6	3.5	3.5

DR — Depression ratio
 dbE — Entering air dry bulb
 wB/E — Entering air wet bulb

NOTES: ① When the entering air dry bulb is other than 80°F [27°C], adjust the sensible capacity from the table by adding [1.10 x CFM x (1 - DR) x (dbE - 80)].

① J Designates Metric Conversions



COOLING PERFORMANCE DATA – RGE CZT048A

wB/E		ENTERING INDOOR AIR @ 80°F [26.7°C] dbE ①																	
		71°F [21.7°C]			67°F [19.4°C]			63°F [17.2°C]			61°F [16.1°C]			59°F [15.0°C]					
CFM [L/s]	DR [L]	1800	[850]	1420	[670]	1400	[661]	1800	[850]	1420	[670]	1400	[661]	1800	[850]	1420	[670]	1400	[661]
75°F [23.9°C]	Total BTUH [kW]	63.4 [18.6]	60.4 [17.7]	56.5 [16.6]	54.1 [15.8]	53.9 [15.8]	53.2 [15.6]	56.0 [16.4]	51.8 [15.2]	54.0 [15.8]	51.5 [15.1]	51.4 [15.1]	53.7 [15.7]	55.6 [16.3]	53.0 [15.5]	53.0 [15.5]	47.9 [14.1]	47.6 [14.0]	52.9 [15.5]
	Sens BTUH [kW]	36.6 [10.7]	32.5 [9.5]	38.3 [11.2]	43.8 [12.8]	43.5 [12.7]	43.5 [12.7]	49.2 [14.4]	51.8 [15.2]	43.8 [12.8]	42.8 [12.5]	42.5 [12.5]	45.8 [13.4]	53.9 [15.8]	47.9 [14.1]	47.9 [14.1]	47.9 [14.1]	47.6 [14.0]	52.9 [15.5]
	Power	2.7	2.7	2.6	2.6	2.6	2.6	2.7	2.7	2.6	2.6	2.6	2.6	2.7	2.6	2.6	2.6	2.6	2.6
80°F [26.7°C]	Total BTUH [kW]	61.4 [18.0]	58.6 [17.2]	54.7 [16.0]	52.2 [15.3]	52.1 [15.3]	52.1 [15.3]	54.7 [16.0]	50.8 [14.9]	52.1 [15.3]	51.5 [15.1]	51.4 [15.1]	53.7 [15.7]	55.6 [16.3]	53.0 [15.5]	53.0 [15.5]	47.9 [14.1]	47.6 [14.0]	52.9 [15.5]
	Sens BTUH [kW]	35.5 [10.4]	31.6 [9.2]	37.3 [10.9]	42.8 [12.5]	42.5 [12.5]	42.5 [12.5]	48.1 [14.1]	50.8 [14.9]	42.8 [12.5]	42.8 [12.5]	42.5 [12.5]	45.8 [13.4]	53.9 [15.8]	47.9 [14.1]	47.9 [14.1]	47.9 [14.1]	47.6 [14.0]	52.9 [15.5]
	Power	2.9	2.8	2.8	2.8	2.8	2.8	2.8	2.8	2.8	2.8	2.8	2.8	2.8	2.7	2.7	2.7	2.7	2.7
85°F [29.4°C]	Total BTUH [kW]	59.5 [17.4]	56.8 [16.6]	52.9 [15.5]	50.4 [14.8]	50.3 [14.7]	50.3 [14.7]	52.8 [15.5]	49.7 [14.6]	50.4 [14.8]	49.7 [14.6]	49.6 [14.6]	51.8 [15.2]	53.7 [15.7]	51.8 [15.2]	51.8 [15.2]	46.0 [13.5]	45.7 [13.4]	49.4 [14.5]
	Sens BTUH [kW]	34.4 [10.1]	30.6 [9.0]	36.3 [10.6]	41.8 [12.3]	41.5 [12.2]	41.5 [12.2]	47.0 [13.8]	49.7 [14.6]	41.8 [12.3]	41.5 [12.2]	41.5 [12.2]	43.9 [12.9]	51.8 [15.2]	46.0 [13.5]	46.0 [13.5]	46.0 [13.5]	45.7 [13.4]	49.4 [14.5]
	Power	3.0	3.0	2.9	2.9	2.9	2.9	3.0	3.0	2.9	2.9	2.9	2.9	3.0	2.9	2.9	2.9	2.9	2.9
90°F [32.2°C]	Total BTUH [kW]	57.7 [16.9]	55.0 [16.1]	51.1 [15.0]	48.6 [14.2]	48.5 [14.2]	48.5 [14.2]	51.0 [14.9]	48.5 [14.2]	48.6 [14.2]	48.5 [14.2]	48.4 [14.2]	47.8 [14.0]	49.9 [14.6]	47.8 [14.0]	47.8 [14.0]	45.0 [13.2]	44.7 [13.1]	47.5 [13.9]
	Sens BTUH [kW]	33.3 [9.7]	29.6 [8.7]	35.3 [10.4]	40.8 [12.0]	40.5 [11.9]	40.5 [11.9]	45.9 [13.5]	48.5 [14.2]	40.8 [12.0]	40.5 [11.9]	40.5 [11.9]	42.9 [12.6]	49.9 [14.6]	45.0 [13.2]	45.0 [13.2]	45.0 [13.2]	44.7 [13.1]	47.5 [13.9]
	Power	3.2	3.1	3.1	3.1	3.1	3.1	3.2	3.2	3.1	3.1	3.1	3.1	3.1	3.1	3.1	3.1	3.1	3.1
95°F [35°C]	Total BTUH [kW]	55.8 [16.4]	53.2 [15.6]	49.3 [14.5]	46.9 [13.7]	46.7 [13.7]	46.7 [13.7]	49.1 [14.4]	46.7 [13.7]	46.9 [13.7]	46.7 [13.7]	46.6 [13.7]	46.0 [13.5]	48.1 [14.1]	46.0 [13.5]	46.0 [13.5]	44.1 [12.9]	43.7 [12.8]	45.7 [13.4]
	Sens BTUH [kW]	32.1 [9.4]	28.6 [8.4]	34.3 [10.1]	39.8 [11.7]	39.5 [11.6]	39.5 [11.6]	44.8 [13.1]	47.4 [13.9]	39.8 [11.7]	39.5 [11.6]	39.5 [11.6]	41.9 [12.3]	48.1 [14.1]	44.0 [12.9]	44.0 [12.9]	44.0 [12.9]	43.7 [12.8]	45.7 [13.4]
	Power	3.4	3.3	3.3	3.3	3.3	3.3	3.4	3.4	3.3	3.3	3.3	3.3	3.3	3.3	3.3	3.3	3.3	3.3
100°F [37.8°C]	Total BTUH [kW]	54 [15.8]	51.5 [15.1]	47.6 [13.9]	45.1 [13.2]	45.0 [13.2]	45.0 [13.2]	47.3 [13.9]	45.0 [13.2]	45.1 [13.2]	45.0 [13.2]	44.9 [13.2]	44.3 [13.0]	46.3 [13.6]	44.1 [12.9]	44.1 [12.9]	43.0 [12.6]	42.7 [12.5]	44.0 [12.9]
	Sens BTUH [kW]	31.0 [9.1]	27.5 [8.1]	33.3 [9.8]	38.8 [11.4]	38.5 [11.3]	38.5 [11.3]	43.6 [12.8]	46.2 [13.5]	38.8 [11.4]	38.5 [11.3]	38.5 [11.3]	40.8 [12.0]	46.3 [13.6]	43.0 [12.6]	43.0 [12.6]	43.0 [12.6]	42.7 [12.5]	44.0 [12.9]
	Power	3.6	3.5	3.5	3.5	3.5	3.5	3.6	3.6	3.5	3.5	3.5	3.5	3.5	3.5	3.5	3.5	3.5	3.5
105°F [40.6°C]	Total BTUH [kW]	52.3 [15.3]	49.8 [14.6]	45.9 [13.5]	43.5 [12.7]	43.3 [12.7]	43.3 [12.7]	45.6 [13.4]	43.3 [12.7]	43.5 [12.7]	43.3 [12.7]	43.2 [12.7]	42.6 [12.5]	44.5 [13.0]	42.4 [12.4]	42.4 [12.4]	41.9 [12.3]	41.6 [12.2]	42.3 [12.5]
	Sens BTUH [kW]	29.8 [8.7]	26.5 [7.8]	32.2 [9.4]	37.7 [11.1]	37.5 [11.0]	37.5 [11.0]	42.4 [12.4]	44.8 [13.1]	37.7 [11.1]	37.5 [11.0]	37.5 [11.0]	39.8 [11.7]	44.5 [13.0]	41.9 [12.3]	41.9 [12.3]	41.9 [12.3]	41.6 [12.2]	42.3 [12.5]
	Power	3.9	3.8	3.8	3.7	3.7	3.7	3.8	3.8	3.7	3.7	3.7	3.7	3.8	3.7	3.7	3.7	3.7	3.7
110°F [43.3°C]	Total BTUH [kW]	50.5 [14.8]	48.2 [14.1]	44.3 [13.0]	41.8 [12.2]	41.7 [12.2]	41.7 [12.2]	43.8 [12.8]	41.7 [12.2]	41.8 [12.2]	41.7 [12.2]	41.6 [12.2]	41.0 [12.0]	42.8 [12.5]	40.8 [11.9]	40.8 [11.9]	40.8 [11.9]	40.6 [11.9]	40.7 [11.9]
	Sens BTUH [kW]	28.6 [8.4]	25.4 [7.4]	31.2 [9.1]	36.6 [10.7]	36.4 [10.7]	36.4 [10.7]	41.2 [12.1]	43.1 [12.6]	36.6 [10.7]	36.4 [10.7]	36.4 [10.7]	38.7 [11.3]	42.8 [12.5]	40.8 [11.9]	40.8 [11.9]	40.8 [11.9]	40.6 [11.9]	40.7 [11.9]
	Power	4.1	4.0	4.0	4.0	4.0	4.0	4.1	4.1	4.0	4.0	4.0	4.0	4.0	3.9	3.9	3.9	3.9	3.9
115°F [46.1°C]	Total BTUH [kW]	48.8 [14.3]	46.6 [13.6]	42.7 [12.5]	40.2 [11.8]	40.1 [11.7]	40.1 [11.7]	42.1 [12.3]	40.1 [11.7]	40.2 [11.8]	40.1 [11.7]	39.9 [11.6]	39.4 [11.5]	41.1 [12.0]	39.2 [11.5]	39.2 [11.5]	39.2 [11.5]	39.1 [11.4]	39.1 [11.4]
	Sens BTUH [kW]	27.4 [8.0]	24.3 [7.1]	30.1 [8.8]	35.6 [10.4]	35.3 [10.4]	35.3 [10.4]	40.0 [11.7]	41.4 [12.1]	35.6 [10.4]	35.3 [10.4]	35.3 [10.4]	37.6 [11.0]	41.1 [12.0]	39.2 [11.5]	39.2 [11.5]	39.2 [11.5]	39.1 [11.4]	39.1 [11.4]
	Power	4.4	4.3	4.3	4.2	4.2	4.2	4.3	4.3	4.2	4.2	4.2	4.2	4.3	4.2	4.2	4.2	4.2	4.2
120°F [48.9°C]	Total BTUH [kW]	47.2 [13.8]	45.0 [13.2]	41.1 [12.0]	38.6 [11.3]	38.5 [11.3]	38.5 [11.3]	40.5 [11.9]	38.6 [11.7]	38.6 [11.3]	38.5 [11.3]	38.4 [11.3]	37.8 [11.1]	39.4 [11.5]	37.6 [11.0]	37.6 [11.0]	37.6 [11.0]	37.5 [11.0]	37.5 [11.0]
	Sens BTUH [kW]	26.1 [7.7]	23.2 [6.8]	29 [8.5]	34.5 [10.1]	34.2 [10.0]	34.2 [10.0]	38.8 [11.4]	39.8 [11.7]	34.5 [10.1]	34.2 [10.0]	34.2 [10.0]	36.5 [10.7]	39.4 [11.5]	37.6 [11.0]	37.6 [11.0]	37.6 [11.0]	37.5 [11.0]	37.5 [11.0]
	Power	4.7	4.6	4.5	4.5	4.5	4.5	4.6	4.6	4.5	4.5	4.5	4.5	4.6	4.5	4.5	4.5	4.5	4.5
125°F [51.7°C]	Total BTUH [kW]	45.6 [13.3]	43.4 [12.7]	39.5 [11.6]	37.1 [10.9]	37.0 [10.8]	37.0 [10.8]	38.9 [11.4]	38.1 [11.2]	37.1 [10.9]	37.0 [10.8]	36.9 [10.8]	36.3 [10.6]	37.8 [11.1]	36.0 [10.6]	36.0 [10.6]	36.0 [10.6]	35.9 [10.5]	35.9 [10.5]
	Sens BTUH [kW]	24.9 [7.3]	22.1 [6.5]	27.9 [8.2]	33.3 [9.8]	33.1 [9.7]	33.1 [9.7]	37.5 [11.0]	38.1 [11.2]	33.3 [9.8]	33.1 [9.7]	33.1 [9.7]	35.4 [10.4]	37.8 [11.1]	36.0 [10.6]	36.0 [10.6]	36.0 [10.6]	35.9 [10.5]	35.9 [10.5]
	Power	5.0	4.9	4.8	4.8	4.8	4.8	4.9	4.9	4.8	4.8	4.8	4.8	4.9	4.8	4.8	4.8	4.8	4.8

DR —Depression ratio
dbE —Entering air dry bulb
wB/E—Entering air wetbulb

Total —Total capacity x 1000 BTUH
Sens —Sensible capacity x 1000 BTUH
Power—KW input

NOTES: ① When the entering air dry bulb is other than 80°F [27°C], adjust the sensible capacity from the table by adding [1.10 x CFM x (1 – DR) x (dbE – 80)].

[] Designates Metric Conversions

COOLING PERFORMANCE DATA – RGE CZT060A

wB/E CFM [L/s]		ENTERING INDOOR AIR @ 80°F [26.7°C] dbE ①											
		71°F [21.7°C]		67°F [19.4°C]		63°F [17.2°C]		61°F [16.1°C]		59°F [15.0°C]			
DR ①		1780 [840]	1615 [762]	1370 [647]	1780 [840]	1615 [762]	1370 [647]	1780 [840]	1615 [762]	1370 [647]	1780 [840]	1615 [762]	1370 [647]
75°F [23.9°C]	Total BTUH [kW]	73.8 [21.6]	72.4 [21.2]	70.4 [20.6]	69.0 [20.2]	67.7 [19.8]	65.9 [19.3]	65.3 [19.1]	64.1 [18.8]	62.9 [18.4]	61.1 [17.9]	63.3 [18.6]	62.2 [18.2]
	Sens BTUH [kW]	43.1 [12.6]	41.2 [12.1]	38.3 [11.2]	49.8 [14.6]	47.6 [13.9]	44.2 [12.9]	57.9 [17.0]	55.2 [16.2]	51.3 [15.0]	55.4 [16.2]	63.3 [18.6]	62.2 [18.2]
	Power	3.3	3.2	3.2	3.2	3.2	3.2	3.2	3.2	3.2	3.1	3.2	3.2
80°F [26.7°C]	Total BTUH [kW]	71.9 [21.1]	70.6 [20.7]	68.6 [20.1]	67.1 [19.7]	65.9 [19.3]	64.0 [18.8]	63.4 [18.6]	62.2 [18.2]	61.0 [17.9]	59.3 [17.4]	61.4 [18.0]	60.3 [17.7]
	Sens BTUH [kW]	41.3 [12.1]	39.5 [11.6]	36.7 [10.7]	48.0 [14.1]	45.8 [13.4]	42.6 [12.5]	56.1 [16.4]	53.5 [15.7]	49.7 [14.6]	53.8 [15.8]	61.4 [18.0]	58.9 [17.1]
	Power	3.5	3.4	3.4	3.4	3.4	3.4	3.4	3.4	3.4	3.3	3.4	3.3
85°F [29.4°C]	Total BTUH [kW]	69.8 [20.5]	68.5 [20.1]	66.6 [19.5]	65.0 [19.1]	63.8 [18.7]	62.1 [18.2]	61.3 [18.0]	60.2 [17.6]	59.0 [17.3]	57.4 [16.8]	59.3 [17.4]	58.3 [17.1]
	Sens BTUH [kW]	39.7 [11.6]	37.9 [11.1]	35.2 [10.3]	46.4 [13.6]	44.3 [13.0]	41.2 [12.1]	54.5 [16.0]	52.0 [15.2]	48.3 [14.2]	52.4 [15.4]	59.3 [17.4]	56.6 [16.6]
	Power	3.7	3.6	3.6	3.6	3.6	3.6	3.6	3.6	3.6	3.5	3.6	3.5
90°F [32.2°C]	Total BTUH [kW]	67.6 [19.8]	66.4 [19.4]	64.5 [18.9]	62.8 [18.4]	61.7 [18.1]	60.0 [17.6]	59.1 [17.3]	58.0 [17.0]	56.8 [16.6]	55.2 [16.2]	57.1 [16.7]	56.1 [16.4]
	Sens BTUH [kW]	38.3 [11.2]	36.6 [10.7]	34.0 [10.0]	45.0 [13.2]	43.0 [12.6]	39.9 [11.7]	53.1 [15.5]	50.6 [14.8]	47.1 [13.8]	51.2 [15.0]	57.1 [16.7]	54.5 [16.0]
	Power	3.9	3.9	3.8	3.9	3.8	3.8	3.8	3.8	3.8	3.7	3.8	3.7
95°F [35°C]	Total BTUH [kW]	65.2 [19.1]	64.0 [18.8]	62.3 [18.2]	60.4 [17.7]	59.3 [17.4]	57.7 [16.9]	56.7 [16.6]	55.7 [16.3]	54.5 [16.0]	53.0 [15.5]	54.8 [16.0]	53.8 [15.8]
	Sens BTUH [kW]	37.1 [10.9]	35.4 [10.4]	32.9 [9.7]	43.8 [12.8]	41.8 [12.3]	38.9 [11.4]	51.9 [15.2]	49.5 [14.5]	46.0 [13.5]	50.1 [14.7]	54.8 [16.0]	52.3 [15.3]
	Power	4.2	4.1	4.1	4.1	4.1	4.0	4.1	4.1	4.0	4.0	4.1	4.0
100°F [37.8°C]	Total BTUH [kW]	62.7 [18.4]	61.6 [18.0]	59.9 [17.5]	57.9 [17.0]	56.9 [16.7]	55.3 [16.2]	54.2 [15.9]	53.2 [15.6]	52.0 [15.2]	50.6 [14.8]	52.2 [15.3]	51.3 [15.0]
	Sens BTUH [kW]	36.1 [10.6]	34.5 [10.1]	32.1 [9.4]	42.8 [12.6]	40.9 [12.0]	38.0 [11.1]	50.9 [14.9]	48.5 [14.2]	45.1 [13.2]	49.2 [14.4]	52.2 [15.3]	49.9 [14.6]
	Power	4.4	4.4	4.3	4.4	4.3	4.3	4.4	4.3	4.3	4.2	4.3	4.2
105°F [40.6°C]	Total BTUH [kW]	60.0 [17.6]	58.9 [17.3]	57.3 [16.8]	55.2 [16.2]	54.2 [15.9]	52.7 [15.5]	51.6 [15.1]	50.6 [14.8]	49.2 [14.4]	48.0 [14.1]	49.6 [14.5]	48.7 [14.3]
	Sens BTUH [kW]	35.3 [10.4]	33.7 [9.9]	31.4 [9.2]	42.0 [12.3]	40.1 [11.8]	37.3 [10.9]	50.1 [14.7]	47.8 [14.0]	44.4 [13.0]	48.0 [14.1]	49.6 [14.5]	47.3 [13.9]
	Power	4.7	4.7	4.6	4.7	4.6	4.6	4.6	4.6	4.5	4.5	4.6	4.5
110°F [43.3°C]	Total BTUH [kW]	57.2 [16.8]	56.2 [16.5]	54.6 [16.0]	52.4 [15.4]	51.5 [15.1]	50.0 [14.7]	48.7 [14.3]	47.5 [13.9]	46.6 [13.7]	45.3 [13.3]	46.7 [13.7]	45.9 [13.4]
	Sens BTUH [kW]	34.8 [10.2]	33.2 [9.7]	30.8 [9.0]	41.4 [12.1]	39.6 [11.6]	36.8 [10.8]	48.7 [14.3]	47.2 [13.8]	43.9 [12.9]	45.3 [13.3]	46.7 [13.7]	44.6 [13.1]
	Power	5.0	5.0	4.9	5.0	4.9	4.9	5.0	4.9	4.9	4.8	4.9	4.8
115°F [46.1°C]	Total BTUH [kW]	54.2 [15.9]	53.2 [15.6]	51.8 [15.2]	49.4 [14.5]	48.5 [14.2]	47.2 [13.8]	45.8 [13.4]	44.5 [13.0]	43.7 [12.8]	42.5 [12.5]	43.8 [12.8]	43 [12.6]
	Sens BTUH [kW]	34.4 [10.1]	32.8 [9.6]	30.5 [8.9]	41.1 [12.0]	39.2 [11.5]	36.4 [10.7]	48.8 [13.4]	44.9 [13.2]	43.5 [12.8]	44.5 [13.0]	43.8 [12.8]	41.8 [12.2]
	Power	5.3	5.3	5.2	5.3	5.3	5.2	5.3	5.3	5.2	5.1	5.2	5.1
120°F [48.9°C]	Total BTUH [kW]	51.1 [15.0]	50.2 [14.7]	48.8 [14.3]	46.3 [13.6]	45.5 [13.3]	44.2 [13.0]	42.6 [12.5]	41.9 [12.3]	40.7 [11.9]	39.5 [11.6]	40.6 [11.9]	39.9 [11.7]
	Sens BTUH [kW]	34.2 [10.0]	32.6 [9.6]	30.3 [8.9]	40.9 [12.0]	39.0 [11.4]	36.3 [10.6]	42.6 [12.5]	41.9 [12.3]	40.7 [11.9]	39.5 [11.6]	40.6 [11.9]	38.8 [11.4]
	Power	5.7	5.6	5.6	5.7	5.6	5.5	5.6	5.6	5.5	5.5	5.6	5.5
125°F [51.7°C]	Total BTUH [kW]	47.8 [14.0]	47.0 [13.8]	45.7 [13.4]	43.0 [12.6]	42.3 [12.4]	41.1 [12.0]	39.4 [11.5]	38.6 [11.3]	37.6 [11.0]	36.4 [10.7]	37.4 [10.9]	36.7 [10.7]
	Sens BTUH [kW]	34.2 [10.0]	32.6 [9.6]	30.3 [8.9]	40.9 [12.0]	39.0 [11.4]	36.3 [10.6]	39.4 [11.5]	38.6 [11.3]	37.6 [11.0]	36.4 [10.7]	37.4 [10.9]	35.7 [10.5]
	Power	6.1	6.0	5.9	6.0	6.0	5.9	6.0	6.0	5.9	5.8	6.0	5.9

DR — Depression ratio
 dbE — Entering air dry bulb
 wB/E — Entering air wet bulb

NOTES: ① When the entering air dry bulb is other than 80°F [27°C], adjust the sensible capacity from the table by adding [·10 x CFM x (1 - DR) x (dbE - 80)].

— Total capacity x 1000 BTUH
 Sens — Sensible capacity x 1000 BTUH
 Power — KW input

[J Designates Metric Conversions

COOLING PERFORMANCE DATA – RGE CZT072A

wB E		ENTERING INDOOR AIR @ 80°F [26.7°C] dbE ①											
		71°F [21.7°C]		67°F [19.4°C]		63°F [17.2°C]		61°F [16.1°C]		59°F [15.0°C]			
CFM [L/s]	DR [L/s]	2700 [1274]	2395 [1130]	2100 [991]	2700 [1274]	2395 [1130]	2100 [991]	2700 [1274]	2395 [1130]	2100 [991]	2700 [1274]	2395 [1130]	2100 [991]
75°F [23.9°C]	Total BTUH [kW]	85.5 [25.0]	83.5 [24.5]	81.7 [23.9]	76.5 [22.4]	73.5 [21.5]	71.8 [21.1]	73.0 [21.4]	71.3 [20.9]	69.7 [20.4]	70.9 [20.8]	69.3 [20.3]	67.7 [19.8]
	Sens BTUH [kW]	51.4 [15.1]	48.5 [14.2]	45.8 [13.4]	60.1 [17.6]	64.4 [18.9]	60.7 [17.8]	72.2 [21.1]	68.1 [20.0]	64.2 [18.8]	70.9 [20.8]	69.3 [20.3]	67.6 [19.8]
	Power	4.2	4.2	4.1	4.2	4.1	4.1	4.1	4.1	4.1	4.1	4.1	4.0
80°F [26.7°C]	Total BTUH [kW]	83.9 [24.6]	82.0 [24.0]	80.2 [23.5]	76.7 [22.5]	72.0 [21.1]	70.4 [20.6]	71.4 [20.9]	69.8 [20.5]	68.2 [20.0]	69.3 [20.3]	67.7 [19.9]	66.2 [19.4]
	Sens BTUH [kW]	50.7 [14.9]	47.9 [14.0]	45.1 [13.2]	59.4 [17.4]	63.8 [18.7]	60.1 [17.6]	71.4 [20.9]	67.5 [19.8]	63.6 [18.6]	69.3 [20.3]	67.7 [19.9]	66.2 [19.4]
	Power	4.5	4.4	4.4	4.4	4.3	4.3	4.4	4.4	4.3	4.4	4.3	4.3
85°F [29.4°C]	Total BTUH [kW]	82.2 [24.1]	80.3 [23.5]	78.5 [23.0]	75.0 [22.0]	70.2 [20.6]	68.7 [20.1]	69.6 [20.4]	68.1 [19.9]	66.5 [19.5]	67.6 [19.8]	66.0 [19.3]	64.6 [18.9]
	Sens BTUH [kW]	49.9 [14.6]	47.1 [13.8]	44.4 [13.0]	58.5 [17.2]	63.0 [18.5]	59.3 [17.4]	69.6 [20.4]	66.7 [19.5]	62.8 [18.4]	67.6 [19.8]	66.0 [19.3]	64.6 [18.9]
	Power	4.7	4.7	4.6	4.7	4.6	4.6	4.6	4.6	4.6	4.6	4.6	4.5
90°F [32.2°C]	Total BTUH [kW]	80.2 [23.5]	78.4 [23.0]	76.6 [22.5]	74.8 [21.9]	68.3 [20.0]	66.8 [19.6]	67.7 [19.8]	66.2 [19.4]	64.7 [19.0]	65.6 [19.2]	64.1 [18.8]	62.7 [18.4]
	Sens BTUH [kW]	48.9 [14.3]	46.1 [13.5]	43.5 [12.7]	57.5 [16.9]	62.0 [18.2]	58.4 [17.1]	67.7 [19.8]	65.7 [19.3]	61.9 [18.1]	65.6 [19.2]	64.1 [18.8]	62.7 [18.4]
	Power	5.0	4.9	4.9	5.0	4.9	4.8	4.9	4.9	4.8	4.9	4.9	4.8
95°F [35°C]	Total BTUH [kW]	78.0 [22.9]	76.3 [22.4]	74.6 [21.9]	72.6 [21.3]	67.1 [19.7]	65.4 [19.2]	65.5 [19.2]	64.0 [18.8]	62.6 [18.3]	63.4 [18.6]	62.0 [18.2]	60.6 [17.8]
	Sens BTUH [kW]	47.7 [14.0]	45.0 [13.2]	42.4 [12.4]	56.3 [16.5]	60.9 [17.8]	57.4 [16.8]	65.5 [19.2]	64.0 [18.8]	60.9 [17.8]	63.4 [18.6]	62.0 [18.2]	60.6 [17.8]
	Power	5.3	5.2	5.2	5.3	5.2	5.1	5.2	5.2	5.1	5.2	5.1	5.1
100°F [37.8°C]	Total BTUH [kW]	75.7 [22.2]	74.0 [21.7]	72.3 [21.2]	70.3 [20.6]	66.7 [19.8]	65.4 [19.2]	63.2 [18.5]	61.7 [18.1]	60.4 [17.7]	61.1 [17.9]	59.7 [17.5]	58.4 [17.1]
	Sens BTUH [kW]	46.4 [13.6]	43.8 [12.8]	41.3 [12.1]	55.0 [16.1]	59.6 [17.5]	56.2 [16.5]	63.2 [18.5]	61.7 [18.1]	59.7 [17.5]	61.1 [17.9]	59.7 [17.5]	58.4 [17.1]
	Power	5.6	5.5	5.5	5.6	5.5	5.4	5.5	5.5	5.4	5.5	5.5	5.4
105°F [40.6°C]	Total BTUH [kW]	73.1 [21.4]	71.5 [20.9]	69.9 [20.5]	67.7 [19.8]	64.7 [19.0]	63.2 [18.5]	60.6 [17.8]	59.2 [17.4]	57.9 [17.0]	58.5 [17.1]	57.2 [16.8]	55.9 [16.4]
	Sens BTUH [kW]	44.9 [13.1]	42.4 [12.4]	39.9 [11.7]	53.5 [15.7]	58.2 [17.1]	54.9 [16.1]	60.6 [17.8]	59.2 [17.4]	57.9 [17.0]	58.5 [17.1]	57.2 [16.8]	55.9 [16.4]
	Power	5.9	5.9	5.8	5.9	5.8	5.7	5.9	5.8	5.7	5.8	5.8	5.7
110°F [43.3°C]	Total BTUH [kW]	70.3 [20.6]	68.8 [20.1]	67.2 [19.7]	64.9 [19.0]	62.0 [18.2]	60.1 [17.6]	57.8 [16.9]	56.5 [16.6]	55.2 [16.2]	55.7 [16.3]	54.5 [16.0]	53.3 [15.6]
	Sens BTUH [kW]	43.2 [12.7]	40.8 [12.0]	38.4 [11.3]	51.8 [15.2]	56.7 [16.6]	53.4 [15.6]	57.8 [16.9]	56.5 [16.6]	55.2 [16.2]	55.7 [16.3]	54.5 [16.0]	53.3 [15.6]
	Power	6.3	6.2	6.1	6.2	6.1	6.1	6.2	6.2	6.1	6.2	6.1	6.1
115°F [46.1°C]	Total BTUH [kW]	67.4 [19.7]	65.8 [19.3]	64.4 [18.9]	61.9 [18.2]	59.2 [17.3]	57.1 [16.7]	54.8 [16.1]	53.6 [15.7]	52.4 [15.4]	52.8 [15.5]	51.6 [15.1]	50.4 [14.8]
	Sens BTUH [kW]	41.4 [12.1]	39.1 [11.4]	36.8 [10.8]	50.0 [14.7]	54.9 [16.1]	51.8 [15.2]	54.8 [16.1]	53.6 [15.7]	52.4 [15.4]	52.8 [15.5]	51.6 [15.1]	50.4 [14.8]
	Power	6.6	6.6	6.5	6.6	6.5	6.4	6.6	6.5	6.4	6.6	6.5	6.4
120°F [48.9°C]	Total BTUH [kW]	64.2 [18.8]	62.7 [18.4]	61.3 [18.0]	58.8 [17.2]	56.2 [16.5]	54.5 [16.0]	51.7 [15.1]	50.5 [14.8]	49.4 [14.5]	49.6 [14.5]	48.5 [14.2]	47.4 [13.9]
	Sens BTUH [kW]	39.4 [11.5]	37.2 [10.9]	35.1 [10.3]	48.0 [14.1]	52.7 [15.4]	50.0 [14.7]	51.7 [15.1]	50.5 [14.8]	49.4 [14.5]	49.6 [14.5]	48.5 [14.2]	47.4 [13.9]
	Power	7.0	6.9	6.9	7.0	6.8	6.8	7.0	6.9	6.8	6.9	6.9	6.8
125°F [51.7°C]	Total BTUH [kW]	60.8 [17.8]	59.4 [17.4]	58.1 [17.0]	55.4 [16.2]	52.9 [15.5]	50.5 [14.8]	48.3 [14.2]	47.2 [13.8]	46.1 [13.5]	46.2 [13.5]	45.2 [13.2]	44.1 [12.9]
	Sens BTUH [kW]	37.3 [10.9]	35.2 [10.3]	33.2 [9.7]	45.9 [13.5]	50.5 [14.8]	48.1 [14.1]	48.3 [14.2]	47.2 [13.8]	46.1 [13.5]	46.2 [13.5]	45.2 [13.2]	44.1 [12.9]
	Power	7.4	7.3	7.3	7.4	7.2	7.2	7.4	7.3	7.2	7.3	7.3	7.2

DR —Depression ratio
dbE —Entering air dry bulb
wB E—Entering air wetbulb

Total —Total capacity x 1000 BTUH
Sens —Sensible capacity x 1000 BTUH
Power—KW input

NOTES: ① When the entering air dry bulb is other than 80°F [27°C], adjust the sensible capacity from the table by adding [1.10 x CFM x (1 – DR) x (dbE – 80)].

[] Designates Metric Conversions



GROSS SYSTEMS PERFORMANCE DATA (HIGH REHEAT MODE) – RGECZR036

ENTERING INDOOR AIR @ 75°F [23.9°C] dbE ①											
wbE		65.3°F [18.5°C]			64°F [17.8°C]			62.5°F [16.9°C]			
CFM [L/s]		1350 [637]	1200 [566]	1050 [496]	1350 [637]	1200 [566]	1050 [496]	1350 [637]	1200 [566]	1050 [496]	
O U T D O O R D R Y B U L B T E M P E R A T U R E ° F [° C]	60°F [15.6°C]	Total BTUH [kW]	20.5 [6.0]	20.0 [5.9]	19.6 [5.7]	20.1 [5.9]	19.6 [5.7]	19.2 [5.6]	18.9 [5.5]	18.4 [5.4]	18.0 [5.3]
		Sens BTUH [kW]	4.8 [1.4]	4.6 [1.3]	4.3 [1.3]	7.5 [2.2]	7.1 [2.1]	6.6 [1.9]	10.7 [3.1]	10.1 [3.0]	9.5 [2.8]
		Power	2.0	2.0	1.9	2.0	2.0	1.9	2.0	2.0	1.9
	70°F [21.1°C]	Total BTUH [kW]	19.6 [5.7]	19.1 [5.6]	18.7 [5.5]	19.1 [5.6]	18.7 [5.5]	18.3 [5.4]	17.9 [5.3]	17.5 [5.1]	17.1 [5.0]
		Sens BTUH [kW]	4.0 [1.2]	3.8 [1.1]	3.5 [1.0]	6.6 [1.9]	6.2 [1.8]	5.9 [1.7]	9.8 [2.9]	9.3 [2.7]	8.7 [2.6]
		Power	2.0	2.0	2.0	2.0	2.0	2.0	2.0	2.0	2.0
	80°F [26.7°C]	Total BTUH [kW]	18.3 [5.4]	17.9 [5.2]	17.5 [5.1]	17.9 [5.2]	17.5 [5.1]	17.1 [5.0]	16.7 [4.9]	16.3 [4.8]	16.0 [4.7]
Sens BTUH [kW]		2.9 [0.8]	2.7 [0.8]	2.6 [0.7]	5.5 [1.6]	5.2 [1.5]	4.9 [1.4]	8.7 [2.5]	8.2 [2.4]	7.7 [2.3]	
Power		2.1	2.1	2.1	2.1	2.1	2.0	2.1	2.1	2.1	
90°F [32.2°C]	Total BTUH [kW]	16.8 [4.9]	16.4 [4.8]	16.0 [4.7]	16.3 [4.8]	16.0 [4.7]	15.6 [4.6]	15.1 [4.4]	14.8 [4.3]	14.5 [4.2]	
	Sens BTUH [kW]	1.5 [0.4]	1.4 [0.4]	1.3 [0.4]	4.1 [1.2]	3.9 [1.1]	3.7 [1.1]	7.3 [2.1]	6.9 [2.0]	6.5 [1.9]	
	Power	2.3	2.2	2.2	2.2	2.2	2.2	2.3	2.2	2.2	
100°F [37.8°C]	Total BTUH [kW]	14.9 [4.4]	14.6 [4.3]	14.2 [4.2]	14.5 [4.2]	14.2 [4.1]	13.8 [4.1]	13.3 [3.9]	13.0 [3.8]	12.7 [3.7]	
	Sens BTUH [kW]	-0.1 [0.0]	-0.1 [0.0]	-0.1 [0.0]	2.5 [0.7]	2.4 [0.7]	2.3 [0.7]	5.7 [1.7]	5.4 [1.6]	5.1 [1.5]	
	Power	2.5	2.5	2.4	2.5	2.4	2.4	2.5	2.4	2.4	
110°F [43.3°C]	Total BTUH [kW]	12.7 [3.7]	12.4 [3.6]	12.2 [3.6]	12.3 [3.6]	12.0 [3.5]	11.8 [3.4]	11.1 [3.3]	10.9 [3.2]	10.6 [3.1]	
	Sens BTUH [kW]	-1.9 [-0.6]	-1.8 [-0.5]	-1.7 [-0.5]	0.7 [0.2]	0.6 [0.2]	0.6 [0.2]	3.9 [1.1]	3.7 [1.1]	3.5 [1.0]	
	Power	2.8	2.7	2.7	2.8	2.7	2.7	2.8	2.7	2.7	
120°F [48.9°C]	Total BTUH [kW]	10.2 [3.0]	10.0 [2.9]	9.8 [2.9]	9.8 [2.9]	9.6 [2.8]	9.4 [2.7]	8.6 [2.5]	8.4 [2.5]	8.2 [2.4]	
	Sens BTUH [kW]	-4.0 [-1.2]	-3.8 [-1.1]	-3.6 [-1.0]	-1.4 [-0.4]	-1.3 [-0.4]	-1.3 [-0.4]	1.8 [0.5]	1.7 [0.5]	1.6 [0.5]	
	Power	3.1	3.1	3.0	3.1	3.1	3.0	3.1	3.1	3.0	

DR —Depression ratio
dbE —Entering air dry bulb
wbE—Entering air wet bulb

Total —Total capacity x 1000 BTUH
Sens —Sensible capacity x 1000 BTUH
Power —KW input

NOTES: ① When the entering air dry bulb is other than 75°F [23.9°C], adjust the sensible capacity from the table by adding [1.10 x CFM x (1 – DR) x (dbE – 80)].

[] Designates Metric Conversions



GROSS SYSTEMS PERFORMANCE DATA (HIGH REHEAT MODE) – RGECZR048

ENTERING INDOOR AIR @ 75°F [23.9°C] dbE ①											
wbE		65.3°F [18.5°C]			64°F [17.8°C]			62.5°F [16.9°C]			
CFM [L/s]		1800 [850]	1600 [755]	1400 [661]	1800 [850]	1800 [850]	1400 [661]	1800 [850]	1600 [755]	1400 [661]	
O U T D O O R D R Y B U L B T E M P E R A T U R E ° F [° C]	60°F [15.6°C]	Total BTUH [kW]	29.2 [8.5]	28.5 [8.4]	27.9 [8.2]	30.1 [8.8]	30.1 [8.8]	28.8 [8.4]	29.3 [8.6]	28.7 [8.4]	28.0 [8.2]
		Sens BTUH [kW]	9.4 [2.8]	8.9 [2.6]	8.4 [2.5]	12.9 [3.8]	12.9 [3.8]	11.5 [3.4]	15.2 [4.4]	14.3 [4.2]	13.5 [4.0]
		Power	2.4	2.4	2.3	2.4	2.4	2.3	2.4	2.3	2.3
	70°F [21.1°C]	Total BTUH [kW]	27.8 [8.1]	27.2 [8.0]	26.5 [7.8]	28.8 [8.4]	28.8 [8.4]	27.5 [8.1]	27.9 [8.2]	27.3 [8.0]	26.7 [7.8]
		Sens BTUH [kW]	7.7 [2.3]	7.3 [2.1]	6.8 [2.0]	11.2 [3.3]	11.2 [3.3]	9.9 [2.9]	13.4 [3.9]	12.7 [3.7]	12.0 [3.5]
		Power	2.5	2.5	2.5	2.5	2.5	2.4	2.5	2.5	2.4
	80°F [26.7°C]	Total BTUH [kW]	25.9 [7.6]	25.3 [7.4]	24.7 [7.2]	26.9 [7.9]	26.9 [7.9]	25.7 [7.5]	26.0 [7.6]	25.5 [7.5]	24.9 [7.3]
		Sens BTUH [kW]	5.7 [1.7]	5.4 [1.6]	5.0 [1.5]	9.2 [2.7]	9.2 [2.7]	8.2 [2.4]	11.4 [3.3]	10.8 [3.2]	10.2 [3.0]
		Power	2.7	2.7	2.6	2.7	2.7	2.6	2.7	2.7	2.6
	90°F [32.2°C]	Total BTUH [kW]	23.5 [6.9]	23.0 [6.7]	22.4 [6.6]	24.5 [7.2]	24.5 [7.2]	23.4 [6.9]	23.7 [6.9]	23.1 [6.8]	22.6 [6.6]
		Sens BTUH [kW]	3.4 [1.0]	3.2 [0.9]	3.0 [0.9]	6.9 [2.0]	6.9 [2.0]	6.1 [1.8]	9.1 [2.7]	8.6 [2.5]	8.1 [2.4]
		Power	3.0	3.0	2.9	3.0	3.0	2.9	3	2.9	2.9
	100°F [37.8°C]	Total BTUH [kW]	20.6 [6.0]	20.1 [5.9]	19.7 [5.8]	21.6 [6.3]	21.6 [6.3]	20.6 [6.0]	20.8 [6.1]	20.3 [5.9]	19.8 [5.8]
		Sens BTUH [kW]	0.8 [0.2]	0.7 [0.2]	0.7 [0.2]	4.3 [1.3]	4.3 [1.3]	3.8 [1.1]	6.5 [1.9]	6.2 [1.8]	5.8 [1.7]
		Power	3.4	3.3	3.3	3.3	3.3	3.3	3.3	3.3	3.3
	110°F [43.3°C]	Total BTUH [kW]	17.2 [5.0]	16.8 [4.9]	16.4 [4.8]	18.2 [5.3]	18.2 [5.3]	17.4 [5.1]	17.4 [5.1]	17.0 [5.0]	16.6 [4.9]
		Sens BTUH [kW]	-2.1 [-0.6]	-2.0 [-0.6]	-1.9 [-0.5]	1.4 [0.4]	1.4 [0.4]	1.2 [0.4]	3.7 [1.1]	3.5 [1.0]	3.3 [1.0]
		Power	3.8	3.8	3.7	3.8	3.8	3.7	3.8	3.7	3.7
	120°F [48.9°C]	Total BTUH [kW]	13.3 [3.9]	13.0 [3.8]	12.7 [3.7]	14.3 [4.2]	14.3 [4.2]	13.7 [4.0]	13.5 [3.9]	13.2 [3.9]	12.9 [3.8]
		Sens BTUH [kW]	-5.3 [-1.5]	-5.0 [-1.5]	-4.7 [-1.4]	-1.8 [-0.5]	-1.8 [-0.5]	-1.6 [-0.5]	0.5 [0.1]	0.5 [0.1]	0.4 [0.1]
		Power	4.4	4.3	4.3	4.3	4.3	4.2	4.3	4.3	4.2

DR —Depression ratio
dbE —Entering air dry bulb
wbE—Entering air wet bulb

Total —Total capacity x 1000 BTUH
Sens —Sensible capacity x 1000 BTUH
Power—KW input

NOTES: ① When the entering air dry bulb is other than 75°F [23.9°C], adjust the sensible capacity from the table by adding [1.10 x CFM x (1 – DR) x (dbE – 80)].

[] Designates Metric Conversions





GROSS SYSTEMS PERFORMANCE DATA (HIGH REHEAT MODE) – RGECZR060

ENTERING INDOOR AIR @ 75°F [23.9°C] dbE ①											
wbE			65.3°F [18.5°C]			64°F [17.8°C]			62.5°F [16.9°C]		
CFM [L/s]			2250 [1062]	2000 [944]	1750 [826]	2250 [1062]	2000 [944]	1750 [826]	2250 [1062]	2000 [944]	1750 [826]
O U T D O O R D R Y B U L B T E M P E R A T U R E ° F [° C]	60°F [15.6°C]	Total BTUH [kW]	36.4 [10.7]	35.6 [10.4]	34.8 [10.2]	35.1 [10.3]	34.4 [10.1]	33.6 [9.8]	34.3 [10.1]	33.6 [9.8]	32.8 [9.6]
		Sens BTUH [kW]	9.9 [2.9]	9.4 [2.7]	8.8 [2.6]	14.0 [4.1]	13.2 [3.9]	12.4 [3.6]	16.6 [4.9]	15.7 [4.6]	14.8 [4.3]
		Power	3.5	3.4	3.4	3.5	3.4	3.4	3.5	3.4	3.4
	70°F [21.1°C]	Total BTUH [kW]	34.4 [10.1]	33.6 [9.8]	32.8 [9.6]	33.1 [9.7]	32.4 [9.5]	31.7 [9.3]	32.3 [9.5]	31.6 [9.3]	30.9 [9.0]
		Sens BTUH [kW]	8.2 [2.4]	7.8 [2.3]	7.3 [2.2]	12.3 [3.6]	11.6 [3.4]	10.9 [3.2]	14.9 [4.4]	14.1 [4.1]	13.3 [3.9]
		Power	3.6	3.5	3.5	3.6	3.5	3.5	3.6	3.5	3.5
	80°F [26.7°C]	Total BTUH [kW]	31.7 [9.3]	31.0 [9.1]	30.3 [8.9]	30.5 [8.9]	29.8 [8.7]	29.2 [8.5]	29.7 [8.7]	29.0 [8.5]	28.4 [8.3]
Sens BTUH [kW]		6.1 [1.8]	5.7 [1.7]	5.4 [1.6]	10.1 [3.0]	9.5 [2.8]	9.0 [2.6]	12.7 [3.7]	12.0 [3.5]	11.3 [3.3]	
Power		3.8	3.7	3.7	3.8	3.7	3.7	3.8	3.7	3.7	
90°F [32.2°C]	Total BTUH [kW]	28.5 [8.4]	27.9 [8.2]	27.3 [8.0]	27.3 [8.0]	26.7 [7.8]	26.1 [7.6]	26.5 [7.8]	25.9 [7.6]	25.3 [7.4]	
	Sens BTUH [kW]	3.4 [1.0]	3.2 [0.9]	3.0 [0.9]	7.4 [2.2]	7.0 [2.0]	6.6 [1.9]	10.0 [2.9]	9.5 [2.8]	8.9 [2.6]	
	Power	4.1	4.0	4.0	4.1	4.0	4.0	4.1	4.0	4.0	
100°F [37.8°C]	Total BTUH [kW]	24.8 [7.3]	24.2 [7.1]	23.7 [6.9]	23.5 [6.9]	23.0 [6.7]	22.5 [6.6]	22.7 [6.7]	22.2 [6.5]	21.7 [6.4]	
	Sens BTUH [kW]	0.1 [0.0]	0.1 [0.0]	0.1 [0.0]	4.2 [1.2]	3.9 [1.2]	3.7 [1.1]	6.8 [2.0]	6.4 [1.9]	6.1 [1.8]	
	Power	4.5	4.4	4.4	4.5	4.4	4.4	4.5	4.4	4.4	
110°F [43.3°C]	Total BTUH [kW]	20.4 [6.0]	19.9 [5.8]	19.5 [5.7]	19.2 [5.6]	18.7 [5.5]	18.3 [5.4]	18.3 [5.4]	17.9 [5.3]	17.5 [5.1]	
	Sens BTUH [kW]	-3.6 [-1.0]	-3.4 [-1.0]	-3.2 [-0.9]	0.4 [0.1]	0.4 [0.1]	0.4 [0.1]	3.1 [0.9]	2.9 [0.9]	2.8 [0.8]	
	Power	5.0	4.9	4.9	5.0	4.9	4.9	5.0	4.9	4.9	
120°F [48.9°C]	Total BTUH [kW]	15.4 [4.5]	15.1 [4.4]	14.8 [4.3]	14.2 [4.2]	13.9 [4.1]	13.6 [4.0]	13.4 [3.9]	13.1 [3.8]	12.8 [3.8]	
	Sens BTUH [kW]	-7.8 [-2.3]	-7.4 [-2.2]	-7.0 [-2.0]	-3.8 [-1.1]	-3.6 [-1.0]	-3.4 [-1.0]	-1.1 [-0.3]	-1.1 [-0.3]	-1.0 [-0.3]	
	Power	5.6	5.5	5.5	5.6	5.5	5.5	5.6	5.6	5.5	

DR —Depression ratio
dbE —Entering air dry bulb
wbE—Entering air wet bulb

Total —Total capacity x 1000 BTUH
Sens —Sensible capacity x 1000 BTUH
Power —KW input

NOTES: ① When the entering air dry bulb is other than 75°F [23.9°C], adjust the sensible capacity from the table by adding [1.10 x CFM x (1 – DR) x (dbE – 80)].

[] Designates Metric Conversions





GROSS SYSTEMS PERFORMANCE DATA (LOW REHEAT MODE) – RGECZT036 REHEAT

ENTERING INDOOR AIR @ 75°F [23.9°C] dbE ①											
wbE			65.3°F [18.5°C]			64°F [17.8°C]			62.5°F [16.9°C]		
CFM [L/s]			1200 [566]	1050 [496]	850 [401]	1200 [566]	1050 [496]	850 [401]	1200 [566]	1050 [496]	850 [401]
O U T D O O R D R Y B U L B T E M P E R A T U R E ° F [° C]	60°F [15.6°C]	Total BTUH [kW]	15.3 [4.5]	14.9 [4.4]	14.4 [4.2]	14.7 [4.3]	14.3 [4.2]	13.8 [4.1]	14.0 [4.1]	13.7 [4.0]	13.2 [3.9]
		Sens BTUH [kW]	5.1 [1.5]	4.8 [1.4]	4.4 [1.3]	6.5 [1.9]	6.1 [1.8]	5.5 [1.6]	8.1 [2.4]	7.6 [2.2]	7.0 [2.0]
		Power	1.1	1.1	1.1	1.1	1.1	1.1	1.1	1.1	1.1
	65°F [18.3°C]	Total BTUH [kW]	15.1 [4.4]	14.7 [4.3]	14.2 [4.2]	14.5 [4.3]	14.2 [4.2]	13.7 [4.0]	13.8 [4.1]	13.5 [4.0]	13.0 [3.8]
		Sens BTUH [kW]	5.3 [1.6]	5.0 [1.5]	4.6 [1.3]	6.7 [2.0]	6.3 [1.8]	5.7 [1.7]	8.4 [2.5]	7.8 [2.3]	7.1 [2.1]
		Power	1.2	1.2	1.1	1.2	1.2	1.1	1.2	1.2	1.1
	70°F [21.1°C]	Total BTUH [kW]	14.6 [4.3]	14.3 [4.2]	13.8 [4.0]	14.1 [4.1]	13.7 [4.0]	13.3 [3.9]	13.4 [3.9]	13.1 [3.8]	12.6 [3.7]
Sens BTUH [kW]		5.1 [1.5]	4.8 [1.4]	4.4 [1.3]	6.5 [1.9]	6.1 [1.8]	5.5 [1.6]	8.2 [2.4]	7.6 [2.2]	7.0 [2.0]	
Power		1.3	1.2	1.2	1.3	1.2	1.2	1.3	1.2	1.2	
75°F [23.9°C]	Total BTUH [kW]	13.9 [4.1]	13.6 [4.0]	13.1 [3.8]	13.3 [3.9]	13.0 [3.8]	12.6 [3.7]	12.7 [3.7]	12.3 [3.6]	11.9 [3.5]	
	Sens BTUH [kW]	4.5 [1.3]	4.2 [1.2]	3.8 [1.1]	5.9 [1.7]	5.5 [1.6]	5.0 [1.5]	7.5 [2.2]	7.1 [2.1]	6.4 [1.9]	
	Power	1.4	1.3	1.3	1.4	1.3	1.3	1.4	1.3	1.3	
80°F [26.7°C]	Total BTUH [kW]	12.9 [3.8]	12.6 [3.7]	12.1 [3.6]	12.3 [3.6]	12.0 [3.5]	11.6 [3.4]	11.6 [3.4]	11.3 [3.3]	10.9 [3.2]	
	Sens BTUH [kW]	3.5 [1.0]	3.3 [1.0]	3.0 [0.9]	4.8 [1.4]	4.5 [1.3]	4.1 [1.2]	6.5 [1.9]	6.1 [1.8]	5.6 [1.6]	
	Power	1.5	1.4	1.4	1.5	1.5	1.4	1.5	1.4	1.4	
85°F [29.4°C]	Total BTUH [kW]	11.6 [3.4]	11.3 [3.3]	10.9 [3.2]	11.0 [3.2]	10.7 [3.1]	10.4 [3.0]	10.3 [3.0]	10.1 [2.9]	9.7 [2.8]	
	Sens BTUH [kW]	2.0 [0.6]	1.9 [0.6]	1.7 [0.5]	3.4 [1]	3.2 [0.9]	2.9 [0.8]	5.1 [1.5]	4.7 [1.4]	4.3 [1.3]	
	Power	1.6	1.6	1.5	1.6	1.6	1.5	1.6	1.6	1.5	
90°F [32.2°C]	Total BTUH [kW]	10.0 [2.9]	9.7 [2.9]	9.4 [2.8]	9.4 [2.8]	9.2 [2.7]	8.9 [2.6]	8.7 [2.6]	8.5 [2.5]	8.2 [2.4]	
	Sens BTUH [kW]	0.1 [0.0]	0.1 [0.0]	0.1 [0.0]	1.5 [0.4]	1.4 [0.4]	1.3 [0.4]	3.2 [0.9]	3.0 [0.9]	2.7 [0.8]	
	Power	1.7	1.7	1.7	1.7	1.7	1.7	1.7	1.7	1.7	

DR —Depression ratio
dbE —Entering air dry bulb
wbE—Entering air wet bulb

Total —Total capacity x 1000 BTUH
Sens —Sensible capacity x 1000 BTUH
Power—KW input

NOTES: ① When the entering air dry bulb is other than 75°F [23.9°C], adjust the sensible capacity from the table by adding [1.10 x CFM x (1 – DR) x (dbE – 80)].

[] Designates Metric Conversions





GROSS SYSTEMS PERFORMANCE DATA (HIGH REHEAT MODE) – RGECZT036 REHEAT

ENTERING INDOOR AIR @ 75°F [23.9°C] dbE ①											
wbE		65.3°F [18.5°C]			64°F [17.8°C]			62.5°F [16.9°C]			
CFM [L/s]		1500 [708]	1260 [595]	1100 [519]	1500 [708]	1260 [595]	1100 [519]	1500 [708]	1260 [595]	1100 [519]	
O U T D O O R D R Y B U L B T E M P E R A T U R E ° F [° C]	60°F [15.6°C]	Total BTUH [kW]	22.1 [6.5]	21.4 [6.3]	20.9 [6.1]	21.5 [6.3]	20.7 [6.1]	20.3 [5.9]	21.3 [6.2]	20.6 [6.0]	20.1 [5.9]
		Sens BTUH [kW]	6.0 [1.8]	5.5 [1.6]	5.2 [1.5]	7.9 [2.3]	7.2 [2.1]	6.8 [2.0]	10.6 [3.1]	9.8 [2.9]	9.2 [2.7]
		Power	1.7	1.7	1.7	1.8	1.8	1.7	1.8	1.8	1.8
	70°F [21.1°C]	Total BTUH [kW]	20.4 [6.0]	19.7 [5.8]	19.3 [5.6]	19.8 [5.8]	19.1 [5.6]	18.7 [5.5]	19.6 [5.7]	18.9 [5.6]	18.5 [5.4]
		Sens BTUH [kW]	4.6 [1.3]	4.2 [1.2]	4.0 [1.2]	6.4 [1.9]	5.9 [1.7]	5.6 [1.6]	9.2 [2.7]	8.4 [2.5]	7.9 [2.3]
		Power	1.8	1.8	1.8	1.9	1.9	1.9	1.9	1.9	1.9
	80°F [26.7°C]	Total BTUH [kW]	18.4 [5.4]	17.8 [5.2]	17.4 [5.1]	17.7 [5.2]	17.1 [5.0]	16.8 [4.9]	17.6 [5.1]	17.0 [5.0]	16.6 [4.9]
Sens BTUH [kW]		2.8 [0.8]	2.6 [0.7]	2.4 [0.7]	4.6 [1.4]	4.2 [1.2]	4.0 [1.2]	7.4 [2.2]	6.8 [2.0]	6.4 [1.9]	
Power		2.0	2.0	2.0	2.1	2.1	2.0	2.1	2.1	2.1	
90°F [32.2°C]	Total BTUH [kW]	16.0 [4.7]	15.4 [4.5]	15.1 [4.4]	15.3 [4.5]	14.8 [4.3]	14.5 [4.2]	15.2 [4.4]	14.6 [4.3]	14.3 [4.2]	
	Sens BTUH [kW]	0.6 [0.2]	0.5 [0.2]	0.5 [0.1]	2.4 [0.7]	2.2 [0.6]	2.1 [0.6]	5.2 [1.5]	4.8 [1.4]	4.5 [1.3]	
	Power	2.2	2.2	2.2	2.3	2.3	2.3	2.3	2.3	2.3	
100°F [37.8°C]	Total BTUH [kW]	13.2 [3.9]	12.8 [3.7]	12.5 [3.7]	12.6 [3.7]	12.1 [3.6]	11.9 [3.5]	12.4 [3.6]	12.0 [3.5]	11.7 [3.4]	
	Sens BTUH [kW]	-2.0 [-0.6]	-1.8 [-0.5]	-1.7 [-0.5]	-0.2 [-0.1]	-0.2 [0.0]	-0.2 [0.0]	2.6 [0.8]	2.4 [0.7]	2.2 [0.7]	
	Power	2.5	2.5	2.4	2.6	2.5	2.5	2.6	2.6	2.5	
110°F [43.3°C]	Total BTUH [kW]	10.1 [3.0]	9.7 [2.9]	9.5 [2.8]	9.4 [2.8]	9.1 [2.7]	8.9 [2.6]	9.3 [2.7]	8.9 [2.6]	8.7 [2.6]	
	Sens BTUH [kW]	-5.0 [-1.5]	-4.6 [-1.3]	-4.3 [-1.3]	-3.1 [-0.9]	-2.9 [-0.8]	-2.7 [-0.8]	-0.4 [-0.1]	-0.4 [-0.1]	-0.3 [-0.1]	
	Power	2.8	2.8	2.7	2.9	2.8	2.8	2.9	2.9	2.8	
120°F [48.9°C]	Total BTUH [kW]	6.6 [1.9]	6.4 [1.9]	6.2 [1.8]	5.9 [1.7]	5.7 [1.7]	5.6 [1.6]	5.8 [1.7]	5.6 [1.6]	5.4 [1.6]	
	Sens BTUH [kW]	-8.3 [-2.4]	-7.7 [-2.2]	-7.2 [-2.1]	-6.5 [-1.9]	-6.0 [-1.8]	-5.6 [-1.6]	-3.8 [-1.1]	-3.4 [-1.0]	-3.2 [-1.0]	
	Power	3.1	3.1	3.1	3.2	3.2	3.1	3.2	3.2	3.2	

DR —Depression ratio
dbE —Entering air dry bulb
wbE—Entering air wet bulb

Total —Total capacity x 1000 BTUH
Sens —Sensible capacity x 1000 BTUH
Power —KW input

NOTES: ① When the entering air dry bulb is other than 75°F [23.9°C], adjust the sensible capacity from the table by adding $[1.10 \times \text{CFM} \times (1 - \text{DR}) \times (\text{dbE} - 80)]$.

[] Designates Metric Conversions



GROSS SYSTEMS PERFORMANCE DATA (LOW REHEAT MODE) – RGECZT048 REHEAT

ENTERING INDOOR AIR @ 75°F [23.9°C] dbE ①											
wbE		65.3°F [18.5°C]			64°F [17.8°C]			62.5°F [16.9°C]			
CFM [L/s]		1200 [566]	1050 [496]	850 [401]	1200 [566]	1050 [496]	850 [401]	1200 [566]	1050 [496]	850 [401]	
O U T D O O R D R Y B U L B T E M P E R A T U R E ° F [° C]	60°F [15.6°C]	Total BTUH [kW]	18.9 [5.6]	18.5 [5.4]	17.8 [5.2]	18.1 [5.3]	17.6 [5.2]	17.0 [5.0]	17.1 [5.0]	16.6 [4.9]	16.1 [4.7]
		Sens BTUH [kW]	4.2 [1.2]	3.9 [1.2]	3.6 [1.1]	5.7 [1.7]	5.4 [1.6]	4.9 [1.4]	7.6 [2.2]	7.1 [2.1]	6.5 [1.9]
		Power	1.6	1.6	1.6	1.6	1.6	1.6	1.6	1.6	1.6
	65°F [18.3°C]	Total BTUH [kW]	19.2 [5.6]	18.7 [5.5]	18.1 [5.3]	18.3 [5.4]	17.9 [5.2]	17.3 [5.1]	17.3 [5.1]	16.9 [5.0]	16.3 [4.8]
		Sens BTUH [kW]	4.9 [1.4]	4.6 [1.3]	4.2 [1.2]	6.4 [1.9]	6.0 [1.8]	5.5 [1.6]	8.3 [2.4]	7.8 [2.3]	7.1 [2.1]
		Power	1.6	1.6	1.6	1.6	1.6	1.6	1.6	1.6	1.6
	70°F [21.1°C]	Total BTUH [kW]	19.1 [5.6]	18.6 [5.4]	17.9 [5.3]	18.2 [5.3]	17.7 [5.2]	17.1 [5.0]	17.2 [5.0]	16.7 [4.9]	16.2 [4.7]
Sens BTUH [kW]		5.0 [1.5]	4.7 [1.4]	4.3 [1.3]	6.5 [1.9]	6.1 [1.8]	5.6 [1.6]	8.5 [2.5]	7.9 [2.3]	7.2 [2.1]	
Power		1.7	1.6	1.6	1.7	1.7	1.6	1.7	1.7	1.6	
75°F [23.9°C]	Total BTUH [kW]	18.5 [5.4]	18.0 [5.3]	17.4 [5.1]	17.6 [5.2]	17.1 [5.0]	16.5 [4.8]	16.6 [4.9]	16.2 [4.7]	15.6 [4.6]	
	Sens BTUH [kW]	4.6 [1.3]	4.3 [1.3]	3.9 [1.1]	6.1 [1.8]	5.7 [1.7]	5.2 [1.5]	8.0 [2.3]	7.5 [2.2]	6.8 [2.0]	
	Power	1.8	1.8	1.7	1.8	1.8	1.7	1.8	1.8	1.7	
80°F [26.7°C]	Total BTUH [kW]	17.4 [5.1]	17.0 [5.0]	16.4 [4.8]	16.5 [4.8]	16.1 [4.7]	15.6 [4.6]	15.5 [4.6]	15.1 [4.4]	14.6 [4.3]	
	Sens BTUH [kW]	3.5 [1.0]	3.3 [1.0]	3.0 [0.9]	5.0 [1.5]	4.7 [1.4]	4.3 [1.3]	6.9 [2.0]	6.5 [1.9]	5.9 [1.7]	
	Power	2.0	1.9	1.9	2.0	2.0	1.9	2.0	1.9	1.9	
85°F [29.4°C]	Total BTUH [kW]	16.0 [4.7]	15.5 [4.6]	15.0 [4.4]	15.1 [4.4]	14.7 [4.3]	14.2 [4.2]	14.1 [4.1]	13.7 [4.0]	13.2 [3.9]	
	Sens BTUH [kW]	1.8 [0.5]	1.7 [0.5]	1.6 [0.5]	3.3 [1.0]	3.1 [0.9]	2.9 [0.8]	5.2 [1.5]	4.9 [1.4]	4.5 [1.3]	
	Power	2.2	2.2	2.1	2.2	2.2	2.1	2.2	2.2	2.1	
90°F [32.2°C]	Total BTUH [kW]	14.0 [4.1]	13.7 [4.0]	13.2 [3.9]	13.2 [3.9]	12.8 [3.8]	12.4 [3.6]	12.2 [3.6]	11.9 [3.5]	11.4 [3.4]	
	Sens BTUH [kW]	-0.4 [-0.1]	-0.4 [-0.1]	-0.4 [-0.1]	1.1 [0.3]	1.0 [0.3]	0.9 [0.3]	3.0 [0.9]	2.8 [0.8]	2.5 [0.7]	
	Power	2.5	2.5	2.4	2.5	2.5	2.4	2.5	2.5	2.4	

DR —Depression ratio
dbE —Entering air dry bulb
wbE—Entering air wet bulb

Total —Total capacity x 1000 BTUH
Sens —Sensible capacity x 1000 BTUH
Power —KW input

NOTES: ① When the entering air dry bulb is other than 75°F [23.9°C], adjust the sensible capacity from the table by adding [1.10 x CFM x (1 – DR) x (dbE – 80)].

[] Designates Metric Conversions





Air

**GROSS SYSTEMS PERFORMANCE DATA
(HIGH REHEAT MODE) – RGECZT048 REHEAT**

ENTERING INDOOR AIR @ 75°F [23.9°C] dbE ①											
wbE		65.3°F [18.5°C]			64°F [17.8°C]			62.5°F [16.9°C]			
CFM [L/s]		1800 [850]	1570 [741]	1400 [661]	1800 [850]	1570 [741]	1400 [661]	1800 [850]	1570 [741]	1400 [661]	
O U T D O O R D R Y B U L B T E M P E R A T U R E ° F [° C]	60°F [15.6°C]	Total BTUH [kW]	27.7 [8.1]	26.9 [7.9]	26.4 [7.7]	26.2 [7.7]	25.5 [7.5]	25.0 [7.3]	25.8 [7.6]	25.1 [7.4]	24.6 [7.2]
		Sens BTUH [kW]	6.1 [1.8]	5.7 [1.7]	5.4 [1.6]	7.7 [2.2]	7.2 [2.1]	6.8 [2.0]	11.1 [3.3]	10.4 [3.0]	9.9 [2.9]
		Power	2.4	2.4	2.3	2.5	2.5	2.4	2.4	2.3	2.3
	70°F [21.1°C]	Total BTUH [kW]	26.2 [7.7]	25.5 [7.5]	25.0 [7.3]	24.7 [7.2]	24.0 [7.0]	23.6 [6.9]	24.3 [7.1]	23.7 [6.9]	23.2 [6.8]
		Sens BTUH [kW]	4.8 [1.4]	4.5 [1.3]	4.3 [1.3]	6.4 [1.9]	6.0 [1.7]	5.7 [1.7]	9.8 [2.9]	9.2 [2.7]	8.7 [2.6]
		Power	2.7	2.7	2.6	2.8	2.7	2.7	2.7	2.6	2.6
	80°F [26.7°C]	Total BTUH [kW]	24.1 [7.1]	23.5 [6.9]	23.0 [6.8]	22.7 [6.6]	22.1 [6.5]	21.6 [6.3]	22.3 [6.5]	21.7 [6.4]	21.2 [6.2]
Sens BTUH [kW]		3.0 [0.9]	2.8 [0.8]	2.6 [0.8]	4.5 [1.3]	4.2 [1.2]	4.0 [1.2]	8.0 [2.3]	7.4 [2.2]	7.1 [2.1]	
Power		3.0	3.0	2.9	3.1	3.1	3.0	3.0	2.9	2.9	
90°F [32.2°C]	Total BTUH [kW]	21.5 [6.3]	21.0 [6.2]	20.6 [6.0]	20.1 [5.9]	19.5 [5.7]	19.2 [5.6]	19.7 [5.8]	19.2 [5.6]	18.8 [5.5]	
	Sens BTUH [kW]	0.5 [0.2]	0.5 [0.1]	0.5 [0.1]	2.1 [0.6]	1.9 [0.6]	1.8 [0.5]	5.5 [1.6]	5.2 [1.5]	4.9 [1.4]	
	Power	3.3	3.3	3.3	3.4	3.4	3.4	3.3	3.3	3.2	
100°F [37.8°C]	Total BTUH [kW]	18.4 [5.4]	17.9 [5.3]	17.6 [5.2]	16.9 [5.0]	16.5 [4.8]	16.2 [4.7]	16.5 [4.8]	16.1 [4.7]	15.8 [4.6]	
	Sens BTUH [kW]	-2.5 [-0.7]	-2.3 [-0.7]	-2.2 [-0.7]	-1.0 [-0.3]	-0.9 [-0.3]	-0.8 [-0.2]	2.5 [0.7]	2.3 [0.7]	2.2 [0.6]	
	Power	3.7	3.7	3.6	3.8	3.7	3.7	3.7	3.6	3.6	
110°F [43.3°C]	Total BTUH [kW]	14.7 [4.3]	14.3 [4.2]	14.1 [4.1]	13.2 [3.9]	12.9 [3.8]	12.7 [3.7]	12.8 [3.8]	12.5 [3.7]	12.3 [3.6]	
	Sens BTUH [kW]	-6.1 [-1.8]	-5.7 [-1.7]	-5.4 [-1.6]	-4.6 [-1.3]	-4.3 [-1.2]	-4.0 [-1.2]	-1.1 [-0.3]	-1.0 [-0.3]	-1.0 [-0.3]	
	Power	4.1	4.0	4.0	4.2	4.1	4.1	4.1	4.0	4.0	
120°F [48.9°C]	Total BTUH [kW]	10.5 [3.1]	10.2 [3.0]	10.0 [2.9]	9.0 [2.6]	8.8 [2.6]	8.6 [2.5]	8.6 [2.5]	8.4 [2.5]	8.2 [2.4]	
	Sens BTUH [kW]	-10.3 [-3.0]	-9.6 [-2.8]	-9.1 [-2.7]	-8.7 [-2.6]	-8.2 [-2.4]	-7.8 [-2.3]	-5.3 [-1.6]	-5.0 [-1.5]	-4.7 [-1.4]	
	Power	4.5	4.4	4.4	4.6	4.5	4.5	4.5	4.4	4.4	

DR —Depression ratio
dbE —Entering air dry bulb
wbE—Entering air wet bulb

Total —Total capacity x 1000 BTUH
Sens —Sensible capacity x 1000 BTUH
Power —KW input

NOTES: ① When the entering air dry bulb is other than 75°F [23.9°C], adjust the sensible capacity from the table by adding $[1.10 \times \text{CFM} \times (1 - \text{DR}) \times (\text{dbE} - 80)]$.

[] Designates Metric Conversions



GROSS SYSTEMS PERFORMANCE DATA (LOW REHEAT MODE) – RGECZT060 REHEAT

ENTERING INDOOR AIR @ 75°F [23.9°C] dbE ①											
wbE		65.3°F [18.5°C]			64°F [17.8°C]			62.5°F [16.9°C]			
CFM [L/s]		1600 [755]	1360 [642]	1250 [590]	1600 [755]	1360 [642]	1250 [590]	1600 [755]	1360 [642]	1250 [590]	
OUTDOOR DRY BULB TEMPERATURE °F [°C]	60°F [15.6°C]	Total BTUH [kW]	26.2 [7.7]	25.4 [7.4]	25.0 [7.3]	25.2 [7.4]	24.4 [7.2]	24.1 [7.1]	24.3 [7.1]	23.5 [6.9]	23.2 [6.8]
		Sens BTUH [kW]	10.6 [3.1]	9.8 [2.9]	9.4 [2.8]	11.7 [3.4]	10.8 [3.2]	10.4 [3.1]	14.0 [4.1]	12.9 [3.8]	12.4 [3.6]
		Power	1.7	1.7	1.7	1.6	1.6	1.6	1.7	1.7	1.7
	65°F [18.3°C]	Total BTUH [kW]	25.2 [7.4]	24.4 [7.1]	24.0 [7.0]	24.2 [7.1]	23.5 [6.9]	23.1 [6.8]	23.3 [6.8]	22.5 [6.6]	22.2 [6.5]
		Sens BTUH [kW]	9.4 [2.8]	8.7 [2.6]	8.4 [2.5]	10.6 [3.1]	9.8 [2.9]	9.4 [2.8]	12.8 [3.7]	11.8 [3.5]	11.4 [3.3]
		Power	1.9	1.9	1.8	1.8	1.7	1.7	1.9	1.9	1.9
	70°F [21.1°C]	Total BTUH [kW]	24.0 [7.0]	23.3 [6.8]	22.9 [6.7]	23.0 [6.8]	22.3 [6.5]	22.0 [6.4]	22.1 [6.5]	21.4 [6.3]	21.1 [6.2]
Sens BTUH [kW]		8.1 [2.4]	7.5 [2.2]	7.2 [2.1]	9.2 [2.7]	8.5 [2.5]	8.2 [2.4]	11.4 [3.4]	10.6 [3.1]	10.2 [3.0]	
Power		2.1	2.0	2.0	1.9	1.9	1.9	2.1	2.1	2.0	
75°F [23.9°C]	Total BTUH [kW]	22.7 [6.6]	22.0 [6.4]	21.6 [6.3]	21.7 [6.4]	21.0 [6.2]	20.7 [6.1]	20.7 [6.1]	20.1 [5.9]	19.8 [5.8]	
	Sens BTUH [kW]	6.6 [1.9]	6.1 [1.8]	5.8 [1.7]	7.7 [2.3]	7.1 [2.1]	6.8 [2.0]	9.9 [2.9]	9.2 [2.7]	8.8 [2.6]	
	Power	2.2	2.2	2.2	2.1	2.1	2.1	2.3	2.2	2.2	
80°F [26.7°C]	Total BTUH [kW]	21.1 [6.2]	20.5 [6.0]	20.2 [5.9]	20.2 [5.9]	19.5 [5.7]	19.3 [5.6]	19.2 [5.6]	18.6 [5.5]	18.3 [5.4]	
	Sens BTUH [kW]	4.9 [1.4]	4.5 [1.3]	4.3 [1.3]	6.0 [1.8]	5.6 [1.6]	5.4 [1.6]	8.2 [2.4]	7.6 [2.2]	7.3 [2.1]	
	Power	2.4	2.4	2.4	2.3	2.3	2.2	2.4	2.4	2.4	
85°F [29.4°C]	Total BTUH [kW]	19.5 [5.7]	18.9 [5.5]	18.6 [5.4]	18.5 [5.4]	17.9 [5.3]	17.7 [5.2]	17.5 [5.1]	17.0 [5.0]	16.7 [4.9]	
	Sens BTUH [kW]	3.0 [0.9]	2.8 [0.8]	2.7 [0.8]	4.2 [1.2]	3.8 [1.1]	3.7 [1.1]	6.4 [1.9]	5.9 [1.7]	5.7 [1.7]	
	Power	2.6	2.6	2.5	2.5	2.4	2.4	2.6	2.6	2.6	
90°F [32.2°C]	Total BTUH [kW]	17.6 [5.2]	17.1 [5.0]	16.8 [4.9]	16.6 [4.9]	16.1 [4.7]	15.9 [4.7]	15.7 [4.6]	15.2 [4.5]	15.0 [4.4]	
	Sens BTUH [kW]	1.0 [0.3]	0.9 [0.3]	0.9 [0.3]	2.1 [0.6]	2.0 [0.6]	1.9 [0.6]	4.4 [1.3]	4.0 [1.2]	3.9 [1.1]	
	Power	2.8	2.7	2.7	2.7	2.6	2.6	2.8	2.8	2.7	

DR —Depression ratio
dbE —Entering air dry bulb
wbE —Entering air wet bulb

Total —Total capacity x 1000 BTUH
Sens —Sensible capacity x 1000 BTUH
Power —KW input

NOTES: ① When the entering air dry bulb is other than 75°F [23.9°C], adjust the sensible capacity from the table by adding [1.10 x CFM x (1 – DR) x (dbE – 80)].

[] Designates Metric Conversions





GROSS SYSTEMS PERFORMANCE DATA (HIGH REHEAT MODE) – RGECZT060 REHEAT

		ENTERING INDOOR AIR @ 75°F [23.9°C] dbE ①									
wbE		65.3°F [18.5°C]			64°F [17.8°C]			62.5°F [16.9°C]			
CFM [L/s]		2250 [1062]	1815 [857]	1750 [826]	2250 [1062]	1815 [857]	1750 [826]	2250 [1062]	1815 [857]	1750 [826]	
OUTDOOR DRY BULB TEMPERATURE °F [°C]	60°F [15.6°C]	Total BTUH [kW] Sens BTUH [kW] Power	38.0 [11.1] 13.0 [3.8] 2.8	36.4 [10.7] 11.7 [3.4] 2.7	36.1 [10.6] 11.5 [3.4] 2.7	36.6 [10.7] 15.0 [4.4] 2.8	35.1 [10.3] 13.5 [3.9] 2.8	34.8 [10.2] 13.2 [3.9] 2.8	35.5 [10.4] 18.6 [5.4] 2.7	34.0 [10.0] 16.7 [4.9] 2.7	33.8 [9.9] 16.4 [4.8] 2.7
	70°F [21.1°C]	Total BTUH [kW] Sens BTUH [kW] Power	34.9 [10.2] 9.1 [2.7] 3.1	33.4 [9.8] 8.2 [2.4] 3.0	33.2 [9.7] 8.1 [2.4] 3.0	33.5 [9.8] 11.1 [3.3] 3.1	32.1 [9.4] 10.0 [2.9] 3.1	31.9 [9.3] 9.9 [2.9] 3.1	32.4 [9.5] 14.7 [4.3] 3.0	31.0 [9.1] 13.3 [3.9] 3.0	30.8 [9.0] 13.0 [3.8] 3.0
	80°F [26.7°C]	Total BTUH [kW] Sens BTUH [kW] Power	31.6 [9.3] 5.3 [1.5] 3.4	30.2 [8.9] 4.8 [1.4] 3.4	30.1 [8.8] 4.7 [1.4] 3.3	30.2 [8.8] 7.3 [2.1] 3.5	28.9 [8.5] 6.6 [1.9] 3.4	28.7 [8.4] 6.4 [1.9] 3.4	29.1 [8.5] 10.9 [3.2] 3.4	27.9 [8.2] 9.8 [2.9] 3.3	27.7 [8.1] 9.6 [2.8] 3.3
	90°F [32.2°C]	Total BTUH [kW] Sens BTUH [kW] Power	28.1 [8.2] 1.4 [0.4] 3.8	26.9 [7.9] 1.2 [0.4] 3.7	26.8 [7.8] 1.2 [0.4] 3.7	26.7 [7.8] 3.4 [1.0] 3.9	25.6 [7.5] 3.0 [0.9] 3.8	25.4 [7.5] 3.0 [0.9] 3.8	25.7 [7.5] 7.0 [2.0] 3.8	24.6 [7.2] 6.3 [1.8] 3.7	24.4 [7.2] 6.2 [1.8] 3.7
	100°F [37.8°C]	Total BTUH [kW] Sens BTUH [kW] Power	24.5 [7.2] -2.6 [-0.7] 4.2	23.5 [6.9] -2.3 [-0.7] 4.2	23.3 [6.8] -2.3 [-0.7] 4.1	23.1 [6.8] -0.6 [-0.2] 4.3	22.1 [6.5] -0.5 [-0.1] 4.2	22.0 [6.4] -0.5 [-0.1] 4.2	22.0 [6.5] 3.1 [0.9] 4.2	21.1 [6.2] 2.7 [0.8] 4.1	21.0 [6.1] 2.7 [0.8] 4.1
	110°F [43.3°C]	Total BTUH [kW] Sens BTUH [kW] Power	20.7 [6.1] -6.5 [-1.9] 4.7	19.8 [5.8] -5.9 [-1.7] 4.6	19.7 [5.8] -5.8 [-1.7] 4.6	19.3 [5.7] -4.5 [-1.3] 4.8	18.5 [5.4] -4.1 [-1.2] 4.7	18.4 [5.4] -4.0 [-1.2] 4.7	18.2 [5.3] -0.9 [-0.3] 4.7	17.5 [5.1] -0.8 [-0.2] 4.6	17.4 [5.1] -0.8 [-0.2] 4.6
	120°F [48.9°C]	Total BTUH [kW] Sens BTUH [kW] Power	16.7 [4.9] -10.5 [-3.1] 5.2	16.0 [4.7] -9.5 [-2.8] 5.1	15.9 [4.7] -9.3 [-2.7] 5.1	15.4 [4.5] -8.5 [-2.5] 5.3	14.7 [4.3] -7.7 [-2.3] 5.2	14.6 [4.3] -7.6 [-2.2] 5.2	14.3 [4.2] -4.9 [-1.4] 5.2	13.7 [4.0] -4.4 [-1.3] 5.1	13.6 [4.0] -4.4 [-1.3] 5.1

DR —Depression ratio
dbE —Entering air dry bulb
wbE —Entering air wet bulb

Total —Total capacity x 1000 BTUH
Sens —Sensible capacity x 1000 BTUH
Power —KW input

NOTES: ① When the entering air dry bulb is other than 75°F [23.9°C], adjust the sensible capacity from the table by adding $[1.10 \times \text{CFM} \times (1 - \text{DR}) \times (\text{dbE} - 80)]$.

[] Designates Metric Conversions



GROSS SYSTEMS PERFORMANCE DATA (LOW HUMIDIDRY MODE) – RGECZT072

ENTERING INDOOR AIR @ 75°F [23.9°C] dbE ①											
wbE		65.3°F [18.5°C]			64°F [17.8°C]			62.5°F [16.9°C]			
CFM [L/s]		1680 [793]	1600 [755]	1120 [529]	1680 [793]	1600 [755]	1120 [529]	1680 [793]	1600 [755]	1120 [529]	
OUTDOOR DRY BULB TEMPERATURE °F [°C]	60°F [15.6°C]	Total BTUH [kW]	31.8 [9.3]	31.5 [9.2]	29.8 [8.7]	31.6 [9.3]	31.3 [9.2]	29.6 [8.7]	35.0 [10.3]	34.7 [10.2]	32.8 [9.6]
		Sens BTUH [kW]	12.3 [3.6]	12.0 [3.5]	10.3 [3.0]	14.0 [4.1]	13.7 [4.0]	11.8 [3.5]	16.3 [4.8]	15.9 [4.7]	13.7 [4.0]
		Power	3.3	3.2	3.2	3.2	3.2	3.1	3.3	3.3	3.2
	65°F [18.3°C]	Total BTUH [kW]	31.7 [9.3]	31.4 [9.2]	29.7 [8.7]	31.5 [9.2]	31.2 [9.1]	29.5 [8.6]	34.9 [10.2]	34.6 [10.1]	32.7 [9.6]
		Sens BTUH [kW]	11.7 [3.4]	11.4 [3.3]	9.8 [2.9]	13.4 [3.9]	13.1 [3.8]	11.2 [3.3]	15.6 [4.6]	15.3 [4.5]	13.1 [3.8]
		Power	3.2	3.2	3.1	3.2	3.2	3.1	3.3	3.3	3.2
	70°F [21.1°C]	Total BTUH [kW]	31.2 [9.1]	30.9 [9.1]	29.3 [8.6]	31.0 [9.1]	30.7 [9.0]	29.1 [8.5]	34.5 [10.1]	34.2 [10.0]	32.3 [9.5]
Sens BTUH [kW]		11.0 [3.2]	10.7 [3.1]	9.2 [2.7]	12.7 [3.7]	12.4 [3.6]	10.7 [3.1]	14.9 [4.4]	14.6 [4.3]	12.6 [3.7]	
Power		3.3	3.3	3.2	3.3	3.2	3.2	3.3	3.3	3.2	
75°F [23.9°C]	Total BTUH [kW]	30.4 [8.9]	30.1 [8.8]	28.5 [8.3]	30.2 [8.8]	29.9 [8.8]	28.3 [8.3]	33.6 [9.9]	33.3 [9.8]	31.5 [9.2]	
	Sens BTUH [kW]	10.2 [3.0]	10.0 [2.9]	8.6 [2.5]	11.9 [3.5]	11.7 [3.4]	10.0 [2.9]	14.2 [4.2]	13.9 [4.1]	11.9 [3.5]	
	Power	3.3	3.3	3.2	3.3	3.3	3.2	3.4	3.4	3.3	
80°F [26.7°C]	Total BTUH [kW]	29.2 [8.6]	28.9 [8.5]	27.3 [8.0]	29.0 [8.5]	28.7 [8.4]	27.2 [8.0]	32.4 [9.5]	32.1 [9.4]	30.4 [8.9]	
	Sens BTUH [kW]	9.4 [2.7]	9.2 [2.7]	7.9 [2.3]	11.1 [3.3]	10.8 [3.2]	9.3 [2.7]	13.4 [3.9]	13.1 [3.8]	11.2 [3.3]	
	Power	3.4	3.4	3.3	3.4	3.4	3.3	3.5	3.4	3.3	
85°F [29.4°C]	Total BTUH [kW]	27.6 [8.1]	27.3 [8.0]	25.9 [7.6]	27.4 [8.0]	27.2 [8.0]	25.7 [7.5]	30.9 [9.0]	30.6 [9.0]	28.9 [8.5]	
	Sens BTUH [kW]	8.5 [2.5]	8.3 [2.4]	7.1 [2.1]	10.2 [3.0]	10.0 [2.9]	8.6 [2.5]	12.5 [3.7]	12.2 [3.6]	10.5 [3.1]	
	Power	3.5	3.5	3.4	3.5	3.5	3.4	3.6	3.5	3.5	
90°F [32.2°C]	Total BTUH [kW]	25.6 [7.5]	25.4 [7.4]	24.0 [7.0]	25.4 [7.5]	25.2 [7.4]	23.8 [7.0]	28.9 [8.5]	28.6 [8.4]	27.1 [7.9]	
	Sens BTUH [kW]	7.5 [2.2]	7.4 [2.2]	6.3 [1.9]	9.3 [2.7]	9.1 [2.7]	7.8 [2.3]	11.5 [3.4]	11.3 [3.3]	9.7 [2.8]	
	Power	3.6	3.6	3.5	3.6	3.6	3.5	3.7	3.7	3.6	

DR —Depression ratio
dbE —Entering air dry bulb
wbE —Entering air wet bulb

Total —Total capacity x 1000 BTUH
Sens —Sensible capacity x 1000 BTUH
Power —KW input

NOTES: ① When the entering air dry bulb is other than 75°F [23.9°C], adjust the sensible capacity from the table by adding $[1.10 \times \text{CFM} \times (1 - \text{DR}) \times (\text{dbE} - 80)]$.

[] Designates Metric Conversions





GROSS SYSTEMS PERFORMANCE DATA (HIGH HUMIDIDRY MODE) - RGECZT072

		ENTERING INDOOR AIR @ 75°F [23.9°C] dbE ①									
wbE		65.3°F [18.5°C]			64°F [17.8°C]			62.5°F [16.9°C]			
CFM [L/s]		2880 [1359]	2400 [1133]	1920 [906]	2880 [1359]	2400 [1133]	1920 [906]	2880 [1359]	2400 [1133]	1920 [906]	
O U T D O O R D R Y B U L B T E M P E R A T U R E ° F [° C]	60°F [15.6°C]	Total BTUH [kW]	36.6 [10.7]	35.4 [10.4]	34.1 [10.0]	35.6 [10.4]	34.3 [10.1]	33.1 [9.7]	35.7 [10.5]	34.5 [10.1]	33.2 [9.7]
		Sens BTUH [kW]	11.8 [3.5]	10.8 [3.2]	9.8 [2.9]	14.8 [4.3]	13.5 [4.0]	12.3 [3.6]	19.0 [5.6]	17.4 [5.1]	15.7 [4.6]
		Power	4.6	4.6	4.5	4.6	4.5	4.4	4.6	4.5	4.4
	70°F [21.1°C]	Total BTUH [kW]	35.2 [10.3]	34.0 [9.9]	32.7 [9.6]	34.1 [10.0]	32.9 [9.6]	31.7 [9.3]	34.3 [10.0]	33.1 [9.7]	31.9 [9.3]
		Sens BTUH [kW]	9.6 [2.8]	8.8 [2.6]	8.0 [2.3]	12.6 [3.7]	11.5 [3.4]	10.4 [3.0]	16.7 [4.9]	15.3 [4.5]	13.9 [4.1]
		Power	4.7	4.7	4.6	4.7	4.6	4.5	4.7	4.6	4.5
	80°F [26.7°C]	Total BTUH [kW]	32.8 [9.6]	31.6 [9.3]	30.5 [8.9]	31.7 [9.3]	30.6 [9.0]	29.5 [8.6]	31.9 [9.3]	30.8 [9.0]	29.6 [8.7]
Sens BTUH [kW]		6.6 [1.9]	6.1 [1.8]	5.5 [1.6]	9.6 [2.8]	8.8 [2.6]	8.0 [2.3]	13.8 [4.0]	12.6 [3.7]	11.4 [3.4]	
Power		5.0	4.9	4.8	4.9	4.8	4.8	4.9	4.8	4.7	
90°F [32.2°C]	Total BTUH [kW]	29.5 [8.6]	28.4 [8.3]	27.4 [8.0]	28.4 [8.3]	27.4 [8.0]	26.4 [7.7]	28.6 [8.4]	27.6 [8.1]	26.5 [7.8]	
	Sens BTUH [kW]	3.0 [0.9]	2.7 [0.8]	2.5 [0.7]	6.0 [1.7]	5.4 [1.6]	4.9 [1.4]	10.1 [3.0]	9.3 [2.7]	8.4 [2.5]	
	Power	5.3	5.2	5.2	5.3	5.2	5.1	5.3	5.2	5.1	
100°F [37.8°C]	Total BTUH [kW]	25.2 [7.4]	24.3 [7.1]	23.4 [6.9]	24.1 [7.1]	23.3 [6.8]	22.4 [6.6]	24.3 [7.1]	23.4 [6.9]	22.6 [6.6]	
	Sens BTUH [kW]	-1.4 [-0.4]	-1.3 [-0.4]	-1.1 [-0.3]	1.6 [0.5]	1.4 [0.4]	1.3 [0.4]	5.8 [1.7]	5.3 [1.5]	4.8 [1.4]	
	Power	5.8	5.7	5.6	5.8	5.7	5.6	5.8	5.7	5.6	
110°F [43.3°C]	Total BTUH [kW]	20.0 [5.9]	19.3 [5.7]	18.6 [5.4]	18.9 [5.5]	18.3 [5.3]	17.6 [5.2]	19.1 [5.6]	18.4 [5.4]	17.8 [5.2]	
	Sens BTUH [kW]	-6.5 [-1.9]	-5.9 [-1.7]	-5.4 [-1.6]	-3.5 [-1.0]	-3.2 [-0.9]	-2.9 [-0.8]	0.7 [0.2]	0.6 [0.2]	0.6 [0.2]	
	Power	6.4	6.3	6.2	6.4	6.3	6.2	6.4	6.3	6.1	
120°F [48.9°C]	Total BTUH [kW]	13.9 [4.1]	13.4 [3.9]	12.9 [3.8]	12.8 [3.7]	12.3 [3.6]	11.9 [3.5]	13.0 [3.8]	12.5 [3.7]	12.1 [3.5]	
	Sens BTUH [kW]	-12.2 [-3.6]	-11.2 [-3.3]	-10.2 [-3.0]	-9.3 [-2.7]	-8.5 [-2.5]	-7.7 [-2.3]	-5.1 [-1.5]	-4.7 [-1.4]	-4.2 [-1.2]	
	Power	7.2	7.1	6.9	7.1	7.0	6.9	7.1	7.0	6.9	

DR —Depression ratio
dbE —Entering air dry bulb
wbE —Entering air wet bulb

Total —Total capacity x 1000 BTUH
Sens —Sensible capacity x 1000 BTUH
Power —KW input

NOTES: ① When the entering air dry bulb is other than 75°F [23.9°C], adjust the sensible capacity from the table by adding $[1.10 \times \text{CFM} \times (1 - \text{DR}) \times (\text{dbE} - 80)]$.

[] Designates Metric Conversions



3-5T — HIGH STATIC-LOW GAS HEAT OPTION — SIDEFLOW (208-230V/575V)

Unit Model (Tonnage)	Manufacturer Recommended Airflow Range (Min/Max) CFM	COMPONENT AIRFLOW RESISTANCE		Motor HP [W]	Motor Speed	CFM/ WATTS	External Static Pressure - Inches W.C. [kPa]							
		MERV 8 Filter	MERV 13 Filter				0.8 [.2]	0.9 [.22]	1 [.25]	1.1 [.27]	1.2 [.3]	1.3 [.32]	1.4 [.35]	1.5 [.37]
		Resistance - Inches of Water (Min/Max) [kPa]												
RGECZR036(3T)	1050/1350	0.075 [.02]/ 0.105 [.03]	0.020 [.00]/ 0.066 [.02]	1 HP [745]	Fan - Tap 1	CFM	1061	1000	935	877	828	774	778	739
						WATTS	293	302	314	325	344	363	390	416
				1 HP [745]	Low Heat - Tap 2	CFM	905	841	773	713	667	615	635	609
						WATTS	192	201	212	225	248	274	309	347
				1 HP [745]	High Heat - Tap 3	CFM	1332	1276	1217	1162	1108	1049	1026	964
WATTS	469	480	490			501	511	519	530	535				
1 HP [745]	Cooling - Tap 4 *	CFM	1064	1002	938	879	831	776	780	741				
		WATTS	295	304	315	327	345	365	391	417				
1 HP [745]	High Speed - Tap 5	CFM	1526	1481	1440	1392	1336	1285	1231	1175				
		WATTS	531	540	552	563	578	588	598	610				
RGECZR048 (4T)	1400/1800	0.110 [.03]/ 0.150 [.04]	0.074 [.02]/ 0.135 [.03]	1 HP [745]	Fan - Tap 1	CFM	1061	1000	935	877	828	774	778	739
						WATTS	293	302	314	325	344	363	390	416
				1 HP [745]	Low Heat - Tap 2	CFM	1073	1012	947	889	840	786	789	749
						WATTS	301	310	322	333	351	370	396	421
				1 HP [745]	High Heat - Tap 3	CFM	1452	1398	1342	1288	1232	1170	1136	1064
WATTS	547	558	568			578	584	587	592	588				
1 HP [745]	Cooling - Tap 4 *	CFM	1434	1380	1323	1269	1213	1152	1120	1049				
		WATTS	535	546	557	567	574	577	583	580				
1 HP [745]	High Speed - Tap 5	CFM	1795	1751	1710	1668	1629	1581	1538	1490				
		WATTS	721	734	745	758	770	784	795	811				
RGECZR060 (5T)	1750/2250	0.145 [.04]/ 0.195 [.05]	0.128 [.03]/ 0.205 [.05]	1.5 HP [1188]	Fan - Tap 1	CFM	1063	1000	909	849	796	743	695	644
						WATTS	311	319	331	341	355	365	375	384
				1.5 HP [1188]	Low Heat - Tap 2	CFM	1063	1000	909	849	796	743	695	644
						WATTS	311	319	331	341	355	365	375	384
				1.5 HP [1188]	High Heat - Tap 3	CFM	1444	1390	1335	1279	1220	1161	1090	1035
WATTS	468	487	488			499	505	514	513	521				
1.5 HP [1188]	Cooling - Tap 4 *	CFM	1826	1795	1754	1714	1674	1636	1590	1540				
		WATTS	681	700	720	738	757	774	787	799				
1.5 HP [1188]	High Speed - Tap 5	CFM	2127	2076	2045	2000	1966	1930	1894	1871				
		WATTS	906	924	941	958	977	1008	1021	1049				

- NOTES:** 1. Factory tap settings are marked with an asterisk *.
2. Pressure drops across the 3-5T CFM range (1050 - 2250)
Pressure drops across the 6T CFM range (2100-2700)
Wet coil: ~0.09 Inches W.C.
Downflow: ~0.1 Inches W.C.
Reheat coil: ~0.09 Inches W.C.

[] Designates Metric Conversions



3-5T — HIGH STATIC-HIGH GAS HEAT OPTION — SIDEFLOW (208-230V/575V)

Unit Model (Tonnage)	Manufacturer Recommended Airflow Range (Min/Max) CFM	COMPONENT AIRFLOW RESISTANCE		Motor HP [W]	Motor Speed	CFM/ WATTS	External Static Pressure - Inches W.C. [kPa]							
		MERV 8 Filter	MERV 13 Filter				0.8 [.2]	0.9 [.22]	1 [.25]	1.1 [.27]	1.2 [.3]	1.3 [.32]	1.4 [.35]	1.5 [.37]
		Resistance - Inches of Water (Min/Max) [kPa]												
RGECZR036(3T)	1050/1350	0.075 [.02]/ 0.105 [.03]	0.020 [.00]/ 0.066 [.02]	1 HP [745]	Fan - Tap 1	CFM	1037	974	913	851	795	786	729	676
						WATTS	261	270	279	287	294	298	306	312
				1 HP [745]	Low Heat - Tap 2	CFM	1393	1338	1286	1232	1183	1158	1107	1058
						WATTS	474	485	497	509	520	529	540	549
				1 HP [745]	High Heat - Tap 3	CFM	1588	1538	1491	1442	1397	1363	1314	1268
						WATTS	591	603	617	630	644	655	668	680
				1 HP [745]	Cooling - Tap 4 *	CFM	1037	974	913	851	795	786	729	676
						WATTS	261	270	279	287	294	298	306	312
				1 HP [745]	High Speed - Tap 5	CFM	1495	1443	1398	1352	1303	1252	1202	1147
						WATTS	493	508	519	531	542	555	563	575
RGECZR048 (4T)	1400/1800	0.110 [.03]/ 0.150 [.04]	0.074 [.02]/ 0.135 [.03]	1 HP [745]	Fan - Tap 1	CFM	1371	1316	1264	1209	1160	1109	1057	1008
						WATTS	461	472	484	495	506	517	527	537
				1 HP [745]	Low Heat - Tap 2	CFM	1675	1627	1582	1535	1492	1444	1397	1352
						WATTS	643	656	671	684	699	712	725	738
				1 HP [745]	High Heat - Tap 3	CFM	1740	1693	1650	1605	1563	1516	1470	1426
						WATTS	681	695	711	725	740	754	768	781
				1 HP [745]	Cooling - Tap 4 *	CFM	1360	1305	1252	1198	1148	1097	1045	996
						WATTS	454	466	477	488	499	510	520	530
				1 HP [745]	High Speed - Tap 5	CFM	1800	1762	1721	1676	1641	1587	1546	1512
						WATTS	692	706	719	737	755	768	780	795
RGECZR060 (5T)	1750/2250	0.145 [.04]/ 0.195 [.05]	0.128 [.03]/ 0.205 [.05]	1.5 HP [1188]	Fan - Tap 1	CFM	1527	1476	1427	1377	1330	1281	1232	1185
						WATTS	554	567	580	592	605	617	629	640
				1.5 HP [1188]	Low Heat - Tap 2	CFM	1523	1471	1423	1372	1326	1277	1227	1180
						WATTS	552	564	577	590	602	614	626	637
				1.5 HP [1188]	High Heat - Tap 3	CFM	1935	1893	1855	1814	1776	1732	1689	1647
						WATTS	798	813	831	846	864	880	895	910
				1.5 HP [1188]	Cooling - Tap 4 *	CFM	1581	1531	1484	1435	1390	1341	1293	1247
						WATTS	587	599	613	626	640	652	664	676
				1.5 HP [1188]	High Speed - Tap 5	CFM	2151	2115	2082	2046	2013	1972	1932	1893
						WATTS	928	945	964	981	1001	1020	1037	1054

- NOTES:** 1. Factory tap settings are marked with an asterisk *.
 2. Pressure drops across the 3-5T CFM range (1050 - 2250)
 Pressure drops across the 6T CFM range (2100-2700)
 Wet coil: ~0.09 Inches W.C.
 Downflow: ~0.1 Inches W.C.
 Reheat coil: ~0.09 Inches W.C.

[] Designates Metric Conversions



3-5T — LOW STATIC-LOW GAS HEAT OPTION — SIDEFLOW (208-230V/575V)

Unit Model (Tonnage)	Manufacturer Recommended Airflow Range (Min/Max) CFM	COMPONENT AIRFLOW RESISTANCE		Motor HP [W]	Motor Speed	CFM/ WATTS	External Static Pressure - Inches W.C. [kPa]							
		MERV 8 Filter	MERV 13 Filter				0.1 [.02]	0.2 [.05]	0.3 [.07]	0.4 [.10]	0.5 [.12]	0.6 [.15]	0.7 [.17]	0.8 [.20]
		Resistance - Inches of Water (Min/Max) [kPa]												
RGECZR036(3T)	1050/1350	0.075 [.02]/ 0.105 [.03]	0.020 [.00]/ 0.066 [.02]	3/4 HP [559]	Fan- Tap 1	CFM	895	809	730	642	555	497	420	367
						WATTS	52	59	66	73	79	80	85	86
				3/4 HP [559]	Low Heat- Tap 2	CFM	1052	970	895	814	733	676	603	550
						WATTS	101	109	117	125	132	135	142	145
				3/4 HP [559]	High Heat- Tap 3	CFM	1314	1239	1172	1101	1031	974	908	856
						WATTS	184	193	203	212	221	228	237	243
				3/4 HP [559]	Cooling- Tap 4 *	CFM	1170	1091	1020	943	867	810	740	688
						WATTS	138	147	156	164	172	177	185	189
				3/4 HP [559]	High Speed- Tap 5	CFM	1513	1445	1389	1322	1269	1210	1153	1097
						WATTS	232	242	252	264	275	285	295	302
RGECZR048 (4T)	1400/1800	0.110 [.03]/ 0.150 [.04]	0.074 [.02]/ 0.135 [.03]	3/4 HP [559]	Fan- Tap 1	CFM	895	809	730	642	555	497	420	367
						WATTS	52	59	66	73	79	80	85	86
				3/4 HP [559]	Low Heat- Tap 2	CFM	1047	965	890	808	727	670	597	544
						WATTS	100	108	116	123	130	134	140	143
				3/4 HP [559]	High Heat- Tap 3	CFM	1349	1275	1209	1139	1071	1014	949	897
						WATTS	195	204	214	224	233	240	249	256
				3/4 HP [559]	Cooling- Tap 4 *	CFM	1507	1438	1376	1313	1250	1193	1133	1081
						WATTS	244	255	265	276	286	296	307	316
				3/4 HP [559]	High Speed- Tap 5	CFM	1876	1817	1766	1718	1671	1614	1564	1512
						WATTS	360	373	386	399	411	427	440	454
RGECZR060 (5T)	1750/2250	0.145 [.04]/ 0.195 [.05]	0.128 [.03]/ 0.205 [.05]	1 HP [745]	Fan- Tap 1	CFM	1169	1092	1022	950	874	783	715	640
						WATTS	129	138	147	158	165	173	180	187
				1 HP [745]	Low Heat- Tap 2	CFM	1322	1247	1181	1117	1053	986	921	852
						WATTS	130	139	149	158	168	178	187	194
				1 HP [745]	High Heat- Tap 3	CFM	1611	1546	1485	1427	1367	1308	1250	1190
						WATTS	298	309	321	331	345	356	367	377
				1 HP [745]	Cooling- Tap 4 *	CFM	1954	1899	1845	1792	1739	1688	1639	1590
						WATTS	496	510	524	537	553	566	580	594
				1 HP [745]	High Speed- Tap 5	CFM	2298	2254	2199	2154	2106	2059	2014	1976
						WATTS	929	956	981	1001	1030	1056	1081	1105

- NOTES:** 1. Factory tap settings are marked with an asterisk *.
 2. Pressure drops across the 3-5T CFM range (1050 - 2250)
 Pressure drops across the 6T CFM range (2100-2700)
 Wet coil: ~0.09 Inches W.C.
 Downflow: ~0.1 Inches W.C.
 Reheat coil: ~0.09 Inches W.C.

[] Designates Metric Conversions



3-5T – LOW STATIC-HIGH GAS HEAT OPTION – SIDEFLOW (208-230V/575V)

Unit Model (Tonnage)	Manufacturer Recommended Airflow Range (Min/Max) CFM	COMPONENT AIRFLOW RESISTANCE		Motor HP [W]	Motor Speed	CFM/ WATTS	External Static Pressure - Inches W.C. [kPa]							
		MERV 8 Filter	MERV 13 Filter				0.1 [.02]	0.2 [.05]	0.3 [.07]	0.4 [.10]	0.5 [.12]	0.6 [.15]	0.7 [.17]	0.8 [.20]
		Resistance - Inches of Water (Min/Max) [kPa]												
RGECZR036(3T)	1050/1350	0.075 [.02]/ 0.105 [.03]	0.020 [.00]/ 0.066 [.02]	3/4 HP [559]	Fan - Tap 1	CFM	895	809	730	642	555	497	420	367
						WATTS	52	59	66	73	79	80	85	86
				3/4 HP [559]	Low Heat - Tap 2	CFM	1189	1111	1041	964	889	832	763	711
						WATTS	145	153	162	171	179	184	192	197
				3/4 HP [559]	High Heat - Tap 3	CFM	1370	1297	1232	1163	1095	1038	974	922
						WATTS	201	211	221	231	240	248	257	264
				3/4 HP [559]	Cooling - Tap 4 *	CFM	1170	1091	1020	943	867	810	740	688
						WATTS	138	147	156	164	172	177	185	189
				3/4 HP [559]	High Speed - Tap 5	CFM	1513	1445	1389	1322	1269	1210	1153	1097
						WATTS	232	242	252	264	275	285	295	302
RGECZR048 (4T)	1400/1800	0.110 [.03]/ 0.150 [.04]	0.074 [.02]/ 0.135 [.03]	3/4 HP [559]	Fan - Tap 1	CFM	895	809	730	642	555	497	420	367
						WATTS	52	59	66	73	79	80	85	86
				3/4 HP [559]	Low Heat - Tap 2	CFM	1288	1212	1144	1072	1001	944	878	825
						WATTS	175	185	194	203	212	219	227	233
				3/4 HP [559]	High Heat - Tap 3	CFM	1567	1499	1439	1378	1318	1261	1203	1151
						WATTS	263	274	285	296	306	317	328	338
				3/4 HP [559]	Cooling - Tap 4 *	CFM	1507	1438	1376	1313	1250	1193	1133	1081
						WATTS	244	255	265	276	286	296	307	316
				3/4 HP [559]	High Speed - Tap 5	CFM	1876	1817	1766	1718	1671	1614	1564	1512
						WATTS	360	373	386	399	411	427	440	454
RGECZR060 (5T)	1750/2250	0.145 [.04]/ 0.195 [.05]	0.128 [.03]/ 0.205 [.05]	1 HP [745]	Fan - Tap 1	CFM	1169	1092	1022	950	874	783	715	640
						WATTS	129	138	147	158	165	173	180	187
				1 HP [745]	Low Heat - Tap 2	CFM	1586	1519	1459	1399	1339	1279	1221	1161
						WATTS	283	294	305	316	329	340	351	361
				1 HP [745]	High Heat - Tap 3	CFM	1852	1794	1738	1684	1628	1575	1523	1471
						WATTS	437	450	463	476	491	503	516	529
				1 HP [745]	Cooling - Tap 4 *	CFM	1954	1899	1845	1792	1739	1688	1639	1590
						WATTS	496	510	524	537	553	566	580	594
				1 HP [745]	High Speed - Tap 5	CFM	2298	2254	2199	2154	2106	2059	2014	1976
						WATTS	929	956	981	1001	1030	1056	1081	1105

- NOTES:** 1. Factory tap settings are marked with an asterisk *.
 2. Pressure drops across the 3-5T CFM range (1050 - 2250)
 Pressure drops across the 6T CFM range (2100-2700)
 Wet coil: ~0.09 Inches W.C.
 Downflow: ~0.1 Inches W.C.
 Reheat coil: ~0.09 Inches W.C.

[] Designates Metric Conversions



3-5T — HIGH STATIC-LOW GAS HEAT OPTION — SIDEFLOW (460V)

Unit Model (Tonnage)	Manufacturer Recommended Airflow Range (Min/Max) CFM	COMPONENT AIRFLOW RESISTANCE		Motor HP [W]	Motor Speed	CFM/ WATTS	External Static Pressure - Inches W.C. [kPa]							
		MERV 8 Filter	MERV 13 Filter				0.8 [.2]	0.9 [.22]	1 [.25]	1.1 [.27]	1.2 [.3]	1.3 [.32]	1.4 [.35]	1.5 [.37]
		Resistance - Inches of Water (Min/Max) [kPa]												
RGECZR036(3T)	1050/1350	0.075 [.02]/ 0.105 [.03]	0.020 [.00]/ 0.066 [.02]	1 HP [745]	Fan - Tap 1	CFM	1061	1000	935	877	828	774	778	739
						WATTS	293	302	314	325	344	363	390	416
				1 HP [745]	Low Heat - Tap 2	CFM	905	841	773	713	667	615	635	609
						WATTS	192	201	212	225	248	274	309	347
				1 HP [745]	High Heat - Tap 3	CFM	1332	1276	1217	1162	1108	1049	1026	964
						WATTS	469	480	490	501	511	519	530	535
				1 HP [745]	Cooling - Tap 4 *	CFM	1064	1002	938	879	831	776	780	741
						WATTS	295	304	315	327	345	365	391	417
				1 HP [745]	High Speed - Tap 5	CFM	1526	1481	1440	1392	1336	1285	1231	1175
						WATTS	531	540	552	563	578	588	598	610
RGECZR048 (4T)	1400/1800	0.110 [.03]/ 0.150 [.04]	0.074 [.02]/ 0.135 [.03]	1 HP [745]	Fan - Tap 1	CFM	1061	1000	935	877	828	774	778	739
						WATTS	293	302	314	325	344	363	390	416
				1 HP [745]	Low Heat - Tap 2	CFM	1073	1012	947	889	840	786	789	749
						WATTS	301	310	322	333	351	370	396	421
				1 HP [745]	High Heat - Tap 3	CFM	1452	1398	1342	1288	1232	1170	1136	1064
						WATTS	547	558	568	578	584	587	592	588
				1 HP [745]	Cooling - Tap 4 *	CFM	1434	1380	1323	1269	1213	1152	1120	1049
						WATTS	535	546	557	567	574	577	583	580
				1 HP [745]	High Speed - Tap 5	CFM	1795	1751	1710	1668	1629	1581	1538	1490
						WATTS	721	734	745	758	770	784	795	811
RGECZR060 (5T)	1750/2250	0.145 [.04]/ 0.195 [.05]	0.128 [.03]/ 0.205 [.05]	1.5 HP [1188]	Fan - Tap 1	CFM	1063	1000	909	849	796	743	695	644
						WATTS	311	319	331	341	355	365	375	384
				1.5 HP [1188]	Low Heat - Tap 2	CFM	1063	1000	909	849	796	743	695	644
						WATTS	311	319	331	341	355	365	375	384
				1.5 HP [1188]	High Heat - Tap 3	CFM	1444	1390	1335	1279	1220	1161	1090	1035
						WATTS	468	487	488	499	505	514	513	521
				1.5 HP [1188]	Cooling - Tap 4 *	CFM	1826	1795	1754	1714	1674	1636	1590	1540
						WATTS	681	700	720	738	757	774	787	799
				1.5 HP [1188]	High Speed - Tap 5	CFM	2127	2076	2045	2000	1966	1930	1894	1871
						WATTS	906	924	941	958	977	1008	1021	1049

- NOTES:** 1. Factory tap settings are marked with an asterisk *.
2. Pressure drops across the 3-5T CFM range (1050 - 2250)
Pressure drops across the 6T CFM range (2100-2700)
Wet coil: ~0.09 Inches W.C.
Downflow: ~0.1 Inches W.C.
Reheat coil: ~0.09 Inches W.C.

[] Designates Metric Conversions



3-5T — HIGH STATIC-HIGH GAS HEAT OPTION — SIDEFLOW (460V)

Unit Model (Tonnage)	Manufacturer Recommended Airflow Range (Min/Max) CFM	COMPONENT AIRFLOW RESISTANCE		Motor HP [W]	Motor Speed	CFM/ WATTS	External Static Pressure - Inches W.C. [kPa]							
		MERV 8 Filter	MERV 13 Filter				0.8 [.2]	0.9 [.22]	1 [.25]	1.1 [.27]	1.2 [.3]	1.3 [.32]	1.4 [.35]	1.5 [.37]
		Resistance - Inches of Water (Min/Max) [kPa]												
RGECZR036(3T)	1050/1350	0.075 [.02]/ 0.105 [.03]	0.020 [.00]/ 0.066 [.02]	1 HP [745]	Fan - Tap 1	CFM	958	895	828	768	722	669	684	653
						WATTS	226	235	247	259	280	304	337	371
				1 HP [745]	Low Heat - Tap 2	CFM	958	895	828	768	722	669	684	653
						WATTS	226	235	247	259	280	304	337	371
				1 HP [745]	High Heat - Tap 3	CFM	1591	1540	1486	1434	1375	1311	1263	1179
WATTS	637	649	659			668	670	667	664	649				
1 HP [745]	Cooling - Tap 4 *	CFM	1064	1002	938	879	831	776	780	741				
		WATTS	295	304	315	327	345	365	391	417				
1 HP [745]	High Speed - Tap 5	CFM	1526	1481	1440	1392	1336	1285	1231	1175				
		WATTS	531	540	552	563	578	588	598	610				
RGECZR048 (4T)	1400/1800	0.110 [.03]/ 0.150 [.04]	0.074 [.02]/ 0.135 [.03]	1 HP [745]	Fan - Tap 1	CFM	1061	1000	935	877	828	774	778	739
						WATTS	293	302	314	325	344	363	390	416
				1 HP [745]	Low Heat - Tap 2	CFM	1438	1384	1327	1272	1217	1156	1123	1052
						WATTS	537	549	559	569	576	579	585	581
				1 HP [745]	High Heat - Tap 3	CFM	1629	1579	1526	1474	1415	1350	1298	1211
WATTS	662	674	684			693	694	689	684	666				
1 HP [745]	Cooling - Tap 4 *	CFM	1434	1380	1323	1269	1213	1152	1120	1049				
		WATTS	535	546	557	567	574	577	583	580				
1 HP [745]	High Speed - Tap 5	CFM	1795	1751	1710	1668	1629	1581	1538	1490				
		WATTS	721	734	745	758	770	784	795	811				
RGECZR060 (5T)	1750/2250	0.145 [.04]/ 0.195 [.05]	0.128 [.03]/ 0.205 [.05]	1.5 HP [1188]	Fan - Tap 1	CFM	1063	1000	909	849	796	743	695	644
						WATTS	311	319	331	341	355	365	375	384
				1.5 HP [1188]	Low Heat - Tap 2	CFM	1063	1000	909	849	796	743	695	644
						WATTS	311	319	331	341	355	365	375	384
				1.5 HP [1188]	High Heat - Tap 3	CFM	1444	1390	1335	1279	1220	1161	1090	1035
WATTS	468	487	488			499	505	514	513	521				
1.5 HP [1188]	Cooling - Tap 4 *	CFM	1826	1795	1754	1714	1674	1636	1590	1540				
		WATTS	681	700	720	738	757	774	787	799				
1.5 HP [1188]	High Speed - Tap 5	CFM	2127	2076	2045	2000	1966	1930	1894	1871				
		WATTS	906	924	941	958	977	1008	1021	1049				

NOTES: 1. Factory tap settings are marked with an asterisk *.

2. Pressure drops across the 3-5T CFM range (1050 - 2250)

Pressure drops across the 6T CFM range (2100-2700)

Wet coil: ~0.09 Inches W.C.

Downflow: ~0.1 Inches W.C.

Reheat coil: ~0.09 Inches W.C.

[] Designates Metric Conversions



3-5T — LOW STATIC-LOW GAS HEAT OPTION — SIDEFLOW (460V)

Unit Model (Tonnage)	Manufacturer Recommended Airflow Range (Min/Max) CFM	COMPONENT AIRFLOW RESISTANCE		Motor HP [W]	Motor Speed	CFM/ WATTS	External Static Pressure - Inches W.C. [kPa]							
		MERV 8 Filter	MERV 13 Filter				0.1 [.02]	0.2 [.05]	0.3 [.07]	0.4 [.10]	0.5 [.12]	0.6 [.15]	0.7 [.17]	0.8 [.20]
		Resistance - Inches of Water (Min/Max) [kPa]												
RGECZR036(3T)	1050/1350	0.075 [.02]/ 0.105 [.03]	0.020 [.00]/ 0.066 [.02]	3/4 HP [559]	Fan - Tap 1	CFM	1110	956	870	792	709	630	549	512
						WATTS	79	78	84	91	98	104	110	111
				3/4 HP [559]	Low Heat - Tap 2	CFM	1112	959	873	795	712	633	552	514
						WATTS	80	79	85	92	99	105	111	112
				3/4 HP [559]	High Heat - Tap 3	CFM	1455	1346	1273	1203	1133	1065	997	951
						WATTS	236	242	253	263	273	282	291	298
				3/4 HP [559]	Cooling - Tap 4 *	CFM	1392	1276	1200	1128	1056	986	916	872
						WATTS	207	212	222	232	241	250	259	264
				3/4 HP [559]	High Speed - Tap 5	CFM	1745	1673	1618	1549	1497	1435	1388	1334
						WATTS	341	357	370	384	396	407	418	430
RGECZR048 (4T)	1400/1800	0.110 [.03]/ 0.150 [.04]	0.074 [.02]/ 0.135 [.03]	3/4 HP [559]	Fan - Tap 1	CFM	1110	956	870	792	709	630	549	512
						WATTS	79	78	84	91	98	104	110	111
				3/4 HP [559]	Low Heat - Tap 2	CFM	1253	1118	1037	963	885	811	735	694
						WATTS	144	146	154	163	171	178	185	189
				3/4 HP [559]	High Heat - Tap 3	CFM	1468	1362	1289	1219	1150	1082	1014	969
						WATTS	242	249	259	270	280	289	299	305
				3/4 HP [559]	Cooling - Tap 4 *	CFM	1738	1667	1604	1541	1482	1422	1365	1313
						WATTS	365	378	391	404	417	429	441	452
				3/4 HP [559]	High Speed - Tap 5	CFM	2081	2034	1981	1922	1873	1816	1769	1722
						WATTS	560	576	592	609	625	641	657	672
RGECZR060 (5T)	1750/2250	0.145 [.04]/ 0.195 [.05]	0.128 [.03]/ 0.205 [.05]	1 HP [745]	Fan - Tap 1	CFM	1235	1155	1077	1013	955	882	778	691
						WATTS	150	159	169	177	185	193	204	211
				1 HP [745]	Low Heat - Tap 2	CFM	1235	1155	1077	1013	955	882	778	691
						WATTS	150	159	169	177	185	193	204	211
				1 HP [745]	High Heat - Tap 3	CFM	1581	1515	1446	1384	1328	1272	1209	1150
						WATTS	273	286	299	310	321	330	341	351
				1 HP [745]	Cooling - Tap 4 *	CFM	2049	1996	1941	1887	1836	1788	1737	1687
						WATTS	591	608	625	642	657	672	686	699
				1 HP [745]	High Speed - Tap 5	CFM	2408	2367	2318	2267	2226	2177	2139	2089
						WATTS	861	884	900	921	939	957	974	996

- NOTES:** 1. Factory tap settings are marked with an asterisk *.
2. Pressure drops across the 3-5T CFM range (1050 - 2250)
Pressure drops across the 6T CFM range (2100-2700)
Wet coil: ~0.09 Inches W.C.
Downflow: ~0.1 Inches W.C.
Reheat coil: ~0.09 Inches W.C.

[] Designates Metric Conversions



3-5T – LOW STATIC-HIGH GAS HEAT OPTION – SIDEFLOW (460V)

Unit Model (Tonnage)	Manufacturer Recommended Airflow Range (Min/Max) CFM	COMPONENT AIRFLOW RESISTANCE		Motor HP [W]	Motor Speed	CFM/ WATTS	External Static Pressure - Inches W.C. [kPa]							
		MERV 8 Filter	MERV 13 Filter				0.1 [.02]	0.2 [.05]	0.3 [.07]	0.4 [.10]	0.5 [.12]	0.6 [.15]	0.7 [.17]	0.8 [.20]
		Resistance - Inches of Water (Min/Max) [kPa]												
RGECZR036(3T)	1050/1350	0.075 [.02]/ 0.105 [.03]	0.020 [.00]/ 0.066 [.02]	3/4 HP [559]	Fan - - Tap 1	CFM	1110	956	870	792	709	630	549	512
						WATTS	79	78	84	91	98	104	110	111
				3/4 HP [559]	Low Heat - - Tap 2	CFM	1255	1120	1040	965	887	813	738	697
						WATTS	145	147	155	163	172	179	186	190
				3/4 HP [559]	High Heat - - Tap 3	CFM	1621	1534	1467	1401	1337	1273	1212	1163
						WATTS	311	321	334	346	357	368	379	388
				3/4 HP [559]	Cooling - - Tap 4 *	CFM	1392	1276	1200	1128	1056	986	916	872
						WATTS	207	212	222	232	241	250	259	264
				3/4 HP [559]	High Speed - - Tap 5	CFM	1745	1673	1618	1549	1497	1435	1388	1334
						WATTS	341	357	370	384	396	407	418	430
RGECZR048 (4T)	1400/1800	0.110 [.03]/ 0.150 [.04]	0.074 [.02]/ 0.135 [.03]	3/4 HP [559]	Fan - - Tap 1	CFM	1110	956	870	792	709	630	549	512
						WATTS	79	78	84	91	98	104	110	111
				3/4 HP [559]	Low Heat - - Tap 2	CFM	1345	1222	1145	1072	998	926	854	812
						WATTS	186	190	199	208	217	225	234	239
				3/4 HP [559]	High Heat - - Tap 3	CFM	1755	1686	1624	1561	1503	1443	1387	1334
						WATTS	372	386	399	413	425	437	449	461
				3/4 HP [559]	Cooling - - Tap 4 *	CFM	1738	1667	1604	1541	1482	1422	1365	1313
						WATTS	365	378	391	404	417	429	441	452
				3/4 HP [559]	High Speed - - Tap 5	CFM	2081	2034	1981	1922	1873	1816	1769	1722
						WATTS	560	576	592	609	625	641	657	672
RGECZR060 (5T)	1750/2250	0.145 [.04]/ 0.195 [.05]	0.128 [.03]/ 0.205 [.05]	1 HP [745]	Fan - - Tap 1	CFM	1235	1155	1077	1013	955	882	778	691
						WATTS	150	159	169	177	185	193	204	211
				1 HP [745]	Low Heat - - Tap 2	CFM	1453	1382	1311	1246	1188	1131	1064	1002
						WATTS	186	198	209	219	228	236	246	255
				1 HP [745]	High Heat - - Tap 3	CFM	1975	1921	1863	1808	1756	1707	1654	1602
						WATTS	541	557	573	590	605	618	632	644
				1 HP [745]	Cooling - - Tap 4 *	CFM	2049	1996	1941	1887	1836	1788	1737	1687
						WATTS	591	608	625	642	657	672	686	699
				1 HP [745]	High Speed - - Tap 5	CFM	2408	2367	2318	2267	2226	2177	2139	2089
						WATTS	861	884	900	921	939	957	974	996

NOTES: 1. Factory tap settings are marked with an asterisk *.

2. Pressure drops across the 3-5T CFM range (1050 - 2250)

Pressure drops across the 6T CFM range (2100-2700)

Wet coil: ~0.09 Inches W.C.

Downflow: ~0.1 Inches W.C.

Reheat coil: ~0.09 Inches W.C.

[] Designates Metric Conversions



3-6T — HIGH STATIC-HIGH GAS HEAT OPTION — SIDEFLOW (208-230V)

Unit Model (Tonnage)	Manufacturer Recommended Airflow Range (Min/Max) CFM	COMPONENT AIRFLOW RESISTANCE		Motor HP [W]	Motor Speed	FL RPM	Motor Frame Size	CFM/ WATTS	External Static Pressure - Inches W.C. [kPa]							
		MERV 8 Filter	MERV 13 Filter						0.8 [.2]	0.9 [.22]	1 [.25]	1.1 [.27]	1.2 [.3]	1.3 [.32]	1.4 [.35]	1.5 [.37]
		Resistance - Inches of Water (Min/Max) [kPa]														
RGECZT036(3T)	1050/1350	0.075 [.02]/ 0.105 [.03]	0.020 [.00]/ 0.066 [.02]	1.5 HP [1188]	Fan/Low Heat - Tap 1	1400	48	CFM	1393	1338	1286	1232	1183	1158	1107	1058
								WATTS	474	485	497	509	520	529	540	549
				1.5 HP [1188]	High Heat - Tap 2	1400	48	CFM	1588	1538	1491	1442	1397	1363	1314	1268
								WATTS	591	603	617	630	644	655	668	680
1.5 HP [1188]	High Cooling - Tap 4 *	1400	48	CFM	1037	974	913	851	795	786	729	676				
				WATTS	261	270	279	287	294	298	306	312				
1.5 HP [1188]	High Speed - Tap 5	1400	48	CFM	1495	1443	1398	1352	1303	1252	1202	1147				
				WATTS	493	508	519	531	542	555	563	575				
RGECZT048 (4T)	1400/1800	0.110 [.03]/ 0.150 [.04]	0.074 [.02]/ 0.135 [.03]	1.5 HP [1188]	Fan/Low Heat - Tap 1	1400	48	CFM	1675	1627	1582	1535	1492	1444	1397	1352
								WATTS	643	656	671	684	699	712	725	738
				1.5 HP [1188]	High Heat - Tap 2	1400	48	CFM	1740	1693	1650	1605	1563	1516	1470	1426
								WATTS	681	695	711	725	740	754	768	781
1.5 HP [1188]	High Cooling - Tap 4 *	1400	48	CFM	1360	1305	1252	1198	1148	1097	1045	996				
				WATTS	454	466	477	488	499	510	520	530				
1.5 HP [1188]	High Speed - Tap 5	1400	48	CFM	1800	1762	1721	1676	1641	1587	1546	1512				
				WATTS	692	706	719	737	755	768	780	795				
RGECZT060 (5T)	1750/2250	0.145 [.04]/ 0.195 [.05]	0.128 [.03]/ 0.205 [.05]	1.5 HP [1188]	Fan/Low Heat - Tap 1	1400	48	CFM	1523	1471	1423	1372	1326	1277	1227	1180
								WATTS	552	564	577	590	602	614	626	637
				1.5 HP [1188]	High Heat - Tap 2	1400	48	CFM	1935	1893	1855	1814	1776	1732	1689	1647
								WATTS	798	813	831	846	864	880	895	910
1.5 HP [1188]	High Cooling - Tap 4 *	1400	48	CFM	1581	1531	1484	1435	1390	1341	1293	1247				
				WATTS	587	599	613	626	640	652	664	676				
1.5 HP [1188]	High Speed - Tap 5	1400	48	CFM	2151	2115	2082	2046	2013	1972	1932	1893				
				WATTS	928	945	964	981	1001	1020	1037	1054				
RGECZT072 (6T)	2100/2700	0.180 [.04]/ 0.240 [.06]	0.182 [.04]/ 0.275 [.07]	1.2 HP [895]	Fan/Low Heat - Tap 1	1300	48	CFM	1237	1182	1137	1076	996	961	906	853
								WATTS	364	373	386	396	405	409	421	431
				1.2 HP [895]	High Heat - Tap 2	1300	48	CFM	2043	2004	1953	1917	1879	1828	1783	1750
								WATTS	834	850	861	876	891	906	925	938
1.2 HP [895]	High Cool - Tap 4 *	1300	48	CFM	2036	1996	1945	1908	1871	1819	1773	1743				
				WATTS	820	835	845	860	877	890	910	924				
1.2 HP [895]	High Speed - Tap 5	1300	48	CFM	2462	2416	2371	2337	2294	2251	2214	2165				
				WATTS	1053	1063	1078	1085	1100	1113	1121	1135				

- NOTES:** 1. Factory tap settings are marked with an asterisk *.
2. Pressure drops across the 3-5T CFM range (1050 - 2250)
Pressure drops across the 6T CFM range (2100-2700)
Wet coil: ~0.09 Inches W.C.
Downflow: ~0.1 Inches W.C.
Reheat coil: ~0.09 Inches W.C.

[] Designates Metric Conversions



3-6T — HIGH STATIC-LOW GAS HEAT OPTION — SIDEFLOW (208-230V)

Unit Model (Tonnage)	Manufacturer Recommended Airflow Range (Min/Max) CFM	COMPONENT AIRFLOW RESISTANCE		Motor HP [W]	Motor Speed	FL RPM	Motor Frame Size	CFM/ WATTS	External Static Pressure - Inches W.C. [kPa]							
		MERV 8 Filter	MERV 13 Filter						0.8 [.2]	0.9 [.22]	1 [.25]	1.1 [.27]	1.2 [.3]	1.3 [.32]	1.4 [.35]	1.5 [.37]
		Resistance - Inches of Water (Min/Max) [kPa]														
RGECZT036(3T)	1050/1350	0.075 [.02]/ 0.105 [.03]	0.020 [.00]/ 0.066 [.02]	1.5 HP [1188]	Fan/Low Heat - Tap 1	1400	48	CFM	905	841	773	713	667	615	635	609
								WATTS	192	201	212	225	248	274	309	347
				1.5 HP [1188]	High Heat - Tap 2	1400	48	CFM	1332	1276	1217	1162	1108	1049	1026	964
								WATTS	469	480	490	501	511	519	530	535
				1.5 HP [1188]	High Cooling - Tap 4 *	1400	48	CFM	1064	1002	938	879	831	776	780	741
								WATTS	295	304	315	327	345	365	391	417
				1.5 HP [1188]	High Speed - Tap 5	1400	48	CFM	1526	1481	1440	1392	1336	1285	1231	1175
								WATTS	531	540	552	563	578	588	598	610
RGECZT048 (4T)	1400/1800	0.110 [.03]/ 0.150 [.04]	0.074 [.02]/ 0.135 [.03]	1.5 HP [1188]	Fan/Low Heat - Tap 1	1400	48	CFM	1073	1012	947	889	840	786	789	749
								WATTS	301	310	322	333	351	370	396	421
				1.5 HP [1188]	High Heat - Tap 2	1400	48	CFM	1452	1398	1342	1288	1232	1170	1136	1064
								WATTS	547	558	568	578	584	587	592	588
				1.5 HP [1188]	High Cooling - Tap 4 *	1400	48	CFM	1434	1380	1323	1269	1213	1152	1120	1049
								WATTS	535	546	557	567	574	577	583	580
				1.5 HP [1188]	High Speed - Tap 5	1400	48	CFM	1795	1751	1710	1668	1629	1581	1538	1490
								WATTS	721	734	745	758	770	784	795	811
RGECZT060 (5T)	1750/2250	0.145 [.04]/ 0.195 [.05]	0.128 [.03]/ 0.205 [.05]	1.5 HP [1188]	Fan/Low Heat - Tap 1	1400	48	CFM	1063	1000	909	849	796	743	695	644
								WATTS	311	319	331	341	355	365	375	384
				1.5 HP [1188]	High Heat - Tap 2	1400	48	CFM	1444	1390	1335	1279	1220	1161	1090	1035
								WATTS	468	487	488	499	505	514	513	521
				1.5 HP [1188]	High Cooling - Tap 4 *	1400	48	CFM	1826	1795	1754	1714	1674	1636	1590	1540
								WATTS	681	700	720	738	757	774	787	799
				1.5 HP [1188]	High Speed - Tap 5	1400	48	CFM	2127	2076	2045	2000	1966	1930	1894	1871
								WATTS	906	924	941	958	977	1008	1021	1049
RGECZT072 (6T)	2100/2700	0.180 [.04]/ 0.240 [.06]	0.182 [.04]/ 0.275 [.07]	1.2 HP [895]	Fan/Low Heat - Tap 1	1300	48	CFM	1108	1035	979	918	843	789	732	678
								WATTS	323	330	341	349	357	365	375	385
				1.2 HP [895]	High Heat - Tap 2	1300	48	CFM	1526	1477	1427	1368	1336	1287	1235	1190
								WATTS	518	531	539	551	564	574	584	594
				1.2 HP [895]	High Cool - Tap 4 *	1300	48	CFM	2036	1996	1945	1908	1871	1819	1773	1743
								WATTS	820	835	845	860	877	890	910	924
				1.2 HP [895]	High Speed - Tap 5	1300	48	CFM	2462	2416	2371	2337	2294	2251	2214	2165
								WATTS	1053	1063	1078	1085	1100	1113	1121	1135

- NOTES:** 1. Factory tap settings are marked with an asterisk *.
 2. Pressure drops across the 3-5T CFM range (1050 - 2250)
 Pressure drops across the 6T CFM range (2100-2700)
 Wet coil: ~0.09 Inches W.C.
 Downflow: ~0.1 Inches W.C.
 Reheat coil: ~0.09 Inches W.C.

[] Designates Metric Conversions



3-6T — LOW STATIC-LOW GAS HEAT OPTION — SIDEFLOW (208-230V)

Unit Model (Tonnage)	Manufacturer Recommended Airflow Range (Min/Max) CFM	COMPONENT AIRFLOW RESISTANCE		Motor HP [W]	Motor Speed	FL RPM	Motor Frame Size	CFM/ WATTS	External Static Pressure - Inches W.C. [kPa]							
		MERV 8 Filter	MERV 13 Filter						0.1 [.02]	0.2 [.05]	0.3 [.07]	0.4 [.10]	0.5 [.12]	0.6 [.15]	0.7 [.17]	0.8 [.20]
		Resistance - Inches of Water (Min/Max) [kPa]														
RGECZT036(3T)	1050/1350	0.075 [.02]/ 0.105 [.03]	0.020 [.00]/ 0.066 [.02]	3/4 HP [559]	Fan/Low Heat - Tap 1	1050	48	CFM	1052	970	895	814	733	676	603	550
								WATTS	101	109	117	125	132	135	142	145
				3/4 HP [559]	High Heat - Tap 2	1050	48	CFM	1314	1239	1172	1101	1031	974	908	856
								WATTS	184	193	203	212	221	228	237	243
				3/4 HP [559]	High Cooling - Tap 4 *	1050	48	CFM	1170	1091	1020	943	867	810	740	688
								WATTS	138	147	156	164	172	177	185	189
				3/4 HP [559]	High Speed - Tap 5	1050	48	CFM	1513	1445	1389	1322	1269	1210	1153	1097
								WATTS	232	242	252	264	275	285	295	302
RGECZT048 (4T)	1400/1800	0.110 [.03]/ 0.150 [.04]	0.074 [.02]/ 0.135 [.03]	3/4 HP [559]	Fan/Low Heat - Tap 1	1050	48	CFM	1047	965	890	808	727	670	597	544
								WATTS	100	108	116	123	130	134	140	143
				3/4 HP [559]	High Heat - Tap 2	1050	48	CFM	1349	1275	1209	1139	1071	1014	949	897
								WATTS	195	204	214	224	233	240	249	256
				3/4 HP [559]	High Cooling - Tap 4 *	1050	48	CFM	1507	1438	1376	1313	1250	1193	1133	1081
								WATTS	244	255	265	276	286	296	307	316
				3/4 HP [559]	High Speed - Tap 5	1050	48	CFM	1876	1817	1766	1718	1671	1614	1564	1512
								WATTS	360	373	386	399	411	427	440	454
RGECZT060 (5T)	1750/2250	0.145 [.04]/ 0.195 [.05]	0.128 [.03]/ 0.205 [.05]	1 HP [745]	Fan/Low Heat - Tap 1	1050	48	CFM	1322	1247	1181	1117	1053	986	921	852
								WATTS	130	139	149	158	168	178	187	194
				1 HP [745]	High Heat - Tap 2	1050	48	CFM	1611	1546	1485	1427	1367	1308	1250	1190
								WATTS	298	309	321	331	345	356	367	377
				1 HP [745]	High Cooling - Tap 4 *	1050	48	CFM	1954	1899	1845	1792	1739	1688	1639	1590
								WATTS	496	510	524	537	553	566	580	594
				1 HP [745]	High Speed - Tap 5	1050	48	CFM	2298	2254	2199	2154	2106	2059	2014	1976
								WATTS	929	956	981	1001	1030	1056	1081	1105
RGECZT072 (6T)	2100/2700	0.180 [.04]/ 0.240 [.06]	0.182 [.04]/ 0.275 [.07]	1.2 HP [895]	Fan/Low Heat - Tap 1	1300	48	CFM	1384	1319	1249	1188	1127	1066	1006	947
								WATTS	192	204	215	225	240	245	255	265
				1.2 HP [895]	High Heat - Tap 2	1300	48	CFM	1600	1544	1487	1433	1379	1326	1269	1216
								WATTS	280	293	305	323	333	342	355	362
				1.2 HP [895]	High Cool - Tap 4 *	1300	48	CFM	2331	2290	2245	2204	2159	2118	2072	2036
								WATTS	700	718	730	745	760	782	797	820
				1.2 HP [895]	High Speed - Tap 5	1300	48	CFM	2363	2330	2280	2237	2198	2164	2110	2071
								WATTS	771	792	808	824	843	860	875	890

- NOTES:** 1. Factory tap settings are marked with an asterisk *.
2. Pressure drops across the 3-5T CFM range (1050 - 2250)
Pressure drops across the 6T CFM range (2100-2700)
Wet coil: ~0.09 Inches W.C.
Downflow: ~0.1 Inches W.C.
Reheat coil: ~0.09 Inches W.C.

[] Designates Metric Conversions



3-6T — HIGH STATIC-LOW GAS HEAT OPTION — SIDEFLOW (208-230V)

Unit Model (Tonnage)	Manufacturer Recommended Airflow Range (Min/Max) CFM	COMPONENT AIRFLOW RESISTANCE		Motor HP [W]	Motor Speed	FL RPM	Motor Frame Size	CFM/ WATTS	External Static Pressure - Inches W.C. [kPa]							
		MERV 8 Filter	MERV 13 Filter						0.8 [.2]	0.9 [.22]	1 [.25]	1.1 [.27]	1.2 [.3]	1.3 [.32]	1.4 [.35]	1.5 [.37]
		Resistance - Inches of Water (Min/Max) [kPa]														
RGECZT036 (3T)	1050/1350	0.075 [.02]/ 0.105 [.03]	0.020 [.00]/ 0.066 [.02]	1.5 HP [1188]	Fan/Low Heat - Tap 1	1400	48	CFM	1189	1111	1041	964	889	832	763	711
								WATTS	145	153	162	171	179	184	192	197
				1.5 HP [1188]	High Heat - Tap 2	1400	48	CFM	1370	1297	1232	1163	1095	1038	974	922
								WATTS	201	211	221	231	240	248	257	264
1.5 HP [1188]	High Cooling - Tap 4 *	1400	48	CFM	1170	1091	1020	943	867	810	740	688				
				WATTS	138	147	156	164	172	177	185	189				
1.5 HP [1188]	High Speed - Tap 5	1400	48	CFM	1513	1445	1389	1322	1269	1210	1153	1097				
				WATTS	232	242	252	264	275	285	295	302				
RGECZT048 (4T)	1400/1800	0.110 [.03]/ 0.150 [.04]	0.074 [.02]/ 0.135 [.03]	1.5 HP [1188]	Fan/Low Heat - Tap 1	1400	48	CFM	1288	1212	1144	1072	1001	944	878	825
								WATTS	175	185	194	203	212	219	227	233
				1.5 HP [1188]	High Heat - Tap 2	1400	48	CFM	1567	1499	1439	1378	1318	1261	1203	1151
								WATTS	263	274	285	296	306	317	328	338
1.5 HP [1188]	High Cooling - Tap 4 *	1400	48	CFM	1507	1438	1376	1313	1250	1193	1133	1081				
				WATTS	244	255	265	276	286	296	307	316				
1.5 HP [1188]	High Speed - Tap 5	1400	48	CFM	1876	1817	1766	1718	1671	1614	1564	1512				
				WATTS	360	373	386	399	411	427	440	454				
RGECZT060 (5T)	1750/2250	0.145 [.04]/ 0.195 [.05]	0.128 [.03]/ 0.205 [.05]	1.5 HP [1188]	Fan/Low Heat - Tap 1	1400	48	CFM	1586	1519	1459	1399	1339	1279	1221	1161
								WATTS	283	294	305	316	329	340	351	361
				1.5 HP [1188]	High Heat - Tap 2	1400	48	CFM	1852	1794	1738	1684	1628	1575	1523	1471
								WATTS	437	450	463	476	491	503	516	529
1.5 HP [1188]	High Cooling - Tap 4 *	1400	48	CFM	1954	1899	1845	1792	1739	1688	1639	1590				
				WATTS	496	510	524	537	553	566	580	594				
1.5 HP [1188]	High Speed - Tap 5	1400	48	CFM	2298	2254	2199	2154	2106	2059	2014	1976				
				WATTS	929	956	981	1001	1030	1056	1081	1105				
RGECZT072 (6T)	2100/2700	0.180 [.04]/ 0.240 [.06]	0.182 [.04]/ 0.275 [.07]	1.2 HP [895]	Fan/Low Heat - Tap 1	1300	48	CFM	1384	1319	1249	1188	1127	1066	1006	947
								WATTS	192	204	215	225	240	245	255	265
				1.2 HP [895]	High Heat - Tap 2	1300	48	CFM	1874	1833	1778	1730	1680	1630	1584	1539
								WATTS	421	435	450	466	480	495	510	525
1.2 HP [895]	High Cool - Tap 4 *	1300	48	CFM	2331	2290	2245	2204	2159	2118	2072	2036				
				WATTS	700	718	730	745	760	782	797	820				
1.2 HP [895]	High Speed - Tap 5	1300	48	CFM	2363	2330	2280	2237	2198	2164	2110	2071				
				WATTS	771	792	808	824	843	860	875	890				

NOTES: 1. Factory tap settings are marked with an asterisk *.

2. Pressure drops across the 3-5T CFM range (1050 - 2250)

Pressure drops across the 6T CFM range (2100-2700)

Wet coil: ~0.09 Inches W.C.

Downflow: ~0.1 Inches W.C.

Reheat coil: ~0.09 Inches W.C.

[] Designates Metric Conversions



3-6T — HIGH STATIC-LOW GAS HEAT OPTION — SIDEFLOW (460V)

Unit Model (Tonnage)	Manufacturer Recommended Airflow Range (Min/Max) CFM	COMPONENT AIRFLOW RESISTANCE		Motor HP [W]	Motor Speed	FL RPM	Motor Frame Size	CFM/ WATTS	External Static Pressure - Inches W.C. [kPa]							
		MERV 8 Filter	MERV 13 Filter						0.8 [.2]	0.9 [.22]	1 [.25]	1.1 [.27]	1.2 [.3]	1.3 [.32]	1.4 [.35]	1.5 [.37]
		Resistance - Inches of Water (Min/Max) [kPa]														
RGECZT036(3T)	1050/1350	0.075 [.02]/ 0.105 [.03]	0.020 [.00]/ 0.066 [.02]	1 HP	Fan/Low Heat - Tap 1	1250	48	CFM	905	841	773	713	667	615	635	609
								WATTS	192	201	212	225	248	274	309	347
				1 HP	High Heat - Tap 2	1250	48	CFM	1332	1276	1217	1162	1108	1049	1026	964
								WATTS	469	480	490	501	511	519	530	535
				1 HP	High Cooling - Tap 4 *	1250	48	CFM	1064	1002	938	879	831	776	780	741
								WATTS	295	304	315	327	345	365	391	417
				1 HP	High Speed - Tap 5	1250	48	CFM	1526	1481	1440	1392	1336	1285	1231	1175
								WATTS	531	540	552	563	578	588	598	610
RGECZT048 (4T)	1400/1800	0.110 [.03]/ 0.150 [.04]	0.074 [.02]/ 0.135 [.03]	1 HP	Fan/Low Heat - Tap 1	1250	48	CFM	1073	1012	947	889	840	786	789	749
								WATTS	301	310	322	333	351	370	396	421
				1 HP	High Heat - Tap 2	1250	48	CFM	1452	1398	1342	1288	1232	1170	1136	1064
								WATTS	547	558	568	578	584	587	592	588
				1 HP	High Cooling - Tap 4 *	1250	48	CFM	1434	1380	1323	1269	1213	1152	1120	1049
								WATTS	535	546	557	567	574	577	583	580
				1 HP	High Speed - Tap 5	1250	48	CFM	1795	1751	1710	1668	1629	1581	1538	1490
								WATTS	721	734	745	758	770	784	795	811
RGECZT060 (5T)	1750/2250	0.145 [.04]/ 0.195 [.05]	0.128 [.03]/ 0.205 [.05]	1.2 HP [895]	Fan/Low Heat - Tap 1	1300	48	CFM	1063	1000	909	849	796	743	695	644
								WATTS	311	319	331	341	355	365	375	384
				1.2 HP [895]	High Heat - Tap 2	1300	48	CFM	1444	1390	1335	1279	1220	1161	1090	1035
								WATTS	468	487	488	499	505	514	513	521
				1.2 HP [895]	High Cooling - Tap 4 *	1300	48	CFM	1826	1795	1754	1714	1674	1636	1590	1540
								WATTS	681	700	720	738	757	774	787	799
				1.2 HP [895]	High Speed - Tap 5	1300	48	CFM	2127	2076	2045	2000	1966	1930	1894	1871
								WATTS	906	924	941	958	977	1008	1021	1049
RGECZT072 (6T)	2100/2700	0.180 [.04]/ 0.240 [.06]	0.182 [.04]/ 0.275 [.07]	1.2 HP [895]	Fan/Low Heat - Tap 1	1300	48	CFM	1049	965	903	842	771	718	660	606
								WATTS	301	308	318	325	332	339	348	358
				1.2 HP [895]	High Heat - Tap 2	1300	48	CFM	1355	1302	1252	1201	1140	1090	1038	987
								WATTS	430	439	450	459	471	481	491	501
				1.2 HP [895]	High Cool - Tap 4 *	1300	48	CFM	2036	1996	1945	1908	1871	1819	1773	1743
								WATTS	820	835	845	860	877	890	910	924
				1.2 HP [895]	High Speed - Tap 5	1300	48	CFM	2462	2416	2371	2337	2294	2251	2214	2165
								WATTS	1053	1063	1078	1085	1100	1113	1121	1135

- NOTES:** 1. Factory tap settings are marked with an asterisk *.
 2. Pressure drops across the 3-5T CFM range (1050 - 2250)
 Pressure drops across the 6T CFM range (2100-2700)
 Wet coil: ~0.09 Inches W.C.
 Downflow: ~0.1 Inches W.C.
 Reheat coil: ~0.09 Inches W.C.

[] Designates Metric Conversions



3-6T — HIGH STATIC-HIGH GAS HEAT OPTION — SIDEFLOW (460V)

Unit Model (Tonnage)	Manufacturer Recommended Airflow Range (Min/Max) CFM	COMPONENT AIRFLOW RESISTANCE		Motor HP [W]	Motor Speed	FL RPM	Motor Frame Size	CFM/ WATTS	External Static Pressure - Inches W.C. [kPa]							
		MERV 8 Filter	MERV 13 Filter						0.8 [.2]	0.9 [.22]	1 [.25]	1.1 [.27]	1.2 [.3]	1.3 [.32]	1.4 [.35]	1.5 [.37]
		Resistance - Inches of Water (Min/Max) [kPa]														
RGECZT036(3T)	1050/1350	0.075 [.02]/ 0.105 [.03]	0.020 [.00]/ 0.066 [.02]	1 HP	Fan/Low Heat - Tap 1	1250	48	CFM	958	895	828	768	722	669	684	653
								WATTS	226	235	247	259	280	304	337	371
				1 HP	High Heat - Tap 2	1250	48	CFM	1591	1540	1486	1434	1375	1311	1263	1179
								WATTS	637	649	659	668	670	667	664	649
				1 HP	High Cooling - Tap 4 *	1250	48	CFM	1064	1002	938	879	831	776	780	741
								WATTS	295	304	315	327	345	365	391	417
				1 HP	High Speed - Tap 5	1250	48	CFM	1526	1481	1440	1392	1336	1285	1231	1175
								WATTS	531	540	552	563	578	588	598	610
RGECZT048 (4T)	1400/1800	0.110 [.03]/ 0.150 [.04]	0.074 [.02]/ 0.135 [.03]	1 HP	Fan/Low Heat - Tap 1	1250	48	CFM	1438	1384	1327	1272	1217	1156	1123	1052
								WATTS	537	549	559	569	576	579	585	581
				1 HP	High Heat - Tap 2	1250	48	CFM	1629	1579	1526	1474	1415	1350	1298	1211
								WATTS	662	674	684	693	694	689	684	666
				1 HP	High Cooling - Tap 4 *	1250	48	CFM	1434	1380	1323	1269	1213	1152	1120	1049
								WATTS	535	546	557	567	574	577	583	580
				1 HP	High Speed - Tap 5	1250	48	CFM	1795	1751	1710	1668	1629	1581	1538	1490
								WATTS	721	734	745	758	770	784	795	811
RGECZT060 (5T)	1750/2250	0.145 [.04]/ 0.195 [.05]	0.128 [.03]/ 0.205 [.05]	1.2 HP [895]	Fan/Low Heat - Tap 1	1300	48	CFM	1063	1000	909	849	796	743	695	644
								WATTS	311	319	331	341	355	365	375	384
				1.2 HP [895]	High Heat - Tap 2	1300	48	CFM	1444	1390	1335	1279	1220	1161	1090	1035
								WATTS	468	487	488	499	505	514	513	521
				1.2 HP [895]	High Cooling - Tap 4 *	1300	48	CFM	1826	1795	1754	1714	1674	1636	1590	1540
								WATTS	681	700	720	738	757	774	787	799
				1.2 HP [895]	High Speed - Tap 5	1300	48	CFM	2127	2076	2045	2000	1966	1930	1894	1871
								WATTS	906	924	941	958	977	1008	1021	1049
RGECZT072 (6T)	2100/2700	0.180 [.04]/ 0.240 [.06]	0.182 [.04]/ 0.275 [.07]	1.2 HP [895]	Fan/Low Heat - Tap 1	1300	48	CFM	1237	1182	1137	1076	996	961	906	853
								WATTS	364	373	386	396	405	409	421	431
				1.2 HP [895]	High Heat - Tap 2	1300	48	CFM	2043	2004	1953	1917	1879	1828	1783	1750
								WATTS	834	850	861	876	891	906	925	938
				1.2 HP [895]	High Cool - Tap 4 *	1300	48	CFM	2036	1996	1945	1908	1871	1819	1773	1743
								WATTS	820	835	845	860	877	890	910	924
				1.2 HP [895]	High Speed - Tap 5	1300	48	CFM	2462	2416	2371	2337	2294	2251	2214	2165
								WATTS	1053	1063	1078	1085	1100	1113	1121	1135

- NOTES:** 1. Factory tap settings are marked with an asterisk *.
 2. Pressure drops across the 3-5T CFM range (1050 - 2250)
 Pressure drops across the 6T CFM range (2100-2700)
 Wet coil: ~0.09 Inches W.C.
 Downflow: ~0.1 Inches W.C.
 Reheat coil: ~0.09 Inches W.C.

[] Designates Metric Conversions



3-6T — LOW STATIC-LOW GAS HEAT OPTION — SIDEFLOW (460V)

Unit Model (Tonnage)	Manufacturer Recommended Airflow Range (Min/Max) CFM	COMPONENT AIRFLOW RESISTANCE		Motor HP [W]	Motor Speed	FL RPM	Motor Frame Size	CFM/ WATTS	External Static Pressure - Inches W.C. [kPa]							
		MERV 8 Filter	MERV 13 Filter						0.1 [.02]	0.2 [.05]	0.3 [.07]	0.4 [.10]	0.5 [.12]	0.6 [.15]	0.7 [.17]	0.8 [.20]
		Resistance - Inches of Water (Min/Max) [kPa]														
RGECZT036(3T)	1050/1350	0.075 [.02]/ 0.105 [.03]	0.020 [.00]/ 0.066 [.02]	3/4 HP [559]	Fan/Low Heat - Tap 1	1250	48	CFM	1112	959	873	795	712	633	552	514
								WATTS	80	79	85	92	99	105	111	112
				3/4 HP [559]	High Heat - Tap 2	1250	48	CFM	1455	1346	1273	1203	1133	1065	997	951
								WATTS	236	242	253	263	273	282	291	298
3/4 HP [559]	High Cooling - Tap 4 *	1250	48	CFM	1392	1276	1200	1128	1056	986	916	872				
				WATTS	207	212	222	232	241	250	259	264				
3/4 HP [559]	High Speed - Tap 5	1250	48	CFM	1745	1673	1618	1549	1497	1435	1388	1334				
				WATTS	341	357	370	384	396	407	418	430				
RGECZT048 (4T)	1400/1800	0.110 [.03]/ 0.150 [.04]	0.074 [.02]/ 0.135 [.03]	3/4 HP [559]	Fan/Low Heat - Tap 1	1250	48	CFM	1253	1118	1037	963	885	811	735	694
								WATTS	144	146	154	163	171	178	185	189
				3/4 HP [559]	High Heat - Tap 2	1250	48	CFM	1468	1362	1289	1219	1150	1082	1014	969
								WATTS	242	249	259	270	280	289	299	305
3/4 HP [559]	High Cooling - Tap 4 *	1250	48	CFM	1738	1667	1604	1541	1482	1422	1365	1313				
				WATTS	365	378	391	404	417	429	441	452				
3/4 HP [559]	High Speed - Tap 5	1250	48	CFM	2081	2034	1981	1922	1873	1816	1769	1722				
				WATTS	560	576	592	609	625	641	657	672				
RGECZT060 (5T)	1750/2250	0.145 [.04]/ 0.195 [.05]	0.128 [.03]/ 0.205 [.05]	1 HP [745]	Fan/Low Heat - Tap 1	1250	48	CFM	1235	1155	1077	1013	955	882	778	691
								WATTS	150	159	169	177	185	193	204	211
				1 HP [745]	High Heat - Tap 2	1250	48	CFM	1581	1515	1446	1384	1328	1272	1209	1150
								WATTS	273	286	299	310	321	330	341	351
1 HP [745]	High Cooling - Tap 4 *	1250	48	CFM	2049	1996	1941	1887	1836	1788	1737	1687				
				WATTS	591	608	625	642	657	672	686	699				
1 HP [745]	High Speed - Tap 5	1250	48	CFM	2408	2367	2318	2267	2226	2177	2139	2089				
				WATTS	861	884	900	921	939	957	974	996				
RGECZT072 (6T)	2100/2700	0.180 [.04]/ 0.240 [.06]	0.182 [.04]/ 0.275 [.07]	1.2 HP [895]	Fan/Low Heat - Tap 1	1300	48	CFM	1384	1319	1249	1188	1127	1066	1006	947
								WATTS	192	204	215	225	240	245	255	265
				1.2 HP [895]	High Heat - Tap 2	1300	48	CFM	1470	1409	1344	1286	1228	1170	1111	1054
								WATTS	227	239	251	264	277	295	303	
1.2 HP [895]	High Cool - Tap 4 *	1300	48	CFM	2331	2290	2245	2204	2159	2118	2072	2036				
				WATTS	700	718	730	745	760	782	797	820				
1.2 HP [895]	High Speed - Tap 5	1300	48	CFM	2363	2330	2280	2237	2198	2164	2110	2071				
				WATTS	771	792	808	824	843	860	875	890				

- NOTES:** 1. Factory tap settings are marked with an asterisk *.
 2. Pressure drops across the 3-5T CFM range (1050 - 2250)
 Pressure drops across the 6T CFM range (2100-2700)
 Wet coil: ~0.09 Inches W.C.
 Downflow: ~0.1 Inches W.C.
 Reheat coil: ~0.09 Inches W.C.

[] Designates Metric Conversions



3-6T – LOW STATIC-HIGH GAS HEAT OPTION – SIDEFLOW (460V)

Unit Model (Tonnage)	Manufacturer Recommended Airflow Range (Min/Max) CFM	COMPONENT AIRFLOW RESISTANCE		Motor HP [W]	Motor Speed	FL RPM	Motor Frame Size	CFM/ WATTS	External Static Pressure - Inches W.C. [kPa]							
		MERV 8 Filter	MERV 13 Filter						0.1 [.02]	0.2 [.05]	0.3 [.07]	0.4 [.10]	0.5 [.12]	0.6 [.15]	0.7 [.17]	0.8 [.20]
		Resistance - Inches of Water (Min/Max) [kPa]														
RGECZT036(3T)	1050/1350	0.075 [.02]/ 0.105 [.03]	0.020 [.00]/ 0.066 [.02]	3/4 HP [559]	Fan/Low Heat - Tap 1	1250	48	CFM	1255	1120	1040	965	887	813	738	697
								WATTS	145	147	155	163	172	179	186	190
				3/4 HP [559]	High Heat - Tap 2	1250	48	CFM	1621	1534	1467	1401	1337	1273	1212	1163
								WATTS	311	321	334	346	357	368	379	388
				3/4 HP [559]	High Cooling - Tap 4 *	1250	48	CFM	1392	1276	1200	1128	1056	986	916	872
								WATTS	207	212	222	232	241	250	259	264
				3/4 HP [559]	High Speed - Tap 5	1250	48	CFM	1745	1673	1618	1549	1497	1435	1388	1334
								WATTS	341	357	370	384	396	407	418	430
RGECZT048 (4T)	1400/1800	0.110 [.03]/ 0.150 [.04]	0.074 [.02]/ 0.135 [.03]	3/4 HP [559]	Fan/Low Heat - Tap 1	1250	48	CFM	1345	1222	1145	1072	998	926	854	812
								WATTS	186	190	199	208	217	225	234	239
				3/4 HP [559]	High Heat - Tap 2	1250	48	CFM	1755	1686	1624	1561	1503	1443	1387	1334
								WATTS	372	386	399	413	425	437	449	461
				3/4 HP [559]	High Cooling - Tap 4 *	1250	48	CFM	1738	1667	1604	1541	1482	1422	1365	1313
								WATTS	365	378	391	404	417	429	441	452
				3/4 HP [559]	High Speed - Tap 5	1250	48	CFM	2081	2034	1981	1922	1873	1816	1769	1722
								WATTS	560	576	592	609	625	641	657	672
RGECZT060 (5T)	1750/2250	0.145 [.04]/ 0.195 [.05]	0.128 [.03]/ 0.205 [.05]	1 HP [745]	Fan/Low Heat - Tap 1	1250	48	CFM	1453	1382	1311	1246	1188	1131	1064	1002
								WATTS	186	198	209	219	228	236	246	255
				1 HP [745]	High Heat - Tap 2	1250	48	CFM	1975	1921	1863	1808	1756	1707	1654	1602
								WATTS	541	557	573	590	605	618	632	644
				1 HP [745]	High Cooling - Tap 4 *	1250	48	CFM	2049	1996	1941	1887	1836	1788	1737	1687
								WATTS	591	608	625	642	657	672	686	699
				1 HP [745]	High Speed - Tap 5	1250	48	CFM	2408	2367	2318	2267	2226	2177	2139	2089
								WATTS	861	884	900	921	939	957	974	996
RGECZT072 (6T)	2100/2700	0.180 [.04]/ 0.240 [.06]	0.182 [.04]/ 0.275 [.07]	1.2 HP [895]	Fan/Low Heat - Tap 1	1300	48	CFM	1384	1319	1249	1188	1127	1066	1006	947
								WATTS	192	204	215	225	240	245	255	265
				1.2 HP [895]	High Heat - Tap 2	1300	48	CFM	1863	1821	1765	1717	1650	1617	1571	1526
								WATTS	413	428	442	459	474	488	503	518
				1.2 HP [895]	High Cool - Tap 4 *	1300	48	CFM	2331	2290	2245	2204	2159	2118	2072	2036
								WATTS	700	718	730	745	760	782	797	820
				1.2 HP [895]	High Cool - Tap 4	1300	48	CFM	2363	2330	2280	2237	2198	2164	2110	2071
								WATTS	771	792	808	824	843	860	875	890

- NOTES:** 1. Factory tap settings are marked with an asterisk *.
 2. Pressure drops across the 3-5T CFM range (1050 - 2250)
 Pressure drops across the 6T CFM range (2100-2700)
 Wet coil: ~0.09 Inches W.C.
 Downflow: ~0.1 Inches W.C.
 Reheat coil: ~0.09 Inches W.C.

[] Designates Metric Conversions

ELECTRICAL DATA – RGECZR SERIES

		036ACT07 036ACT10	036ACU07 036ACU10	036ADT07 036ADT10	036ADU07 036ADU10	036AJT07 036AJT10	036AYT07 036AYT10	036AYU07 036AYU10	048ACT07 048ACT12	048ACU07 048ACU12
Unit Information	Unit Operating Voltage Range	187-253	187-253	418-506	418-506	187-253	523-632	523-632	187-253	187-253
	Volts	208/230	208/230	460	460	208/230	575	575	208/230	208/230
	Phase	3	3	3	3	1	3	3	3	3
	Hz	60	60	60	60	60	60	60	60	60
	Minimum Circuit Ampacity	19	25	11	10	25	12	19	25	31
	Minimum Overcurrent Protection Device Size	25	30	15	15	30	15	25	30	30
	Maximum Overcurrent Protection Device Size	25	35	15	15	35	15	30	35	40
Compressor Motor	No.	1	1	1	1	1	1	1	1	1
	Volts	208/230	208/230	480	480	208/230	575	575	208/230	208/230
	Phase	3	3	3	3	1	3	3	3	3
	RPM	3450	3450	3450	3450	3450	3450	3450	3450	3450
	HP, Compressor	2 1/2	2 1/2	2 1/2	2 1/2	2 1/2	2 1/2	2 1/2	3 1/2	3 1/2
	Amps (RLA), Comp.	9	9	5.6	5.6	14.1	3.8	3.8	13.1	13.1
	Amps (LRA), Comp.	71	71	38	38	77	36.5	36.5	83.1	83.1
Condenser Motor	No.	1	1	1	1	1	1	1	1	1
	Volts	208/230	208/230	480	480	208/230	575	575	208/230	208/230
	Phase	1	1	1	1	1	1	1	1	1
	HP	1/5	1/5	1/5	1/5	1/5	1/5	1/5	1/2	1/2
	Amps (FLA, each)	1.2	1.2	0.8	0.8	1.2	0.55	0.55	2.5	2.5
	Amps (LRA, each)	2.3	2.3	1.4	1.4	2.3	1.1	1.1	5.6	5.6
Evaporator Fan	No.	1	1	1	1	1	1	1	1	1
	Volts	208/230	208/230	460	460	208/230	208/230	208/230	208/230	208/230
	Phase	1	1	1	1	1	1	1	1	1
	HP	3/4	1 1/2	3/4	1	3/4	3/4	1 1/2	3/4	1 1/2
	Amps (FLA, each)	6	11.5	3.2	2.1	6	6	11.5	6	11.5
Amps (LRA, each)										

ELECTRICAL DATA – RGEZC SERIES

		048ADT07 048ADT12	048ADU07 048ADU12	048AJT07 048AJT12	048AYT07 048AYT12	048AYU07 048AYU12	060ACT07 060ACT12	060ACU07 060ACU12	060ADT07 060ADT12	060ADU07 060ADU12
Unit Information	Unit Operating Voltage Range	418-506	418-506	187-253	523-632	523-632	187-253	187-253	418-506	418-506
	Volts	460	460	208/230	575	575	208/230	208/230	460	460
	Phase	3	3	1	3	3	3	3	3	3
	Hz	60	60	60	60	60	60	60	60	60
	Minimum Circuit Ampacity	14	13	34	13	20	30	34	16	16
	Minimum Overcurrent Protection Device Size	15	15	40	15	25	35	40	20	20
Maximum Overcurrent Protection Device Size	15	15	50	15	30	45	45	20	20	
Compressor Motor	No.	1	1	1	1	1	1	1	1	1
	Volts	460	460	208/230	575	575	208/230	208/230	460	460
	Phase	3	3	1	3	3	3	3	3	3
	RPM	3450	3450	3450	3450	3450	3450	3450	3450	3450
	HP, Compressor	3 1/2	3 1/2	3 1/2	3 1/2	3 1/2	4	4	4	4
	Amps (RLA), Comp.	6.1	6.1	19.9	4.4	4.4	15.9	15.9	7.1	7.1
	Amps (LRA), Comp.	41	41	109	33	33	110	110	52	52
Condenser Motor	No.	1	1	1	1	1	1	1	1	1
	Volts	460	460	208/230	575	575	208/230	208/230	460	460
	Phase	1	1	1	1	1	1	1	1	1
	HP	1/2	1/2	1/2	1/2	1/2	1/2	1/2	1/2	1/2
	Amps (FLA, each)	2.5	2.5	2.5	1.1	1.1	2.5	2.5	2.5	2.5
	Amps (LRA, each)	3.1	3.1	5.6	2.5	2.5	5.6	5.6	3.1	3.1
Evaporator Fan	No.	1	1	1	1	1	1	1	1	1
	Volts	460	460	208/230	208/230	208/230	208/230	208/230	460	460
	Phase	1	1	1	1	1	1	1	1	1
	HP	3/4	1	3/4	3/4	1 1/2	1	1 1/2	1	1 1/5
	Amps (FLA, each)	3.2	2.1	6	6	11.5	7.6	11.5	4	4.8
	Amps (LRA, each)									

ELECTRICAL DATA – RGECZR SERIES

		060AJT07 060AJT12	060AYT07 060AYT12	060AYU07 060AYU12
Unit Information	Unit Operating Voltage Range	187-253	523-632	523-632
	Volts	208/230	575	575
	Phase	1	3	3
	Hz	60	60	60
	Minimum Circuit Ampacity	42	14	19
	Minimum Overcurrent Protection Device Size	50	20	25
	Maximum Overcurrent Protection Device Size	60	20	30
Compressor Motor	No.	1	1	1
	Volts	208/230	575	575
	Phase	1	3	3
	RPM	3450	3450	3450
	HP, Compressor	4	4	4
	Amps (RLA), Comp.	25	3.4	3.4
	Amps (LRA), Comp.	134	39.5	39.5
Condenser Motor	No.	1	1	1
	Volts	208/230	575	575
	Phase	1	1	1
	HP	1/2	1/2	1/2
	Amps (FLA, each)	2.5	1.1	1.1
	Amps (LRA, each)	5.6	2.5	2.5
Evaporator Fan	No.	1	1	1
	Volts	208/230	208/230	208/230
	Phase	1	1	1
	HP	1	1	1 1/2
	Amps (FLA, each)	7.6	7.6	11.5
	Amps (LRA, each)			

ELECTRICAL DATA – RGECZT SERIES

		036ACT07	036ACT10	036ACU07	036ACU10	036ADT07	036ADT10	036ADU07	036ADU10	036AJT07
Unit Information	Unit Operating Voltage Range	187-253	187-253	187-253	187-253	418-506	418-506	418-506	418-506	187-253
	Volts	208/230	208/230	208/230	208/230	460	460	460	460	208/230
	Phase	3	3	3	3	3	3	3	3	1
	Hz	60	60	60	60	60	60	60	60	60
	Minimum Circuit Ampacity	23	23	28	28	11	11	11	11	29
	Minimum Overcurrent Protection Device Size	25	25	35	35	15	15	15	15	35
	Maximum Overcurrent Protection Device Size	30	30	35	35	15	15	15	15	40
Compressor Motor	No.	1	1	1	1	1	1	1	1	1
	Volts	208/230	208/230	208/230	208/230	460	460	460	460	208/230
	Phase	3	3	3	3	3	3	3	3	1
	RPM	3500	3500	3500	3500	3500	3500	3500	3500	3500
	Amps (RLA), Comp. 1	10.1	10.1	10.1	10.1	4.7	4.7	4.7	4.7	15.4
	Amps (LRA), Comp. 1	88	88	88	88	44.3	44.3	44.3	44.3	92
	Condenser Motor	No.	1	1	1	1	1	1	1	1
Volts		208/230	208/230	208/230	208/230	460	460	460	460	208/230
Phase		1	1	1	1	1	1	1	1	1
HP		1/3	1/3	1/3	1/3	1/3	1/3	1/3	1/3	1/3
Amps (FLA, each)		3.5	3.5	3.5	3.5	1.6	1.6	1.6	1.6	3.5
Amps (LRA, each)		N/A	N/A	N/A	N/A	N/A	N/A	N/A	N/A	N/A
Evaporator Fan		No.	1	1	1	1	1	1	1	1
	Volts	208/230	208/230	208/230	208/230	460	460	460	460	208/230
	Phase	1	1	1	1	1	1	1	1	1
	HP	3/4	3/4	1 1/2	1 1/2	3/4	3/4	1	1	3/4
	Amps (FLA, each)	6	6	11.5	11.5	2.7	2.7	3.5	3.5	6
	Amps (LRA, each)	N/A	N/A	N/A	N/A	N/A	N/A	N/A	N/A	N/A

ELECTRICAL DATA – RGECZT SERIES

		036AJT10	048ACT07	048ACT12	048ACU07	048ACU12	048ADT07	048ADT12	048ADU07	048ADU12
Unit Information	Unit Operating Voltage Range	187-253	187-253	187-253	187-253	187-253	418-506	418-506	418-506	418-506
	Volts	208/230	208/230	208/230	208/230	208/230	460	460	460	460
	Phase	1	3	3	3	3	3	3	3	3
	Hz	60	60	60	60	60	60	60	60	60
	Minimum Circuit Ampacity	29	28	28	33	33	14	14	15	15
	Minimum Overcurrent Protection Device Size	35	35	35	40	40	20	20	20	20
	Maximum Overcurrent Protection Device Size	40	40	40	45	45	20	20	20	20
Compressor Motor	No.	1	1	1	1	1	1	1	1	1
	Volts	208/230	208/230	208/230	208/230	208/230	460	460	460	460
	Phase	1	3	3	3	3	3	3	3	3
	RPM	3500	3500	3500	3500	3500	3500	3500	3500	3500
	Amps (RLA), Comp. 1	15.4	12.8	12.8	12.8	12.8	7.1	7.1	7.1	7.1
	Amps (LRA), Comp. 1	92	105.3	105.3	105.3	105.3	61.8	61.8	61.8	61.8
Condenser Motor	No.	1	1	1	1	1	1	1	1	1
	Volts	208/230	208/230	208/230	208/230	208/230	460	460	460	460
	Phase	1	1	1	1	1	1	1	1	1
	HP	1/3	1/2	1/2	1/2	1/2	1/2	1/2	1/2	1/2
	Amps (FLA, each)	3.5	5.3	5.3	5.3	5.3	5.3	5.3	2.3	2.3
	Amps (LRA, each)	N/A	N/A	N/A	N/A	N/A	N/A	N/A	N/A	N/A
Evaporator Fan	No.	1	1	1	1	1	1	1	1	1
	Volts	208/230	208/230	208/230	208/230	208/230	460	460	460	460
	Phase	1	1	1	1	1	1	1	1	1
	HP	3/4	3/4	3/4	1 1/2	1 1/2	3/4	3/4	1	1
	Amps (FLA, each)	6	6	6	11.5	11.5	2.7	2.7	3.5	3.5
	Amps (LRA, each)	N/A	N/A	N/A	N/A	N/A	N/A	N/A	N/A	N/A

ELECTRICAL DATA – RGECZT SERIES

		048AJT07	048AJT12	060ACT07	060ACT12	060ACU07	060ACU12	060ADT07	060ADT12	060ADU07
Unit Information	Unit Operating Voltage Range	187-253	187-253	187-253	187-253	187-253	187-253	418-506	418-506	418-506
	Volts	208/230	208/230	208/230	208/230	208/230	208/230	460	460	460
	Phase	1	1	3	3	3	3	3	3	3
	Hz	60	60	60	60	60	60	60	60	60
	Minimum Circuit Ampacity	37	37	34	34	38	38	15	15	15
	Minimum Overcurrent Protection Device Size	45	45	40	40	45	45	20	20	20
	Maximum Overcurrent Protection Device Size	50	50	45	45	50	50	20	20	20
Compressor Motor	No.	1	1	1	1	1	1	1	1	1
	Volts	208/230	208/230	208/230	208/230	208/230	208/230	460	460	460
	Phase	1	1	3	3	3	3	3	3	3
	RPM	3500	3500	3500	3500	3500	3500	3500	3500	3500
	Amps (RLA), Comp. 1	19.9	19.9	16.4	16.4	16.4	16.4	6.9	6.9	6.9
	Amps (LRA), Comp. 1	126.5	126.5	110	110	110	110	54.7	54.7	54.7
Condenser Motor	No.	1	1	1	1	1	1	1	1	1
	Volts	208/230	208/230	208/230	208/230	208/230	208/230	460	460	460
	Phase	1	1	1	1	1	1	1	1	1
	HP	1/2	1/2	1/2	1/2	1/2	1/2	1/2	1/2	1/2
	Amps (FLA, each)	5.3	5.3	5.3	5.3	5.3	5.3	2.3	2.3	2.3
	Amps (LRA, each)	N/A	N/A	N/A	N/A	N/A	N/A	N/A	N/A	N/A
Evaporator Fan	No.	1	1	1	1	1	1	1	1	1
	Volts	208/230	208/230	208/230	208/230	208/230	208/230	460	460	460
	Phase	1	1	1	1	1	1	1	1	1
	HP	3/4	3/4	1	1	1 1/2	1 1/2	1	1	1 1/5
	Amps (FLA, each)	6	6	7.6	7.6	11.5	11.5	3.5	3.5	3.7
	Amps (LRA, each)	N/A	N/A	N/A	N/A	N/A	N/A	N/A	N/A	N/A

ELECTRICAL DATA – RGECZT SERIES

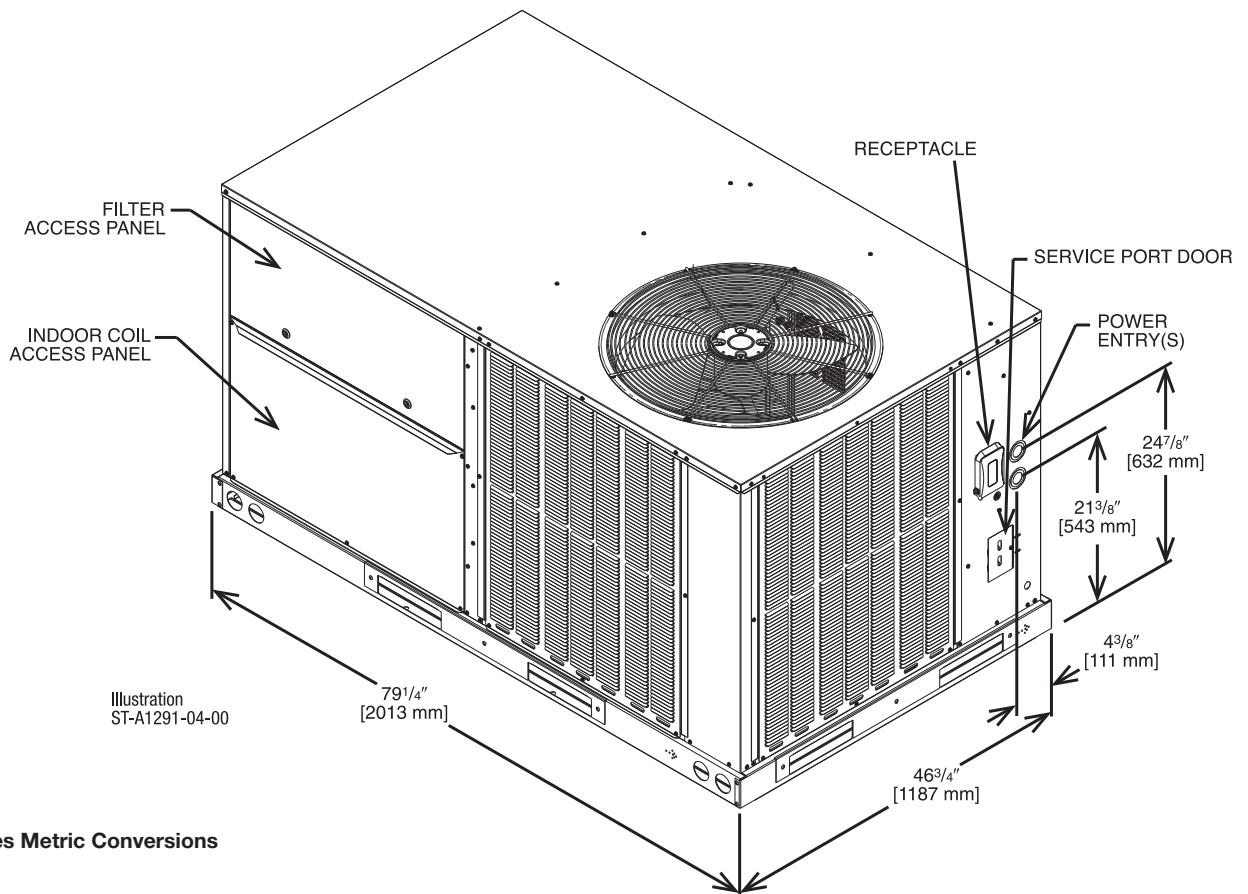
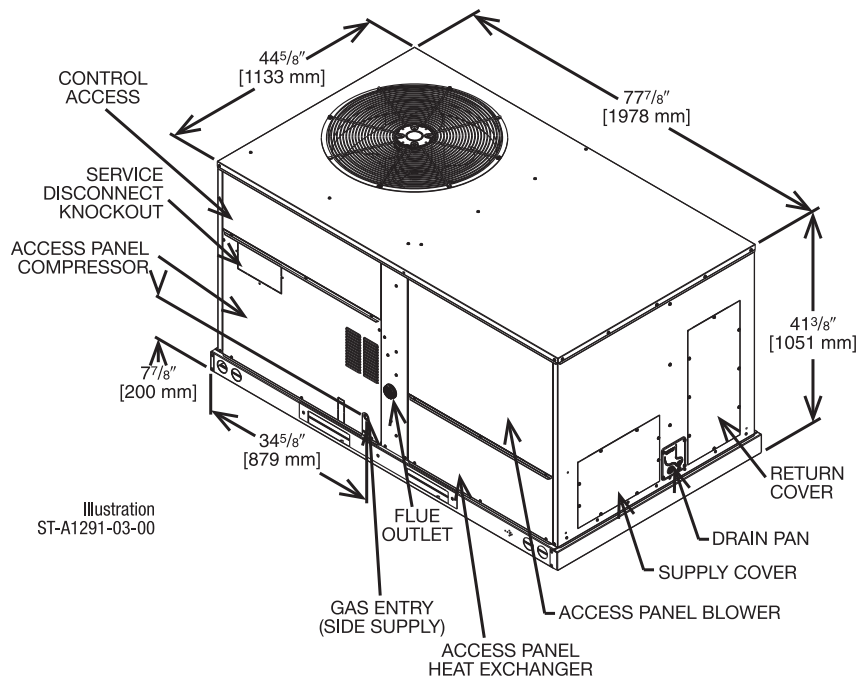
		060ADU12	060AJT07	060AJT12
Unit Information	Unit Operating Voltage Range	418-506	187-253	187-253
	Volts	460	208/230	208/230
	Phase	3	1	1
	Hz	60	60	60
	Minimum Circuit Ampacity	15	45	45
	Minimum Overcurrent Protection Device Size	20	60	60
	Maximum Overcurrent Protection Device Size	20	70	70
Compressor Motor	No.	1	1	1
	Volts	460	208/230	208/230
	Phase	3	1	1
	RPM	3500	3500	3500
	Amps (RLA), Comp. 1	6.9	25.6	25.6
	Amps (LRA), Comp. 1	54.7	158	158
Condenser Motor	No.	1	1	1
	Volts	460	208/230	208/230
	Phase	1	1	1
	HP	1/2	1/2	1/2
	Amps (FLA, each)	2.3	5.3	5.3
	Amps (LRA, each)			
Evaporator Fan	No.	1	1	1
	Volts	460	208/230	208/230
	Phase	1	1	1
	HP	1 1/5	1	1
	Amps (FLA, each)	3.7	7.6	7.6
	Amps (LRA, each)	N/A	N/A	N/A

ELECTRICAL DATA – RGECZT SERIES

		072ACT07	072ACT12	072ACU07	072ACU12	072ADT07	072ADT12
Unit Information	Unit Operating Voltage Range	187-253	187-253	187-253	187-253	187-253	187-253
	Volts	208/230	208/230	208/230	208/230	208/230	208/230
	Phase	3	3	3	3	3	3
	Hz	60	60	60	60	60	60
	Minimum Circuit Ampacity	33	33	33	33	17	17
	Minimum Overcurrent Protection Device Size	40	40	40	40	20	20
	Maximum Overcurrent Protection Device Size	50	50	50	50	25	25
Compressor Motor	No.	1	1	1	1	1	1
	Volts	208/230	208/230	208/230	208/230	208/230	208/230
	Phase	3	3	3	3	3	3
	RPM	3450	3450	3450	3450	3450	3450
	HP, Compressor 1	5	5	5	5	5	5
	Amps (RLA), Comp. 1	17.6	17.6	17.6	17.6	8.5	8.5
	Amps (LRA), Comp. 1	136	136	136	136	66.1	66.1
Condenser Motor	No.	1	1	1	1	1	1
	Volts	208/230	208/230	208/230	208/230	460	460
	Phase	1	1	1	1	1	1
	HP	3/4	3/4	3/4	3/4	3/4	3/4
	Amps (FLA, each)	4.2	4.2	4.2	4.2	2.3	2.3
	Amps (LRA, each)	10.1	10.1	10.1	10.1	4.9	4.9
Evaporator Fan	No.	1	1	1	1	1	1
	Volts	208/230	208/230	208/230	208/230	460	460
	Phase	1	1	1	1	1	1
	HP	1 1/5	1 1/5	1 1/5	1 1/5	1 1/5	1 1/5
	Amps (FLA, each)	6.6	6.6	6.6	6.6	3.7	3.7
	Amps (LRA, each)						

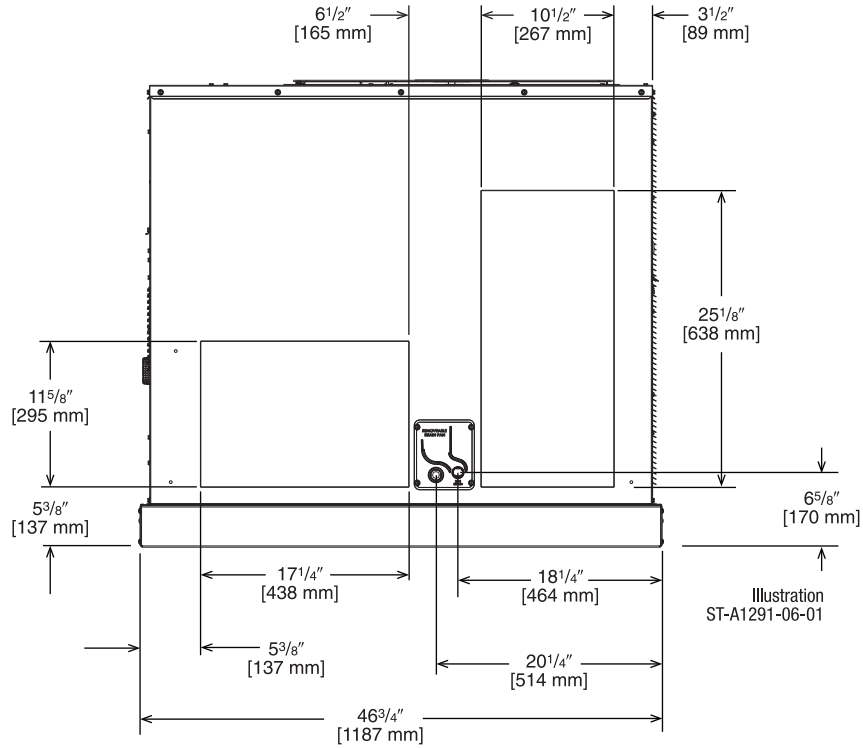
ELECTRICAL DATA – RGEZT SERIES

		072ADU07	072ADU12	072AYT07	072AYU07	072AYT12	072AYU12
Unit Information	Unit Operating Voltage Range	187-253	187-253	523-632	523-632	523-632	523-632
	Volts	460	460	575	575	575	575
	Phase	3	3	3	3	3	3
	Hz	60	60	60	60	60	60
	Minimum Circuit Ampacity	17	17	16	16	16	16
	Minimum Overcurrent Protection Device Size	20	20	20	20	20	20
	Maximum Overcurrent Protection Device Size	25	25	20	20	20	20
Compressor Motor	No.	1	1	1	1	1	1
	Volts	460	460	575	575	575	575
	Phase	3	3	3	3	3	3
	RPM	3450	3450	3450	3450	3450	3450
	HP, Compressor 1	5	5	5	5	5	5
	Amps (RLA), Comp. 1	8.5	8.5	6.3	6.3	6.3	6.3
	Amps (LRA), Comp. 1	66.1	66.1	55.3	55.3	55.3	55.3
Condenser Motor	No.	1	1	1	1	1	1
	Volts	460	460	575	575	575	575
	Phase	1	3	1	1	1	1
	HP	3/4	3/4	3/4	3/4	3/4	3/4
	Amps (FLA, each)	2.3	2.3	1.2	1.2	1.2	1.2
	Amps (LRA, each)	4.9	4.9	3.4	3.4	3.4	3.4
Evaporator Fan	No.	1	1	1	1	1	1
	Volts	460	460	575	575	575	575
	Phase	1	1	1	1	1	1
	HP	1 1/5	1 1/5	1 1/5	1 1/5	1 1/5	1 1/5
	Amps (FLA, each)	3.7	3.7	6.6	6.6	6.6	6.6
	Amps (LRA, each)						

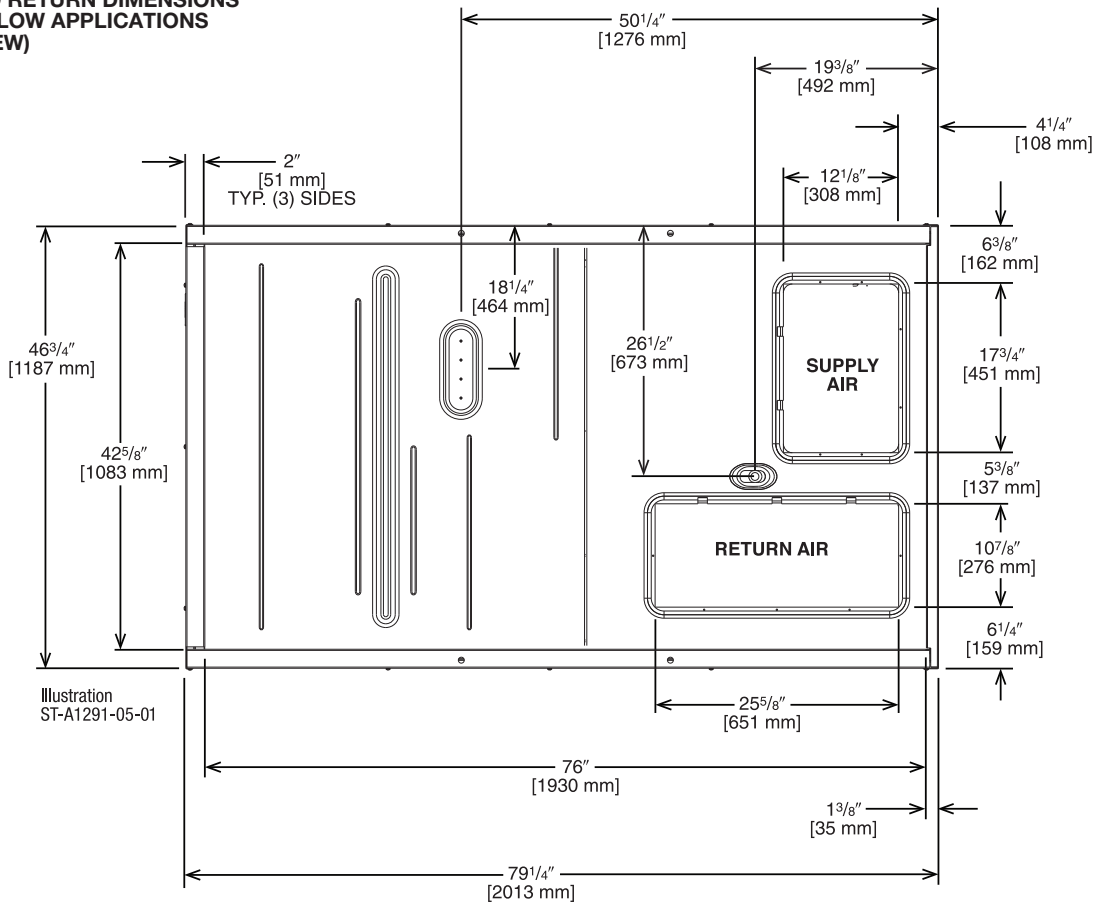


[] Designates Metric Conversions

**SUPPLY AND RETURN DIMENSIONS FOR
 HORIZONTAL APPLICATIONS
 (SIDE VIEW)**



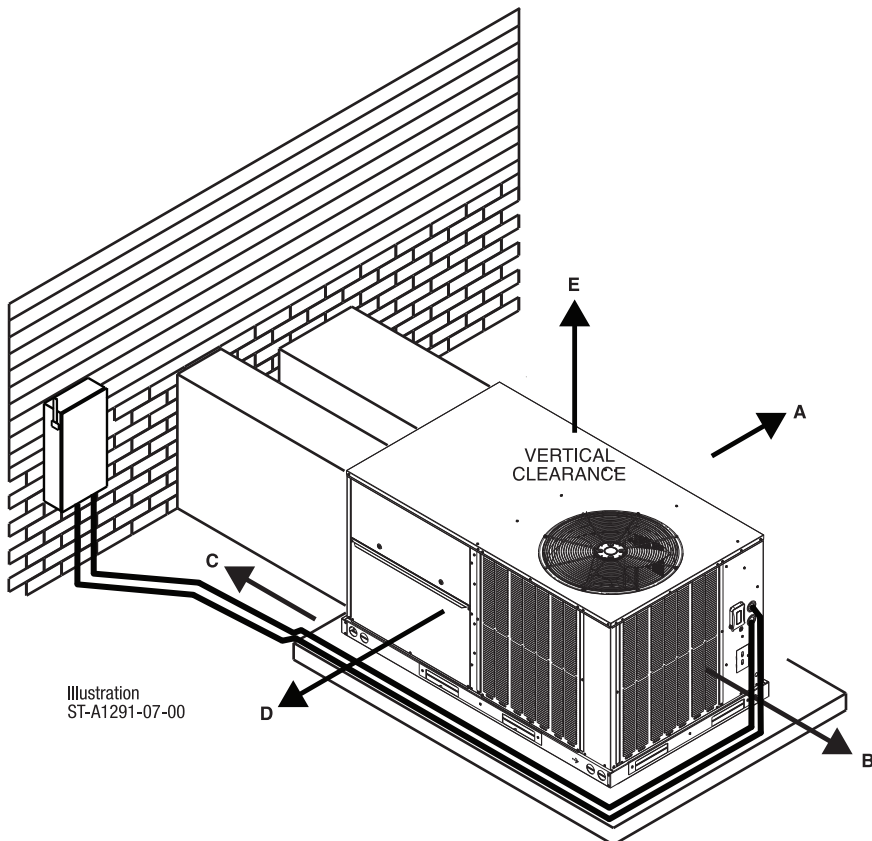
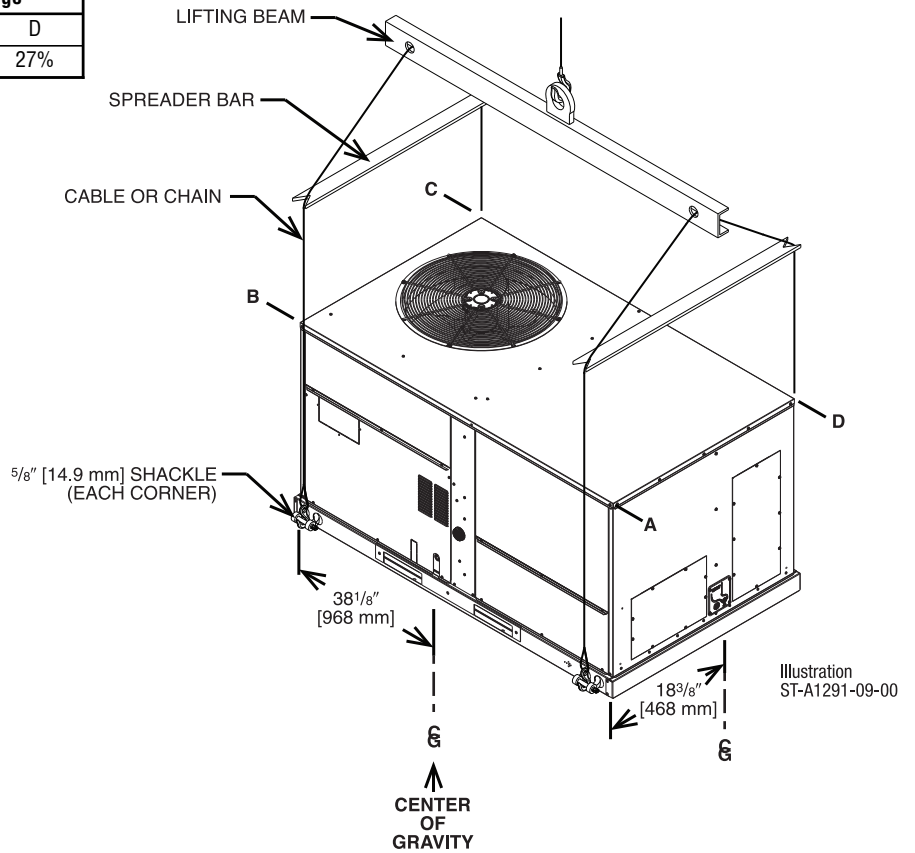
**SUPPLY AND RETURN DIMENSIONS FOR
 DOWNFLOW APPLICATIONS
 (BOTTOM VIEW)**



[] Designates Metric Conversions

WEIGHTS

Capacity Tons [kW]	Corner Weights by Percentage			
	A	B	C	D
3.0-6.0 [10.6-21.1]	21%	40%	12%	27%



CLEARANCES

THE FOLLOWING MINIMUM CLEARANCES MUST BE OBSERVED FOR PROPER UNIT PERFORMANCE AND SERVICEABILITY.

RECOMMENDED CLEARANCE In. [mm]	LOCATION
48 [1219]	A - FRONT
24 [609]	B - CONDENSER END
48 [1219] ①	C - DUCT END
24 [609] ②	*D - FILTER SIDE
60 [1524]	E - ABOVE

- ① 18" [457 mm] MINIMUM IF DRAINPAN WILL NOT BE REMOVED.
- ② 48" [1219 MM] MINIMUM IF ECONOMIZER IS INSTALLED.

[] Designates Metric Conversions



FIELD-INSTALLED ACCESSORY EQUIPMENT

Accessory	Model Number	Shipping Weight Lbs. [kg]	Installed Weight Lbs. [kg]	Factory Installation Available?
Economizer w/Single Enthalpy (Downflow/Vertical)	RXRD-01MCDAM3	100 [45.4]	66 [29.9]	Yes
Economizer w/Single Enthalpy (Horizontal)	RXRD-01MCHAM3	72 [32.7]	69 [31.3]	No
Economizer-w/Single Enthalpy (Downflow/Vertical) DDC	RXRD-01MCDBM3	100 [45.4]	66 [29.9]	Yes
Economizer w/Single Enthalpy (Horizontal) DDC	RXRD-01MCHBM3	72 [32.7]	69 [31.3]	No
Dual Enthalpy Kit	RXXR-BV01	1 [0.5]	1 [0.5]	No
Dual Enthalpy Kit DDC	RXXR-BV02	1 [0.5]	1 [0.5]	No
Power Exhaust (230V) Vertical	RXXR-CCF02C	24 [10.9]	21 [9.5]	No
Power Exhaust (460V) Vertical	RXXR-CCF02D	20 [9.1]	17 [7.7]	No
Power Exhaust (230V) Horizontal	RXXR-CCF03C	42 [19.1]	39 [17.7]	No
Power Exhaust (460V) Horizontal	RXXR-CCF03D	42 [19.1]	39 [17.7]	No
Manual Fresh Air Damper	RXRF-ACA1	22 [10.0]	18 [8.2]	No
Motorized Fresh Air Damper	RXRF-ACB1	53 [24.0]	43 [19.5]	No
Roofcurb, 14"	RXKG-DCC14	94 [42.6]	90 [40.8]	No
Roofcurb, 24"	RXKG-DCC24	124 [56.2]	120 [54.4]	No
Roofcurb Adapter	RXXR-DCCAE	159 [72.1]	145 [65.8]	No
Concentric Diffuser 3-4 Ton Flush	RXRN-AEF1800	30 [13.6]	25 [11.3]	No
Concentric Diffuser 5-6 Ton Flush	RXRN-AEF2000	30 [13.6]	25 [11.3]	No
Concentric Diffuser 3-4 Ton Drop	RXRN-AED1800	35 [15.9]	30 [13.6]	No
Concentric Diffuser 5-6 Ton Drop	RXRN-AED2000	35 [15.9]	30 [13.6]	No
Concentric Adapter 3-4 Ton Drop	RXMC-DC01	35 [15.9]	30 [13.6]	No
Concentric Adapter 5-6 Ton Drop	RXMC-DC02	40 [18.2]	35 [15.9]	No
Outdoor Coil Louver Kit	RXXR-ADD04C	30 [13.6]	25 [11.3]	Yes
Nonpowered Convenience Outlet	RXXR-BN01	2 [1.0]	1.5 [0.7]	Yes
Unfused Service Disconnect	RXXR-BP01	10 [4.5]	9 [4.1]	Yes
Comfort Alert (1 Phase) DDC	RXXR-AZ03	3 [1.5]	2 [0.9]	Yes
Comfort Alert (1 Phase) Non-DDC	RXXR-AZ04	3 [1.5]	2 [0.9]	Yes
Comfort Alert (3 Phase) DDC	RXXR-AZ01	3 [1.5]	2 [0.9]	Yes
Comfort Alert (3 Phase) Non-DDC	RXXR-AZ02	3 [1.5]	2 [0.9]	Yes
Carbon Dioxide Sensor (Wall Mount)	RXXR-AR02	1 [0.5]	1 [0.5]	No
BACnet Communication Card	RXXR-AY01	1 [0.5]	1 [0.5]	No
LonWorks Communication Card	RXXR-AY02	1 [0.5]	1 [0.5]	No
Room Humidity Sensor	RHC-ZNS4	1 [0.5]	1 [0.5]	No
Room Temperature and Relative Humidity Sensor	RHC-ZNS5	1 [0.5]	1 [0.5]	No
Low-Ambient Control Kit	RXRZ-A04	4 [1.8]	3 [1.4]	Yes
Freeze Stat Kit	RXXR-AM05	2 [1.0]	1.5 [0.7]	Yes
Return Smoke Detector (Field kit)	RXXR-BS01	7 [3.2]	6 [2.7]	No
Return/ Supply Smoke Detector (Field kit)	RXXR-BS02	5 [2.3]	4 [1.8]	No
LP Kit (-)GEC 75K, 120K	RXGJ-FP40	2 [1.0]	1 [0.5]	No
LP Kit (-)GEC 100K	RXGJ-FP41	2 [1.0]	1 [0.5]	No
Flue Diverter ((-)GEC 75K, 100K & 120K)	RXXR-DEG03	5 [2.3]	4 [1.8]	No
MERV 8 Filter	RXMF-M08A21616	2 [0.9]	1 [0.45]	No
MERV 13 Filter	RXMF-M13A21616	2 [0.9]	1 [0.45]	No

[] Designates Metric Conversions

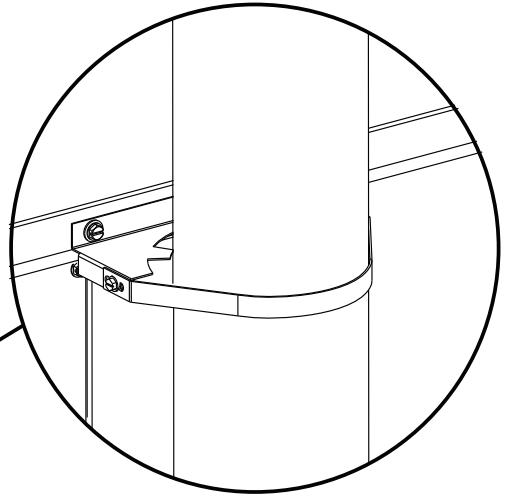
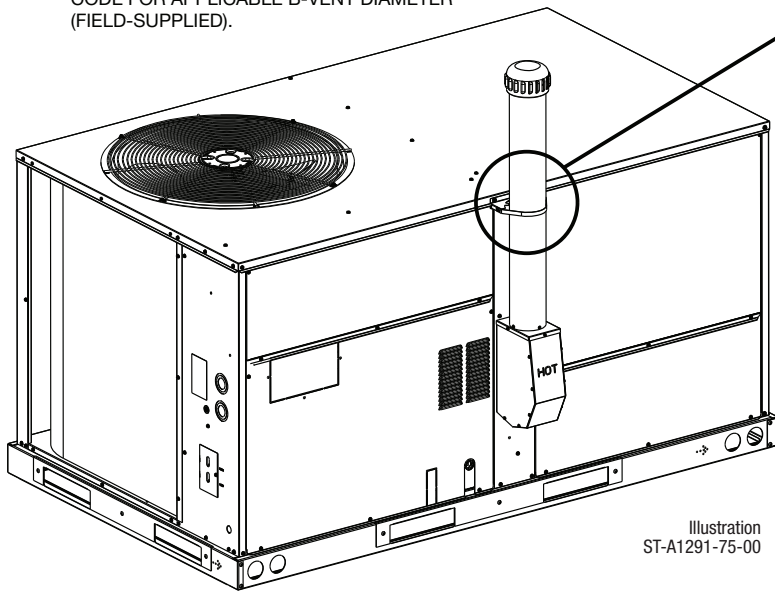




FLUE DIVERTER

FLUE DIVERTER RXRX-DEG03

FLUE DIVERTER HELPS DIRECT PRODUCTS OF COMBUSTION AWAY FROM FRESH AIR INTAKES. FLUE DIVERTER IS COMPATIBLE WITH ALL THREE BTU INPUTS. REFER TO ANSI Z223.1 NATIONAL FUEL GAS CODE FOR APPLICABLE B-VENT DIAMETER (FIELD-SUPPLIED).



**B-VENT SUPPORT
BRACKET DETAIL.**
SHOWN WITH 4-INCH
FLUE PIPE.

Illustration
ST-A1291-75-00

FLUSH MOUNT ROOM TEMPERATURE SENSORS FOR NETWORKED DDC APPLICATIONS



ROOM TEMPERATURE SENSOR with TIMED OVERRIDE BUTTON

RHC-ZNS1

10k Ω room temperature sensor transmits room temperature to DDC system. Timed override button allows tenant to change from unoccupied temperature setpoint to occupied temperature setpoint for a preset time.



ROOM TEMPERATURE SENSOR with TIMED OVERRIDE BUTTON and STATUS INDICATOR

RHC-ZNS2

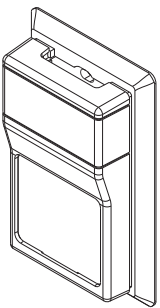
10k Ω room temperature sensor transmits room temperature to DDC system. Timed override button allows tenant to change from unoccupied temperature setpoint to occupied temperature setpoint for a preset time. Status Indicator Light transmits ALARM flash code to occupied space.



ROOM TEMPERATURE SENSOR with SETPOINT ADJUSTMENT and TIMED OVERRIDE BUTTON

RHC-ZNS3

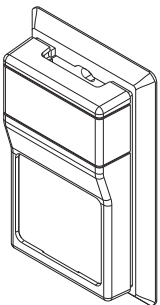
10k Ω room temperature sensor with setpoint adjustment transmits room temperature to DDC system along with desired occupied room temperature setpoint. Timed override button allows tenant to change from unoccupied temperature setpoint to occupied temperature setpoint for a preset time.



ROOM HUMIDITY SENSOR

RHC-ZNS4

Transmits room relative humidity to DDC System.



ROOM TEMPERATURE AND RELATIVE HUMIDITY SENSOR

RHC-ZNS5

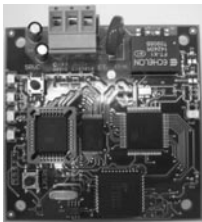
Transmits room temperature and relative humidity to DDC System.

COMMUNICATION CARDS



BACnet® COMMUNICATION CARD RXXR-AY01

The field installed BACnet® Communication Card allows the RTU-C unit controller to communicate with a third party building management system that supports the BACnet Application Specific Controller device profile. The BACnet® Communication Module plugs onto the unit RTU-C controller and allows communication between the RTU-C and the BACnet MSTP network.



LonWorks® COMMUNICATION CARD RXXR-AY02

The field installed LonWorks® Communication Card allows the RTU-C unit controller to communicate with a third party building management system that supports the LonMark Space Comfort Controller (SCC) functional profile or LonMark Discharge Air Controller (DAC) functional profile. The LonMark Communication Module plugs onto the RTU-C controller and allows communication between the RTU-C and a LonWorks Network.

NON-DDC ECONOMIZER FOR DOWNFLOW DUCT INSTALLATION

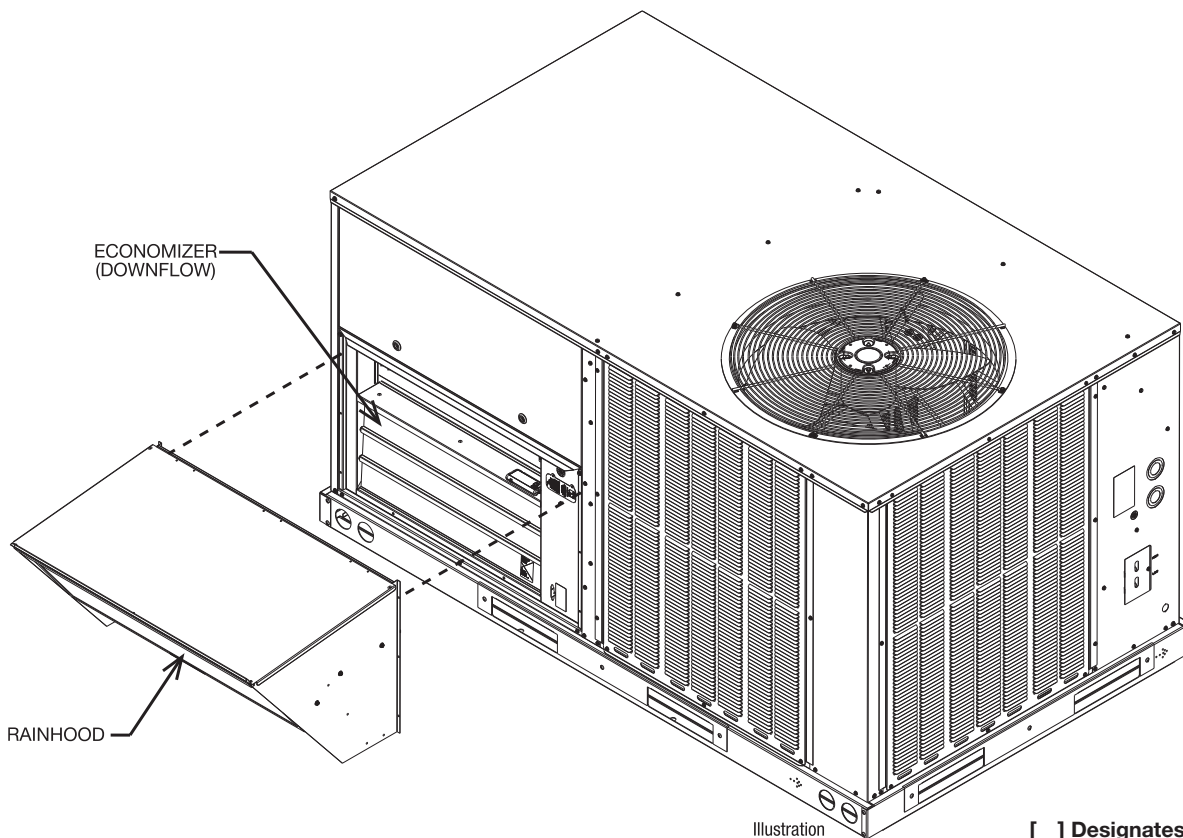
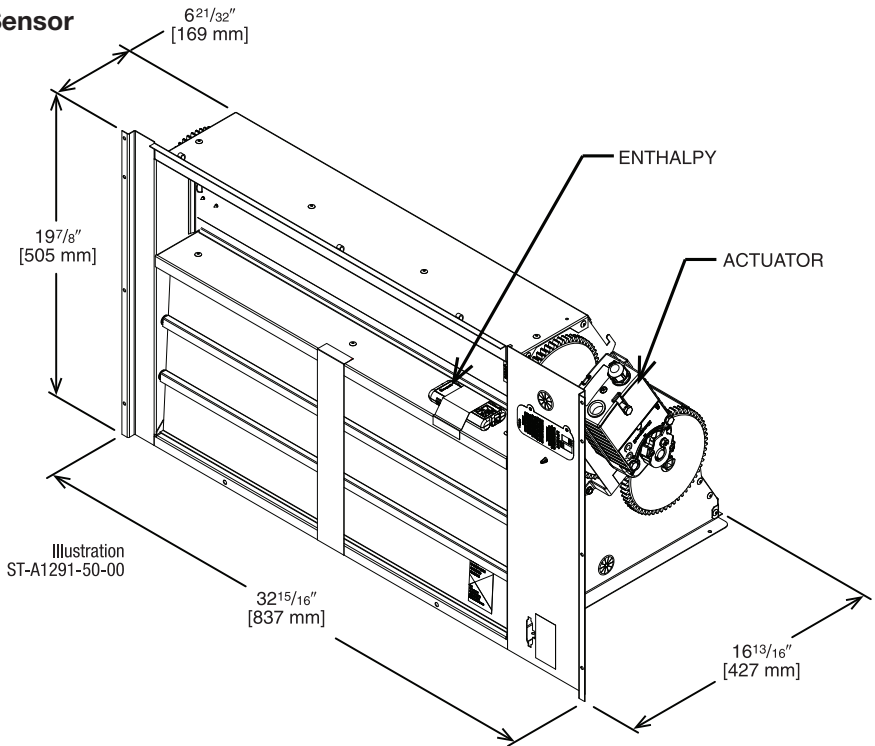
Use in Select Field-Installed Options Only

RXRD-01MCDAM3—Single Enthalpy (Outdoor)

RRRX-BV01—Dual Enthalpy Upgrade Kit

RRRX-AR02—Optional Wall-Mounted CO₂ Sensor

- Features **Honeywell JADE™** Digital Controls
- Available Factory Installed or Field Accessory
- Gear Driven Direct Drive Actuator
- Fully Modulating (0-100%)
- Ultra Low Leak Dampers meet California Title 24 requirements and ASHRAE 90.1 2019
- AMCA 511 Certified Class 1A Leakage—1" WG of differential pressure tested to AMCA Standard 500-D
- Slip-In Design for Easy Installation
- Plug-In Polarized 12-pin Electrical Connections
- Standard Barometric Relief Damper
- Single Enthalpy with Dual Enthalpy Upgrade Kit Available
- CO₂ Input Sensor Available
- Field Assembled Hood Ships with Economizer
- Economizer Ships Complete for Down-flow Duct Application.
- Field Installed Power Exhaust Available
- Fault detection and diagnostics



[] Designates Metric Conversions

NON-DDC ECONOMIZER FOR HORIZONTAL DUCT INSTALLATION

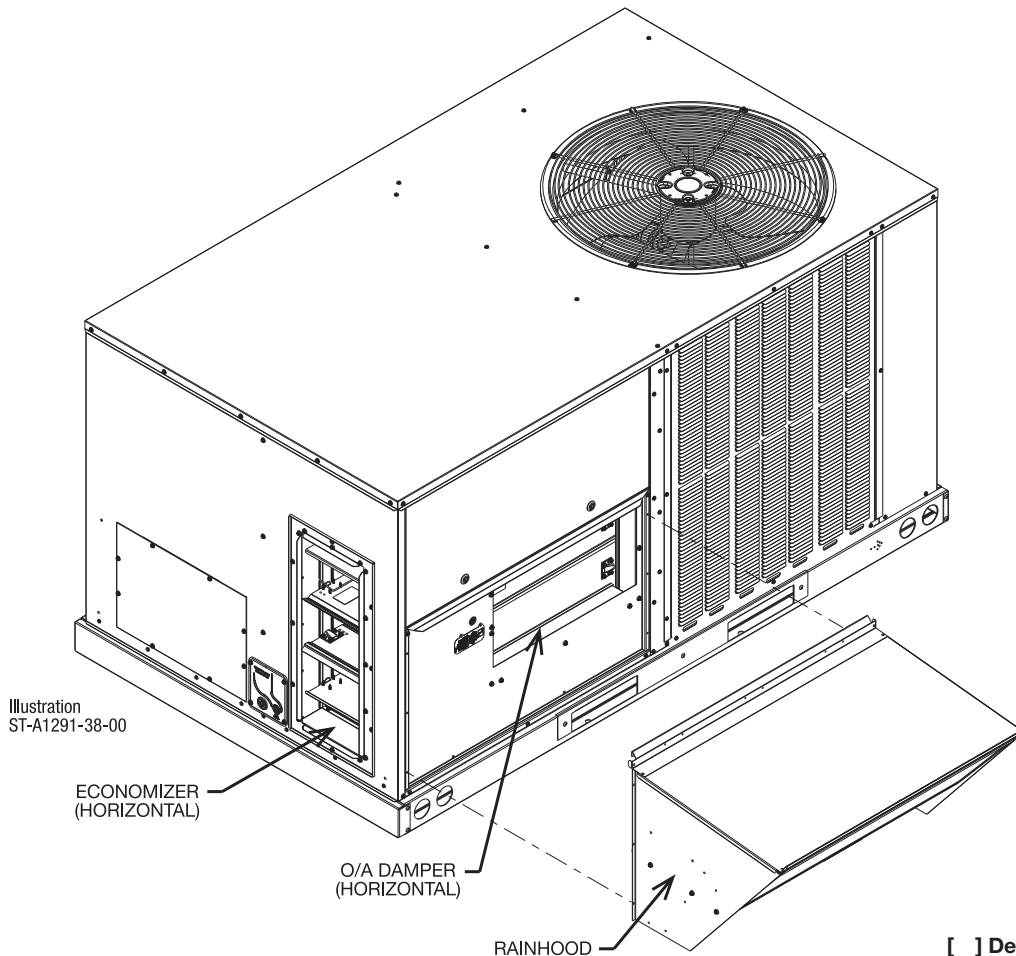
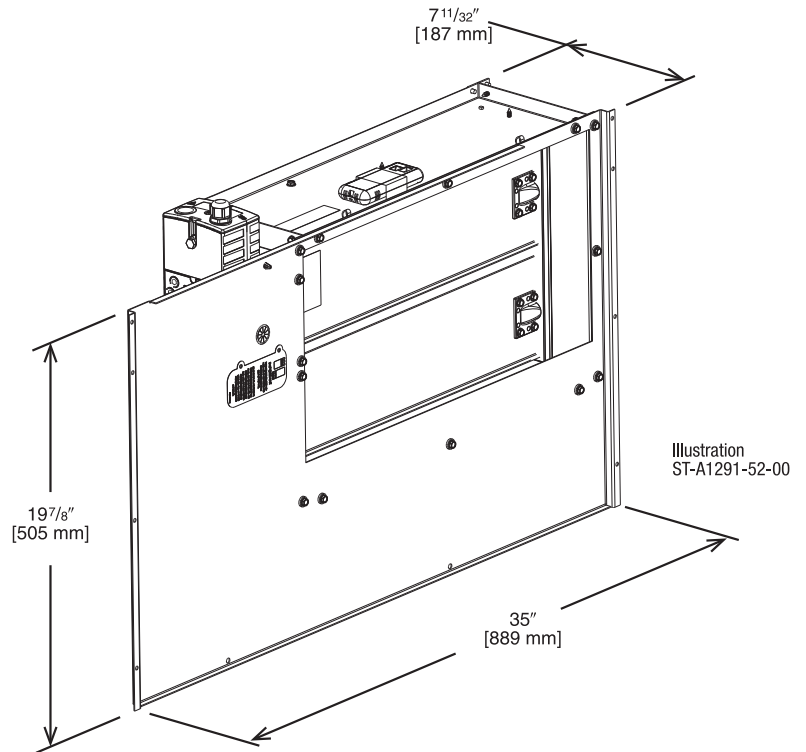
Field Installed Only

RXRD-01MCDAM3—Single Enthalpy (Outdoor)

RXXR-BV01—Dual Enthalpy Upgrade Kit

RXXR-AR02—Wall-mounted CO₂ Sensor

- Features **Honeywell JADE™** Digital Controls
- Available as a Field Installed Accessory Only
- Gear Driven Direct Drive Actuator
- Fully Modulating (0-100%)
- Ultra Low Leak Dampers meet California Title 24 requirements and ASHRAE 90.1 2019
- Slip-In Design for Easy Installation
- Standard Barometric Relief Damper
- Single Enthalpy with Dual Enthalpy Upgrade Kit Available
- CO₂ Input Sensor Available
- Field Assembled Hood Ships with Economizer
- Economizer Ships Complete for Horizontal Duct Application
- Field Installed Power Exhaust Available



[] Designates Metric Conversions

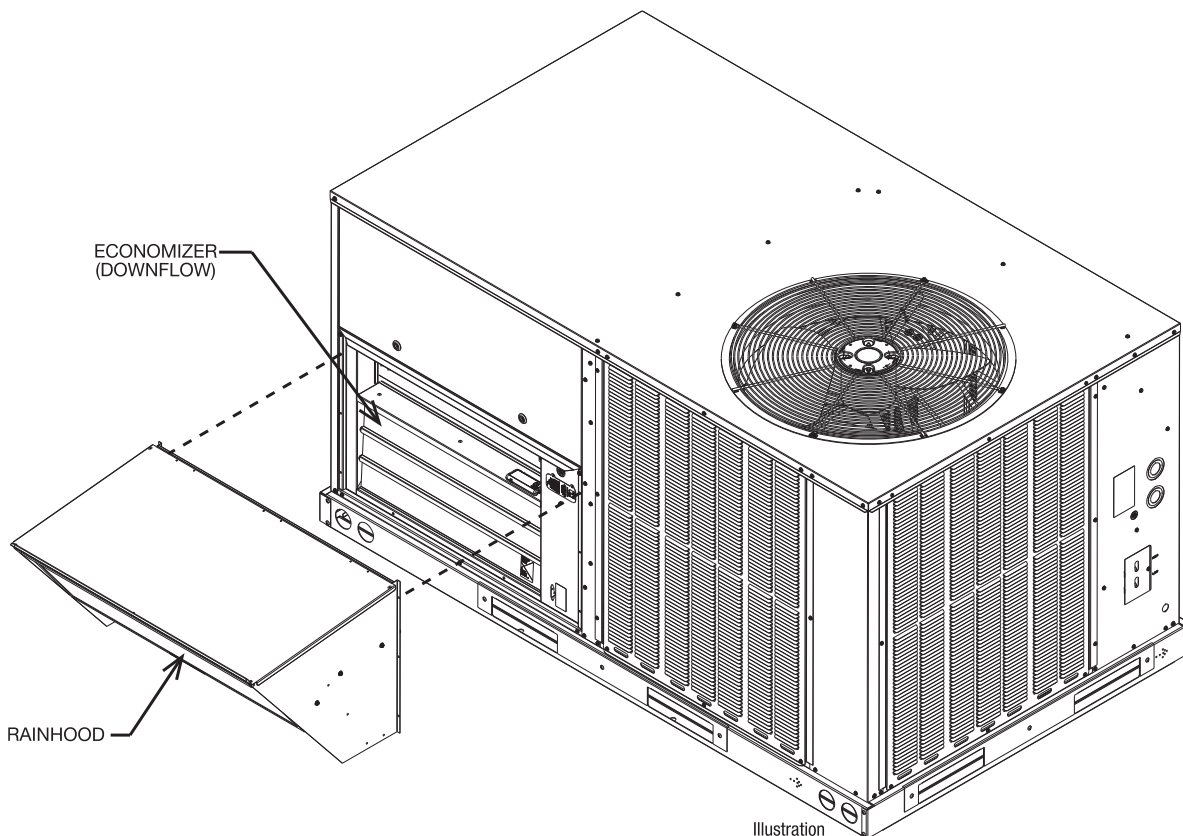
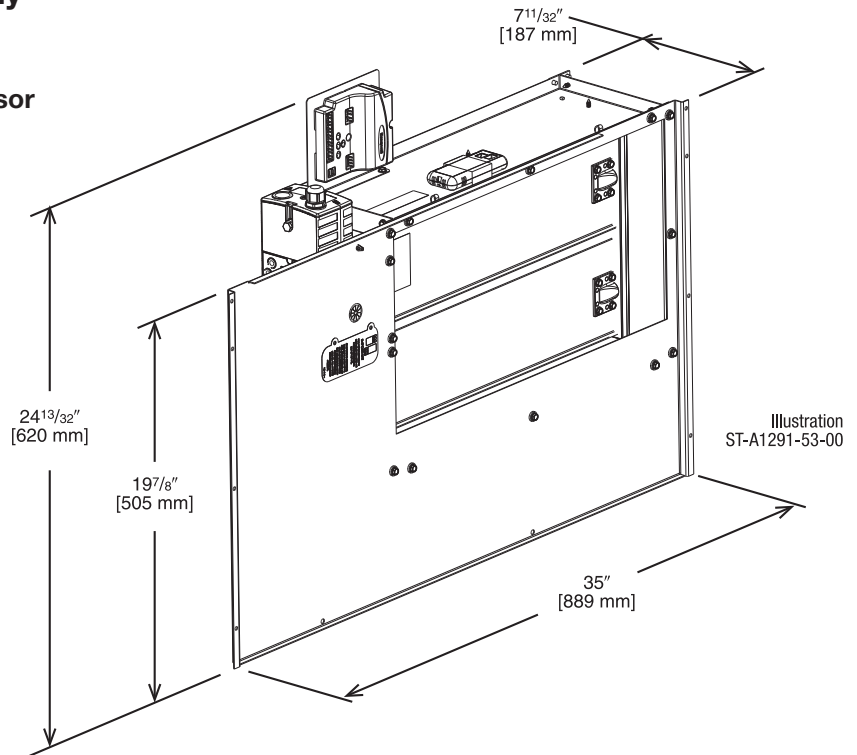


DDC—ECONOMIZER FOR DOWNFLOW DUCT INSTALLATION

Use in Select Field-Installed Options Only

RXRD-01MDDBM3—Single Enthalpy (Outdoor)
RXRX-BV02—Dual Enthalpy Upgrade Kit
RXRX-AR02—Optional Wall-Mounted CO₂ Sensor
RXRD-01MCDBM3

- Features **Honeywell** Controls
- Available Factory Installed or Field Accessory
- Gear Driven Direct Drive Actuator
- Fully Modulating (0-100%)
- Ultra Low Leak Dampers meet California Title 24 requirements and ASHRAE 90.1 2019
- Slip-In Design for Easy Installation
- Standard Barometric Relief Damper
- Single Enthalpy with Dual Enthalpy Upgrade Kit Available
- CO₂ Input Sensor Available
- Field Assembled Hood Ships with Economizer
- Economizer Ships Complete for Downflow Duct Application.
- Optional Remote Minimum Position Potentiometer (270 ohm) (Honeywell #S963B1136) is Available from Prostock.
- Field Installed Power Exhaust Available
- Prewired for Smoke Detector
- If connected to a Building Automation System (BAS), all economizer functions can be viewed on the (BAS), or 16 x 2 LCD screen
- If connected to thermostat, all economizer functions can be viewed on 16 x 2 LCD screen



[] Designates Metric Conversions





DDC—ECONOMIZER FOR HORIZONTAL DUCT INSTALLATION

Field-Installed Only

RXRD-01MCHBM3—Single Enthalpy (Outdoor)

RXRX-BV02—Dual Enthalpy Upgrade Kit

RXRX-AR02—Wall-mounted CO₂ Sensor

- Features **Honeywell** Controls
- Available as a Field Installed Accessory Only
- Gear Driven Direct Drive Actuator
- Fully Modulating (0-100%)
- Ultra Low Leak Dampers meet California Title 24 requirements and ASHRAE 90.1 2019
- Slip-In Design for Easy Installation
- Standard Barometric Relief Damper
- Single Enthalpy with Dual Enthalpy Upgrade Kit Available
- CO₂ Input Sensor Available
- Field Assembled Hood Ships with Economizer
- Economizer Ships Complete for Horizontal Duct Application
- Optional Remote Minimum Position Potentiometer (270 ohm) (Honeywell #S963B1136) is Available from Prostock
- Field Installed Power Exhaust Available
- If connected to a Building Automation System (BAS), all economizer functions can be viewed on the (BAS), or 16 x 2 LCD screen
- If connected to a thermostat, all economizer functions can be viewed on 16 x 2 LCD screen

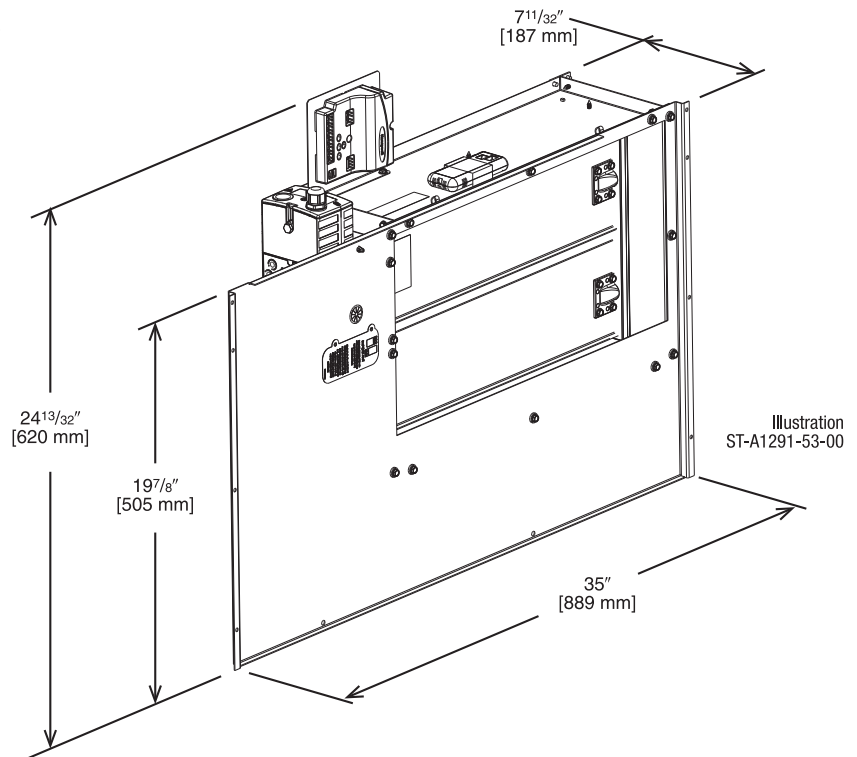


Illustration
ST-A1291-53-00

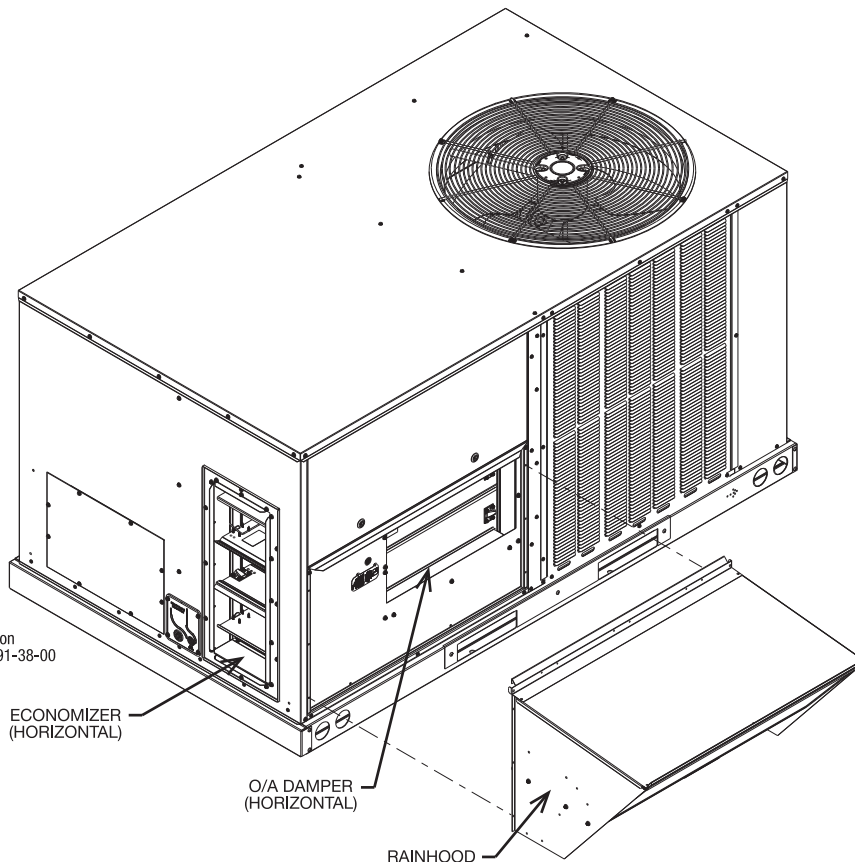


Illustration
ST-A1291-38-00

ECONOMIZER
(HORIZONTAL)

O/A DAMPER
(HORIZONTAL)

RAINHOOD

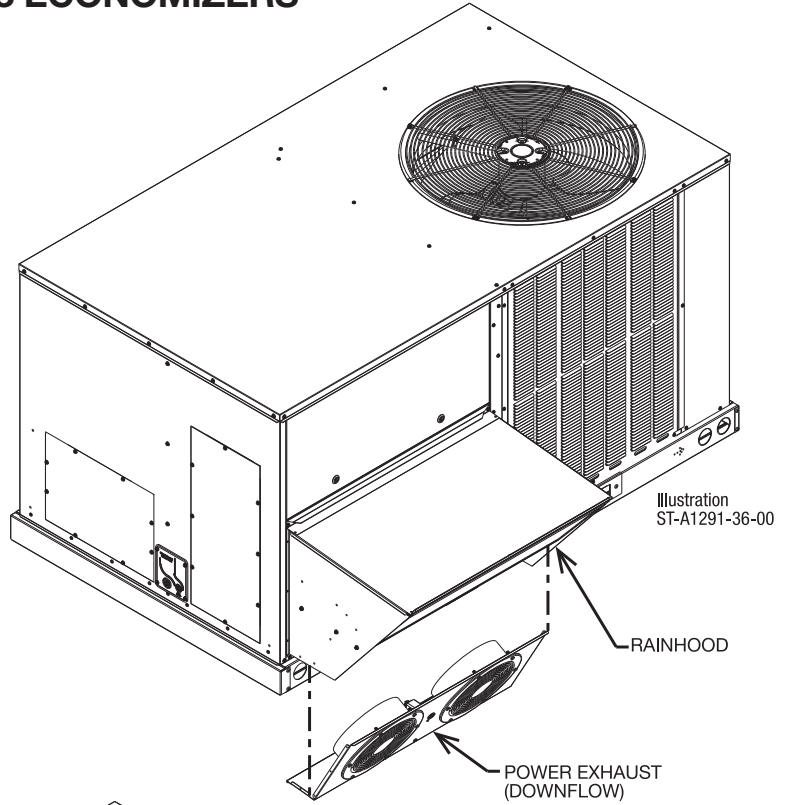
[] Designates Metric Conversions

POWER EXHAUST KIT FOR RXRD-01MCDAM3, RXRD-01MCDBM3, RXRD-01MCHAM3, RXRD-01MCHBM3 ECONOMIZERS

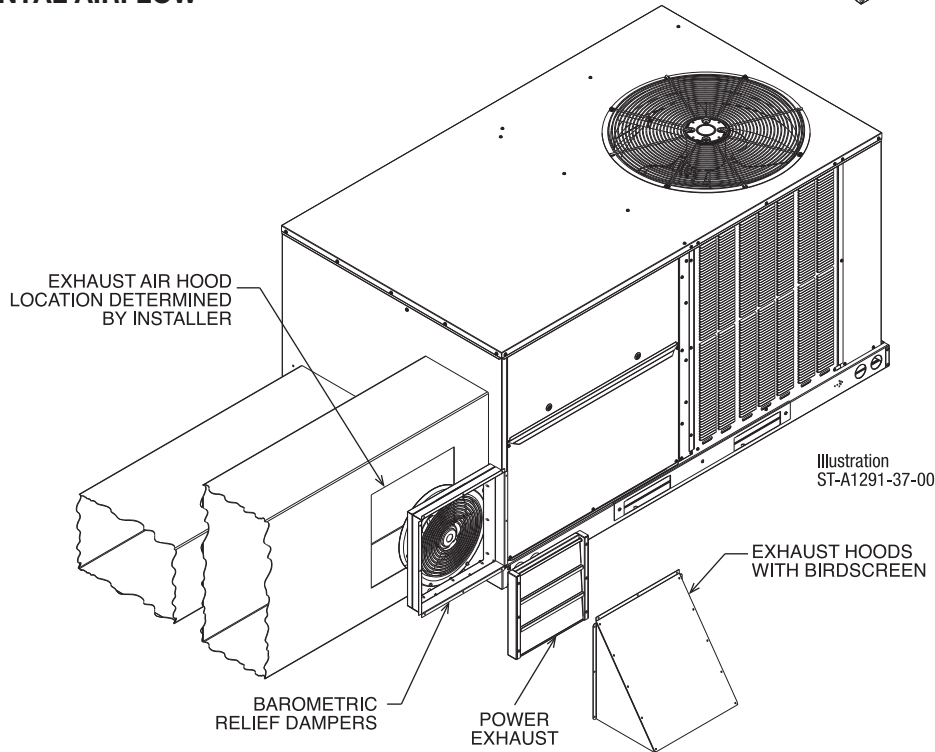
RXR-CCF02 (C, D, or Y*)

*Voltage Code

VERTICAL AIRFLOW



HORIZONTAL AIRFLOW



Model No.	No. of Fans	Volts	Phase	HP (ea.)	CFM [L/s]*	RPM	FLA (ea.)	LRA (ea.)
RXR-CCF02C	2	208-230	1	0.47	2200	3000	1.55	1.1
RXR-CCF02D	2	460	3	0.40	1970	2750	0.51	1.9

*CFM is per fan at 0" w.c. external static pressure.

[] Designates Metric Conversions

FRESH AIR DAMPER

MOTORIZED DAMPER KIT RXRF-ACB1

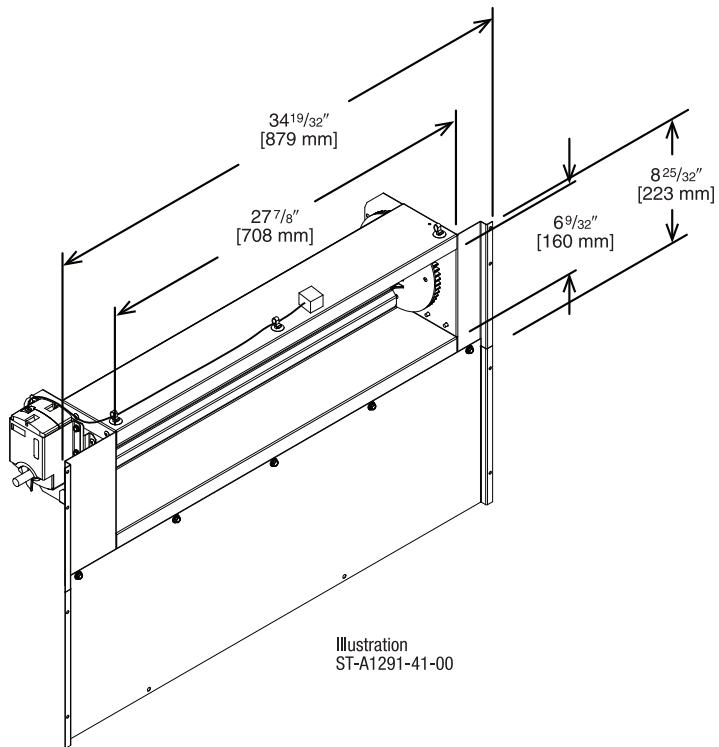


Illustration
ST-A1291-41-00

[] Designates Metric Conversions

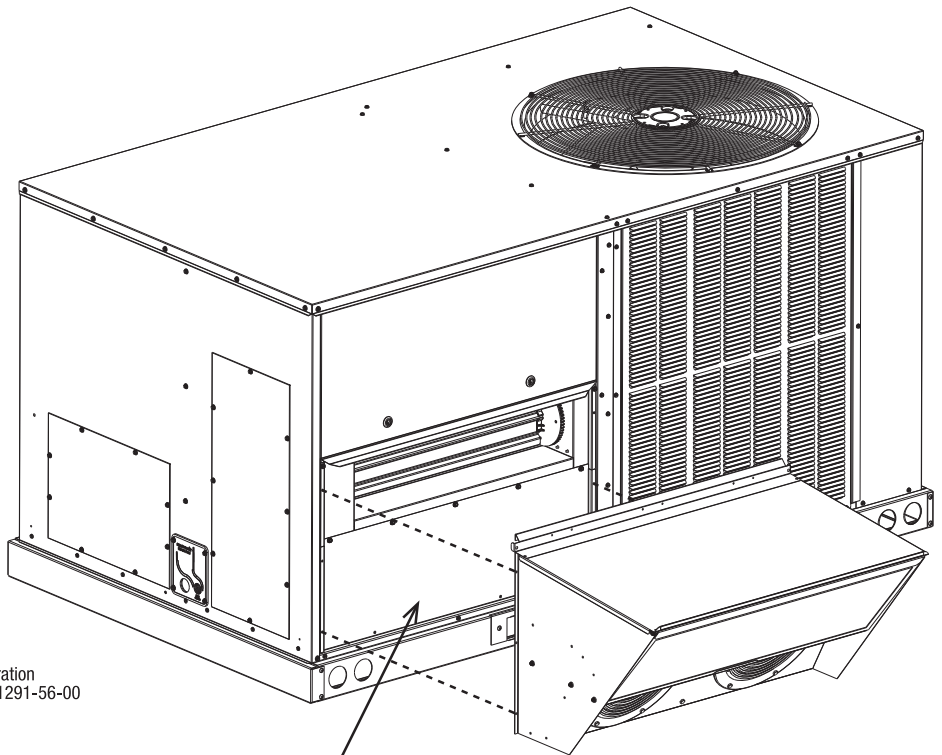


Illustration
ST-A1291-56-00

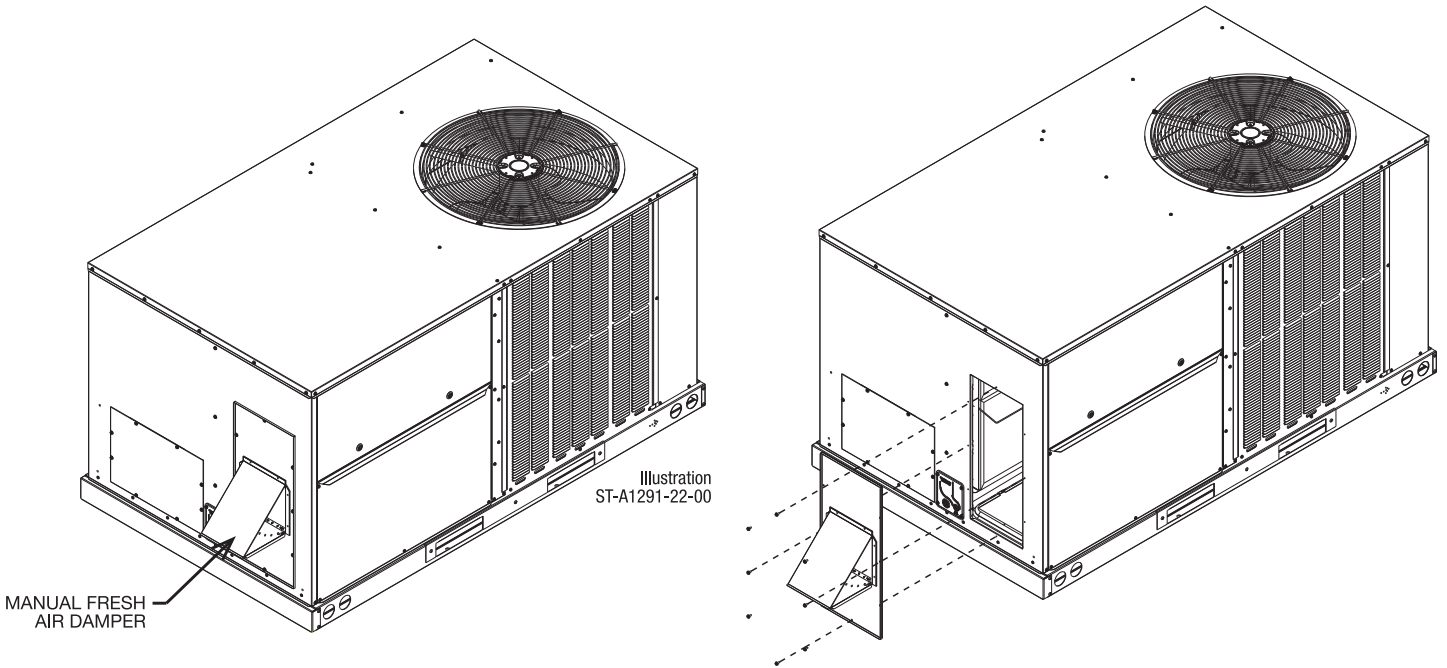
- Features **Siemens** Controls
- Gear Driven Direct Drive Actuator
- Adjustable to 2 positions
- Slip-In Design for Easy Installation
- Plug-In Polarized 12-pin and 4-pin Electrical Connections
- Pre-Configured – No Field Adjustments Necessary



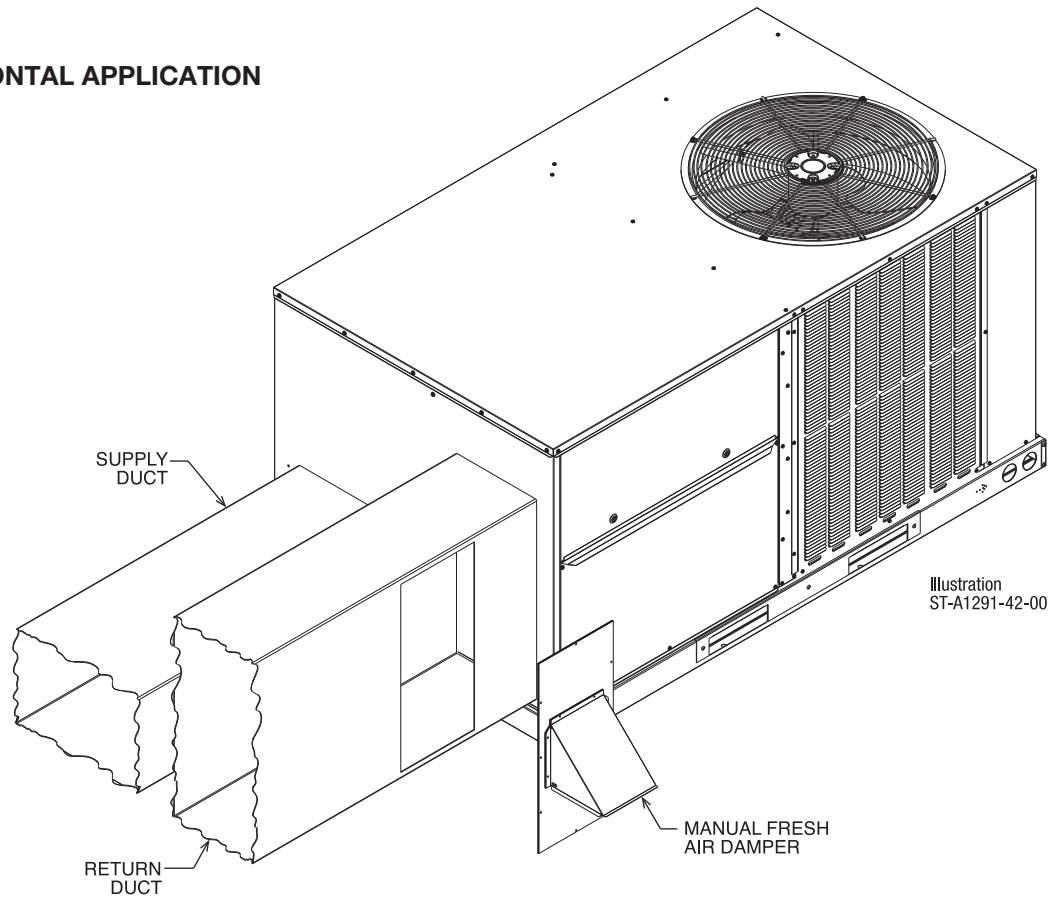
FRESH AIR DAMPER (Cont.)

RXRF-ACA1

DOWNFLOW APPLICATION



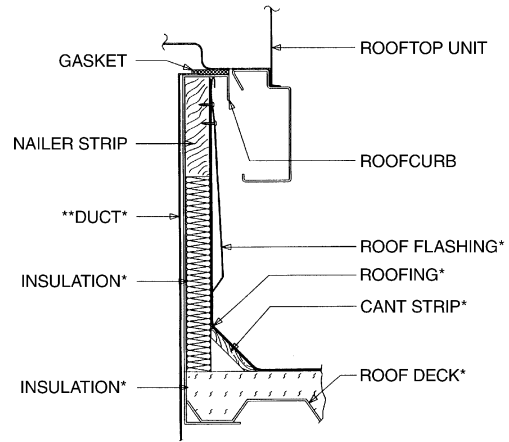
HORIZONTAL APPLICATION





ROOFCURBS (Full Perimeter)

- Rheem's roofcurb design can be utilized on all 3-5 ton [10.6-17.6 kW] RGEC- models.
- Two available heights (14" [356 mm] and 24" [610 mm]) for ALL models.
- Quick assembly corners for simple and fast assembly.
- Opening provided in bottom pan to match the "Thru the Curb" electrical, gas piping, condensate, connection opening provided on the unit base pan.
- 1" [25 mm] x 4" [102 mm] Nailers provided.
- Sealing gasket (40' [12.2 m]) provided with Roofcurb.
- Packaged for easy field assembly.



*BY CONTRACTOR

**FOR INSTALLATION OF DUCT AS SHOWN, USE RECOMMENDED DUCT SIZES FROM ROOFCURB INSTALLATION INSTRUCTIONS. FOR DUCT FLANGE ATTACHMENT TO UNIT, SEE UNIT INSTALLATION INSTRUCTIONS FOR RECOMMENDED DUCT SIZES.

Illustration
ST-A0743-02

View	Roofcurb Model	Height of Curb
A	RXKG-DCC14	14" [356 mm]
A	RXKG-DCC24	24" [610 mm]

ROOFCURB INSTALLATION

VIEW A

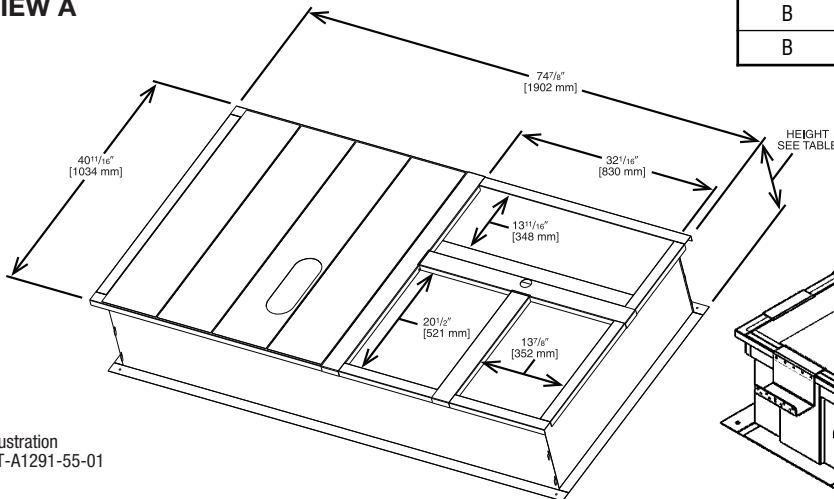
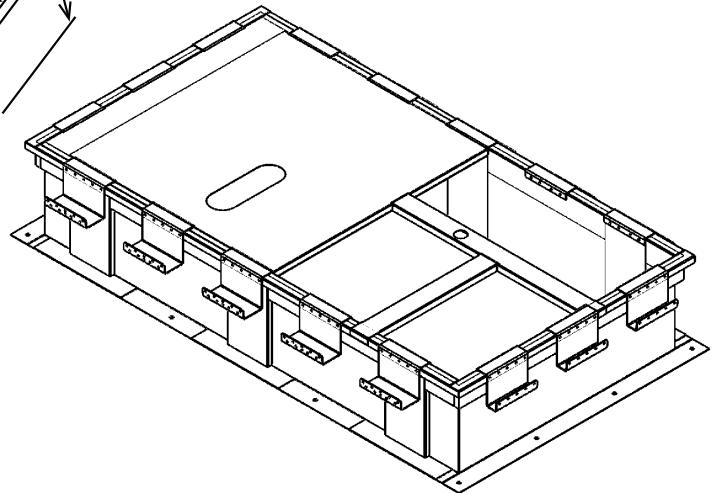


Illustration
ST-A1291-55-01

View	Roofcurb Model	Dimensions
B	RXKG-DC14	74.875" x 40.688" x 14.0"
B	RXKG-DC24	74.875" x 40.688" x 24.0"

WELDED ROOFCURB VIEW B

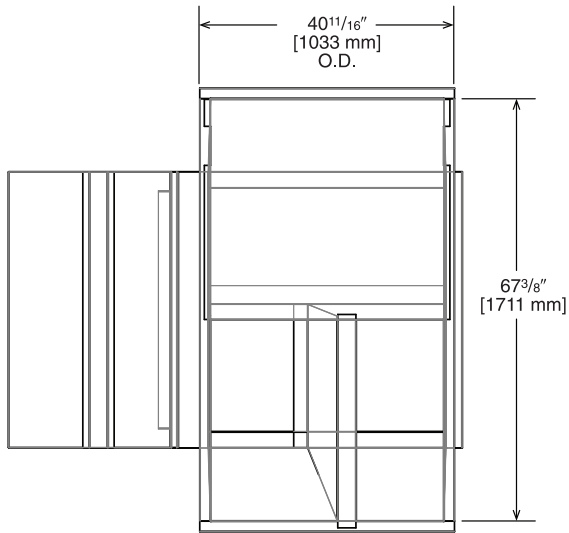


- State of Florida Approved: Approval Number FL 26981 for Technical Evaluation Report TER-20-28788 certifies the HVAC Unit and mounting methods for high wind resistance are compliant per Florida Building Code.

[] Designates Metric Conversions

ROOFCURB ADAPTERS (Cont.)

RXRX-DCCAE



Approximate Static Pressure Drop
@1200 CFM = 0.05" w.g.
@2000 CFM = 0.19" w.g.

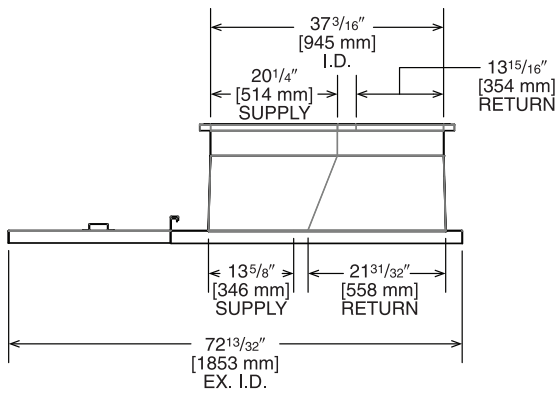
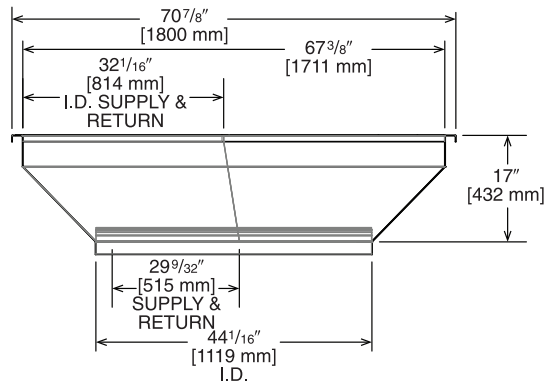
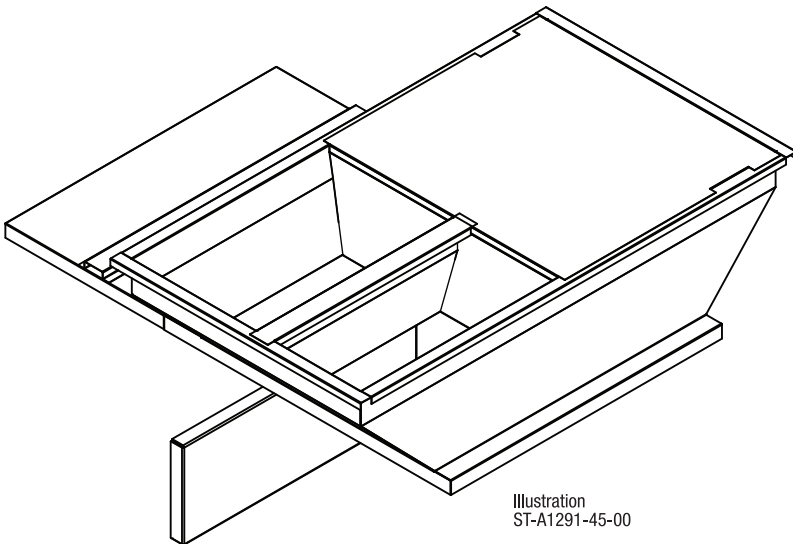


Illustration ST-A1291-44-00



TOP VIEW

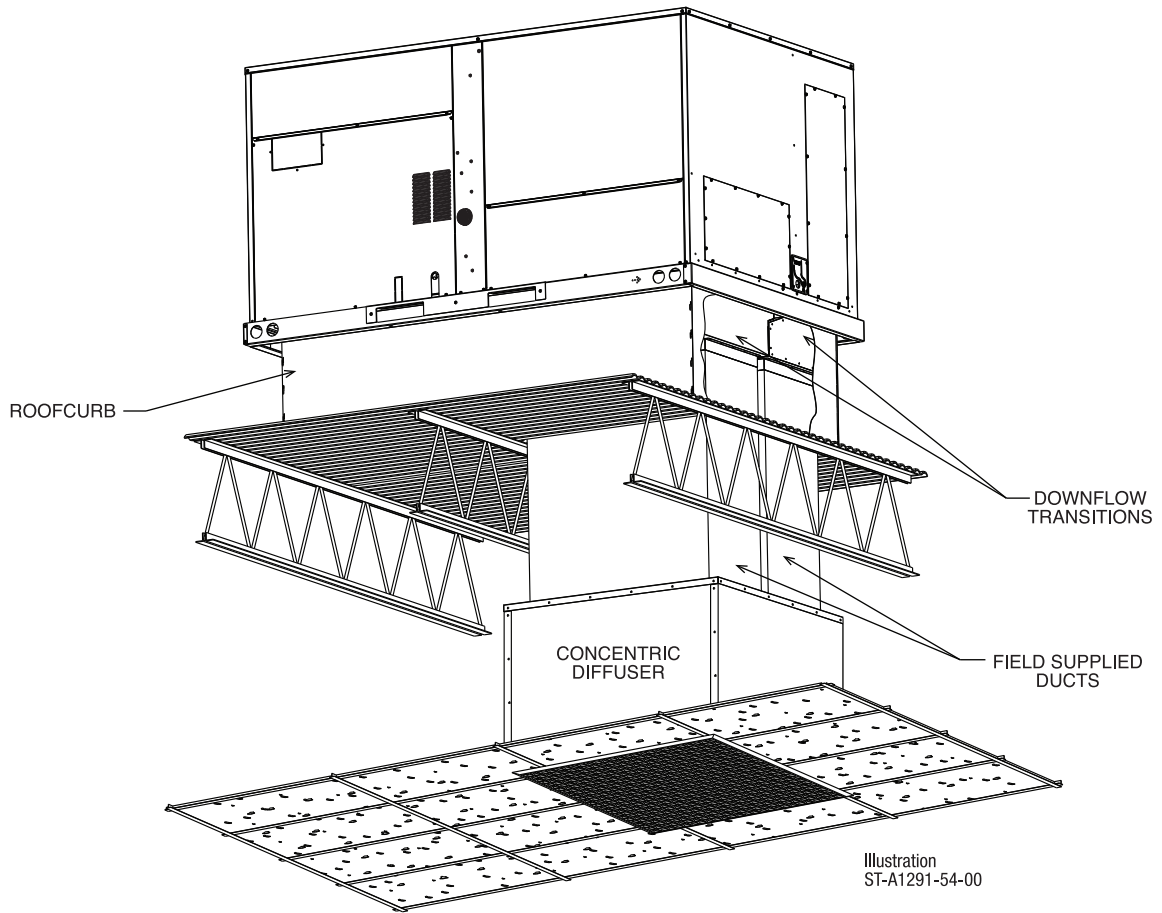


[] Designates Metric Conversions



Air

CONCENTRIC DIFFUSER APPLICATION

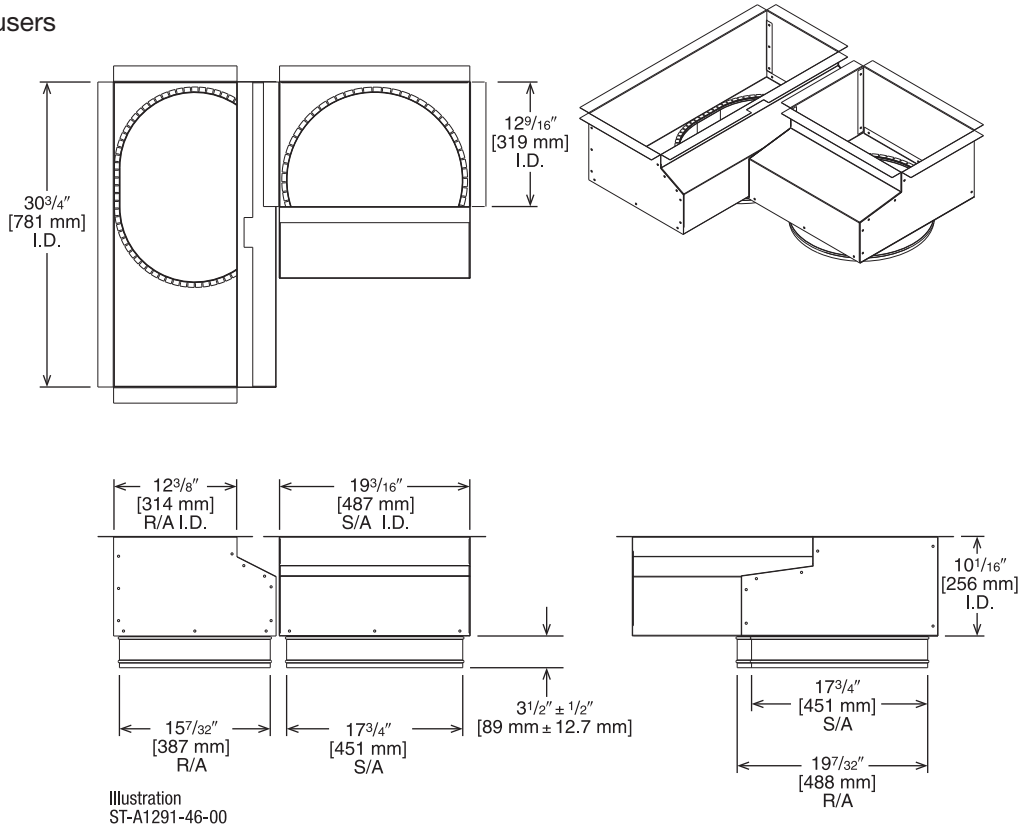




DOWNFLOW TRANSITION DRAWINGS

RXMC-DC01

- Used with AEF1800
or AED1800
Concentric Diffusers



[] Designates Metric Conversions

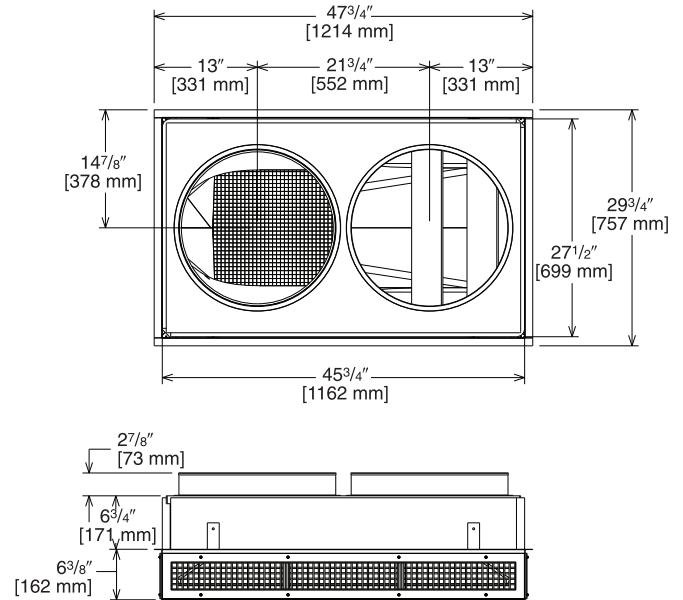
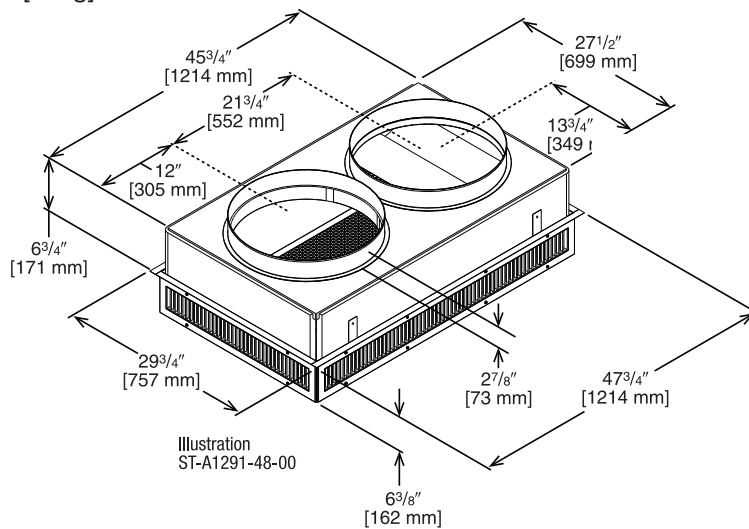


CONCENTRIC DIFFUSER – STEP DOWN

RXRN-AED1800 (3 and 4 Ton [10.6 and 14.1 kW] Models)

For Use With Downflow Transition (RXMC-DC01)
 and 18" [457 mm] Round Supply and Return Ducts

- All aluminum diffuser with aluminum return air eggcrate.
- Built-in anti-sweat gasket.
- Molded fiberglass supports.
- Built-in hanging supports.
- Diffuser box constructed of sheetmetal insulated with 1" [25.4 mm] 1.5 lbs. [.7 kg] duct liner.



ENGINEERING DATA^①

Model No.	Flow Rate CFM [L/s]	Throw ^{② ③} Feet [m]	Neck Velocity fpm [m/s]	Noise Level ^④ (dbA)
RXRN-AED1800	1000 [472]	9-23 [2.7-7.0]	391 [2.0]	12
	1200 [566]	10-24 [3.0-7.3]	469 [2.4]	15
	1400 [661]	12-26 [3.7-7.9]	547 [2.8]	19
	1600 [755]	13-28 [4.0-8.5]	625 [3.2]	21
	1800 [849]	15-30 [4.6-9.1]	703 [3.6]	26
	2000 [944]	17-32 [5.2-9.8]	781 [4.0]	30
	2400 [1133]	19-34 [5.8-10.4]	859 [5.8]	32

- NOTES:** ① All data is based on the air diffusion council guidelines.
 ② Throw data is based on 75 FPM Terminal Velocities using isothermal air.
 ③ Throw is based on diffuser blades being directed in a straight pattern.
 ④ Actual noise levels may vary due to duct design and do not include transmitted unit noise. Adequate duct attenuation must be provided to reduce sound output from the unit.

[] Designates Metric Conversions

FLUSH MOUNT CONCENTRIC DIFFUSER—FLUSH

RXRN-AEF1800 (3 and 4 Ton [10.6 and 14.1 kW])

For Use With Downflow Transition (RXMC-DC01)
18" [457 mm] Round Supply and Return Ducts

- All aluminum diffuser with aluminum return air eggcrate.
- Built-in anti-sweat gasket.
- Molded fiberglass supports.
- Built-in hanging supports.
- Diffuser box constructed of sheetmetal insulated with 1" [25.4 mm] 1.5 lbs. [.7 kg] duct liner.

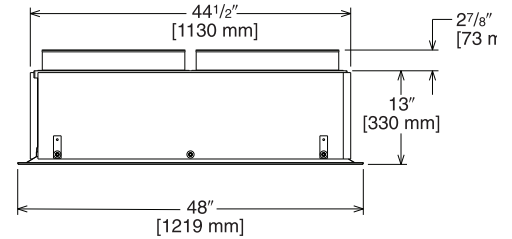
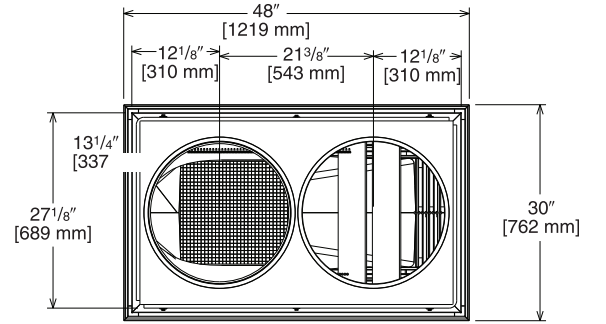
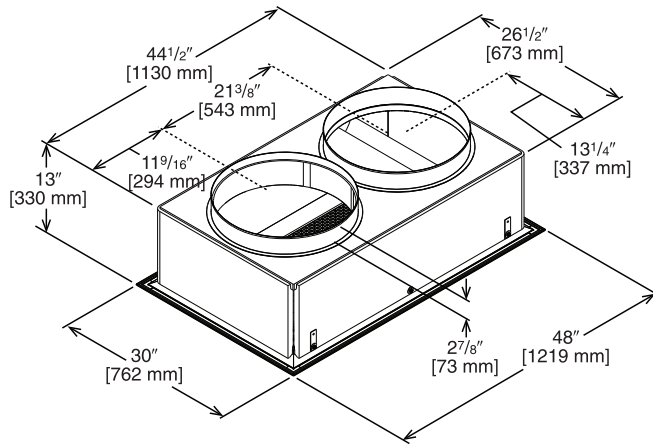


Illustration
ST-A1291-49-00

ENGINEERING DATA^①

Model No.	Flow Rate CFM [L/s]	Throw ^{② ③} Feet [m]	Neck Velocity fpm [m/s]	Noise Level ^④ (dbA)
RXRN-AEF1800	1000 [472]	9-12 [2.7-3.7]	663 [3.4]	20
	1200 [566]	12-16 [3.7-4.9]	714 [3.6]	25
	1400 [661]	15-20 [4.6-6.1]	765 [3.9]	30
	1600 [755]	17-23 [5.2-7]	816 [4.1]	30
	1800 [849]	20-26 [6.1-7.9]	867 [4.4]	35
	2000 [944]	22-29 [6.7-8.8]	918 [4.7]	40
	2400 [1133]	25-32 [7.6-9.8]	969 [4.9]	45

- NOTES:** ① All data is based on the air diffusion council guidelines.
 ② Throw data is based on 75 FPM Terminal Velocities using isothermal air.
 ③ Throw is based on diffuser blades being directed in a straight pattern.
 ④ Actual noise levels may vary due to duct design and do not include transmitted unit noise. Adequate duct attenuation must be provided to reduce sound output from the unit.

[] Designates Metric Conversions



DOWNFLOW TRANSITION DRAWINGS

RXMC-DC02

- Used with AEF2000 or AED2000 Concentric Diffusers.

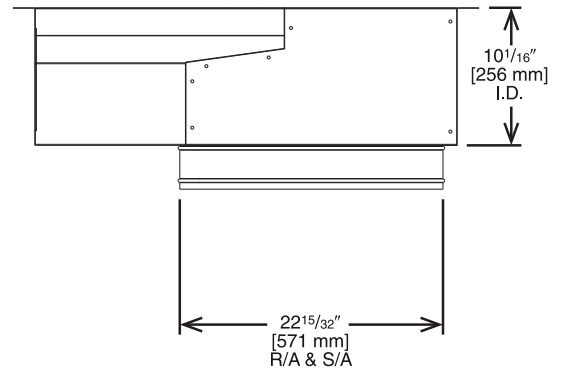
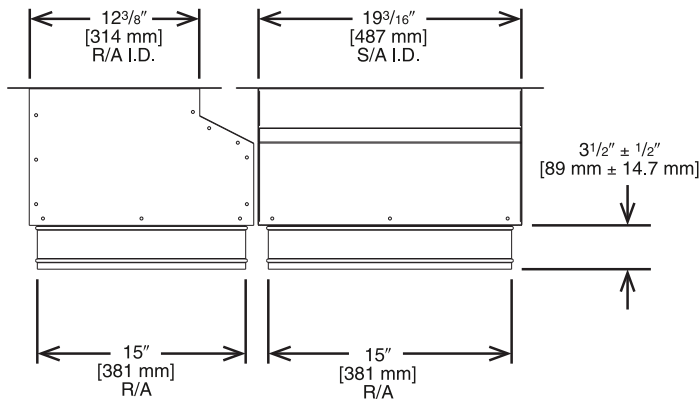
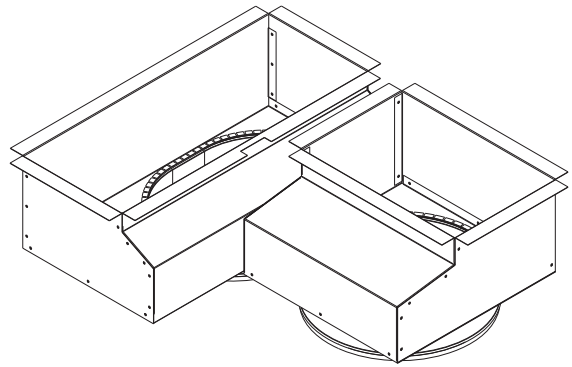
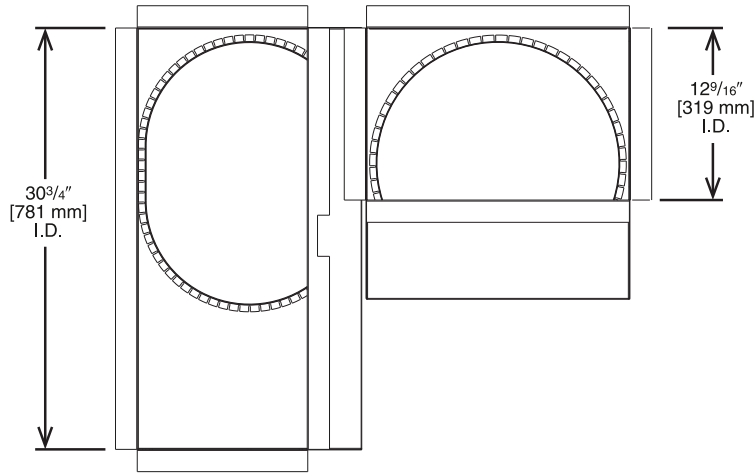


Illustration
ST-A1291-47-00

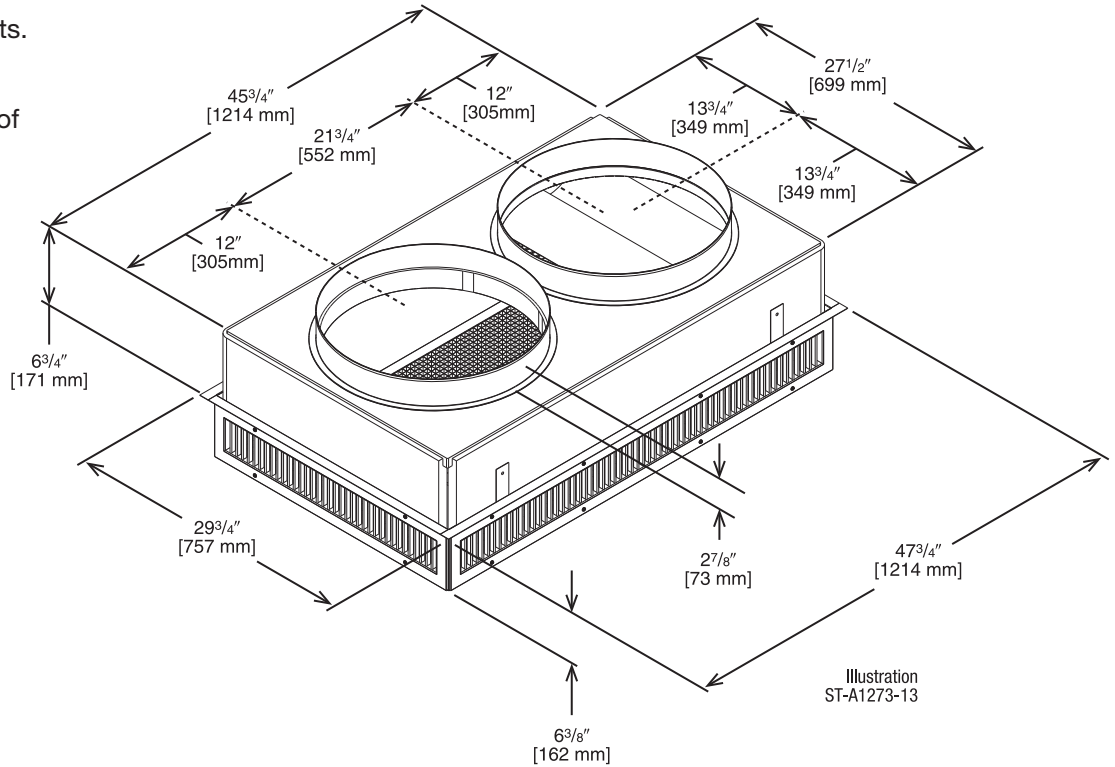
[] Designates Metric Conversions

CONCENTRIC DIFFUSER—STEP DOWN

RXRN-AED2000 (5 Ton [17.6 kW] Models)

For Use With Downflow Transition (RXMC-DC02) and 20" [508 mm] Round Supply and Return Ducts

- All aluminum diffuser with aluminum return air eggcrate.
- Built-in anti-sweat gasket.
- Molded fiberglass supports.
- Built-in hanging supports.
- Diffuser box constructed of sheetmetal insulated with 1" [25.4 mm] 1.5 lbs. [.7 kg] duct liner.



ENGINEERING DATA^①

Model No.	Flow Rate CFM [L/s]	Throw ^{② ③} Feet [m]	Neck Velocity fpm [m/s]	Noise Level ^④ (dbA)
RXRN-AED2000	2600 [1222]	22-39 [6.7-11.9]	669 [3.4]	32
	2800 [1316]	23-40 [7.1-12.2]	720 [3.7]	38
	3000 [1410]	25-42 [7.6-12.8]	772 [3.9]	40
	3200 [1504]	26-43 [7.9-13.1]	823 [4.2]	41
	3400 [1598]	27-45 [8.2-13.7]	874 [4.4]	42

- NOTES:**
- ① All data is based on the air diffusion council guidelines.
 - ② Throw data is based on 75 FPM Terminal Velocities using isothermal air.
 - ③ Throw is based on diffuser blades being directed in a straight pattern.
 - ④ Actual noise levels may vary due to duct design and do not include transmitted unit noise. Adequate duct attenuation must be provided to reduce sound output from the unit.

[] Designates Metric Conversions



FLUSH MOUNT CONCENTRIC DIFFUSER—FLUSH

RXRN-AEF2000 (5 Ton [17.6 kW])

For Use With Downflow Transition (RXMC-DC02)
20" [508 mm] Round Supply and Return Ducts

- All aluminum diffuser with aluminum return air eggcrate.
- Built-in anti-sweat gasket.
- Molded fiberglass supports.
- Built-in hanging supports.
- Diffuser box constructed of sheetmetal insulated with 1" [25.4 mm] 1.5 lbs. [.7 kg] duct liner.

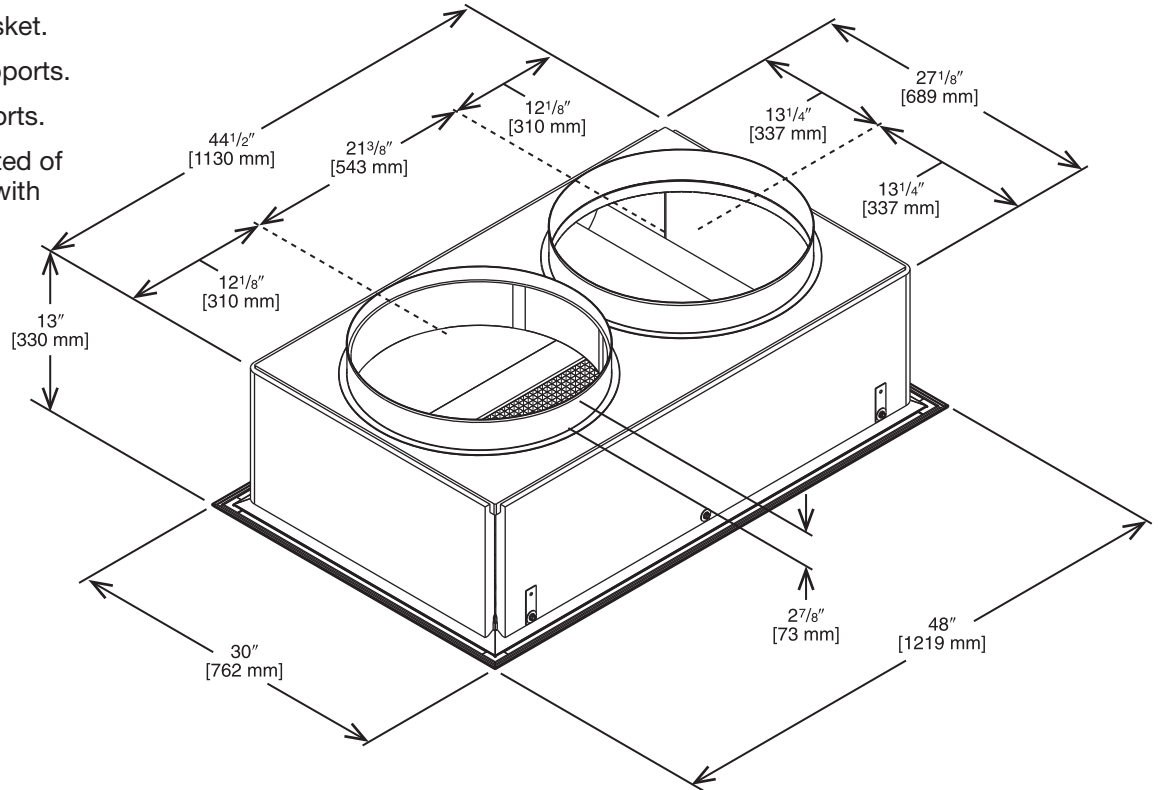


Illustration
ST-A1273-14-00

ENGINEERING DATA^①

Model No.	Flow Rate CFM [L/s]	Throw ^{② ③} Feet [m]	Neck Velocity fpm [m/s]	Noise Level ^④ (dba)
RXRN-AEF2000	2600 [1222]	17-24 [5.2-7.3]	663 [3.4]	30
	2800 [1316]	18-28 [5.5-8.5]	714 [3.6]	35
	3000 [1410]	20-30 [6.1-9.1]	765 [3.9]	35
	3200 [1504]	22-33 [6.7-10.1]	816 [4.1]	40
	3400 [1598]	23-37 [7-11.3]	867 [4.4]	40

- NOTES:** ① All data is based on the air diffusion council guidelines.
 ② Throw data is based on 75 FPM Terminal Velocities using isothermal air.
 ③ Throw is based on diffuser blades being directed in a straight pattern.
 ④ Actual noise levels may vary due to duct design and do not include transmitted unit noise. Adequate duct attenuation must be provided to reduce sound output from the unit.

[] Designates Metric Conversions



Guide Specifications RGEC—036–060

You may copy this document directly into your building specification. This specification is written to comply with the 2016 version of the “master format” as published by the Construction Specification Institute. www.csinet.org.

GAS HEAT PACKAGED ROOFTOP

HVAC Guide Specifications

Size Range: 3 to 6 Nominal Tons

Section	Description
---------	-------------

23 06 80	Schedules for Decentralized HVAC Equipment
-----------------	---

23 06 80.13	Decentralized Unitary HVAC Equipment Schedule
--------------------	--

23 06 80.13.A.	Rooftop unit schedule
----------------	-----------------------

1. Schedule is per the project specification requirements.

23 07 16	HVAC Equipment Insulation
-----------------	----------------------------------

23 07 16.00.A.	Evaporator fan compartment:
----------------	-----------------------------

1. Interior cabinet surfaces shall be insulated with a minimum 1/2-in. thick, minimum 1.6 LB density, flexible fiberglass insulation bonded with foil face on the air side.
2. Insulation and adhesive shall meet NFPA 90A requirements for flame spread and smoke generation.
3. Insulation shall also be mechanically fastened with welded pin and retainer washer.

23 07 16.00.B.	Gas heat compartment:
----------------	-----------------------

1. Aluminum foil-faced fiberglass insulation shall be used.
2. Insulation and adhesive shall meet NFPA 90A requirements for flame spread and smoke generation.
3. Insulation shall also be mechanically fastened with welded pin and retainer washer.

23 09 13	Instrumentation and Control Devices for HVAC
-----------------	---

23 09 13.23	Sensors and Transmitters:
--------------------	----------------------------------

23 09 13.23.A.	Thermostats
----------------	-------------

1. Thermostat must
 - a. energize both “W” and “G” when calling for heat.
 - b. have capability to energize 1 stage of cooling, and at least 1 stage of heating.
 - c. must include capability for occupancy scheduling.

23 09 33	Electric and Electronic Control System for HVAC
-----------------	--

23 09 33.00.A.	General:
----------------	----------

1. Shall be complete with self-contained low-voltage control circuit protected by a fuse on the 24-V transformer side.
2. Shall utilize color-coded wiring.
3. Unit shall include self-contained low-voltage control circuit protected by a fuse on the 24-V transformer side.
4. The heat exchanger shall be controlled by the Core Command microprocessor. See heat exchanger section of this specification.
5. Unit shall include a minimum of one 8-pin screw terminal connection board for connection of control wiring.

23 09 33.00.B.	Safeties:
----------------	-----------

1. Compressor over-temperature, over current.
2. Low-pressure switch.
 - a. Units shall have low pressure, loss of charge automatic reset device that will shut off compressor when tripped.
3. High-pressure switch.
 - a. Unit shall be equipped with high pressure switch device that will shut off compressor when tripped.
4. Automatic reset, motor thermal overload protector.
5. Heating section shall be provided with the following minimum protections:
 - a. High-temperature limit switches.
 - b. Induced draft motor pressure switch.
 - c. Flame rollout switch.
 - d. Flame proving controls.

23 09 93 Sequence of Operations for HVAC Controls

23 09 93.00 INSERT SEQUENCE OF OPERATION

23 41 13 Panel Air Filters

23 41 13.00.A. Standard filter section shall

1. Shall consist of factory-installed, low velocity, throwaway 2-in. thick fiberglass filters of commercially available sizes.
2. Unit will accept both 2-in. and 4-in. filters.
3. Filter face velocity shall not exceed 365 fpm at nominal airflows.
4. Filters shall be accessible through an access panel with “no-tool” removal as described in the unit cabinet section of the specification (23 81 19.13.H).

23 81 19 Self-Contained Air Conditioners

23 81 19.13 Small Capacity Self-Contained Air Conditioners

23 81 19.13.A. General

1. Outdoor, rooftop mounted, electrically controlled, heating and cooling unit utilizing a(n) hermetic scroll compressor(s) for cooling duty and gas combustion for heating duty.
2. Factory assembled, single-piece heating and cooling rooftop unit. Contained within the unit enclosure shall be all factory wiring, piping, controls, and special features required prior to field start-up.
3. Unit shall use environmentally safe, R410A refrigerant.
4. Unit shall be installed in accordance with the manufacturer’s instructions.
5. Unit must be selected and installed in compliance with local, state, and federal codes.

23 81 19.13.B. Quality Assurance

1. Unit meets ASHRAE 90.1 2016 minimum efficiency requirements.
2. 3 phase units are Energy Star qualified.
3. Unit shall be rated in accordance with AHRI Standards 210/240 or 340/360 and 10 CFR appendix M1 to subpart B or part 430.
4. Unit shall be designed to conform to ASHRAE 15.
5. Unit shall be UL-tested and certified in accordance with ANSI Z21.47 Standards and UL-listed and certified under Canadian standards as a total package for safety requirements.
6. Insulation and adhesive shall meet NFPA 90A requirements for flame spread and smoke generation.
7. Unit casing shall be capable of withstanding 1000-hour salt spray exposure per ASTM B117 (scribed specimen).
8. Unit shall be designed in accordance with ISO 9001:2015, and shall be manufactured in a facility registered by ISO 9001:2015.
9. Roof curb shall be designed to conform to NRCA Standards.
10. Unit shall be subjected to a completely automated run test on the assembly line. The data for each unit will be stored at the factory, and must be available upon request.
11. Unit shall be designed in accordance with UL Standard 1995, Fifth Ed. including tested to withstand rain.

23 81 19.13.C. Delivery, Storage, and Handling

1. Unit shall be stored and handled per manufacturer’s recommendations.
2. Lifted by crane requires either shipping top panel or spreader bars.
3. Unit shall only be stored or positioned in the upright position.

23 81 19.13.E. Project Conditions

1. As specified in the contract.

23 81 19.13.F. Operating Characteristics

1. Unit shall be capable of starting and running at 115°F (46°C) ambient outdoor temperature, meeting maximum load criteria of AHRI Standard 210/240 or 340/360 at ± 10% voltage.
2. Compressor with standard controls shall be capable of operation down to 50°F (10°C), ambient outdoor temperatures. Low ambient accessory kit is necessary if mechanically cooling at ambient temperatures to 0°F (-17.7°C).
3. Unit shall discharge supply air vertically or horizontally as shown on contract drawings.
4. Unit shall be factory configured for vertical supply & return configurations.
5. Unit shall be field convertible from vertical to horizontal configuration.

23 81 19.13.G. Electrical Requirements

1. Main power supply voltage, phase, and frequency must match those required by the manufacturer.

23 81 19.13.H. Unit Cabinet

1. Unit cabinet shall be constructed of galvanized steel.
2. Unit cabinet exterior paint shall be: pre-painted steel.
3. Evaporator fan compartment interior cabinet insulation shall conform to AHRI Standards 210 or 360 minimum exterior sweat criteria. Interior surfaces shall be insulated with a minimum 1/2-in. thick, 1.6 lb density, flexible fiberglass insulation, foil faced on the air side. Aluminum foil-faced fiberglass insulation shall be used in the gas heat compartment.
4. Base of unit shall have a location for thru-the-base gas and electrical connections standard.
5. Base Rail
 - a. Unit shall have base rails on a minimum of 4 sides.
 - b. Holes shall be provided in the base rails for rigging shackles to facilitate maneuvering and overhead rigging.
 - c. Holes shall be provided in the base rail for moving the rooftop for fork truck.
 - d. Base rail shall be a minimum of 14 gauge thickness.
6. Condensate pan and connections:
 - a. Shall be a sloped condensate drain pan made of a non-corrosive material and be removable for cleaning.
 - b. Shall comply with ASHRAE Standard 62.
 - c. Shall use a 3/4" NPT drain connection, possible either through the bottom or side of the drain pan. Connection shall be made per manufacturer's recommendations.
 - d. Shall be able to be easily removed.
7. Top panel:
 - a. Shall be a single piece top panel over indoor section.
8. Gas Connections:
 - a. All gas piping connecting to unit gas valve shall enter the unit cabinet at a single location on side of unit (horizontal plane).
 - b. Thru-the-base capability
 - i. Standard unit shall have a thru-the-base gas-line location using a continuous raised, flange around opening in the basepan.
 - ii. No basepan penetration, other than those authorized by the manufacturer, is permitted.
9. Electrical Connections
 - a. All unit power wiring shall enter unit cabinet a a single, factory-prepared, continuous raised flange opening in the basepan.
 - b. Thru-the-base capability
 - i. Standard unit shall have a thru-the-base electrical location(s) using a raised, continuous raised flange opening in the basepan.
 - ii. No basepan penetration, other than those authorized by the manufacturer, is permitted.
10. Component access panels (standard)
 - a. Cabinet panels shall be easily opened for servicing.
 - b. Panels covering control box, indoor fan, indoor fan motor, gas components (where applicable), and filters shall have hinges with 1/4 turn fasteners on units with factory-installed hinged option.
 - c. 1/4 fasteners shall be permanently attached.

23 81 19.13.I. Gas Heat

1. General
 - a. Heat exchanger shall be an induced draft design. Positive pressure heat exchanger designs shall not be allowed.
 - b. Shall incorporate a direct-spark ignition system and redundant main gas valve.
 - c. Heat exchanger design shall allow combustion process condensate to gravity drain; maintenance to drain the gas heat exchanger shall not be required.
 - d. Gas supply pressure at the inlet to the rooftop unit gas valve must match that required by the manufacturer.
2. The heat exchanger shall be controlled by the Core Command microprocessor.
 - a. The Core Command board shall notify users of fault using two 7 segment displays.

3. Standard Heat Exchanger construction
 - a. Heat exchanger shall be of the tubular-section type constructed of a minimum of 20-gauge steel coated with a nominal 1.2 mil aluminum-silicone alloy for corrosion resistance.
 - b. Burners shall be of the in-shot type constructed of aluminum-coated steel.
 - c. Burners shall incorporate orifice for rated heat output up to 2,000 ft. (610m) elevation with a gas heating valve of 1050. Alternate orifices may be required depending on local gas heating valves and elevations.
 - d. Each heat exchanger tube shall contain restrictions similar to dimples for increased heating effectiveness.
4. Optional Stainless Steel Heat Exchanger construction
 - a. Use energy saving, direct-spark ignition system.
 - b. Use a redundant main gas valve.
 - c. Burners shall be of the in-shot type constructed of aluminum-coated steel.
 - d. All gas piping shall enter the unit cabinet at a single location on side of unit (horizontal plane).
 - e. The optional stainless steel heat exchanger shall be of the tubular-section type, constructed of a minimum of 20-gauge type 409 stainless steel.
 - f. Type 409 stainless steel shall be used in heat exchanger tubes.
5. Induced draft combustion motor and blower
 - a. Shall be a direct-drive, single inlet, forward-curved centrifugal type.
 - b. Shall be made from steel with a corrosion-resistant finish.
 - c. Shall be permanently lubricated sealed bearings.
 - d. Shall have inherent thermal overload protection.
 - e. Shall have an automatic reset feature.

23 81 19.13.J. Coils

1. Standard Aluminum/MicroChannel Coils:
 - a. Standard evaporator and condenser coils shall be aluminum.
 - b. Evaporator and condenser coils shall be leak tested to 150 psig, pressure tested to 400 psig, and qualified to burst test at 2,200 psi.

23 81 19.13.K. Refrigerant Components

1. Refrigerant circuit shall include the following control, safety, and maintenance features:
 - a. TXV metering system shall prevent mal-distribution of two-phase refrigerant.
 - b. Refrigerant filter drier.
 - c. Service gauge connections on suction and discharge lines.
 - d. External pressure gauge ports access shall be located in front exterior of cabinet.
2. Compressors
 - a. Unit shall use one fully hermetic scroll compressor.
 - b. 3-5 ton ZR units include one single-stage compressor.
 - c. 3-6 ton ZT units include one two-stage compressor.
 - d. Compressor motors shall be cooled by refrigerant gas passing through motor windings.
 - e. Compressors shall be internally protected from high discharge temperature conditions.
 - f. Compressors shall be protected from an over-temperature and over-amperage conditions by an internal, motor overload device.
 - g. Compressor shall be factory mounted on rubber grommets.
 - h. Compressor motors shall have internal line break thermal and current overload protection.
 - i. Crankcase heaters shall not be required for normal operating range.
 - j. Compressor shall have molded electrical plug.

23 81 19.13.L. Filter Section

1. Filters access is specified in the unit cabinet section of this specification.
2. Filters shall be held in place by metal rods, facilitating easy removal and installation.
3. Shall consist of factory-installed, low velocity, throw-away 2-in. thick fiberglass filters.
4. Filter face velocity shall not exceed 320 fpm at nominal airflows.
5. Filters shall be standard, commercially available sizes.
6. Only one size filter per unit is allowed.

23 81 19.13.M. Evaporator Fan and Motor

1. Evaporator fan motor:
 - a. Shall have permanently lubricated bearings
 - b. Shall have inherent automatic-reset thermal overload protection.
2. Direct Drive Evaporator Fan:
 - a. Direct drive ECM technology with (5) dedicated speed selections as follows: fan, low gas heat, high gas heat, AC low static, AC high static.
 - b. Blower fan shall be double-inlet type with forward-curved blades.
 - c. Shall be constructed from steel with a corrosion resistant finish and dynamically balanced.

23 81 19.13.N. Condenser Fans and Motors

1. Condenser fan motors:
 - a. Shall be a totally enclosed motor.
 - b. Shall use permanently lubricated bearings.
 - c. Shall have inherent thermal overload protection with an automatic reset feature.
 - d. Shall use a shaft-down design. Shaft-up designs including those with “rain-slinger devices” shall not be allowed.
2. Condenser Fans shall:
 - a. Shall be a direct-driven propeller type fan
 - b. Shall have blades riveted to corrosion-resistant steel spiders and shall be dynamically balanced.

23 81 19.13.O. Special Features

1. Integrated Economizers:
 - a. Integrated, gear-driven parallel modulating blade design type capable of simultaneous economizer and compressor operation.
 - b. Independent modules for vertical or horizontal return configurations shall be available. Vertical return modules shall be available as a factory installed option.
 - c. Damper blades shall be galvanized steel with metal gears. Plastic or composite blades on intake or return shall not be acceptable.
 - d. Shall include all hardware and controls to provide free cooling with outdoor air when temperature and/or humidity are below setpoints.
 - e. Shall be equipped with gear driven dampers for both the outdoor ventilation air and the return air for positive air stream control.
 - f. Shall be equipped with low-leakage dampers, not to exceed 2% leakage at 1 in. wg pressure differential.
 - g. Shall be capable of introducing up to 100% outdoor air.
 - h. Shall be equipped with a barometric relief damper capable of relieving up to 100% return air.
 - i. Shall be designed to close damper(s) during loss-of-power situations with spring return built into motor.
 - j. Enthalpy sensor shall be provided as standard. Outdoor air sensor set point shall be adjustable and shall range from 40 to 100°F / 4 to 38°C. Additional sensor options shall be available as accessories.
 - k. The economizer controller shall also provide control of an accessory power exhaust unit function. Factory set at 70%, with a range of 0% to 100%.
 - l. The economizer shall maintain minimum airflow into the building during occupied period and provide design ventilation rate for full occupancy. A remote potentiometer may be used to override the damper set point.
 - m. Dampers shall be completely closed when the unit is in the unoccupied mode.
 - n. Economizer controller shall accept a 2-10Vdc CO₂ sensor input for IAQ/DCV control. In this mode, dampers shall modulate the outdoor-air damper to provide ventilation based on the sensor input.
 - o. Actuator shall be direct coupled to economizer gear. No linkage arms or control rods shall be acceptable.
 - p. Economizer controller shall provide indications when in free cooling mode, in the DCV mode, or the exhaust fan contact is closed.
 - q. Economizer wire harness will have provision for smoke detector.
2. Manual damper
 - a. Manual damper package shall consist of damper, air inlet screen, and rain hood which can be preset to admit up to 50% outdoor air for year round ventilation.

3. Liquid Propane (LP) Conversion Kit (sold separately)
 - a. Kit shall contain all the necessary hardware and instructions to convert a standard natural gas unit for use with liquefied propane, up to 2000 ft (610m) elevation.
4. Condenser Coil Hail Guard Assembly
 - a. Shall protect against damage from hail.
 - b. Shall be louvered style.
5. Unit-Mounted, Non-Fused Disconnect Switch:
 - a. Switch shall be factory-installed, internally mounted.
 - b. National Electric Code (NEC) and UL approved non-fused switch shall provide unit power shutoff.
 - c. Shall be accessible from outside the unit.
 - d. Shall provide local shutdown and lockout capability.
6. Convenience Outlet:
 - a. Non-Powered convenience outlet.
 - b. Outlet shall be powered from a separate 115-120v power source.
 - c. A transformer shall not be included.
 - d. Outlet shall be field-installed and internally mounted with easily accessible 115-v female receptacle.
 - e. Outlet shall include 15 amp GFI receptacle with independent fuse protection.
 - f. Outlet shall be accessible from outside the unit.
7. Flue:
 - a. Flue discharge shall direct unit exhaust horizontally and have the capability of being directed vertically.
8. Propeller Power Exhaust:
 - a. Power exhaust shall be used in conjunction with an integrated economizer.
 - b. Independent modules for vertical or horizontal return configurations shall be available.
 - c. Horizontal power exhaust is shall be mounted in return ductwork.
 - d. Power exhaust shall be controlled by economizer controller operation. Exhaust fans shall be energized when dampers open past the 0-100% adjustable setpoint on the economizer control.
9. Roof Curbs (Vertical):
 - a. Formed galvanized steel with wood nailer strip and shall be capable of supporting entire unit weight.
 - b. Permits installation and securing of ductwork to curb prior to mounting unit on the curb.
10. Return Air Enthalpy Sensor:
 - a. The return air enthalpy sensor shall be used in conjunction with an outdoor air enthalpy sensor to provide differential enthalpy control.
11. Indoor Air Quality (CO2) Sensor:
 - a. Shall be able to provide demand ventilation indoor air quality (IAQ) control.
 - b. The IAQ sensor shall be available in duct mount, wall mount, or wall mount with LED display. The set point shall have adjustment capability.

12. Smoke detectors:
 - a. Shall be a Four-Wire Controller and Detector.
 - b. Shall be environmental compensated with differential sensing for reliable, stable, and drift-free sensitivity.
 - c. Shall use magnet-activated test/reset sensor switches.
 - d. Shall have tool-less connection terminal access.
 - e. Shall have a recessed momentary switch for testing and resetting the detector.
 - f. Controller shall include:
 - i. One set of normally open alarm initiation contacts for connection to an initiating device circuit on a fire alarm control panel
 - ii. Two Form-C auxiliary alarm relays for interface with rooftop unit or other equipment
 - iii. One Form-C supervision (trouble) relay to control the operation of the Trouble LED on a remote test/reset station
 - iv. Capable of direct connection to two individual detector modules.
 - v. Can be wired to up to 14 other duct smoke detectors for multiple fan shutdown applications.
13. Barometric relief
 - a. Shall include damper, seals, hard-ware, and hoods to relieve excess building pressure.
 - b. Damper shall gravity-close upon shutdown.
14. Time Guard
 - a. Shall prevent compressor short cycling by providing a 5-minute delay (± 2 minutes) before restarting a compressor after shutdown for any reason.
 - b. One device shall be required per compressor.

BEFORE PURCHASING THIS APPLIANCE, READ IMPORTANT ENERGY COST AND EFFICIENCY INFORMATION AVAILABLE FROM YOUR RETAILER.

GENERAL TERMS OF LIMITED WARRANTY*

Rheem will furnish a replacement for any part of this product which fails in normal use and service within the applicable periods stated, in accordance with the terms of the limited warranty.

***For complete details of the Limited and Conditional Warranties, including applicable terms and conditions, contact your local contractor or the Manufacturer for a copy of the product warranty certificate.**

Compressor	Commercial ApplicationsFive (5) Years
Aluminized Heat Exchanger	Commercial ApplicationsTen (10) Years
Stainless Steel Heat Exchanger	Commercial ApplicationsTwenty (20) Years
Parts	Commercial ApplicationsOne (1) Year



The new degree of comfort.™

Before proceeding with installation, refer to installation instructions packaged with each model, as well as complying with all Federal, State, Provincial, and Local codes, regulations, and practices.

© 2023 Rheem Manufacturing Company. Rheem trademarks owned by Rheem Manufacturing Company.

In keeping with its policy of continuous progress and product improvement, Rheem reserves the right to make changes without notice.

Rheem Heating, Cooling & Water Heating • 5600 Old Greenwood Road
Fort Smith, Arkansas 72908 • www.rheem.com

Rheem Canada Ltd./Ltée • 125 Edgeware Road, Unit 1
Brampton, Ontario • L6Y 0P5



INTEGRATED AIR & WATER