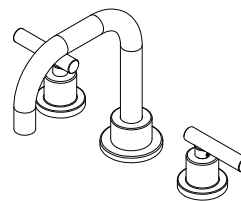




Two-Handle Widespread Lavatory Faucet Install Guide



Reference only

Note:
This install guide is applicable for all two-handle widespread lavatory faucets.

Warranty

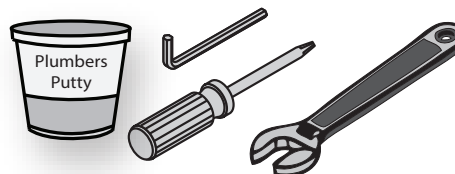
Limited Lifetime - for residential installations.
10 Years - for commercial/industrial installations.
Refer to www.symmons.com/warranty for complete warranty information.



Product Care

Clean finished trim area with a soft cloth using mild soap and water or a non-abrasive cleaner, and then quickly rinse with water.

Tools Required



Installation

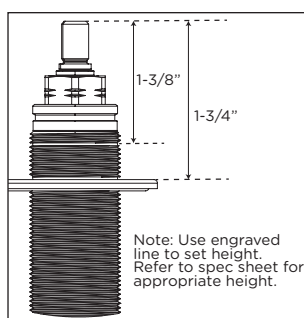
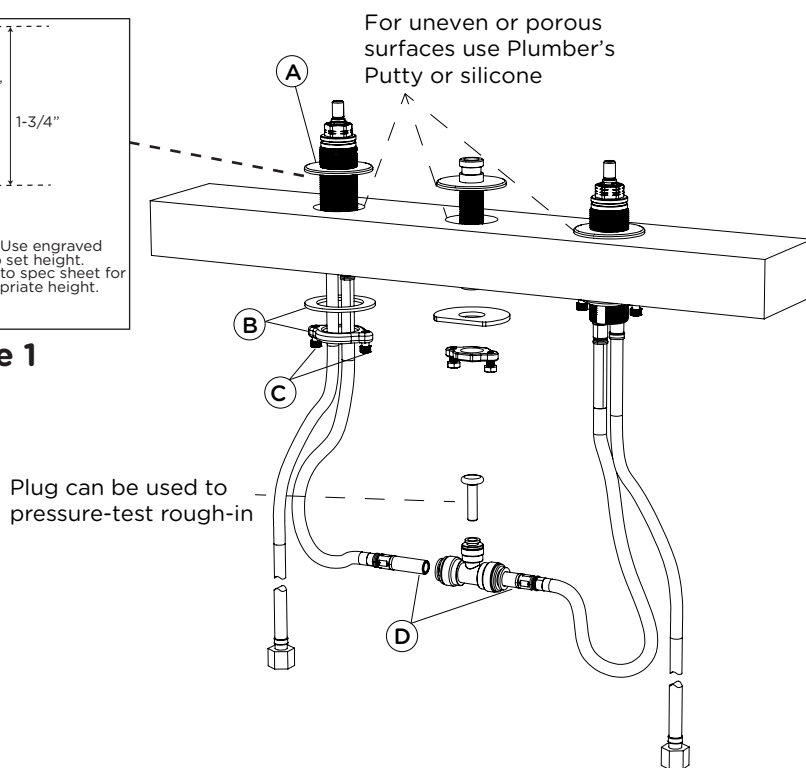


Figure 1



Step 1:

Thread the washer (A) to the appropriate engraved line on each valve as shown in Figure 1.

Refer to Table 1 for the appropriate washer height for each specific model number.

Step 2:

Pass the braided hoses and bottom of the valve through the appropriate hole (hot on left and cold on right - see red and blue markings on hoses for reference).

Step 3:

Place washer and jack screw plate (B) over hoses and thread onto the bottom of the valve. Do not tighten all the way.

Step 4:

Use the faucet handle to set the orientation of the valve stem.

Step 5:

Tighten jack screws (C).

Step 6:

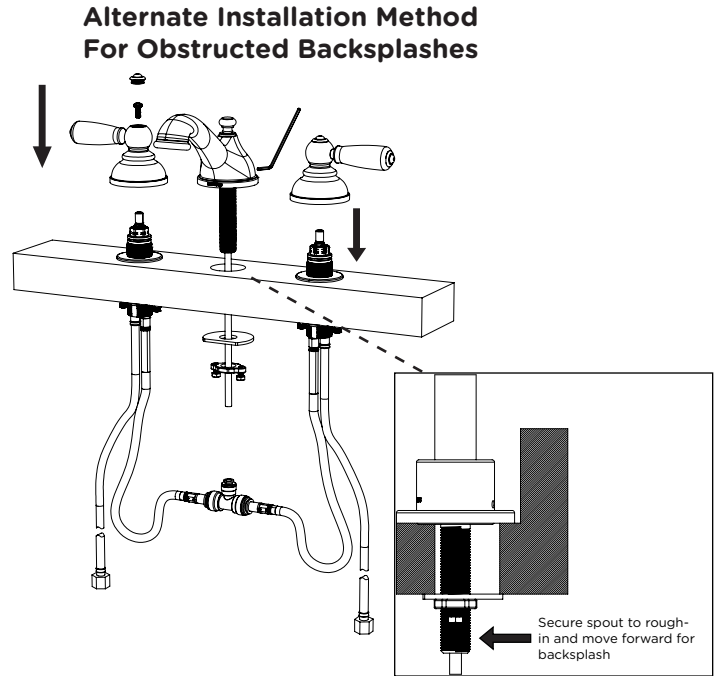
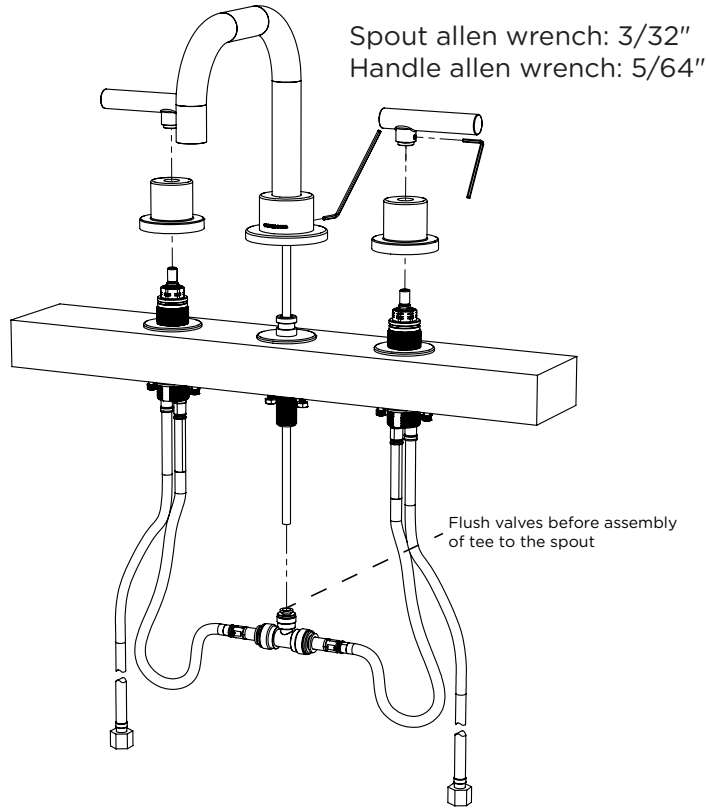
Insert tubes (D) into tee.

Table 1

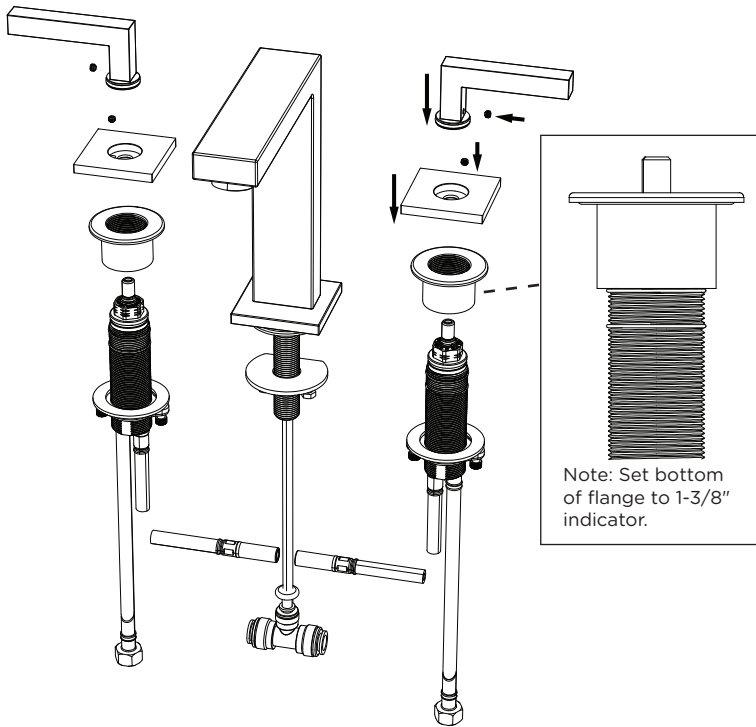
Washer Height - 1-3/8"	Washer Height - 1-3/4"	
SLW3612PP	S244	SLW5812PP
SLW4712PP	SLW3512PP	SLW5912PP
SLW5512PP	SLW4912PP	SLW6712PP
	SLW5612PP	SLW8312RP



SYMMONS®

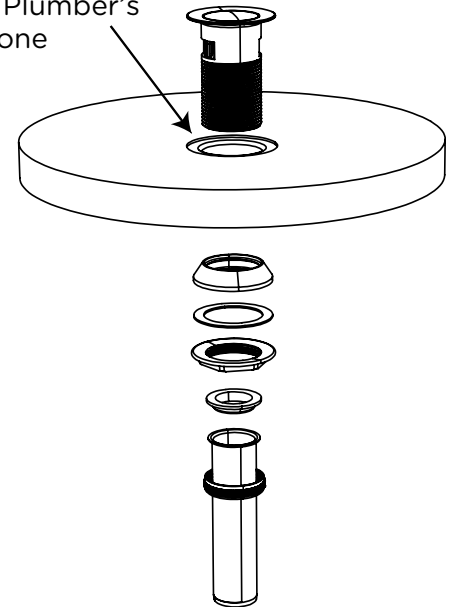


Duro Mounting Hardware Installation



Push-Pop Drain Installation

For uneven or porous surfaces use Plumber's Putty or silicone



⚠ WARNING: This product can expose you to chemicals including lead, which is known to the state of California to cause cancer, birth defects, or other reproductive harm. For more information, go to www.P65Warnings.ca.gov.