

30" REFRIGERATOR COLUMN WITH SOLID STAINLESS STEEL DOOR

TR-30REF-R/L-SS-C

TR-30REF-R-SS-C (Right hinged)

TR-30REF-L-SS-C (Left hinged)

FEATURES

- Environmentally friendly R600a refrigerant
- Balanced, forced-air refrigeration system enables proper airflow and even temperature throughout to keep food fresh.
- Industry exclusive, 300-series stainless steel interior and exterior.
- All stainless steel, beautifully crafted proud hinges pass True's rigorous one million door opening test.
- Beautifully crafted solid stainless steel door with 120° stay-open feature and ergonomically designed, robust, tubular handle.
- Commercially inspired lift-up grill on top of the unit with toe kick that complements the look of True's undercounter units.
- Ramp-up, showcase interior LED lighting provides amazing illumination throughout.
- Intuitive True Precision® Control and readout provides digital accuracy and easy operation.

ORGANIZATION

- 3 adjustable/removable stainless steel encapsulated glass shelves.
- 1 fixed stainless steel encapsulated glass shelf.
- 3 full-extension, soft-close drawer bins with polycarbonate fronts and integrated handles.
- 3 adjustable/removable stainless steel door bins (solid door only).


BUILD YOUR TRUE

Customize your True with a variety of finish and hardware options at true-residential.com/custom.



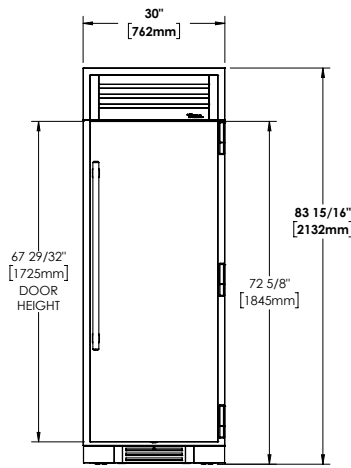
TR-30REF-R-SS-C

SPECIFICATIONS

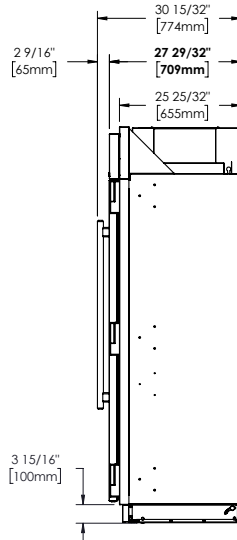
Dimensions (w x h x d)	30" x 84" x 24"
Cutout Dimensions (w x h x d)	
Flush Opening	30¾" x 84¼" x 26"
Standard Opening	29¾" x 84" x 24"
Capacity (cu. ft.)	19.7
Temperature Range	33°F – 42°F
Weight (lbs.)	545
Voltage	115/60/1  115/60/1 NEMA-5-15R
Amps	2
Annual Energy Consumption (kwh)	307
Power Cord Length (ft.)	9
Energy Star Rated	Yes

30" REFRIGERATOR COLUMN WITH SOLID STAINLESS STEEL DOOR

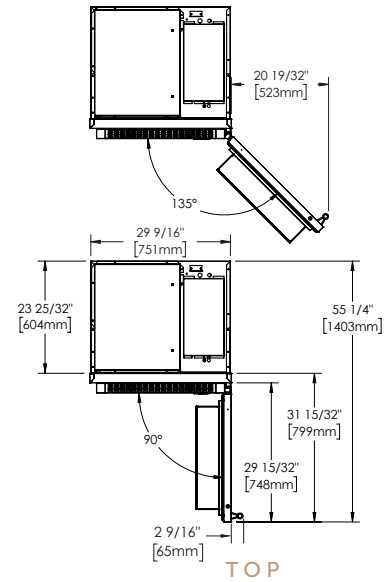
TR-30REF-R/L-SS-C



FRONT



SIDE



TOP

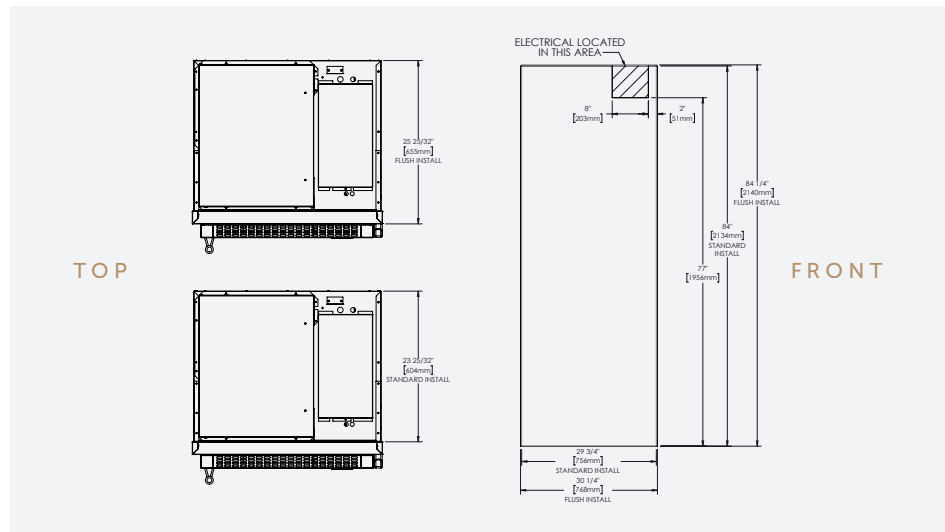
OPENING DIMENSIONS

FLUSH OPENING

WIDTH	HEIGHT	DEPTH
30 3/4"	84 1/4"	26"

STANDARD OPENING

WIDTH	HEIGHT	DEPTH
29 3/4"	84"	24"



TOP

FRONT

MODEL OPTIONS

MODEL	FINISH
TR-30REF-R-SS-C	Stainless solid door right-hinged
TR-30REF-L-SS-C	Stainless solid door left-hinged

ACCESSORIES (OPTIONAL)

- Joining kit
- Side panel(s)
- Full size anti-condensation pad

WARRANTY

- 3 year full (parts & labor)
- 6 year sealed system (parts & labor)
- 7–12 year (parts only – sealed system on registered products)