



GE APPLIANCES QUICK INSTALLATION GUIDE

**DO NOT DISCARD.
KEEP FOR FUTURE USE.**

⚠ WARNING For your safety

- To reduce the risk of fire, electric shock, or injury to persons, read the **IMPORTANT SAFETY INFORMATION** before operating this appliance.
- Do not install or store appliance in an area where it will be exposed to dripping water or outside weather conditions. See Location of Your Washer section.
- NOTE:** This appliance must be properly grounded and installed as described in this manual. Electrical service to the washer must conform with local codes and ordinances and the latest edition of the national Electrical Code, ANSI/NFPA 70.

1 Unpack your washer

PARTS SUPPLIED

- Cable tie
- Hose guide
- 4 Shipping bolt covers
- Lock Bar (For Reversing the Door Swing)

TOOLS NEEDED

- Adjustable wrench
- Channel-lock pliers
- Phillips Screwdriver
- Level

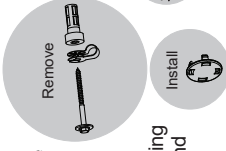
PARTS REQUIRED (Sold separately or included with the GFW510 model)

- Water Hoses with 90° elbows (2)
- Rubber washers (2) and strainer screens (2)

2 Remove shipping hardware

Once the washer is within 4 feet of its destination, use a 1/2" wrench or socket to remove the following from the back side:

- 4 shipping bolts
- 4 plastic spacers (including power cord retainers and rubber grommets)
- 1 bracket

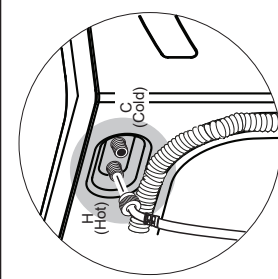


Video
Scan this code to watch a video on Step 2.

Insert the hole caps in the bolt holes once the shipping bolts and spacers have been removed. Save all shipping support hardware for future use. Recycle or destroy the carton after the washer is unpacked.

3 Connect hoses to washer

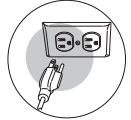
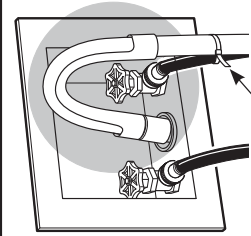
- Run water from both faucets to flush the lines and remove particles that might clog the water valve screens.
- Ensure that a rubber washer is in the end of the hot and cold hoses.
- Connect the inlet hoses to the hot "H" outlet and cold "C" outlet.
- Hand-tighten and then tighten them another 2/3 turn with pliers.
- Do not cross-thread or over-tighten these connections.



GE Appliances recommends inlet hoses that have a 90° bend at one end. The 90° bend should be installed at the washer as shown above.

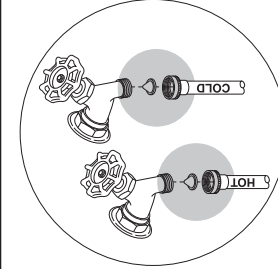
6 Install drain hose and plug

- Attach U-shaped hose guide to end of drain hose.
- Place hose in laundry tub or standpipe and secure with cable tie.
- If placed in standpipe, the end of the drain hose should extend only 4 to 7 inches down the pipe.
- If you desire to reverse the door, perform step 7 now.
- Plug washer into a grounded outlet. Do not use an extension cord or adaptor plug.



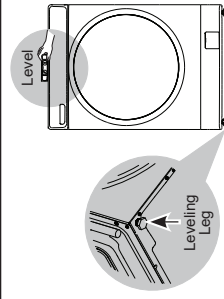
4 Connect hoses to water supply

- Ensure that a screen washer is inserted into the faucet end of both hoses with protruded side facing the faucet. If a rubber washer is already inserted, remove before inserting screen washer.
- Connect the inlet hose from the "H" outlet to the hot faucet and the inlet hose from the "C" outlet to the cold faucet.
- Hand-tighten and then tighten them another 2/3 turn with pliers.
- Turn on the water and check for leaks.



5 Level your washer

- Gently rock the washer into final location, ensuring inlet hoses do not become kinked.
- Do not use door or dispenser drawer to lift the washer.
- Place level on top.
- Adjust the front leveling legs up or down to ensure the washer is resting solidly.
- Turn the lock nuts on each leg up toward the base of the washer and snug with a wrench.
- Level washer both side-to-side and front-to-back.



Video
Scan this code to watch a video on Step 5.

8 Final installation checklist

- Main power is turned on. The washer is plugged in.
- Faucets are turned on. Water hoses are connected securely with no leaks at both ends.
- Unit is level and all legs are on the floor.
- Shipping bolts and spacers are removed and stored for future use.
- Drain hose is placed in tub or standpipe and secured with a cable tie.
- Run a load of clothes using the **Quick Wash** cycle. Check for leaks.
- When the load is spinning at high speed, ensure that the washer and leveling legs are stable.

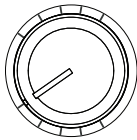
0020508637A
49-3000364 Rev 1 05-23 GE

QUICK REFERENCE GUIDE

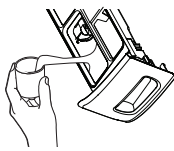
Getting started



Step 1
Load clothes into your washer and close the door.



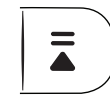
Step 2
Turn the knob to wake up the display and select your desired cycle.



Step 3
Open the dispenser to add detergent, or on models with SmartDispense™ select the SmartDispense setting as desired.



OR



Step 4
Press Start to begin the wash cycle. When finished, the door will unlock.



Step 5
For washers equipped with the UltraFresh Vent™, select this option to eliminate excess moisture when you're done with laundry for awhile. Otherwise, leave your washer door slightly ajar.

Try these washer features (not available on all models)



UltraFresh Vent™
Works to eliminate excess moisture to help prevent odors so your washer stays fresh and clean.



OdorBlock™
Microbar® technology delivers antimicrobial durable protection that lives on load after load.



SmartDispense™
The dispenser holds up to 32 loads and automatically dispenses the right amount every time.



1 Step Wash + Dry
Wash and dry a small load to eliminate the need to transfer clothes to the dryer.



Time Saver
Delivers a thorough clean for any size and type of load in only 35 minutes.



WiFi
Monitor and control your laundry from anywhere and receive real-time updates and notifications.



dBt™
Onboard sensing enables real-time balancing during spin to save time and reduce noise.

Troubleshooting Tips...Before you call for service

Before you call for service, see the Troubleshooting Tips section in your OWNER'S MANUAL & INSTALLATION INSTRUCTIONS.

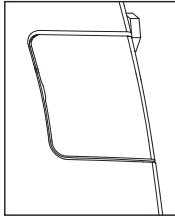
Service

If needed, schedule a visit from GE Appliances local factory service for advanced service by visiting localgeappliancesrepair.com or calling 866.530.7025.

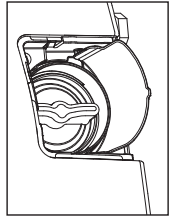
GE is a trademark of the General Electric Company. Manufactured under trademark license.

Care & Cleaning

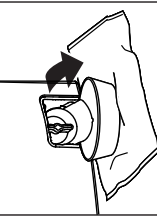
Cleaning the pump filter



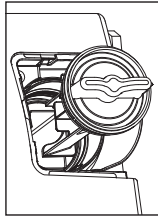
Step 1: Open the access door using a coin or flat screwdriver in the notch of the door and pull down the pour spout.



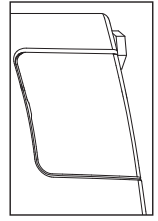
Step 2: Place a shallow pan or dish under the pump access door and towels on the floor for protection. It is normal for up to a cup of water to drain from the filter.



Step 3: Turn pump filter counterclockwise and remove the filter slowly to let the water drain.



Step 4: Clean the debris from the filter.



Step 5: Replace the filter by pushing in firmly and turning clockwise until tightened securely. Flip up the pour spout and close the access door.

NOTE: Clean pump filter every 6 months or sooner if unit is not draining properly.



Video

Scan this code to watch a video on this topic.

Cleaning the interior of the washer

To clean the interior of the washer, use the **SELF CLEAN** cycle using the following procedure:



Step 1: Remove any garments or objects from the washer to ensure the basket is empty.

Step 2: Open the door and add one cup (250 ml) of bleach directly into the washer basket.

Step 3: Close the door and select the **SELF CLEAN** cycle. Press the **Start** pad.

Step 4: When the **SELF CLEAN** cycle is working, the display will show the estimated cycle time remaining. The cycle will complete in about 90 minutes. Do not interrupt the cycle.

Step 5: After the cycle is complete (on some models), the washer will automatically start an **UltraFresh Vent** operation so that the door can remain closed until the next time the washer is used. **SELF CLEAN may be interrupted by pressing Start/Pause.** When interrupted, be sure to run a complete **SELF CLEAN** cycle before using the washer again. For more information, please refer to your **OWNER'S MANUAL.**

IMPORTANT

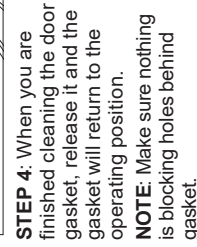
- Run **SELF CLEAN** with tub cleaner once a month.
- After the completion of a **SELF CLEAN** cycle, the interior of your washer may have a bleach smell.
- It is recommended to run a **RINSE & SPIN** or a light color load after the **SELF CLEAN** cycle.

Cleaning the door gasket

STEP 1: Open the washer door.

STEP 2: Press down on the door gasket and pull down on the interior gasket with your fingers.

STEP 3: Remove any foreign objects trapped inside the interior gasket.



STEP 4: When you are finished cleaning the door gasket, release it and the gasket will return to the operating position.
NOTE: Make sure nothing is blocking holes behind gasket.

Routine maintenance

Genuine GE Appliances Parts and Accessories make appliance maintenance easy by providing cleaning products, replacement parts and accessories that are designed to keep your appliance at peak performance. To order direct visit GEApplianceparts.com or call 877.959.8688.



Owner's Guide & Installation Instructions

This manual contains the Installation Instructions. Follow these instructions completely.

LEARN MORE - This appliance comes with this condensed Owner's Guide. The complete Owner's Manual for your model can be found online by scanning the code or visiting:
<https://www.geappliances.com/ge/service-and-support/literature.htm>
<https://www.electromenagersge.ca/buanderie/laveuses>



IMPORTANT SAFETY INFORMATION

READ ALL INSTRUCTIONS BEFORE USING THE APPLIANCE

⚠ WARNING To reduce the risk of death, fire, explosion, electric shock, or injury to persons when using your appliance, follow basic precautions, including the following:

- Read all instructions before using the appliance.
- Follow all fabric care instructions and warnings to prevent melting of garments or damage to the appliance.
- **DO NOT** wash or dry articles that have been previously cleaned in, washed in, soaked in or spotted with gasoline, dry-cleaning solvents, or other flammable or explosive substances, as they give off vapors that could ignite or explode.
- **DO NOT** add gasoline, dry-cleaning solvents, or other flammable or explosive substances to the wash water. These substances give off vapors that could ignite or explode.
- Under certain conditions, hydrogen gas may be produced in a hot-water system that has not been used for 2 weeks or more. **HYDROGEN GAS IS EXPLOSIVE**. If the hot water system has not been used for such a period, before using a washing machine, turn on all hot-water faucets and let the water flow from each for several minutes. This will release any accumulated hydrogen gas. As the gas is flammable, **DO NOT** smoke or use an open flame during this time.
- **DO NOT** allow children to play on or in this appliance. Close supervision of children is necessary when this appliance is used near children. Before the washer is removed from service or discarded, remove the door or lid. Failure to follow these instructions may result in death or injury to persons.
- **DO NOT** reach into the appliance if the tub or agitator is moving to prevent accidental entanglement.
- **DO NOT** install or store this appliance where it will be exposed to the weather.
- **DO NOT** tamper with controls, repair or replace any part of this appliance or attempt any servicing unless specifically recommended in the user maintenance instructions or in published user repair instructions that you understand and have the skills to carry out.
- **DO NOT** climb or stand on this unit.
- **DO NOT** operate this appliance if it is damaged, malfunctioning, partially disassembled, or has missing or broken parts including a damaged cord or plug.
- Unplug the appliance or turn off the circuit breaker before servicing. Pressing the **Power** pad **DOES NOT** disconnect power.
- See "ELECTRICAL REQUIREMENTS" located in the Installation Instructions for grounding instructions.
- **DO NOT** use replacement parts that have not been recommended by the manufacturer. (e.g. parts made at home using a 3D printer).

Proper Disposal of your Appliance

- Dispose of or recycle your appliance in accordance with Federal and Local Regulations. Contact your local authorities for the environmentally safe disposal or recycling of your appliance.

READ AND SAVE THESE INSTRUCTIONS

IMPORTANT SAFETY INFORMATION

READ ALL INSTRUCTIONS BEFORE USING THE APPLIANCE

PROPER INSTALLATION

This washer must be properly installed and located in accordance with the Installation Instructions before it is used.

- Ensure that the hot water hose is connected to the “H” valve and the cold water hose is connected to the “C” valve.
- Install or store where it will not be exposed to temperatures below freezing or exposed to the weather, which could cause permanent damage and invalidate the warranty.
- Properly ground washer to conform with all governing codes and ordinances. Follow details in the Installation Instructions.
- Ensure washer is properly leveled and washer legs are adjusted such that unit is stable.
- Optional drain hose extension recommended for discharging heights from 60” - 96”.
- GE Appliances strongly recommends the use of factory specified parts. A list of factory hoses available for purchase are listed. These hoses are manufactured and tested to meet GE Appliances specifications.
- GE Appliances strongly recommends the use of new water supply hoses. Hoses degrade over time and need to be replaced every 5 years to reduce the risk of hose failures and water damage.
- Consider recycling options for your appliance packaging material.

AUTOMATIC DRAIN SEQUENCE

- Machine will automatically drain any time the door is left open for more than 15 minutes and water is present.
- Machine will automatically drain if left in a paused state with the door closed for more than 24 hours and water is present.

WHEN NOT IN USE

- Turn off water faucets to minimize leakage if a break or rupture should occur. Check the condition of the fill hoses; GE Appliances recommends changing the hoses every 5 years.

PARTS AND ACCESSORIES

Order on-line at GEApplianceparts.com today, 24 hours a day or by phone at 877.959.8688 during normal business hours. In Canada, visit your local GE Appliances parts distributor or call 800.661.1616 or GEAppliances.ca/en/products/parts-filters-accessories.

Part Number	Accessory
WX14X10011	6 ft stainless steel washer hoses with 90° elbows; 2-pack
WH49X316	Washer drain hose extension kit - Approximately 44”
WX10X10011	Tide® Washing Machine Cleaner*
PM7X2	Universal low profile washer floor tray
GFA28KITN	Stack Bracket Kit (to stack dryer on top)
GFP1528S	28” width Pedestal with drawer – White
GFP1528P	28” width Pedestal with drawer – Colors
GFR0728S	28” width Riser without drawer – White
GFR0728P	28” width Riser without drawer – Colors

*Tide® is a registered trademark of Procter & Gamble

READ AND SAVE THESE INSTRUCTIONS

Using the washer

⚠ WARNING To reduce the risk of fire, electric shock, or injury to persons, read the IMPORTANT SAFETY INFORMATION before operating this appliance.

Throughout this manual, features and appearance may vary from your model.

Quick Start:

Step 1

Load clothes into your washer and close the door.



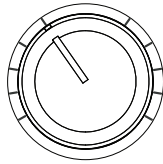
Step 2

If the screen is dark, press the Power pad or turn the knob to “wake up” the display.



Step 3

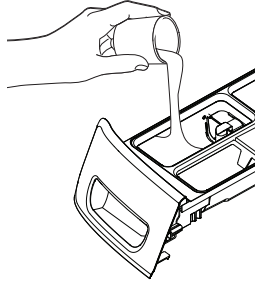
Turn the knob to select the desired cycle.



(cycle options vary by model)

Step 4

Open the dispenser and add detergent, bleach and fabric softener, as desired. Models with SmartDispense™ only require that you select the SmartDispense pad once the tank has been filled.



Step 5

Press Start to begin the wash cycle. The machine will weigh your clothes and add the proper amount of water. When the wash cycle is finished, the door will unlock.



Step 6 (on some models)

After the wash cycle is completed and the clothes unloaded, select **ULTRAFRESH VENT™** to help eliminate the excess moisture in your washer so you can close the door.



Display and Status Lights

(Features and appearance will vary)



On some models, the display shows the approximate time remaining until the end of the cycle and the washer cycle status (**Prewash, Fill, Wash, Rinse** and **Spin**).

NOTE: The cycle time is affected by how long it takes the washer to fill. This depends on the water pressure in your home. The “smart” timer “learns” the amount of time it takes to fill your washer and adjusts the total time accordingly.

On some models, if an out-of-balance condition is detected by the washer, the **Spin** status light or **Spin** option selection light will blink during the remaining portion of the cycle and will stay illuminated for a short time after cycle completion. When this occurs, the washer is taking actions to correct the out-of-balance condition and complete the cycle normally. In some cases, the washer may not be able to balance the load and spin up to full speed. If you notice the load is more wet than usual at the end of the cycle, redistribute the load evenly in the wash tub and run a **Rinse & Spin** cycle.

In addition, the display will show:

(WiFi) (on some models)	Will allow your appliance to communicate with your smartphone for remote appliance monitoring, control and notifications. It stays lit whenever the washer is on and is connected. It will blink during the commissioning process or if it loses connection to the network.
Venting (on some models)	Venting will blink to indicate that you can select the ULTRAFRESH VENT feature at the end of the cycle. It then stays illuminated once selected until venting is complete.
Control	The controls on the washer are locked when this icon is illuminated. You must press and hold the Control Lock pad to unlock the controls.
Door	This icon will illuminate while the door is locked and will blink while the washer is in the process of pausing and then unlocking.
Smart	This icon will illuminate when the Smart AI features of your washer are active.
Auto, More, Less (on some models)	The SmartDispense will automatically dose detergent according to the weight and soil level of the clothes. You can adjust this feature to dose MORE or LESS detergent or turn it OFF to manually dose detergent.
Tank Low (on some models)	At start up the unit displays when the SmartDispense tank needs to be re-filled. Typically, this first lights up when there are approximately 8 - 10 loads of detergent remaining.
Loads Left (on some models)	Displays the estimated number of wash loads left for the amount of detergent in the SmartDispense tank.
Delay (on some models)	When you select a delay start to your wash, this will be indicated by either a light next to the pad or with the word “Delay” in the center of the options window. The display will also countdown the hours until the cycle begins.

Using the washer

- A Power**
Press to “wake up” the display. If the display is active, press to put the washer into standby “OFF” mode.
NOTE: Pressing **Power** does not disconnect the appliance from the power supply.
- B Start and Pause**
Press to start a wash cycle. If the washer is running, pressing it once will pause the washer and unlock the door. It will take a few seconds for the door to unlock after pressing **Pause**. Press again to restart the wash cycle.
NOTE: If washer is paused and cycle is not restarted within 15 minutes, the current wash cycle will be cancelled.
NOTE: The washer performs automatic system checks after pressing the **Start** pad. Water will flow in 45 seconds or less. You may hear the door lock and unlock and the pump activate before water flows.
- C Wash Cycles**
The cycles are optimized for specific types of loads. The chart below will help you match the items to be laundered with the best cycle settings. For optimal performance, select the cycle that most closely matches the items in your load. **Delay Start/Remote Start** is available on all cycles.

Cycle	Recommended Items
Normal	Cycle for normal, regular, or typical use for washing up to a full load of normally soiled cotton clothing.
Delicates	Lingerie and special care fabrics with light soil.
Towels	Towels, sheets, pillowcases and dish rags.
Bulky Bedding	Comforters, large coats, bed spreads, mattress covers, sleeping bags, and similar large bulky items.
Sanitize+ Allergen*	Heavily soiled colorfast items with the need for sanitization.
Sanitize With Oxi*	Heavily soiled colorfast items with the need for sanitization.
Active Wear	Medium to lightly soiled athletic wear items of technical or synthetic fabrics.
Quick Cycle	Small loads of lightly soiled items that are needed in a hurry.
Whites	Whites and household linens.
Rinse and Spin	For items that need only to be rinsed and not washed. Rinse & Spin , or Drain & Spin (Extra Rinse) deselected). A spin is always performed unless you select No Spin .
Cold Wash	Cycle for normal, regular, or typical use for washing up to a full load of normally soiled cotton clothing using only cold water while delivering equivalent performance to Normal Warm wash.
Downloaded	Use the SmartHQ App to download a specialty cycle for your washer.
Power Clean	For heavily soiled items which require extra cleaning power.
Heavy Duty*	For washing heavily soiled, sturdy colorfast items using extended wash motions and rinses to deliver extra cleaning.
Jeans	Jeans with medium to light soil.
Swim Wear	Swim wear with medium to light soil.
Self Clean	Cleaning the basket of residue and odor. No clothes are to be washed using this cycle.

*Some cycles and options may not be available on some models.

NOTES:

The **SANITIZE + Allergen** cycle’s water temperatures CANNOT be changed. This cycle utilizes elevated water temperature and a longer wash cycle to kill dust mites and reduce 99% of common bacteria from fabrics. A pump purge and extended rinse is incorporated for the purpose of removing contaminants and allergens, such as pet dander. The **SANITIZE With Oxi** cycle’s water temperatures CANNOT be changed. This cycle, when using an Oxi additive along with your detergent, is designed to remove 99% of bacteria found in home laundry. Measure the detergent and the Oxi products carefully. Using the amounts appropriate for a large heavily soiled load in a front load washer, follow the detergent and the Oxi product label instructions. The washer hot water supply connection must provide a minimum of 120°F to ensure the effectiveness of this cycle.

Only the **SANITIZE + Allergen** and **SANITIZE With Oxi** cycles have been designed to meet the requirements of sanitizing effectiveness.

Using the washer

Wash Cycles - Continued

The cycles are optimized for specific types of loads. The chart below will help you match the items to be laundered with the best cycle settings. For optimal performance, select the cycle that most closely matches the items in your load. **Delay Start/Remote Start** is available on all cycles.

		Wash Cycles															
		Normal	Delicates	Towels	Bulky Items	Active Wear	Quick Cycle	Whites	Rinse and Spin	Cold Wash	Heavy Duty*	Jeans*	Swim Wear*	Sanitize with Oxi*	Sanitize+ Allergen*	Power Clean	Self Clean
Wash Settings	Soil Level																
	Extra Heavy	•		•	•	•		•		•	•	•	•	•	•	•	•
	Heavy	•		•	•	•		•		•	•	•	•	•	•	•	•
	Normal	•	•	•	•	•	•	•		•	•	•	•				•
	Light	•	•	•	•	•	•	•		•	•	•	•				
	Extra Light	•	•	•	•	•	•	•		•		•	•				
	Wash Temperature																
	Extra Hot	•						•						•	•	•	•
	Hot	•	•	•	•			•			•		•				•
	Warm	•	•	•	•	•	•	•			•	•	•				•
	Cold	•	•	•	•	•	•	•		•	•	•	•				•
	Tap Cold	•	•	•	•	•	•	•		•	•	•	•				•
	Spin Selection																
	Max	•		•	•			•	•	•	•	•		•	•	•	•
	High	•		•	•			•	•	•	•	•		•	•	•	•
	Medium	•	•	•	•	•	•	•	•	•	•	•	•	•	•	•	•
	Low		•	•	•	•	•	•	•	•		•	•	•	•	•	•
	No Spin		•			•			•				•				
	Wash Options																
	Power Steam*	•		•	•			•				•	•			•	•
	Prewash* or Auto Soak*	•	•	•	•	•	•	•		•	•	•	•	•	•	•	•
	Time Saver	•	•	•	•	•	•	•									
	More Water	o	•	•	•		•	•	•	•	•	•	•				
	Extra Rinse	•	•	•	•	•	•	•	•	•	•	•	•	•	•	•	•
	Tumble Care*	•	•	•	•	•	•	•	•	•	•			•	•	•	•
	1 Step Wash + Dry	•	•	•	•	•	•	•	•	•					•	•	•

This cycle is for periodic cleaning of the washer only. See the **Self Clean** section for more information.

- Available setting
- o Factory default setting
- * Available from Downloaded cycles.
- o Available on **WASH + DRY**, but not **WASH** only.

Using the washer

D Settings

Individual settings for soil level (**Level**), water temperature (**Temp**) and spin speed (**Spin**) can be set from the minimum to maximum. In general, the higher up the column, the more energy will be used.

Soil

Changing the **Soil** level increases or decreases the wash time to remove different amounts of soil.

To change the **Soil** level, press the **Soil** level pad until you have reached the desired setting. You can choose between Extra Light, Light, Normal, Heavy or Extra Heavy soil levels on most cycles.

Temp

Adjust to select the proper water temperature for the wash cycle. The **AutoSoak** and **PreWash** rinse water is always cold to help reduce energy usage and reduce setting of stains and wrinkles.

Follow the fabric manufacturer's care label when selecting the wash temperature.

To change the wash temperature, press the **Temp** pad until you have reached the desired setting. You can choose between Tap Cold, Cold, Warm, Hot or Extra Hot on most cycles. By design, to protect fabrics, not all wash temperatures are available for certain wash cycles. Extra Hot temperatures are enabled by the internal heater on models equipped with Steam capabilities.

NOTE: The first 10 seconds of the wash fill is always cold. This feature assists in conditioning the fabric and preventing stains from setting on garments.

Spin

Adjusting the **Spin** speed changes the final spin speed of the cycles. Always follow the garment manufacturer's care label when changing the **Spin** speed.

To change the **Spin** speed, press the **Spin** speed pad until you have reached the desired setting. You can choose between No Spin, Low, Medium, High or Max. Higher spin speeds are not available on certain cycles, such as **DELICATES** and **ACTIVE WEAR**.

Higher spin speeds remove more water from the clothes and will help reduce dry time, but may also increase the possibility of setting wrinkles on some fabrics.

NOTE: This washer features a **dBt™ (Dynamic Balancing Technology)** system. This patented onboard sensing technology enables real-time balancing of the spin cycle for each load, saving time and providing a quiet wash. This should lead to more consistent wash times and an overall reduction in noise and vibration. If the washer should experience any excessive noise, vibration or shaking, simply **Pause** the washer, open the door, and manually redistribute the load before restarting the cycle.

E Options

SMARTDISPENSE™ (on some models)

When selected, this feature will automatically add detergent to the wash, eliminating the need to add detergent for each load. See the **SmartDispense** section for details.

My Settings (on some models)

To save your favorite settings for a given cycle, set the desired options for Soil, Spin and Temp levels, extra rinse and other settings. Hold down the **My Settings** pad for 3 seconds. A beep will sound to indicate the selections for this cycle have been saved. You can choose to create **My Settings** for other cycles.

POWER STEAM (on some models)

Power Steam adds steam into the washer before the wash cycle begins to assist with loosening stains on the **NORMAL, WHITES, TOWELS, BULKY Bedding, SANITIZE+Allergen** and **POWER CLEAN** cycles.

To use:

1. Press the **Power** pad to "wake up" the washer and select a wash cycle.
2. Press the **POWER STEAM** pad to activate steam.
3. Press the **Start/Pause** pad.

WiFi (may be a shared pad with other options)

Press and hold the **WiFi*** pad for 3 seconds to activate. See the **WiFi Connect** section for details on how to get started with WiFi connection.

Using the washer

E Options

Delay Wash/Remote Start

You can delay the start of a wash cycle for up to 24 hours or remote start the washer by using the **Delay Wash/Remote Start** feature. Press to step by hours or hold to scroll the **Delay Wash** pad to set the amount of time you want to delay the start of the wash cycle. If you have connected your washer to WiFi, the first selection, "AP", can be selected to enable remote starting of your washer from the GE Appliance Smartphone app. Or, if you select a delay time in hours, the machine will count down and start automatically following this period. Press the **Start** pad once you have configured the **Delay Wash** to the proper setting to enable this feature. To cancel this option, simply power off and power on the controls.

NOTE: If you forget to fully close the door, a reminder signal will beep reminding you to do so.

NOTE: If you open the door when the delay is counting down, the machine will enter the pause state. You must close the door and press **Start** again in order to restart the countdown.

Time Saver (on some models)

This option reduces the overall washer cycle time by optimizing the wash, rinse and spin actions and/or gently raising the wash temperature to get clothes cleaned faster. Option is available on **NORMAL, WHITES, TOWELS, DELICATES, BULKY Bedding** and **ACTIVE WEAR** cycles. Total wash time will vary based on cycle chosen and options selected.

To use:

1. Turn power on and select a wash cycle which has **Time Saver** as an option.
2. Press the **Time Saver** pad to reduce the overall wash time.
3. Press the **Start/Pause** pad.

More Water (on some models)

This option adds approximately 3 gallons to the wash and rinse portions of the cycle. If the option is selected before the cycle starts, the water will be added from the beginning of the wash cycle and later to the rinse. If the option is selected during the wash portion, more water will be added at this point and later to the rinse. Likewise, if the **More Water** option is selected after the wash portion has completed, the washer will add more water to the rinse only. If wash and rinse have completed, the **More Water** pad will no longer be active.

ULTRAFRESH VENT System with ODORBLOCK™ (on GE Appliances and Profile models only)

The ULTRAFRESH VENT System with OdorBlock was designed to eliminate excess moisture in the washer following a wash cycle to help prevent odors from developing. This washer was designed to drain water at the end of the cycle more effectively. Following the wash cycle, the user can then choose to leave the door open or select the ULTRAFRESH VENT feature to assist with drying out the gasket and other areas of the washer. The OdorBlock system features multiple components which are manufactured with Microban® antimicrobial technology.* Microban is a safe and effective antimicrobial technology that will last the life of your washer. For more information, please visit www.microban.com/geappliances.

ULTRAFRESH VENT is available after the wash cycle is complete and you have removed your cleaned laundry. Once the door is closed, a notification tune will play and the **ULTRAFRESH VENT** pad LED will blink. Upon pressing the pad, ULTRAFRESH VENT will begin.

To select ULTRAFRESH VENT at any other point, power on the washer, ensure a cycle is not actively running, and remove any garments from the basket, then press and release the **ULTRAFRESH VENT** pad so that the notification tune plays and the **ULTRAFRESH VENT** pad LED begins to blink. Then press the **ULTRAFRESH VENT** pad again to start the feature.



During the operation of ULTRAFRESH VENT the door will remain locked and the washer will intermittently spin at low speeds for up to 8 hours. Profile models utilize a sensor to determine end time.

If garments are detected in the basket during ULTRAFRESH VENT, the washer will instead run **TUMBLE CARE** or **1 STEP WASH + DRY**, based on option availability for your model.

The ULTRAFRESH VENT feature may be cancelled at any time by pressing the **POWER** pad, turning the cycle knob, or pressing the **ULTRAFRESH VENT** pad.

SmarterHQ App Enabled

There are several options that support your WiFi connected washer available through the SmarterHQ App. Not only does this App enable you to receive over the air upgrades and updates to your washers software, but it unlocks special features for your washer. Among those features are **Adaptive SmartDispense, Adaptive My Settings** and **Stain Removal Guide**.



*Microban® is a registered trademark of Microban International, Ltd.

Using the washer

E Options

1 STEP WASH + DRY (on some models)

This option is available on all cycles except **Self Clean**.

The **1 STEP WASH + DRY** is intended for small loads only. Use when clothes need to be washed, dried and ready to wear or finished the next morning. This feature will tumble clothes and introduce a constant stream of air into the washer compartment upon completion of select wash cycles. Although the drying portion is set to 8 hours, the clothes can be removed at any time by pressing **Pause** or **Power** to cancel the cycle.

Tumble Care (on some models)

Freshly tumbles your garments periodically for up to 8 hours after the wash cycle is complete to lessen the setting of wrinkles and creases when you are not able to move clothing to the dryer right away.

At the end of the cycle, the display will scroll "END" and after ten minutes the **Tumble Care** will begin. It can be stopped at any time by pressing the **Power** pad.

PreWash (on some models)

Prewash is an extra wash before the main wash. Use it for heavily soiled clothes or for clothes with a care label that recommends prewashing before washing. Be sure to add liquid or powder high-efficiency detergent, or the proper wash additive to the prewash dispenser. Washers equipped with **SmartDispense** will automatically add the proper amount of detergent for prewash based on the load size.

PreWash must be selected prior to pressing **Start**.

The **PreWash** feature will fill the washer (adding the prewash detergent), tumble the clothes, drain and spin. Then the washer will run the selected wash cycle.

NOTE: In some special cycles, the prewash is selected automatically as the default. You can turn off this selection at any time. The main wash will use new detergent from the manual detergent compartment and from the SmartDispense tank (on some models).

AutoSoak (on some models)

For soaking your garments prior to the wash cycle. This option begins with a brief tumble and then proceeds to soak the clothes with water and detergent for a specified period of time. Once complete, the cycle will continue automatically. **AutoSoak** must be selected prior to pressing the start pad. The **AutoSoak** time will add an additional 15 minutes, 30 minutes, 1 hour or 2 hours to the overall wash time. High-efficiency detergent from the main wash compartment in the dispenser is used for the **AutoSoak** period and main wash cycle.

Extra Rinse

This option allows for an extra rinse during a cycle to remove excess dirt and detergent from soiled loads. Press the **Extra Rinse** pad to select.

NOTE: On **RINSE & SPIN** cycle, a **drain and spin** cycle can be achieved by pressing the **Extra Rinse** pad until the LED is no longer illuminated.

Light (on some models)

The basket light will turn on and remain on for 5 minutes when the door opens, **Start/Pause** pad is pressed, or by pressing the **Light** pad. The basket light can be turned off by pressing the **Light** pad.

Add Garment (on some models)

If you need to add garments after the cycle has started, press the **Add Garment** pad and the unit will unlock the door, allowing additional garments. The **Add Garment** feature is only available when the LED is lit on the pad. After a certain point in the cycle, the LED will not be lit any longer and adding a garment is not allowed.

Sound

To change the loudness of the end of cycle signal and the press pad volume, press the **Sound** pad as many times as needed to reach the desired volume. On some models there are four sound levels including off, other models have Off/On with press and hold function.

Control Lock (Light-Control Lock pad) (depending on model)

You can lock the controls to prevent any selections from being made. Or you can lock or unlock the controls after you have started a cycle.

Children cannot accidentally start the washer by touching pads with this option selected.

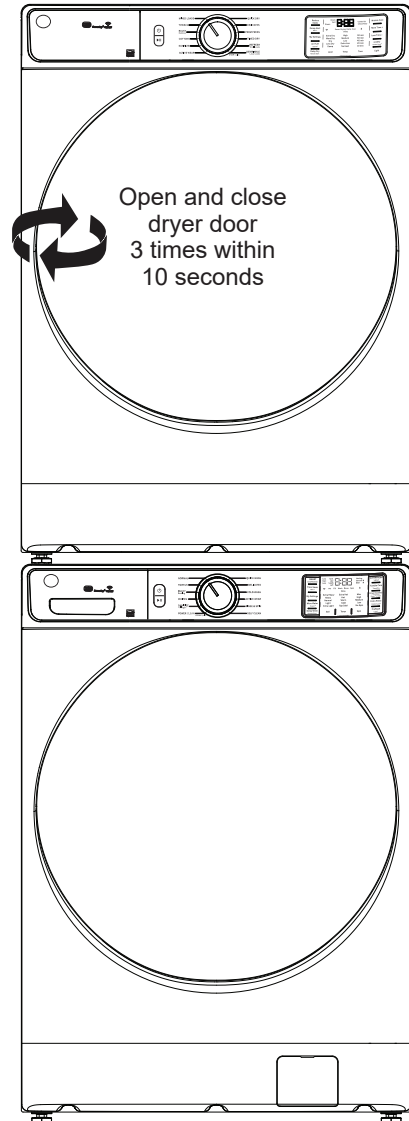
To lock/unlock the washer, press and hold the **Control Lock/Light-Control Lock** pad for 3 seconds. A sound is made to indicate the lock/unlock status. The control lock icon on the display will light up when it is on.

NOTE: The **Power** pad can still be used when the machine is locked.

Using the washer

Dryer Control – Bluetooth® Pairing (on some models)

1. Power on both the **washer** and the **dryer** but do not start any cycles.
2. Press and hold the **Tumble Care** button on the **washer** for 5 seconds until the Bluetooth® LED (📶) starts to flash and you hear an audible tone.
3. Open and close the **dryer** door 3 times within 10 seconds to make it discoverable to the washer.
4. The washer will attempt to discover the dryer, the Bluetooth® icon will flash and both displays will blink “ - - - ”.
5. The Bluetooth® icon on the washer should illuminate solid signifying that the machines are now paired. The display on the washer will display “bt” for 3 seconds.
6. If the Bluetooth® units fail to pair, repeat above steps 1-5.
7. To unpair the machines, press and hold the **Tumble Care** button for 10 seconds or open and close the **dryer** door 3 times within 10 seconds.

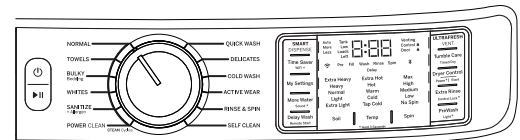


How to use the Dryer Control Feature (on some models)

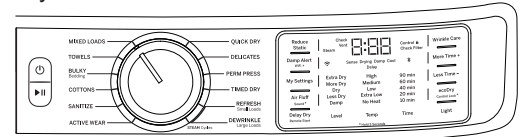
1. Power on the **washer**.
2. Press and hold the **Dryer Control** button on the **washer** for 3 seconds to power on the **dryer**.
3. The **dryer's** cycle selection will flash to display the recommended sensor cycle that pairs to the last completed washer cycle as the **washer** display reads “drY”.
4. To use this cycle, press the **Dryer Control** button to start the **dryer**. The **dryer** can be paused by opening its door or pressing the **Dryer Control** button. To restart the **dryer** with its door closed, press the **Dryer Control** button again.
5. To select **Timed Dry** instead of the sensor dry cycle, press the **Timed Dry** button on the **washer** while the display says “drY”. Repeated presses of this button will step through preset **Timed Dry** times (default is 40 minutes).
6. Once you've selected the **Timed Dry** cycle's duration, press the **Dryer Control** button within 10 seconds to start the dryer.



Washer



Dryer



NOTE: Your **dryer's** control panel is fully functional even when you are using **Dryer Control** through the **washer**.

Powering off the **washer** will not power off the **dryer** when a dry cycle is in progress.

Using the washer

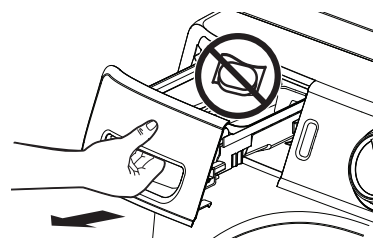
Dispenser Drawer

Slowly open the dispenser drawer by pulling it out until it stops. After adding laundry products, slowly close the dispenser drawer. Closing the drawer too quickly could result in early dispensing of the bleach, fabric softener or detergent.

You may see water in the detergent, bleach and fabric softener compartments at the end of the cycle. This is a result of the flushing/siphoning action and is part of the normal operation of the washer.

Do **NOT** put detergent packets in the dispenser drawer.

NOTE: Use only liquid or powder HE detergents and additives in the dispenser drawer. Laundry detergent packets should only be added directly to the wash basket following the manufacturer's directions.



Use only HE High-Efficiency detergent



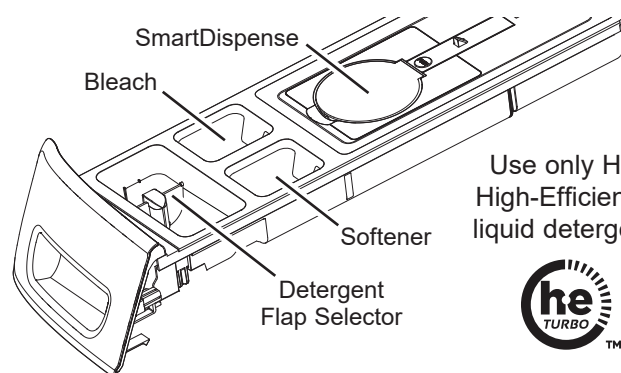
SmartDispense™ (on some models)

When selected, this feature will automatically add detergent to the wash, eliminating the need to add detergent for each load.

The detergent amount selection on the control panel will default to **AUTO** when first powering up the washing machine. When **AUTO** is selected, the amount of detergent needed for each laundry load will automatically be determined based on the size of the load the machine senses.

For **AUTO**, the washer will dispense approximately 1.5 oz of detergent for an 8 lb normal load. For other loads, it will adjust proportionally based on the size of load and garment type. If you select **LESS**, the amount of detergent will be reduced by 40%. This may be desired for higher concentrate detergents or if you have very soft water. For heavily soiled loads, you may want to select **MORE** to add 40% more detergent than the **AUTO** level. You can set the brand/type of detergent in the SmartHQ App so that the washer can make adjustments based on detergent manufacturers recommendations.

NOTE: Not all cycles will allow the use of the SmartDispense feature. If the light is not illuminated and pressing the **SMART DISPENSE** pad results in a beeping tone, then SmartDispense is not allowed for the cycle that has been selected. Detergent will need to be added directly to the detergent compartment for these cycles.



Use only HE High-Efficiency liquid detergent



If it is desired to manually add detergent for a particular load:

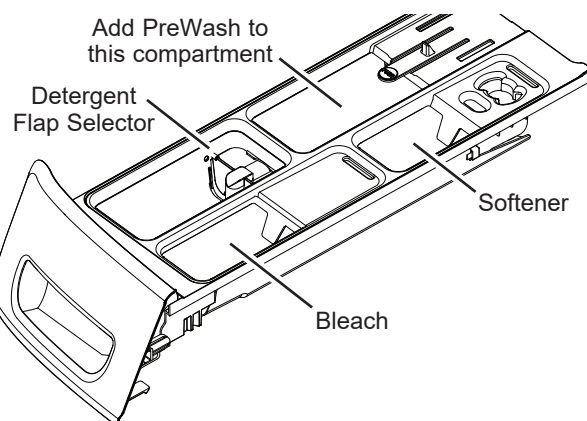
1. Press the **SMART DISPENSE** pad on the control panel until its light turns off which indicates the SmartDispense feature has been turned off.
2. Set the flap in the detergent compartment to the type of detergent to be used - Powder or Liquid. See the **Detergent Compartment** section.
3. Add the desired amount of detergent into the detergent compartment.

If the display indicates that the SmartDispense tank is estimating there is insufficient detergent to wash a load, the SmartDispense light will flash. The washer can still run a cycle, but it suggested that you add detergent in the manual detergent compartment or refill the SmartDispense tank.

Prewash Compartment (on some models)

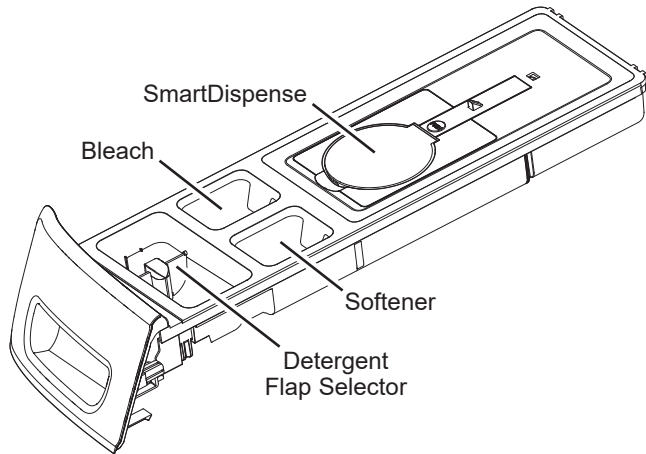
Only use the prewash compartment if you are selecting the **PreWash** cycle for heavily soiled clothes. Add measured detergent or prewash additive to the back left prewash compartment of the dispenser drawer.

- Detergent or prewash additive is flushed from the dispenser in the **PreWash** (if selected).
- Detergent usage may need to be adjusted for water temperature, water hardness, size and soil level of the load. Avoid using too much detergent in your washer as it can lead to over sudsing and detergent residue being left on the clothes.

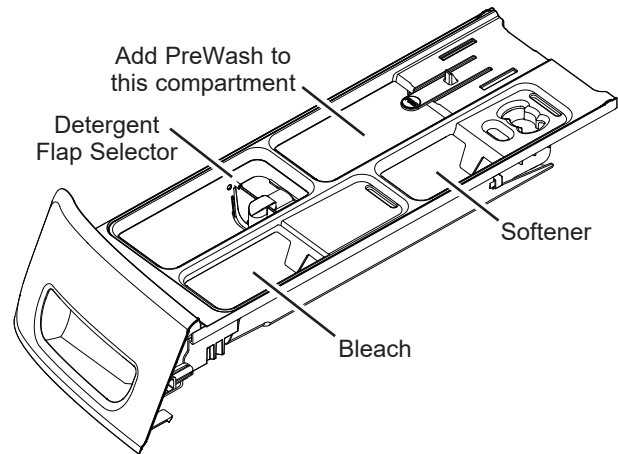


Using the washer

On models with SmartDispense:



On models without SmartDispense:



Detergent Compartment

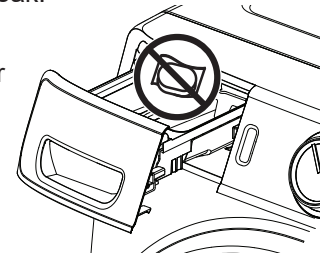
Only use high-efficiency detergent in this washer. Do NOT fill high-efficiency detergent over the MAX line. Use detergent manufacturer's recommended amount.

- **Powder Detergent** – Lift the flap up for powder detergent. This must be done to dissolve and flush detergent properly. Follow the detergent manufacturer's instructions when measuring the amount of powder detergent to use.
- **Liquid Detergent** – Keep the flap down for liquid detergent. This retains the liquid detergent until it automatically flushes at the start of the wash cycle. Follow the detergent manufacturer's instructions when measuring the amount of liquid detergent to use.


Detergent usage may need to be adjusted for water temperature, water hardness, size and soil level of the load. Avoid using too much detergent in your washer as it can lead to oversudsing, detergent residue being left on the clothes, and could extend wash times.

Do not put clumped detergent in the dispenser. Clumped detergent can cause a leak.

Do NOT put detergent packets in the dispenser drawer.



Liquid Bleach Compartment

If desired, measure out the recommended amount of liquid bleach, not to exceed 1/3 cup (80 ml) and pour into the compartment labeled "LIQUID BLEACH" marked with this symbol .

It is recommended to use High-Efficiency (HE) bleach in this front-load washer.

Do not exceed the maximum fill line. Overfilling can cause early dispensing of the bleach which could result in damaged clothes.

NOTE: Do not use powdered bleach or laundry detergent/additive packets in the dispenser.

Fabric Softener Compartment

If desired, pour the recommended amount of liquid fabric softener into the compartment labeled "FABRIC SOFTENER".

Use only liquid fabric softener in the dispenser.

Do not exceed the maximum fill line. Overfilling can cause early dispensing of the fabric softener, which could stain clothes.

NOTE: Do not pour fabric softener directly on the wash load.

NOTE: The fabric softener compartment will be siphoned in the final rinse of the wash cycle. This compartment can also be used to accommodate other liquid rinse aids such as sanitizers and fabric enhancing liquids. The use of these other products must be certified by the liquid manufacturer for safety in the use of a residential washing machine and combination washer/dryer. Please check carefully, as certain liquids may invalidate the warranty on your Washer.

Consumer Help Indicator

Your washer is equipped with Consumer Help Indicator (CHI). CHI is our way to communicate a simple remedy for some situations that you can perform without the need to call for service. The chart below describes the helpful messages you may notice scrolling on your display when you return to start another load. These messages will provide simple remedies you can quickly perform.

<p>Spin light blinking</p>	<p>If an out-of-balance condition is detected by the washer, the Spin light will blink during the remaining portion of the cycle and will stay illuminated for a short time after cycle completion. When this occurs, the washer is taking actions to correct the out-of-balance condition and complete the cycle normally. In some cases, the washer may not be able to balance the load and spin up to full speed. If you notice the load is more wet than normal at the end of the cycle, redistribute the load evenly in the wash basket and run a Drain & Spin cycle. (See Extra Rinse in the Using the washer - Options section for details.)</p>
<p>"H2O SUPPLY" (Water not entering washer)</p>	<p>Check your house water supply. Did you forget to turn on one or both supply valves after installation or coming back from vacation? As soon as the message starts to scroll, the washer will initiate a 4 minute lock-out period. The washer controls won't respond/change during this time. After the 4 minutes, you can begin your cycle again. If you try to bypass the lock-out period by unplugging the washer, the 4 minute timer will start over again.</p>
<p>"CAnCELEd"</p>	<p>"CAnCELEd" may scroll on the display if the machine was paused for longer than 24 hours or if the machine has stopped itself before the cycle completed due to certain errors. As soon as the message starts to scroll, the washer will initiate a 4 minute lock-out period. The washer controls won't respond/change during this time. After the 4 minute period, you can begin your cycle again. If you try to bypass the lock-out period by unplugging the washer, the 4 minute timer will start over again. If the problem persists, call GE Appliances at 800.GE.CARES (800.432.2737) for service.</p>
<p>"door"</p>	<p>"door" will be shown on the display if you try to start a cycle when the door is not fully closed. "door" will also be shown on display if 3 cycles have been started without opening the door. The washer will not start another cycle until the door is opened. In either circumstance, try opening and closing the door, and then starting a new cycle. If the problem persists, call GE Appliances at 800.GE.CARES (800.432.2737) for service.</p>

Appliance Communication

WiFi Connect (For customers in the United States only - GE Appliances and Profile models only)

Your washer is **GE Appliances WiFi Connect** enabled.

It is highly recommended that you connect your washer to WiFi to download the latest software, receive periodic updates and benefit from many of the extended features available through the SmartHQ App. Many of the AI features for your washer require connection to the SmartHQ App.

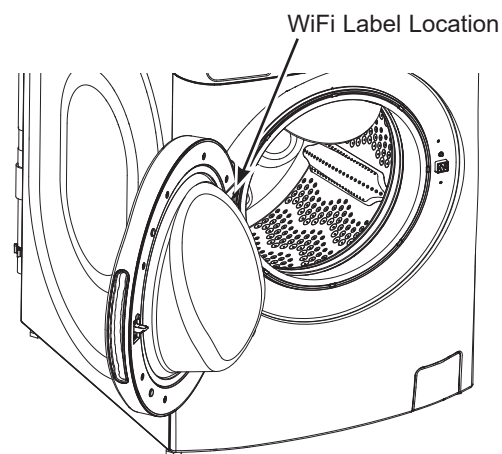
Visit geappliances.com/connect and enter your model number to show you the proper steps to connect your appliance.

Take special note of your washer's serial number and MAC ID address on the front of this manual.

Please visit GEAppliances.com/connect to learn more about connected appliance features, to learn what connected appliance App's will work with your smartphone.

WiFi Connectivity: For assistance with the appliance or the **ConnectPlus** network connectivity, please call GE Appliances at **800.220.6899**.

Scan here to get started.



Loading

Always follow fabric manufacturer's care label when laundering.

Sorting Wash Loads

Sort by color (whites, lights, colors), soil level, fabric type (sturdy cottons, easy care, delicates) and whether the fabric produces lint (terry cloth, chenille) or collects lint (velveteen, corduroy). Wash lint producers such as cotton towels and socks separate from lint collectors including synthetic garments and dress pants.

⚠ WARNING  - Fire Hazard

- DO NOT** wash fabrics soiled with flammable liquids or cleaning solvents.
- No washer can completely remove oil.
- DO NOT** dry anything that has been soaked in or spotted with any type of oil.
- DO NOT** reach into the washer until all moving parts have stopped.
- Doing so can result in death, explosion, fire or amputation.

Loading the Washer

The wash drum may be fully loaded with loosely added items.

To add items after the washer has started, press **Start/Pause** and wait until the door is unlatched. The washer may take up to 30 seconds to unlock the door after pressing **Start/Pause**, depending on the machine conditions. Do not try to force open the door when it is locked. After the door unlocks, open gently. Add items, close the door and press **Start/Pause** to restart.

Loading Examples

Load Type	Mixed Load	Towels & Sheets	Delicates*	Work Wear	Small Load (2-5 items)
Suggested Cycle	NORMAL	TOWELS	DELICATES	JEANS	QUICK CYCLE
Load Contents	6 Dress Shirts 3 Dress Pants 3 Poly T-Shirts 3 T-shirts 4 Pairs of Shorts 6 Boxers OR 6 T-shirts 4 Sweatpants 4 Sweatshirts 2 Hoodies 7 Pairs of Socks	4 Pillowcases 2 Hand Towels 2 Flat Sheets/ 2 Fitted Sheets 2 Bath Towels/ 4 Washcloths OR 2 Flat Queen-Sized Sheets 2 Fitted Queen-Sized Sheets 4 Pillowcases	7 Bras 7 Panties 3 Slips 2 Camisoles 4 Nightgowns *Using a nylon mesh bag for small items is recommended.	4 Jeans 5 Work Shirts 3 Work Pants	1 Pair Casual Pants 2 Casual Shirts OR 3 Soccer Uniforms

Care and cleaning

Water Supply Hoses

Periodically inspect all water inlet hoses for water leaks, wear, cuts, corrosion, and bulges. Replace all hoses immediately if any sign of these failures appear. All hoses should be replaced every 5 years of use to reduce risk of hose failures and possible water damage. When replacing hoses, refer to the Installation Instructions for proper installation. **DO NOT** overtighten or cross thread fittings. **DO NOT** allow the hose to rub against sharp objects, become kinked, or become over stretched. Always ensure hose rubber gaskets are installed and free from leaks when pressurized.

Exterior

Immediately wipe off any spills. Wipe or dust spills or washing compounds with a damp cloth. Washer control panel and finishes may be damaged by some laundry pretreatment and stain remover products. Apply these products away from the washer. The fabric may then be washed and dried normally. Damage to your washer caused by these products is not covered by your warranty. Do not hit surface with sharp objects.

Interior

Dry around the washer door opening, flexible gasket (including attached hoses) and door glass. These areas should always be clean to ensure a watertight seal. You will notice if you regularly use the ULTRAFRESH VENT System that this will not be required as often. It is recommended to rinse the washer at least once per month with 1 cup of bleach (or other commercially available product manufactured for this purpose, such as Tide® Washing Machine Cleaner) poured directly into the basket without clothes and using the **Self Clean** Cycle.

Self Clean

To clean the interior of the washer, select the **SELF CLEAN** feature on the control panel. This **Self Clean** cycle should be performed, at a minimum, once per month or about every 40 wash cycles. This cycle will use more water, in addition to bleach, to control the rate at which soils and detergents may accumulate in your washer.

NOTE: Read the instructions below completely before starting **Self Clean** cycle.

1. Remove any garments or objects from the washer and ensure the washer basket is empty.
2. Open the washer door and pour one cup or 250 ml of liquid bleach or other washing machine cleaner into the basket.
3. Close the door and select the **SELF CLEAN** cycle. Push the **Start** pad.
4. When the **Self Clean** cycle is working, the display will show the estimated cycle time remaining. The cycle will complete in about 90 minutes. Do not interrupt the cycle.



5. After the cycle is complete (on some models), the washer will automatically start an ULTRAFRESH VENT operation so that the door can remain closed until the next time you use the washer.

If for any reason the cycle needs to be interrupted, the door will not open immediately. Forcing open the door at this stage may cause water to flood. The door will open after the water is drained to a level where it would not flood the floor.

Self Clean may be interrupted by pressing the **Start** pad in between cycles. A power outage in the house might also interrupt the cycle. When the power supply is back, the **Self Clean** cycle resumes where it had stopped. When interrupted, be sure to run a complete **Self Clean** cycle before using the washer. If the **Power** pad is pressed during **Self Clean**, the cycle will be lost.

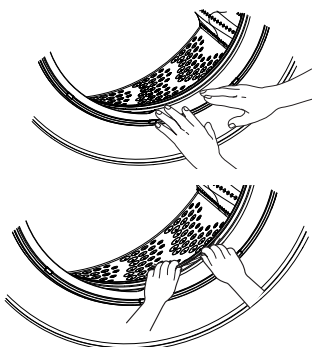
IMPORTANT:

- Run **Self Clean** with one Cup (250 ml) of bleach once a month.
- After the completion of a **Self Clean** cycle, the interior of your washer may have a bleach smell.
- It is recommended to run a **RINSE & SPIN** or a light color load after the **Self Clean** cycle.

Door Gasket

Open the washer door. Using both hands, press down the door gasket.

While holding down the door gasket, inspect the interior fold. Remove any foreign objects if found trapped inside this gasket.



Make sure there is nothing blocking the holes behind the gasket.

When you are finished cleaning the door gasket, release it and the gasket will return to the operating position.



Care and cleaning

Dispenser Drawer Area

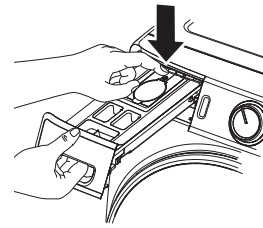
Detergent and fabric softener may build up in the dispenser drawer. Residue should be removed once or twice a month.

- Remove the drawer by first pulling it out until it stops. Then reach back into the rear of the drawer cavity and press down firmly on the lock tab, pulling out the drawer.
- Rinse the drawer with hot water to remove traces of accumulated laundry products.
- To clean the drawer opening, use a small brush to clean the recess. Remove all residue from the upper and lower parts of the recess.
- Replace the dispenser drawer.
- To reduce buildup in the Dispenser Drawer area:

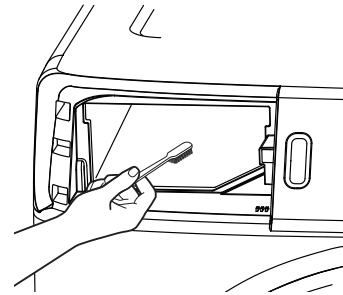
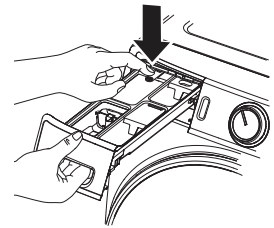
Use only HE High-Efficiency detergent



On models with SmartDispense:



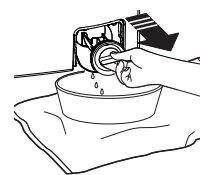
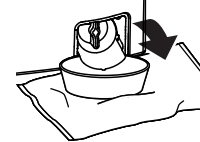
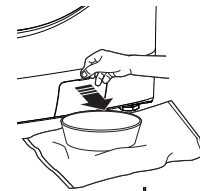
On models without SmartDispense:



Pump Filter

Due to the nature of the front-load washer, it is sometimes possible for small articles to pass to the pump. The washer has a filter to capture lost items so they are not dumped to the drain. To retrieve lost items, clean out the pump filter.

1. Using a small flathead screwdriver or coin, open the access door.
2. Place a shallow pan or dish under the pump access door and towels on the floor in front of the washer to protect the floor. It is normal to catch about a cup of water when the filter is removed.
3. Pull down the pour spout.
4. Turn the pump filter counterclockwise and remove the filter slowly, controlling the flow of the draining water.
5. Remove the filter and clean the debris from the filter.
6. Replace the filter and turn clockwise. Tighten securely.
7. Flip up the pour spout.
8. Close the access door by hooking the bottom tabs first, then rotating the access door shut.



Video

Scan this code to watch a video on this topic.

Moving and Storage

Ask the service technician to remove water from drain pump and hoses. Do not store the washer where it will be exposed to the weather. When moving the washer, the tub should be kept stationary by using the shipping bolts removed during installation. See Installation Instructions in this manual. If these parts are not available, they can be ordered by visiting our Website at GEApplianceparts.com or by calling GE Appliances at 877.959.8688. In Canada, visit your local GE Appliances parts distributor or call 800.661.1616 or GEAppliances.ca/en/products/parts-filters-accessories.

Long Vacations

Be sure water supply is shut off at faucets. Drain all water from hoses and water filter pump area if weather will be below freezing.

Installation Instructions

Washer

If you have any questions, call GE Appliances at 800.GE.CARES (800.432.2737) or visit our Website at: GEAppliances.com
In Canada, call 800.561.3344 or visit GEAppliances.ca

BEFORE YOU BEGIN

Read these instructions completely and carefully.

- **IMPORTANT** — Save these instructions for local inspector's use.
- **IMPORTANT** — Observe all governing codes and ordinances.
- **Note to Installer** — Be sure to leave these instructions with the Consumer.
- **Note to Consumer** — Keep these instructions for future reference.
- **Skill level** — Installation of this appliance requires basic mechanical and electrical skills.
- **Completion time** — 1-3 hours
- Proper installation is the responsibility of the installer.
- Product failure due to improper installation is not covered under the Warranty.

LOCATION OF YOUR WASHER

DO NOT Install the Washer:

1. In an area exposed to dripping water or outside weather conditions. The ambient temperature should never be below 60°F (15.6°C) for proper washer operation.
2. In an area where it will come in contact with curtains or drapes.
3. On carpet. The floor **MUST** be a hard surface with a maximum slope of 1/2" per foot (1.27 cm per 30 cm). To make sure the washer does not vibrate or move, you may have to reinforce the floor.

NOTE: If floor is in poor condition, use 3/4" impregnated plywood sheet solidly attached to existing floor covering.

MOBILE HOME INSTALLATION:

Installation must conform to Standard for Mobile Homes, ANSI A119.1 and National Mobile Home Construction and Safety Standards Act of 1974 (PL93-383).

TOOLS REQUIRED

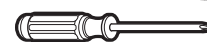
- Level
- Adjustable wrench



- Channel-lock adjustable pliers

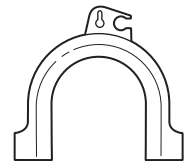


- Phillips screwdriver



PARTS SUPPLIED

- Shipping Bolt Covers (4)
- Drain Hose Guide



- Lock Bar - Retain for Reversing the Door Swing (optional on some models only)



- Cable Tie



PARTS REQUIRED (Sold separately or included with the GFW510 model)

- Water Hoses (2)
- Rubber Washers (2) and Strainer Screens (2)



GE Appliances Parts and Accessories

Order on-line at GEApplianceparts.com today, 24 hours a day or by phone at 877.959.8688 during normal business hours. In Canada, visit your local GE Appliances parts distributor or call 800.661.1616 or GEAppliances.ca/en/products/parts-filters-accessories.

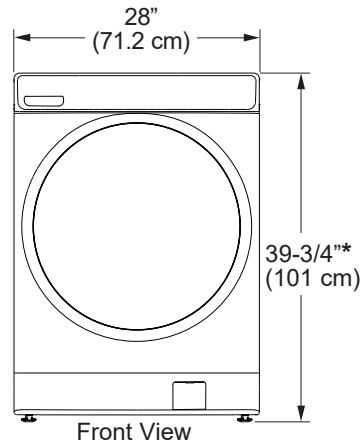
Part Number Accessory

WX14X10011 6 ft stainless steel washer hoses with 90° elbows; 2-pack

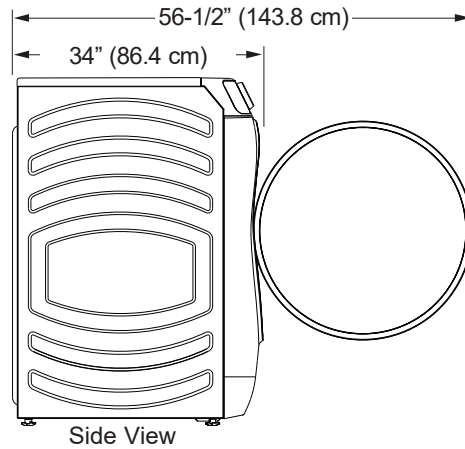
WH1X2267 Rubber Washer (1) and Screen (1)

Installation Instructions

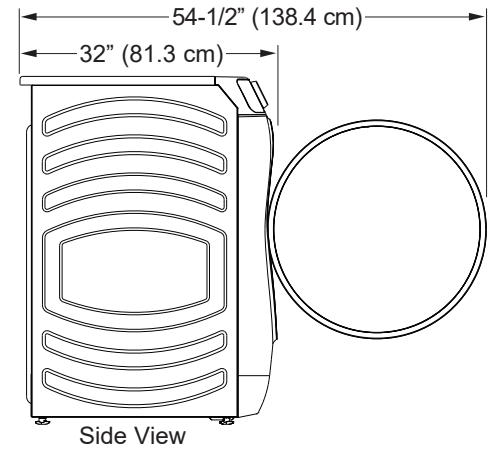
WASHER DIMENSIONS



Models - PFW950, GFW850:



Models - GFW655, GFW550, GFW510:

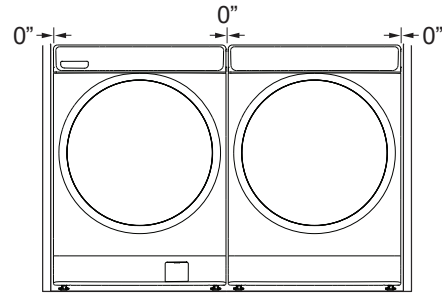
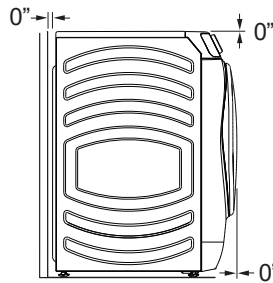


*With leveling legs retracted: 39-3/4 (101 cm). / With leveling legs fully extended: 40-5/8 (103.1 cm).

MINIMUM CLEARANCES

Alcove or Closet

- Rear = 0"
- Sides = 0"
- Top = 0"
- Front = 0"



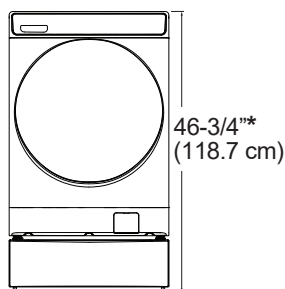
- Consideration must be given to provide adequate clearance for installation and service.
 - Closet doors must be louvered or otherwise ventilated and have at least 60 square inches (387.1 cm²) of open area. If the closet contains both a washer and a dryer, doors must contain a minimum of 120 square inches (774.2 cm²) of open area.
- *To enable 0" clearance on the back of the washer, you must use 90° elbow hoses. Otherwise you may require some additional clearance to avoid rubbing of the hoses against the back wall.

ACCESSORIES:

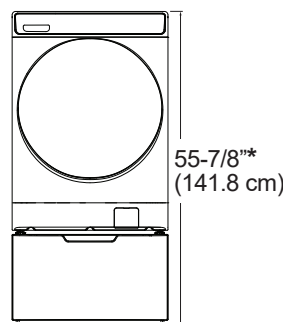
Order on-line at GEApplianceparts.com, 24 hours a day or by phone at 877.959.8688 during normal business hours.

Part Number	Accessory
GFR0728SNWW	White Riser
GFR0728PNSN	Satin Nickel Riser
GFR0728PNRS	Royal Sapphire Riser
GFR0728PNDG	Diamond Gray Riser
GFR0728PTDS	Black Slate Riser
GFP1528SNWW	White Pedestal
GFP1528PNSN	Satin Nickel Pedestal
GFP1528PNRS	Royal Sapphire Pedestal
GFP1528PNDG	Diamond Gray Pedestal
GFP1528PTDS	Black Slate Pedestal
GFA28KITN	Stacking Kit for Dryer over Washer

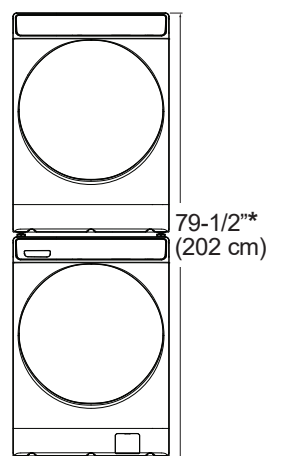
Riser:



Pedestal:



Stacked:



Follow the **Installation Instructions** included in the Kit for all clearances and installation requirements.

*With leveling legs retracted. See the **WASHER DIMENSIONS** section above for legs extension dimensions.

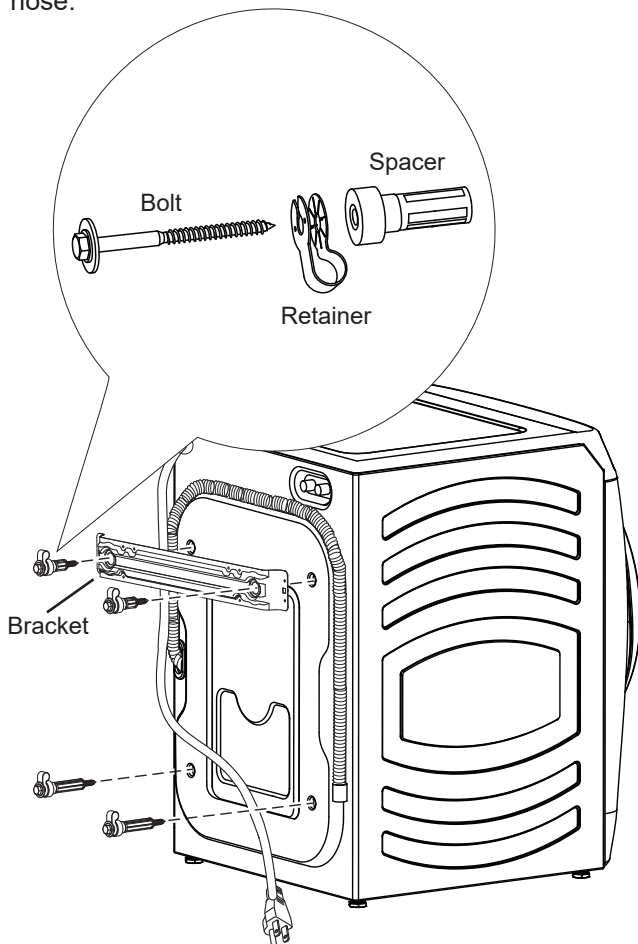
Installation Instructions

UNPACKING THE WASHER

▲ WARNING Recycle or destroy the carton and plastic bags after the washer is unpacked. Make materials inaccessible to children. Children might use them for play. Cartons covered with rugs, bedspreads or plastic sheets can become airtight chambers causing suffocation.

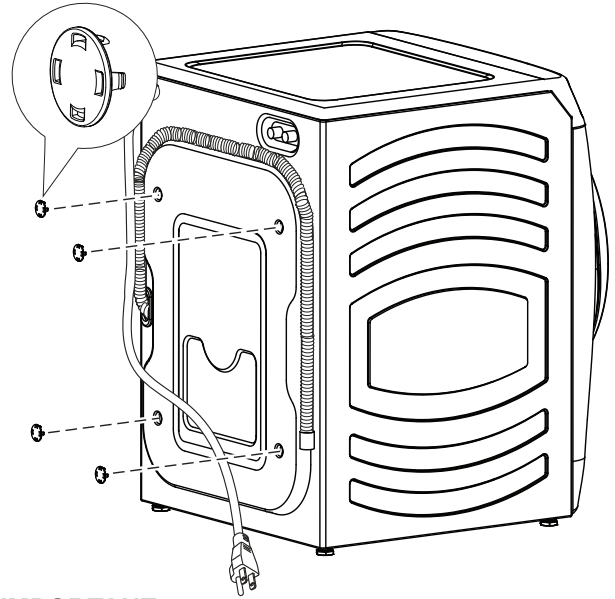
1. Cut and remove all packaging straps.
2. While it is in the carton, carefully lay the washer on its side. DO NOT lay the washer on its front or back.
3. Turn down the bottom flaps. Remove all base packaging including the styrofoam base.
4. Carefully return the washer to an upright position and remove the carton by lifting it upward.
5. Carefully move the washer to within 4 feet (122 cm) of the final location.
6. Remove the following from the back side of the washer:
 - 4 bolts
 - 4 plastic spacers (including power cord retainers and rubber grommets)
 - 1 bracket and the screws fastening it to the washer

NOTE: Do NOT remove the screw or clip holding the hose.



UNPACKING THE WASHER (cont.)

7. Insert shipping bolt hole covers into shipping bolt holes.



IMPORTANT:

- Failure to remove all shipping support hardware can cause the washer to become severely unbalanced.
- Save all shipping support hardware for future use. If you must transport the washer at a later date, you must reinstall the shipping bolts and spacers to prevent shipping damage. The bracket is not required and can be discarded.

NOTE: Consider recycling options for your appliance packaging material.

Installation Instructions

ELECTRICAL REQUIREMENTS

⚠ WARNING - Electrical Shock Hazard

Plug into a grounded 3-prong outlet.

DO NOT remove ground prong.

DO NOT use an adapter.

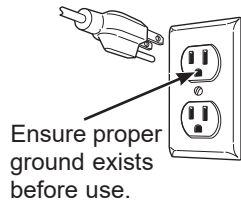
DO NOT use an extension cord.

Failure to follow these instructions can result in death, fire or electrical shock.

CIRCUIT – Individual, properly polarized and grounded 15 or 20 amp circuit breaker or time-delay fuse.

POWER SUPPLY – 2 wire plus ground, 120 Volt, single phase, 60 Hz, alternating current.

Outlet Receptacle – Properly grounded 3-prong receptacle to be located so the power cord is accessible when the washer is in an installed position. If a 2-prong receptacle is present, it is the owner's responsibility to have a licensed electrician replace it with a properly grounded 3-prong grounding type receptacle.



Washer must be electrically grounded in accordance with local codes and ordinances, or in the absence of local codes, with latest edition of the NATIONAL ELECTRICAL CODE, ANSI/NFPA NO. 70 or CANADIAN ELECTRICAL CODE, CSA C22.1. Check with a licensed electrician if you are not sure that the washer is properly grounded.

GROUNDING INSTRUCTIONS

This appliance must be grounded. In the event of malfunction or breakdown, grounding will reduce the risk of electric shock by providing a path of least resistance for electric current. This appliance is equipped with a cord having an equipment-grounding conductor and a grounding plug. The plug must be plugged into an appropriate outlet that is properly installed and grounded in accordance with all local codes and ordinances.

⚠ WARNING Improper connection of the equipment-grounding conductor can result in a risk of electrical shock. Check with a qualified electrician, or service representative or personnel, if you are in doubt as to whether the appliance is properly grounded. **DO NOT** modify the plug on the power supply cord. If it will not fit the outlet, have a proper outlet installed by a qualified electrician.

If required by local codes, an external 18 gauge or larger copper ground wire (not provided) may be added. Attach to washer cabinet with a #10-16 x 1/2" sheet metal screw (available at any hardware store) to rear of washer.

⚠ WARNING - Electrical Shock Hazard

Disconnect power supply before servicing.

Replace all parts and panels before operating.

Failure to do so can result in death or electrical shock.

⚠ WARNING - Shock Hazard

Certain internal parts are intentionally not grounded and may present a risk of electric shock only during servicing.

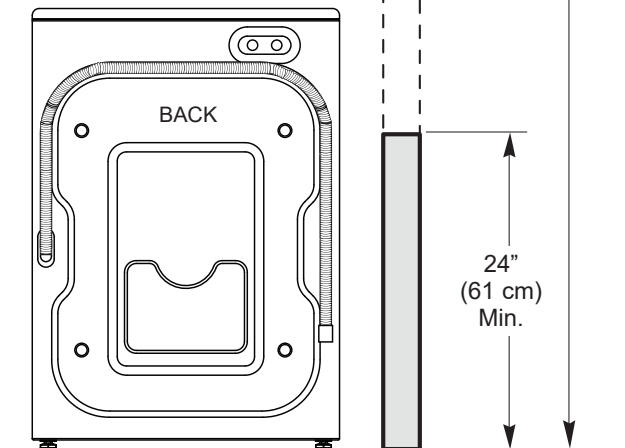
Service personnel – DO NOT contact the following parts while the appliance is energized: water valve, drain pump, NTC, heater, door lock, inverter board, motor and MC board.

WATER SUPPLY REQUIREMENTS

The faucets **MUST** be 3/4" (1.9 cm) garden hose-type so inlet hoses can be connected. Water pressure **MUST** be between 10 and 120 pounds per square inch. Your water department can advise you of your water pressure. The hot water temperature should be set to deliver water at 120° to 140°F (48°–60°C) to provide proper Automatic Temperature Control (ATC) performance.

DRAIN REQUIREMENTS

1. Drain capable of eliminating 10 gallons (38 L) per minute.
2. A standpipe diameter of 1-1/4" (3.18 cm) minimum.
3. The standpipe height above the floor should be:
Minimum height: 24" (61 cm)
Maximum height: 96" (244 cm)

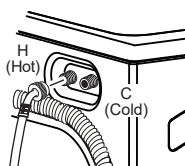


Installation Instructions

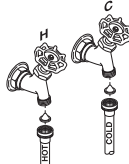
INSTALLING THE WASHER

1. Run some water from the hot and cold faucets to flush the water lines and remove particles that might clog the inlet hose and water valve screens.
2. Remove the inlet hoses from the packaging (whether supplied with the washer or sold separately).

3. (90° elbow end) Ensure there is a rubber washer in the 90° elbow end of the HOT and COLD hoses. Reinstall the rubber washer into the hose fitting if it has fallen out during shipment. Carefully connect the inlet hose marked HOT to the outside "H" outlet of the water valve. Tighten by hand, then tighten another 2/3 turn with pliers. Carefully connect the other inlet hose to the inside "C" outlet of the water valve. Tighten by hand; then tighten another 2/3 turn with pliers. **Do not crossthread or over-tighten these connections.**



4. If inlet hose screen washers are not already inserted into the inlet hoses, install them by inserting into the free ends of the HOT and COLD inlet hoses with protruded side facing the faucet.
5. Connect the inlet hose ends to the HOT and COLD water faucets tightly by hand, then tighten another 2/3 turn with pliers. Turn the water on and check for leaks.



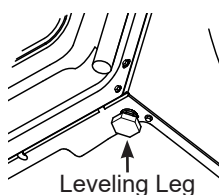
6. Carefully move the washer to its final location. Gently rock the washer into position. It is important not to damage the rubber leveling legs when moving your washer to its final location. Damaged legs can increase washer vibration. It may be helpful to spray window cleaner on the floor to help move your washer into its final position.

NOTE: To reduce vibration, ensure that all four rubber leveling legs are firmly touching the floor. Push and pull on the back right and then back left of your washer.

NOTE: Do not use the dispenser drawer or door to lift the washer.

NOTE: If you are installing into a drain pan, you can use a 24-inch long 2x4 to lever the washer into place.

7. With the washer in its final position, place a level on top of the washer (if the washer is installed under a counter, the washer should not be able to rock). Adjust the front leveling legs up or down to ensure the washer is resting solidly. Turn the lock nuts on each leg up toward the base of the washer and snug with a wrench.



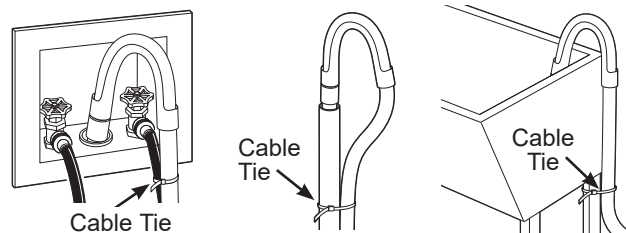
NOTE: Keep the leg extension at a minimum to prevent excessive vibration. The farther out the legs are extended, the more the washer will vibrate.

If the floor is not level or is damaged, you may have to extend the rear leveling legs.



INSTALLING THE WASHER (cont.)

8. Attach U-shaped hose guide to the end of the drain hose. Place the hose in a laundry tub or standpipe and secure it with the cable tie provided in the enclosure package.



NOTE: Placing the drain hose too far down the drain pipe can cause a siphoning action. No more than 7 inches of hose should be in the drain pipe. There must be an air gap around the drain hose. A snug fit can cause a siphoning action.

9. Plug the power cord into a grounded outlet.
NOTE: Check to be sure the power is off at the circuit breaker/fuse box before plugging the power cord into an outlet.
10. Turn on the power at the circuit breaker/fuse box.
11. Read the rest of this Owner's Manual. It contains valuable and helpful information that will save you time and money.

12. Before starting the washer, check to make sure:

- Main power is turned on.
- The washer is plugged in.
- The water faucets are turned on.
- The unit is level and all four leveling legs are firmly on the floor.
- The shipping support hardware is removed and saved.
- The drain hose is properly tied up.
- There are no leaks at the faucet, drain line or washer.

13. Run the washer through a complete cycle. Check for water leaks and proper operation.
14. If your washer does not operate, please review the Before You Call For Service section before calling for service.
15. Place these instructions in a location near the washer for future reference.

REPLACEMENT PARTS

If replacement parts are needed for your washer, they can be ordered in the United States by visiting our Website at GEApplianceparts.com or by calling GE Appliances at 877.959.8688. In Canada, visit GEAppliances.ca/en/products/parts-filters-accessories or call 800.661.1616.

Installation Instructions

REVERSING THE DOOR SWING (OPTIONAL ON SOME MODELS ONLY)

⚠ WARNING

Unplug the appliance or turn off the circuit breaker before servicing. Pressing the **Power** pad **DOES NOT** disconnect power.

⚠ WARNING - Shock Hazard

Certain internal parts are intentionally not grounded and may present a risk of electric shock only during servicing.

Service personnel – DO NOT contact the following parts while the appliance is energized: water valve, drain pump, NTC, heater, door lock, inverter board, motor and MC board.

IMPORTANT NOTES

- Handle parts carefully to avoid scratching paint.
- Provide a non-scratching work surface for the door.
- Set screws down by their related parts to avoid using them in the wrong places.
- Once you begin, do not move the cabinet until door-swing reversal is completed.
- These instructions are for changing the hinges from the left side to the right side—if you ever want to switch them back to the right side, follow these same instructions and reverse all references to the left and right.

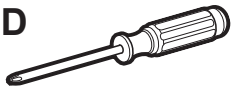
Video



Scan this code to watch a video on this topic.

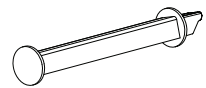
TOOL YOU WILL NEED

- Phillips-head screwdriver



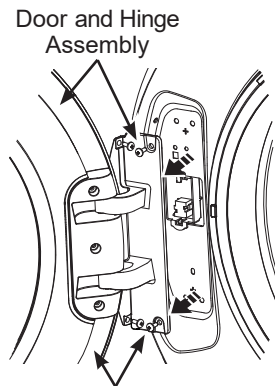
PART SUPPLIED

- Lock Bar



1 REMOVE THE DOOR ASSEMBLY

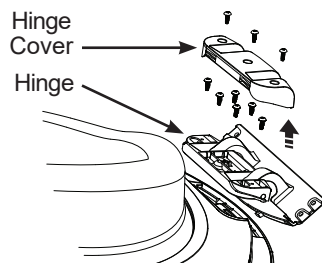
- Open the washer door.
- While supporting the door, remove the 6 screws from the hinge in the washer face.
- Lift the door assembly to remove it from the washer face and set it on a protective surface.



Hold the Door and Remove Hinge Screws from the Washer

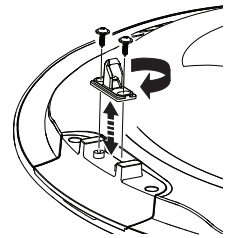
2 REMOVE THE DOOR HINGE COVER AND THE DOOR HINGE

- Remove the 3 screws from the hinge cover and remove the cover.
- Remove the 6 screws from the hinge and remove the hinge from the door.



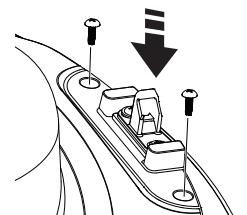
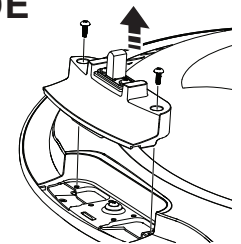
3 REMOVE, REVERSE AND REPLACE THE DOOR STRIKER

- Remove the 2 screws from the striker. Rotate the striker 180° and reinstall the striker with its screws.



4 REMOVE THE DOOR STRIKER ASSEMBLY AND REPLACE ON THE OPPOSITE SIDE

- Remove the 2 screws from the striker assembly and remove the assembly by pulling it toward the center, pushing it up and pulling it out.
- Rotate the striker assembly and replace it on the opposite side with its screws.

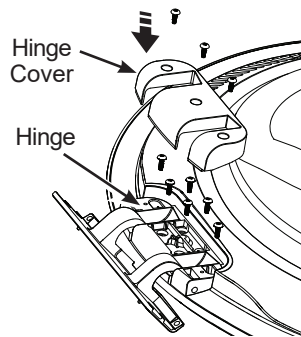


Installation Instructions

REVERSING THE DOOR SWING (OPTIONAL ON SOME MODELS ONLY)

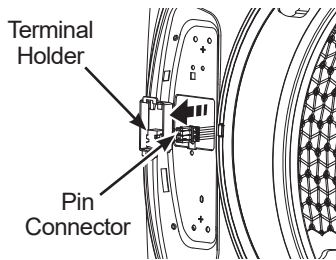
5 REPLACE THE DOOR HINGE AND THE DOOR HINGE COVER ON THE OPPOSITE SIDE

- Rotate the door hinge and replace it on the opposite side with its screws.
- Rotate the door hinge cover and replace it on the opposite side with its screws.



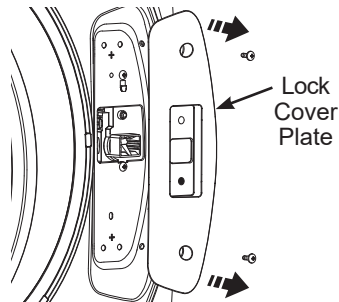
6 REMOVE THE TERMINAL HOLDER AND DISCONNECT THE PIN CONNECTOR FROM WASHER

- Using your fingers, pry the terminal holder from the washer face.
- Disconnect the pin connector.

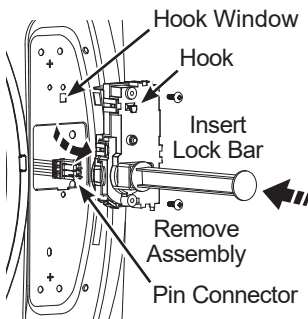


7 REMOVE LOCK ASSEMBLY AND INSTALL ON OPPOSITE SIDE OF WASHER

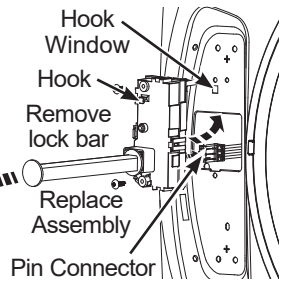
- Remove the 2 screws from the lock cover plate and remove it from the washer face.



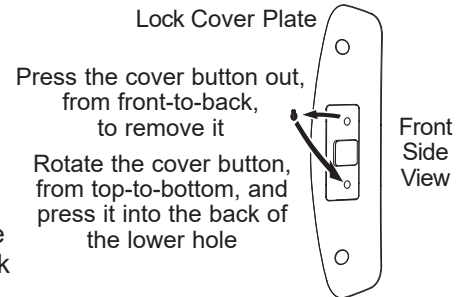
- Insert the provided lock bar into the lock mechanism in the washer face. Remove the lock assembly by removing its two screws, using the lock bar to lift it up to unhook, tilting and pulling it out of the washer face. Disconnect its pin connector by unsnapping its locks.



- Do **NOT** rotate lock assembly. Move it to the opposite side of the washer and connect the pin connector making sure it is fully snap locked together. Tilt and insert the lock assembly into the washer face, lift it up and latch its hook into its window. Replace its screws. Remove the lock bar from the assembly and retain for future use.

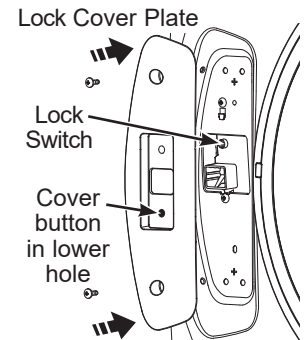


- Remove the lock switch cover button from the back of the lock cover plate and replace it in the opposite hole in the lock cover plate.



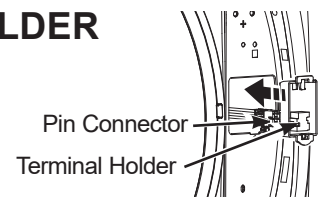
- **NOTE:** The cover button must be reinstalled into the lower hole in the lock cover plate as shown.

- Install the lock cover plate over the lock assembly, making sure that the lock switch operates freely. Replace its screws.



8 RECONNECT PIN CONNECTOR FROM WASHER AND REPLACE TERMINAL HOLDER

- Reconnect the pin connector and press the terminal holder back into the washer face on the opposite side.

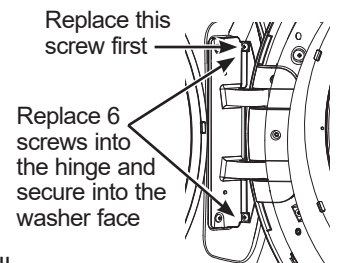


9 REPLACE THE DOOR ASSEMBLY

- Lift the door assembly into place and secure it onto washer face with its 6 screws.

- Close the washer door. **NOTE:** Make sure the door opens and closes correctly. If not, repeat all steps making sure all parts and screws are securely seated.

- Connect power cord and turn on the breaker.*



*After the door reversal is finished, run the washer through a complete cycle to verify proper operation.

Troubleshooting Tips... Before you call for service

It is highly recommended that you connect your washer to WiFi to download the latest software, receive periodic updates and benefit from many of the extended features available through the SmartHQ App. Many of the AI features for your washer require connection to the SmartHQ App. This may resolve some issues listed below.

Problem	Possible Cause	What To Do
Not draining Not spinning Not tumbling	Load is out of balance	Redistribute clothes and run Rinse & Spin . Increase load size if washing small load containing heavy and light items.
	Pump filter may be clogged	See the Care and Cleaning section on how to clean the Pump Filter .
	Drain hose is kinked or improperly connected	Straighten drain hose and make sure washer is not sitting on it.
	Household drain may be clogged	Check household plumbing. You may need to call a plumber.
	Drain hose siphoning; drain hose pushed too far down the drain	Ensure there is an air gap between hose and drain. Also, ensure the drain hose is not inserted more than 7" into the drain pipe.
Leaking water	Door gasket is damaged	Check to see if gasket is seated and not torn. Objects left in pockets may cause damage to the washer (nails, screws, pens, pencils) Water may drip from the door when the door is opened. This is a normal operation. Carefully wipe off rubber door seal. Sometimes dirt or clothing is left in this seal and can cause a small leak
	Check back left of washer for water	If this area is wet, you have oversudsing condition. Use less detergent.
	Fill hoses or drain hose is improperly connected	Make sure hose connections are tight at washer and faucets and make sure end of drain hose is correctly inserted in and secured to drain facility.
	Household drain may be clogged	Check household plumbing. You may need to call a plumber.
	Dispenser clogged	Powder soap may cause clogs inside the dispenser and cause water to leak out the front of the dispenser. Remove drawer and clean both drawer and inside of dispenser box. Laundry detergent packets should NOT be used in the dispenser. They should only be added directly to the wash basket following the manufacturer's directions. Please refer to Care and Cleaning section.
	Incorrect use of detergent	Use only HE and correct amount of detergent.
	Dispenser box cracked	If new installation, check for crack on inside of dispenser box.
Clothes too wet	Load is out of balance	Redistribute clothes and run Rinse & Spin .
		Increase load size if washing small load containing heavy and light items.
		The machine will slow the spin speed down to 410 rpm if it has a hard time balancing the load. This speed is normal.
	Pump filter may be clogged	See the Care and Cleaning section on how to clean the Pump Filter .
	Overloading	The dry weight of the load should be less than 16 lbs.
	Drain hose is kinked or improperly connected	Straighten drain hose and make sure washer is not sitting on it.
	Household drain may be clogged	Check household plumbing. You may need to call a plumber.
	Drain hose siphoning; drain hose pushed too far down the drain	Ensure there is an air gap between hose and drain. Also, ensure the drain hose is not inserted more than 7" into the drain pipe.

Troubleshooting Tips... Before you call for service

Problem	Possible Cause	What To Do
Incomplete cycle or timer not advancing	Automatic load redistribution	Timer adds up to 3 minutes to cycle for each rebalance. 11 or 15 rebalances may be done. This is normal operation. Do nothing; the machine will finish the wash cycle.
	Pump filter may be clogged	See the Care and Cleaning section on how to clean the Pump Filter .
	Drain hose is kinked or improperly connected	Straighten drain hose and make sure washer is not sitting on it.
	Household drain may be clogged	Check household plumbing. You may need to call a plumber.
	Drain hose siphoning; drain hose pushed too far down the drain	Ensure there is an air gap between hose and drain.
Loud or unusual noise; vibration or shaking	Cabinet moving	Washer is designed to move 1/4" to reduce forces transmitted to the floor. This movement is normal.
	All rubber leveling legs are not firmly touching the floor	Push and pull on the back right and then back left of your washer to check if it is level. If the washer is uneven, adjust the rubber leveling legs so they are all firmly touching the floor and locked in place.
	Unbalanced load	Pause unit, open door and manually redistribute load. To check machine, run rinse and spin with no load. If normal, unbalance was caused by load.
	Pump filter may be clogged	See the Care and Cleaning section on how to clean the Pump Filter .
No power/washer not working or dead	Washer is unplugged	Make sure cord is plugged securely into a working outlet.
	Water supply is turned off	Turn both hot and cold faucets fully on.
	Circuit breaker/fuse is tripped/blown	Check house circuit breakers/fuses. Replace fuses or reset breaker. Washer should have separate outlet.
	Automatic self system checks	First time the washer is plugged in, automatic checks occur. It may take up to 20 seconds before you can use your washer. This is normal operation.
"H2O SUPPLY" appears in display	Water not entering washer	See the Consumer Help Indicator section for details.
"CAnCELEd" appears in display	Washer paused or stopped	See the Consumer Help Indicator section for details.
"door" appears in display	Door not fully closed or 3 cycles started without opening door in between	See the Consumer Help Indicator section for details.
Snags, holes, tears, rips or excessive wear	Overloaded	Do not exceed maximum recommended load sizes. See recommended maximum load sizes in the Loading section.
	Pens, pencils, nails, screws or other objects left in pockets	Remove loose items from pockets.
	Pins, snaps, hooks, sharp buttons, belt buckles, zippers and sharp objects left in pockets	Fasten snaps, hooks, buttons and zippers.
Control time wrong or changes	This is normal	During spin the washer may need to rebalance the load sometimes to reduce vibrations. When this happens, the estimated time is increased causing time left to increase or jump.

Troubleshooting Tips... Before you call for service

Problem	Possible Cause	What To Do
Not enough water	This is normal	Horizontal washers do not require the tub to fill with water like top-load washers.
Washer pauses or has to be restarted, or washer door is locked and will not open	Pump filter may be clogged	See the Care and Cleaning section on how to clean the Pump Filter .
Door unlocks or press Start and machine doesn't operate	This is normal	Front-load washers start up differently than top-load washers, and it takes several seconds to check the system. The door will lock and unlock.
	Incorrect operation	Simply open and close the door firmly; then press Start .
	Control Lock On	Press and hold the Control Lock button for 3 seconds.
Water does not enter washer or enters slowly	Automatic self system checks	After Start is pressed, the washer does several system checks. Water will flow several seconds after Start is pressed.
	Water valve screens are stopped up	Turn off the water source and remove the water connection hoses from the upper back of the washer. Use a brush or toothpick to clean the screens in the machine. Reconnect the hoses and turn the water back on.
	Inlet hose screen washers are stopped up	Turn off the water source and remove the inlet hoses from the wall faucets. Use a brush or toothpick to clean the screen washers in the end of the hoses. Reconnect the hoses and turn the water back on.
	Pump filter may be clogged	See the Care and Cleaning section on how to clean the Pump Filter .
	Fill hoses may be kinked	Check that fill hoses are not kinked or clogged.
	Water supply is turned off	Turn on both hot and cold faucets fully.
	Energy efficiency	This is an energy-efficient washer. As a result, the temperature settings for this washer may be different than for a non-energy-efficient washer.
	Insufficient water supply	Make sure that the water supply is turned on. Make sure that the water faucets are turned to their completely open position.
	The washer door is open	The washer door must be closed for all washer cycle operations. If the door is opened during the washer operation, all functions will stop, including water filling.
	Incorrect fill hose connection	Make sure that the fill hoses connect the hot water supply to the hot inlet on the washer and the cold water supply to the cold inlet on the washer (hot to hot, cold to cold).
Wrinkling	Improper sorting	Avoid mixing heavy items (like work clothes) with light items (like blouses).
	Overloading	Load your washer so clothes have enough room to move freely.
	Incorrect wash cycle	Match cycle selection to the type of fabric you are washing (especially for easy care loads).
	Repeated washing in water that is too hot	Wash in warm or cold water.

Troubleshooting Tips... Before you call for service

Problem	Possible Cause	What To Do
Grayed or yellowed clothes	Not enough detergent	Use correct amount of detergent.
	Not using HE (high efficiency) detergent	Use only HE detergent.
	Hard water	Use hottest water safe for fabric.
		Use a water conditioner like Calgon brand or install a water softener.
	Water is not hot enough	Make sure water heater is delivering water at 120°–140°F (48°–60°C).
	Detergent is not dissolving or using too much fabric softener	Try a liquid HE detergent. Use less fabric softener.
Dye transfer	Sort clothes by color. If fabric label states wash separately, unstable dyes may be indicated.	
Colored spots	Incorrect use of fabric softener	Check fabric softener package for instructions and follow directions for using dispenser.
	Dye transfer	Sort whites or lightly colored items from dark colors.
		Promptly remove wash load from washer.
Water temperature is incorrect	Water supply is improperly connected	Make sure hoses are connected to correct faucets.
	House water heater is not set properly	Make sure house water heater is delivering water at 120°–140°F (48°–60°C). (HOT to HOT and COLD to COLD).
Bad odor inside your Washer	Washer unused for a long time, not using recommended quality of HE detergent or used too much detergent	Regularly use ULTRAFRESH VENT between uses.
		In case of strong odor, you may need to run the Self Clean cycle more than once.
		Use only the amount of detergent recommended or adjust SmartDispense to LOW .
		Use only HE (high efficiency) detergent.
		Always remove wet items from the washer promptly after it stops running or use 1 Step Wash + Dry or Tumble Care .
		If you choose to not use the ULTRAFRESH VENT System, leave the door slightly open for the washer to air dry. Close supervision is necessary if this appliance is used by or near children. Do not allow children to play on or in this appliance.
	There is residual lint, etc. in the drain pump filter which should be cleaned	See the Care and Cleaning section on how to clean the Pump Filter .
Drain hose pushed too far down the drain	See the Installation Instructions section for proper installation.	
Detergent begins to slowly dispense into tub	This is normal	It is normal operation to see detergent leak on door gasket about 20 seconds after filling the dispenser.
Improper dispensing of softener or bleach	Dispenser clogged	Monthly clean the dispenser drawer to remove buildup of chemicals.
	Softener or bleach is filled above the max line	Make sure to have the correct amount of softener.
Dispenser drawer not dispensing properly	Laundry detergent packet placed in dispenser drawer	Laundry detergent packets should not be used in the dispenser. They should only be added directly to the wash basket following the manufacturer's directions.
Pump running while washer is not in use	Clog in sump drain	This is normal. Drain sump is detecting an undesired water fill level from a potential open faucet. Shut off water valve and inspect water valve for blockage. Ensure you have the latest updates for your washer available through the SmartHQ App.

GE Appliances Washer Limited Warranty

LIMITED WARRANTY

GEAppliances.com

All warranty service is provided by our Factory Service Centers, or an authorized Customer Care® technician. To schedule service online, visit us at GEAppliances.com/service, or call GE Appliances at 800.GE.CARES (800.432.2737). Please have your serial number and your model number available when calling for service.

Servicing your appliance may require the use of the onboard data port for diagnostics. This gives a GE Appliances factory service technician the ability to quickly diagnose any issues with your appliance and helps GE Appliances improve its products by providing GE Appliances with information on your appliance. If you do not want your appliance data to be sent to GE Appliances, please advise your technician not to submit the data to GE Appliances at the time of service.

For the period of:	We will replace:
One year From the date of the original purchase	Any part of the washer which fails due to a defect in materials or workmanship. During this limited one-year warranty , we will also provide, free of charge , all labor and related service to replace the defective part.
Ten years From the date of the original purchase	The motor , if it should fail due to a defect in materials or workmanship. During this additional nine-year limited warranty , you will be responsible for any labor and related service costs.

What is not covered:

- Service trips to your home to teach you how to use the product.
- Improper installation, delivery or maintenance.
- Failure of the product if it is abused, misused, or used for other than the intended purpose or used commercially.
- Replacement of house fuses or resetting of circuit breakers.
- Products which are not defective or broken, or which are working as described in the Owner's Manual.
- Damage to the product caused by accident, fire, floods or acts of God.
- Incidental or consequential damage caused by possible defects with this appliance.
- Defects or damage due to operation in freezing temperatures.
- Damage caused after delivery.
- Product not accessible to provide required service.

EXCLUSION OF IMPLIED WARRANTIES

Your sole and exclusive remedy is product repair as provided in this Limited Warranty. Any implied warranties, including the implied warranties of merchantability or fitness for a particular purpose, are limited to one year or the shortest period allowed by law.

In the United States:

This limited warranty is extended to the original purchaser and any succeeding owner for products purchased for home use within the USA. If the product is located in an area where service by a GE Appliances Authorized Servicer is not available, you may be responsible for a trip charge or you may be required to bring the product to an Authorized GE Appliances Service location for service. In Alaska, the limited warranty excludes the cost of shipping or service calls to your home.

Some states do not allow the exclusion or limitation of incidental or consequential damages. This limited warranty gives you specific legal rights, and you may also have other rights which vary from state to state. To know what your legal rights are, consult your local or state consumer affairs office or your state's Attorney General.

Warrantor: GE Appliances, a Haier Company, Louisville, KY 40225

In Canada:

This limited warranty is extended to the original purchaser and any succeeding owner for products purchased in Canada for home use within Canada. If the product is located in an area where service by a GE Appliances Authorized Servicer is not available, you may be responsible for a trip charge or you may be required to bring the product to an Authorized GE Appliances Service location.

Some provinces do not allow the exclusion or limitation of incidental or consequential damages. This limited warranty gives you specific legal rights, and you may also have other rights which vary from province to province. To know what your legal rights are, consult your local or provincial consumer affairs office.

Warrantor: MC Commercial Inc., Burlington, ON, L7R 5B6

Extended Warranties: Purchase a GE Appliances extended warranty and learn about special discounts that are available while your warranty is still in effect. You can purchase it online anytime at

GEAppliances.com/extended-warranty

or call 800.626.2224 during normal business hours. GE Appliances Service will still be there after your warranty expires.

Staple your receipt here. Proof of the original purchase date is needed to obtain service under the warranty.

Consumer Support

GE Appliances Website

Have a question or need assistance with your appliance? Try the GE Appliances Website 24 hours a day, any day of the year! You can also shop for more great GE Appliances products and take advantage of all our on-line support services designed for your convenience. In the US: **GEAppliances.com**

In Canada: **GEAppliances.ca**

Register Your Appliance

Register your new appliance on-line at your convenience! Timely product registration will allow for enhanced communication and prompt service under the terms of your warranty, should the need arise. You may also mail in the pre-printed registration card included in the packing material. In the US: **GEAppliances.com/register**

In Canada: **GEAppliances.ca/after-sales-support**

Schedule Service

Expert GE Appliances repair service is only one step away from your door. Get on-line and schedule your service at your convenience any day of the year. In the US: **GEAppliances.com/service** or call 800.432.2737 during normal business hours.

In Canada: **GEAppliances.ca/after-sales-support** or call 800.561.3344.

Extended Warranties

Purchase a GE Appliances extended warranty and learn about special discounts that are available while your warranty is still in effect. You can purchase it on-line anytime. GE Appliances Services will still be there after your warranty expires. In the US: **GEAppliances.com/extended-warranty** or call 800.626.2224 during normal business hours.

In Canada: **GEAppliances.ca/purchase-extended-warranty** or call 866.277.9842.

Remote Connectivity

For assistance with wireless network connectivity (for models with remote enable), in the US visit our website at **GEAppliances.com/connect** or call 800.220.6899.

In Canada: **GEAppliances.ca/connected-appliances** or call 800.220.6899

Parts and Accessories

Individuals qualified to service their own appliances can have parts or accessories sent directly to their homes (VISA, MasterCard and Discover cards are accepted). Order on-line today 24 hours every day.

In the US: **GEApplianceparts.com** or by phone at 877.959.8688 during normal business hours.

In Canada: **GEAppliances.ca/parts-filters-accessories** or call 800.661.1616.

Instructions contained in this manual cover procedures to be performed by any user. Other servicing generally should be referred to qualified service personnel. Caution must be exercised, since improper servicing may cause unsafe operation.

Contact Us

If you are not satisfied with the service you receive from GE Appliances, contact us on our Website with all the details including your phone number, or write to:

In the US: General Manager, Customer Relations | GE Appliances, Appliance Park | Louisville, KY 40225
GEAppliances.com/contact or call 800.626.2000

In Canada: Director, Customer Relations | MC Commercial Inc. | Suite 300, 5420 North Service Road | Burlington, ON L7L 6C7
GEAppliances.ca/contact-us or call 877.994.5366



GUIDE DU PROPRIÉTAIRE ET INSTRUCTIONS D'INSTALLATION

Ce manuel contient les instructions d'installation. Suivez ces instructions en entier.
EN SAVOIR PLUS - Cet appareil est livré avec ce guide du propriétaire condensé. Vous pouvez trouver le manuel d'utilisation complet de votre modèle en ligne en lisant le code HE ou en vous rendant sur :

<https://www.electromenagersge.ca/buanderie/laveuses>



CONSIGNES DE SÉCURITÉ IMPORTANTES LIRE TOUTES LES CONSIGNES AVANT D'UTILISER L'APPAREIL

⚠ AVERTISSEMENT

Pour réduire les risques de décès, d'incendie, d'explosion, de choc électrique ou de blessures lorsque vous utilisez votre appareil, suivez les mesures de sécurité de base, notamment :

- Lisez toutes les instructions avant d'utiliser l'appareil.
- Suivez toutes les instructions et avertissements de soin des tissus pour éviter que les vêtements fondent ou des dommages à l'appareil.
- **NE nettoyez et NE séchez PAS** d'articles qui ont été nettoyés, lavés, trempés ou tachés avec de l'essence, du solvant pour nettoyage à sec ou d'autres produits combustibles ou substances explosives, car ces derniers peuvent dégager des vapeurs qui pourraient s'enflammer ou exploser.
- **N'ajoutez PAS** de l'essence, du solvant pour nettoyage à sec ou d'autres produits combustibles ou substances explosives à l'eau de lavage. Ces substances peuvent dégager des vapeurs qui pourraient s'enflammer ou provoquer une explosion.
- Dans certaines conditions, de l'hydrogène peut se former dans un circuit d'eau chaude qui n'a pas été utilisé pendant deux semaines ou plus. L'HYDROGÈNE EST UN GAZ EXPLOSIF. Si le circuit d'eau chaude n'a pas été utilisé pendant une telle période, ouvrez tous les robinets d'eau chaude et laissez l'eau couler pendant plusieurs minutes avant d'utiliser votre laveuse. Ainsi, l'hydrogène accumulé sera évacué du système. Ce gaz étant inflammable, **NE fumez PAS** et n'utilisez pas de flamme nue pendant cette opération.
- **NE laissez PAS** les enfants jouer sur ou à l'intérieur de cet appareil. La présence d'enfants près de cet appareil lorsqu'il est en marche doit faire l'objet d'une étroite supervision. Avant de mettre la laveuse au rebut ou hors service, retirez la porte ou le couvercle. Le non-respect de ces instructions peut entraîner le décès ou des blessures.
- **NE mettez PAS** la main dans l'appareil lorsque le tambour ou l'agitateur est en mouvement pour éviter d'être happé accidentellement.
- **N'installez** ou n'entrez pas **PAS** cet appareil dans un endroit où il sera exposé aux intempéries.
- **NE modifiez PAS** les commandes, ne réparez ou ne remplacez pas de pièce de cet appareil et ne tentez pas d'effectuer une réparation, sauf si cette procédure est recommandée expressément dans les instructions d'entretien de l'utilisateur ou dans les instructions de réparation de l'utilisateur et que vous possédez les connaissances et les aptitudes requises pour le faire.
- **ABSTENEZ-VOUS** de grimper ou de vous tenir sur l'appareil.
- **N'utilisez PAS** cet appareil s'il est endommagé, s'il fonctionne mal, s'il est partiellement démonté ou si certaines de ses pièces manquent ou sont cassées (y compris le cordon d'alimentation ou la fiche).
- Débranchez l'appareil ou fermez son disjoncteur avant de procéder à l'entretien. Appuyer sur le bouton d'alimentation **Power** de l'appareil **NE** le déconnecte **PAS** de l'alimentation.
- Consultez la section sur le « EXIGENCES ÉLECTRIQUES » des instructions d'installation pour obtenir les procédures de mise à la terre.
- **N'utilisez PAS** de pièces de rechange qui n'ont pas été recommandées par le fabricant (p. ex., des pièces fabriquées à domicile à l'aide d'une imprimante 3D).

Mise au rebut adéquate de votre électroménager

- Veuillez jeter ou recycler votre électroménager conformément aux règlements fédéraux ou locaux. Communiquez avec les instances locales pour en savoir plus sur la mise au rebut ou le recyclage de votre électroménager.

LIRE ET CONSERVEZ CES DIRECTIVES

CONSIGNES DE SÉCURITÉ IMPORTANTES

LIRE TOUTES LES CONSIGNES AVANT D'UTILISER L'APPAREIL

INSTALLATION APPROPRIÉE

Cette laveuse doit être installée conformément aux instructions d'installation avant d'être utilisée.

- Assurez-vous que le boyau d'eau chaude est raccordé au robinet « H » et que le boyau d'eau froide est raccordé au robinet « C ».
- Installez ou entreposez l'appareil à un endroit où il ne sera exposé ni à des températures en dessous du point de congélation ni aux intempéries; l'appareil pourrait subir des dommages permanents et la garantie serait annulée.
- Mettez la laveuse à la terre conformément aux codes et règlements en vigueur. Suivez les instructions détaillées de la section « Instructions d'installation ».
- Veillez à ce que la laveuse soit bien de niveau et que les pieds soient correctement réglés pour que cet appareil soit stable.
- Une rallonge de tuyau d'évacuation optionnelle est recommandée pour les hauteurs d'évacuation allant de 60 à 96 po (152,4 à 243,8 cm).
- GE Appliances recommande fortement d'utiliser les pièces spécifiées du fabricant. Une liste de boyaux manufacturés disponibles pour l'achat est indiquée. Ces boyaux ont été fabriqués et testés afin de répondre aux spécifications de GE Appliances.
- GE Appliances recommande fortement d'utiliser de nouveaux boyaux d'alimentation en eau. Les boyaux se dégradent avec le temps et doivent être remplacés tous les cinq ans afin de réduire le risque de bris de boyau et de dégâts d'eau.
- Considérez les options de recyclage des matériaux d'emballage de votre électroménager.

SÉQUENCE DE VIDANGE AUTOMATIQUE

- L'appareil se vidangera automatiquement à chaque fois que la porte est laissé ouvert pour plus de 15 minutes et que de l'eau est présente.
- L'appareil se vidangera automatiquement s'il est laissé en état de pause avec porte fermé pour plus de 24 heures et que de l'eau est présente.

LORSQUE L'APPAREIL N'EST PAS UTILISÉ

- Fermez les robinets d'eau pour réduire les fuites en cas de tuyau cassé. Vérifiez l'état des tuyaux de remplissage. GE Appliances recommande de les remplacer tous les 5 ans.

PIÈCES ET ACCESSOIRES

Consultez votre annuaire local pour un détaillant de pièces autorisé ou appelez-nous au 800.661.1616 ou Electromenagersge.ca/fr/produits/filtres-et-accessoires.

No. de pièce	Accessoire
WX14X10011	Flexibles de rondelle en acier inoxydable de 6 pieds avec coudes à 90°; Paquet de 2
WH49X316	Kit d'extension de tuyau de vidange de laveuse - Environ 44 po
WX10X10011	Nettoyant pour laveuse Tide®*
PM7X2	Plateau de plancher universel pour laveuse à profil bas
GFA28KITN	Trousse de support d'empilement (pour empiler la sècheuse sur le dessus)
GFP1528S	Piédestal de 28 po de largeur avec tiroir - Blanc
GFP1528P	Piédestal de 28 po de largeur avec tiroir - Couleurs
GFR0728S	Élévateur de 28 po largeur sans tiroir - Blanc
GFR0728P	Élévateur de 28 po largeur sans tiroir - Couleurs

*Tide® est une marque déposée de Procter & Gamble.

LIRE ET CONSERVEZ CES DIRECTIVES

Utilisation de la laveuse

⚠ AVERTISSEMENT Pour réduire le risque d'incendie, de choc électrique ou de blessure, lisez les **CONSIGNES DE SÉCURITÉ IMPORTANTES** avant de faire fonctionner cet appareil.

Les caractéristiques et l'apparence de la cuisinière montrée dans ce manuel peuvent varier selon le modèle.

Démarrage rapide :

Étape 1

Chargez les vêtements dans votre laveuse et fermez la porte.



Étape 2

Si l'écran est obscur, appuyez sur le bouton Power (alimentation) ou tournez le bouton pour activer l'afficheur.



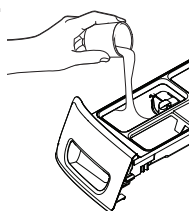
Étape 3

Tournez le bouton sur le cycle désiré. (Les options de cycle varient selon le modèle)



Étape 4

Ouvrez le distributeur et ajoutez le détergent, le javellisant et le produit assouplissant, au besoin. Avec les modèles avec SmartDispense™, vous devez presser la touche SmartDispense seulement après que le réservoir a été rempli.



Étape 5

Appuyez sur Start (Démarrer) pour commencer le cycle de lavage. L'appareil va peser vos vêtements et ajouter la quantité d'eau appropriée. La porte se déverrouille une fois le cycle de lavage terminé.



Étape 6 (sur certains modèles)

Une fois le cycle de lavage terminé et les vêtements retirés, sélectionnez ULTRAFRESH VENT™ pour éliminer l'humidité excédentaire dans votre laveuse de façon que vous puissiez fermer la porte.



Affichage et voyants d'état

(Las características y apariencia variarán)



Sur certains modèles, l'écran affiche le temps approximatif restant avant la fin du programme l'état du cycle.

REMARQUE : La durée du cycle varie selon la durée du remplissage de la laveuse. La vitesse de remplissage dépend à son tour de la pression d'eau à votre domicile. La minuterie « intelligente » tient compte du temps de remplissage et ajuste la durée totale du cycle en conséquence.

Sur certains modèles, si une condition de déséquilibre est détectée par la laveuse, le voyant **Spin** d'état de l'essorage ou le voyant **Spin** de sélection de l'option d'essorage clignotera pendant le restant du cycle et restera allumé pendant une courte période de temps une fois le cycle terminé. Lorsque cela se produit, la laveuse prend des mesures pour corriger la condition de déséquilibre et terminer le cycle normalement. Dans certains cas, il est possible que la laveuse ne puisse pas être en mesure d'équilibrer la charge et essorer à pleine vitesse. Si vous remarquez que la charge est plus humide que normalement à la fin du cycle, répartissez la charge uniformément dans le panier de lavage et commencez un cycle **Rinse & Spin** (Rinçage & Essorage).

De plus, cet écran affiche :

(WiFi) (sur certains modèles)	Ce module permettra à votre électroménager de communiquer avec votre téléphone intelligent pour la surveillance, la commande et la réception d'avis à distance. Son voyant reste allumé chaque fois que la laveuse est sous tension (ON) et connectée. Il clignote durant la mise en service ou s'il perd la connexion au réseau.
Venting (sur certains modèles)	Le mot « Venting » (Ventilation) clignote pour indiquer que vous avez choisi la fonction ULTRAFRESH VENT à la fin du cycle. Une fois sélectionné, il reste allumé jusqu'à la fin de la ventilation.
Control	Les commandes sur la laveuse sont verrouillées lorsque cette icône est allumée. Vous devez maintenir une pression sur la touche Control Lock (Verrouillage des commandes) pour déverrouiller les commandes.
Door	Cette icône s'allume quand la porte est verrouillée et clignote quand la laveuse est à l'étape de pause suivie du déverrouillage.
(sur certains modèles)	Cette icône s'allumera lorsque les caractéristiques Smart AI de votre laveuse sont activées.
Auto, More, Less (sur certains modèles)	La fonction SmartDispense dose automatiquement le détergent en fonction du poids et du degré de saleté des vêtements. Vous pouvez régler cette fonction pour doser PLUS ou MOINS de détergent, ou désactivez-la (OFF) pour doser le détergent manuellement.
Tank Low (sur certains modèles)	Au démarrage, l'appareil affiche le nombre estimé de charges de lavage restantes pour la quantité de détergent dans le réservoir SmartDispense. Généralement, ces mots s'affichent la première fois lorsqu'il reste du détergent pour environ 8 à 10 brassées.
Loads Left (sur certains modèles)	Affiche le nombre estimatif de brassées de lavage qui restent pour la quantité de détergent dans le réservoir de distribution intelligente.
Delay (sur certains modèles)	Lorsque vous sélectionnez un démarrage différé de votre laveuse, votre choix sera indiqué par l'un des voyants près du contrôle ou par le mot « Delay » (délai) au centre de l'afficheur d'options. Cet afficheur indiquera aussi le compte à rebours des heures avant le démarrage du cycle.

Utilisation de la laveuse

A Power (alimentation)

Appuyez pour activer l'affichage. Si l'affichage est actif, appuyez pour mettre la laveuse en mode d'attente « Off ».

NOTE : Vous ne débranchez pas votre appareil de l'alimentation électrique en appuyant sur **Power (alimentation)**.

B Start/Pause (Départ/Pause)

Appuyez pour mettre en marche un cycle de lavage. Si la laveuse fonctionne, vous l'arrêtez en appuyant une fois et déverrouillez la porte. Après avoir appuyer sur **Pause (Pause)**, il s'écoulera quelques secondes avant que la porte ne s'ouvre. Appuyez à nouveau pour remettre en marche le cycle de lavage.

NOTE : En arrêtant la laveuse et en ne remettant pas en marche le cycle dans les 15 minutes qui suivent, vous annulez le cycle de lavage actuel.

NOTE : La laveuse procède à des vérifications automatiques du système une fois que vous avez appuyé sur le bouton **Start (Départ)**. L'eau se mettra à couler dans un délai de 45 secondes ou moins. Vous entendrez peut-être la porte se verrouiller et se déverrouiller et la pompe active avant que l'eau ne coule.

C Cycles de lavage

Les cycles sont optimisés pour des catégories particulières de charges. Le tableau ci-dessous vous aidera à apparier les articles à laver avec les meilleurs réglages des cycles. Pour un rendement optimal, sélectionnez le cycle qui s'approche le plus des articles à laver. **Delay Start/Remote Start** est disponible pour tous les cycles.

Cycle	Articles Recommandés
Normal	Effectuer un cycle pour une utilisation normale, régulière ou typique pour laver jusqu'à une pleine brassée de vêtements en coton normalement salis.
Delicates (Déliçats)	Pour la lingerie et les tissus délicats avec degré de saleté léger à normal.
Towels (Serviettes)	Serviettes, draps, taies d'oreiller et lavettes.
Bulky Bedding (Literie volumineuse)	Couettes, grands manteaux, couvre-lits, couvre-matelas, sacs de couchage et articles volumineux similaires.
Sanitize+ Allergen* (Désinfection + allergènes)	Articles grand teint très sales qui nécessitent une désinfection.
Sanitize with Oxi* (Désinfection Oxi)	Articles grand teint très sales qui nécessitent une désinfection.
Active Wear (Tenue active)	Tenue athlétique légèrement à moyennement sale fabriquée de tissus techniques ou synthétiques.
Quick Cycle (Cycle rapide)	Pour les petites brassées d'articles légèrement sales dont on a besoin rapidement.
Whites (Blancs)	Vêtements blancs et linge de maison.
Rinse & Spin (Rinçage et Essorage)	Pour les articles qui doivent uniquement être rincés et non lavés. Rinse & Spin (Rinçage et Essorage) ou Drain & Spin (Drainage et Essorage) (Extra Rinse (Rinçage supplémentaire) désélectionné). Un essorage est toujours effectué sauf si vous sélectionnez No Spin (Pas d'essorage).
Cold Wash (Lavage à froid)	Effectuez un cycle pour une utilisation normale, régulière ou typique pour laver jusqu'à une pleine brassée de vêtements en coton normalement salis en utilisant uniquement de l'eau froide, tout en bénéficiant d'une performance équivalente au lavage à l'eau chaude normal.
Downloaded	Utilisez l'application SmartHQ pour téléverser un cycle spécialisé pour votre laveuse.
Power Clean (Nettoyage puissant)	Pour les articles très sales qui nécessitent une puissance de nettoyage supplémentaire.
Heavy Duty* (À toute épreuve)	Pour laver des articles très sales ou de grand-teint en utilisant les longs cycles de lavage et de rinçage pour obtenir un nettoyage en profondeur.
Jeans	Jeans légèrement à moyennement sales.
Swim Wear (Vêtements de bain)	Vêtements de bain légèrement à moyennement sales.
Self Clean (Autonettoyage)	Nettoyage du panier pour éliminer les résidus et les odeurs. Aucun vêtement à laver avec ce cycle.

*Certains cycles et options ne sont pas offerts sur tous les modèles.

REMARQUES :

Les températures d'eau du cycle **SANITIZE + Allergen** (Désinfecter + Allergène) NE SONT PAS modifiables. Ce cycle utilise une température élevée et un cycle de lavage plus long pour éliminer les acariens des poussières et réduit 99 % des bactéries communes des tissus. Une purge de la pompe et un rinçage prolongé sont intégrés dans le but de retirer les contaminants et les allergènes tels que les squames d'animaux.

Les températures d'eau du cycle **SANITIZE With Oxi** (Désinfecter avec Oxi) NE SONT PAS modifiables. Ce cycle, utilisé avec un additif Oxi et du détergent, est conçu pour éliminer 99 % des bactéries présentes dans la blanchisserie domestique. Mesurez le détergent et les produits Oxi avec soin. Tout en utilisant les quantités appropriées pour une grande brassée très sale chargée dans une laveuse à chargement frontal, suivez les instructions des étiquettes du détergent et du produit Oxi. L'alimentation d'eau chaude de la laveuse doit atteindre un minimum de 120 °F pour assurer l'efficacité de ce cycle. Seuls les cycles **SANITIZE + Allergen** et **SANITIZE With Oxi** ont été conçus pour répondre aux exigences relatives à l'efficacité de la désinfection.

Utilisation de la laveuse

Cycles de lavage - Suite

Les cycles sont optimisés pour des catégories particulières de charges. Le tableau ci-dessous vous aidera à appairer les articles à laver avec les meilleurs réglages des cycles. Pour un rendement optimal, sélectionnez le cycle qui s'approche le plus des articles à laver. **Delay Start/Remote Start** est disponible pour tous les cycles.

Paramètres de lavage	Cycles de lavage														
	Normal	Delicates (Déliçats)	Towels (Serviettes)	Bulky Bedding (Lingerie volumineuse)	Active Wear (Tenue active)	Quick Cycle (Cycle rapide)	Whites (Blancs)	Rinse & Spin (Rinçage & Essorage)	Cold Wash (Lavage à froid)	Heavy Duty* (À toute épreuve)	Jeans*	Swim Wear* (Maillots de bain)	Sanitize with Oxi* (Désinfection Oxi)	Sanitize+ Allergen* (Désinfection + allergènes)	Power Clean (Nettoyage puissant)
Niveau de saleté															
Extra Heavy (Vraiment sale)	•		•	•	•		•		•	•	•	•	•	•	•
Heavy (Sale)	•		•	•	•		•		•	•	•	•	•	•	•
Normal (Normal)	•	•	•	•	•	•	•	•	•	•	•	•			•
Light (Peu sale)	•	•	•	•	•	•	•		•	•	•				
Extra Light (Très peu sale)	•	•	•	•	•	•	•		•		•				
Température de lavage															
Extra Hot (Très chaude)	•						•					•	•	•	•
Hot (Chaude)	•	•	•	•			•		•		•			•	•
Warm (Tiède)	•	•	•	•	•	•	•		•	•	•				•
Cold (Froide)	•	•	•	•	•	•	•	•	•	•	•				•
Tap Cold (Froide du robinet)	•	•	•	•	•	•	•	•	•	•	•				•
Sélection d'essorage															
Max	•		•	•		•	•	•	•	•	•		•	•	•
High (Rapide)	•		•	•		•	•	•	•	•	•		•	•	•
Medium (Modéré)	•	•	•	•	•	•	•	•	•	•	•	•	•	•	•
Low (Lent)		•	•	•	•	•	•	•			•	•	•	•	•
No Spin (Pas d'essorage)		•			•			•			•				
Options de lavage															
Power Steam* (Vapeur puissante)	•		•	•			•				•	•		•	•
Prewash* (Prélavage) o Auto Soak* (Trempe automatique)	•	•	•	•	•		•		•	•	•		•	•	•
Time Saver (Sauve-temps)	•	•	•	•	•		•								
More Water (Plus d'eau)	o	•	•	•	•	•	•	•	•	•	•				
Extra Rinse (Rinçage supplémentaire)	•	•	•	•	•	•	•	•	•	•	•		•	•	•
Tumble Care* (Culbutage antfroissage)	•	•	•	•	•	•	•	•	•				•	•	•
1 Step Wash + Dry (Lavage et séchage en 1 étape)	•	•	•	•	•	•	•	•						•	•

*Ce cycle est destiné uniquement au nettoyage périodique du laveuse. Voir la section Self Clean (Auto-nettoyage) pour plus d'informations

• Réglage disponible

Réglage par défaut en usine

* Disponible à partir des cycles Downloaded (Téléchargés).

o Offert avec le cycle **WASH + DRY** (Lavage et séchage), mais pas avec le cycle **WASH** (Lavage) seulement.

Utilisation de la laveuse

D Settings (Réglages)

On peut choisir des réglages précis allant du minimum au maximum pour le degré de saleté (**Level**), la température de l'eau (**Temp**) et la vitesse d'essorage (**Spin**). En général, la consommation d'énergie augmentera avec la hauteur dans la colonne.

Soil (Saleté)

En changeant le **Soil level** (niveau de saleté), vous augmentez ou diminuez la durée de lavage pour enlever divers montants de saleté.

Pour changer le **Soil level** (niveau de saleté), appuyez sur le bouton **Soil level** (niveau de saleté) jusqu'au réglage désiré. Vous pouvez choisir entre Extra Light (très peu sale), Light (peu sale), Normal (normal) ou Heavy Soil (vraiment sale) sur la plupart des cycles.

Temp (Température)

Ajustez pour choisir la bonne température de l'eau pour le cycle de lavage. L'eau de **AutoSoak** (Remojo Automático) et **PreWash** (Prélavage) de rinçage est toujours froide pour réduire l'utilisation d'énergie et diminuer la fixation des taches et les froissements.

Suivez l'étiquette du fabricant pour choisir la température de lavage.

Pour changer la température de lavage, appuyez sur le bouton **Temp** (Température) jusqu'au réglage désiré. Vous pouvez choisir entre Tap Cold (Froide du robinet), Cold (Froide), Warm (Tiède), Hot (Chaude) ou Extra Hot (Très chaude) sur la plupart des cycles. Pour protéger les tissus, certains cycles ne donnent pas accès à toutes les températures de lavage. Les températures très chaudes sont possibles grâce à un élément chauffant interne sur les modèles équipés de la fonction Steam (Vapeur).

NOTE : Pendant les dix premières secondes du remplissage, l'eau est toujours froide. Cela aide à conditionner les tissus et empêche la fixation des taches sur les vêtements.

Spin (Essorage)

En changeant la **Spin** (Vitesse d'essorage), vous changez la vitesse de l'essorage final des cycles. Suivez toujours les instructions de l'étiquette du vêtement pour changer la **Spin** (Vitesse d'essorage).

Pour changer la **Spin** (Vitesse d'essorage), appuyez sur le bouton **Spin** (Vitesse d'essorage) jusqu'au réglage désiré. Vous pouvez choisir entre No Spin (Pas d'essorage), Low (Lent), Medium (Modéré), High (Rapide) ou Max. Les vitesses d'essorage les plus rapides ne sont pas offertes pour certains cycles, comme le cycle **Delicates** (Déliçats) ou **Active Wear** (Tenue active). Les vitesses d'essorage plus rapides enlèvent plus d'eau des vêtements, et aident à réduire le temps de séchage, mais augmentent également la possibilité de froisser certains tissus.

REMARQUE : Cette laveuse est équipée d'un système **dBt™ Dynamic Balancing Technology** (dBt™ Technologie d'équilibrage dynamique). Cette technologie de détection embarquée et brevetée procure un équilibrage en temps réel du cycle d'essorage pour chaque brassée, d'où une économie de temps et un lavage silencieux. Il devrait en résulter des durées de lavage plus constantes et une réduction générale du bruit et des vibrations. Si la laveuse devait générer des bruits, des vibrations ou des secousses excessives, il suffit de mettre la laveuse sur Pause, d'ouvrir la porte et de redistribuer la brassée manuellement avant de redémarrer le cycle.

E Options

SMARTDISPENSE (Distribution intelligente) (sur certains modèles)

Cette fonction ajoute automatiquement du détergent au lavage, éliminant le besoin de l'ajouter pour chaque brassée. Voir la section **SmartDispense** pour plus de détails.

My Settings (Favori) (sur certains modèles)

Pour sauvegarder vos réglages préférés pour un cycle donné, réglez les options souhaitées pour la saleté (Soil), l'essorage (Spin) et les degrés de température (Temp), l'essorage additionnel (Extra Spin) et les autres réglages. Maintenez la touche « **My Settings** » (Favoris) enfoncée pendant 3 secondes. Un signal sonore se fera entendre pour vous indiquer que les choix de ce cycle ont été sauvegardés. Vous pouvez choisir « **My Settings** » (Favoris) pour d'autres cycles.

POWER STEAM (Vapeur puissante) (sur certains modèles)

L'option **Power Steam** ajoute de la vapeur dans la laveuse avant le début du cycle de lavage pour contribuer à assouplir les taches pour les cycles **NORMAL**, **WHITES**, **TOWELS**, **BULKY Bedding**, **SANITIZE+Allergen** et **POWER CLEAN**. Mode d'emploi :

1. Pressez la touche **Power** (Alimentation) pour « réveiller » la laveuse et sélectionner un cycle de lavage.
2. Pressez la touche **POWER STEAM** (Vapeur puissante) pour activer la vapeur.
3. Pressez la touche **Start/Pause** (Départ/Pause).

WiFi (peut être une touche partagée avec d'autres options)

Maintenez une pression sur la touche **WiFi**, **POWER STEAM/WiFi*** ou **Time Save/WiFi*** (selon le modèle) durant 3 secondes pour activer. Voyez la section sur la **Wi-Fi Connect** pour savoir comment établir une connexion Wi-Fi.

E Options - Suite

Delay Wash (Laver retardée)/Remote Start (Démarrage à distance)

Vous pouvez différer le démarrage d'un cycle de lavage de jusqu'à 24 heures ou démarrer la laveuse à distance en utilisant la fonction **Delay Wash/Remote Start** (Lavage différé/Démarrage différé). Appuyez sur cette touche pour augmenter par unités de 1 heure ou maintenez-la enfoncée pour faire défiler la durée du délai précédant le démarrage du cycle de lavage. Si vous avez connecté votre laveuse au réseau Wi-Fi, la première sélection, « AP », peut être choisie pour activer le démarrage à distance de votre laveuse depuis l'application GE Appliance Smartphone. Ou, si vous réglez un délai en nombre d'heures, l'appareil exécutera un décompte et démarrera automatiquement après cette période. Une fois le réglage du **Delay Wash** (Lavage différé) terminé, appuyez sur la touche **Start** pour activer cette fonction. Pour annuler cette option, éteignez puis rallumez simplement les commandes. **NOTE** : Si vous oubliez de fermer complètement la porte, un signal sonore de rappel se fait entendre pour vous rappeler de le faire.

NOTE : Si vous ouvrez la porte pendant que la machine compte à rebours le temps qui reste avant la mise en marche, la machine fait une pause. Vous devez refermer la porte et appuyer à nouveau sur le bouton **Start** (Départ) pour recommencer le compte à rebours.

Time Saver (Sauve-temps) (sur certains modèles)

Cette option réduit le temps total du cycle en optimisant le lavage, le rinçage et le culbute et / ou en augmentant doucement la température de lavage pour obtenir des vêtements nettoyés plus rapidement. Cette option est disponible dans les cycles **NORMAL** (Normal), **WHITES** (Blancs), **TOWELS** (Serviettes), **DELICATES** (Déliçats), **BULKY Bedding** (Articles volumineux) et **ACTIVE WEAR** (Tenue active). Le temps de lavage total variera en fonction du cycle choisi et les options sélectionnées. **Utilisation** :

1. Mettez la laveuse en marche et sélectionnez le cycle de lavage offrant l'option **Time Saver** (Sauve-temps).
2. Appuyez sur le bouton **Time Saver** (Sauve-temps) pour réduire la durée générale du lavage.
3. Appuyez sur le bouton **Start/Pause** (Mise en marche/Pause).

More Water (Plus d'eau) (sur certains modèles)

Cette option ajoute environ 3 gallons (11 L) aux étapes de lavage et de rinçage du cycle. Si vous sélectionnez l'option avant le démarrage du cycle, l'eau sera ajoutée à partir du début du cycle et plus tard au rinçage. Si vous sélectionnez l'option pendant l'étape du lavage, plus d'eau sera ajoutée à partir de ce moment et plus tard au rinçage. D'une façon similaire, si l'option **More Water** (Plus d'eau) est sélectionnée une fois l'étape du lavage terminée, la laveuse ajoutera plus d'eau pour le rinçage seulement. Si le lavage et le rinçage sont terminés, la touche **More Water** (Plus d'eau) ne sera plus active.

ULTRAFRESH VENT System with ODORBLOCK™ (Ventilation Ultrafresh Système avec ODORBLOCK™) (sur les modèles GE Appliances et Profile uniquement)

Le système ULTRAFRESH VENT avec OdorBlock a été conçu pour éliminer l'excès d'humidité dans la laveuse suivant le cycle de lavage afin de prévenir le développement des odeurs. Cette laveuse a été conçue pour évacuer l'eau plus efficacement à la fin du cycle. Après le cycle de lavage, l'utilisateur peut alors choisir de laisser la porte ouverte ou sélectionner la fonction ULTRAFRESH VENT pour contribuer au séchage du joint d'étanchéité et d'autres zones de la laveuse. Le système OdorBlock comporte plusieurs composants fabriqués au moyen de la technologie antimicrobienne Microban®.* Microban est une technologie antimicrobienne sûre et efficace qui accompagnera votre laveuse durant toute sa durée de vie. Pour plus de renseignements, veuillez visiter www.microban.com/geappliances.

La fonction ULTRAFRESH VENT est disponible après le cycle de lavage et le retrait de la brassée propre. Une fois la porte fermée, une mélodie jouera pour vous aviser et le voyant de la touche **ULTRAFRESH VENT** clignotera. ULTRAFRESH VENT démarrera dès la touche appuyée.

Pour sélectionner ULTRAFRESH VENT à tout autre moment, mettez la laveuse sous tension (ON), assurez-vous qu'aucun cycle n'est actif, retirez tout vêtement du panier, puis pressez et relâchez la touche **ULTRAFRESH VENT** de façon à entendre la mélodie d'avis et voir le voyant de la touche **ULTRAFRESH VENT** clignoter. Ensuite, appuyez de nouveau sur la touche **ULTRAFRESH VENT** pour démarrer la fonction.



Durant le fonctionnement de la fonction ULTRAFRESH VENT, la porte demeurera fermée et la laveuse va essorer par intermittence à basse vitesse durant jusqu'à 8 heures. Les modèles Profile utilisent un capteur pour déterminer la fin du cycle.

Si des vêtements sont détectés dans le panier pendant la ventilation ULTRAFRESH, la laveuse va plutôt passer en **TUMBLE CARE** (Culbutage antifroissage) ou **1 STEP WASH + DRY** (Lavage et séchage en 1 étape), selon la disponibilité des options sur votre modèle.

On peut annuler la fonction ULTRAFRESH VENT à tout moment de trois façons : presser la touche **POWER** (Alimentation), tourner le cadran des cycles ou presser la touche **ULTRAFRESH VENT**.

Activation de l'application SmarthQ

Plusieurs options de votre laveuse sont activées par Wi-Fi à l'aide de l'application SmarthQ. Non seulement cette application vous permet de recevoir des mises à niveau et des mises à jour en direct du logiciel de votre laveuse, mais elle débloque des fonctions spéciales pour votre laveuse. Parmi ces caractéristiques, vous pourrez trouver **Adaptive SmartDispense** (distribution intelligente adaptative), **Adaptive My Settings** (Favoris adaptatifs) et Stain Removal Guide (guide de traitement des taches).

*Microban® est une marque déposée de Microban International, Ltd.

Utilisation de la laveuse

E Options - Suite

1 STEP WASH + DRY (Lavage + séchage en 1 étape) (sur certains modèles)

Cette option est disponible sur tous les cycles sauf **Self Clean** (Auto nettoyant).

La fonction **1 STEP WASH + DRY** est destinée aux petites brassées seulement. Utilisez-la lorsque les vêtements doivent être lavés, séchés et prêts à porter ou rangés le lendemain matin. Cette fonction culbute les vêtements et introduit un écoulement d'air constant dans la cuve de la laveuse à la fin des cycles de lavage sélectionnés. Même si l'étape du séchage est réglée pour 8 heures, les vêtements peuvent être retirés à tout moment en appuyant sur **Pause** ou **Power** pour annuler le cycle.

Tumble Care (Nettoyage par culbute) (sur certains modèles)

Les vêtements sont culbutés périodiquement pendant près de 8 heures après la fin du cycle de lavage pour assouplir les plis et faux-plies si vous ne pouvez pas mettre immédiatement les vêtements dans la sècheuse.

À la fin du cycle, l'afficheur indiquera « END » (fin du cycle) puis le cycle de **Tumble Care** (Nettoyage par culbute) commencera après 10 minutes. Vous pouvez arrêter le culbutage en appuyant sur le bouton **Power** (mise en marche) à n'importe quel moment.

PreWash (Pré-lavage) (sur certains modèles)

Prélavage est un lavage supplémentaire avant le lavage principal. Utilisez-le pour les vêtements très sales ou pour les vêtements dont l'étiquette recommande un pré-lavage avant le lavage. Assurez-vous d'ajouter du détergent liquide ou en poudre à rendement élevé ou le bon additif de lavage au distributeur de pré-lavage. Les laveuses dotées de la **SmartDispense** (distribution intelligente) vont automatiquement ajouter la quantité appropriée de détergent pour le pré-lavage en fonction de la taille de la brassée.

PreWash (Pré-lavage) doit être sélectionné avant d'appuyer sur **Start** (Marche).

La fonction de **PreWash** (Pré-lavage) déclenche les étapes suivantes : remplissage de la laveuse (ajout du détergent de pré-lavage), culbutage des vêtements, évacuation et essorage. Ensuite, la laveuse exécute le cycle de lavage sélectionné.

NOTE : Pour certains cycles spéciaux, le pré-lavage est présélectionné par défaut. Vous pouvez annuler ce choix en tout temps. Le cycle de lavage principal utilisera le détergent provenant du compartiment manuel de détergent et du réservoir **SmartDispense** (Distribution intelligente) (sur certains modèles).

Auto Soak (Trempeage automatique) (sur certains modèles)

Pour tremper vos vêtements avant le cycle de lavage. Cette option débute par un bref culbutage suivi d'un trempage d'une durée déterminée dans une solution d'eau et de détergent. Une fois l'opération terminée, le cycle se poursuivra automatiquement. Il faut sélectionner **AutoSoak** avant de presser la touche **Start**. Le **AutoSoak** ajoute 15 minutes, 30 minutes, 1 heure ou 2 heures supplémentaires au temps de lavage total. Un détergent haute efficacité dans le compartiment principal du distributeur est utilisé durant l'étape **AutoSoak** et le cycle de lavage principal.

Extra Rinse (Rinçage supplémentaire)

Cette option procure un rinçage supplémentaire durant un cycle afin d'éliminer la saleté excédentaire et le détergent des brassées sales. Appuyez sur le bouton **Extra Rinse** (Rinçage supplémentaire) pour le sélectionner.

REMARQUE : Sur le cycle **RINSE & SPIN** (Rinçage et Essorage), un cycle **vidange et essorage** peut être obtenu en appuyant sur le bouton **Extra Rinse** (Rinçage supplémentaire) jusqu'à ce que le LED ne soit pas éclairé.

Light (Voyant de Panier) (sur certains modèles)

Le voyant de panier s'allume et reste allumé pendant 5 minutes lorsque la porte s'ouvre, que le bouton **Start/Pause** (Départ/Pause) est appuyé ou en appuyant sur le bouton de **Light** (Voyant) appuyé pendant. Le voyant de panier peut être éteint en appuyant sur le bouton de **Light** (Voyant).

Add Garment (Ajout de vêtement) (sur certains modèles)

Si vous devez ajouter un vêtement une fois le cycle commencé, appuyez sur la touche **Add Garment** pour déverrouiller la porte et vous permettre d'ajouter des vêtements. La caractéristique d'ajout de vêtement n'est disponible que si la DEL de la touche est allumée. Après un certain temps pendant le cycle, la DEL ne sera pas allumée et vous ne pourrez plus ajouter de vêtements.

Sound (Volume sonore)

Pour modifier l'intensité sonore du signal de fin de cycle et le volume du pavé tactile, appuyez sur ce bouton autant de fois nécessaires afin d'atteindre l'intensité sonore désirée. Sur certains modèles, il y a quatre niveaux sonores incluant la sourdine, d'autres modèles ont Alumé/Éteint (Off/On) avec la fonction appuyer et maintenir.

Control Lock (Light-Control Lock pad)/Verrouillage de contrôle (Voyant-Verrouillage de contrôle bouton) (selon modèle)

Vous pouvez verrouiller les contrôles pour empêcher tout choix de cycle, ou vous pouvez verrouiller les contrôles après avoir commencé un cycle.

Les enfants ne peuvent pas mettre accidentellement en marche la laveuse en appuyant sur des touches quand vous choisissez cette option.

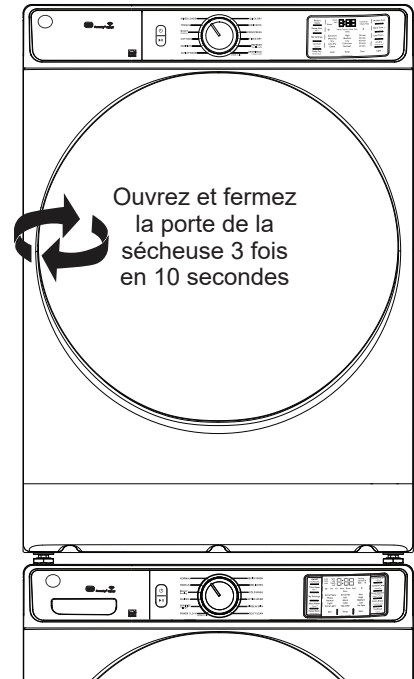
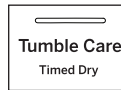
Pour verrouiller/déverrouiller les contrôles de la laveuse, appuyez sur le bouton **Control Lock/(Light-Control Lock pad)/Verrouillage de contrôle (Voyant-Verrouillage de contrôle bouton)** et tenez-la appuyée pendant 3 secondes. Un son retentit pour indiquer l'état verrouillé/déverrouillé. L'icône de contrôle de verrouillage de l'affichage s'allume quand il est branché.

NOTE : Vous pouvez encore utiliser le bouton **Power** (Alimentation) quand la machine est verrouillée.

Utilisation de la laveuse

Contrôle de la sècheuse – Appairage Bluetooth® (certains modèles)

1. Allumez la **laveuse** et la **sècheuse** mais ne démarrez aucun cycle.
2. Appuyez et maintenez enfoncé le bouton **Tumble Care** de la **laveuse** pendant 5 secondes jusqu'à ce que le voyant Bluetooth® (📶) commence à clignoter et que vous entendiez un signal sonore.
3. Ouvrez et fermez la porte de la **sècheuse** 3 fois en 10 secondes pour la rendre détectable par la laveuse."
4. La laveuse tentera de découvrir la sècheuse, l'icône Bluetooth® clignotera et les deux affichages clignoteront « - - - ».
5. L'icône Bluetooth® de la laveuse doit s'allumer sans clignoter, ce qui signifie que les machines sont maintenant appairées. Les écrans de la laveuse afficheront "**bt**" pendant 3 secondes.
6. Si les unités Bluetooth® ne s'appairent pas, répétez les étapes 1 à 5.
7. Pour désappairer les machines, appuyez simplement sur le bouton **Tumble Care** et maintenez-le enfoncé pendant 10 secondes ou ouvrez et fermez la porte de la **sècheuse** 3 fois en 10 secondes.



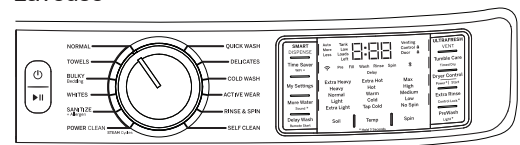
Scannez pour obtenir des instructions

Comment utiliser la fonction de contrôle Dryer Control de la sècheuse (certains modèles)

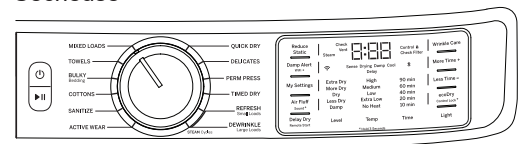
1. Allumez la **laveuse**.
2. Appuyez et maintenez le bouton de **Dryer Control** (Contrôle de la sècheuse) sur la **laveuse** pendant 3 secondes pour allumer la **sècheuse**.
3. La sélection de cycle de la **sècheuse** clignotera pour afficher le cycle automatique recommandé qui s'apparie au dernier cycle de la laveuse terminé lorsque l'affichage de la **laveuse** indique « **drY** ».
4. Pour utiliser ce cycle, appuyez sur le bouton de commande **Dryer Control** pour démarrer la **sècheuse**. La **sècheuse** peut être mise en pause en ouvrant sa porte ou en appuyant sur le bouton de commande **Dryer Control**. Pour redémarrer la **sècheuse** avec sa porte fermée, il suffit d'appuyer à nouveau sur le bouton **Dryer Control**.
5. Pour sélectionner **Timed Dry** au lieu du cycle de séchage automatique, appuyez simplement sur le bouton **Timed Dry** de la **laveuse** pendant que l'écran affiche « **drY** ». Des pressions successives sur ce bouton feront défiler les durées de séchage minuté prédéfinies (la valeur par défaut est de 40 minutes).
6. Une fois que vous avez sélectionné la durée du cycle **Timed Dry**, appuyez sur **Dryer Control** dans les 10 secondes pour démarrer la sècheuse.



Laveuse



Sècheuse



REMARQUE : Le panneau de commande de votre **sècheuse** est entièrement fonctionnel même lorsque vous utilisez la commande de sècheuse via la **laveuse**.

La mise hors tension de la **laveuse** n'éteindra pas la **sècheuse** lorsqu'un cycle de séchage est en cours.

Utilisation de la laveuse

Tiroir distributeur

Ouvrez lentement le tiroir distributeur en le tirant jusqu'à son arrêt final. Après avoir ajouté vos produits de lavage, fermez lentement le tiroir distributeur. Si vous fermez le tiroir trop vite, vous risquez de distribuer l'eau de Javel, l'adoucissant ou le détergent trop tôt.

Vous pouvez voir de l'eau dans les compartiments d'eau de détergent, javel et d'adoucissant à la fin du cycle. C'est occasionné par l'action de vidange/siphonnage et cela fait partie du fonctionnement normal de la laveuse.

Ne mettez PAS de sachets de détergent dans le tiroir distributeur.

REMARQUE : Utilisez seulement des détergents liquides ou en poudre haute efficacité dans le tiroir distributeur. Les sachets de détergents doivent être ajoutés directement dans la cuve de lavage, conformément aux directives du fabricant.



Utilisez seulement le détergent à haute efficacité HE.



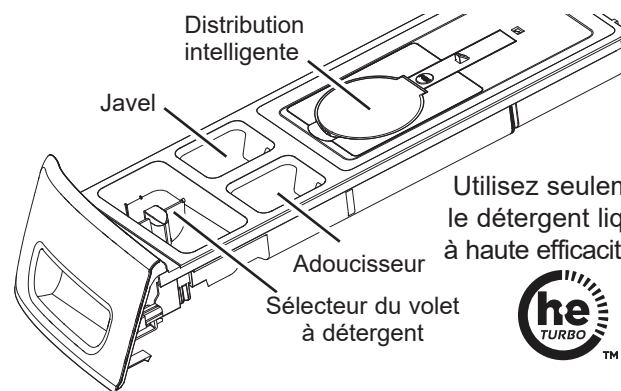
SmartDispense™ (certains modèles)

Cette fonction ajoute automatiquement du détergent au lavage, éliminant le besoin de l'ajouter pour chaque brassée.

La sélection de la quantité de détergent sur le panneau de commande s'affiche à **AUTO** (automatique) par défaut lors de la première mise sous tension de la laveuse. Lorsque **AUTO** est sélectionné, la quantité de détergent nécessaire pour chaque brassée est automatiquement déterminée en fonction de la charge détectée par l'appareil.

Avec **AUTO**, la laveuse va distribuer environ 1,5 oz (44 ml) de détergent pour une brassée normale de 8 lb (3,6 kg). Pour les autres brassées, la quantité sera ajustée en proportion de la taille de la brassée ou du type de vêtement. Si vous sélectionnez **LESS** (Moins), la quantité de détergent sera réduite de 40 %. Ceci peut être souhaitable avec des détergents à haute concentration ou si l'eau domestique est très douce. Pour les brassées très sales, on peut souhaiter de choisir **MORE** (Plus) pour ajouter 40 % plus de détergent que ne le procure **AUTO**. Vous pouvez choisir la marque ou la sorte de détergent par l'application SmartHQ pour que la laveuse puisse faire les ajustements selon les recommandations de fabricants de détergent.

REMARQUE : La **SmartDispense** (Distribution intelligente) n'est pas disponible pour tous les cycles. Si le voyant ne s'allume pas et qu'une pression sur SMART DISPENSE provoque l'émission de bips, alors la fonction Smart Dispense n'est pas permise pour le cycle choisi. Pour ces cycles, le détergent devra être ajouté directement dans son compartiment.



Utilisez seulement le détergent liquide à haute efficacité HE



Si l'on désire ajouter manuellement du détergent pour une brassée particulière :

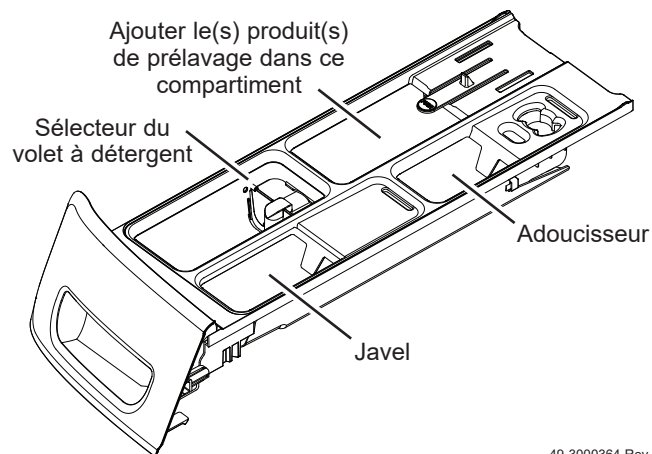
1. Appuyez sur la touche **SMART DISPENSE** (Distribution intelligente) sur le panneau de commande jusqu'à ce que son voyant s'éteigne, ce qui indique que cette fonction est désactivée.
2. Placez le volet du compartiment à détergent dans la position du type de détergent à utiliser, Powder (Poudre) ou Liquid (Liquide). Voyez la section Compartiment de détergent.
3. Ajoutez la quantité de détergent désirée dans le compartiment de détergent.

Si l'afficheur indique que le réservoir SmartDispense (Distribution intelligente) estime qu'il n'y a pas assez de détergent pour laver une charge, le voyant SmartDispense clignotera. La laveuse peut encore exécuter un cycle, mais il est suggéré d'ajouter du détergent dans le compartiment à détergent manuel ou de remplir le réservoir SmartDispense.

Compartiment de prélavage (certains modèles)

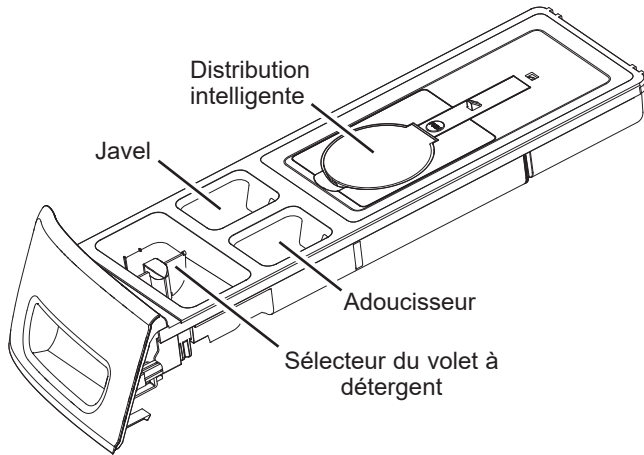
N'utilisez le compartiment de prélavage que si vous choisissez le cycle de **PreWash** (Pré lavage) pour des vêtements très sales. Ajoutez le détergent mesuré ou l'additif de pré lavage au compartiment de pré lavage situé à l'arrière gauche du tiroir distributeur.

- Le détergent ou l'additif de pré lavage est évacué du distributeur pendant le cycle de **PreWash** (Pré lavage) (si vous l'avez choisi).
- Vous devez ajuster la quantité de détergent à la température de l'eau, à la dureté de l'eau, à la taille de la charge et à son niveau de saleté. Évitez d'utiliser trop de détergent dans votre laveuse car cela peut provoquer des traces de détergent et de mousse sur les vêtements.

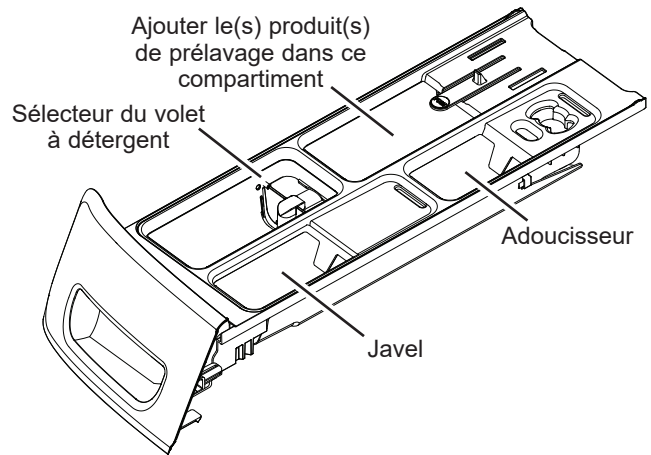


Utilisation de la laveuse

Sur les modèles avec distribution intelligente (Smart Dispenser) :



Sur les modèles sans distribution intelligente :



Compartiment de détergent

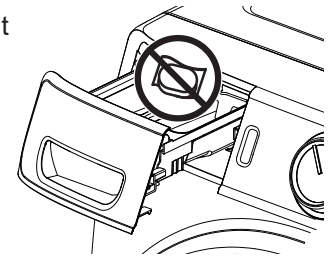
Utilisez seulement du détergent haute efficacité dans cette laveuse. **NE PAS** remplir de ce détergent au-delà de la ligne **MAX**. Utilisez la quantité recommandée par le fabricant du détergent.

- **Détergent en poudre** – Levez le volet pour le détergent en poudre. Cela est nécessaire pour dissoudre et rincer le détergent correctement. Respectez les instructions du fabricant de détergent pour la mesure de la quantité de poudre.
- **Détergent liquide** – Maintenez le volet baissé pour le détergent liquide. Cela retient le détergent liquide jusqu'à son rinçage automatique au début du cycle de lavage. Respectez les instructions du fabricant de détergent pour la mesure de la quantité de liquide.


Vous devrez peut-être ajuster la quantité de détergent en fonction de la température et de la dureté de l'eau ainsi que du volume et du degré de saleté de la charge. Évitez d'utiliser trop de détergent dans votre laveuse car cela causera un débordement savonneux, laissera des traces de détergent et de mousse sur les vêtements, et allongera la durée du lavage.

Ne versez pas de détergent grumeleux dans le distributeur, au risque de causer une fuite.

Ne mettez PAS de sachets de détergent dans le tiroir distributeur.



Compartiment d'eau de Javel liquide

Si vous le désirez, mesurez le montant recommandé d'eau de Javel, ne dépassant pas 1/3 de tasse (80 ml) et versez-le dans le compartiment étiqueté LIQUID BLEACH (Eau de Javel) et portant le symbole .

Il est recommandé d'employer un javellisant à haute efficacité (HE) pour cette laveuse à chargement frontal

Ne dépassez jamais la ligne de remplissage maximum. Si vous mettez trop d'eau de Javel, cela risque de provoquer une distribution prématurée de l'eau de Javel, qui peut occasionner des dommages à vos vêtements.

REMARQUE : N'utilisez pas de javellisant en poudre ni de détergers ou d'additifs pour lessive en sachets dans le distributeur.

Compartiment d'adoucissant

Si vous le désirez, versez le montant recommandé d'adoucissant liquide dans le compartiment étiqueté FABRIC SOFTENER (Adoucissant).

N'utilisez que de l'adoucissant liquide dans le distributeur.

Ne dépassez jamais la ligne maximum de remplissage. Si vous mettez trop d'adoucissant, cela risque de provoquer une distribution prématurée d'adoucissant, qui peut tacher vos vêtements.

REMARQUE : Ne mettez jamais d'adoucissant directement dans la charge à laver.

REMARQUE : Le compartiment d'assouplissant textile sera siphonné lors du dernier rinçage du cycle de lavage. Ce compartiment peut également être utilisé pour accueillir d'autres agents de rinçage liquides tels que les désinfectants et les liquides améliorant le tissu. L'utilisation de ces autres produits doit être certifiée par le fabricant du liquide pour la sécurité dans l'utilisation d'une laveuse résidentielle et d'une laveuse/sécheuse combinées. Veuillez vérifier attentivement, car certains liquides peuvent invalider la garantie de votre Combo.

Indicateur d'aide au consommateur

Votre laveuse est équipée d'un Indicateur d'aide au consommateur (IAC). L'IAC est notre façon de communiquer une solution simple dans certaines situations où un appel de service n'est pas nécessaire. Le tableau ci-dessous décrit les messages utiles qui peuvent défiler sur votre affichage lorsque vous retournez pour laver une autre charge. Ces messages présentent des solutions simples que vous pouvez exécuter rapidement.

<p>Spin (Une lumière clignotante de spin)</p>	<p>Si une condition de déséquilibre est détectée par la laveuse, le voyant d'essorage (Spin) clignotera pendant le restant du cycle et restera allumé pendant une courte période de temps après que le cycle soit terminé. Lorsque cela se produit, la laveuse prend des mesures pour corriger la condition de déséquilibre et de terminer le cycle normalement. Dans certains cas, il est possible que la laveuse ne puisse pas être en mesure d'équilibrer la charge et essorer à plein vitesse. Si vous remarquez que la charge est plus humide que normalement à la fin du cycle, répartissez la charge uniformément dans le panier de lavage et commencez un cycle de Drain & Spin (drainer et essorer). (Consultez Rinçage supplémentaire sous les options Utilisation de la laveuse pour en savoir plus).</p>
<p>"H2O SUPPLY" (Alimentation d'eau dans la laveuse)</p>	<p>Vérifiez l'alimentation d'eau de votre domicile. Avez-vous oublié d'ouvrir un ou les deux robinets d'admission d'eau après l'installation ou au retour de vacances? Aussitôt que le message commence à défiler, la laveuse lance une période de verrouillage de 4 minutes. Les commandes de la laveuse ne répondront pas durant cette période ni ne pourront être changées. Après 4 minutes, vous pouvez redémarrer votre cycle. Si vous tentez d'outrepasser la période de verrouillage en débranchant la laveuse, la minuterie de 4 minutes se mettra en marche de nouveau.</p>
<p>"CAnCELEd" (Annulé)</p>	<p>"CAnCELED" (Annulé) peut défiler sur l'affichage si la machine a été mise en pause pendant plus de 24 heures ou si la machine s'est arrêtée par elle-même en raison de certaines erreurs avant que le cycle soit fini. Dès que le message commence à défiler, la laveuse va initier une période de verrouillage « lock-out » pour une durée de 4 minutes. Les commandes de la laveuse ne répondront pas (ni ne pourront être changées) durant cette période. Après les 4 minutes, vous pouvez redémarrer votre cycle . Si vous tentez d'outrepasser la période de verrouillage en débranchant la laveuse, la minuterie de 4 minutes se mettra de nouveau en marche. Si le problème persiste appelez 800.561.3344 pour le service.</p>
<p>"door" (Porte)</p>	<p>« door » (porte) s'affichera sur l'afficheur si vous essayez de commencer un cycle alors que la porte n'est pas complètement fermée. « door » (porte) s'affichera aussi sur l'afficheur si 3 cycles ont été commencés sans avoir ouvert la porte.</p> <p>La laveuse ne démarrera pas un autre cycle tant que la porte est ouverte. En d'autres circonstances, essayez d'ouvrir et de fermer la porte puis commencer un nouveau cycle. Si le problème persiste, appelez 800.561.3344 pour le service.</p>

Chargement

Respectez toujours l'étiquette d'entretien du fabricant lors de la lessive.

Tri du linge

Triez le linge par couleur (blancs, clairs, couleurs), degré de saleté, type de tissu (coton robuste, tissu à entretien facile, tissu délicat) et en fonction de la charpie qu'il produit (tissu éponge, tissu chenille) ou qu'il ramasse (velvétine, velours côtelé). Lavez les articles qui génèrent de la charpie, tels que les serviettes de coton et les bas, séparément des articles qui la collectent, par exemple les vêtements synthétiques et les pantalons habillés.

⚠ AVERTISSEMENT - Risque d'incendie

NE lavez **PAS** les tissus contaminés avec des liquides inflammables ou des solvants de nettoyage.

Aucune laveuse ne peut éliminer l'huile totalement.

NE faites **PAS** sécher des articles qui ont été trempés dans ou en contact avec des huiles.

NE mettez **PAS** à la main dans la machine à laver jusqu'à ce que toutes les pièces mobiles soient arrêtées.

Cela peut entraîner la mort, une explosion, un incendie ou une amputation.

Chargement de la laveuse

Vous pouvez charger complètement le tambour de lavage en ajoutant les articles lachement.

Pour ajouter des articles après avoir mis en marche la laveuse, appuyez sur **Start/Pause** (Mise en marche/ Pause) et attendez que la porte soit déverrouillée. La laveuse peut prendre jusqu'à 30 secondes pour déverrouiller sa porte après que vous ayez appuyé sur **Start/Pause** (Mise en marche/ Pause), selon les conditions. N'essayez pas de forcer la porte pour l'ouvrir quand elle est verrouillée. Quand la porte est déverrouillée, ouvrez doucement. Ajoutez les articles, refermez la porte et appuyez sur **Start/Pause** (Mise en marche/ Pause) pour remettre en marche.

Exemples de brassées

Type de brassée	Brassée mixte	Serviettes et draps	Déliçats*	Vêtements de travail	Petite brassée (2 à 5 articles)
Cycle suggéré	NORMAL	TOWELS (SERVIETTES)	DELICATES (DÉLICATS)	JEANS	QUICK CYCLE (CYCLE RAPIDE)
Contenu de la brassée	6 chemises habillées 3 pantalons habillés 3 t-shirts en poly 3 t-shirts 4 shorts 6 caleçons OU 6 t-shirts 4 pantalons en coton ouaté 4 chandails en molleton 2 chandails à capuchon 7 paires de chaussettes	4 taies d'oreiller 2 serviettes essuie-mains 2 draps plats/ 2 draps-housses 2 serviettes de bain/ 4 débarbouillettes OU 2 draps plats, format grand lit 2 draps-housses, format grand lit 4 taies d'oreiller	7 soutiens-gorge 7 petites culottes 3 slips 2 camisoles 4 chemises de nuit *Il est recommandé d'utiliser un sac en maille de nylon pour les petits articles.	4 jeans 5 chemises de travail 3 pantalons de travail	1 pantalon décontracté 2 chemises décontractées OU 3 uniformes de soccer

Entretien et nettoyage

Flexibles d'alimentation d'eau

Inspectez régulièrement tous les flexibles d'alimentation d'eau afin de détecter des signes de fuites d'eau, d'usure, de coupures, de corrosion et de bombements. Remplacez les flexibles immédiatement si des signes de cette nature apparaissent. Pour réduire le risque de défaillance des flexibles et de dégâts d'eau, ceux-ci doivent être remplacés tous les 5 ans d'utilisation. Lorsque vous remplacez des flexibles, reportez-vous aux instructions d'installation pour vous assurer d'une installation correcte. ÉVITEZ de trop serrer les raccords et de fausser leur filetage. Les flexibles NE doivent PAS frotter contre des objets coupants ni présenter des plis ou des étirements trop prononcés. Vérifiez toujours que les joints d'étanchéité en caoutchouc des flexibles sont installés et exempts de fuites lorsqu'ils sont sous pression.

Extérieur

Essuyez immédiatement tout débordement. Essuyez ou époussetez les renversements ou les produits de lavage avec un linge humide. Le panneau de commande et le fini de la laveuse peuvent être endommagés par certains détachants et produits de prétraitement. Appliquez ces produits à l'écart de la laveuse. Le tissu peut ensuite être lavé et séché normalement. Les dommages à votre laveuse causés par ces produits ne sont pas couverts par votre garantie. Ne frappez jamais la surface avec des objets aiguisés.

Intérieur

Séchez autour de l'ouverture de la porte de la laveuse, du joint flexible (y compris les tuyaux) et de la porte en verre. Ces surfaces doivent être toujours propres pour assurer que le joint soit bien imperméable. Vous noterez que ceci n'est pas requis aussi souvent si vous utilisez régulièrement le système ULTRAFRESH VENT. Il est recommandé de rincer la machine à laver au moins une fois par mois avec 1 tasse (250 ml) d'eau de javel (ou tout autre produit disponible dans le commerce fabriqué à cet effet, tel que le nettoyant pour laveuse Tide®) versée directement dans le panier sans vêtements et en utilisant le cycle **Self Clean** (Nettoyage de la Cuve).

Self Clean (Auto nettoyant)

Pour nettoyer l'intérieur de la laveuse, choisissez la fonction **SELF CLEAN** sur le panneau de commande. Le cycle **Self Clean** doit être exécuté au minimum une fois par mois ou environ tous les 40 cycles de lavage. Ce cycle utilise plus d'eau, en plus du javellisant, afin de contrôler le taux d'accumulation de la saleté et du détergent dans votre laveuse.

REMARQUE : Lisez les instructions ci-dessous en entier avant de démarrer le cycle de **Self Clean**.

1. Enlevez tout vêtement ou objet de la laveuse et assurez-vous que le panier de la laveuse est vide.
2. Ouvrez la porte de la laveuse et versez une tasse ou 250 ml de javellisant liquide ou autre nettoyant de laveuse dans le panier.
3. Fermez la porte et choisissez le cycle de **SELF CLEAN**. Appuyez sur la touche **Start**.
4. Lorsque le cycle **Self Clean** (Auto nettoyant), l'affichage indiquera la durée résiduelle estimée du cycle. Le cycle se terminera dans 90 minutes. N'interrompez pas le cycle.



5. Une fois le cycle terminé (sur certains modèles), la laveuse va démarrer une ventilation ULTRAFRESH de façon que la porte puisse rester fermée jusqu'à la prochaine utilisation de la laveuse.

Si pour une raison quelconque le cycle doit être interrompu, la porte ne s'ouvrira pas immédiatement. Forcer la porte à s'ouvrir à ce stade peut causer un débordement d'eau. La porte s'ouvrira lorsque l'eau aura été vidée à un niveau où elle ne débordera pas sur le plancher.

Vous pouvez interrompre le cycle de **Self Clean** (Auto nettoyant) en appuyant sur la touche **Start** (Mise en marche) entre les cycles. Une panne de courant peut également interrompre le cycle. Au retour du courant, le cycle de **Self Clean** (Auto nettoyant) reprend là où il s'était arrêté. Lorsque le cycle est interrompu, assurez-vous de reprendre un cycle complet de auto nettoyant avant d'utiliser la laveuse. Si vous appuyez sur la touche **Power** (Alimentation) durant le **Self Clean** (Auto nettoyant), le cycle sera perdu.

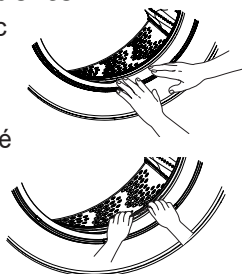
IMPORTANT:

- Effectuez le **Self Clean** (Auto nettoyant) avec 250 ml (une tasse) de javellisant une fois par mois.
- Lorsque le cycle **Self Clean** (Auto nettoyant) est terminé, l'intérieur de votre laveuse peut avoir une odeur de javellisant.
- Il est recommandé de laver une **RINSE & SPIN** ou brassée de couleur pâle après le cycle de **Self Clean**.

Joint d'étanchéité de la porte

Ouvrez la porte de la laveuse. Avec les deux mains, poussez le joint d'étanchéité vers le bas.

Tout en maintenant le joint d'étanchéité de la porte, inspectez le pli intérieur. Retirez tous les objets étrangers trouvés à l'intérieur de ce joint.



Enlevez tout objet étranger qui pourrait se trouver dans le joint. Assurez-vous que rien ne bloque les orifices derrière le joint.

Une fois le nettoyage terminé, retirez vos mains et les joints retourneront à ses positions normales.



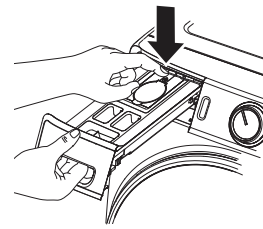
Entretien et nettoyage

Emplacement du tiroir distributeur

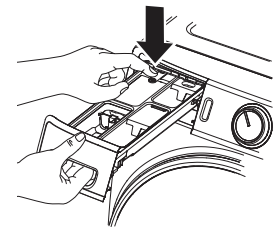
Le détergent et l'adoucisseur peuvent s'amasser dans le tiroir distributeur. Il faut enlever ces résidus une ou deux fois par mois.

- Enlevez le tiroir en le tirant d'abord jusqu'à ce qu'il s'arrête. Puis atteignez le arrière de la cavité du tiroir et appuyez fermement sur la patte de verrouillage, en tirant le tiroir.
- Rincez à le tiroir pour faire disparaître les traces de produits de lavage qui se sont accumulées.
- Pour nettoyer l'ouverture du tiroir, utilisez une petite brosse pour l'intérieur. Enlevez tout résidu en haut et en bas de l'intérieur.
- Remettez en place le tiroir de distribution.
- Pour réduire l'accumulation dans le tiroir de distribution :

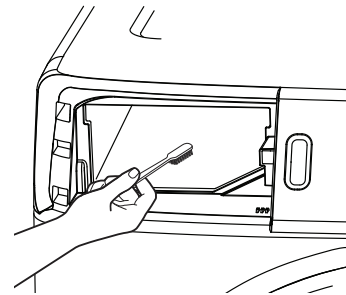
On models with a Smart Dispenser:



On models without a Smart Dispenser:



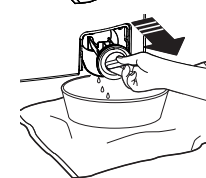
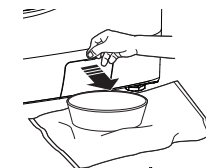
Utilisez seulement un détergent à haute efficacité HE.



Filtre de la pompe

En raison de la nature de la laveuse à chargement frontal, il est parfois possible pour les petits articles d'atteindre la pompe. La laveuse présente un filtre pour piéger les articles perdus pour qu'ils ne tombent pas dans le drain. Pour récupérer les articles perdus, nettoyez le filtre de la pompe.

1. Ouvrez la porte d'accès à l'aide d'un petit tournevis à tête plate ou pièce de monnaie.
2. Placez un plat ou un bac peu profond sous la porte d'accès à la pompe et des serviettes sur le sol devant la laveuse pour protéger le sol. Il est normal de recueillir environ une tasse d'eau lorsque le filtre est retiré.
3. Tirez sur le bec verseur
4. Tournez le filtre de la pompe dans le sens inverse des aiguilles d'une montre et retirez lentement le filtre, en contrôlant le débit de l'eau évacuée.
5. Retirez le filtre et nettoyez les débris du filtre.
6. Remettez le filtre en place et tournez dans le sens des aiguilles d'une montre. Serrez fermement.
7. Relevez le bec verseur
8. Fermez la porte d'accès en accrochant d'abord les languettes inférieures, puis en tournant la porte d'accès pour la fermer.



Video

Scan this code to watch a video on this topic.

Déménagement et rangement

Demandez au technicien de service d'enlever l'eau de la pompe et des tuyaux de vidange. Ne rangez jamais la laveuse dans un endroit où elle est exposée au mauvais temps. Quand vous déménagez la laveuse, vous devez immobiliser le bassin de lavage en utilisant les boulons d'expédition enlevés pendant l'installation. Consultez les Instructions d'installation dans ce manuel. Si vous n'avez pas ces pièces, vous pouvez les commander en visitant notre site web à l'adresse Electromenagersge.ca/fr/produits/filtres-et-accessoires ou en appelant le numéro de téléphone **800.661.1616**.

Longues vacances

Assurez-vous de fermer tous les robinets d'alimentation de l'eau. Vidangez toute l'eau des tuyaux si la température risque de descendre en dessous de celle de gel.

Instructions d'installation

Laveuse

Des questions? Appelez le 800.561.3344 ou Visitez notre site Web à l'adresse : electromenagersge.ca

AVANT DE COMMENCER

Lisez ces instructions entièrement et soigneusement.

- **IMPORTANT** — Conservez ces instructions pour l'inspecteur local.
- **IMPORTANT** — Observez tous les codes et les ordonnances en vigueur.
- **Note à l'installateur** — Assurez-vous de laisser ces instructions au consommateur.
- **Note au consommateur** — Conservez ces instructions à titre de référence.
- **Niveau de compétences** — L'installation de cet appareil électroménager nécessite des compétences mécaniques et électriques de base.
- **Temps d'installation** — 1-3 heures
- L'installateur est responsable de bien installer cet appareil.
- Toute panne de produit due à une mauvaise installation n'est pas couverte par la garantie.

EMPLACEMENT DE VOTRE LAVEUSE

N'installez jamais votre laveuse :



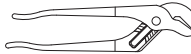

1. Dans un endroit exposé à de l'eau qui coule ou aux conditions climatiques extérieures. La température ambiante ne doit jamais être inférieure à 15,6°C (60°F) pour que la laveuse fonctionne bien.
2. Dans un endroit où elle entre en contact avec des tentures ou des rideaux.
3. Sur un tapis. Le sol **DOIT** être une surface dure avec une pente maximum de 1,27 cm per 30 cm (1/2 pouce par pied). Pour vous assurer que la laveuse ne vibre pas ou ne bouge pas, il est possible que vous deviez renforcer le plancher.

REMARQUE : Si le plancher est en mauvais état, utilisez une feuille de contreplaqué traité de 3/4 po. fixé solidement à la couverture de plancher actuelle.


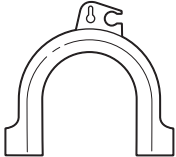


INSTALLATION EN MAISON MOBILE :

L'installation doit satisfaire les normes suivantes : Standard for Mobile Homes, ANSI A119.1 et National Mobile Home Construction and Safety Standards Act of 1974 (PL93-383).

OUTILS NÉCESSAIRES

- Niveau 
- Clé à molette 
- Pince multiprise à crémaillère 
- Tournevis cruciforme 

PIÈCES FOURNIES

- Couvercles de boulons d'expédition (4) 
- Guide de tuyau 
- Barre de verrouillage - Conserver pour l'option **Inversion de l'ouverture de la porte** (en option sur certains modèles uniquement) 
- Attache de câble 

PIÈCES REQUISES (vendues séparément ou inclus avec le modèle GFW510)

- Flexibles d'eau (2) 
- Rondelles en caoutchouc (2) et grillages pour crépine (2) 

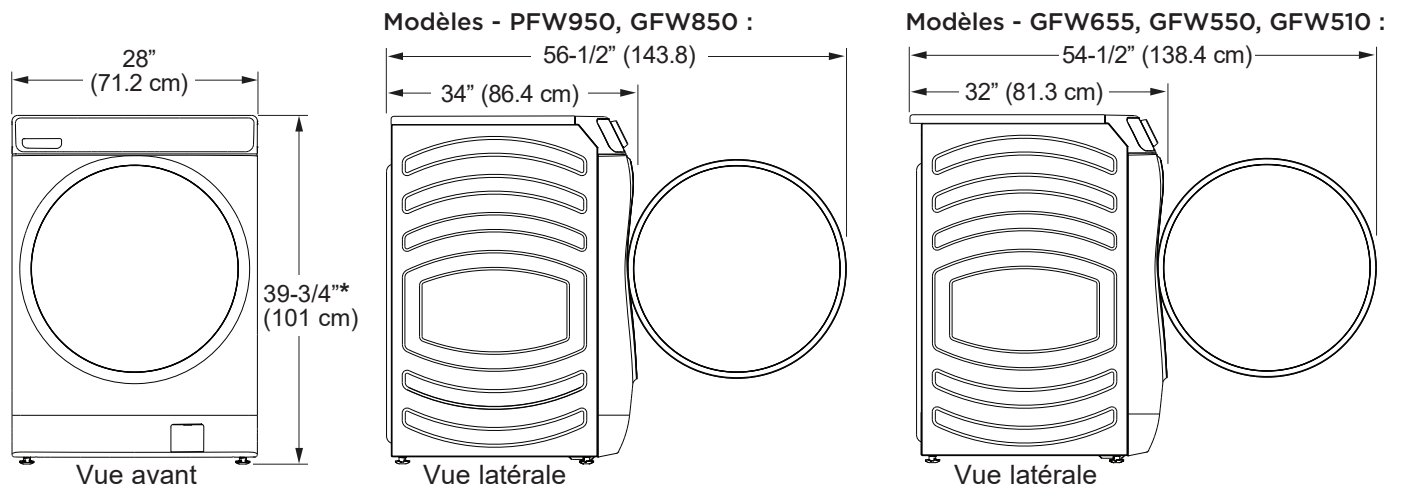
Pièces et accessoires GE Appliances

Consultez votre annuaire local pour un détaillant de pièces autorisé ou appelez-nous au 800.661.1616 ou Electromenagersge.ca/fr/produits/filtres-et-accessoires.

Numéro de pièce	Accessoire
WX14X10011	Tuyaux 6 pi pour laveuse en acier inoxydable avec coudes 90°; paquet de 2
WH1X2267	Rondelles en caoutchouc et grillages

Instructions d'installation

DIMENSIONS DE LA LAVEUSE

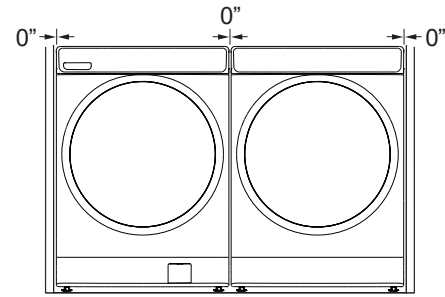
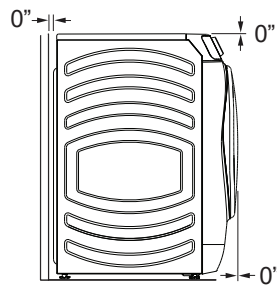


*Avec pieds de nivellement rétractés : 39-3/4 (101 cm). / Avec pieds de nivellement complètement sortis : 40-5/8 (103.1 cm).

ESPACES LIBRES MINIMUM

Alcôve ou Placard

- Arrière = 0"
- Côtés = 0"
- Haut = 0"
- Avant = 0"

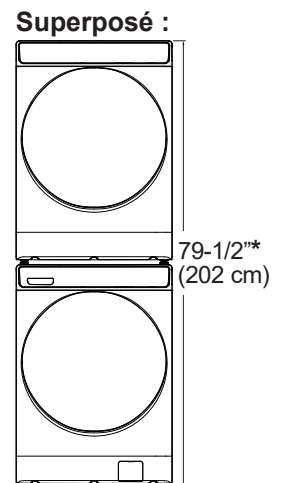
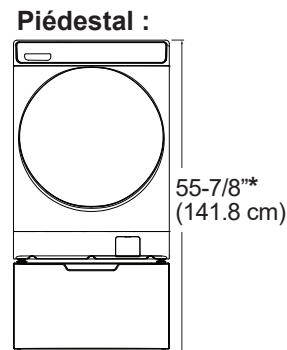
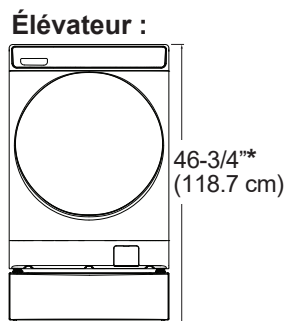


- Il faut veiller à procurer le dégagement nécessaire à l'installation et aux interventions de service.
- Les portes du placard doivent être perforées ou bien ventilées et disposer d'au moins 387,1 cm² (60 pouces carrés) d'espace. Si le placard abrite une laveuse et une sècheuse, les portes doivent disposer de 774,2 cm² (120 pouces carrés) au minimum d'espace ouvert.
- *Pour permettre un dégagement 0 po à l'arrière de la laveuse, vous devez utiliser des tuyaux avec coude 90°. Autrement, un dégagement supplémentaire peut être nécessaire pour éviter le frottement des tuyaux contre le mur arrière.

ACCESSOIRES :

Commandez en ligne sur Electromenagersge.ca/fr/produits/filtres-et-accessoires 24 heures par jour ou en téléphonant au **800 561-3344** durant les heures normales d'affaire.

No. de pièce	Accessoire
GFR0728SNWW	Élévateur blanc
GFR0728PNSN	Élévateur nickel satiné
GFR0728PNRS	Élévateur saphir royal
GFR0728PNDG	Élévateur gris diamant
GFR0728PTDS	Élévateur ardoise noire
GFP1528SNWW	Piédestal blanc
GFP1528PNSN	Piédestal nickel satiné
GFP1528PNRS	Piédestal saphir royal
GFP1528PNDG	Piédestal gris diamant
GFP1528PTDS	Piédestal ardoise noire
GFA28KITN	Kit d'empilage d'une sècheuse sur une laveuse



Suivez les **Instructions d'installation** incluses dans la trousse pour l'ensemble des dégagements et spécifications.

*Avec pieds de nivellement rétractés. Voir la section **DIMENSIONS DE LA LAVEUSE** ci-dessus pour les dimensions de l'extension des pieds.

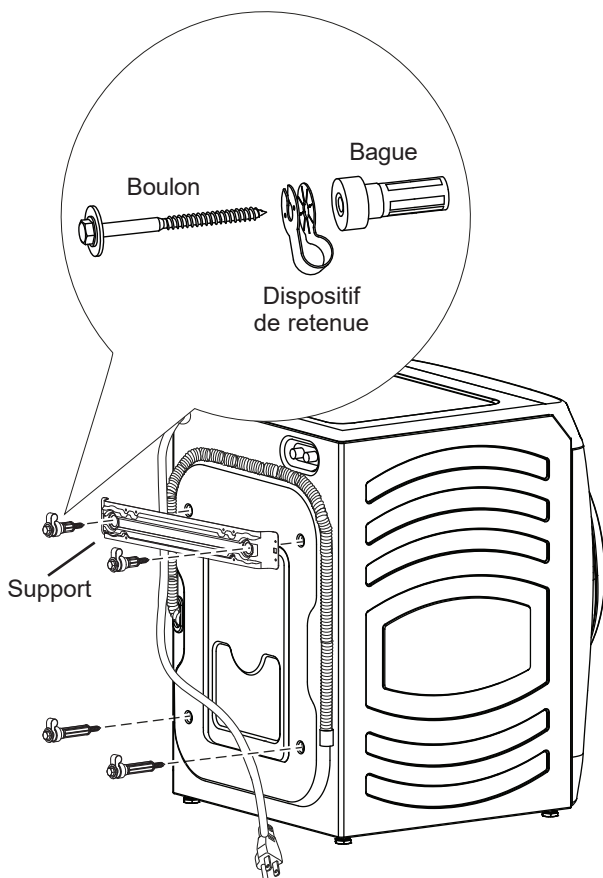
Instructions d'installation

DÉBALLAGE DE VOTRE LAVEUSE

⚠ AVERTISSEMENT Recyclez ou détruisez le carton et les sacs en matière plastique après avoir déballé votre laveuse. Mettez ces matériaux hors de la portée des enfants. Les enfants peuvent être tentés de les utiliser pour jouer. Les cartons recouverts de tapis, de couve-lit, ou de drap en matière plastique peuvent devenir des chambres hermétiquement closes risquant d'étouffer des enfants.

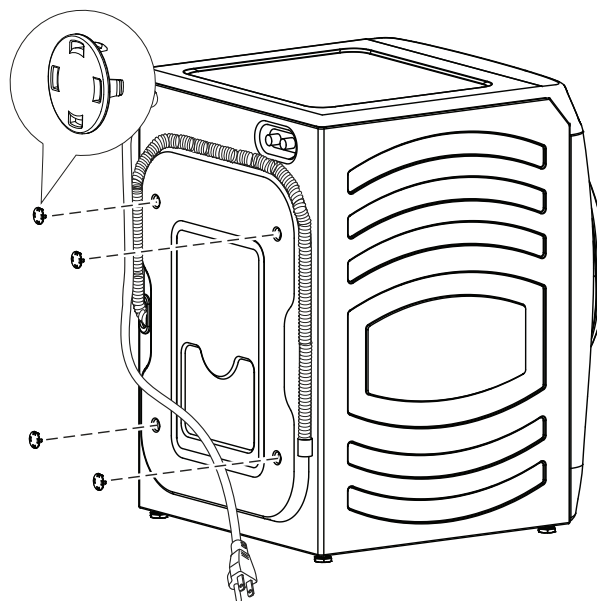
1. Coupez et enlevez toutes les sangles d'emballage.
2. Alors qu'elle est dans le carton, posez avec soin la laveuse sur son côté. **NE LAISSEZ JAMAIS** reposer la laveuse sur son avant ou son arrière.
3. Tournez vers le bas les rebords du bas—enlevez tout l'emballage de base, y compris la base en styrofoam.
4. Remettez soigneusement la laveuse debout et enlevez le carton.
5. Amenez soigneusement la laveuse à moins de 4 pieds (122 cm) de son emplacement final.
6. Enlevez les pièces suivantes de l'arrière de la laveuse :
 - 4 boulons
 - 4 bagues en matière plastique (compris les dispositifs de retenue du cordon d'alimentation et les anneaux en caoutchouc)
 - 1 support et les vis le fixant à la laveuse

NOTE : NE retirez PAS la vis ou le clip tenant le tuyau.



DÉBALLAGE DE VOTRE LAVEUSE (suite)

7. Insérez les capuchons des trous de boulons d'expédition dans les trous des boulons d'expédition.



IMPORTANT :

- Le fait de ne pas retirer toute la quincaillerie d'expédition pour provoquer un déséquilibre sévère de la laveuse.
- Conservez toute la quincaillerie d'expédition pour usage future. Si vous devez transporter ultérieurement la laveuse, vous devez réinstaller les boulons d'expédition et les entretoises pour éviter les bris pendant l'expédition. Ce support n'est pas requis et peut donc être jeté.

REMARQUE : Considérez les options de recyclage des matériaux d'emballage de votre électroménager.

Instructions d'installation

EXIGENCES ÉLECTRIQUES

⚠ AVERTISSEMENT - Risque d'électrocution

Brancher à une prise de courant à 3 broches mise à la terre.

NE PAS retirer la broche de contact de mise à la terre.

N'UTILISEZ pas de rallonge électrique.

N'UTILISEZ pas d'adaptateur de prise.

Le non-respect de ces instructions pourrait entraîner un décès, un incendie ou un choc électrique.

CIRCUIT - Individuel, correctement polarisé et mis à la terre, disjoncteur ou fusible temporisé de 15 ou 20 ampères.

ALIMENTATION ÉLECTRIQUE – 2 fils plus la mise à la terre, 120 volts, monophasé, 60 Hz, courant alternatif.

PRISE ÉLECTRIQUE – Prise à 3 voies correctement mise à la terre située de façon à ce que le cordon soit accessible lorsque la laveuse est installée dans sa position définitive. Si la prise n'est qu'à 2 voies, il est de la responsabilité du propriétaire de demander à un électricien agréé de la remplacer par une prise à 3 voies correctement mise à la terre.

Assurez-vous au préalable qu'une mise à la terre existe bien et qu'elle fonctionne correctement.



La laveuse doit être correctement mise à la terre conformément aux codes locaux de l'électricité, ou dans l'absence de codes locaux, à la dernière édition du Code Électrique National, ANSI/NFPA NO. 70 ou au Code Électrique Canadien CSA C22.1. Demandez à un électricien agréé de vérifier la connexion si vous n'êtes pas certain que la laveuse est correctement mise à la terre.

INSTRUCTIONS DE MISE À LA TERRE

Cet appareil doit être mis à la terre. Dans l'éventualité d'un mal fonctionnement ou d'une panne, la mise à la terre réduit le risque de choc électrique en procurant un circuit de moindre résistance au courant électrique. Cet appareil comporte un cordon doté d'un conducteur de mise à la terre de l'appareillage et d'une fiche de mise à la terre. La fiche doit être branchée dans une prise compatible correctement installée et mise à la terre conformément à tous les codes et règlements en vigueur.

⚠ AVERTISSEMENT Une connexion incorrecte du conducteur de mise à la terre de l'appareillage peut poser un risque de choc électrique. Consultez un électricien ou réparateur qualifié si vous doutez que l'appareil soit correctement mis à la terre. **NE** modifiez **PAS** la fiche du cordon d'alimentation. Si elle ne s'insère pas dans la prise, demandez à un électricien agréé de poser une prise appropriée.

Si les codes locaux l'exigent, un fil de terre extérieur en cuivre de calibre 18 ou supérieur (non fourni) peut être ajouté. Fixer à l'enceinte de la laveuse à l'aide d'une vis à tôle #10-16 x 1/2 po (dans toute bonne quincaillerie) à l'arrière de la laveuse.

⚠ AVERTISSEMENT - Risque d'électrocution

Débranchez l'alimentation électrique avant la réparation. Remettez toutes les pièces et panneaux en place avant d'utiliser l'appareil.

L'omission de prendre ces précautions peut provoquer la mort ou l'électrocution.

⚠ AVERTISSEMENT - Risque d'électrocution

Certaines pièces internes sont intentionnellement non mises à la terre et peuvent présenter un risque de choc électrique lors d'un entretien.

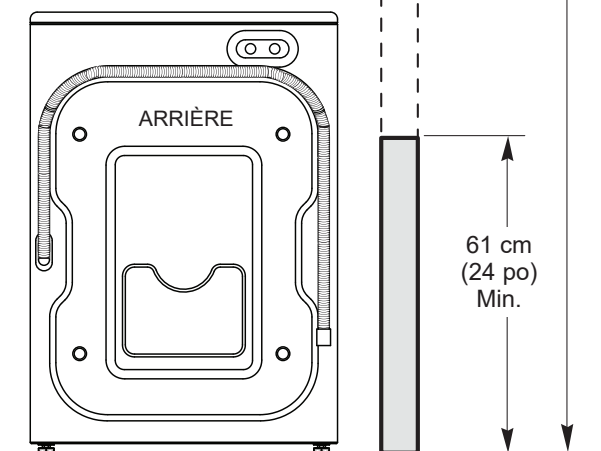
Personnel de réparateur – NE PAS toucher aux composants suivants lorsque l'appareil est sous tension : robinet d'eau, pompe de vidange, NTC, élément chauffant, verrou de porte, carte d'onduleur, moteur et carte MC.

EXIGENCES D'ALIMENTATION D'EAU

Les robinets DOIVENT être des robinets de jardin de 1,9 cm (3/4 po.), pour pouvoir brancher les tuyaux d'entrée. La pression de l'eau DOIT être entre 10 et 120 livres par pouce carré. Votre service d'eau peut vous indiquer votre pression d'eau. La température de l'eau chaude doit être réglée de manière à fournir de l'eau à une température de 48°C à 60°C (120°F à 140°F) pour obtenir un rendement adéquat de la commande de température automatique (ATC).

EXIGENCES DE VIDANGE

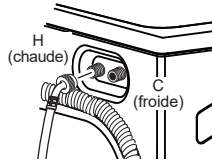
1. Une vidange capable d'éliminer 38 L (10 gallons) par minute.
2. Un diamètre minimum de tuyau ascendant de 3,18 cm (1 1/4 po.)
3. La hauteur du tuyau ascendant au dessus du plancher doit être la suivante :
Hauteur minimum : 61 cm (24 po.)
Hauteur maximum : 244 cm (96 po.)



Instructions d'installation

INSTALLATION DE LA LAVEUSE

1. Faites couler un peu d'eau chaude et froide des robinets pour purger les tuyaux d'entrée d'eau et enlever les particules qui peuvent boucher les filtres des robinets et des tuyaux d'entrée d'eau.
2. Enlevez les tuyaux d'entrée d'eau du conditionnement.
3. (extrémité coudée 90°) Assurez-vous de la présence de la rondelle de caoutchouc aux extrémités des coudes de 90° des tuyaux d'eau chaude et froide (HOT et COLD). Réinstallez les rondelles de caoutchouc aux extrémités des tuyaux si ces dernières sont tombées lors du transport. Branchez soigneusement le tuyau d'entrée marqué HOT (chaud) à la sortie extérieure du robinet d'eau marquée H. Serrez à la main, puis serrez encore 2/3 de tour avec des pinces. Branchez soigneusement l'autre tuyau d'entrée à la sortie intérieure du robinet d'eau marquée C. Serrez à la main, puis serrez encore 2/3 de tour avec des pinces. **Ne faussez pas le filetage ou ne serrez pas trop ces branchements.**



4. Si les rondelles grillagées pour flexibles ne sont pas déjà insérées dans les flexibles d'admission d'eau, insérez-les dans les extrémités libres des flexibles d'eau CHAUDE et FROIDE en orientant la face bombée vers le robinet.
5. Branchez les extrémités du tuyau d'entrée aux robinets d'eau CHAUDE et FROIDE, en serrant légèrement à la main, puis en serrant encore 2/3 de tour avec des pinces. Ouvrez l'eau et vérifiez qu'il n'y ait pas de fuite.



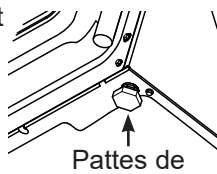
6. Amenez soigneusement la laveuse dans son emplacement final. Mettez gentille la laveuse à sa place, en la balançant. Il est important de ne pas endommager les pattes de nivellement en caoutchouc lorsque vous déplacez la laveuse vers sa position finale. Des pattes endommagées peuvent accroître les vibrations produites par la laveuse. La vaporisation de nettoyant à vitres sur le plancher peut faciliter le déplacement de la laveuse vers sa position finale.

NOTE : Afin de réduire les vibrations, assurez-vous que les quatre pattes de nivellement reposent fermement au plancher. Poussez et tirez sur l'arrière de la laveuse du côté droit, puis du côté gauche pour ajuster les pattes.

NOTE : N'essayez jamais de soulever la laveuse par sa porte ou par son tiroir distributeur.

NOTE : Si vous installez dans un bac de vidange, vous pouvez utiliser un 2 x 4 long de 24 po. pour bien mettre à l'horizontale la laveuse.

7. La laveuse dans son emplacement final, placez un niveau à bulle sur la laveuse (si elle est installée sous un comptoir, elle ne doit pas bouger). Ajustez les pattes de nivellement avant vers le haut ou vers le bas pour vous assurer qu'elle ne bouge pas. Tournez les contre-écrous de chaque patte vers la base de la laveuse et serrez avec une clé anglaise.

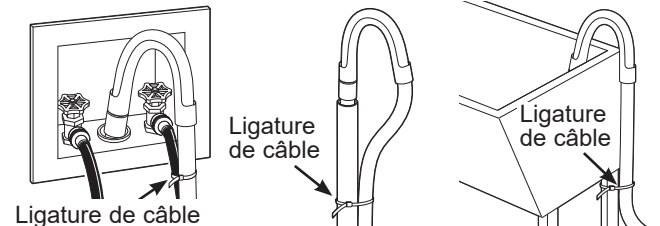


INSTALLATION DE LA LAVEUSE

NOTE : Conservez les extensions des pattes à un minimum pour empêcher les vibrations. Plus les pattes sont tirés, et plus la laveuse vibre.

Si le plancher n'est pas bien horizontal ou est endommagé, il est possible que vous deviez allonger les pattes de nivellement arrière.

8. Attachez le guide de tuyau en U à l'extrémité du tuyau de vidange. Placez le tuyau dans une cuve à lessive ou un tuyau vertical et liez-le avec la ligature de câble fournie dans le paquet.



NOTE : Placer le tuyau de vidange trop en bas du conduit d'évacuation peut causer un siphonage. Il ne doit pas y avoir plus de 18 cm de tuyau dans le conduit d'évacuation. Il doit y avoir un espace d'air autour du tuyau de vidange. Un ajustement trop serré peut causer un siphonage.

9. Branchez le cordon d'alimentation dans une prise mise à la terre.
NOTE : Vérifiez que le courant est coupé au niveau du disjoncteur ou de la boîte à fusibles avant de brancher le cordon d'alimentation à une prise.
10. Branchez le courant au niveau du disjoncteur ou de la boîte à fusibles.
11. Lisez le reste de ce Manuel du propriétaire. Il contient des renseignements précieux et utiles qui vous feront économiser du temps et de l'argent.
12. **Avant de mettre en marche la laveuse, vérifiez que tout est en ordre :**
 - L'alimentation principale de courant est branchée.
 - La laveuse est branchée à la prise.
 - Les robinets d'eau sont ouverts.
 - L'appareil est bien horizontal et les quatre pattes de nivellement reposent fermement sur le plancher.
 - La quincaillerie de soutien pour l'expédition est enlevée et mise de côté.
 - Le tuyau de vidange est bien attaché.
 - Le robinet, les rondelles et le tuyau de vidange ne fuient pas.
13. Faites marcher la laveuse pendant un cycle complet. Vérifiez qu'il n'y a aucune fuite d'eau et qu'elle fonctionne bien.
14. Si votre laveuse ne fonctionne pas, nous vous prions de consulter la section Avant d'appeler un réparateur, avant d'appeler le service.
15. Rangez ces instructions dans un emplacement proche de la laveuse pour référence future.

PIÈCES DE RECHANGE

Si vous avez besoin de pièces de rechange pour votre laveuse, vous pouvez les commander au Canada en visitant notre site web Electromenagersge.ca/fr/produits/filtres-et-accessoires ou en appelant le 800.561.3344.

Instructions d'installation

INVERSION DE L'OUVERTURE DE LA PORTE (EN OPTION SUR CERTAINS MODÈLES UNIQUEMENT)

⚠ AVERTISSEMENT

Débranchez l'appareil ou fermez son disjoncteur avant de procéder à l'entretien. Appuyer sur le bouton d'alimentation **Power** de l'appareil **NE** le déconnecte **PAS** de l'alimentation.

⚠ AVERTISSEMENT - Risque d'électrocution

Certaines pièces internes sont intentionnellement non mises à la terre et peuvent présenter un risque de choc électrique lors d'un entretien.

Personnel de réparateur – NE PAS toucher aux composants suivants lorsque l'appareil est sous tension : robinet d'eau, pompe de vidange, NTC, élément chauffant, verrou de porte, carte d'onduleur, moteur et carte MC.

OUTIL NÉCESSAIRE

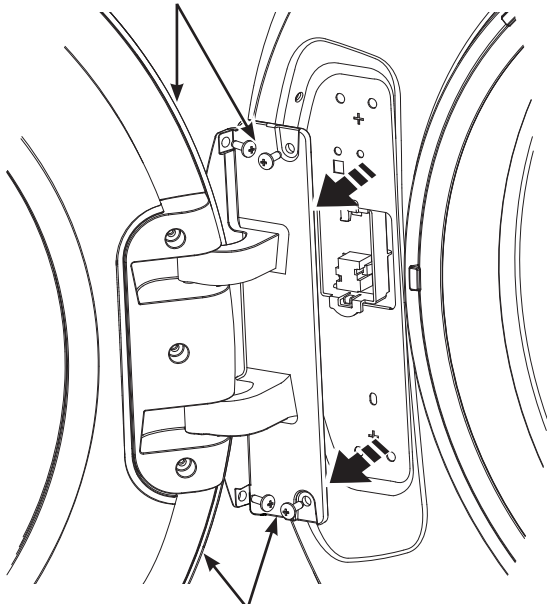
- Tournevis cruciforme



1 RETIREZ L'ASSEMBLAGE DE PORTE

- Ouvrez la porte de la laveuse.
- Tout en supportant la porte, retirer les 6 vis de la charnière sur la face de la laveuse.
- Soulevez l'assemblage de porte pour le retirer de la face de la laveuse et la mettre de côté sur une surface protectrice.

Charnière et assemblage de porte



Tenir la porte et retirer les vis de charnière de la laveuse

REMARQUES IMPORTANTES

- Manipulez les pièces avec soin afin d'éviter d'abîmer la peinture.
- Prévoyez une surface non abrasive pour les portes.
- Posez les vis à côté de leurs pièces respectives afin d'éviter de les utiliser aux mauvais endroits.
- Après avoir commencé, ne déplacez pas la sècheuse avant que l'inversion de l'ouverture de la porte n'ait été effectuée.
- Ces instructions permettent de transférer les charnières le côté gauche vers du côté droit. Si vous souhaitez les réinstaller du côté droit, veuillez suivre ces mêmes instructions et inversez toutes les références aux termes gauche et droite.

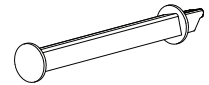
Video



Scan this code to watch a video on this topic.

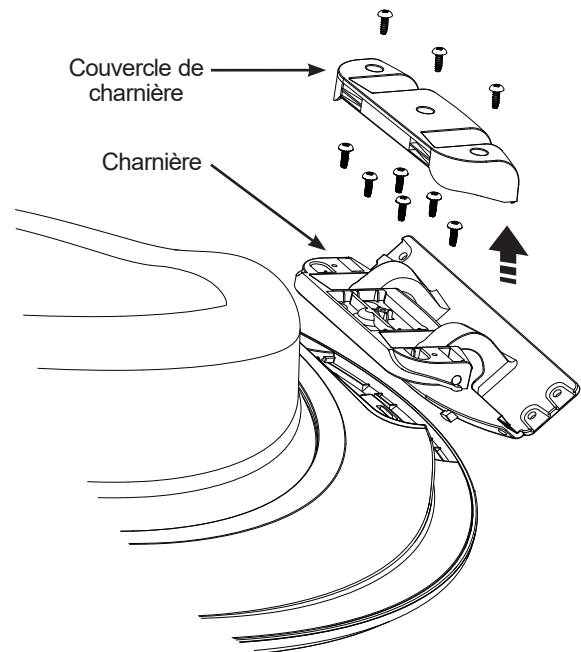
PIÈCE FOURNIE

- Barre de verrouillage



2 RETIREZ LA CHARNIÈRE DE PORTE

- Retirez les 3 vis du couvercle de charnière puis retirez le couvercle.
- Retirez les 6 vis de la charnière puis retirez la charnière de la porte.

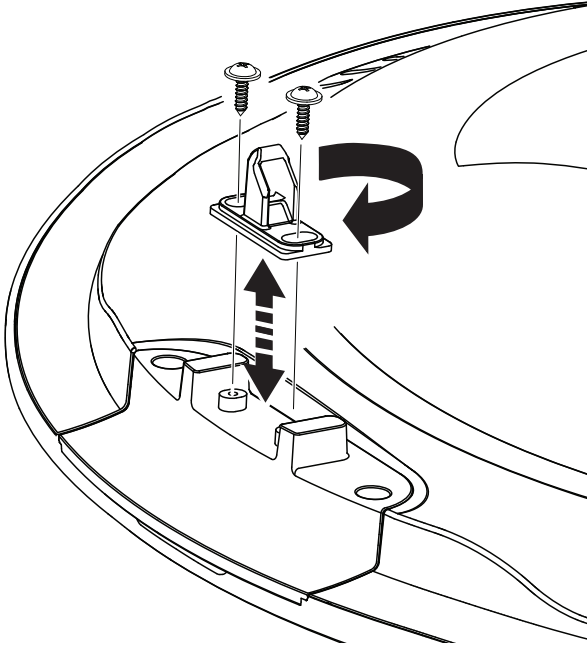


Instructions d'installation

INVERSION DE L'OUVERTURE DE LA PORTE (EN OPTION SUR CERTAINS MODÈLES UNIQUEMENT)

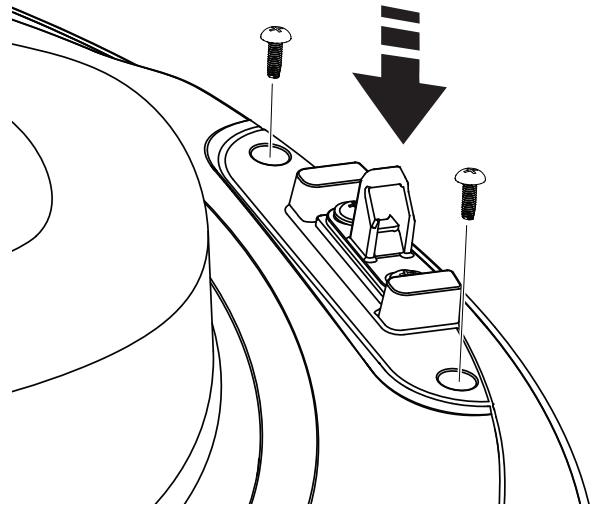
3 RETIREZ, INVERSEZ ET REPLACEZ LA GÂCHE DE PORTE

- Retirez les 2 vis de la gâche. Faites pivoter la gâche de 180° et réinstallez-la avec ses vis.



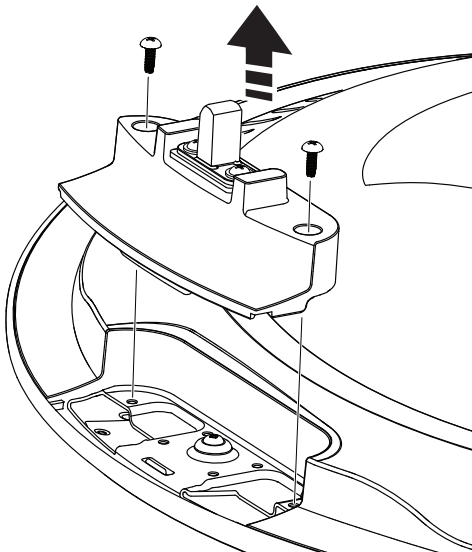
4 RETIREZ L'ASSEMBLAGE DE GÂCHE DE PORTE ET REPLACEZ-LA SUR LE CÔTÉ OPPOSÉ (SUITE)

- Faites pivoter l'assemblage de gâche et replacez-le sur le côté opposé avec ses vis.



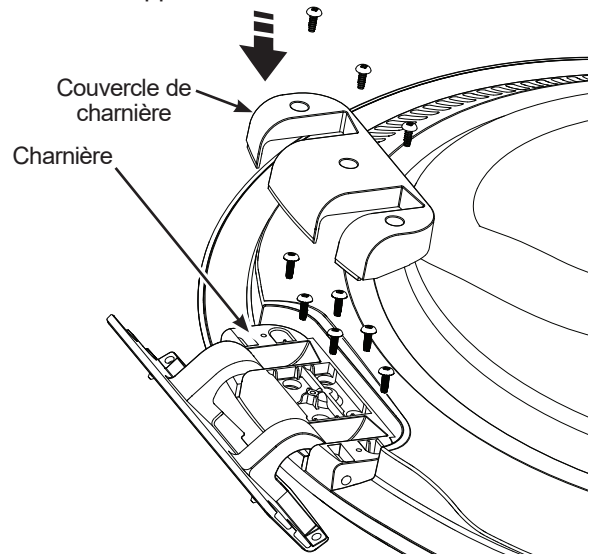
4 RETIREZ L'ASSEMBLAGE DE GÂCHE DE PORTE ET REPLACEZ-LA SUR LE CÔTÉ OPPOSÉ

- Retirez les 2 vis de l'assemblage de gâche et retirez l'assemblage en le tirant vers le centre, le poussant vers le haut puis l'extérieur.



5 REMPLACEZ LA CHARNIÈRE DE PORTE ET LE COUVERCLE DE CHARNIÈRE SUR LE CÔTÉ OPPOSÉ

- Faites pivoter la charnière et replacez-la sur le côté opposé avec ses vis.
- Faites pivoter le couvercle de charnière et replacez-le sur le côté opposé avec ses vis.

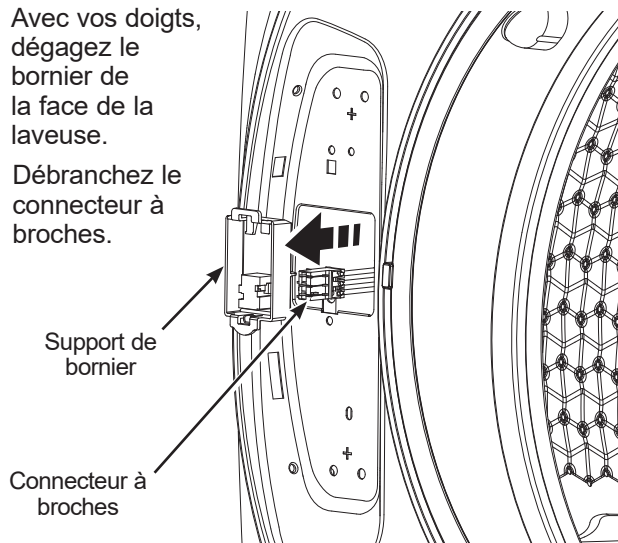


Instructions d'installation

INVERSION DE L'OUVERTURE DE LA PORTE (EN OPTION SUR CERTAINS MODÈLES UNIQUEMENT)

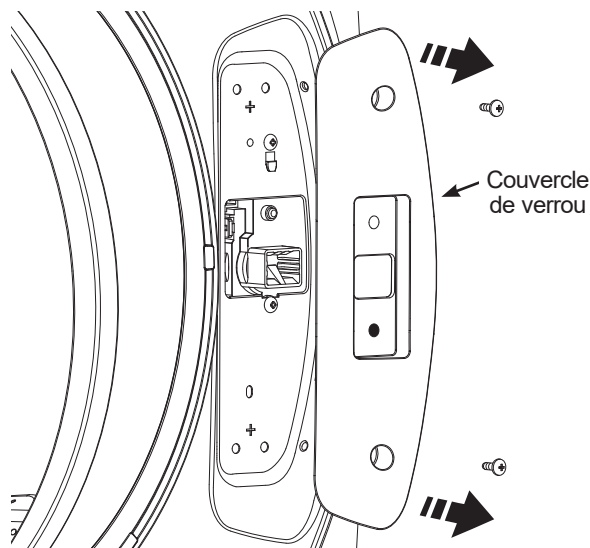
6 RETIREZ LE SUPPORT DE BORNIER ET DÉBRANCHEZ LE CONNECTEUR À BROCHES DE LA LAVEUSE

- Avec vos doigts, dégagez le bornier de la face de la laveuse.
- Débranchez le connecteur à broches.



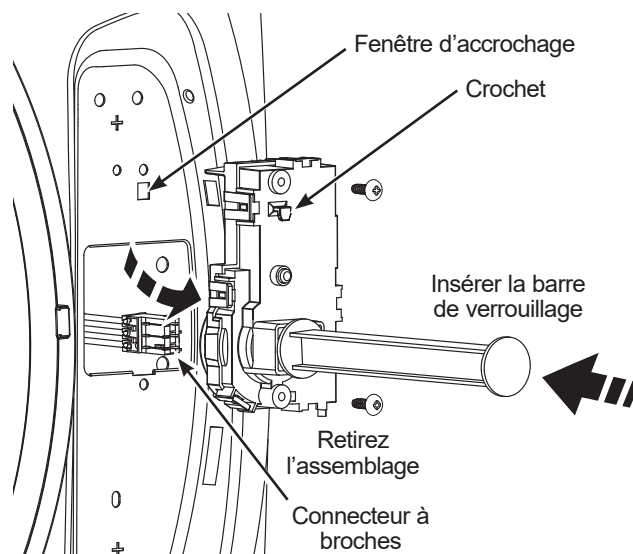
7 RETIREZ L'ASSEMBLAGE DE VERROU ET INSTALLEZ-LE SUR LE CÔTÉ OPPOSÉ DE LA LAVEUSE

- Retirez les 2 vis du couvercle de verrou puis retirez-le de la face de la laveuse.

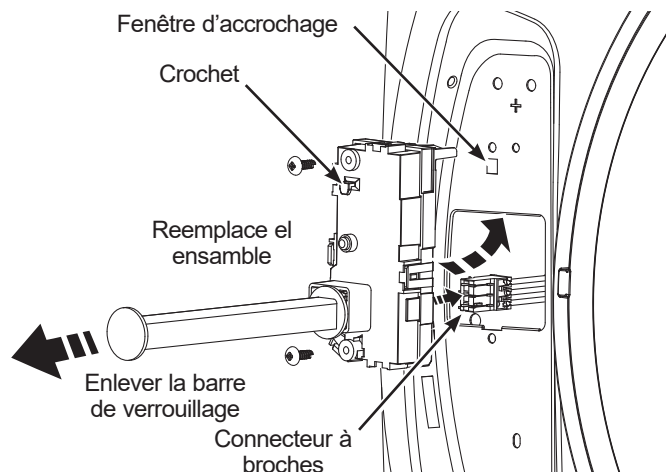


7 RETIREZ L'ASSEMBLAGE DE VERROU ET INSTALLEZ-LE SUR LE CÔTÉ OPPOSÉ DE LA LAVEUSE (SUITE)

- Insérez la barre de verrouillage fournie dans le mécanisme du verrou situé dans la face de la laveuse. Retirez l'assemblage de verrou en retirant ses deux vis; utilisez la barre de verrouillage pour soulever l'assemblage afin de le décrocher, puis inclinez et tirez-le à l'écart de la laveuse. Débranchez son connecteur à broches en décliquetant ses pattes de verrouillage.



- **NE faites PAS** pivoter l'assemblage de verrou. Déplacez-le du côté opposé de la laveuse et branchez le connecteur à broches en vous assurant qu'il s'insère à fond. Inclinez et insérez l'assemblage de verrou dans la face de la laveuse, soulevez-le et accrochez son crochet dans sa fenêtre. Réinstallez ses vis. Retirez la barre de verrouillage de l'assemblage et conservez-la pour usage ultérieur.



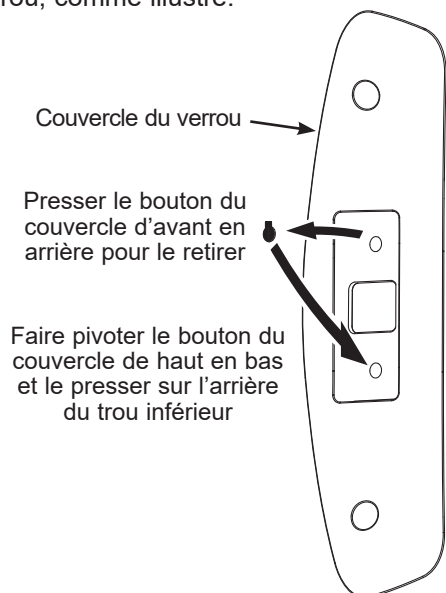
Instructions d'installation

INVERSION DE L'OUVERTURE DE LA PORTE (EN OPTION SUR CERTAINS MODÈLES UNIQUEMENT)

7 RETIREZ L'ASSEMBLAGE DE VERROU ET INSTALLEZ-LE SUR LE CÔTÉ OPPOSÉ DE LA LAVEUSE (SUITE)

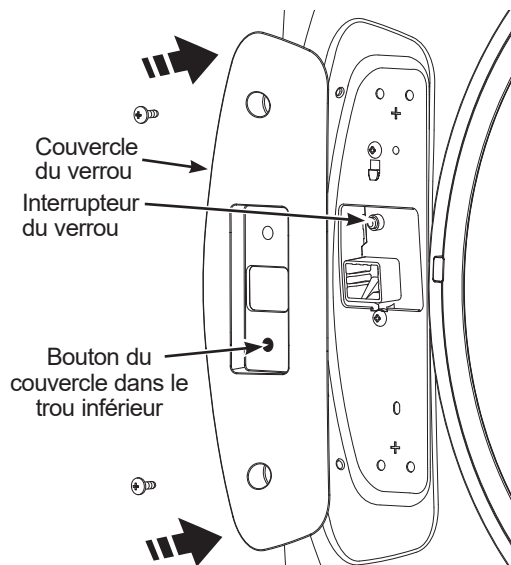
- Retirez le bouton du couvercle de l'interrupteur de verrou sur l'arrière du couvercle du verrou et replacez-le dans le trou opposé du couvercle du verrou.

REMARQUE : Le bouton du couvercle doit être réinstallé dans le trou inférieur du couvercle de verrou, comme illustré.



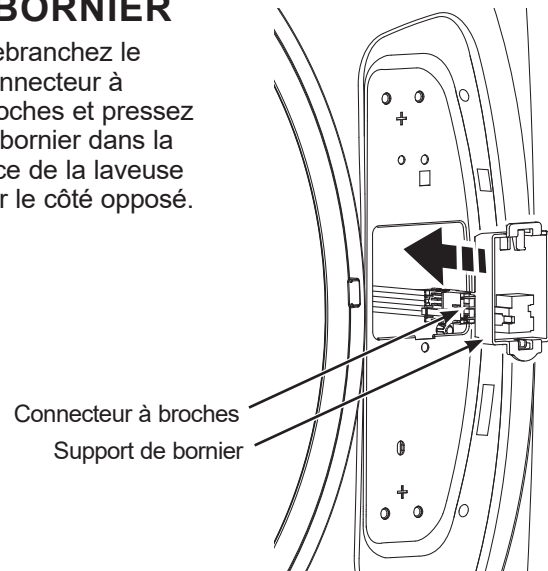
Vue du côté avant

- Installez le couvercle du verrou sur le verrou, en vous assurant que l'interrupteur du verrou bouge librement. Réinstallez ses vis.



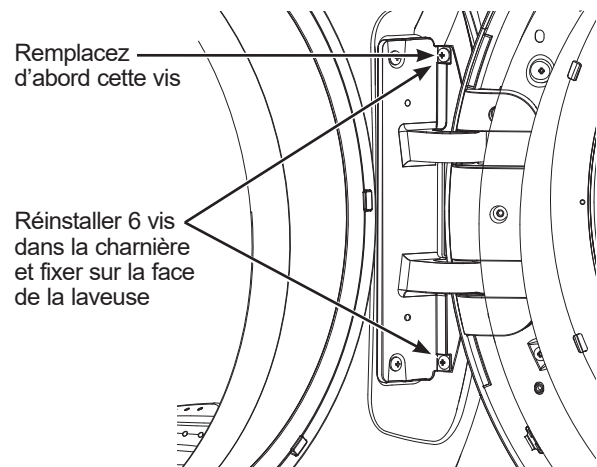
8 REBRANCHEZ LE CONNECTEUR À BROCHES DE LA LAVEUSE ET REMPLACEZ LE SUPPORT DE BORNIER

- Rebranchez le connecteur à broches et pressez le bornier dans la face de la laveuse sur le côté opposé.



9 REMPLACEZ L'ASSEMBLAGE DE PORTE

- Soulevez l'assemblage de porte en place et fixez-le sur la face de la laveuse avec ses 6 vis.



- Fermez la porte de la laveuse.

REMARQUE : Assurez-vous que la porte s'ouvre et se ferme correctement. Si ce n'est pas le cas, répétez toutes les étapes en vous assurant que toutes les pièces et vis sont solidement fixées.

- Branchez le cordon d'alimentation et réenclenchez le disjoncteur.
- Faites fonctionner la laveuse durant un cycle complet pour vérifier son bon fonctionnement.

Conseils de Dépannage...Avant d'appeler un réparateur

Il est fortement recommandé de connecter votre laveuse au réseau Wi-Fi pour télécharger le dernier logiciel, recevoir des mises à jour périodiques et bénéficier de nombreuses fonctions étendues disponibles de l'application SmartHQ. De nombreuses fonctions d'intelligence artificielle pour votre laveuse nécessitent une connexion à l'application SmartHQ. Cela peut résoudre certains problèmes énumérés ci-dessous.

Problème	Causes possibles	Correctifs
Pas de vidange Pas d'essorage Pas de culbutage	La charge est déséquilibrée	Redistribuez les vêtements et faites un Rinse & Spin (Rinçage & Essorage). Augmentez la taille de la charge si vous lavez une petite charge contenant des articles légers et lourds.
	Le filtre de la pompe à eau est peut-être bouché	Reportez-vous Entretien et nettoyage pour le nettoyage du Filtre de la pompe .
	Le tuyau de vidange est tortillé ou mal connecté	Redressez le tuyau de vidange et assurez-vous que la laveuse n'est pas dessus.
	Le siphon d'évacuation de la maison peut être bouché	Vérifiez la plomberie de la maison. Vous pouvez avoir besoin d'appeler un plombier. Assurez-vous également que le boyau de vidange n'est pas inséré à plus de 7 po dans le tuyau de vidange.
	Siphonage du tuyau de vidange; tuyau de vidange enfoncé trop bas dans le drain.	Assurez-vous qu'il y a un espace d'air entre le tuyau et le drain.
Fuite d'eau	Le joint de la porte est endommagé	Vérifiez si le joint est bien en place et s'il n'est pas déchiré. Les objets oubliés dans les poches peuvent endommager la laveuse (clous, vis, stylos, crayons). L'eau peut dégoutter de la porte lorsque celle-ci est ouverte. Il s'agit d'un fonctionnement normal. Essuyez soigneusement le joint de porte en caoutchouc. Parfois de la saleté ou des vêtements coincés dans le joint peuvent causer une petite fuite.
	Vérifiez la présence d'eau à la partie arrière gauche de la laveuse	Si cette partie est mouillée, cela indique la présence d'un surplus de mousse savonneuse. Utilisez moins de détergent.
	Les tuyaux d'entrée de l'eau ou le tuyau de vidange ne sont pas bien branchés	Assurez-vous que les tuyaux soient bien branchés au niveau des robinets et la laveuse et assurez-vous que le tuyau de vidange soit bien inséré et fixé à l'installation de vidange.
	La vidange de la maison est peut-être bloquée	Vérifiez la plomberie de la maison. Il est possible que vous ayez besoin d'appeler un plombier.
	Distributeur colmaté	Le savon en poudre peut causer des colmatages à l'intérieur du distributeur et causer une fuite d'eau à l'avant du distributeur. Retirez le tiroir et nettoyez le tiroir et l'intérieur de la boîte de distributeur. Les sachets de détergent ne doivent pas être utilisés dans le distributeur. Ils doivent être ajoutés directement dans le panier de lavage conformément aux directives du fabricant. Reportez-vous à la section Entretien et nettoyage .
	Utilisation incorrecte de détergent	Utilisez du détergent HE uniquement et en bonne quantité.
	Compartiment de distributeur fissuré	Dans le cas de nouvelle installation, recherchez les fissures sur l'intérieur du distributeur.
	Vêtements trop mouillés	Redistribuez les vêtements et faites un Rinse & Spin . Augmentez la taille de la charge si vous lavez une petite charge contenant des articles légers et lourds. La machine ralentit la vitesse d'essorage à 410 tr/min si elle a du mal à équilibrer la charge. Cette vitesse est normale.
Le filtre de la pompe à eau est peut-être bouché	Reportez-vous Entretien et nettoyage pour le nettoyage du Filtre de la pompe .	
Surcharge	Le poids à sec de la charge doit être inférieur à 16 lbs.	
Le tuyau de vidange est tortillé ou mal connecté	Redressez le tuyau de vidange et assurez-vous que la laveuse n'est pas dessus.	
Le siphon d'évacuation de la maison peut être bouché	Vérifiez la plomberie de la maison. Vous pouvez avoir besoin d'appeler un plombier.	
Siphonage du tuyau de vidange; tuyau de vidange enfoncé trop bas dans le drain.	Assurez-vous qu'il y a un espace d'air entre le tuyau et le drain. Assurez-vous également que le boyau de vidange n'est pas inséré à plus de 7 po dans le tuyau de vidange.	

Conseils de Dépannage...Avant d'appeler un réparateur

Problème	Causes possibles	Correctifs
Cycle incomplet ou minuterie arrêtée	Redistribution automatique de la charge	La minuterie ajoute jusqu'à 3 minutes à un cycle pour chaque rééquilibrage. 11 ou 15 rééquilibrages peuvent être effectués. C'est un fonctionnement normal. Ne faites rien, la machine terminera le cycle de lavage.
	Le filtre de la pompe à eau est peut-être bouché	Reportez-vous Entretien et nettoyage pour le nettoyage du Filtre de la pompe .
	Le tuyau de vidange est tortillé ou mal connecté	Redressez le tuyau de vidange et assurez-vous que la laveuse n'est pas dessus.
	Le siphon d'évacuation de la maison peut être bouché	Vérifiez la plomberie de la maison. Vous pouvez avoir besoin d'appeler un plombier.
	Siphonage du tuyau de vidange; tuyau de vidange enfoncé trop bas dans le drain.	Assurez-vous qu'il y a un espace d'air entre le tuyau et le drain.
Secousses, vibrations ou bruits forts ou inhabituels	Déplacement d'armoire	La laveuse est conçue pour bouger de 6 mm pour réduire les forces transmises au sol. Ce mouvement est normal.
	Tous les pieds de mise à niveau en caoutchouc ne touchent pas fermement le sol	Poussez tirez sur l'arrière droit puis sur l'arrière gauche de la laveuse pour vérifier qu'elle est de niveau. Si elle ne l'est pas, réglez les pieds de mise à niveau en caoutchouc pour qu'ils touchent fermement le sol et qu'ils se bloquent en place.
	Charge déséquilibrée	Mettez l'appareil en pause, ouvrez la porte et redistribuez manuellement la charge. Pour inspecter la machine, exécutez un rinçage et un essorage à vide. Si tout est normal, le déséquilibre était causé par la charge.
	Le filtre de la pompe à eau est peut-être bouché	Reportez-vous Entretien et nettoyage pour le nettoyage du Filtre de la pompe .
Pas de puissance/ la laveuse ne fonctionne pas ou semble hors tension	La laveuse est débranchée	Assurez-vous que le cordon est bien branché dans une prise sous tension.
	L'arrivée d'eau est coupée	Ouvrez à fond les robinets d'eau chaude et d'eau froide
	Le disjoncteur est déclenché/le fusible a sauté	Inspectez les disjoncteurs/fusibles de la maison. Remplacez les fusibles ou réarmez le disjoncteur. La laveuse doit présenter une prise distincte.
	Vérifications automatiques du système	La première fois que la laveuse est branchée, des vérifications automatiques se produisent. Il peut être nécessaire d'attendre 20 secondes avant de pouvoir utiliser la laveuse. C'est un fonctionnement normal.
« H2O SUPPLY » apparaît sur l'afficheur	L'eau n'entre pas dans la laveuse	Consultez la section Indicateur d'aide au consommateur pour obtenir les détails.
« CANCELED » apparaît sur l'afficheur	La laveuse est en pause ou arrêtée	Consultez la section Indicateur d'aide au consommateur pour obtenir les détails.
« door » apparaît sur l'afficheur	La porte est mal fermée ou 3 cycles ont commencé sans avoir ouvert le porte entre chacun d'eux	Consultez la section Indicateur d'aide au consommateur pour obtenir les détails.
Accrocs, trous, déchirures, ou usure excessive	Surcharge	Ne dépassez pas les tailles de charge maximum recommandées Reportez-vous aux tailles de charge maximum recommandées dans la section Chargement .
	Stylos, crayons, clous, vis ou autres objets égarés dans les poches	Retirez les objets égarés dans les poches.
	Aiguilles, boutons pressions, agrafes, boutons à bord vif, boucles de ceinture, fermetures à glissière et objets à bord vif égarés dans les poches	Fermez les boutons pressions, agrafes, boutons et fermetures à glissière
Temps de contrôle incorrect ou variations	C'est normal.	Pendant l'essorage, la laveuse peut avoir besoin de rééquilibrer la charge parfois pour réduire les vibrations. Lorsque cela se produit, le temps estimé est augmenté, ce qui cause une augmentation du temps qui reste.

Conseils de Dépannage...Avant d'appeler un réparateur

Problème	Causes possibles	Correctifs
Pas assez d'eau	C'est normal.	Les laveuses horizontales ne nécessitent pas que la cuve se remplisse d'eau contrairement aux laveuses à charge par le haut
La laveuse fait une pause ou doit être redémarrée ou la porte de la laveuse est verrouillée et ne s'ouvre pas	Le filtre de la pompe à eau est peut-être bouché	Reportez-vous Entretien et nettoyage pour le nettoyage du Filtre de la pompe .
La porte se débloque ou la machine ne fonctionne pas lorsque vous appuyez sur Start	C'est normal.	Les laveuses à chargement frontal démarrent différemment de celles à chargement par le haut, et il faut plusieurs secondes pour vérifier le système. La porte se verrouille et se déverrouille
	Fonctionnement incorrect	Ouvrez et fermez simplement la porte fermement, puis appuyez sur Start (Marche).
	Verrouillage des commandes activé	Appuyez sur le bouton Control Lock (Verrouillage de contrôle) bouton et tenez-la appuyée pendant 3 secondes.
L'eau ne rentre pas dans la laveuse ou entre lentement	Vérifications automatiques du système	Une fois Start (Marche) appuyé, la laveuse fait plusieurs vérifications du système. L'eau coule plusieurs secondes après que Start (Marche) soit appuyé
	Les tamis de vanne d'eau sont colmatés	Coupez l'arrivée d'eau et retirez les tuyaux de connexion d'eau en haut à l'arrière de la laveuse. Utilisez une brosse ou un cure-dent pour nettoyer les tamis dans la machine. Reconnectez les tuyaux et rouvrez l'arrivée d'eau.
	Les rondelles à grille de l'admission d'eau sont bloqués	Fermez l'eau et enlevez les tuyaux d'admission des robinets muraux. Utilisez une brosse ou un cure-dent pour nettoyer les rondelles à grille au bout des tuyaux. Reconnectez les tuyaux et ouvrez l'eau.
	Le filtre de la pompe à eau est peut-être bouché	Reportez-vous Entretien et nettoyage pour le nettoyage du Filtre de la pompe .
	Tuyaux de remplissage pliés	Vérifiez que les tuyaux de remplissage ne sont pas pliés ni bouchés.
	L'arrivée d'eau est coupée	Ouvrez à fond les robinets d'eau chaude et d'eau froide.
	Efficacité énergétique	Comme cette laveuse est éconergétique, ses réglages de température peuvent différer par rapport à une laveuse qui ne l'est pas.
	Alimentation d'eau insuffisante	Assurez-vous que l'alimentation d'eau est ouverte et que les robinets d'eau sont tournés à la position d'ouverture maximale.
	La porte de la laveuse est ouverte	La porte de la laveuse doit être fermée pendant tous les cycles de lavage. Si la porte est ouverte pendant un cycle de lavage, toutes les fonctions s'arrêteront, y compris le remplissage d'eau.
	Raccordement de tuyaux de remplissage incorrect	Vérifiez que les tuyaux de remplissage relient l'alimentation d'eau chaude à l'entrée d'eau chaude de la laveuse et l'alimentation d'eau froide à l'entrée d'eau froide de la laveuse (chaude avec chaude, froide avec froide).
Froissement	Tri incorrect	Évitez de mélanger des articles lourds (comme des vêtements de travail) avec des articles légers (comme des chemisiers).
	Surcharge	Chargez la laveuse pour que les vêtements aient assez de place pour bouger librement.
	Cycle de lavage incorrect	Assortissez la sélection de cycle au type de tissus que vous lavez (surtout pour les charges à entretien facile).
	Lavage répété dans de l'eau trop chaude	Lavez dans l'eau froide ou chaude.

Conseils de Dépannage...Avant d'appeler un réparateur

Problème	Causes possibles	Correctifs	
Vêtements grisâtres ou jaunâtres	Pas assez de détergent	Utilisez la bonne quantité de détergent.	
	Détergent utilisé pas HE (haute efficacité)	Utilisez du détergent HE uniquement.	
	Eau calcaire		Utilisez l'eau la plus chaude possible pour le tissu.
			Utilisez un conditionneur d'eau comme la marque Calgon ou installez un adoucisseur d'eau.
	L'eau n'est pas assez chaude	Assurez-vous que le chauffe-eau distribue de l'eau entre 48 et 60°C.	
	Le détergent ne se dissout pas ou trop grande quantité d'assouplissant	Essayez un HE détergent liquide. Utilisez moins d'assouplissant.	
Transfert de colorant	Triez les vêtements par couleur. Si l'étiquette du vêtement indique de laver séparément, cela peut indiquer des colorants instables.		
Taches colorées	Utilisation incorrecte d'assouplisseur	Inspectez le sachet d'assouplisseur de tissu pour des instructions et suivez les directives d'utilisation du distributeur.	
	Transfert de colorant	Séparez le blanc et les couleurs claires des couleurs foncées.	
		Sortez rapidement le linge de la laveuse.	
La température de l'eau est incorrecte	L'arrivée d'eau est mal connectée	Assurez-vous que les tuyaux sont connectés aux bons robinets.	
	Le chauffe-eau de la maison est mal réglé	Assurez-vous que le chauffe-eau distribue de l'eau entre 48 et 60°C. (CHAUDE avec CHAUDE et FROIDE avec FROIDE).	
Odeur désagréable dans la laveuse	Laveuse inutilisée pendant longtemps, pas d'utilisation du détergent HE de la qualité recommandée ou utilisation d'une quantité excessive de détergent	Utilisez régulièrement ULTRAFRESH VENT entre les lavages.	
		En cas d'odeur forte, vous devrez peut-être exécuter le cycle Self Clean (Autonettoyage) plus d'une fois.	
		Utilisez uniquement la quantité de détergent recommandée ou réglez SmartDispense à LOW .	
		Utilisez uniquement du détergent HE (haute efficacité)	
		Retirez toujours rapidement les vêtements humides de la laveuse après arrêt de la machine ou utiliser 1 Step Wash + Dry ou Tumble Care .	
		Si vous choisissez de ne pas utiliser le système ULTRAFRESH VENT , laissez la porte légèrement ouverte pour sécher la laveuse à l'air. Une surveillance étroite est requise pour tout appareil utilisé par des enfants ou à leur proximité. NE laissez pas les enfants jouer sur ou à l'intérieur de cet appareil.	
	La présence de peluche résiduelle et d'autres matières dans le filtre de la pompe doivent être nettoyés.	Reportez-vous Entretien et nettoyage pour le nettoyage du Filtre de la pompe .	
Tuyau de vidange enfoncé trop bas dans le drain	Voir la section Instructions d'installation pour une installation correcte.		
Fuite de détergent	C'est normal	Il est normal de voir le détergent fuir sur le joint de la porte environ 20 secondes après remplissage du distributeur.	
Distribution incorrecte de l'assouplisseur ou de l'agent blanchissant	Distributeur colmaté	Nettoyez une fois par mois le tiroir distributeur pour retirer les dépôts de produits chimiques.	
	Assouplisseur ou agent blanchissant au-dessus du trait max	Assurez-vous de mettre la bonne quantité d'assouplisseur.	
Le tiroir distributeur ne distribue pas correctement	Sachet de détersif placé dans le tiroir distributeur	Les sachets de détersif ne doivent pas être utilisés dans le distributeur. Ils doivent être ajoutés directement dans le panier de lavage conformément aux directives du fabricant.	
La pompe fonctionne alors que la laveuse n'est pas utilisée	Obstruction dans le drain de puisard	Ce phénomène est normal. Le puisard détecte un niveau d'eau indésirable causé probablement par un robinet ouvert. Fermez la vanne d'eau et vérifiez si elle reste bloquée. Assurez-vous que vous avez les dernières mises à jour de l'application SmartHQ pour votre laveuse.	

Garantie limitée de la laveuse GE Appliances

GARANTIE LIMITÉE

www.electromenagersge.ca

Toutes les réparations sous garantie limitée seront effectuées par nos centres de réparation ou nos réparateurs autorisés. Pour planifier un service en ligne, rendez-vous sur Electromenagersge.ca/fr/soutien/demande-de-service ou appelez le **800.561.3344**. Veuillez fournir le numéro de série et le numéro de modèle lorsque vous appelez pour obtenir le service.

Pour le diagnostic, la réparation de votre appareil peut nécessiter l'utilisation du port de données embarqué. Celui-ci permet au technicien de réparation GE Appliances de diagnostiquer rapidement des problèmes avec votre appareil. Il permet également à GE Appliances d'améliorer ses produits en fournissant à ces derniers des informations sur votre appareil. Si vous ne voulez pas que les données de votre appareil soient envoyées à GE Appliances, veuillez demander à votre technicien de NE PAS soumettre les données à GE Appliances pendant la réparation.

Pendant la période de :	Nous remplacerons :
Un an À compter de la date d'achat d'origine	Toute pièce défectueuse en raison d'un vice de matériau ou de fabrication. Au cours de cette garantie limitée d'un an , nous fournirons également, sans frais , les pièces et la main-d'œuvre pour remplacer la pièce défectueuse.
Dix ans À compter de la date d'achat d'origine	Le moteur , si celui-ci se révèle défectueux en raison d'un vice de matériaux ou de fabrication. Pendant cette garantie limitée complémentaire de neuf ans , vous serez responsable des frais de main-d'œuvre et de service associés.

Ce qui n'est pas couvert :

- Toute visite à votre domicile pour vous expliquer le fonctionnement de l'appareil.
- L'installation, la livraison ou l'entretien inadéquats de l'appareil.
- Toute défectuosité du produit attribuable à une utilisation abusive ou inadéquate, s'il a été utilisé à toute autre fin que celle pour laquelle il a été conçu, ou s'il a été utilisé à des fins commerciales.
- Le remplacement des fusibles ou le réenclenchement des disjoncteurs de votre domicile.
- Les produits qui ne sont pas défectueux ou brisés, ou qui fonctionnent tel que décrit dans le Manuel de l'utilisateur.
- Tout dommage au produit attribuable à un accident, un incendie, une inondation ou une catastrophe naturelle.
- Tout dommage accessoire ou indirect, causé par des défaillances possibles de l'appareil.
- Les défectuosités ou les dommages causés par une utilisation de l'appareil à des températures situées sous le point de congélation.
- Tout dommage causé après la livraison.
- Tout produit auquel il n'est pas possible d'accéder pour effectuer les réparations nécessaires.

EXCLUSION DES GARANTIES IMPLICITES :

Votre seul et unique recours est de faire réparer le produit dans le cadre de cette garantie limitée. Toute garantie implicite, incluant la garantie de qualité marchande ou d'adaptabilité du produit à un usage particulier, est limitée à un an ou à la période la plus courte autorisée par la loi.

Cette garantie limitée est offerte à l'acheteur initial, ainsi qu'à tout propriétaire subséquent d'un produit acheté au Canada en vue d'une utilisation domestique au Canada. Si le produit se situe dans une zone où aucun réparateur agréé par GE Appliances n'est disponible, vous devrez peut-être assumer les frais de déplacement de celui-ci ou apporter le produit à un atelier de réparation agréé par GE Appliances.

Dans certains États ou province, il est interdit d'exclure ou de limiter les dommages indirects ou accessoires. Il est alors possible que les limitations ou exclusions ci-dessus ne s'appliquent pas dans votre cas. La présente garantie limitée vous confère des droits juridiques spécifiques. Vous pouvez bénéficier d'autres droits, qui varient d'un État ou d'une province à l'autre. Pour connaître les droits dont vous bénéficiez, communiquez avec le bureau des Relations avec les consommateurs de votre région ou de votre province.

Garant : MC Commercial Inc., Burlington, ON, L7R 5B6

Agrafez le reçu d'achat ici. Pour obtenir le service sous garantie, vous devrez fournir la preuve de l'achat original.

Soutien au consommateur

Site Web de GE Appliances

Vous avez une question ou vous avez besoin d'aide pour votre appareil électroménager? Visitez le site Web de GE Appliances 24 heures par jour, tous les jours de l'année! Vous pouvez aussi y trouver d'autres formidables produits GE Appliances et tirer avantage de tous nos services d'assistance en ligne. Au Canada : **ElectromenagersGE.ca/fr**

Enregistrez votre électroménager

Enregistrez votre nouvel appareil en ligne au moment qui vous convient le mieux! L'enregistrement de votre produit dans les délais prescrits permet une meilleure communication et un service rapide, selon les modalités de votre garantie, si besoin est. Vous pouvez également envoyer par courrier la carte d'enregistrement pré-imprimée qui se trouve dans l'emballage de votre appareil.

Au Canada : **electromenagersge.ca/soutien-apres-vente**

Service de réparation

Un service de réparation expert GE Appliances se trouve à quelques pas de chez vous. Rendez-vous sur notre site et programmez, à votre convenance, une visite de réparation à n'importe quel jour de l'année.

Au Canada : **electromenagersge.ca/soutien-apres-vente** ou composez le 800.561.3344

Prolongation de garantie

Procurez-vous une prolongation de garantie GE Appliances et informez-vous des rabais spéciaux en vigueur pendant la durée de votre garantie. Vous pouvez vous la procurer en ligne en tout temps. Les services GE Appliances seront toujours disponibles après l'expiration de la garantie.

Au Canada : **electromenagersge.ca/achat-dune-garantie-prolongee** ou composez le 866.277.9842.

Connectivité à distance

Pour de l'assistance concernant la connectivité au réseau sans fil (pour les modèles équipés de cette fonction), visitez notre site Web au **electromenagersge.ca/connected-appliances** ou composez le 800.220.6899.

Pièces et accessoires

Les personnes ayant les compétences requises pour réparer elles-mêmes leurs appareils peuvent recevoir directement à la maison des pièces ou accessoires (les cartes VISA, MasterCard et Discover sont acceptées). Commandez en ligne 24 heures par jour.

Au Canada : **electromenagersge.ca/pièces-filtres-et-accessoires** ou composer le 800.661.1616.

Les instructions contenues dans le présent manuel comportent des procédures que tout utilisateur peut effectuer. Les autres types de réparation doivent généralement être confiés à un technicien qualifié. Utilisez de prudence : une réparation ou un entretien mal effectués peuvent rendre l'utilisation de l'appareil dangereuse.

Communiquez avec nous

Si vous n'êtes pas satisfait du service après-vente de GE Appliances, communiquez avec nous depuis notre site Web en fournissant tous les détails dont votre numéro de téléphone, ou écrivez à :

Au Canada : Director, Customer Relations | MC Commercial Inc. | Suite 300, 5420 North Service Road | Burlington, ON L7L 6C7
electromenagersge.ca/contactez-nous ou composer le 877.994.5366

Guía del Propietario e Instrucciones de Instalación

Este manual contiene las Instrucciones de Instalación. Siga estas instrucciones en su totalidad.
CONOZCA MÁS - Este electrodoméstico viene con esta Guía del Propietario condensada. El Manual del Propietario completo para su modelo lo podrá encontrar a través del Internet escaneando el código, o visitando:
<https://www.geappliances.com/ge/service-and-support/literature.htm>



INFORMACIÓN IMPORTANTE DE SEGURIDAD LEA TODAS LAS INSTRUCCIONES ANTES DE USAR

⚠ ADVERTENCIA Para reducir el riesgo de muerte, incendio, explosión, descargas eléctricas o lesiones sobre las personas al usar su electrodoméstico, siga las precauciones básicas, incluyendo lo siguiente:

- Lea todas las instrucciones antes de usar este electrodoméstico.
- Siga todas las instrucciones y advertencias de cuidado de tejidos para evitar el derretimiento de las prendas o daños al aparato.
- **NO** lave ni seque prendas que en forma previa hayan sido secadas, lavadas, mojadas o manchadas con gasolina, solventes de limpieza en seco, u otras sustancias inflamables o explosivas, ya que despiden vapores que se podrían encender o explotar.
- **NO** agregue gasolina, solventes de limpieza en seco, u otras sustancias inflamables o explosivas al agua de lavado. Estas sustancias despiden vapores que se podrían prender fuego o explotar.
- Bajo ciertas condiciones, se podrá producir gas de hidrógeno en un sistema de agua caliente que no fue usado por 2 semanas o más. **EL GAS DE HIDRÓGENO ES UN EXPLOSIVO**. Si el sistema de agua caliente no fue usado por dicho período, antes de usar una lavadora, abra todos los grifos de agua caliente y deje que corra agua de cada uno durante varios minutos. Esto liberará cualquier gas de hidrógeno acumulado. Debido a que el gas es inflamable, **NO** fume ni use una llama abierta durante este proceso.
- **NO** permita que los niños jueguen sobre o dentro de este electrodoméstico. Cuando el electrodoméstico se use cerca de niños, será necesario supervisarlos de cerca. Antes de dejar la lavadora fuera de servicio o de deshacerse de ésta, quite la puerta o la tapa. Si no se siguen estas instrucciones, se podrá producir la muerte o lesiones personales.
- **NO** introduzca las manos en el electrodoméstico si el tambor o agitador se encuentra en movimiento a fin de evitar enredos accidentales.
- **NO** instale ni guarde este electrodoméstico donde quede expuesto a los factores climáticos.
- **NO** manipule indebidamente los controles, reparar ni reemplazar cualquier parte del electrodoméstico o realizar cualquier otro trabajo técnico, a menos que esto sea específicamente recomendado en las instrucciones de mantenimiento del usuario o en instrucciones publicadas sobre reparaciones del usuario, que entienda y para las cuales posea las destrezas necesarias.
- **NO** se trepe ni se pare sobre la unidad.
- **NO** intente usar este electrodoméstico si se encuentra dañado, funcionando mal, parcialmente desensamblado, o si tiene partes faltantes o rotas, incluyendo un cable o enchufe dañado.
- Desenchufe el electrodoméstico o apague el disyuntor antes de realizar el servicio técnico. Presionar el botón **Power** (Encendido) **NO** desconecta el encendido.
- Para acceder a las instrucciones de conexión a tierra, lea los "REQUISITOS ELÉCTRICOS" ubicados en las Instrucciones de Instalación.
- **NO** utilice piezas de reemplazo que no hayan sido recomendadas por el fabricante. (Por ejemplo: piezas hechas en casa usando una impresora 3D).

Forma adecuada de descartar su electrodoméstico

- Descarte o recicle su electrodoméstico de acuerdo con las Regulaciones Federales y Locales. Comuníquese con las autoridades locales para descartar o reciclar su electrodoméstico de forma ambientalmente segura.

LEA Y GUARDE ESTAS INSTRUCCIONES

INFORMACIÓN IMPORTANTE DE SEGURIDAD LEA TODAS LAS INSTRUCCIONES ANTES DE USAR

INSTALACIÓN CORRECTA

La lavadora se debe instalar y colocar correctamente de acuerdo con las instrucciones de instalación, antes de utilizarla.

- Asegúrese de que la manguera de agua caliente esté conectada a la válvula "H" y que la manguera de agua fría esté conectada a la válvula "C".
- Instale o almacene la lavadora en un lugar donde no esté expuesta a temperaturas bajo cero ni a las inclemencias climáticas, ya que esto puede provocar daños irreversibles e invalidar la garantía.
- Conecte correctamente a tierra la lavadora de conformidad con todos los códigos y ordenanzas regulatorias. Siga la información de Instrucciones de instalación.
- Asegúrese de que la lavadora esté correctamente nivelada y que sus patas estén ajustadas de modo que la unidad se encuentre estable.
- Se recomienda una extensión opcional de la manguera de drenaje para descargas en alturas de 60" a 96".
- GE Appliances recomienda enfáticamente el uso de piezas especificadas de fábrica. A continuación se encuentra una lista de mangueras de fábrica disponibles para la compra. Estas mangueras están fabricadas y probadas para cumplir con las especificaciones de GE Appliances.
- GE Appliances recomienda enfáticamente el uso de mangueras nuevas de suministro de agua. Las mangueras se desgastan con el tiempo y deben reemplazarse cada 5 años para reducir el riesgo de fallas en las mangueras y daños provocados por el agua.
- Tenga en cuenta las opciones de reciclaje del material de embalaje de su electrodoméstico.

SECUENCIA AUTOMÁTICA DE DRENAJE

- La lavadora se vacía automáticamente cada vez que la puerta se queda abierta durante más de 15 minutos y hay agua.
- La máquina se drenará automáticamente si se deja en estado de pausa con la puerta cerrada durante más de 24 horas y hay agua presente.

CUANDO NO ESTÉ EN USO

- Cierre las llaves de paso minimizar las fugas en caso de que se produzca una rotura o grieta. Compruebe el estado de las mangueras de llenado; GE Appliances recomienda el cambio de las mangueras cada 5 años.

PIEZAS Y ACCESORIOS

Solicítelos on-line hoy mismo a GEApplianceparts.com, las 24 horas del día o por teléfono al **877.959.8688** en horario normal de trabajo.

Número de Pieza	Accesorio
WX14X10011	Mangueras para lavadora de 6 pies de acero inoxidable con codos de 90°; 2 unidades
WH49X316	Kit de extensión de manguera de desagüe para lavadora - Aprox. 44"
WX10X10011	Limpiador Tide® para lavadoras*
PM7X2	Bandeja de piso para lavadora de escala reducida universal
GFA28KITN	Kit de Soporte para Apilar (para apilar la secadora en la parte superior)
GFP1528S	Pedestal de 28" de ancho con cajón – Blanco
GFP1528P	Pedestal de 28" de ancho con cajón – Colores
GFR0728S	Elevador de 28" de ancho sin cajón – Blanco
GFR0728P	Elevador de 28 "de ancho sin cajón – Colores

*Tide® es una marca registrada de Procter & Gamble.

LEA Y GUARDE ESTAS INSTRUCCIONES

Usar la lavadora

⚠️ ADVERTENCIA Para reducir el riesgo de incendios, descargas eléctricas o heridas, lea las **INFORMACIÓN IMPORTANTE DE SEGURIDAD** antes de utilizar este electrodoméstico.

Es posible que las funciones y apariencias varíen con relación a su modelo a lo largo del manual.

Inicio rápido:

Paso 1

Cargue la ropa en la lavadora y cierre la puerta.



Paso 2

Si la pantalla se encuentra oscura, presione el botón Power (encendido/apagado) o gire la perilla para “despertar” la pantalla.



Paso 3

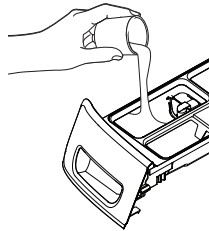
Gire la perilla hasta el ciclo deseado.



(Las opciones de los ciclos varían de acuerdo al modelo)

Paso 4

Abra el dispensador y agregue detergente, blanqueador y suavizante para tela, según lo desee. Los modelos con SmartDispense™ sólo requieren que seleccione la tecla SmartDispense (Dispensado Inteligente) una vez que el tanque se encuentre lleno.



Paso 5

Presione Start (Inicio) para comenzar el ciclo de lavado.

La máquina pesará la ropa y agregará la cantidad de agua correspondiente. Una vez finalizado el ciclo de lavado, la puerta se destrabará.



Paso 6 (en algunos modelos)

Una vez completado el ciclo de lavado y que la ropa haya sido descargada, seleccione ULTRAFRESH VENT™ para ayudar a eliminar el exceso de humedad en su lavadora, de modo que pueda cerrar la puerta.



Pantalla y las luces de estatus

(Las características y apariencia variarán)



En algunos modelos, presione para “activar” la pantalla. Si la pantalla está activa, púselo para poner la lavadora en modo de espera.

NOTA: El tiempo del ciclo es afectado por el tiempo que toma llenar la lavadora. Esto depende de la presión del agua en su hogar. El temporizador “inteligente” “registra” la cantidad de tiempo que tarda en llenarse la lavadora y ajusta el tiempo total de forma consecuente.

En algunos modelos, si un problema de desbalance es detectado por la lavadora, la luz de **Spin** de estado de centrifugado o luz de **Spin** selección de opción de centrifugado titilará durante la parte restante del ciclo y permanecerá iluminada durante un período de tiempo corto luego de que se complete el ciclo. Cuando esto sucede, la lavadora está realizando acciones para corregir el problema de desbalance y completar el ciclo normalmente. En algunos casos, es posible que la lavadora no logre equilibrar la carga y que gire a toda velocidad. Si observa que la carga está más mojada que lo habitual al finalizar el ciclo, redistribuya la carga de forma pareja en el tubo de la lavadora y haga correr un ciclo de **Rinse & Spin** (Enjuague & Centrifugado).

Además, esta pantalla mostrará:

(WiFi) (en algunos modelos)	Permitirá a tu aparato comunicarse con su teléfono celular por control remoto y recibir notificaciones. Permanecerá encendido siempre que la lavadora esté encendida y que éste sea conectado. Parpadeará durante el proceso de puesta en marcha o si pierde conexión con la red.
Venting (en algunos modelos)	La ventilación parpadeará para indicar que usted seleccionó la función ULTRAFRESH VENT (Ventilación Ultra Fresca) al final del ciclo. Luego permanecerá iluminada una vez seleccionada hasta haber completado la ventilación.
Control	Los controles de la lavadora están bloqueados cuando esté ícono se ilumina. Se deberá mantener presionada la tecla Control Lock (Bloqueo del Control) para desbloquear los controles.
Door	Este ícono se iluminará mientras la puerta es bloqueada y parpadeará mientras la lavadora se encuentre en el proceso de pausa y luego de desbloqueo.
(en algunos modelos)	Este ícono se iluminará cuando las funciones de Smart AI (Inteligencia Artificial Inteligente) de la lavadora estén activas.
Auto, More, Less (en algunos modelos)	SmartDispense (Dispensado Inteligente) agregará una dosis de detergente de forma automática, de acuerdo con el peso y el nivel de suciedad de la ropa. Usted puede ajustar esta función para una dosis de un MÁS o un MENOS de detergente o para APAGAR de forma manual la dosis de detergente.
Tank Low (en algunos modelos)	Al inicio, la unidad muestra el número estimado de cargas de lavado restantes para la cantidad de detergente en el tanque SmartDispense. Típicamente, las primeras luces se encienden cuando hay aproximadamente entre 8 y 10 cargas de detergente restantes.
Loads Left (en algunos modelos)	Exhibe el número estimado de cargas de lavado restantes en relación a la cantidad de detergente que hay en el tanque del dispensador inteligente.
Delay (en algunos modelos)	Al seleccionar un inicio con retraso de su lavadora, esto será indicado por una luz junto a la tecla o con la palabra “Delay” (Retraso) en el centro de la ventana de opciones. La pantalla también mostrará la cuenta regresiva en horas hasta que el ciclo comience.

Usar la lavadora

A Power (Encendido/Apagado)

Presione para “activar” la pantalla. Si la pantalla está activa, púselo para poner la lavadora en modo de espera “Off” (Apagado).

NOTA: Presionar **Power** (Encendido) no desconecta el electrodoméstico del suministro de corriente.

B Start and Pause (Inicio y Pausa)

Pulse este botón para iniciar un ciclo de lavado. Si la lavadora está en funcionamiento, al pulsarlo una vez, la lavadora se detendrá y se desbloqueará la puerta. La puerta tardará unos segundos en destrabarse después de presionar **Pause** (Pausa). Vuelva a pulsar el botón para reiniciar el ciclo de lavado.

NOTA: Si la lavadora está detenida y el ciclo no se reinicia en 15 minutos, se cancelará el ciclo de lavado actual.

NOTA: La lavadora realiza revisiones automáticas del sistema después de presionar el botón **Start** (Inicio). El flujo de agua se iniciará en 45 segundos o antes. Podrá escuchar la puerta al trabarse y destrabarse y la bomba se activa antes de que comience a fluir el agua.

C Ciclos de lavado

Los ciclos se han optimizado para tipos específicos de cargas. El siguiente cuadro le ayudará a encontrar la mejor combinación entre las prendas que serán lavadas y las mejores configuraciones de ciclos. Para un rendimiento óptimo, seleccione el ciclo más conveniente para las prendas que serán lavadas. **Delay Start/Remote Start** está disponible en todos los ciclos.

Ciclo	Artículos Recomendados
Normal	Ciclo para uso normal, regular o típico para lavar hasta una carga completa de ropa de algodón con suciedad normal.
Delicates (Delicadas)	Lencería y telas que requieren cuidado especial con poca suciedad.
Towels (Toallas)	Toallas, sábanas, fundas de almohadas y paños de cocina.
Bulky Bedding (Ropa de Cama Voluminosa)	Comforters, abrigos de cama grandes, colchas, fundas de colchones, bolsas de dormir e ítems voluminosos similares.
Sanitize+ Allergen* (Desinfección + Alérgeno)	Ítems que no destiñen que se encuentran muy sucios y es necesario desinfectarlos.
Sanitize with Oxi* (Desinfectar con Oxi)	Ítems que no destiñen y que al encontrarse muy sucios es necesario desinfectarlos.
Active Wear (Ropa Deportiva)	Ropa de uso atlético con suciedad entre media y leve de textiles técnicos o sintéticos.
Quick Cycle (Rápido Ciclo)	Para pequeñas cantidades de prendas con poca suciedad que se necesitan de forma rápida.
Whites (Blancos)	Blancos y ropa de casa.
Rinse & Spin(Enjuagar y centrifugado)	Para artículos que solo deben enjuagarse y no lavarse. Rinse & Spin (Enjuague y centrifugado) o Drain & Spin (Drenaje y centrifugado) (sin seleccionar el ciclo de Extra Rinse (Enjuague extra). Siempre se realiza el centrifugado, a menos que seleccione No Spin (Desactivar centrifugado).
Cold Wash (Lavado en Frío)	Ciclo para uso normal, regular o típico para lavar hasta una carga completa de ropa de algodón con suciedad normal utilizando solo agua fría mientras proporciona un rendimiento equivalente al del lavado Normal Warm (Normal tibio).
Downloaded	Use la aplicación SmartHQ para descargar un ciclo especializado para su lavadora.
Power Clean (Limpieza Potente)	Para artículos muy sucios que requieren más potencia de limpieza.
Heavy Duty* (Tarea pesada)	Para lavar prendas resistentes que no destiñen y que se encuentren muy sucias utilizando los movimientos de lavado y enjuague extendidos para contar con limpieza adicional.
Jeans	Jeans con suciedad media a ligera.
Swim Wear (Swim Wear)	Ropa de baño con suciedad media a ligera.
Self Clean (Limpieza Automática)	Limpieza de residuos y olores de la canasta No se deberá usar este ciclo para lavar ropa.

*Es posible que algunos ciclos y opciones no estén disponibles en algunos modelos.

NOTAS:

Las temperaturas del agua del ciclo **Sanitize + Allergen** (Desinfectar + Alérgenos) NO PUEDEN ser modificadas. Este ciclo utiliza una temperatura elevada del agua y un ciclo de lavado más prolongado, a fin de matar ácaros del polvo y reducir el 99% de las bacterias que comúnmente están presentes en las telas. Se incorporó una purga de la bomba y un enjuague prolongado con el propósito de eliminar contaminantes y alérgenos, tales como la caspa de mascotas.

Las temperaturas del agua del ciclo **Sanitize With Oxi** (Desinfectar con Oxi) NO PUEDEN ser modificadas. Este ciclo, cuando es usado con un aditivo de Oxi junto con su detergente, fue diseñado para eliminar el 99% de las bacterias encontradas en la lavandería hogareña. Mida el detergente y los productos de Oxi cuidadosamente. Al usar las cantidades adecuadas para una carga grande y con mucha suciedad en lavadoras de carga frontal, siga las instrucciones de las etiquetas del detergente y del producto de Oxi. La conexión del suministro de agua caliente de la lavadora deberá brindar un mínimo de 120°F para asegurar la efectividad de este ciclo.

Sólo los ciclos **SANITIZE + Allergen** (Desinfectar + Alérgeno) y **SANITIZE With Oxi** (Desinfectar con Oxi) fueron diseñados para reunir los requisitos de efectividad sobre la desinfección.

Usar la lavadora

Ciclos de lavado - Continuado

Los ciclos se han optimizado para tipos específicos de cargas. El siguiente cuadro le ayudará a encontrar la mejor combinación entre las prendas que serán lavadas y las mejores configuraciones de ciclos. Para un rendimiento óptimo, seleccione el ciclo más conveniente para las prendas que serán lavadas. **Delay Start/Remote Start** está disponible en todos los ciclos.

		Ciclos de lavado															
		Normal	Delicates (Delicadas)	Towels (Toallas)	Bulky Bedding (Ropa de Cama Voluminosa)	Active Wear (Ropa Deportiva)	Quick Cycle (Rápido Ciclo)	Whites (Blancos)	Rinse & Spin (Enjuague & Centrifugado)	Cold Wash (Lavado en Frío)	Heavy Duty* (Tarea pesada)	Jeans*	Swim Wear* (Ropa de baño)	Sanitize with Oxi* (Desinfectar con Oxi)	Sanitize+ Allergen* (Desinfectar + Alérgenos)	Power Clean (Limpieza Potente)	Self Clean (Limpieza Automática)
Ajustes de lavado	Nivel de suciedad																
	Extra Heavy (Muy Mucha)	•		•	•	•		•		•	•	•	•	•	•	•	•
	Heavy (Mucha)	•		•	•	•		•		•	•	•	•	•	•	•	•
	Normal (Normal)	•	•	•	•	•	•	•		•	•	•	•				•
	Light (Poca)	•	•	•	•	•	•	•		•	•	•	•				
	Extra Light (Muy poca)	•	•	•	•	•	•	•		•		•	•				
	Temperatura de lavado																
	Extra Hot (Muy caliente)	•						•						•	•		•
	Hot (Caliente)	•	•	•	•			•			•		•				•
	Warm (Tibio)	•	•	•	•	•	•	•			•	•	•				•
	Cold (Frío)	•	•	•	•	•	•	•		•	•	•	•				•
	Tap Cold (Frío de grifo)	•	•	•	•	•	•	•		•	•	•	•				•
	Selección de giro																
	Max	•		•	•			•	•	•	•	•		•	•	•	•
	High (Alto)	•		•	•			•	•	•	•	•	•	•	•	•	•
	Medium (Medio)	•	•	•	•	•	•	•	•	•	•	•	•	•	•	•	•
	Low (Bajo)		•	•	•	•	•	•	•	•	•	•	•	•	•	•	•
	No Spin (Sin centrifugado)		•			•			•				•				
	Opciones de lavado																
	Power Steam* (Energía de vapor)	•		•	•			•				•	•		•		•
	Prewash* (Prelavado) o Auto Soak* (Remojo Automático)	•	•	•	•	•		•		•	•	•	•	•	•		•
	Time Saver (Ahorro de Tiempo)	•	•	•	•	•	•	•									
	More Water (Más Agua)	0	•	•	•	•	•	•		•	•	•	•				
	Extra Rinse (Enjuague Adicional)	•	•	•	•	•	•	•	•	•	•	•	•	•	•	•	•
	Tumble Care* (Cuidado en el Giro)	•	•	•	•	•	•	•	•	•	•			•	•	•	•
	1 Step Wash + Dry (Lavado + Secado en 1 Paso)	•	•	•	•	•	•	•	•	•					•	•	•

Este ciclo es solo para la limpieza periódica de la lavadora. Consulte la sección Self Clean (Limpieza automática) para obtener más información.

• Ajuste disponible

Ajuste predeterminado de fábrica

* Disponible en los ciclos descargados.

o disponible en **WASH + DRY** (Lavado y secado), pero no para **WASH** (Lavado) solamente.

Usar la lavadora

D Configuraciones

Configuraciones individuales para el nivel de suciedad (**Level**), temperatura de agua (**Temp**) y Velocidad de centrifugado (**Spin**) se pueden configurar desde el mínimo al máximo. En general, cuanto más arriba en la columna, más energía se usará.

Soil (Suciedad)

Al cambiar el **Soil** level (Nivel de suciedad), aumenta o disminuye el tiempo de lavado con el fin de eliminar las distintas cantidades de suciedad.

Para cambiar el **Soil** level (Nivel de suciedad), pulse el botón **Soil** level (Nivel de suciedad) hasta obtener el valor deseado. Puede elegir entre los niveles de suciedad Extra Light (Muy poca), Light (Poca), Normal o Heavy (Mucha) en la mayoría de los ciclos.

Temp (Temperatura)

Ajuste este control para seleccionar la temperatura del agua adecuada para el ciclo de lavado. El agua de **AutoSoak** (Remojo Automático) y **PreWash** (Prelavado) enjuagado está siempre fría para poder reducir el consumo de energía y las manchas y arrugas. Siga las indicaciones de la etiqueta de cuidado del fabricante del tejido al seleccionar la temperatura de lavado.

Para cambiar la temperatura de lavado, pulse el botón **Temp** (Temperatura) hasta obtener el valor deseado. Puede elegirse entre Tap Cold (frío de grifo), Cold (frío), Warm (tibio), Hot (caliente) o Extra Hot (Muy caliente) en la mayoría de los ciclos. Por diseño, a fin de proteger las telas, no todas las temperaturas de lavado están disponibles para ciertos ciclos de lavado. El calentador interno permite temperaturas Extra Calientes en aquellos modelos equipados con capacidades de Vapor.

NOTA: Los 10 primeros segundos de la toma de agua, siempre está fría. Esta función permite acondicionar el tejido y evitar que las manchas se adhieran a las prendas.

Spin (Centrifugado)

Al cambiar la **Spin** (Velocidad de centrifugado), cambia la velocidad final de centrifugado de los ciclos. Siga siempre las indicaciones de la etiqueta de cuidado del fabricante de la prenda al cambiar la **Spin** (Velocidad de centrifugado).

Para cambiar la **Spin** (Velocidad de centrifugado), pulse el botón **Spin** (Velocidad de centrifugado) hasta obtener el valor deseado. Puede elegirse entre No Spin (sin centrifugado), Low (bajo), Medium (medio), High (alto) o Max. Las velocidades de centrifugado más rápidas no están disponibles en determinados ciclos, como **Delicates** (Delicadas) o **Active Wear** (Ropa Deportiva). Con dichas velocidades, se elimina más agua de las prendas y se reduce el tiempo de secado, aunque también puede aumentar la posibilidad de que se formen arrugas en algunos tejidos.

NOTA: Esta lavadora cuenta con un sistema **dBT™ (Tecnología de Equilibrio Dinámico)**. Esta tecnología de sensor patentado e incorporado permite un equilibrio en tiempo real del ciclo de giro para cada lavado, ahorrando tiempo y brindando un lavado suave. Esto debería permitir tiempos de lavado más consistentes y una reducción general de ruido y vibraciones. Si la lavadora experimenta cualquier ruido, vibración o temblor excesivos, simplemente Pause la lavadora, abra la puerta, y de forma manual redistribuya la carga antes de reiniciar el ciclo.

E Opciones

SMARTDISPENSE (Dispensado inteligente) (en algunos modelos)

Cuando sea seleccionada, de forma automática esta función agregará detergente al lavado, eliminando la necesidad de agregar detergente a cada carga. Vea la sección **SmartDispense** para más detalles.

My Settings (Mis configuraciones) (en algunos modelos)

Para guardar sus configuraciones favoritas para un ciclo específico, configure las opciones deseadas de los niveles de las funciones Soil (Suciedad), Spin (Centrifugado) y Temp (Temperatura), Extra Rinse (Enjuague Adicional) y otras configuraciones. Mantenga presionada la tecla **My Settings** (Mis Configuraciones) durante 3 segundos. Sonará un pitido que indicará que las selecciones para este ciclo fueron guardadas. Usted puede elegir crear **My Settings** (Mis Configuraciones) para otros ciclos.

POWER STEAM (Energía de vapor) (en algunos modelos)

Power Steam (Energía de Vapor) le agrega vapor a la lavadora antes de que comience el ciclo de lavado como ayuda para aflojar manchas en los ciclos **NORMAL (Normal)**, **WHITES (Blancos)** **TOWELS (Toallas)**, **BULKY Bedding (Ropa de Cama Voluminosa)**, **SANITIZE+Allergen (Desinfectar + Alérgeno)** y **POWER CLEAN (Limpieza Potente)**.

Para usar:

1. Presione la tecla **Power (Encendido)** para "despertar" la lavadora y seleccione un ciclo de lavado.
2. Presione la tecla **POWER STEAM (Energía de Vapor)** para activar el vapor.
3. Presione la tecla **Start/ Pause (Iniciar/ Pausar)**.

WiFi (puede ser una tecla compartida con otras opciones)

Mantenga presionada la **WiFi**, **POWER STEAM/WiFi*** or **Time Save/WiFi*** durante 3 segundos para activar esta función. Para acceder a más detalles sobre cómo iniciar la conexión WiFi, consulte la sección de Conexión WiFi.

Usar la lavadora

E Opciones - Continué

Delay Wash (Retrasar lavar)/Remote Start (Inicio Remoto)

Usted puede retrasar el inicio de un ciclo de lavado hasta durante 24 horas o iniciar la lavadora de forma remota usando la función **Delay Wash/Remote Start** (Retraso del Lavado/ Inicio Remoto). Presione la tecla para cambiar por horas o mantenga presionada la tecla **Delay Wash** (Lavado con Retraso) para configurar la cantidad de tiempo que desea retrasar el inicio del ciclo de lavado. Si conectó su lavadora al WiFi, la primera selección, "AP" (Aplicación), puede ser realizada para activar el inicio remoto de su lavadora desde la aplicación de teléfono inteligente GE Appliance. O, si seleccionó un tiempo de retraso en horas, la máquina realizará la cuenta regresiva y comenzará de forma automática luego de este período. Presione la tecla **Start** (Iniciar) una vez que haya configurado la función **Delay Wash** (Lavado con Retraso) hasta la configuración apropiada, a fin de activar esta función. Para cancelar esta opción, simplemente apague y encienda los controles.

NOTA: Si olvida cerrar por completo la puerta, sonará una señal para recordárselo.

NOTA: Si abre la puerta durante la cuenta regresiva, la lavadora entrará en estado de pausa. Debe cerrar la puerta y pulsar de nuevo **Start** (Iniciar) para reiniciar la cuenta regresiva.

Time Saver (Ahorro de Tiempo) (en algunos modelos)

Esta opción reduce el tiempo total del ciclo de lavado mediante la optimización del lavado, enjuague y centrifugado y / o suavemente levantando el la temperatura de lavado para conseguir ropa limpiada más rápido. Esta opción está disponible en los ciclos **NORMAL** (Normal), **WHITES** (Blanca), **TOWELS** (Toallas), **DELICATES** (Delicadas), **BULKY Bedding** (Prendas Voluminosas) and **ACTIVE WEAR** (Ropa Informal). El tiempo total de lavado puede variar en función del ciclo elegido y las opciones seleccionadas.

Para usar:

1. Presione el encendido y seleccione un ciclo de lavado que posea **Time Saver** (Ahorro de Tiempo) como opción.
2. Presione el botón **Time Saver** (Ahorro de Tiempo) para reducir el tiempo total de lavado.
3. Presione el botón **Start/Pause** (Iniciar/Pausar).

More Water (Más Agua) (en algunos modelos)

Esta opción añade aproximadamente 3 galones a las partes de lavado y enjuague del ciclo. Si la opción es seleccionada antes del inicio del ciclo, el agua será agregada desde el comienzo del ciclo del lavado y más tarde en el enjuague. Si la opción es seleccionada durante la parte del lavado, se agregará más agua en este punto y luego en el enjuague. Asimismo, si se selecciona la opción **More Water** (Más Agua) una vez que se haya completado la parte del lavado, la lavadora agregará más agua al enjuague únicamente. Si se completó el lavado y el enjuague, la tecla **More Water** (Más Agua) ya no estará activa.

ULTRAFRESH VENT System with ODORBLOCK™ (Ventilación Ultra Fresca Sistema con ODORBLOCK™) (solo en modelos GE Appliances y Profile)

El Sistema ULTRAFRESH VENT (Ventilación Ultra Fresca) con OdorBlock fue diseñada para eliminar el exceso de humedad de la lavadora luego de un ciclo de lavado, a fin de evitar que se produzcan olores. Esta lavadora fue diseñada para drenar agua al final del ciclo de forma más efectiva. Luego del ciclo de lavado, el usuario podrá entonces elegir dejar la puerta abierta o seleccionar la función ULTRAFRESH VENT (Ventilación Ultra Fresca) como ayuda para secar la canasta y otras áreas de la lavadora. El sistema OdorBlock cuenta con múltiples componentes, que son fabricados con tecnología antimicrobial Microban®. *Microban es una tecnología antimicrobial segura y efectiva que durará toda la vida útil de su lavadora. Para más información, por favor visite www.microban.com/geappliances.

La función ULTRAFRESH VENT (Ventilación Ultra Fresca) estará disponible una vez que se haya completado el ciclo de lavado y se haya retirado la ropa limpia. Una vez cerrada la puerta, se emitirá un tono de notificación y la tecla con LED **ULTRAFRESH VENT** (Ventilación Ultra Fresca) parpadeará. Al presionar esta tecla, se iniciará la función ULTRAFRESH VENT (Ventilación Ultra Fresca).

Para seleccionar ULTRAFRESH VENT (Ventilación Ultra Fresca) en cualquier otro punto, encienda la lavadora, asegúrese de que el ciclo no esté funcionando de forma activa, y retire cualquier prenda de la canasta, luego presione y libere la tecla **ULTRAFRESH VENT** (Ventilación Ultra Fresca), de modo que el tono de notificación suene y la tecla LED **ULTRAFRESH VENT** (Ventilación Ultra Fresca) comience a parpadear. Luego presione la tecla **ULTRAFRESH VENT** (Ventilación Ultra Fresca) nuevamente para iniciar dicha función. Durante el funcionamiento de ULTRAFRESH VENT (Ventilación Ultra Fresca), la puerta permanecerá bloqueada y la lavadora girará de forma intermitente en velocidades bajas hasta durante 8 horas. Los modelos Profile utilizan un sensor para determinar el tiempo de finalización.



Si se detectan prendas en la canasta durante la función ULTRAFRESH VENT (Ventilación Ultra Fresca), la lavadora activará en cambio **TUMBLE CARE** (Cuidado en el Giro) o **1 STEP WASH + DRY** (Lavado + Secado en 1 Paso), dependiendo de la opción disponible para su modelo.

La función **ULTRAFRESH VENT** (Ventilación Ultra Fresca) podrá ser cancelada en cualquier momento presionando la tecla **POWER** (Encendido), girando la perilla de ciclo, o presionando la tecla **ULTRAFRESH VENT** (Ventilación Ultra Fresca).

Aplicación SmartHQ Activada

Existen varias opciones que brindan soporte para su lavadora conectada a WiFi disponibles a través de la Aplicación SmartHQ. Esta Aplicación no sólo le permite recibir actualizaciones por aire (OTA) y actualizaciones del software de su lavadora, sino que desbloquea funciones especiales de su lavadora. Entre estas funciones se encuentran **Adaptive SmartDispense** (Dispensado Inteligente con Tecnología Adaptativa), **Adaptive My Settings** (Mis Configuraciones con Tecnología Adaptativa) y **Stain Removal Guide** (Guía de Eliminación de Manchas).

*Microban® es una marca registrada de Microban International, Ltd.

Usar la lavadora

E Opciones - Continué

1 STEP WASH + DRY (Lavado - secado en 1 paso) (en algunos modelos)

Esta opción está disponible en todos los ciclos, excepto **Self Clean** (Autolimpieza).

La función **1 STEP WASH + DRY (Lavado + Secado en 1 Paso)** es usada para cargas pequeñas únicamente. Use esta función cuando necesite que la ropa sea lavada, secada y esté lista para su uso a la mañana siguiente. Esta función hará girar la ropa e introducirá una corriente de aire constante en el compartimiento de la lavadora luego de completar ciclos de lavado selectos. Aunque la parte del secado está configurada en 8 horas, la ropa se podrá retirar en cualquier momento presionando **Pause** (Pausa) o **Power** (Encendido) para cancelar el ciclo.

Tumble Care (Cuidado por agitación) (en algunos modelos)

Hace girar sus prendas de forma periódica para que se mantengan frescas hasta durante 8 horas, hasta que el ciclo de lavado se haya completado, a fin de reducir el nivel de arrugas y pliegues cuando no pueda mover la ropa a la secadora de forma inmediata.

Al final del ciclo, en la pantalla aparecerá "END" (Fin), y luego de diez minutos se iniciará la función **Tumble Care** (Cuidado por agitación). Se puede detener en cualquier momento, presionando el botón **Power** (Encendido).

PreWash (Prelavado) (en algunos modelos)

El prelavado es un lavado adicional que se realiza antes del lavado principal. Utilícelo con prendas muy sucias o con aquellas prendas en cuyas etiquetas de cuidado se recomiende realizar un prelavado. Asegúrese de añadir detergente de alta eficacia líquido o en polvo o la sustancia de lavado correspondiente en la cubeta de prelavado. Las lavadoras equipadas con **SmartDispense** (Dispensado Inteligente) agregarán de forma automática la cantidad apropiada de detergente para lavado previo en base al tamaño de la carga.

PreWash (Prelavado) se debe de seleccionar antes de presionar **Start** (Iniciar).

La característica de **PreWash** (Prelavado) llenará la lavadora (agregando el detergente de prelavado), girará la ropa, efectuará el desagüe y el centrifugado. Luego la lavadora realizará el ciclo de lavado seleccionado.

NOTA: En algunos ciclos especiales, el prelavado se selecciona automáticamente por defecto. Usted puede apagar esta selección en cualquier momento. El lavado principal usará detergente nuevo del compartimiento manual para detergente y del tanque de **SmartDispense** (Dispensado Inteligente) (en algunos modelos).

Auto Soak (Remojo Automático) (en algunos modelos)

Para remojar las prendas antes del ciclo de lavado. Esta opción comienza con un giro breve y luego procede a remojar la ropa con agua y detergente durante un período de tiempo específico. Una vez completado, el ciclo continuará automática.

AutoSoak (Remojo Automático) deberá ser seleccionado antes de presionar la tecla de inicio. El tiempo de **AutoSoak (Remojo Automático)** agregará 15 minutos adicionales, 30 minutos, 1 hora o 2 horas al tiempo de lavado total. Se usará detergente de alto nivel de eficiencia desde el compartimiento de lavado del dispensador para el período de **AutoSoak (Remojo Automático)** y el ciclo de lavado principal.

Extra Rinse (Enjuague Adicional)

Esta opción permite un enjuague adicional durante un ciclo a fin de eliminar suciedad y detergente excesivo de cargas con suciedad. Para seleccionarlo, presione el botón **Extra Rinse** (Enjuague Adicional).

NOTA: En el ciclo **RINSE & SPIN** (Enjuague y Giro), se podrá lograr un ciclo de **drenaje y giro** presionando el botón **Extra Rinse** (Enjuague Adicional) hasta que el LED no haya luz.

Light (Luz del tambor) (en algunos modelos)

La luz del tambor se encenderá y permanecerá activada durante 5 minutos cuando la puerta se abra, se presione el botón **Start/Pause** (Iniciar/Pausa), o presionando **Light** (Luz). La luz del tambor puede apagarse presionando el botón de **Light** (Luz).

Add Garment (Agregar Prenda) (en algunos modelos)

Si necesita agregar una prenda una vez que el ciclo haya comenzado, presione la tecla **Add Garment** (Agregar Prenda) y la unidad desbloqueará la puerta, permitiendo colocar prendas adicionales. La función **Add Garment** (Agregar Prenda) sólo está disponible cuando la luz LED está encendida sobre la tecla. Luego de cierto punto en el ciclo, la luz LED ya no se iluminará ni se podrá agregar una prenda.

Sound (Sonido)

Para cambiar el nivel de volumen de la señal de final del ciclo y el volumen del botón de presión, presione el botón tantas veces como sea necesario hasta llegar al volumen deseado. En algunos modelos hay cuatro niveles de sonido, incluyendo apagado, otros modelos tienen Apagado/Encendido (Off/On) con la función de presionar y mantener

Control Lock (Light-Control Lock pad)/ Bloquear de control (Luz-Bloquear de control botón) (según modelo)

Puede bloquear los controles para impedir que se realice cualquier selección. O bien puede bloquear los controles después de haber iniciado un ciclo.

Con esta opción seleccionada, los niños no podrán poner en marcha la lavadora de manera fortuita aunque toquen el panel.

Para bloquear/desbloquear la lavadora, mantenga pulsado el botón **Control Lock (Light-Control Lock pad)/ Bloquear de control (Luz-Bloquear de control botón)** durante 3 segundos. Se escuchará un sonido que indica la condición de bloqueado/desbloqueado. El icono de bloqueo de los controles que aparece en la pantalla se encenderá cuando esté activado.

NOTA: El botón **Power** (Encendido/Apagado) puede seguir utilizándose cuando la lavadora está bloqueada.

Usar la lavadora

Control de secadora: emparejamiento Bluetooth® (en algunos modelos)

1. Encienda tanto la **lavadora** como la **secadora** pero no inicie ningún ciclo.
2. Mantenga presionado el botón **Tumble Care** en la **lavadora** durante 5 segundos hasta que el LED de Bluetooth® (📶) comience a parpadear y escuche un tono audible.
3. Abra y cierre la puerta de la **secadora** 3 veces en 10 segundos para que la lavadora pueda detectarla.
4. La lavadora intentará descubrir la secadora, el ícono Bluetooth® parpadeará y ambas pantallas parpadearán “ - - - ”.
5. El ícono Bluetooth® de la lavadora debe iluminarse sin parpadear, lo que significa que las máquinas ahora están emparejadas. La pantalla de la lavadora mostrará “bt” durante 3 segundos.
6. Si las unidades Bluetooth® no se emparejan, repita los pasos 1 a 5.
7. Para desemparejar las máquinas, simplemente mantenga presionado el botón **Tumble Care** durante 10 segundos o abra y cierre la puerta de la **secadora** 3 veces en 10 segundos.



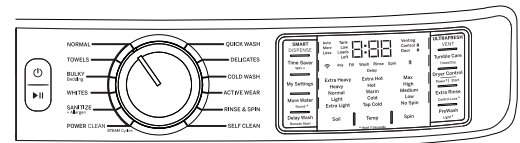
Escanea para obtener instrucciones

Cómo utilizar la función de control Dryer Control de la secadora (en algunos modelos)

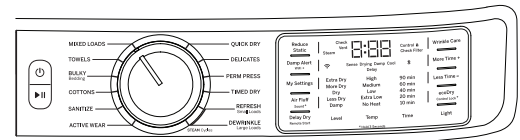
1. Encienda la **lavadora**.
2. Mantenga presionado el botón de control **Dryer Control** de la secadora en la **lavadora** durante 3 segundos para encender la **secadora**.
3. La selección de ciclo de la **secadora** destellará para mostrar el ciclo de sensor recomendado que se empareja con el último ciclo de lavadora completado mientras la pantalla de **lavadora** muestra “drY”.
4. Para usar este ciclo, presione el botón de control **Dryer Control** para iniciar la **secadora**. La **secadora** se puede pausar abriendo su puerta o presionando el botón de control **Dryer Control**. Para reiniciar la **secadora** con la puerta cerrada, simplemente presione el botón de control **Dryer Control**.
5. Para seleccionar **Timed Dry** en lugar del ciclo de secado automático, simplemente presione el botón **Timed Dry** en la **lavadora** mientras la pantalla dice “drY”. Las pulsaciones sucesivas de este botón pasarán por los tiempos de secado programado predeterminados (el valor predeterminado es 40 minutos).
6. Una vez que haya seleccionado la duración del **Timed Dry** programado, presione el botón de **Dryer Control** dentro de los 10 segundos para iniciar la secadora.



Lavadora



Secadora



NOTA: El panel de control **Dryer Control** de su **secadora** es totalmente funcional incluso cuando usa el control de la secadora a través de la **lavadora**.

Apagar la **lavadora** no apagará la **secadora** cuando esté en curso un ciclo de secado.

Usar la lavadora

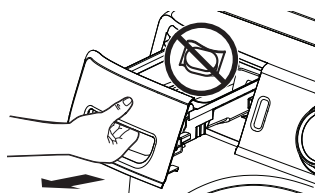
Depósito de detergente

Abra lentamente el depósito de detergente tirando de él hasta que se detenga. Tras añadir los productos de lavado, ciérrelo despacio. Si cierra el depósito demasiado rápido, puede provocar que la lejía, el suavizante o el detergente se administren antes de tiempo.

Es posible que observe agua en los compartimentos de detergente, lejía y suavizante al final del ciclo. Este es el resultado de la acción de trasvase y forma parte del funcionamiento normal de la lavadora.

NO coloque paquetes de detergente en el cajón dispensador.

NOTA: Use sólo detergentes y aditivos HE líquidos o en polvo en el cajón dispensador. Los paquetes de detergente para ropa sucia sólo se deberían agregar directamente al tubo de la lavadora, siguiendo las instrucciones del fabricante.



Use sólo detergente de alta eficiencia HE



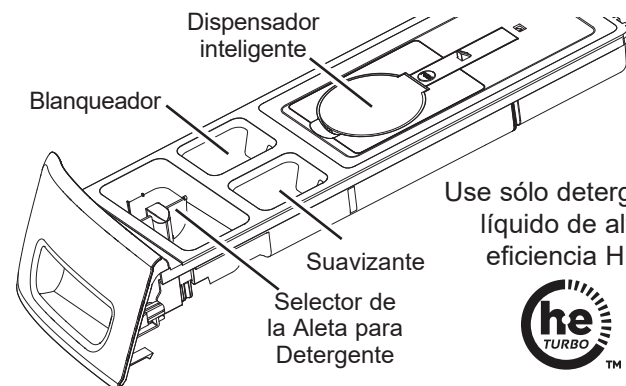
SmartDispense™ (algunos modelos)

When selected, this feature will automatically add detergent to the wash, eliminating the need to add detergent for each load.

La selección de la cantidad de detergente en el panel de control estará en **AUTO** por omisión cuando se encienda la lavadora por primera vez. Cuando se seleccione **AUTO**, la cantidad de detergente necesario para cada carga de lavado será determinada de forma automática en base al tamaño de la carga que la máquina determine.

Para activar la función **AUTO** (Automático), la lavadora dispensará aproximadamente 1.5 onzas de detergente para una carga normal de 8 libras. Para otras cargas, hará un ajuste de forma proporcional en base al tamaño de la carga y el tipo de prendas. Si seleccionó **LESS** (Menos), la cantidad de detergente será reducida en un 40%. Es posible que se desee esto cuando se cuenta con detergente más concentrado o si cuenta con agua muy blanda. Para cargas con mucha suciedad, es posible que desee seleccionar **MORE** (Más) para agregar un 40% más de detergente que en el nivel **AUTO** (Automático). Puede seleccionar la marca/ tipo de detergente en la Aplicación SmartHQ, de modo que la lavadora realice ajustes en base a las recomendaciones de los fabricantes de detergente.

NOTA: No todos los ciclos permitirán el uso de la función **SMART DISPENSE** (Dispensador inteligente). Si la luz no aparece iluminada y presionar el botón **SMART DISPENSE (Dispensador Inteligente)** produce un pitido, entonces no es posible usar la función SmartDispense (Dispensado Inteligente) en el ciclo que fue seleccionado. Se deberá agregar el detergente directamente en el compartimiento de detergente para estos ciclos.



Use sólo detergente líquido de alta eficiencia HE



Si se desea agregar detergente de forma manual a una carga específica:

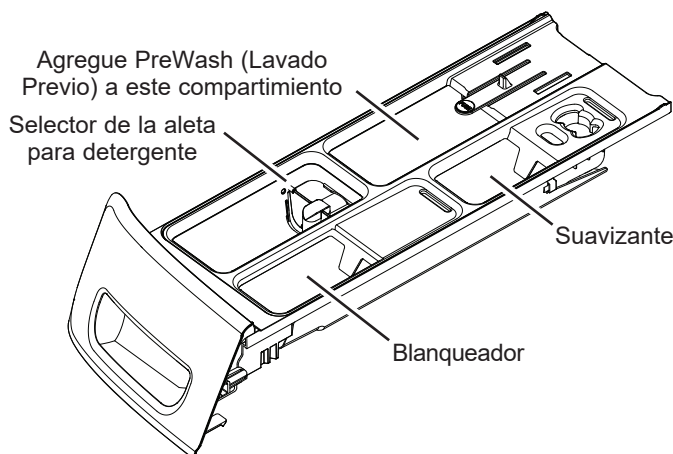
1. Presione la tecla **SMART DISPENSE** (Dispensador Inteligente) en el panel de control hasta que su luz se apague, lo cual indicará que la función SmartDispense (Dispensador Inteligente) fue apagada.
2. Configure la solapa del compartimiento de detergente en relación al tipo de detergente que se usará - Polvo o Líquido. Consulte la sección del Compartimiento de Detergente.
3. Agregue la cantidad de detergente deseada en el compartimiento de detergente.

Si la pantalla indica que el tanque de SmartDispense (Dispensado Inteligente) estima que la cantidad de detergente es insuficiente para el lavado de la carga, la luz de Smart Dispense (Dispensado Inteligente) parpadeará. La lavadora aún podrá realizar un ciclo, pero sugirió que se agregue detergente en el compartimiento manual para detergente o que se vuelva a llenar el tanque de SmartDispense (Dispensado Inteligente).

Compartimiento de prelavado (algunos modelos)

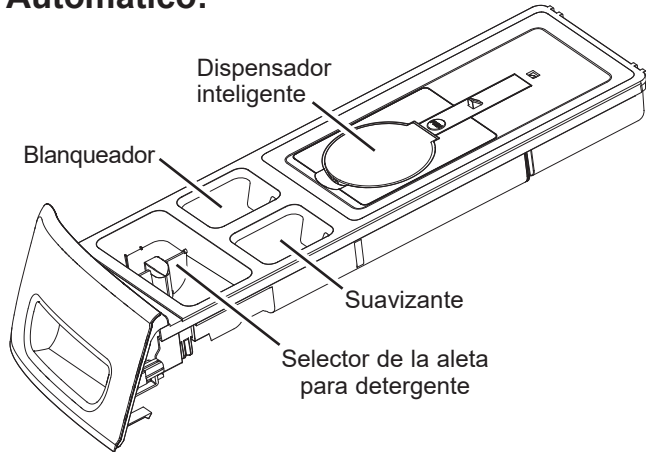
Utilice sólo el compartimiento de prelavado si va a seleccionar el ciclo de **PreWash** (Prelavado) para prendas muy sucias. Añada la cantidad de detergente o de sustancia de prelavado al compartimiento de prelavado situado en la parte posterior izquierda del depósito de detergente.

- El detergente o la sustancia de prelavado se añaden desde el depósito durante el ciclo de **PreWash** (Prelavado) (en caso de que se seleccione).
- Es posible que haya que ajustar el uso de detergente a la temperatura del agua, a la dureza de la misma, al tamaño y al nivel de suciedad de la carga. Evite utilizar demasiado detergente en la lavadora ya que puede producir demasiado jabón y dejar restos en las prendas.

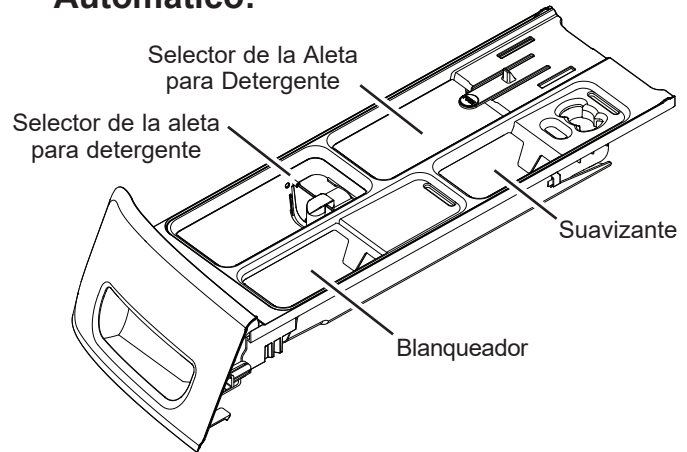


Usar la lavadora

En modelos con Dispensador Automático:



En modelos sin Dispensador Automático:



Compartimento para el detergente

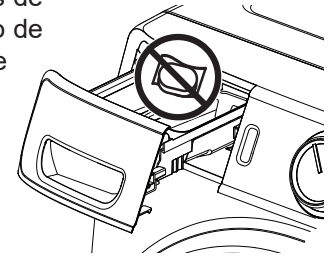
Use sólo detergente con alto nivel de eficiencia en esta lavadora. **NO supere la línea MAX al colocar el detergente con alto nivel de eficiencia. Use la cantidad de detergente recomendada por el fabricante.**

- **Detergente en Polvo** – Levante la aleta para el detergente en polvo. Esto deberá ser realizado para disolver y descargar el detergente de forma apropiada. Siga las instrucciones del fabricante de detergente al medir la cantidad de polvo a usar.
- **Detergente Líquido** – Mantenga la aleta hacia abajo para el detergente líquido. Esto retiene el detergente líquido hasta que se descarga automáticamente al comenzar el ciclo de lavado. Siga las instrucciones del fabricante de detergente al medir la cantidad de líquido a usar.


Es posible que el uso del detergente se deba ajustar con relación a la temperatura del agua, dureza del agua, tamaño y nivel de suciedad de la carga. Evite usar demasiado detergente en la lavadora, ya que puede producir exceso de jabón, residuos de detergente en la ropa, y podría extender los tiempos de lavado.

No use grandes cantidades de detergente en el dispositivo de suministro de jabón, ya que pueden provocar escapes.

NO coloque paquetes de detergente en el cajón dispensador.



Compartimento para lejía líquida

Si lo desea, mida la cantidad recomendada de lejía líquida, que no sobrepase 1/3 del recipiente (80 ml) y viértala en el compartimento central con la etiqueta "Liquid Bleach" (Lejía líquida) marcado con este símbolo .

Se recomienda el uso de lejía de alta eficiencia (HE) con esta lavadora de carga frontal.

No sobrepase la línea de llenado máximo. Un llenado excesivo puede hacer que la lejía se administre demasiado pronto y, como resultado, dañe las prendas.

NOTA: No use paquetes de blanqueador en polvo ni de detergente/ aditivo para ropa sucia en el dispensador.

Compartimento para el suavizante

Si lo desea, vierta la cantidad recomendada de suavizante líquido en el compartimento con la etiqueta "Fabric Softener" (Suavizante).

Utilice sólo suavizante líquido en el depósito.

No sobrepase la línea de llenado máximo. Un llenado excesivo puede hacer que el suavizante se administre demasiado pronto y manche las prendas.

NOTA: No vierta directamente el suavizante sobre la carga.

NOTA: El compartimento del suavizante de telas se utilizará en el enjuague final del ciclo de lavado. Este compartimento también se puede utilizar para acomodar otros enjuagues líquidos, como desinfectantes y líquidos para realzar la tela. El uso de estos otros productos debe estar certificado por el fabricante del líquido para garantizar la seguridad en el uso de lavarropas residenciales y lavadoras/secadoras combinadas. Compruebe cuidadosamente, ya que ciertos líquidos pueden invalidar la garantía de la Combo.

Indicador de Ayuda al Consumidor

Su lavadora está equipada con la función Consumer Help Indicator (Indicador de Ayuda al Consumidor, CHI). CHI es nuestra forma de comunicar una solución simple para algunas acciones que usted puede realizar sin la necesidad de llamar al servicio técnico. El siguiente cuadro describe los mensajes útiles que podrá ver pasar por la pantalla al regresar para iniciar otra carga. Estos mensajes brindarán soluciones simples que puede realizar de forma rápida.

<p>Spin (Luz intermitente de giro)</p>	<p>Si una condición de desequilibrio es detectado por la lavadora, el indicador de Giro (Spin) parpadeará durante la parte restante del ciclo y permanecerá iluminado durante un corto tiempo después del fin del ciclo. Cuando este ocurre, la lavadora está tomando medidas para corregir la condición de desequilibrio y completar el ciclo normalmente. En algunos casos, es posible que la lavadora no pueda ser capaz de equilibrar la carga y girar a plena velocidad. Si se observa que la carga es más húmedo de lo normal al fin del ciclo, redistribuye la carga de manera uniforme en el tambor de lavado y ejecute un ciclo de Drain & Spin (Drenaje y Giro). (Para más detalles, consulte sobre la función de Enjuague Adicional en la sección de Comienzo – Opciones).</p>
<p>“H2O SUPPLY” (El agua no entra a la lavadora)</p>	<p>Controle el suministro de agua del hogar. ¿Olvidó abrir una o ambas válvulas luego de la instalación o al volver de sus vacaciones? Tan pronto como el mensaje comience a pasar, la lavadora iniciará un período de bloqueo de 4 minutos. Los controles de la lavadora no responden/cambian durante este tiempo. Luego de 4 minutos, puede comenzar el ciclo nuevamente. Si intenta eludir el período de bloqueo desenchufando la lavadora, el temporizador de 4 minutos se iniciará nuevamente.</p>
<p>“CAnCELEd” (Cancelado)</p>	<p>“CAnCELEd” (Cancelado) puede desplazarse en la pantalla si la máquina se detuvo por más de 24 horas o si la máquina se ha parado por si misma debido a ciertos errores antes que el ciclo sea completado. Tan pronto como el mensaje comience a desplazarse, la lavadora se iniciará un período de bloqueo de 4 minutos. Los controles de la lavadora no responderán/cambiarán durante este tiempo. Luego de 4 minutos puede comenzar el ciclo nuevamente. Si intenta eludir el período de bloqueo desenchufando la lavadora, el temporizador de 4 minutos se iniciará de nuevo. Si el problema persiste, llame al 800.561.3344 para el servicio.</p>
<p>“door” (Puerta)</p>	<p>“door” (puerta) aparecerá en la pantalla si intenta iniciar un ciclo cuando la puerta no esté completamente cerrada. “door” (puerta) también se exhibirá en la pantalla si se iniciaron 3 ciclos sin abrir la puerta. La lavadora no iniciará otro ciclo hasta que se abra la puerta. En cualquier circunstancia, intente abriendo y cerrando la puerta, y luego iniciando un nuevo ciclo. Si el problema persiste, llame al 800.561.3344 para el servicio.</p>

Comunicación del Electrodoméstico

WiFi Connect (Conexión WiFi) (Sólo para clientes en los Estados Unidos - solo en modelos GE Appliances y Profile)

Su lavadora está habilitada para **GE Appliances WiFi Connect**.

Se recomienda enfáticamente conectar la lavadora al WiFi a fin de descargar el software más reciente, recibir actualizaciones de forma periódica y acceder a los beneficios de muchas de las funciones extendidas que están disponibles a través de la Aplicación SmartHQ. Muchas de las funciones de Inteligencia Artificial de su lavadora requieren conexión a la Aplicación SmartHQ.

Visite www.geappliances.com/connect e ingrese su número de modelo para mostrarle los pasos apropiados para conectar su aparato.

Tome nota especialmente del número de serie y dirección MAC ID de su lavadora, los cuales se encuentran en el frente de este manual.

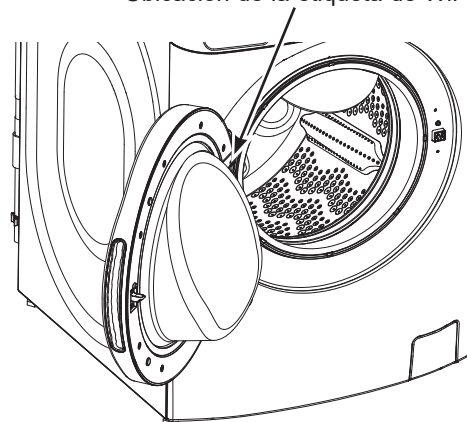
Para aprender más sobre las funciones del electrodoméstico conectado, para saber qué aplicaciones del electrodoméstico conectado funcionarán con su teléfono inteligente.

Conectividad WiFi: Para recibir asistencia en relación al electrodoméstico o la conectividad de red de **ConnectPlus**, comuníquese GE Appliances al **800.220.6899**.

Escanee aquí para comenzar.



Ubicación de la etiqueta de WiFi




Carga

Siempre siga las instrucciones del fabricante de la ropa cuando lave.

Separación de cargas

Separe por color (blancos, claros, colores), nivel de suciedad, tipo de tela (algodones rústicos, limpieza fácil, delicados) y si la tela produce pelusa (tela de toalla, felpilla) o junta pelusa (terciopelo, pana). Lave los productores de pelusas tales como toallas de algodón y medias aparte de los recolectores de pelusas, incluyendo prendas sintéticas y pantalones de vestir.

⚠ ADVERTENCIA  - **Riesgo de incendio**

NO lave tejidos sucios con líquidos inflamables o disolventes de limpieza.
 Ninguna lavadora puede eliminar el aceite por completo.
NO seque artículos que se hayan mojados o manchados con algún tipo de aceite.
NO toque el interior de la lavadora antes de que todas las partes en movimiento se hayan detenido.
 Si lo hace, eso puede ocasionar la muerte, explosión, incendio o amputación.

Carga de la lavadora

Puede que el tambor de la lavadora esté totalmente lleno con prendas sueltas que se añadan.

Para añadir prendas una vez que la lavadora esté en marcha, pulse **Start/Pause** (Iniciar/Pausa) y espere hasta que se desbloquee la puerta. La lavadora puede tardar unos 30 segundos en desbloquear la puerta después de pulsar **Start/Pause** (Iniciar/Pausa), dependiendo de las condiciones de la misma. No intente forzar la puerta para abrirla cuando esté bloqueada. Una vez que se desbloquee, ábrala con cuidado. Añada prendas, cierre la puerta y pulse **Start/Pause** (Iniciar/Pausa) para reiniciar el funcionamiento.

Ejemplos de carga

Tipo de carga	Carga mixta	Toallas y sábanas	Prendas delicadas*	Ropa de trabajo	Carga pequeña (2 a 5 artículos)
Ciclo sugerido	NORMAL	TOWELS (TOALLAS)	DELICATES (PRENDAS DELICADAS)	JEANS	QUICK CYCLE (CICLO RÁPIDO)
Contenido de la carga	6 camisas de vestir 3 pantalones de vestir 3 camisetitas de poliéster 3 camisetitas 4 pares de pantalones cortos 6 bóxeres ○ 6 camisetitas 4 pantalones deportivos 4 sudaderas 2 sudaderas con capucha 7 pares de calcetines	4 fundas de almohada 2 toallas de mano 2 hojas planas/ 2 hojas ajustadas 2 toallas de baño/ 4 toallas pequeñas ○ 2 sábanas planas tamaño "Queen" 2 sábanas ajustadas tamaño "Queen" 4 fundas de almohada	7 sostenes 7 calzones 3 enaguas 2 camisolas 4 camisones *Se recomienda utilizar una bolsa de malla de nailon para artículos pequeños.	4 jeans 5 camisas de trabajo 3 pantalones de trabajo	1 par de pantalones informales 2 camisas informales ○ 3 uniformes de fútbol

Cuidado y limpieza

Mangueras de suministro de aguas

De forma periódica, inspeccione que no haya pérdidas de agua, desgastes, cortes, corrosión ni bultos en todas las mangueras de entrada de agua. En caso que aparezcan signos de cualquiera de estas fallas, reemplace todas las mangueras de inmediato. Todas las mangueras se deberán reemplazar cada 5 años de uso, a fin de reducir riesgos de fallas por parte de las mangueras y posibles daños ocasionados por el agua. Al reemplazar las mangueras, consulte las Instrucciones de Instalación a fin de realizar una instalación correcta. NO ajuste en exceso ni desgaste las roscas de los accesorios. NO permita que la manguera roce contra objetos filosos, que se retuerza, o se extienda de forma excesiva. Siempre asegúrese de que las juntas de goma de la manguera estén instaladas y libres de goteos al recibir presión.

Exterior

Limpie inmediatamente cualquier vertido. Limpie los derrames o compuestos de limpieza con un paño húmedo. El panel de control y los acabados de la lavadora pueden resultar dañados por productos utilizados como tratamiento previo al lavado y removedores de manchas. Aplique estos productos lejos de la lavadora. La tela luego puede lavarse y secarse de manera normal. Los daños provocados a su lavadora por estos productos no están cubiertos por la garantía. No aplique objetos afilados a la superficie.

Interior

Seque alrededor de la abertura de la puerta de la lavadora, así como la junta obturadora elástica (incluidas las tuberías conectadas) y el cristal de la puerta. Estas zonas deben estar siempre limpias para garantizar un sellado hermético frente al agua. Si utiliza el sistema ULTRAFRESH VENT (Ventilación Ultra Fresca) de forma regular, observará que esto no será requerido con mucha frecuencia. Se recomienda enjuagar la lavadora al menos una vez por mes con 1 taza de cloro (u otro producto disponible comercialmente fabricado para este fin, tal como el limpiador de lavadora Tide®) vertido directamente en la canasta sin ropa y usando el ciclo **Self Clean** (Limpieza de tambor).

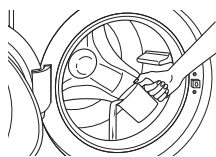
Self Clean (Autolimpieza)

Para limpiar la parte interna de la lavadora, seleccione la característica **SELF CLEAN** del panel de control. Este ciclo **Self Clean** debería ser activado, como mínimo, una vez por mes aprox. cada 40 ciclos de lavado. Este ciclo usará más agua, además de blanqueador, para controle el nivel en el cual las suciedades y detergentes se podrá acumular en la lavadora.



NOTA: Lea las instrucciones por completo antes de comenzar el ciclo **Self Clean** (Autolimpieza).

1. Quite las prendas u objetos de la lavadora y verifique que el tambor de la lavadora se encuentre vacío.
2. Abra la puerta de la lavadora y vierta en la canasta una taza o 250 ml de líquido blanqueador u otro limpiador para lavadoras.
3. Cierre la puerta por completo y vuelva a iniciar el ciclo **SELF CLEAN** (AUTOLIMPIEZA). Presione el botón **Start** (Inicio).
4. Cuando el ciclo **Self Clean** (Autolimpieza) esté funcionando, la pantalla mostrará el tiempo restante estimado del ciclo. El ciclo se completará en alrededor de 90 minutos. No interrumpa el ciclo.



5. Una vez completado el ciclo (en algunos modelos), la lavadora iniciará de forma inmediata el funcionamiento de ULTRAFRESH VENT (Ventilación Ultra Fresca), de modo que la puerta pueda permanecer cerrada hasta la próxima vez que use la lavadora.

Si por alguna razón debe interrumpirse el ciclo, la puerta no se abrirá de inmediato. Tratar de abrir la puerta en esta etapa puede hacer que el agua se derrame. La puerta se abrirá después de que el agua haya drenado hasta un nivel en el que no inunde el piso.

Self Clean (Autolimpieza) puede interrumpirse presionando el botón **Start** (Inicio) entre ciclos. Un corte de energía en el hogar también puede interrumpir el ciclo. Cuando se reanuda el servicio eléctrico, el ciclo **Self Clean** (Autolimpieza) continúa desde el punto en el que se había detenido. Cuando se interrumpe, asegúrese de realizar un ciclo completo de **Self Clean** (Autolimpieza) antes de utilizar la lavadora. Si se presiona el botón **Power** (Encendido) durante **Self Clean** (Autolimpieza), el ciclo se perderá.

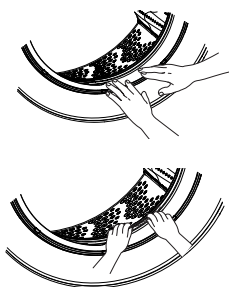
IMPORTANTE:

- Haga funcionar el ciclo **Self Clean** (Autolimpieza) con una taza (250 ml) de lejía una vez por mes.
- Después de finalizar un ciclo **Self Clean** (Autolimpieza), la parte interior de su lavadora puede tener olor a lejía.
- Se recomienda lavar una **RINSE & SPIN** o carga de colores claros después del ciclo **Self Clean**.

Junta de la puerta

Abra la puerta de la lavadora. Usando ambas manos, presione la junta de la puerta hacia abajo.

Mientras sostiene la junta de la puerta, inspeccione el pliegue interior. Retire cualquier objeto extraño que se pueda encontrar atrapado dentro de la junta.



Quite los objetos extraños que encuentre atrapados dentro de esta junta. Asegúrese de que no haya ningún objeto bloqueando los orificios ubicados detrás de la junta.

Cuando haya terminado de limpiar la junta de la puerta, quite las manos y las juntas volverán a la posición de funcionamiento.



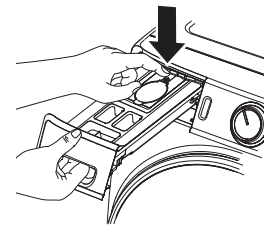
Cuidado y limpieza

Zona del depósito de detergente

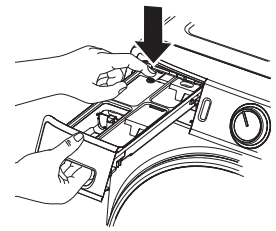
El detergente y el suavizante pueden acumularse en el depósito de detergente. Los residuos deben eliminarse una o dos veces al mes.

- Saque el depósito tirando de él hasta que se detenga. Luego acerque la mano a la parte trasera de la cavidad del cajón y presione firmemente sobre la lengüeta de bloqueo, quitando el cajón.
- Enjuague el cajón con agua caliente para quitar los restos acumulados de productos de lavado.
- Para limpiar la abertura del depósito, utilice un cepillo pequeño a fin de limpiar el hueco. Retire todos los restos de las partes superior e inferior del hueco.
- Introduzca de nuevo el depósito de detergente.
- Para reducir la acumulación en la zona del depósito de detergente:

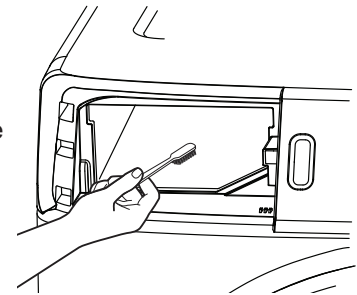
On models with a Smart Dispenser:



On models without a Smart Dispenser:



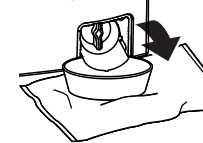
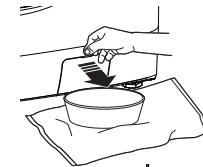
Use sólo detergente de alta eficiencia



Filtro de la bomba

Debido a la naturaleza de la lavadora de carga frontal, es posible que a veces pasen partículas pequeñas a la bomba. La lavadora cuenta con un filtro para capturar los elementos perdidos y que no caigan en el drenaje. Para recuperar los elementos perdidos, limpie el filtro de la bomba.

1. Utilizando un destornillador de lados planos o una moneda, abra la puerta de acceso.
2. Coloque una bandeja o plato poco profundo bajo la puerta de acceso y toallas en el piso frente a la lavadora para proteger el piso. Es normal que salga alrededor de una taza de agua cuando se quita el filtro.
3. Baje el pico vertedor.
4. Gire el filtro de la bomba en sentido contrario a las agujas del reloj y quite el filtro lentamente, controlando el flujo del agua que sale.
5. Quite el filtro y limpie las suciedades.
6. Vuelva a colocar el filtro y gire en sentido de las agujas del reloj. Ajuste bien.
7. Eleve el pico vertedor.
8. Close the access door by hooking the bottom tabs first, then rotating the access door shut.



Desplazamiento y almacenamiento

Pida al técnico de servicio que elimine el agua de las tuberías y la bomba de desagüe. No guarde la lavadora en un lugar donde esté expuesta a las inclemencias climáticas. Al mover la lavadora, la cuba debe mantenerse estable utilizando los pernos de transporte que se han extraído durante la instalación. Consulte las Instrucciones de instalación en este manual. Si estas piezas no están disponibles, se pueden solicitar a través del sitio Web GEApplianceparts.com o llamando GE Appliances al **877.959.8688**.

Largas vacaciones

Asegúrese de cortar el agua de todas las llaves de paso. Vacíe todas las tuberías de agua si la temperatura va a encontrarse por debajo de punta de congelación.

Instrucciones de instalación

Lavadora

Si tiene alguna pregunta, llame GE Appliances a 800.GE.CARES (800.432.2737) o visite nuestro sitio Web en: GEAppliances.com

ANTES DE COMENZAR

Lea detenidamente todas las instrucciones.

- **IMPORTANTE** — Guarde estas instrucciones para uso del inspector local.
- **IMPORTANTE** — Cumpla todos los códigos y ordenanzas regulatorias.
- **Nota al instalador** — Asegúrese de dejar estas instrucciones al usuario.
- **Nota al usuario** — guarde estas instrucciones para consultas futuras.
- **Nivel de habilidad** — la instalación de este electrodoméstico requiere habilidades mecánicas y eléctricas básicas.
- **Duración** — de 1 a 3 horas
- La instalación adecuada es responsabilidad del instalador.
- La garantía no cubre fallas producidas por la instalación inadecuada del producto.

UBICACIÓN DE LA LAVADORA

NO instale la lavadora:





1. En un área expuesta a goteras o a las condiciones del exterior. La temperatura ambiente no debe ser nunca inferior a 60°F (15,6°C) para que la lavadora funcione correctamente.
2. En una zona en la que pueda entrar en contacto con cortinas u otras telas.
3. Sobre una alfombra. El suelo **DEBE** ser una superficie dura con una inclinación máxima de 1/2" por pie (1,27 cm por cada 30 cm). Para asegurarse de que la lavadora no vibre ni se mueva, es posible que tenga que reforzar el suelo.

NOTA: Si el suelo se encuentra en mal estado, utilice una plancha con 3/4" de contrachapado bien fija al revestimiento existente en el suelo.


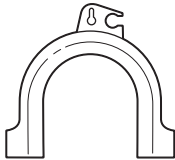


INSTALACIÓN EN CASAS RODANTES

La instalación se deberá realizar conforme con la Ley de Estándar para Casas Rodantes (Standard for Mobile Homes), ANSI A119.1 y de Estándares Nacionales de Construcción y Seguridad de Casas Rodantes (National Mobile Home Construction and Safety Standards Act) de 1974 (PL93-383).



HERRAMIENTAS NECESARIAS

- Nivel 
- Llave ajustable 
- Alicates ajustables Channel-lock 
- Destornillador Phillips 

PIEZAS INCLUIDAS

- Tapas de los Tornillos de Embalaje (4) 
- Guía de tuberías 
- Barra de Bloqueo - Conservar para la **Invertir la apertura de la puerta** (opcional solo en algunos modelos) 
- Abrazadera de cable 

PIEZAS NECESARIAS (Se adquiere por separado o incluido con el modelo GFW510)

- suministro de agua (2) 
- Arandelas de Caucho (2) y Pantallas de Filtro (2) 

GE Appliances Piezas y accesorios

Solicítelos on-line hoy mismo a GEApplianceparts.com, las 24 horas del día o por teléfono al 877.959.8688 en horario normal de trabajo.

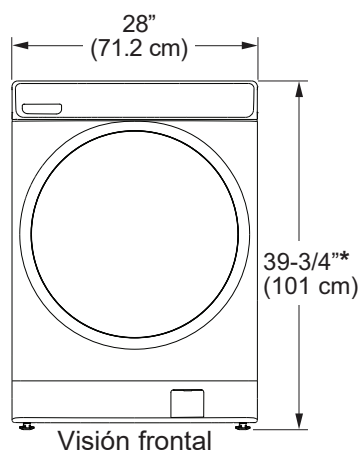
Número de Pieza Accesorio

WX14X10011 Mangueras de lavadora de 6 pies de acero inoxidable con codos de 90°; 2 unidades

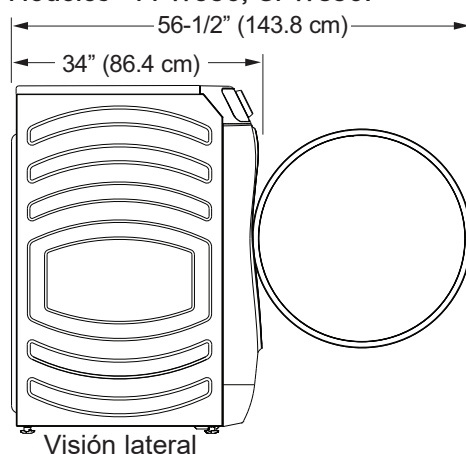
WH1X2267 Arandelas de Caucho y Pantallas

Instrucciones de instalación

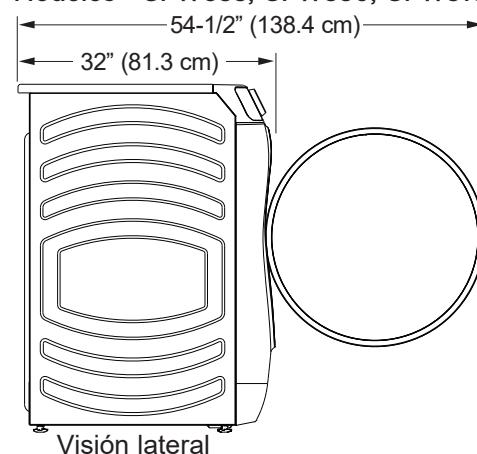
DIMENSIONES DE LA LAVADORA



Modelos - PFW950, GFW850:



Modelos - GFW655, GFW550, GFW510:

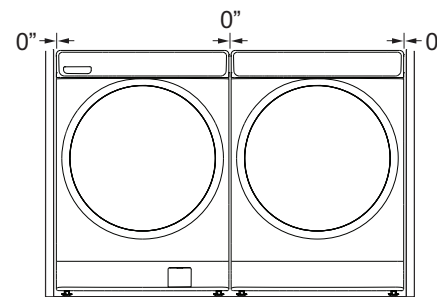
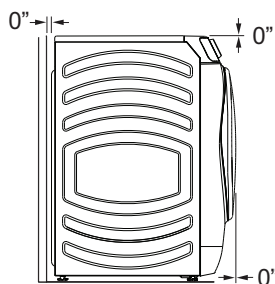


*Con las patas niveladoras retraídas: 39-3/4 (101 cm). / Con las patas niveladoras completamente extendidas: 40-5/8 (103,1 cm).

DISTANCIAS MÍNIMAS DE SEPARACIÓN

Alcoba o Armario

- Rear = 0"*
- Sides = 0"
- Top = 0"
- Front = 0"



- Se deberá considerar que se debe brindar el despeje adecuado para la instalación y el servicio técnico.
- Las puertas del armario deben contar con rejillas u otro tipo de ventilación y tener por lo menos 60 pulgadas cuadradas (387,1 cm²) de espacio abierto. Si el armario incluye una lavadora y una secadora, las puertas deben contener un mínimo de 120 pulgadas cuadradas (774,2 cm²) de espacio abierto.

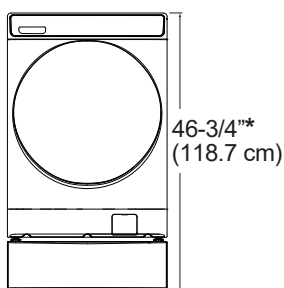
*Para que el espacio libre en la parte trasera de la lavadora sea de 0", deberá usar mangueras con codos de 90°. De otra forma, podrá necesitar cierto espacio libre adicional a fin de evitar que las mangueras rocen contra la pared trasera.

ACCESORIOS:

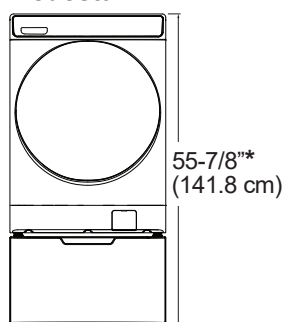
Ordene hoy a través de Internet en GEApplianceparts.com, las 24 horas del día o en forma telefónica llamando al **877.959.8688**, durante el horario comercial habitual.

No. de Pieza	Accesorio
GFR0728SNWW	Elevador blanco
GFR0728PNSN	Elevador de níquel satinado
GFR0728PNRS	Elevador de zafiro real
GFR0728PNDG	Elevador de diamante gris
GFR0728PTDS	Elevador de pizarra negra
GFP1528SNWW	Pedestal blanco
GFP1528PNSN	Pedestal de níquel satinado
GFP1528PNRS	Pedestal de zafiro real
GFP1528PNDG	Pedestal de diamante gris
GFP1528PTDS	Pedestal de pizarra negra
GFA28KITN	Kit para apilar Secadora sobre Lavadora

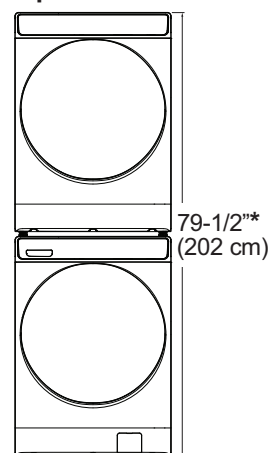
Elevador:



Pedestal:



Apilada:



Siga las **Instrucciones de instalación** incluidas en el Kit para conocer todos los requisitos de despeje e instalación.

*Con las patas niveladoras retraídas. Consulte la sección **DIMENSIONES DE LA LAVADORA** anterior para conocer las dimensiones de la extensión de las patas.

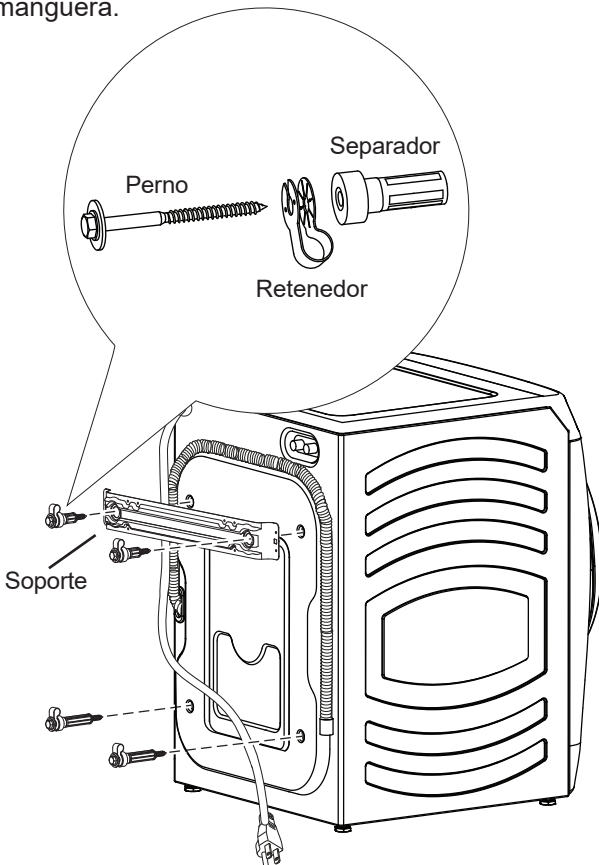
Instrucciones de instalación

DESEMBALAJE DE LA LAVADORA

⚠ ADVERTENCIA Recicle o deseche la caja de cartón y las bolsas de plástico una vez que haya desembalado la lavadora. Mantenga estos materiales fuera del alcance de los niños, pues éstos podrían utilizarlos para jugar. Las cajas de cartón cubiertas con mantas, colchas o láminas de plástico pueden convertirse en cámaras de aire herméticas y producir asfixia.

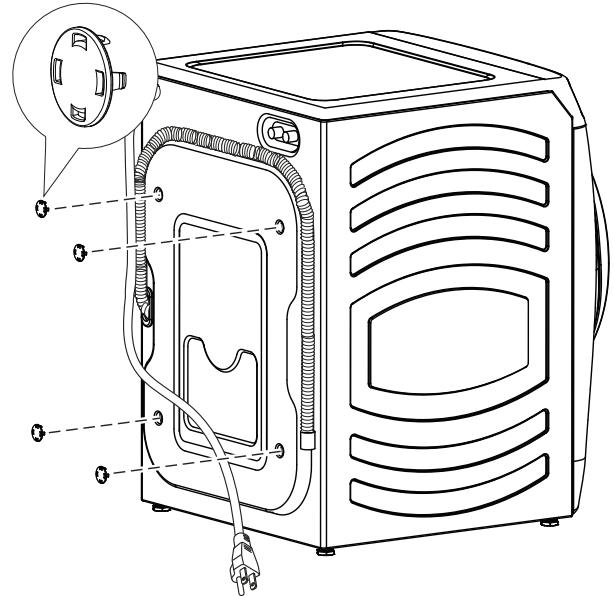
1. Corte y elimine todas las cintas de embalaje.
2. Mientras se encuentre dentro de la caja, coloque con cuidado la lavadora sobre el costado de la misma. NO la tumbe por la parte delantera ni trasera.
3. Abra las tapas inferiores y retire todo el embalaje de la base, incluido la base de la cuba de espuma de poliestireno.
4. Vuelva a levantar la lavadora con cuidado y retire la caja de cartón.
5. Desplace poco a poco la lavadora hasta 4 pies (122 cm) de su ubicación definitiva.
6. Quite las siguientes piezas de la parte trasera de la lavadora:
 - 4 pernos
 - 4 separadores de plástico (incluidas las retenedores de cable de alimentación y arandelas de goma)
 - 1 soporte y los tornillos que lo ajustan a la lavadora

NOTA: NO retire el tornillo o pinza que sostiene la manguera.



DESEMBALAJE DE LA LAVADORA (cont.)

7. Introduzca los tapones para orificios de pernos de embalaje en los orificios.



IMPORTANTE:

- No retirar todas las piezas de soporte del embalaje podrá hacer que la lavadora quede severamente desbalanceada.
- Guarde todas las piezas de soporte del embalaje para un uso futuro. En caso de ser necesario el transporte de la lavadora en una fecha posterior, Deberá reinstalar los tornillos y espaciadores de embalaje, a fin de evitar daños durante el traslado. El soporte no es necesario y se puede descartar.

NOTA: Tenga en cuenta las opciones de reciclaje del material de embalaje de su electrodoméstico.

Instrucciones de instalación

REQUISITOS ELÉCTRICOS

⚠️ ADVERTENCIA - Riesgo de Descarga Eléctrica

Enchufe a un tomacorriente de 3 clavijas con conexión a tierra.

NO retire la terminal de tierra.

NO UTILICE un cable de extensión.

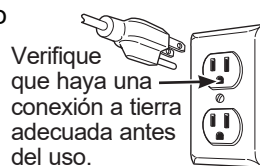
NO UTILICE un enchufe adaptador con este artefacto.

Si no se siguen estas instrucciones, se podrá producir la muerte, incendio o descargas eléctricas.

CIRCUITO – individual, correctamente polarizado y conectado a un disyuntor de 15 o 20 amperes o a un fusible con retardo.

SUMINISTRO DE CORRIENTE – 2 cables y conexión a tierra, 120 voltios, fase simple, 60 Hz., corriente alterna.

Receptáculo Externo – receptáculo de 3 clavijas correctamente conectado a tierra, ubicado de modo que el cable de corriente esté accesible cuando la lavadora esté en una posición instalada. Si hay un



receptáculo de 2 clavijas, es responsabilidad del propietario solicitar a un electricista matriculado que reemplace el mismo por un receptáculo de 3 clavijas con conexión a tierra, que esté correctamente conectado a tierra.

La lavadora deberá estar correctamente conectada a tierra de acuerdo con los códigos y ordenanzas locales, o en ausencia de códigos locales, con la última edición del Código Eléctrico Nacional, ANSI/NFPA NO. 70 o el Código Eléctrico Canadiense, CSA C22.1. En caso de no estar seguro de que la lavadora esté correctamente conectada a tierra, consulte a un electricista matriculado.

INSTRUCCIONES DE CONEXIÓN A TIERRA

Este electrodoméstico deberá estar conectado a tierra. En caso de avería o mal funcionamiento, la conexión a tierra reducirá el riesgo de descargas eléctricas al brindar un camino con una resistencia menor para la corriente eléctrica. Este electrodoméstico está equipado con un cable con un conductor para la conexión a tierra del equipo y un enchufe con conexión a tierra. El enchufe deberá estar conectado a un tomacorriente instalado en forma adecuada y con conexión a tierra de acuerdo con todos los códigos y ordenanzas locales.

⚠️ **ADVERTENCIA** Una conexión inapropiada del conductor de conexión a tierra del equipo puede provocar riesgos de descargas eléctricas. Consulte a un electricista calificado o personal o representantes del servicio técnico si tiene dudas de que el electrodoméstico se encuentre conectado a tierra apropiadamente. **NO** modifique el enchufe en el cable de suministro de corriente. Si no coincide con la toma de corriente, contrate a un electricista calificado para que instale una toma de corriente en forma adecuada.

INSTRUCCIONES DE CONEXIÓN A TIERRA (cont.)

Si los códigos locales lo requieren, se podrá agregar un cable a tierra externo de cobre de calibre 18 o más grande (no provisto). Adhiera el gabinete de la lavadora con un tornillo de chapa metálica N°10-16 x 1/2" (disponible en cualquier tienda de repuestos) a la parte trasera de la lavadora.

⚠️ ADVERTENCIA - Riesgo de Descarga Eléctrica

Desconecte el suministro de corriente antes de realizar el servicio técnico.

Reemplace todas las piezas y paneles antes de utilizar.

Si no cumple con esto, se podrá producir la muerte o descarga eléctrica.

⚠️ ADVERTENCIA - Riesgo de Descarga Eléctrica

Ciertas piezas internas no tienen conexión a tierra en forma intencional y pueden presentar un riesgo de descarga eléctrica sólo durante la reparación.

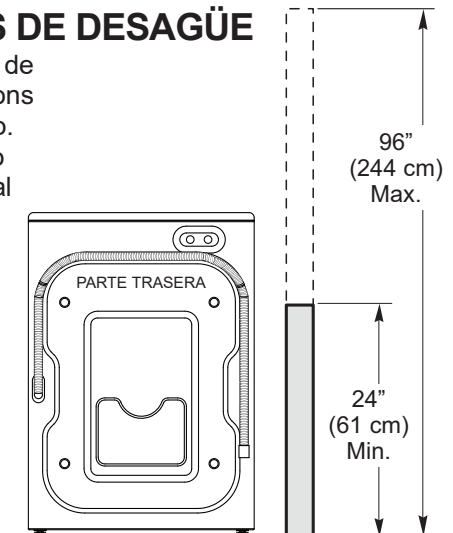
Personal de reparación – NO toque las siguientes piezas cuando el aparato esté recibiendo energía: válvula agua, bomba de desagüe, NTC, calentador, traba de la puerta, tablero inversor, motor y tablero MC.

REQUISITOS DE SUMINISTRO DE AGUA

Las llaves de paso DEBEN ser de 3/4" (1.9 cm) y tipo jardín para que se puedan conectar las tuberías de entrada. La presión del agua DEBE estar entre 10 y 120 libras por pulgada cuadrada. La compañía de agua puede informarle de la presión del agua. La temperatura del agua caliente se debe establecer para suministrar agua a una temperatura de entre 120° y 140°F (48°– 60°C) para brindar un desempeño adecuado del control automático de temperatura (ATC).

REQUISITOS DE DESAGÜE

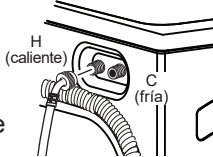
1. Desagüe capaz de eliminar 10 gallons (38 l) por minuto.
2. Diámetro mínimo de tubería vertical de 1 1/4" (3,18 cm).
3. La altura de la tubería vertical desde el suelo debe ser:
Altura mínima: 24" (61 cm)
Altura máxima: 96" (244 cm)



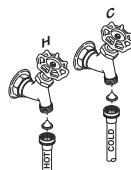
Instrucciones de instalación

INSTALACIÓN DE LA LAVADORA

1. Deje correr un poco de agua de los grifos de agua caliente y fría para purgar las tuberías de agua y eliminar las partículas que puedan obstruir la tubería de entrada y los filtros de la válvula de agua.
2. Saque las tuberías de entrada de la embalaje.
3. Extremo acodado de 90° Verifique que haya una arandela de goma en el extremo acodado de 90° de las tuberías HOT (caliente) y COLD (fría). Vuelva a instalar la arandela de goma en el accesorio de la tubería si se ha caído durante el envío. Conecte con cuidado la tubería de entrada marcada con HOT (Caliente) a la salida "H" exterior de la válvula de agua. Apriete con la mano y, a continuación, apriete 2/3 de vuelta con los alicates. Conecte con cuidado la otra tubería de entrada a la salida "C" interior de la válvula de agua. Apriete con la mano y, a continuación, apriete 2/3 de vuelta con los alicates. **No pase las roscas ni apriete excesivamente estas conexiones.**



4. Si los filtros de pantalla de la manguera de entrada no se encuentran insertados en las mangueras de entrada, instale los mismos insertando estos en los extremos libres de las mangueras de entrada HOT (Caliente) y COLD (Fría) con los extremos protuberantes enfrentados hacia el grifo.
5. Conecte los extremos de la tubería de entrada a las tomas de agua CALIENTE y FRÍA ajustándolos con la mano y, a continuación, apriete de nuevo 2/3 de vuelta con los alicates. Abra la llave de paso y compruebe que no hay ninguna fuga.
6. Desplace la lavadora con cuidado hasta su ubicación final. Mueva suavemente la lavadora para situarla en su lugar. Es importante no dañar las patas niveladoras de caucho al trasladar su lavadora a su ubicación final. Si las patas se dañan podría aumentar la vibración de la lavadora. Podría ser útil rociar el piso con limpiador para ventanas a fin de trasladar más fácilmente su lavadora a su ubicación final.

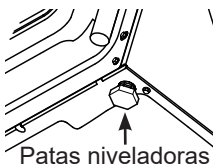


NOTA: Para reducir la vibración, asegúrese de que cada una de las cuatro patas niveladoras estén en contacto con el piso. Empuje y tire de la parte posterior derecha y luego de la parte posterior izquierda de su lavadora.

NOTA: No utilice el depósito de detergente ni la puerta para levantar la lavadora.

NOTA: Si se instala en un depósito de desagüe, puede utilizar una tabla 2x4 de 24 pulgadas de longitud para colocar la lavadora en su lugar haciendo palanca.

7. Una vez situada la lavadora en su posición final, coloque un nivel en la parte superior de la misma (si está instalada debajo de un contador, la lavadora no debería vibrar). Ajuste las patas niveladoras delanteras hacia arriba o hacia abajo para asegurarse que la lavadora se apoya en una superficie sólida. Gire las contratueras de cada pata hacia la base de la lavadora y apriételas con una llave.

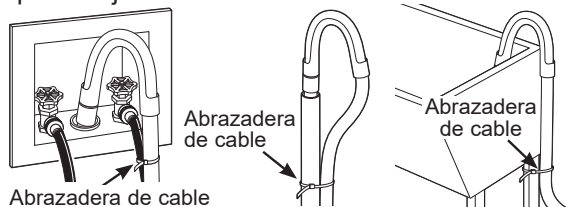


INSTALACIÓN DE LA LAVADORA

NOTA: Mantenga la extensión de los soportes al mínimo para evitar una vibración excesiva. Cuanto más se extiendan las patas, más vibrará la lavadora.

Si el suelo no está nivelado o está dañado, puede que sea necesario extender las patas niveladoras traseras.

8. Coloque la guía de la tubería en forma de U en el extremo de la tubería de desagüe. Coloque la tubería en una pila de lavar o tubería vertical y sujétela con la abrazadera de cable que se proporciona en el paquete adjunto.



NOTA: Colocar la manguera de drenaje muy debajo de la tubería de drenaje puede provocar un efecto de sifón. No debe haber más de 7 pulgadas de manguera en la tubería de drenaje. Debe haber un espacio de aire alrededor de la manguera de drenaje. Si la manguera está muy ajustada, también puede provocarse un efecto de sifón.

9. Enchufe el cable de alimentación en una salida de conexión a tierra.
NOTA: Asegúrese de que la alimentación está cortada en un interruptor/caja de fusibles antes de enchufar el cable de alimentación a una toma de corriente.
10. Conecte la alimentación a un interruptor/caja de fusibles.
11. Lea el resto del Manual del propietario. Contiene información valiosa y útil que supondrá un ahorro de tiempo y dinero.
12. **Antes de poner en funcionamiento la lavadora, asegúrese de comprobar lo siguiente:**
 - La alimentación está conectada.
 - La lavadora está enchufada.
 - Las llaves de paso están abiertas.
 - La lavadora está nivelada y que cada una de las cuatro patas niveladoras estén en contacto con el piso.
 - Las piezas de sujeción para el transporte se han quitado y guardado.
 - La tubería de desagüe se ha asegurado correctamente.
 - No existe ninguna fuga en la llave de paso, la tubería de desagüe ni la lavadora.
13. Ponga en funcionamiento la lavadora en un ciclo completo. Compruebe que no haya fugas de agua y que funcione correctamente.
14. Si la lavadora no funciona, revise la sección Antes de llamar al servicio de asistencia técnica antes de ponerse en contacto con el servicio de asistencia técnica.
15. Coloque las instrucciones en un lugar próximo a la lavadora para futuras consultas.

PIEZAS DE REPUESTO

Si se necesitan piezas de repuesto para la lavadora, se pueden solicitar en Estados Unidos a través del sitio Web GEApplianceparts.com o llamando a GE Appliances a 877.959.8688.

Instrucciones de instalación

CÓMO INVERTIR LA APERTURA DE LA PUERTA (OPCIONAL SOLO EN ALGUNOS MODELOS)

⚠ ADVERTENCIA

Desenchufe el electrodoméstico o apague el disyuntor antes de realizar el servicio técnico. Presionar el botón **Power** (Encendido) **NO** desconecta el encendido.

⚠ ADVERTENCIA - Riesgo de Descarga Eléctrica

Ciertas piezas internas no tienen conexión a tierra en forma intencional y pueden presentar un riesgo de descarga eléctrica sólo durante la reparación.

Personal de reparación – NO toque las siguientes piezas cuando el aparato esté recibiendo energía: válvula agua, bomba de desagüe, NTC, calentador, traba de la puerta, tablero inversor, motor y tablero MC.

NOTAS IMPORTANTES

- Manipule las piezas con cuidado para no rayar la pintura.
- Coloque las puertas sobre una superficie de trabajo que no raye.
- Separe los tornillos por sus piezas relacionadas para evitar usarlos en lugares equivocados.
- Una vez que haya comenzado, no mueva el gabinete hasta haber finalizado la inversión de la apertura de la puerta.
- Estas instrucciones son para cambiar las bisagras lado izquierdo al del lado derecho; si alguna vez desea cambiarlas de nuevo al lado derecho, siga las mismas instrucciones e invierta todas las referencias de izquierda a derecha.

Video



Scan this code to watch a video on this topic.

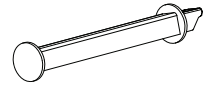
HERRAMIENTA NECESARIA

- Tournevis cruciforme



PIEZA INCLUIDA

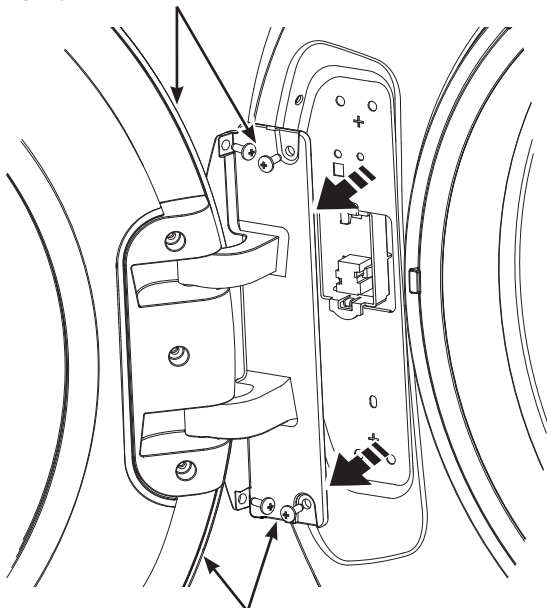
- Barra de Bloqueo



1 RETIRE EL ENSAMBLE DE LA PUERTA

- Abra la puerta de la lavadora.
- Mientras sostiene la puerta, retire los 6 tornillos de la bisagra sobre la cara de la lavadora.
- Levante el ensamble de la puerta para retirar la misma de la cara de la lavadora y deje el ensamble a un costado sobre una superficie de protección.

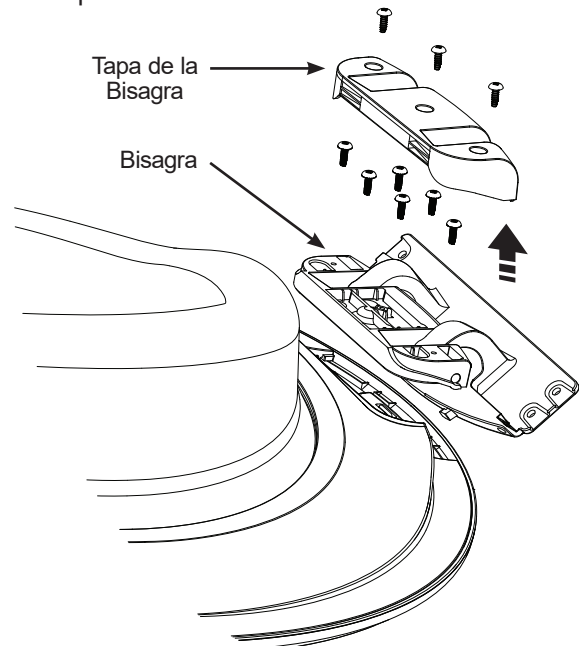
Bisagra y ensamble de la puerta



Sostenga la Puerta y Retire los Tornillos de la Bisagra de la lavadora

2 RETIRE LA BISAGRA DE LA PUERTA

- Retire los 3 tornillos de la tapa de la bisagra y retire la tapa.
- Retire los 6 tornillos de la bisagra y retire la bisagra de la puerta.

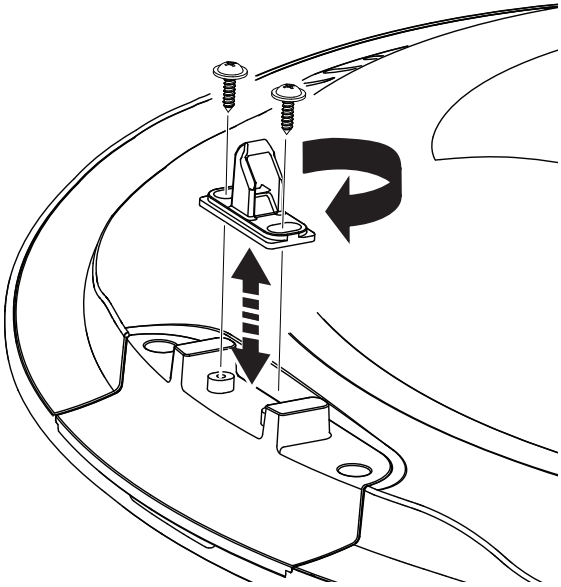


Instrucciones de instalación

CÓMO INVERTIR LA APERTURA DE LA PUERTA (OPCIONAL SOLO EN ALGUNOS MODELOS)

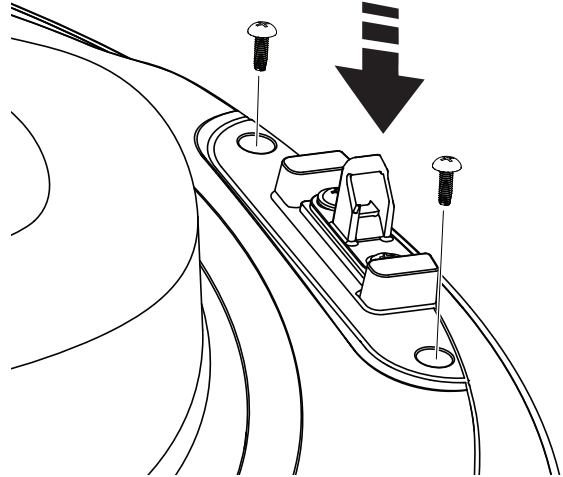
3 RETIRE, INVIERTA, Y REEMPLACE EL TOPE DE LA PUERTA

- Retire los 2 tornillos del tope. Gire el tope 180° y vuelva a instalar el tope con sus tornillos.



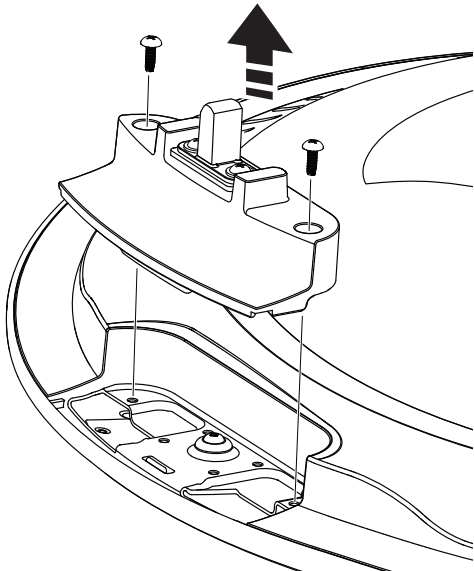
4 RETIRE EL ENSAMBLE DEL TOPE DE LA PUERTA Y REEMPLACE EL MISMO DEL LADO OPUESTO (CONTINUA)

- Gire el ensamble del tope y reemplace el mismo del lado opuesto con sus tornillos.



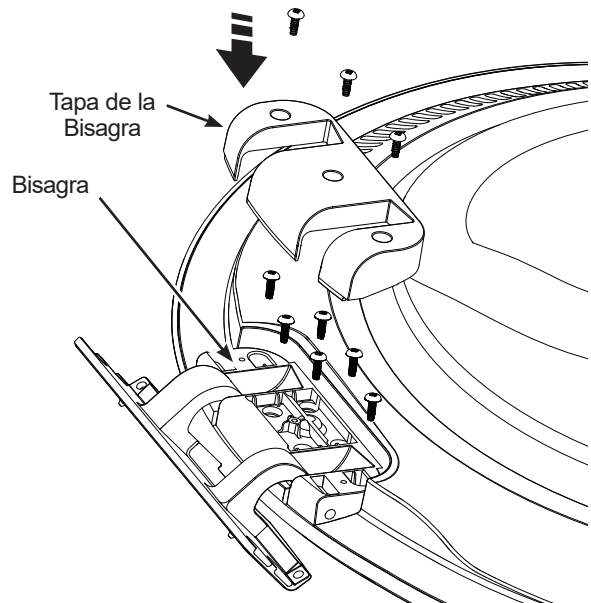
4 RETIRE EL ENSAMBLE DEL TOPE DE LA PUERTA Y REEMPLACE EL MISMO DEL LADO OPUESTO

- Retire los 2 tornillos del ensamble del tope y retire el ensamble empujando el mismo hacia el centro, empujando hacia arriba y luego hacia afuera.



5 REEMPLACE LA BISAGRA DE LA PUERTA Y LA TAPA DE LA BISAGRA DE LA PUERTA DEL LADO OPUESTO

- Gire el ensamble de la puerta y reemplace el mismo del lado opuesto con sus tornillos.
- Gire el tapa de la bisagra y reemplace el mismo del lado opuesto con sus tornillos.

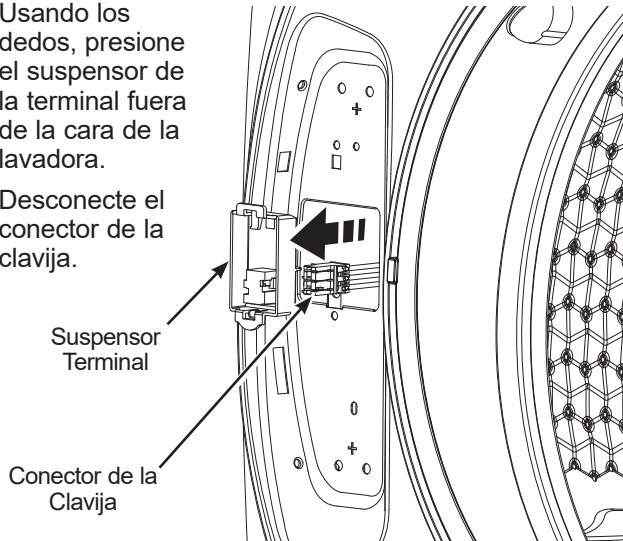


Instrucciones de instalación

CÓMO INVERTIR LA APERTURA DE LA PUERTA (OPCIONAL SOLO EN ALGUNOS MODELOS)

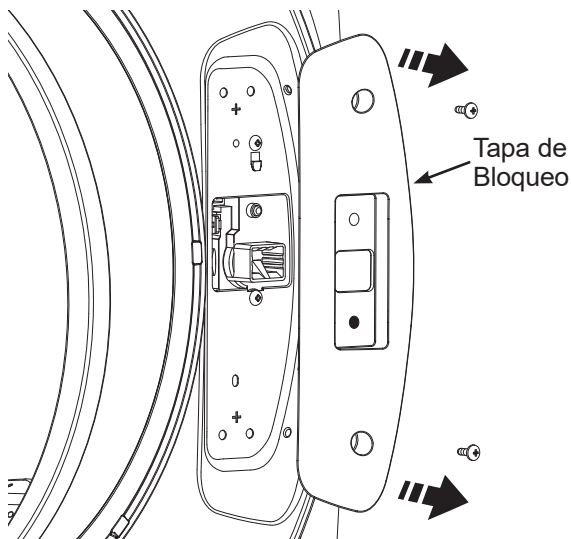
6 RETIRE EL SUSPENSOR DE LA TERMINAL Y DESCONECTE EL CONECTOR DE LA CLAVIJA DE LA LAVADORA

- Usando los dedos, presione el suspensor de la terminal fuera de la cara de la lavadora.
- Desconecte el conector de la clavija.



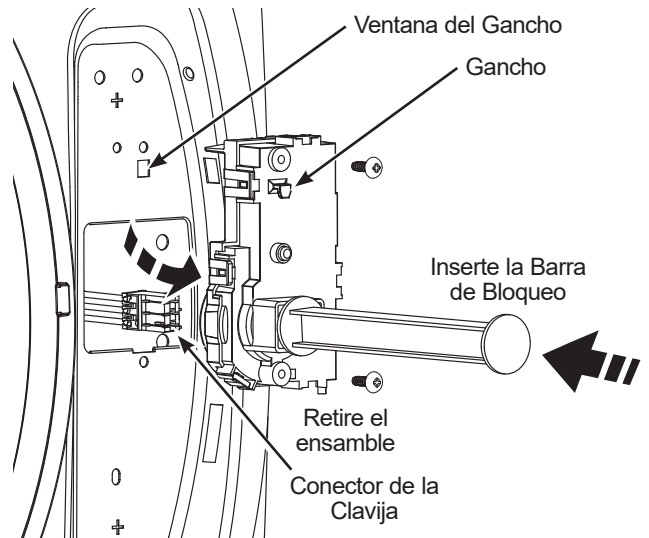
7 RETIRE EL ENSAMBLE DEL BLOQUEO E INSTALE EL MISMO DEL LADO OPUESTO DE LA LAVADORA

- Retire los 2 tornillos de la tapa de bloqueo y retire la misma de la cara de la lavadora.

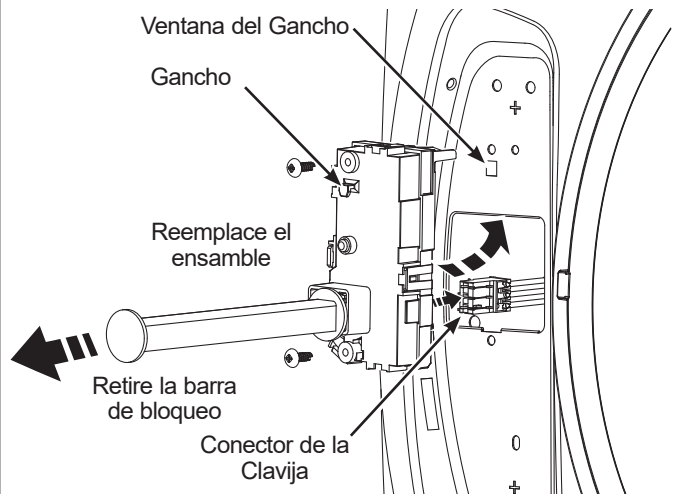


7 RETIRE EL ENSAMBLE DEL BLOQUEO E INSTALE EL MISMO DEL LADO OPUESTO DE LA LAVADORA (CONTINUA)

- Inserte la barra de bloqueo provista en el mecanismo de bloqueo sobre la parte frontal de la lavadora. Retire el ensamblaje de bloqueo retirando sus dos tornillos, usando la barra de bloqueo para levantar el mismo hasta que quede desenganchado, inclinando y empujando éste hacia afuera desde el frente de la lavadora. Desconecte su conector de la clavija destrabando sus bloqueos.



- **NO** gire el ensamblaje del bloqueo. Mueva el mismo hasta el lado opuesto de la lavadora y conecte el conector de la clavija, asegurándose de que calcen completamente juntos. Incline e inserte el ensamblaje del bloqueo en el frente de la lavadora, levante el mismo y asegure su gancho en su ventana. Reemplace sus tornillos. Retire la barra de bloqueo del ensamblaje y conserve la misma para uso futuro.



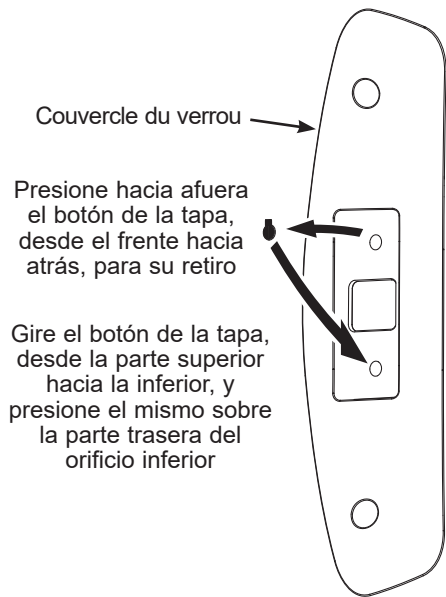
Instrucciones de instalación

CÓMO INVERTIR LA APERTURA DE LA PUERTA (OPCIONAL SOLO EN ALGUNOS MODELOS)

7 RETIRE EL ENSAMBLE DEL BLOQUEO E INSTALE EL MISMO DEL LADO OPUESTO DE LA LAVADORA (CONTINUA)

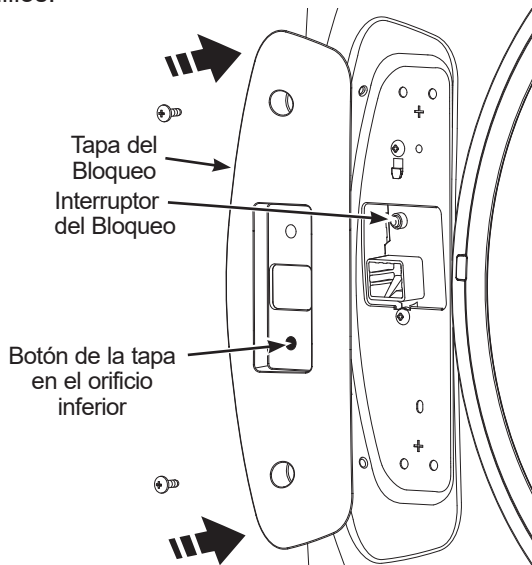
- Retire el botón de la tapa del interruptor de bloqueo de la parte trasera de la placa de la tapa de bloqueo, y vuelva a colocar el mismo en el orificio opuesto de la placa de la tapa de bloqueo.

NOTA: El botón de la tapa se deberá volver a instalar en el orificio inferior de la placa de la tapa de bloqueo, como se muestra.



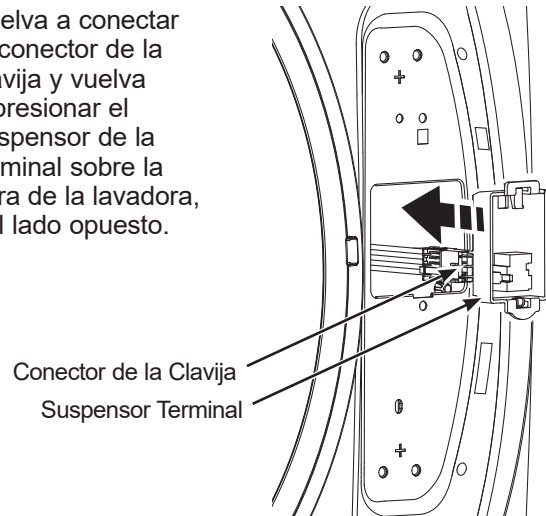
Vista del Lado Frontal

- Instale la tapa del bloqueo sobre el ensamble del bloqueo, asegurándose de que el interruptor del bloqueo funcione de forma libre. Reemplace sus tornillos.



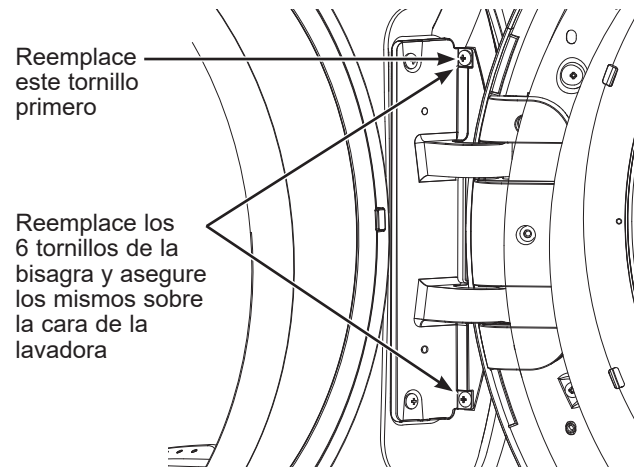
8 VUELVA A CONECTAR EL CONECTOR DE LA CLAVIJA DESDE LA LAVADORA Y REEMPLACE EL SUSPENSOR DE LA TERMINAL

- Vuelva a conectar el conector de la clavija y vuelva a presionar el suspensor de la terminal sobre la cara de la lavadora, del lado opuesto.



9 RETIRE EL ENSAMBLE DE LA PUERTA

- Levante el ensamble de la puerta hasta su posición y asegure el mismo sobre la cara de la lavadora con sus 6 tornillos.



- Cierre la puerta de la lavadora.

NOTA: Masegúrese de que la puerta se abra y se cierre de forma correcta. De no ser así, repita todos los pasos y asegúrese de que todas las partes y tornillos queden posicionados de forma segura.

- Conecte el cable de corriente y encienda el disyuntor.
- Haga que la lavadora realice un ciclo completo, a fin de verificar que su funcionamiento sea correcto.

Consejos para la solución de problemas

Se recomienda enfáticamente conectar la lavadora al WiFi a fin de descargar el software más reciente, recibir actualizaciones de forma periódica y acceder a los beneficios de muchas de las funciones extendidas que están disponibles a través de la Aplicación SmartHQ. Muchas de las funciones de Inteligencia Artificial de su lavadora requieren conexión a la Aplicación SmartHQ. Esto podrá resolver algunos problemas que figuran a continuación.

Problema	Causas posibles	Solución
No hay drenaje No hay rotación No hay giro	La carga está desequilibrada	Redistribuya las prendas y accione el Rinse & Spin (Enjuague & Centrifugado).
		Aumente el tamaño de la carga si lava una carga pequeña que contiene elementos pesados y livianos.
	El filtro de la bomba podría estar obstruido	Ver la Cuidado y limpieza sobre cómo limpiar el Filtro de la bomba .
	La manguera de drenaje está torcida o mal conectada	Enderece la manguera de drenaje y verifique que la lavadora no la esté aplastando.
	El drenaje de la vivienda puede estar obstruido	Controle la cañería de la vivienda. Quizás deba llamar a un plomero
Fugas de agua	La junta de la puerta está desbalanceada	Revise que la junta esté colocada en su sitio y que no se haya roto. Los objetos dejados en los bolsillos podrían causar daños a la lavadora (clavos, tornillos, lápices, bolígrafos).
		El agua podría gotear de la puerta cuando la misma está abierta. Esto forma parte del funcionamiento normal.
		Con cuidado limpie el sellado de goma de la puerta. A veces quedan suciedades o prendas en este sellado y pueden provocarse pequeñas pérdidas.
	Revise la parte posterior izquierda de la lavadora para verificar si hay presencia de agua	Si esta área se encuentra mojada, existe una condición haya roto. Los objetos dejados en los bolsillos podrían dañar la lavadora.
	Las tuberías de toma de agua la tubería de desagüe no se han conectado correctamente	Asegúrese de que se han apretado correctamente las conexiones de las tuberías de la lavadora y las llaves de paso y que el extremo de la tubería de desagüe se ha introducido y fijado correctamente al desagüe.
	Puede que la tubería de desagüe de la vivienda esté obstruida	Compruebe las tuberías de la vivienda. Puede que sea necesario llamar a un plomero.
	Depósito tapado	El jabón en polvo puede provocar atascos dentro del depósito y hacer que salga agua desde el frente del depósito. Quite el cajón y límpielo, al igual que la parte interna de la caja del depósito. Los paquetes de detergente de ropa sucia no deberían ser usados en el dispensador. Sólo se deberían agregar directamente a la canasta de la Combo, siguiendo las instrucciones del fabricante. Consulte la sección de Cuidado y limpieza .
	Uso incorrecto del detergente	Use sólo detergente HE en la cantidad correcta.
	Rotura en la caja del depósito	Si la instalación es nueva, controle que no haya roturas en la parte interna de la caja del depósito.
	Las prendas están muy mojadas	La carga está desequilibrada
Aumente el tamaño de la carga si lava una carga pequeña que contiene elementos pesados y livianos.		
La máquina reducirá la velocidad del centrifugado a 410 rpm si le cuesta equilibrar la carga. Esta velocidad es normal.		
El filtro de la bomba podría estar obstruido		Ver la Cuidado y limpieza sobre cómo limpiar el Filtro de la bomba .
Carga excesiva		El peso seco de la carga debe ser menor a 16 lbs.
La manguera de drenaje está torcida o mal conectada		Enderece la manguera de drenaje y verifique que la lavadora no la esté aplastando.
El drenaje de la vivienda puede estar obstruido		Controle la cañería de la vivienda. Quizás deba llamar a un plomero.
La manguera de drenaje hace efecto sifón; la manguera de drenaje se ha empujado muy profundamente dentro del drenaje.	Verifique que haya un espacio de aire entre la manguera y el drenaje. Además, asegúrese de que la manguera de drenaje no esté insertada más de 7" en el tubo de drenaje.	

Consejos para la solución de problemas

Problema	Causas posibles	Solución
Ciclo incompleto o el temporizador no avanza	Redistribución de carga automática	El temporizador puede sumar hasta 3 minutos de ciclo para cada rebalanceo. Pueden efectuarse 11 o 15 reequilibrios. Esto es una operación normal. No haga nada; la máquina finalizará el ciclo de lavado.
	El filtro de la bomba podría estar obstruido	Ver la Cuidado y limpieza sobre cómo limpiar el Filtro de la bomba .
	La manguera de drenaje está torcida o mal conectada	Enderece la manguera de drenaje y verifique que la lavadora no la esté aplastando.
	El drenaje de la vivienda puede estar obstruido	Controle la cañería de la vivienda. Quizás deba llamar a un plomero.
	La manguera de drenaje hace efecto sifón; la manguera de drenaje se ha empujado muy profundamente dentro del drenaje	Verifique que haya un espacio de aire entre la manguera y el drenaje.
Ruido fuerte o inusual; vibración o movimiento	Se mueve el gabinete	La lavadora está diseñada para moverse 1/4" para reducir las fuerzas transmitidas al piso. Este movimiento es normal.
	Las patas de nivelación de goma no tocan el piso firmemente	Presione y tire en la parte trasera derecha y luego en la parte trasera izquierda de su lavadora para verificar que esté nivelada. Si la lavadora está desequilibrada, ajuste las patas de nivelación de goma para que estén firmemente en contacto con el piso y trabadas en su lugar.
	Carga desequilibrada	Pausar la unidad, abra la puerta y redistribuya la carga manualmente. Para controlar la máquina, accione el enjuague y centrifugado sin carga. Si es normal, el desequilibrio fue provocado por la carga.
	El filtro de la bomba podría estar obstruido	Ver la Cuidado y limpieza sobre cómo limpiar el Filtro de la bomba .
No hay suministro eléctrico/la lavadora no está en funcionamiento	La lavadora está desconectada	Asegúrese de que el cable esté enchufado de manera segura en un enchufe funcional.
	El suministro de agua está cerrado	Abra por completo las llaves de paso de agua fría y caliente.
	El interruptor/fusible se ha quemado/saltado	Compruebe los interruptores/fusibles de la vivienda. Cambie los fusibles o restablezca el interruptor La lavadora debe tener una toma individual.
	Revisiones automáticas del sistema	La primera vez que se enchufa la lavadora, se efectúan las verificaciones automáticas. Podrían pasar hasta 20 segundos antes de que pueda utilizar su lavadora. Esto forma parte del funcionamiento normal.
"H2O SUPPLY" (Suministro de H2O) aparece en la pantalla	No ingresa agua a la lavadora	Para más detalles, consulte la sección del Indicador de Ayuda al Consumidor .
"CAnCELEd" (Cancelado) aparece en la pantalla.	La lavadora quedó en pausa o se detuvo	Para más detalles, consulte la sección del Indicador de Ayuda al Consumidor .
"door" (puerta) aparece en la pantalla	La puerta no está completamente cerrada o se iniciaron 3 ciclos sin ninguna apertura de puerta entre estos	Para más detalles, consulte la sección del Indicador de Ayuda al Consumidor .
Enganchones, agujeros, Ver rotos, rasgaduras o deterioro excesivo	Sobrecargado	No supere los tamaños máximos recomendados de carga. Ver la sección de Carga para los tamaños máximos recomendados de carga.
	Lápices, bolígrafos, clavos, tornillos u otros objetos dejados en los bolsillos	Retire todos los elementos sueltos de los bolsillos.
	Alfileres, broches, corchetes, botones en punta, hebillas de cinturones, cremalleras y objetos puntiagudos olvidados en los bolsillos	• Abroche los corchetes, broches, botones y cremalleras.
Error o cambios en el control de tiempo	Esto es normal	Durante el giro, es posible que en ocasiones se necesite volver a equilibrar la carga de la lavadora a fin de reducir vibraciones. Cuando esto sucede, se produce como consecuencia una prolongación en el tiempo estimado de lavado.

Consejos para la solución de problemas

Problema	Causas posibles	Solución
Cantidad de agua insuficiente	Esto es normal	Las lavadoras horizontales no requieren que el tubo se llene de agua, como sí ocurre con las lavadoras con carga superior.
La lavadora se detiene o se debe reiniciar o la puerta de la lavadora lavadora está bloqueada y no se abre	El filtro de la bomba podría estar obstruido	Ver la Cuidado y limpieza sobre cómo limpiar el Filtro de la bomba .
La puerta no se destraba o presiona Start (inicio) y la máquina no funciona	Esto es normal	Las lavadoras con tapa frontal comienzan su funcionamiento de manera diferente que las lavadoras con carga superior, y toma varios segundos realizar un control del sistema. La puerta se bloqueará y desbloqueará.
	Funcionamiento incorrecto	Simplemente abra y cierre la puerta firmemente y luego presione Start (Iniciar).
	Bloqueo de control activado	Mantenga pulsado el botón Control Lock (Bloquear de control) durante 3 segundos.
El agua no ingresa a la lavadora o ingresa muy lentamente	Auto-controles automáticos del sistema	Después de presionar Start (Iniciar), la lavadora realiza varios controles del sistema. El agua comenzará a correr varios segundos después de presionar Start (Iniciar).
	Los filtros de válvula de agua quedaron trabados	Cierre el suministro de agua y quite las mangueras de conexión de agua de la parte superior trasera de la lavadora. Utilice un cepillo o escarbadientes para limpiar los filtros de la máquina. Vuelva a conectar las mangueras y abra el suministro de agua.
	Arandelas del filtro de entrada de agua están obstruidos	Cierre la llave de paso y quite las tuberías de conexión de agua de la parte trasera superior de la lavadora. Utilice un cepillo o un palillo de dientes para limpiar los filtros de la lavadora. Vuelva a conectar las tuberías y abra la llave de paso.
	El filtro de la bomba podría estar obstruido	Ver la Cuidado y limpieza sobre cómo limpiar el Filtro de la bomba .
	Las mangueras de llenado puede estar torcida	Verifique que las mangueras de llenado no se encuentren torcidas o tapadas.
	El suministro de agua está cerrado	Abra por completo los grifos de agua caliente y fría.
	Eficiencia de energía	Esta es una lavadora con buen rendimiento de energía. Como resultado, las configuraciones de temperatura para esta lavadora pueden ser diferentes a las de una lavadora común sin esta característica.
	Suministro de agua insuficiente	Asegúrese de que el suministro de agua esté accionado. Verifique que los grifos de agua estén abiertos por completo.
	La puerta de la lavadora está abierta	La puerta de la lavadora debe estar cerrada durante todas las operaciones de ciclo de lavado. Si se abre la puerta durante una operación de lavado, todas las funciones se detendrán, incluyendo el ingreso de agua.
	Conexión incorrecta de la manguera de llenado	Asegúrese de que las mangueras de llenado conecten el suministro de agua caliente a la entrada de agua caliente de la lavadora y el suministro de agua fría a la entrada de agua fría (caliente a caliente, fría a fría).
Formación de arrugas	Clasificación inadecuada	No mezcle elementos pesados (como prendas de trabajo) con prendas livianas (como blusas).
	Carga excesiva	Cargue la lavadora de manera que haya suficiente espacio para que las prendas se muevan libremente.
	Ciclo de lavado incorrecto	Coincida la selección del ciclo con el tipo de tela que está lavando (especialmente para cargas de cuidado fácil).
	Lavados repetidos en agua demasiado caliente	Lave con agua tibia o fría.

Consejos para la solución de problemas

Problema	Causas posibles	Solución
Prendas grises o amarillentas	No se colocó suficiente detergente	Use la cantidad correcta de detergente.
	No se usó detergente HE (alta eficiencia)	Use sólo detergente HE.
	Agua dura	Utilice agua caliente segura para las telas.
		Utilice un acondicionador de agua como Calgon o instale un suavizante de agua.
	El agua no está lo suficientemente caliente	Verifique que el calentador de agua esté suministrando agua a 120°–140°F (48°–60°C).
	El detergente no se disuelve o usa demasiado suavizante de tela	Pruebe con un detergente HE líquido. Use menos suavizante de tela.
Transferencia de colores	Divida las prendas por color. Si la etiqueta de la tela dice “lavar por separado”, puede indicarse colores inestables.	
Manchas de color	Uso incorrecto del suavizante de telas	Consulte el paquete del suavizante de telas sobre las instrucciones y siga las indicaciones de uso del depósito.
	Dye transfer	Separe los blancos o los colores claros de los colores oscuros.
		Quite rápidamente la carga de la lavadora.
La temperatura del agua es incorrecta	El suministro de agua está mal conectado	Verifique que las mangueras estén conectadas a los grifos correctos
	El calentador de agua de la vivienda no está bien configurado	Verifique que el calentador de agua de la vivienda esté suministrando agua a 120°–140°F (48°–60°C). (CALIENTE a CALIENTE y FRÍA a FRÍA).
Mal olor dentro de la lavadora	La lavadora no se usó durante un período prolongado, no se utiliza una calidad recomendada de detergentes HE (alta eficiencia) o se está usando demasiado detergente	De forma regular use UTRAFRESH VENT (Ventilación Ultra Fresca) entre usos.
		En caso de un fuerte olor, puede necesitarse el funcionamiento del ciclo Self Clean (Limpieza de tambor) más de una vez.
		Use sólo la cantidad de detergente recomendada o ajuste SmartDispense (Dispensado Inteligente) en LOW (Bajo).
		Use sólo detergente HE (alta eficiencia).
		Retire siempre los artículos húmedos de la lavadora inmediatamente después de que la máquina deje de funcionar o usar 1 Step Wash + Dry o Tumble Care .
		Si elige no usar el Sistema UTRAFRESH VENT (Ventilación Ultra Fresca), deje la puerta entornada de modo que la lavadora se seque con el aire. Se requiere una supervisión estricta cuando este aparato es utilizado por niños o en su cercanía. NO permita que los niños jueguen sobre o dentro de este electrodoméstico.
Hay residuos de pelusa, etc. en el filtro de la bomba de drenaje, los cuales se deberán limpiar	Ver la Cuidado y limpieza sobre cómo limpiar el Filtro de la bomba .	
La manguera de drenaje se ha empujado muy profundamente dentro del drenaje	Consulte la sección Instrucciones de instalación para obtener información sobre la instalación adecuada.	
Pérdida de detergente	Esto es normal	Es normal ver una pérdida de detergente sobre la junta de la puerta alrededor de 20 segundos después de llenar el depósito.
Dosificación inadecuada de suavizante o blanqueador	Depósito tapado	Monthly clean the dispenser drawer to remove buildup of chemicals.
	Se colocó suavizante o blanqueador por encima de la línea máxima de llenado.	Asegúrese de contar con la cantidad correcta de suavizante.
El cajón dispensador no dispensa de forma adecuada	El paquete de detergente para ropa sucia se colocó en el cajón dispensador	Los paquetes de detergente de ropa sucia no deberían ser usados en el dispensador. Sólo se deberían agregar directamente a la canasta de la lavadora, siguiendo las instrucciones del fabricante.
La bomba funciona mientras la lavadora no se encuentra en uso	Atascada en el drenaje del sumidero	Esto es normal. El drenaje del sumidero está detectando un nivel de llenado de agua no deseado desde un grifo posiblemente abierto. Cierre la válvula de agua e inspeccione que no haya bloqueos en la misma. Asegúrese de contar con las actualizaciones más recientes para su lavadora, disponibles a través de la Aplicación SmartHQ.

Garantía limitada de la lavadora GE Appliances

GEAppliances.com

Todo el servicio de garantía es provisto por nuestros Centros de Servicio de Fabricación, o un técnico autorizado de Servicio al Cliente (Customer Care®). Para programar una visita del servicio técnico, visítenos a través de Internet en **GEAppliances.com/service**, o llame GE Appliances al 800.GE.CARES (800.432.2737). Cuando llame para solicitar el servicio, tenga los números de serie y modelo disponibles.

Para realizar el servicio técnico de su electrodoméstico se podrá requerir el uso de datos del puerto de abordaje para su diagnóstico. Esto da al técnico del Servicio de Fábrica de GE Appliances la habilidad de diagnosticar de forma rápida cualquier problema con su electrodoméstico, y de ayudar a GE Appliances a mejorar sus productos al brindarle a GE Appliances la información sobre su electrodoméstico. Si no desea que los datos de su electrodoméstico sean enviados a GE Appliances, solicitamos que le indique a su técnico NO entregar los datos a GE Appliances en el momento del servicio.

Por el Período de:	Se sustituirá:
Un Año Desde la fecha de compra original	Cualquier pieza de la lavadora que falle debido a un defecto de los materiales o la mano de obra. Durante esta garantía limitada de un año , también ofrecemos, en forma gratuita , toda la mano de obra y los costos de servicio para reemplazar la pieza defectuosa.
Diez años Desde la fecha de compra original	El motor , si falla debido a un defecto de fabricación o de mano de obra. Durante estos nueve años adicionales de garantía limitada , usted será responsable por cualquier trabajo y los costos relacionados con el servicio técnico.

Qué No Cubrirá GE Appliances:

- Viajes del personal de servicio a su casa para enseñarle cómo usar su producto.
- Instalación, entrega o mantenimiento inapropiada.
- Fallas del producto si es maltratado, mal usado, o usado para un propósito diferente del que se creó o si es usado para usos comerciales.
- Cambio de los fusibles de su casa o reajuste del circuito de interruptores.
- Productos sin defectos o rotos, o los cuales se encuentran funcionando como se indica en el Manual del propietario.
- Daños al producto causados por accidentes, incendios, inundaciones o actos de la naturaleza.
- Daños imprevistos resultantes causados por posibles defectos con este electrodoméstico.
- Defectos o daños debido a la puesta en funcionamiento a temperaturas de congelación.
- Daños causados después del envío.
- Producto no accesible para facilitar el servicio requerido.

EXCLUSIÓN DE GARANTÍAS IMPLÍCITAS

Su única y exclusiva alternativa es la reparación del producto, como se indica en la Garantía Limitada. Las garantías implícitas, incluyendo garantías implícitas de comerciabilidad o conveniencia sobre un propósito particular, se limitan a un año o al período más corto permitido por la ley.

Esta garantía limitada se extiende al comprador original y a cualquier propietario subsecuente para productos comprados para uso doméstico dentro Estados Unidos. Si el producto está situado en un área que no dispone de servicio por parte de un proveedor de servicio autorizado de GE Appliances, podría tener que hacerse cargo de los costes de envío o bien podría solicitársele que lleve el producto a un centro de servicio de GE Appliances autorizado para realizar la reparación. En Alaska, la garantía limitada excluye el costo de envío o las visitas de servicio a su casa.

Algunos estados no permiten la exclusión o limitación de daños imprevistos. Esta garantía limitada le da sus derechos legales específicos, y es posible que usted tenga otros derechos legales que varían de estado a estado. Para informarse de cuáles son sus derechos legales, consulte a su oficina de asuntos del consumidor local o estatal o póngase en contacto con la Oficina de su Procurador General.

Garante: GE Appliances, a Haier company, Louisville, KY 40225

Garantías Extendidas: Adquiera una garantía extendida de GE Appliances y conozca los descuentos especiales que están disponibles mientras su garantía aún está vigente. Puede acceder a la misma a través de Internet en cualquier momento en

geappliances.com/extended-warranty

o llamando al 800.626.2224 durante el horario comercial. Los Servicios para los GE Appliances aún estarán disponibles cuando su garantía caduque.

Aproche su recibo aquí. Para acceder al servicio técnico de acuerdo con la garantía deberá contar con la prueba de la fecha original de compra.

Soporte para el Consumidor

Sitio Web de GE Appliances

¿Desea realizar una consulta o necesita ayuda con su electrodoméstico? ¡Intente a través del Sitio Web de GE Appliances las 24 horas del día, cualquier día del año! Usted también puede comprar más electrodomésticos maravillosos de GE Appliances y aprovechar todos nuestros servicios de soporte a través de Internet, diseñados para su conveniencia. **GEAppliances.com**

Registre su Electrodoméstico

¡Registre su electrodoméstico nuevo a través de Internet, según su conveniencia! Un registro puntual de su producto permitirá una mejor comunicación y un servicio más puntual de acuerdo con los términos de su garantía, en caso de surgir la necesidad. También puede enviar una carta en la tarjeta de inscripción preimpresa que se incluye con el material embalado. **GEAppliances.com/register**

Servicio Programado

El servicio de reparación de expertos de GE Appliances está a sólo un paso de su puerta. Conéctese a través de Internet y programe su servicio a su conveniencia cualquier día del año.

GEAppliances.com/service

o comuníquese al 800.432.2737 durante el horario de atención comercial.

Garantías Extendidas

Adquiera una garantía extendida de GE Appliances y conozca los descuentos especiales que están disponibles mientras su garantía aún está vigente. La puede adquirir en cualquier momento a través de Internet. Los servicios de GE Appliances aún estarán allí cuando su garantía caduque.

GEAppliances.com/extended-warranty

o comuníquese al 800.626.2224 durante el horario de atención comercial.

Conectividad Remota

Para solicitar asistencia para la conectividad de red inalámbrica (para modelos con acceso remoto), visite nuestro sitio web en **GEAppliances.com/connect** o comuníquese al 800.220.6899.

Piezas y Accesorios

Aquellos individuos calificados para realizar el servicio técnico de sus propios electrodomésticos podrán solicitar el envío de piezas o accesorios directamente a sus hogares (se aceptan las tarjetas VISA, MasterCard y Discover). Ordene hoy a través de Internet durante las 24 horas, todos los días. **GEApplianceparts.com** o de forma telefónica al 877.959.8688 durante el horario de atención comercial.

Las instrucciones que figuran en este manual cubren los procedimientos que serán realizados por cualquier usuario. Otros servicios técnicos generalmente deben ser derivados a personal calificado del servicio. Se deberá tener cuidado, ya que una reparación indebida podrá hacer que el funcionamiento no sea seguro.

Contáctenos

Si no se encuentra satisfecho con el servicio que recibió de GE Appliances, comuníquese con nosotros a través de nuestro sitio Web con todos los detalles, incluyendo su número telefónico, o escriba a:

General Manager, Customer Relations | GE Appliances, Appliance Park | Louisville, KY 40225

GEAppliances.com/contact o comuníquese al 800.626.2000

GUIDE DE RÉFÉRENCE RAPIDE

Comment démarrer

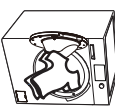
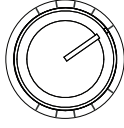



Étape 1
Chargez les vêtements dans votre laveuse et fermez la porte.

Étape 2
Tournez le cadran pour activer l'afficheur et sélectionnez le cycle désiré

Étape 3
Ouvrez le distributeur pour ajouter le détergent, ou sur les modèles avec SmartDispense™, réglez SmartDispense comme désiré.

Étape 4
Appuyez sur Start pour commencer le cycle de lavage. À la fin du cycle, la porte se déverrouillera.

Étape 5
Pour les laveuses ayant la caractéristique UltraFresh Vent™, sélectionnez cette option pour éliminer l'excès d'humidité si vous ne devez pas laver prochainement ou laissez la porte de la laveuse légèrement entrouverte.

Essayez les caractéristiques de cette laveuse (non disponibles sur tous les modèles)

UltraFresh Vent™
Contribue à éliminer l'humidité excédentaire afin de prévenir les odeurs pour que votre laveuse demeure fraîche et propre.

OdorBlock™
La technologie Microban® procure une protection antimicrobienne durable, d'une brassée à l'autre.








SmartDispense™
Le distributeur fournit jusqu'à 32 brassées et distribue automatiquement la quantité exacte à chaque fois.

1 Step Wash+Dry
Lave et sèche une petite brassée pour éviter de transférer les vêtements dans la sècheuse.

Time Saver
Procure un lavage complet pour n'importe quels tailles et types de brassée en seulement 35 minutes.

WiFi SMART
Surveille et contrôle votre lavage depuis n'importe où et reçoit mises à jour et avis en temps réel.

dBt™ QUIET CONTROL
La détection embarquée permet d'équilibrer la charge en temps réel durant l'essorage afin de sauver du temps et réduire le bruit.

Entretien et Nettoyage

Nettoyage du filtre de pompe

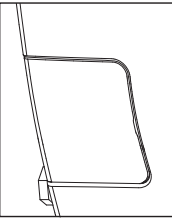
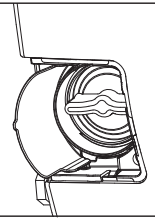
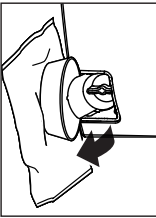
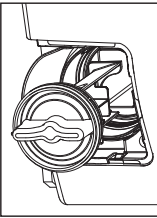
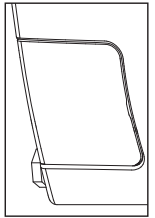
Étape 1 : Ouvrez la porte d'accès à l'aide d'un petit tournevis à tête plate ou pièce de monnaie et tirez sur le bec verseur.

Étape 2 : Placez un plat ou un bac peu profond sous la porte d'accès à la pompe et des serviettes sur le sol devant la laveuse pour protéger le sol. Il est normal de recueillir environ une tasse d'eau lorsque le filtre est retiré.

Étape 3 : Tournez le filtre de la pompe dans le sens inverse des aiguilles d'une montre et retirez lentement le filtre, en contrôlant le débit de l'eau évacuée.

Étape 4 : Nettoyez les débris du filtre.

Étape 5 : Remettez le filtre en place et tournez dans le sens des aiguilles d'une montre. Serrez fermement. Relevez le bec verseur et fermez la porte d'accès.

Nettoyage de l'intérieur de la laveuse

Pour nettoyer l'intérieur de la laveuse, utilisez le cycle **SELF CLEAN** en suivant la procédure suivante :

Étape 1 : Enlevez tout vêtement ou objet de la laveuse et assurez-vous que le panier de la laveuse est vide.

Étape 2 : Ouvrez la porte et versez 250 ml de javellisant liquide ou autre nettoyant de lavage dans le panier.

Étape 3 : Fermez la porte et choisissez le cycle de **SELF CLEAN**. Appuyez sur la Touche « Start ».

Étape 4 : Lorsque le cycle **SELF CLEAN** est en marche, l'afficheur indique l'évaluation de la durée restante du cycle. Le cycle sera terminé en environ 90 minutes. N'interrompez pas le cycle.

IMPORTANT

- Effectuez un cycle **SELF CLEAN** avec 250 ml de javellisant une fois par mois.
- Lorsque le cycle **SELF CLEAN** est terminé, l'intérieur de votre laveuse peut avoir une odeur de javellisant.
- Il est recommandé de laver une **RINSE & SPIN** ou brassée de couleur pâle après le cycle de **SELF CLEAN**.

Nettoyage du joint d'étanchéité de la porte


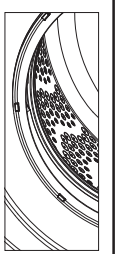
Étape 1 : Ouvrez la porte de la laveuse.

Étape 2 : poussez le joint détaché vers le bas et tirez le joint d'étanchéité intérieur vers le bas avec vos doigts.

Étape 3 : Enlevez tout objet étranger qui pourrait se trouver dans le joint.

Étape 4 : Une fois le nettoyage du joint détaché de la porte terminé, relâchez-le et il retournera à sa position de fonctionnement.

NOTE : Assurez-vous que rien ne bloque les trous derrière le joint.

Service

Si nécessaire, planifiez une visite de electromenagersge.ca/fr/soutien/de-mande-de-service ou composez le 800.561.3344.

GE est une marque déposée de General Electric Company. Fabriqué sous licence de marque.

Entretien périodique

Les pièces et accessoires d'origine GE Appliances facilitent l'entretien des électroménagers. Pour commander directement, allez sur le site electromenagersge.ca ou composez le 800.661.1616.



GE APPLIANCES

GUIDE D'INSTALLATION RAPIDE



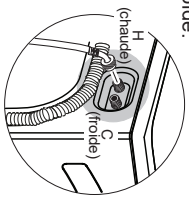
NE PAS JETER.
CONSERVER POUR USAGE ULTÉRIEUR.

AAVERTISSEMENT Pour votre sécurité

- Pour réduire le risque d'incendie, de choc électrique ou de blessure, lisez les **CONSIGNES DE SÉCURITÉ IMPORTANTES** avant de faire fonctionner cet appareil.
- N'installez pas et ne rangez pas l'électroménager dans une zone où il sera exposé à l'égouttement d'eau ou aux conditions climatiques extérieures.
- Voyez la section Emplacement de votre laveuse.
- **NOTE** : Cet électroménager doit être correctement mis à la terre et installé conformément aux étapes et dans ce manuel. Le branchement électrique à la laveuse doit être conforme aux codes et règlements locaux et à la dernière édition du **National Electrical Code, ANS/NFPA 70**.

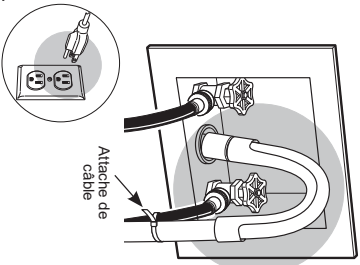
3 Connecter les tuyaux à la laveuse

- Faites couler l'eau des deux robinets pour rincer les conduites et retirer les particules qui pourraient obstruer les tamis des robinets d'eau.
 - Assurez-vous qu'une rondelle en caoutchouc se trouve dans l'extrémité des tuyaux d'eau chaude et froide.
 - Branchez les extrémités du tuyau d'entrée aux robinets d'eau « C » et « H ».
 - Serrant légèrement à la main, puis en serrant encore 2/3 de tour avec des pinces.
 - Ne faussez pas le filetage ou ne serrez pas trop ces branchements.
- Nous recommandons des tuyaux d'entrée munis d'un coude de 90° à une extrémité. Le coude de 90° doit être installé sur la laveuse tel qu'illustré ci-dessus.



6 Installer le tuyau de vidange et brancher la laveuse

- Attachez le guide de tuyau en U à l'extrémité du tuyau de vidange.
- Placez le tuyau dans une cuve à lessive ou un tuyau vertical et liez-le avec la ligature de câble.
- Si le tuyau de vidange est placé dans une conduite verticale, son extrémité doit pénétrer de 4 à 7 pouces dans la conduite.
- Si vous désirez inverser la porte, passez à l'étape 7 maintenant.
- Plug washer into a grounded outlet. N'utilisez pas de rallonge électrique o d'adaptateur de prise.

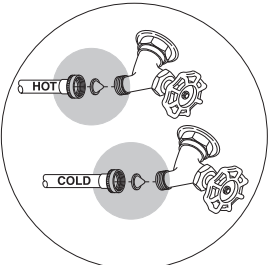


1 Déballage de la laveuse

PIÈCES FOURNIES	OUTILS NÉCESSAIRES	PIÈCES REQUISES (vendues séparément ou inclus avec le modèle GFWS10)
<input type="checkbox"/> Attache de câble <input type="checkbox"/> Guide de tuyau <input type="checkbox"/> 4 Couvertres de boulons d'expédition <input type="checkbox"/> Barre de verrouillage (Pour l'option Inversion de l'ouverture de la porte)	<input type="checkbox"/> Clé à molette <input type="checkbox"/> Pince multiprise à crémaillère <input type="checkbox"/> Tournevis cruciforme <input type="checkbox"/> Niveau	<input type="checkbox"/> Rondelles en caoutchouc (2) et grillages pour crépine (2)

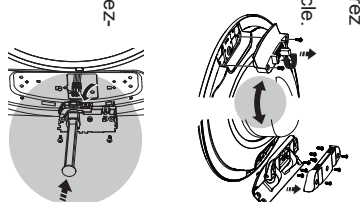
4 Connecter les tuyaux à l'alimentation d'eau

- Assurez-vous qu'une crépine est insérée dans l'extrémité robinet des deux tuyaux avec le côté bombé orienté vers le robinet. Si une rondelle en caoutchouc est déjà installée, retirez-la avant d'insérer la crépine.
- Connectez le tuyau d'entrée de la sortie « H » au robinet d'eau chaude et le tuyau d'entrée de la sortie « C » au robinet d'eau froide.
- Serrant légèrement à la main, puis en serrant encore 2/3 de tour avec des pinces.
- Ouvrez l'eau et vérifiez qu'il n'y ait pas de fuite.



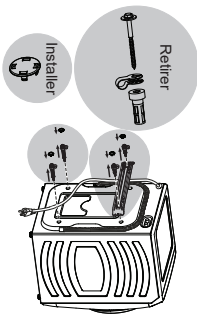
7 Optionnel : Inverser la porte de la laveuse

- Tout en supportant la porte ouverte, retirez les vis de la charnière.
- Retirez la charnière de porte et son couvercle.
- Retirez l'assemblage de gâche de la porte, inversez la gâche et replacez l'assemblage sur le côté opposé.
- Replacez la charnière de porte et son couvercle sur le côté opposé.
- Retirez le bornier et débranchez le connecteur à broches.
- Retirez l'assemblage de verrou et installez-le sur le côté opposé de la laveuse.
- Rebranchez le connecteur à broches et replacez le support de bornier.
- Replacez l'assemblage de porte.



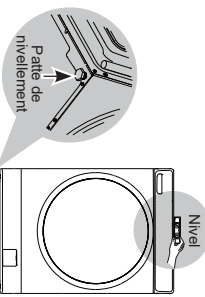
2 Retirer la quincaillerie d'expédition

- Une fois la laveuse située à moins de 4 pieds (1,22 m) de sa destination, utilisez une clé ou une douille 1/2 po pour retirer les éléments suivants de la face arrière :
- 4 boulons
 - 4 bagues en matière plastique (compris les dispositifs de retenue du cordon d'alimentation et les anneaux en caoutchouc)
 - 1 support
- Une fois les boulons et les espaceurs d'expédition retirés, insérez les capuchons de trou dans les trous de boulon. Conservez toute la documentation de quincaillerie pour usage futur. Recyclez ou détruisez le carton après le déballage de la laveuse.



5 Nivelier la laveuse

- Balancez avec soin la laveuse jusqu'à sa position finale, en vous assurant que les tuyaux d'entrée ne sont pas pliés.
- N'utilisez pas la porte ou le tiror de distribution pour soulever la laveuse.
- Placez un niveau sur le dessus.
- Ajustez les pattes de nivellement avant vers le haut ou vers le bas pour vous assurer qu'elle ne bouge pas.
- Tournez les contre-écrous de chaque patte vers la base de la laveuse et serrez avec une clé anglaise.
- Level washer both side-to-side and front-to-back.



8 Liste de vérification de l'installation finale

- L'alimentation principale est sous tension. La laveuse est branchée.
- Les robinets sont ouverts. Les tuyaux d'eau sont connectés solidement sans fuites aux deux extrémités.
- L'appareil est de niveau et toutes les pattes reposent sur le plancher.
- Les boulons et espaceurs d'expédition sont retirés et rangés pour utilisation ultérieure.
- Le tuyau de vidange est placé dans une baignoire ou une conduite verticale et il est attaché avec une attache de câble.
- Lavez une brassée de vêtements en sélectionnant le cycle **Quick Wash**. Vérifiez l'absence de fuites.
- Lorsque la brassée tourne à haute vitesse, vérifiez que la laveuse et les pattes de nivellement sont stables.