

# GE® 4.6 cu. ft. Capacity Front Load ENERGY STAR® Washer with UltraFresh Vent System with OdorBlock™

GE® 4.6 cu. ft. Capacity Front Load ENERGY STAR® Washer with UltraFresh Vent System with OdorBlock™

## DIMENSIONS AND INSTALLATION INFORMATION (IN INCHES)

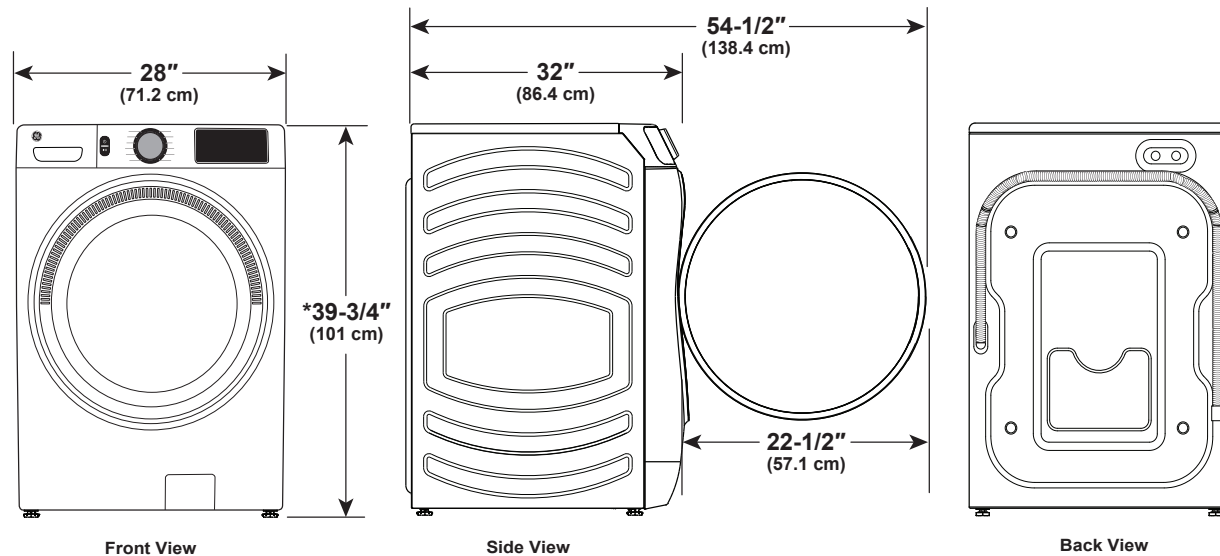
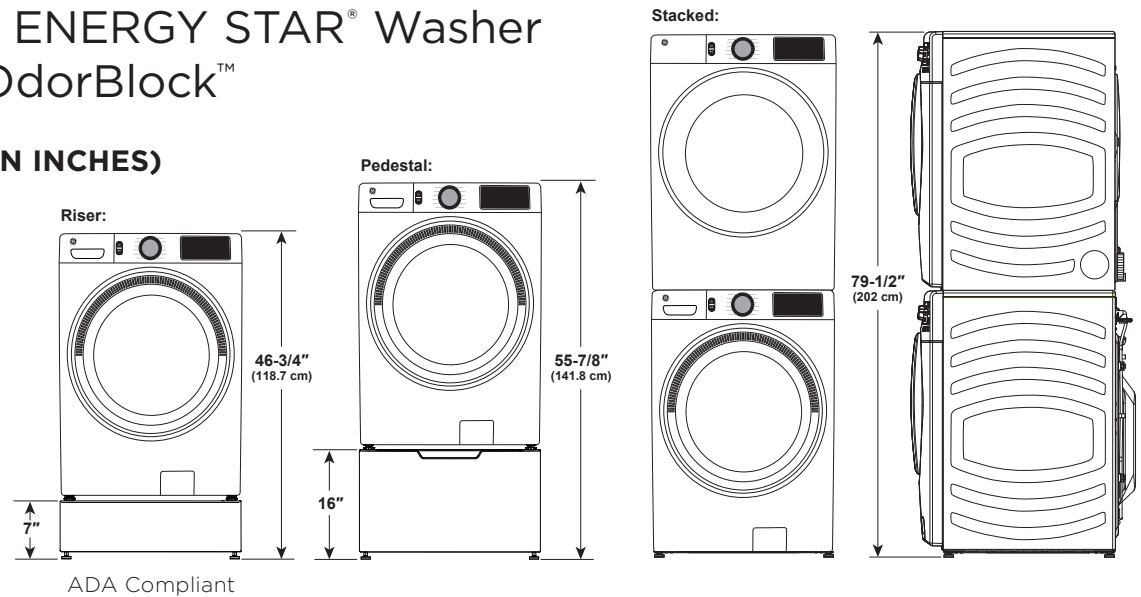
ELECTRIC RATING	
120V	11.0A, 60Hz

### INSTALLATION INFORMATION:

For complete information, see installation instructions packed with your washer.

### INCLUDED:

- Power cord - up to 66" length
- Drain hose - up to 60" length



\*With leveling legs retracted:  
39-3/4" (101 cm).  
With leveling legs fully extended:  
40-5/8" (103.1 cm).



For answers to your Monogram, Café™, GE Profile™ or GE Appliances product questions, visit our website at [geappliances.com](http://geappliances.com) or call GE Answer Center® Service, 800.626.2000.



Listed by Underwriters Laboratories

# GE® 4.6 cu. ft. Capacity Front Load ENERGY STAR® Washer with UltraFresh Vent System with OdorBlock™

## GE® 4.6 cu. ft. Capacity Front Load ENERGY STAR® Washer with UltraFresh Vent System with OdorBlock™

### SPECIAL INSTALLATION REQUIREMENTS:

#### STACKED INSTALLATION:

-Brackets for stacking dryer over washer are not included with the washer. Order part no. GFA28KITN.

#### ALCOVE OR CLOSET INSTALLATION:

-If your dryer is approved for installation in an alcove or closet, it will be stated on a label on the dryer back.

-The dryer MUST be exhausted to the outside.

-Minimum clearances between dryer cabinet and adjacent walls or other surfaces are: 0" all sides and top.\*

-Closet doors must be louvered or otherwise ventilated and must contain a minimum of 60 sq. in. of open area equally distributed. If this closet contains both a washer and a dryer, doors must contain a minimum of 120 sq. in. of open area equally distributed.

-No other fuel-burning appliance shall be installed in the same closet with a gas dryer.

#### BATHROOM OR BEDROOM INSTALLATION:

-The dryer MUST be exhausted to the outdoors.

-The installation must conform with the local codes, or in the absence of local codes, with the National Electric Code and National Fuel Gas Code, ANSI Z223.

#### MINIMUM CLEARANCE OTHER THAN ALCOVE OR CLOSET INSTALLATIONS:

-Minimum clearances to combustible surfaces 0" all sides and top.\*

FOR MORE INFORMATION ON VENTING KITS AND ACCESSORIES, PLEASE CALL 1-800-GE-CARES.

\*For improved performance, a 1/2" clearance is suggested on each side.

\*\*Accessories sold separately.

### WEIGHT

-Carton weight 255.7 lbs.

-Product weight 246 lbs.

### ACCESSORIES\*\*

GE Part Number	Description
WB64X5025	Touch-up Paint (White) .06 oz.
WH49X316	Drain Hose Extension
WX17X10001CA	Vibration Pads
WH41X10207	Fill Hose
GFP1528SNWW	Pedestal Accessory (White)
GFR0728SNWW	Riser (White)
PM7X2	Universal Low-Profile Floors Tray (White)
GFA28KITN	Stacking Kit

### WARRANTY

Labor Warranty	Limited 1-year entire appliance
Parts Warranty	Limited 1-year entire appliance Limited 10-year motor



For answers to your Monogram, Café™, GE Profile™ or GE Appliances product questions, visit our website at [geappliances.com](http://geappliances.com) or call GE Answer Center® Service, 800.626.2000.



Listed by  
Underwriters  
Laboratories

# GE® 4.6 cu. ft. Capacity Front Load ENERGY STAR® Washer with UltraFresh Vent System with OdorBlock™

GE® 4.6 cu. ft. Capacity Front Load ENERGY STAR® Washer with UltraFresh Vent System with OdorBlock™

## FEATURES AND BENEFITS

**UltraFresh Vent System with OdorBlock™** – The first and only UltraFresh Vent System with OdorBlock™ eliminates excess moisture to help prevent odors ensuring your washer stays fresh and clean.

**Microban® Antimicrobial Technology** – Built into components including the gasket, dispenser and draining system delivers protection that lives on load after load.

**Built-in WiFi** – Start, stop and monitor your laundry from anywhere while receiving real-time notifications and updates.

**Dynamic Balancing Technology (dB™)** – Our patented, time saving technology senses and re-balances uneven loads during the spin cycle, providing a quiet wash.

**Reversible Door** – Easily reverse your washer and dryer door for superior installation flexibility.

**Quick Wash Cycle** – Provides a fast 20 minute wash for lightly soiled items.

**10-year Limited Warranty** – Rest assured knowing your washer is backed by a 10-year warranty.

**Sanitize with Oxi** – Remove 99% of bacteria with a dedicated cycle that uses an Oxi additive to boost your detergent's cleaning power, while keeping fabrics looking and feeling their best.

**Dryer Control™** – When units are stacked, turn on and control your dryer settings right from your washer's control panel, eliminating the need to reach the dryer's control panel.

**More Water Option** – Add up to an additional 3 gallons of water for a deep water wash and rinse for bulky items like a king-sized comforter or for heavily soiled loads.

**Shallow Depth** – Never compromise on convenience with this 32" shallow depth washer that easily fits into tight spaces like an alcove or closet, making it a suitable solution for homes of any size.

**Time Saver** – When you need to get a full load of clothes clean in only 37 minutes.

Model GFW510SCVWW – White



For answers to your Monogram, Café™, GE Profile™ or GE Appliances product questions, visit our website at [geappliances.com](http://geappliances.com) or call GE Answer Center® Service, 800.626.2000.



Listed by  
Underwriters  
Laboratories

Specification Revised 6/23