

PFWSC1147CP

CENTERSET BATHROOM FAUCET



Product Features

- Flow rate: 1.2 GPM (4.54 L/min) at 60 PSI
- Metal lever handle
- Ceramic disc cartridges

Optional Parts

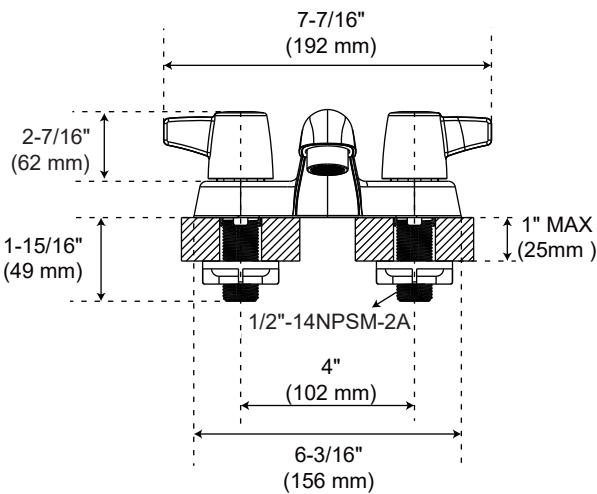
1.0 GPM Aerator	Neoperl 40.2058.000
0.5 GPM Aerator	OBPF55Y03620000CP
Thick Deck Extension Kit	OBPF23644EXT
DrainLift Rod Extension	PF351NA



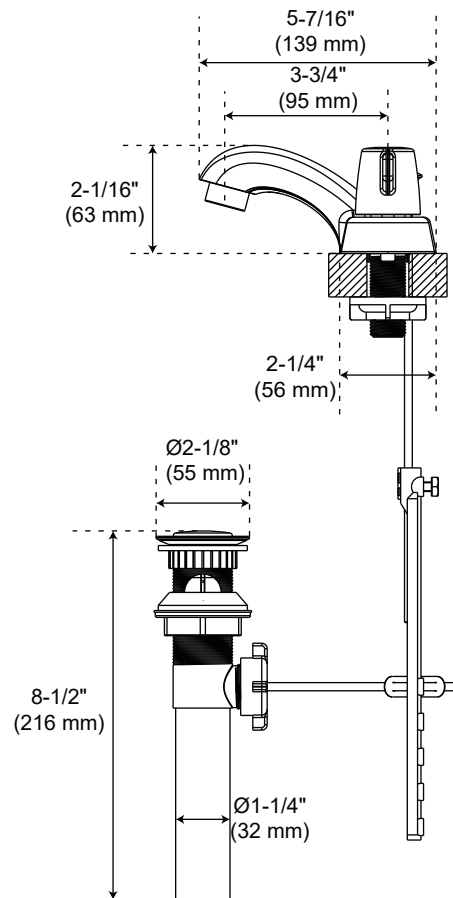
Codes and Certifications



- Certified to ASME A112.18.1 / CSA B125.1
- cUPC/IAPMO listed
- Handle ADA compliant
- EPA WaterSense certified
- NSF/ANSI/CAN61: Q ≤ 1



PFWSC1147CP



For detailed warranty information, visit ferguson.com/proflo-faucet-warranty.