

Parts Breakdown

PFWSC1147L CENTERSET LAVATORY FAUCET

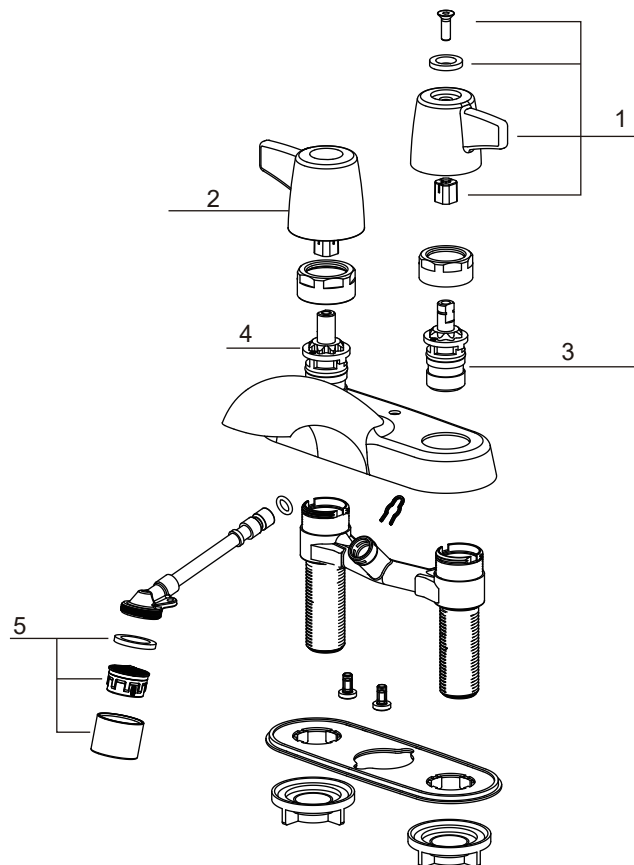


Parts

No.	Part Name	Part Number	Material
1	Handle Cold	OBPF75Y03619010*	Zinc, Plastic
2	Handle Hot	OBPF75Y03619000*	Zinc, Plastic
3	Cartridge Cold	OBPF25D8003100NT0	Plastic, Ceramic, Metal
4	Cartridge Hot	OBPF25D8003000NT0	Plastic, Ceramic, Metal
5	Aerator	OBPF55Y03617000*	Plastic



PFWSC1147LCP



For detailed warranty information, visit ferguson.com/proflo-faucet-warranty.

** Designate proper finish suffix