

ORRS

**PFWSC8847**

**4" CENTERSET BATHROOM FAUCET**



**Product Features**

- Flow rate: 1.2 GPM (4.54 L/min) at 60 PSI
- Metal lever handle
- Ceramic disc cartridges
- Metal push pop-up drain

**Optional Parts**

**1.0 GPM Aerator**

Neoperl 443358010

**0.5 GPM Aerator**

Neoperl 443359010

**Thick Deck Extension Kit**

OBPF23644EXT

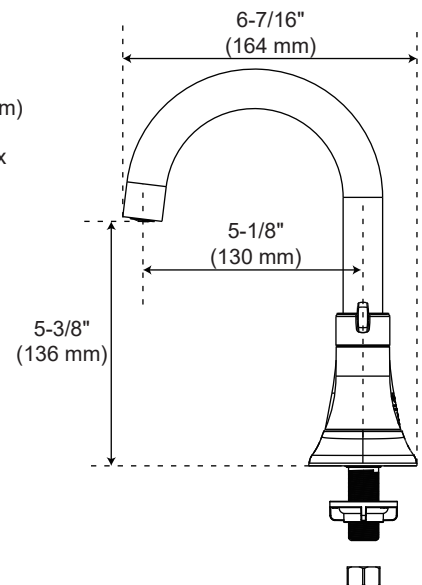
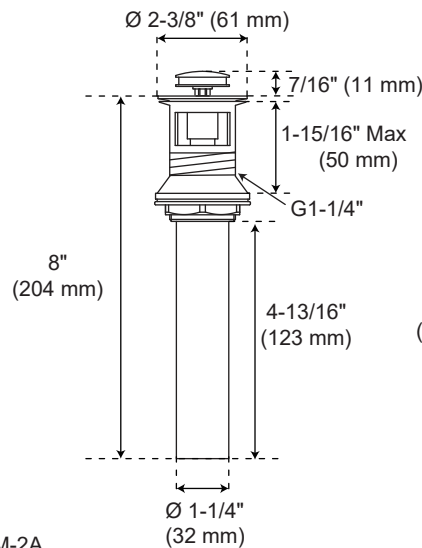
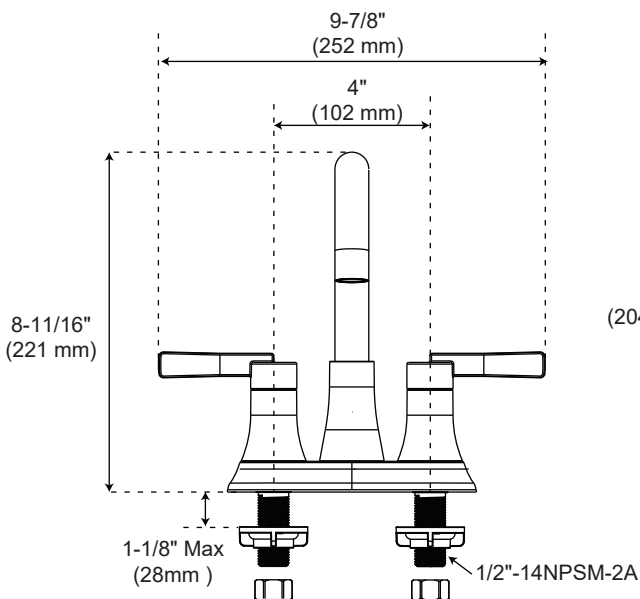


**Codes and Certifications**



**PFWSC8847**

- Certified to ASME A112.18.1 / CSA B125.1
- cUPC/IAPMO listed
- Handle ADA compliant
- EPA WaterSense certified
- NSF/ANSI/CAN 61: Q ≤1



For detailed warranty information, visit [ferguson.com/proflo-faucet-warranty](http://ferguson.com/proflo-faucet-warranty).