

ORRS

# PFWSC8847

## 4" CENTERSET BATHROOM FAUCET



### Product Features

- Flow rate: 1.2 GPM (4.54 L/min) at 60 PSI
- Metal lever handle
- Ceramic Disc Cartridges
- Metal push pop-up drain

### Optional Parts (not included)

1.0 GPM Aerator	Neoperl 42.3058.033
0.5 GPM Aerator	Neoperl 42.3059.033
Thick Deck Extension Kit	OBPF1A66D619N
Drain Lift Rod Extension:	PF352NA

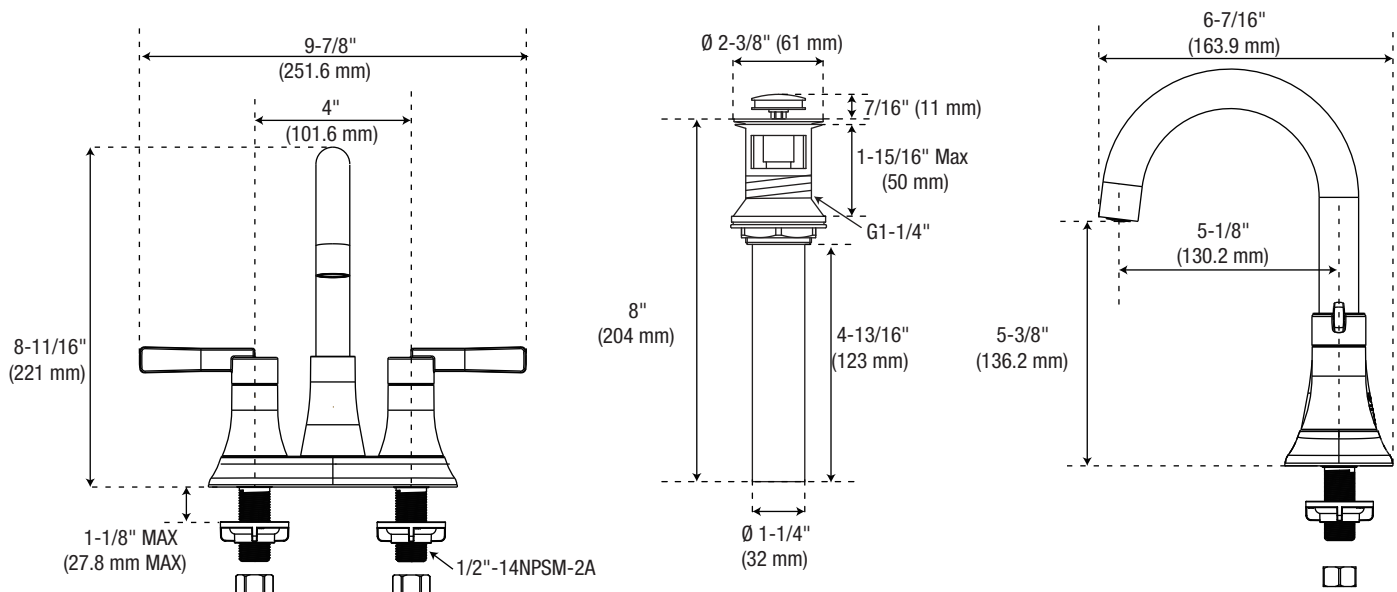


### Codes and Certifications



- Certified to ASME A112.18.1 / CSA B125.1
- cUPC/IAPMO listed
- Handle ADA compliant
- EPA WaterSense certified
- NSF/ANSI/CAN 61: Q < 1

PFWSC8847



For detailed warranty information, visit [ferguson.com/proflo-faucet-warranty](https://ferguson.com/proflo-faucet-warranty).