

ORRS

PFWSC8867 TWO HANDLE WIDESPREAD LAVATORY FAUCET



Product Features

- Max. flow rate: 1.2 gpm (4.54 L/min) at 60 psi
- Metal lever handle
- Ceramic disc cartridge
- Metal pop-up drain assembly
- Requires 3-hole sink with 8" on-center



Optional Parts

- 0.5 GPM Aerator
- 1.0 GPM Aerator

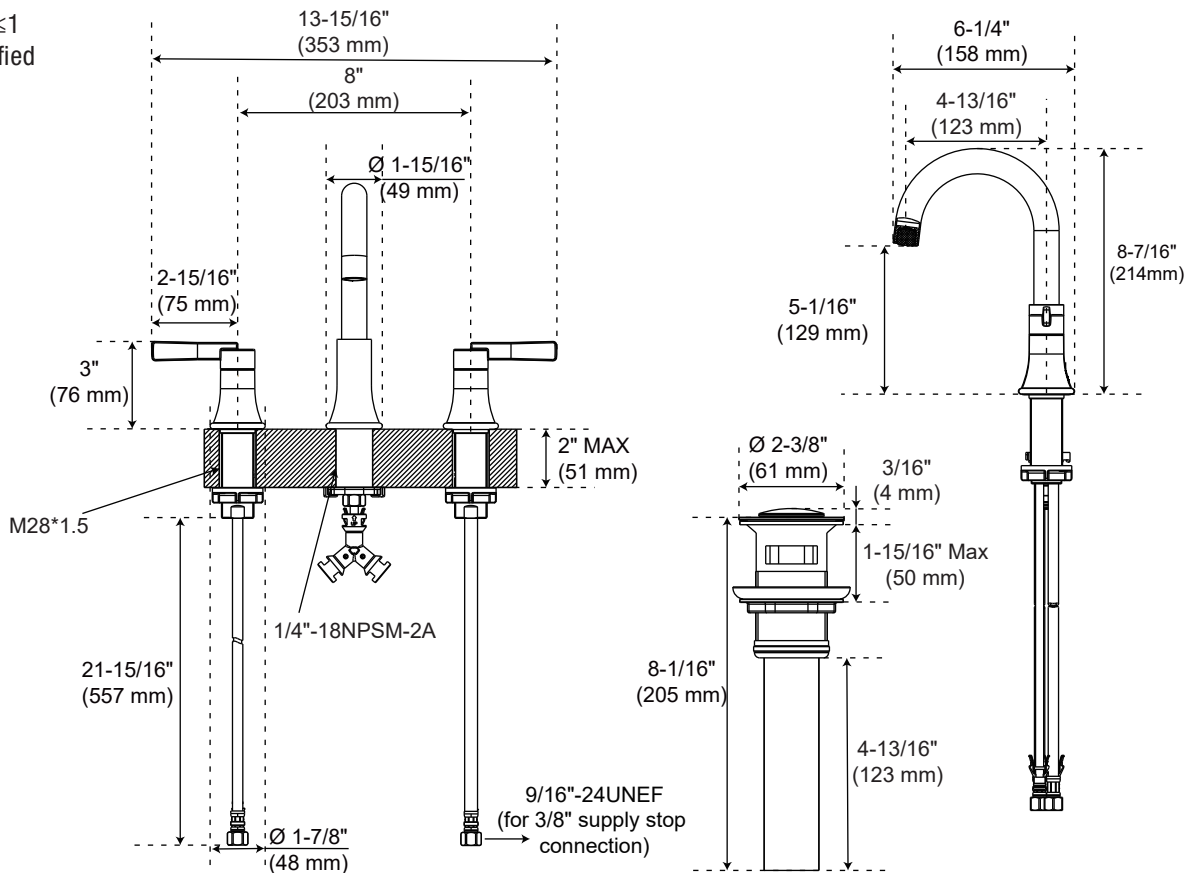
- Neoperl 44.3359.01001
- Neoperl 44.3358.01001

Codes and Certifications



PFWSC8867

- Certified to ASME A112.18.1 / CSA B125.1
- cUPC/IAPMO listed
- Handle ADA compliant
- NSF/ANSI/CAN 61: Q ≤ 1
- EPA WaterSense certified



For detailed warranty information, visit ferguson.com/proflo-faucet-warranty.