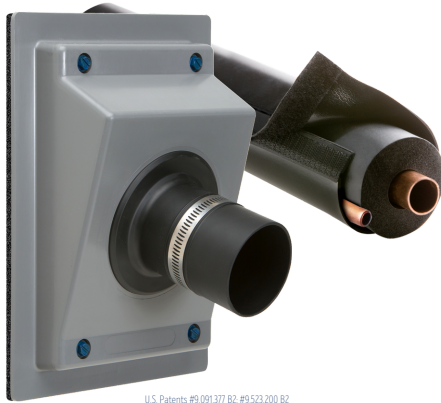




# Product Guide

Covers all models of AIREX PRO-SYSTEM KIT™



U.S. Patents #9,091,377 B2, #9,523,200 B2





## 10 Year Warranty

Product Name: Airex Pro-System Kit™

**Coverage/ Non-Coverage:** Warranty covers that Airex Manufacturing Inc. products correctly installed on (Property) will be free from defects and material workmanship (manufactured defects). This limited warranty shall not be effective or enforceable unless the warranted products were properly installed and the building or structure upon where the Airex Manufacturing Inc. products were installed was constructed in accordance with all applicable codes, regulations, plans, specifications, and manufacturer's installation instructions found below. The warranty does not cover product that was not installed for its normal and intended use or application. This warranty does not cover defects resulting from damage through accident or casualty occurring during or after Product shipment from Airex Manufacturing Inc. This warranty does not cover acts of God such as falling objects, fire, floods, tornados, etc.

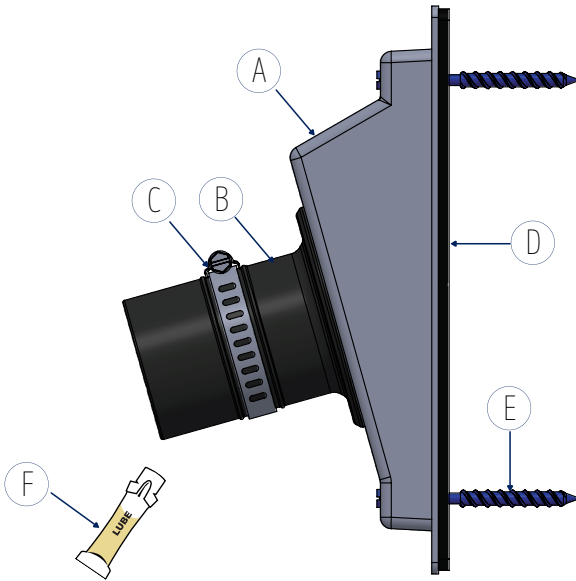
**Warranty Remedy:** Upon receipt of notice Airex Manufacturing Inc. shall be authorized to inspect the Property. If following the inspection of the Property, Airex Manufacturing Inc., determines that a valid claim exists Airex Manufacturing Inc. shall repair or replace, at its option, (i) the defective part, (ii) the damage to those portions of the Property caused by the defect. All work shall be performed by Airex Manufacturing Inc. or subcontractors chosen by Airex Manufacturing Inc.

**Note:** Any determination depends upon the sole decision and discretion of Airex Manufacturing Inc. (Upon the sole discretion of Airex Manufacturing Inc. excludes Employees, Representatives, Agents of Airex Manufacturing, or any other Person)

**Warranty Claim Submissions:** Submit all claims in writing WITHIN 30 Days after defect has been discovered to:

Airex Manufacturing Inc.  
72170 Dunham Way  
Suite D  
Thousand Palms, CA 92276

## Wall Outlet Product Components

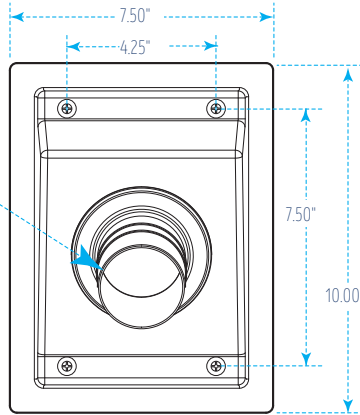


- (A) Exterior Wall Seal Penetration Outlet
- (B) Elastomeric Line-Set Compression & Anti-Vibration Sleeve
- (C) Mechanical Connection Secured Stainless Steel Clamp
- (D) Wall Surface Seal, Elastomeric Gasket
- (E) All Material Anchor Screws with Elastomeric Washers
- (F) Lubricant

# Wall Outlet Dimensions, Sizing, and Testing

## Dimensions

Airex Part Number	Sleeve Diameter
TGS-550-G	1-3/4"
TGS-575-G	2-3/8"
TGS-510-G	3-1/4"



## Recommended Sizing Chart

Airex Part Number	Pipe Insulation Thickness	Pipe/Tube Size
TGS-550-G	1/2"	5/8"
		3/4"
		7/8"
TGS-575-G	3/4"	5/8"
		3/4"
		7/8"
TGS-510-G	1"	1-1/8"
		3/4"
		7/8"
TGS-510-G	3/4"	1-1/8"
		3/4"

## Approved Material Testing

- Wall Mounted Outlet (Outdoor-Rated Rigid Plastic)
  - ASTM D1525C-09 - Temperature Deformation Test
  - ASTM D648-07 - Temperature Load Deformation Test
  - UL 94 HB - Flammability Test
  - UL 746C - Outdoor Suitability - f1 Rating

- Wall Outlet Sleeve (Outdoor-Rated Elastomeric Plastic)
  - ASTM D573-04 - Deterioration Test
  - ASTM D746-07 - Brittleness Temperature Impact Test

## Approved Product Testing

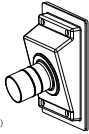
- ASTM E283 - Standard Test Method for Air Leakage
- ASTM E331 - Standard Test Method for Water Penetration
- ASTM E 2178 - Air Permeance of Building Materials

# Wall Outlet Installation Instructions

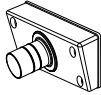
## Parts List

1-Wall Mounted Outlet  
1-Pre-Loaded Wall Gasket

(TGS Recommended  
installation view as shown)



TGS Series



TSS Series

(TSS Recommended  
installation view as shown)

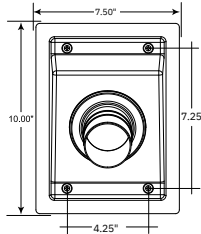


1-Adjustable  
Hose Clamp



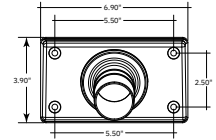
1-Lubricant

## Dimensions

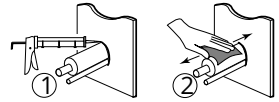


## Tools Required

- 1/8" Drill Bit Size  
(Use appropriate bit type for surface to be drilled.)
- 5/16" Hex Head Driver

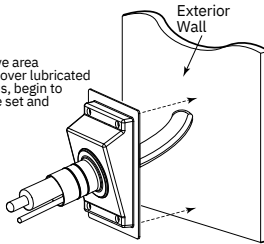


- ① Important - Before installing, make sure that the existing wall penetration has been properly sealed.
- ② Important - Clean and heavily lubricate line set materials with lubricant or soap. This step will prepare and facilitate a proper seal installation.

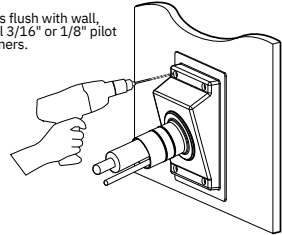


③

Lubricate the inside sleeve area (TITAN Outlet™) and fit over lubricated Insulation/Line Set Radius, begin to push/slide outlet into line set and towards wall.

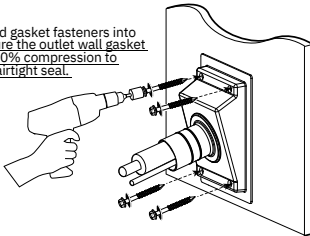


- ④ Once Outlet fits flush with wall, proceed to drill 3/16" or 1/8" pilot holes for fasteners.

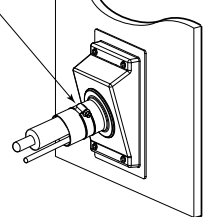


⑤

Drive the provided gasket fasteners into the wall. Make sure the outlet wall gasket has a minimum 30% compression to ensure a proper airtight seal.

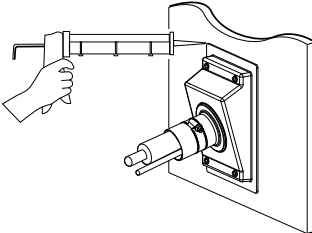


- ⑥ Tighten the provided stainless steel clamp to ensure proper air seal and pipe & insulation support and security. This will also ensure anti-vibration support, wind protection, anti-seismic bracing and anti-rodent sealing.



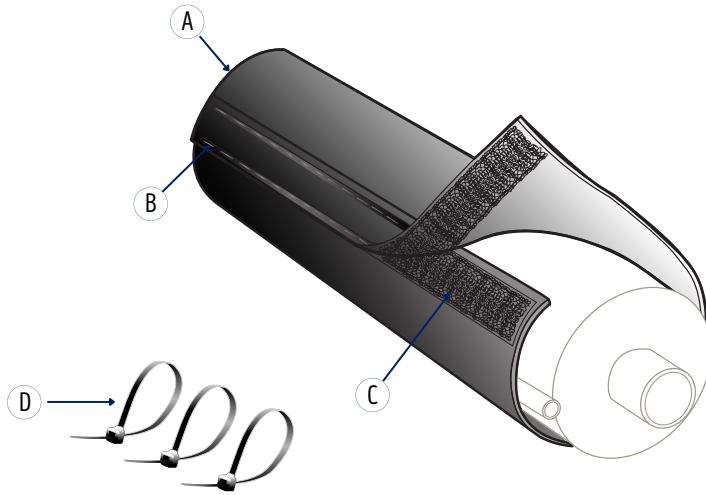
⑦

Important - Caulk around the entire wall outlet surface edge, using an exterior-use silicone caulking.



- ⑧ Important - Visually inspect and caulk any small gaps that may appear between pipes and insulation areas, to ensure that all gaps inside the sleeve area are completely sealed. If needed or preferred, caulk and encapsulate entire inside radius of the sleeve area with exterior-use silicone.

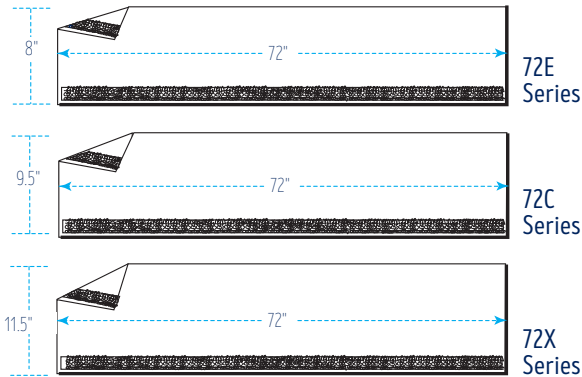
## Insulation Protector Product Components



- A** Protective Cover Body (PVC)
- B** Hook and Loop Fastener (Heat Bonded)
- C** Double Stitched Threading
- D** Cable Ties

# Insulation Protector Dimensions, Sizing, and Testing

## Dimensions



## Recommended Sizing Chart

Airex Part Number	Diameter	Width	Pipe Insulation Thickness	With Tube Size
72E-B	1-3/4"	8.0"	1/2"	5/8"
				3/4"
				7/8"
72C-B	2-3/8"	9.5"	3/4"	5/8"
				7/8"
			1/2"	1-1/8"
72X-B	3-1/4"	11.5"	1"	3/4"
				7/8"
			3/4"	1-1/8"

### Approved Material Testing

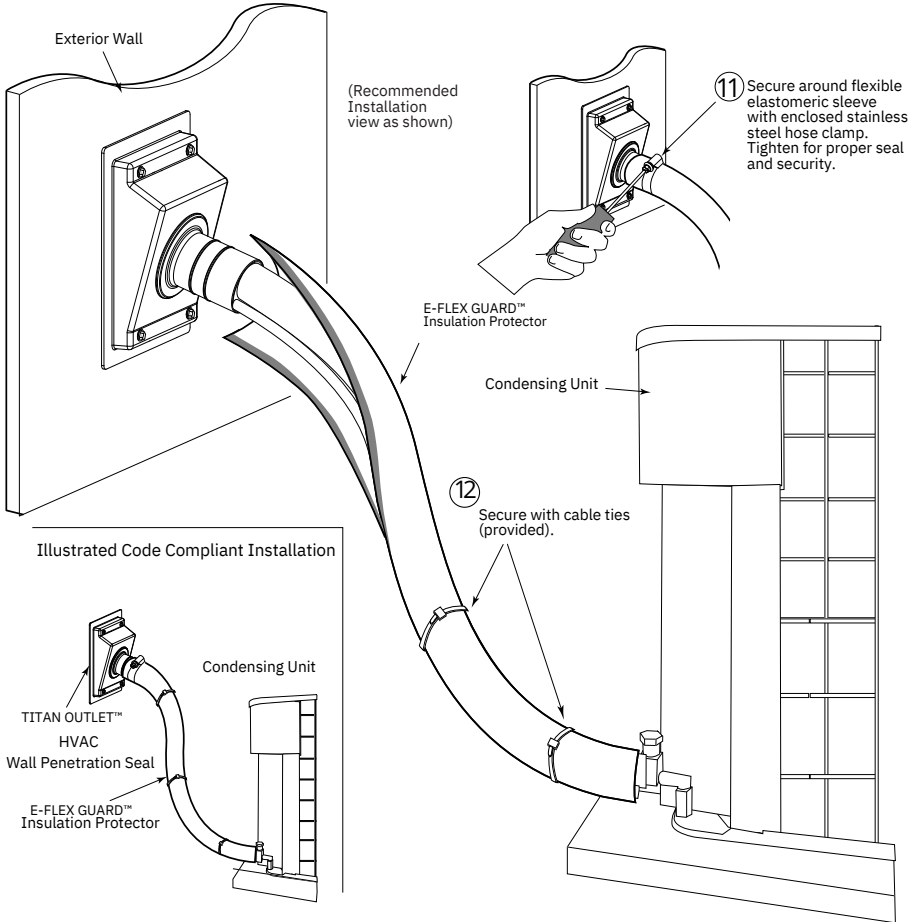
- ASTM G21 - Anti-Fungal/Anti-Microbial
- ASTM D570 - Water Absorption
- ASTM D412 - Tension Deformation Test (UV Exposure & Water Immersion)

### Approved Product Testing

- ASTM G153 - Weatherization and UV Exposure
- ASTM E84/UL 723 - Flame and Smoke Rating 25/450
- ASTM E96 - Water/Vapor Permeability

# Insulation Protector Installation Instructions

- 9 Measure line-set from Condensing Unit to wall outlet and cut E-FLEX GUARD™ to length.
- 10 Wrap E-FLEX GUARD™ Insulation Protector around line-set making sure pre-loaded Velcro fasteners are fully enclosed. Ensure seam faces toward the bottom for improved aesthetics.





## HVAC Penetration Sealing and Insulation Protection

### Inquiries:

Airex Manufacturing, Inc.

Email: [customerservice@airexmfg.com](mailto:customerservice@airexmfg.com)

Phone: (760) 343-2277

Mailing/Shipping Address:  
72170 Dunham Way Suite D  
Thousand Palms, CA 92276

Website: [www.airexmfg.com](http://www.airexmfg.com)