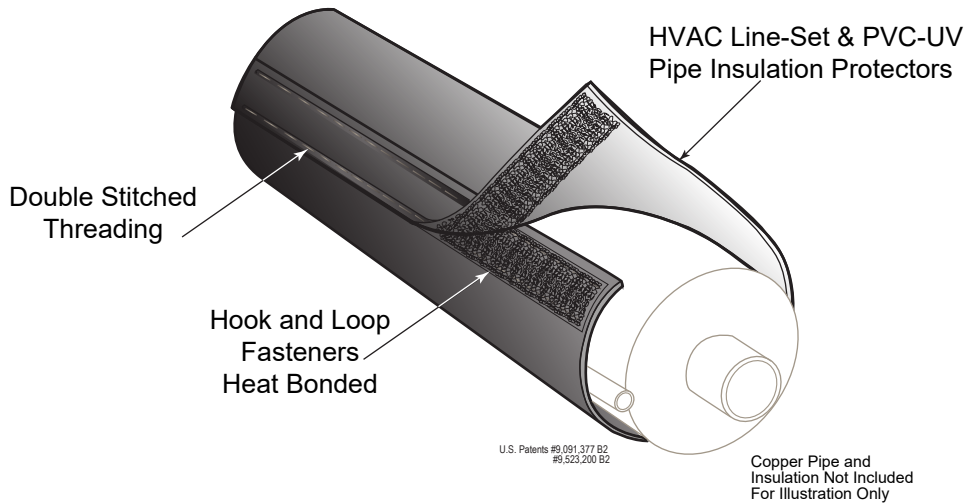


## TECHNICAL SUMMARY



### Code Requirements

#### Commercial Codes

- **IECC - 2012, 2015, 2018 Protection of Piping Insulation – Commercial Section**

C403.2.8.1 (2018), C403.2.10.1 (2015), C403.2.8.1 (2012)  
Protection of Piping Insulation: Piping insulation exposed to weather shall be protected from damage, including that due to sunlight, moisture, Equipment Maintenance, wind and shall provide shielding from solar radiation that can cause degradation of the material. Adhesive tape shall not be permitted.

- **2016, 2019 California Building Energy Efficiency Standards (TITLE 24 ENERGY CODE)**

Commercial Requirement for Pipe Insulation, Section 120.3(a) 1. (b) 1. & 2.

- **International Mechanical Code 1107.7 - Exposure of refrigerant pipe joints.**

Refrigerant pipe joints erected on the premises shall be exposed for visual inspection prior to being covered or enclosed.

- **ASHRAE Standard 90.1 - 2013, 2016, 2019**

a. Insulation exposed to weather shall either be rated for outdoor use or be installed with a cover suitable for outdoor service; e.g., including but not limited to protected by aluminum, sheet metal, painted canvas, or plastic cover. Cellular foam insulation shall be protected as above or painted with a coating that is water retardant and provides shielding from solar radiation that can cause degradation of the material.

b. Insulation covering chilled water piping and refrigerant suction piping located outside the conditioned space shall have a Class I or Class II vapor retarder facing, or the insulation shall be installed at the thickness that qualifies as a Class I or Class II vapor retarder.

- **IRC - 2018**

Refrigerant Line Insulation Protection - M1411.61 - Section N1103.4.1

- **2009, 2012, 2015, 2018 International Mechanical Code (IMC) Chapter 3**

General Regulations Section 301.1 Scope - Sections 301.10, 301.11, 301.14, 301.15, 305.1, 305.2, 305.4

- **2009, 2012, 2015, 2018 Uniform Mechanical Code (UMC) Chapter 11 Refrigeration**

– Section 1101.0 Scope - Section 1101.1 - General Requirements Section 1106.0 – Section 1106.2, Section 1111.0 Erection of Refrigerant Piping & Vibration – Sections 1111.1, 1111.2, 1111.4

#### Residential Codes

- **IECC - 2012, 2015, 2018 Protection of Piping Insulation – Residential Section**

Residential Section R403.3.1, R403.4.1

Protection of Piping Insulation: Piping insulation exposed to weather shall be protected from damage, including that due to sunlight, moisture, Equipment Maintenance, wind and shall provide shielding from solar radiation that can cause degradation of the material. Adhesive tape shall not be permitted.

- **2016, 2019 California Building Energy Efficiency Standards (TITLE 24 ENERGY CODE)**

Residential Requirement for Pipe Insulation, Section 150.0(j)3. A. & B.

## TECHNICAL SUMMARY

**A Protective Cover Body**

- Flexible PVC Material
- Vapor Retardant Class II
- Outstanding Weatherability
- Flame/Smoke Rated Class A
- R-Value 0.5

**B Fastener**

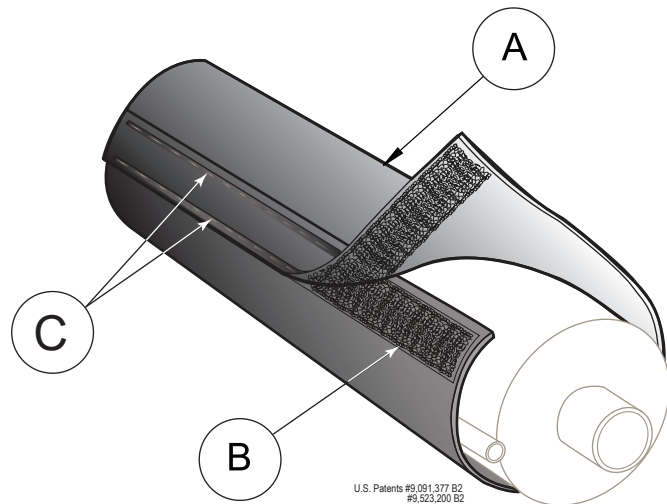
- Hook & Loop
- UV Nylon
- Specially Treated for Molecular Bonding

**C Dual Bonded Fastener**

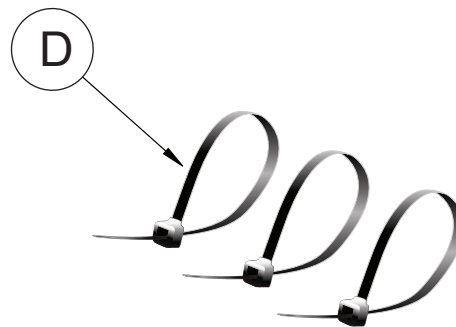
- Proprietary Molecular Bond Process
- Double Stitched
- UV Nylon Threading
- Cut to Size without Unraveling

**D Cable Ties**

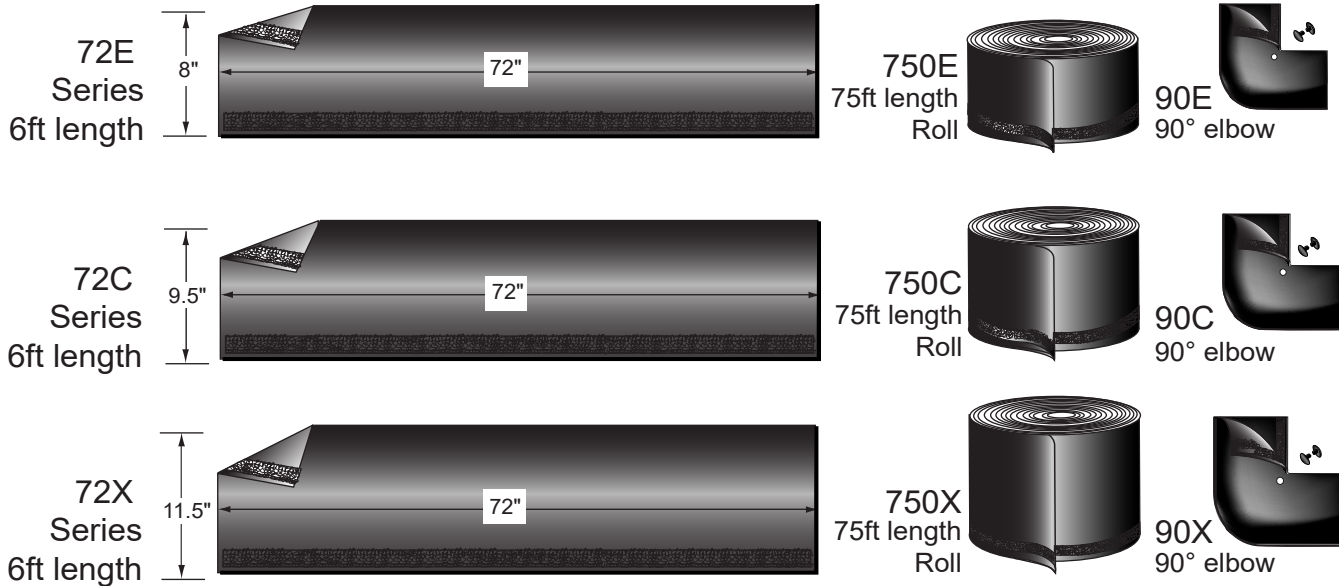
- UV Nylon
- 50 lbs. Tensile Strength



Copper Pipe and  
Insulation Not Included  
For Illustration Only



## TECHNICAL SUMMARY



Model #		Width			Insulation Thickness	
72E	750E	8.0"	8"	20.32 cm	1/2"	13 mm
72C	750C	9.5"	9-1/2"	24.13 cm	3/4"	19 mm
72X	750X	11.5"	11-1/2"	29.21 cm	1"	25 mm

Airex Part Number		Recommended Sizing Chart
<b>72E</b> (6 ft)	<b>750E</b> (75 ft)	Fits: 1/2" wall thickness pipe insulation with 5/8", 3/4", 7/8" tube.
<b>72C</b> (6 ft)	<b>750C</b> (75 ft)	Fits: 3/4" wall thickness pipe insulation with 5/8", 3/4", 7/8" tube or 1/2" wall thickness pipe insulation with 1-1/8" tube.
<b>72X</b> (6 ft)	<b>750X</b> (75 ft)	Fits: 1" wall thickness pipe insulation with 3/4", 7/8" tube or 3/4" wall thickness pipe insulation with 1-1/8" tube.

### Approved PVC Material Performance Testing

- **ASTM G153** – Weatherization and UV Exposure
- **ASTM E96** – Water/Vapor Permeability
- **ASTM G21** – Anti-Fungal/Anti-Microbial
- **ASTM D412** - Tension Deformation Test (UV Exposure & Water Immersion)
- **ASTM D570** – Water Absorption
- **ASTM E84/UL 723** - Flame and Smoke Rating 25/450