

BERWYN FREESTANDING TUB FAUCET WITH HAND SHOWER

SKU: 953648

Code: SHBWFS2000G2, SHFSR2000WS, SHFSR2000



FEATURES

Material: Metal construction for strength and durability
Installation Type: Freestanding
Connection Type: IPS
Flow Rate: 9.5 gpm (36 L/min) @ 80 psi
Hand Shower Flow Rate: 1.75 gpm (6.6 L/min) @ 80 psi
Spray Type: Full
Cartridge Type: Ceramic Disc
Swivel Spout: No
Required for Installation: Rough-in valve: SHFSR2000 or SHFSR2000WS

ASME A112.18.1/CSA B125.1, CEC Listed, WaterSense by IAPMO, Massachusetts Accepted, LISTED ID: SHBWFS2000G2XX, SHFSR2000WS, SHFSR2000



ADDITIONAL FEATURES

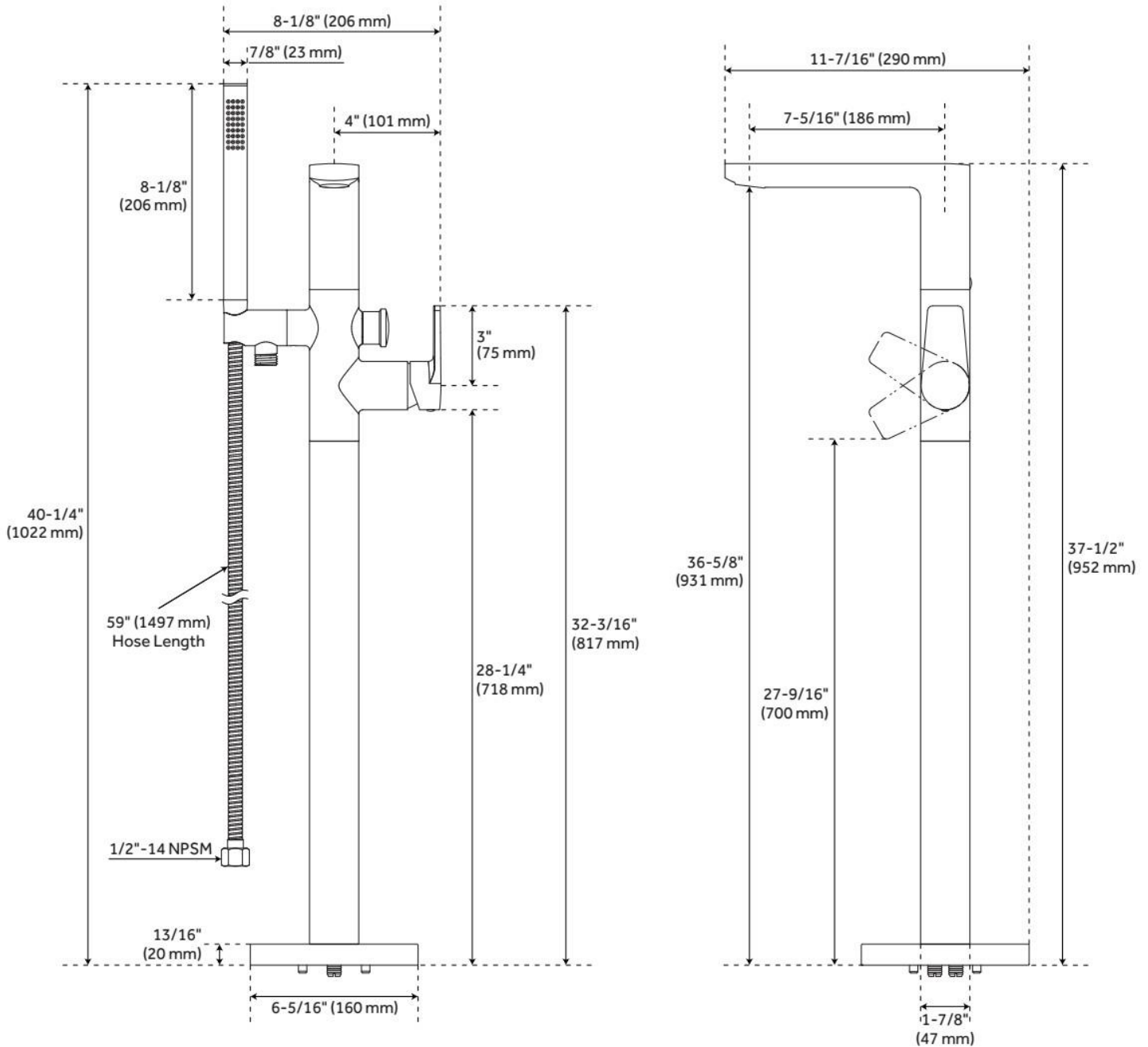
- Single function hand shower dimensions are 1-1/8" W x 7-5/16" H .
- When purchased with valve, spout flow rate is 9.5 gpm (35.7 L/min) @ 80 psi.

REVISED 5/15/2024

BERWYN FREESTANDING TUB FAUCET WITH HAND SHOWER

SKU: 953648

Code: SHBWFS2000G2, SHFSR2000WS, SHFSR2000



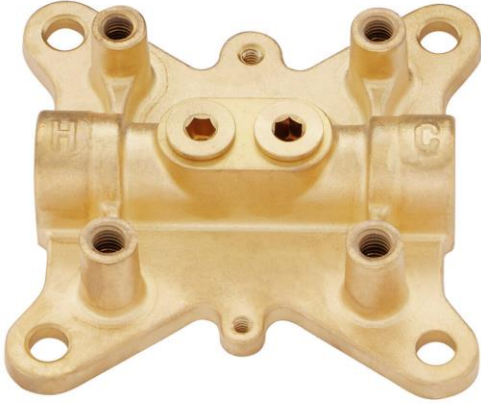
REVISED 5/15/2024

FREESTANDING TUB FAUCET ROUGH-IN VALVE

SKU: 446521
Code: SHFSR2000

FEATURES

Material: Metal construction for strength and durability



ASME A112.18.1/CSA B125.1, Massachusetts Accepted, LISTED ID: SHFSR2000



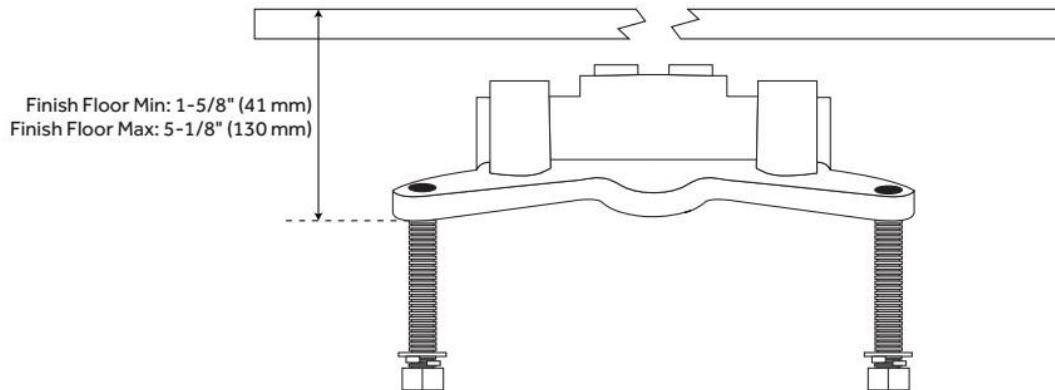
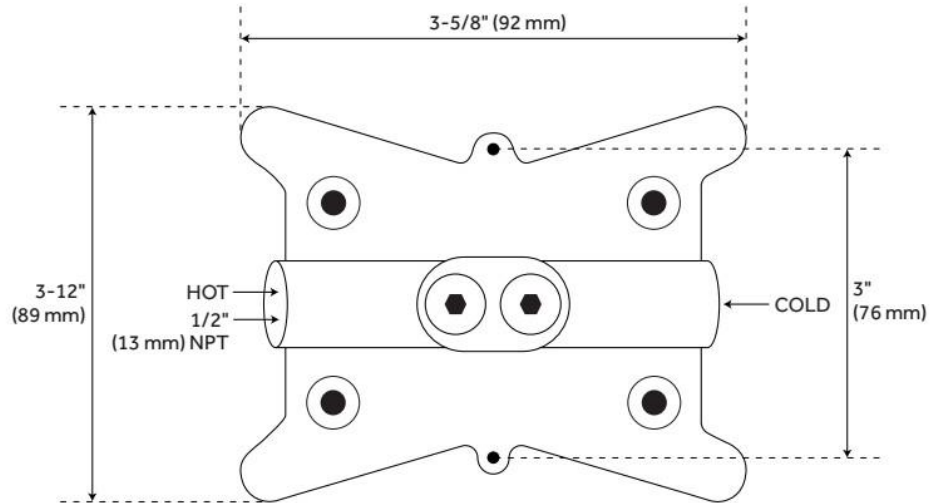
ADDITIONAL FEATURES

- Not compatible with Ryle, Napier, Keswick, Copper and Cybelle Freestanding Tub Faucets.

REVISED 5/13/2024

FREESTANDING TUB FAUCET ROUGH-IN VALVE

SKU: 446521
Code: SHFSR2000



REVISED 5/13/2024

FREESTANDING TUB FAUCET ROUGH-IN VALVE WITH STOPS

SKU: 448006
Code: SHFSR2000WS

FEATURES

Material: Metal construction for strength and durability



ASME A112.18.1/CSA B125.1, Massachusetts Accepted, LISTED ID: SHFSR2000WS



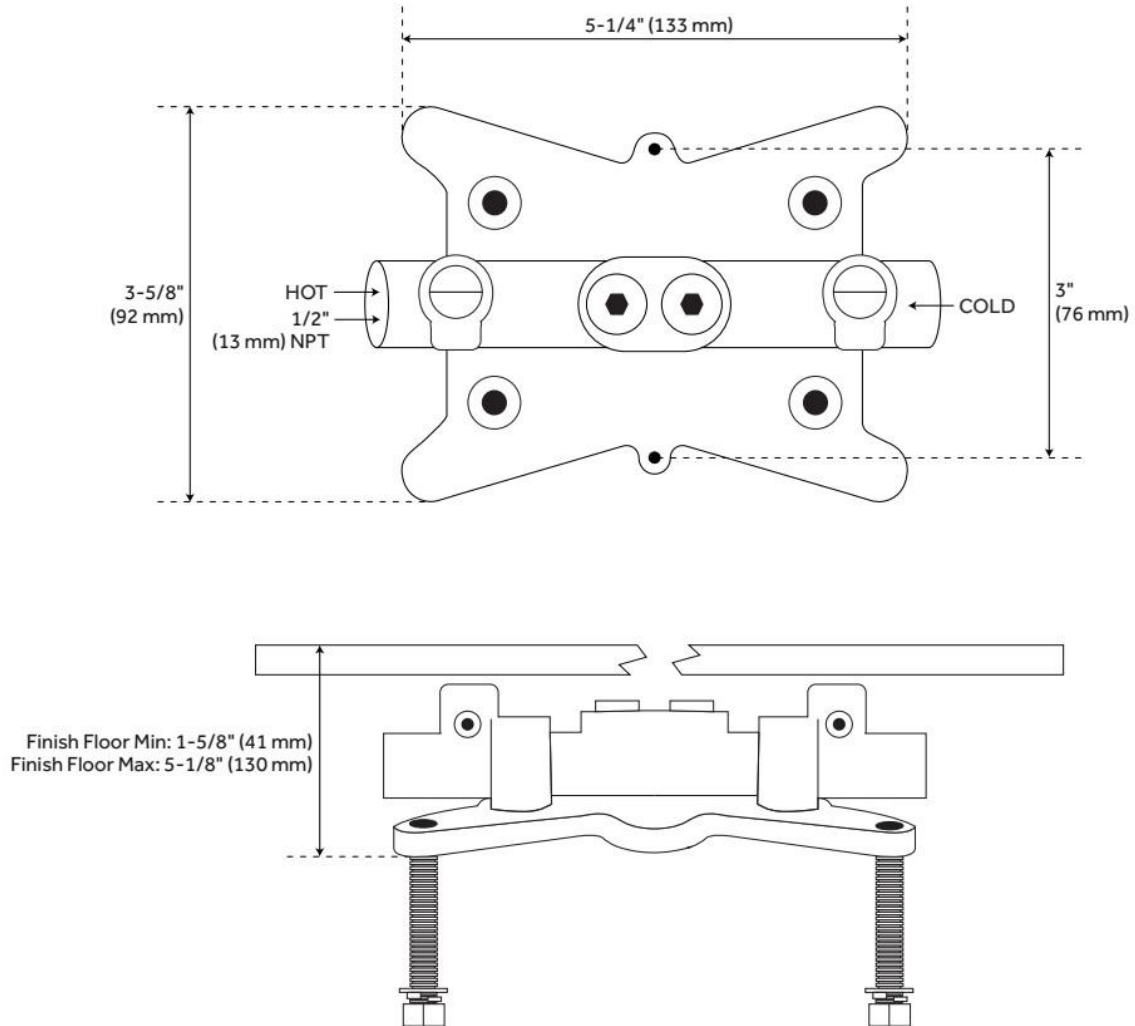
ADDITIONAL FEATURES

- Not compatible with the Ryle, Napier, Keswick, Cooper, and Cybelle Freestanding Tub Faucets.

REVISED 5/13/2024

FREESTANDING TUB FAUCET ROUGH-IN VALVE WITH STOPS

SKU: 448006
Code: SHFSR2000WS



REVISED 5/13/2024