

Inverter Driven Heat Pump

24,000 BTU Single Zone Ceiling Suspended System

Job Name _____
 Location _____
 Engineer _____
 Submitted To _____
 Submitted By _____
 Reference _____

Date _____
 Approval _____
 Construction _____
 Unit No _____
 Drawing No _____

PRODUCT FEATURES

- Auto Changeover
- 24 Hr. Timer
- Auto Restart Function
- Automatic Defrost Function
- Economy Mode
- Minimum Heat Mode



MODEL NUMBERS			
Indoor Unit	ABUH24LUAS		
Outdoor Unit	AOUH24LUAS1		
System	24LUAS1B		
EFFICIENCIES			
SEER	--		
SEER 2	21.5		
EER	--		
EER 2	12.3		
HSPF	--		
HSPF 2 (IV) / HSPF 2 (V)	10.5/8.4		
COP	kW/kW	--	
COP	Btu/hW	--	
COP2	kW/kW	3.88	
COP2	Btu/hW	13.2	
OUTDOOR TEMPERATURE OPERATION RANGE			
Cooling	°F(°C)		-5 to 115 (-21 to 46)
Heating			-5 to 75 (-21 to 24)
CAPACITIES			
Cooling	Rated	Btu/h	24000
	Min.—Max.		5,400–28,000
Heating	Rated		27000
	Min.—Max.		5,400–32,000
LINESET REQUIREMENTS			
Connection Method	Flare		
Liquid	in (mm)	Ø3/8 (Ø9.52)	
Gas		Ø5/8 (Ø15.88)	
Pre-charge length	ft (m)	66 (20)	
Minimum Length		16 (5)	
Max. length		164 (50)	
Max. height difference		98 (30)	
INDOOR DIMENSIONS & WEIGHT			
Net (H x W x D)	in (mm)	9-1/4 x 54-3/4 x 27-3/4 (235 x 1,390 x 705)	
Gross (H x W x D)		13 x 58-1/16 x 32-1/2 (330 x 1,475 x 825)	
Net Weight	lb (kg)	68 (31)	
Gross Weight		90 (41)	
OUTDOOR DIMENSIONS & WEIGHT			
Net (H x W x D)	in (mm)	31 x 37 x 12-5/8 (788 x 940 x 320)	
Gross (H x W x D)		38-1/16 x 40-7/16 x 17-1/2 (966 x 1,027 x 445)	
Net Weight	lb (kg)	117 (53)	
Gross Weight		134 (61)	

Warranty Information



7 Year Compressor, 5 Year Parts out-of-the-box Warranty

10 Year Compressor, 10 Year Parts Warranty when registered within 60 days of installation in a residence

12 Year Compressor, 12 Year Parts Warranty when registered within 60 days of installation in a residence, and installed by a Fujitsu Elite contractor

ACCESSORIES

UTY-RNRUZ-Series	Wired Remote Controller
UTY-RSRY	Simple Remote Controller
UTY-RHRY	Simple Remote Controller
UTY-LBTUH	IR Receiver Kit with Wireless Remote Controller
UTZ-PU1EBB	Drain Pump Unit
UTP-FX35A	Auxiliary Pipe Assembly
UTY-XWZXZG	External Connect Kit
UTY-XCSX	External Input and Output PCB
UTZ-GXEA	External Input and Output PCB Box
UTY-TFSXJ4	WLAN Adapter
UTY-VM SX	Modbus Converter
UTY-VK SX	KNX Converter
UTY-TTRXZ1	Thermostat Converter
UTY-VTGX	Network Converter
UTY-TERX	External Switch Controller

Due to continuous product improvements, specifications are subject to change without notice. Please log in to the Fujitsu Portal for the most up-to-date documentation <https://connect.fujitsugeneral.com>

Effective Date: 5/2/2023

Inverter Driven Heat Pump

24,000 BTU Single Zone Ceiling Suspended System

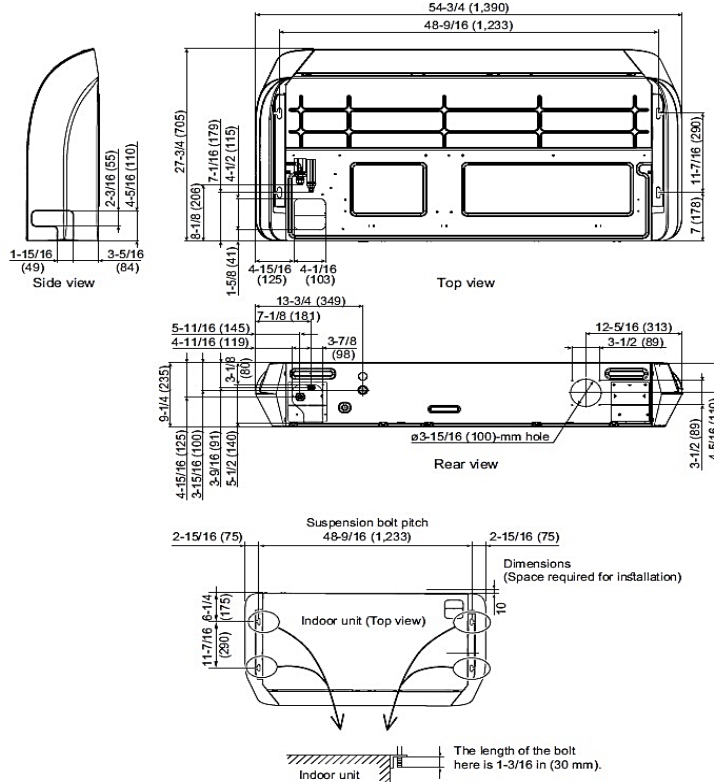
FAN DATA			
Indoor Unit Airflow rate	Cooling	HIGH	724 (1,230)
		MED	583 (990)
		LOW	506 (860)
		QUIET	412 (700)
	Heating	HIGH	724 (1,230)
		MED	583 (990)
		LOW	506 (860)
		QUIET	412 (700)
Outdoor Unit Airflow rate	Cooling		2,187 (3,715)
	Heating		2,187 (3,715)
SOUND PRESSURE			
Indoor Unit	Cooling	HIGH	41
		MED	36
		LOW	32
		QUIET	29
	Heating	HIGH	41
		MED	36
		LOW	32
		QUIET	29
Outdoor Unit	Cooling		52
	Heating		54
REFRIGERANT			
Type			R410A
Charge	lb oz		4 lb 10 oz
	g		2100
Oil Type			POE (RB68)

ELECTRICAL SPECIFICATIONS			
Voltage/Frequency/Phase		208/230 V~ 60 Hz	
Available Voltage Range		187–253 V	
Current	Cooling	Rated	8.7
	Heating	Rated	9
Maximum Operating Current	Cooling		15.8
	Heating		15.8
Starting current			10.3
MCA			19.2
Maximum Circuit Breaker			20
Input Power	Cooling	Rated	1.95
		Min.–Max.	0.42–2.82
	Heating	Rated	2.04
Power Factor	Cooling		97.5
	Heating		98.6
OTHER			
Moisture Removal		pints/h (L/h)	6.1 (2.9)
Energy Star			No
Drain hose	Material		PVC
	Tip diameter	in (mm)	Ø1/2 (Ø13.0) (I.D.) Ø5/8 to Ø11/16 (Ø16.0 to Ø16.7)
Operation Range	Cooling	°F (°C)	64 to 90 (18 to 32)
	Heating	%RH	80 or less
	Heating	°F (°C)	60 to 86 (16 to 30)

DIMENSIONS:

Indoor Unit

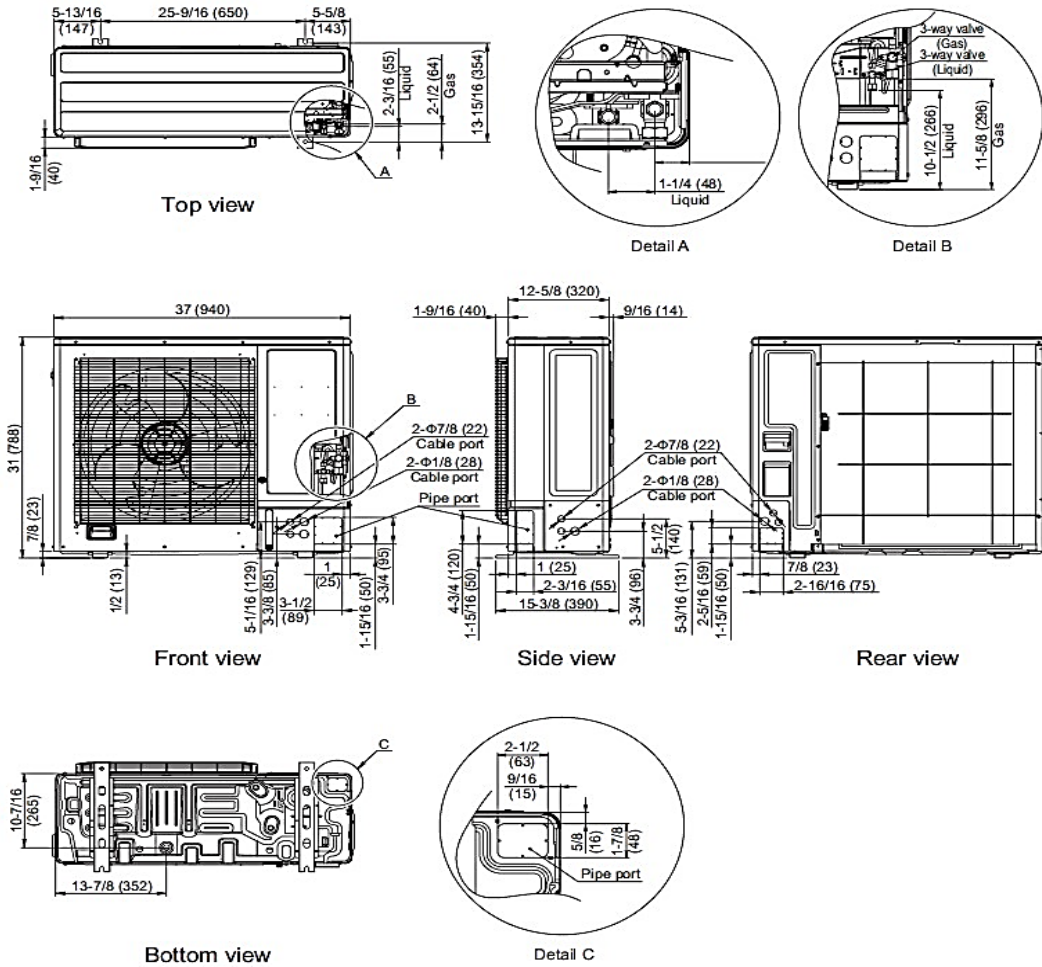
Units: In. (mm)



DIMENSIONS

Units: In. (mm)

Outdoor Unit



The Fujitsu logo is a worldwide trademark of Fujitsu General Limited. The Airstage logo and name is a worldwide trademark of Fujitsu General Limited and is a registered trademark in Japan, the USA and other countries or areas. Copyright 2022 Fujitsu General America, Inc. Fujitsu's products are subject to continuous improvements. Fujitsu reserves the right to modify product design, specifications and information in this brochure without notice and without incurring any obligations.

Note: Specifications are based on the following conditions:
 Cooling: Indoor temperature of 80°F (26.7°C) DB/67°F (19.4°C) WB, and outdoor temperature of 95°F (35°C) DB/75°F (23.9°C) WB. Heating: Indoor temperature of 70°F (21.1°C) DB/60°F (15.6°C) WB, and outdoor temperature of 47°F (8.3°C) DB/43°F (6.1°C) WB. Pipe length: 25ft. (7.5m), Height difference: 0ft. (0m) (Outdoor unit – indoor unit).