

# FREESTANDING TUB DRAIN DROP-IN ROUGH-IN FOR PVC PIPE

SKU: 446542  
Code: SH653

## FEATURES

Length: 7"  
Width: 6-1/4"  
Height: 3-3/8"  
Weight: 2.87



ASME A112.18.2/CSA B125.2  
LISTED ID: SH653PVC



REVISED 10/10/2023

# FREESTANDING TUB DRAIN DROP-IN ROUGH-IN FOR PVC PIPE

SKU: 446542

Code: SH653

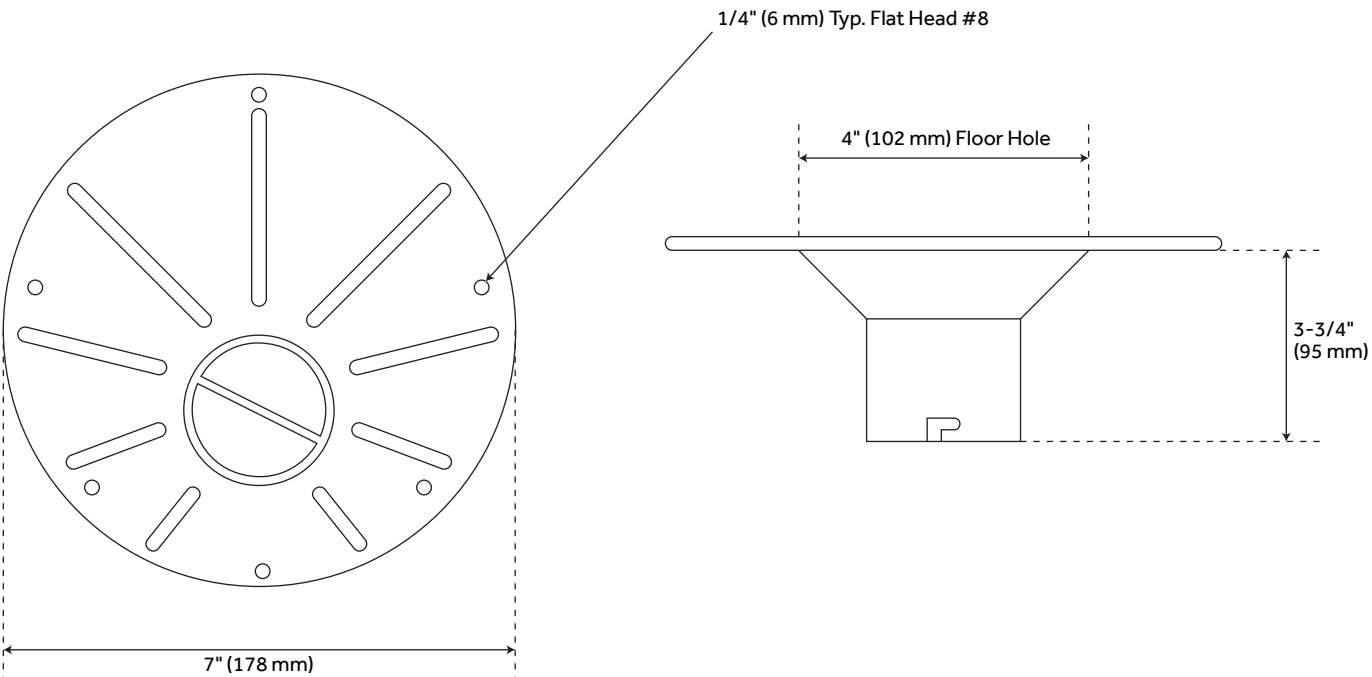


## ADDITIONAL FEATURES

- Asymmetrical 18-gauge epoxy coated metal deck flange - makes installation in tight spaces easier.
- Built-in snap off test cap allows for water/air/smoke testing.
- Low profile design allows for installation in 8" joist space or greater.
- PVC Adapter Kit (attaches Rough-in to PVC Bath Wastes).
- 2 Brass 1-1/2" diameter tailpieces (fine thread and flanged).
- Rough-in assembly with 1-1/2" DWV PVC Tailpiece.
- Includes cutting template and mortar/tile guard.

REVISED 10/10/2023

# FREESTANDING TUB DRAIN DROP-IN ROUGH-IN FOR PVC PIPE



All dimensions and specifications are nominal and may vary. Use actual products for accuracy in critical situations.