



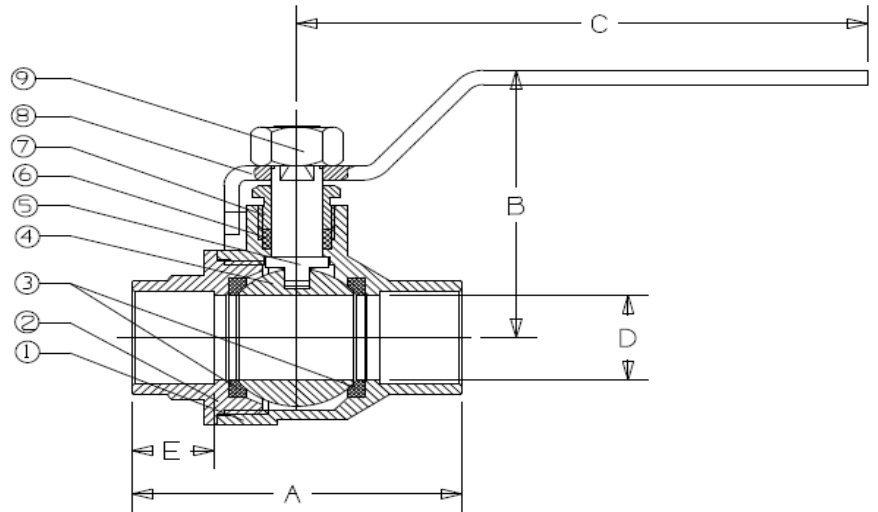
H-x070 Series

Full Port Forged Brass Ball Valve
w/ Adjustable Packing Gland

Certifications
ANSI Z21.15/CSA 9.1



NO.	DESCRIPTION	MATERIAL
1	Body	Brass
2	End Cap	Brass
3	Ball Seat	PTFE
4	Ball	Brass
5	Stem	Brass
6	Stem Packing	PTFE
7	Packing Gland	Brass
8	Handle	Steel
9	Handle Nut	Steel



Designed for residential, commercial, or industrial use with water, oil, or gas. This approved Webstone valve is actuated by a blowout proof stem and features an adjustable packing gland. Threaded ends comply with ANSI B1.20.1. ANSI Z21.15/CSA 9.1 certification applies to threaded models only; up to 1/2 PSI.

ITEM#	Connection Type	SIZE (in)	Max Temp	Pressure Rating	A	B	C	D	E
H-40702	FIP	1/2	200 °F Max	600 PSI CWP MAX	2.05	1.94	3.54	0.58	0.52
H-40703	FIP	3/4	200 °F Max	600 PSI CWP MAX	2.36	2.11	3.78	0.75	0.56
H-40704	FIP	1	200 °F Max	600 PSI CWP MAX	2.76	2.58	4.53	0.95	0.63
H-40705	FIP	1 1/4	200 °F Max	600 PSI CWP MAX	3.31	2.96	4.53	1.26	0.77
H-40706	FIP	1 1/2	200 °F Max	600 PSI CWP MAX	3.66	3.37	5.51	1.58	0.72
H-40707	FIP	2	200 °F Max	600 PSI CWP MAX	4.18	3.70	5.51	1.97	0.75
H-50702	SWT	1/2	200 °F Max	600 PSI CWP MAX	1.99	1.85	3.74	0.59	0.50
H-50703	SWT	3/4	200 °F Max	600 PSI CWP MAX	2.74	2.09	3.94	0.79	0.75
H-50704	SWT	1	200 °F Max	600 PSI CWP MAX	3.35	2.56	4.33	0.98	0.91
H-50705	SWT	1 1/4	200 °F Max	600 PSI CWP MAX	3.80	2.68	5.00	1.26	0.96
H-50706	SWT	1 1/2	200 °F Max	600 PSI CWP MAX	4.42	3.15	6.18	1.57	1.10
H-50707	SWT	2	200 °F Max	600 PSI CWP MAX	5.34	3.46	6.18	1.97	1.34



H-x070W Series

Full Port Forged DZR Brass Ball Valve
w/ Adjustable Packing Gland

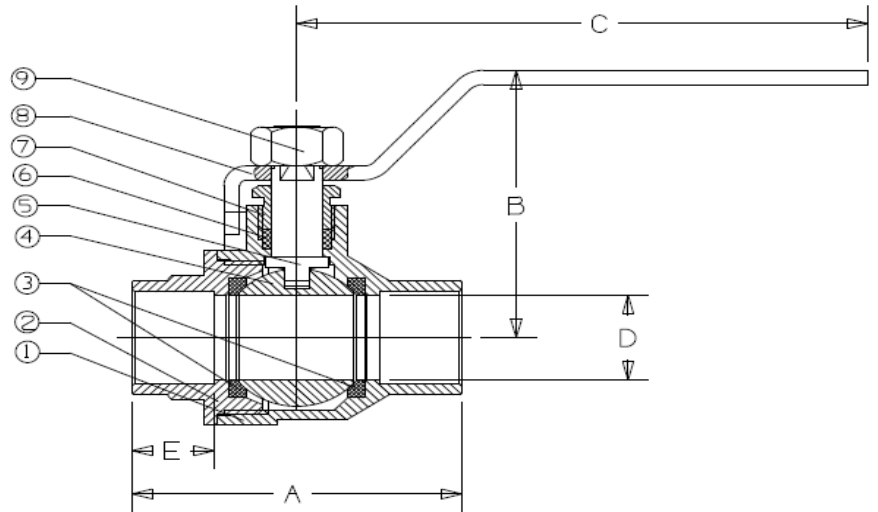
Certifications

Certified to NSF/ANSI 61 - ANSI Z21.15/CSA 9.1

Lead-Free



NO.	DESCRIPTION	MATERIAL
1	Body	Lead-Free DZR Brass
2	End Cap	Lead-Free DZR Brass
3	Ball Seat	PTFE
4	Ball	Lead-Free DZR Brass
5	Stem	Brass
6	Stem Packing	PTFE
7	Packing Gland	Brass
8	Handle	Steel
9	Handle Nut	Steel



Designed for residential, commercial, or industrial use with water, oil, or gas. This approved Webstone valve is actuated by a blowout proof stem and features an adjustable packing gland. Threaded ends comply with ANSI B1.20.1. ANSI Z21.15/CSA 9.1 certification applies to threaded models only; up to 1/2 PSI.

ITEM#	Connection Type	SIZE (in)	Max Temp	Pressure Rating	A	B	C	D	E
H-40702W	FIP	1/2	200 °F Max	600 PSI CWP MAX	2.05	1.94	3.54	0.58	0.52
H-40703W	FIP	3/4	200 °F Max	600 PSI CWP MAX	2.36	2.11	3.78	0.75	0.56
H-40704W	FIP	1	200 °F Max	600 PSI CWP MAX	2.76	2.58	4.53	0.95	0.63
H-40705W	FIP	1 1/4	200 °F Max	600 PSI CWP MAX	3.31	2.96	4.53	1.26	0.71
H-40706W	FIP	1 1/2	200 °F Max	600 PSI CWP MAX	3.66	3.37	5.51	1.58	0.72
H-40707W	FIP	2	200 °F Max	600 PSI CWP MAX	4.18	3.70	5.51	1.70	0.75
H-50702W	SWT	1/2	200 °F Max	600 PSI CWP MAX	1.99	1.85	3.74	0.59	0.50
H-50703W	SWT	3/4	200 °F Max	600 PSI CWP MAX	2.74	2.09	3.94	0.79	0.75
H-50704W	SWT	1	200 °F Max	600 PSI CWP MAX	3.35	2.56	4.33	0.98	0.91
H-50705W	SWT	1 1/4	200 °F Max	600 PSI CWP MAX	3.80	2.68	5.00	1.26	0.96
H-50706W	SWT	1 1/2	200 °F Max	600 PSI CWP MAX	4.42	3.15	6.18	1.57	1.10
H-50707W	SWT	2	200 °F Max	600 PSI CWP MAX	5.34	3.46	6.18	1.97	1.34



H-x070WSSW Series

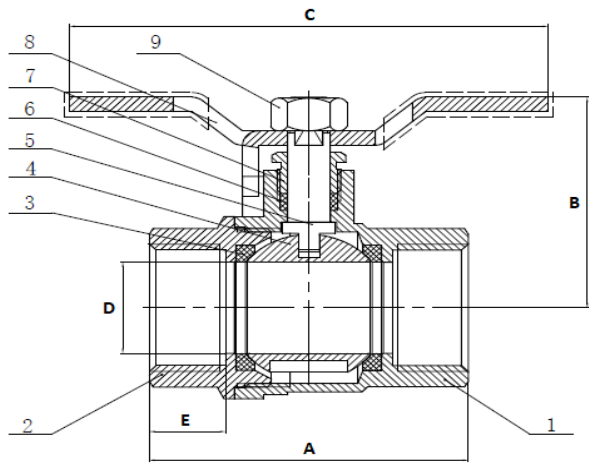
Full Port Forged DZR Brass Ball Valve
w/ Stainless Steel Wing Handle
& Adjustable Packing Gland

Certifications

Certified to NSF/ANSI 61 - ANSI Z21.15/CSA 9.1 (Applies to base model H-4070xW)
Lead-Free



NO.	DESCRIPTION	MATERIAL
1	Body	Lead-Free DZR Brass
2	End Cap	Lead-Free DZR Brass
3	Ball Seat	PTFE
4	Ball	Lead-Free DZR Brass
5	Stem	Brass
6	Stem Packing	PTFE
7	Packing Gland	Brass
8	Handle	Stainless Steel
9	Handle Nut	Stainless Steel



Designed for residential, commercial, or industrial use with water, oil, or gas. This approved Webstone valve is actuated by a blowout proof stem and features an adjustable packing gland. Threaded ends comply with ANSI B1.20.1.

ITEM#	Connection Type	SIZE (in)	Max Temp	Pressure Rating	A	B	C	D	E
H-40702WSSW	FIP	1/2	200 °F Max	600 PSI CWP MAX	2.05	1.46	2.95	0.58	0.52
H-40703WSSW	FIP	3/4	200 °F Max	600 PSI CWP MAX	2.36	1.72	3.54	0.75	0.56
H-40704WSSW	FIP	1	200 °F Max	600 PSI CWP MAX	2.76	1.96	3.94	0.94	0.63