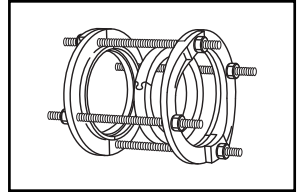
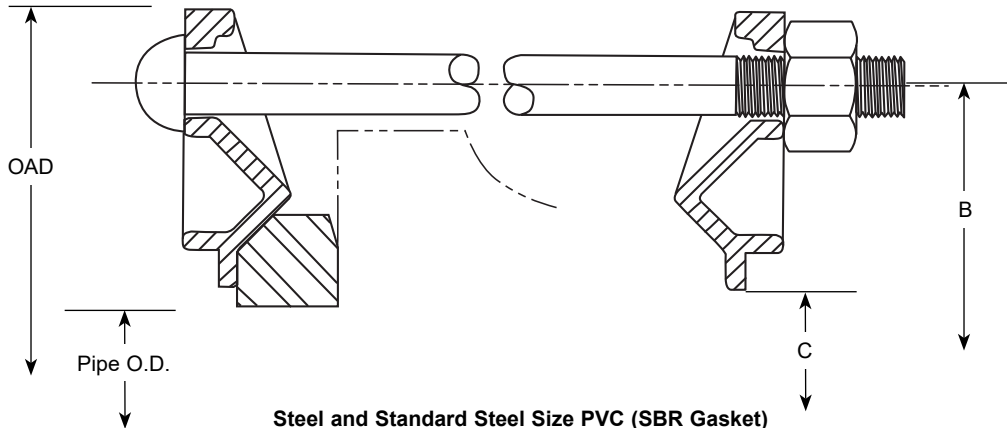


# SUBMITTAL INFORMATION

## Bell Joint Leak Clamp - (FBC-xxx style)



### BELL JOINT REPAIR CLAMPS FOR CAST IRON, PVC, DUCTILE IRON AND STEEL PIPE



Steel and Standard Steel Size PVC (SBR Gasket)

NOM. PIPE SIZE	OVERALL PIPE O.D.	DIAMETER (OAD)	DIAMETER (B)	CLAMP I.D. (C)	BOLT/STUD		APPROX. WT. LBS.	CATALOG NUMBER	✓ SUBMITTED ITEM(S)
					SIZE (IN.)	QTY.			
2"	2.38	5-5/8"	4-1/2"	2-1/2"	1/2 x 7	2	5	FBC-238	
2-1/2"	2.88	6-1/8"	5"	3"	1/2 x 7	2	5	FBC-288	
3"	3.5	6-3/4"	5-5/8"	3-5/8"	1/2 x 12	2	5	FBC-350	
4"	4.5	7-13/16"	6-11/16"	4-11/16"	1/2 x 12	4	13	FBC-450	
6"	6.63	9-15/16"	8-13/16"	6-13/16"	1/2 x 12	4	14	FBC-663	
8"	8.63	12-5/8"	11-1/2"	8-13/16"	1/2 x 12	4	18	FBC-863	
10"	10.75	16"	14-7/8"	10-15/16"	1/2 x 16	6	24	FBC-1075	
12"	12.75	18"	16-7/8"	12-15/16"	1/2 x 16	6	28	FBC-1275	

Cast Iron, Ductile Iron or C900 PVC (NBR (Buna-N) Gasket)

NOM. PIPE SIZE	OVERALL PIPE O.D.	DIAMETER (OAD)	DIAMETER (B)	CLAMP I.D. (C)	BOLT/STUD		APPROX. WT. LBS.	CATALOG NUMBER	✓ SUBMITTED ITEM(S)
					SIZE (IN.)	QTY.			
4"	4.80-5.00	10-13/16"	9-5/16"	5-3/16"	5/8 x 9	4	16	FBC-500	
6"	6.90-7.10	13-1/16"	11-9/16"	7-1/4"	5/8 x 9	4	19	FBC-710	
8"	9.05-9.30	15-7/8"	14-3/8"	9-7/16"	5/8 x 11	4	21	FBC-930	
10"	11.10-11.40	17-3/4"	16-1/4"	11-9/16"	5/8 x 14	6	27	FBC-1140	
12"	13.20-13.50	20-1/16"	18-9/16"	13-5/8"	5/8 x 14	6	31	FBC-1350	

Note: For use on C900 PVC, add "-C900" to end of the catalog number. This option will provide longer bolts than indicated to accommodate a PVC bell only.

### FEATURES

- Repair leaking bell joints on PVC or cast iron pipe without recaulking or cutting out the joint
- A keyed insert enables adjustment of the NBR (Buna-N) gasket to fit either the old or new styles of cast iron pipe
- Body: Ductile iron ASTM A536
- Gaskets: SBR rubber or NBR (Buna-N) rubber per ASTM C111
- Bolts and nuts: Low alloy ASTM A242 and AWWA C111
- Finish: Black e-coat epoxy

The Ford Meter Box Company considers the information in this submittal form to be correct at the time of publication. Item and option availability, including specifications, are subject to change without notice. Please verify that your product information is current.



**The Ford Meter Box Company, Inc.**

P.O. Box 443, Wabash, Indiana U.S.A. 46992-0443

Phone: 260-563-3171 / Fax: 800-826-3487

Overseas Fax: 260-563-0167

www.fordmeterbox.com

07/10/18

Submitted By: