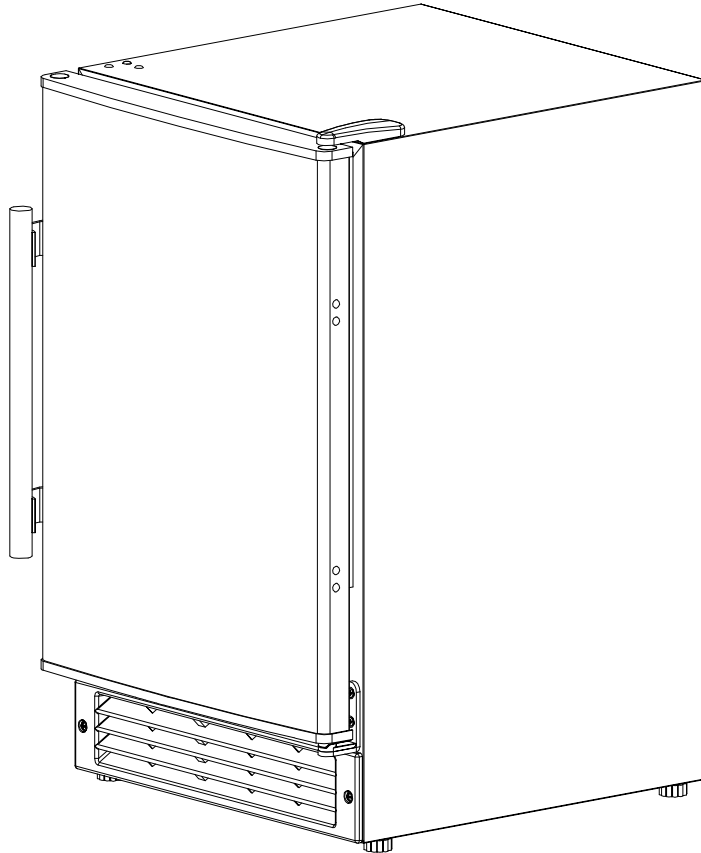


# EDGE STAR<sup>®</sup>

## Compact Crescent Ice Maker



### IB121SS

## Owner's Manual

## Important Safety Information



**DANGER: Risk of fire or explosion  
Flammable Refrigerant Used**

Improper handling can cause serious damage or injury. Please read the following safety information in its entirety.

**Do not use the appliance other than for its intended purpose.** Any other use may invalidate the warranty. Please review the rating label located inside of the unit for electrical and other technical data related to this unit. The unit must be used with a properly grounded wall outlet.



### Flammable Refrigerant Safety R-600a

- Do not use mechanical devices or other means to accelerate the defrosting process, other than those recommended by manufacturer.
- Do not puncture refrigerant tubing. Risk of fire or explosion.
- Only service personnel trained in flammable refrigerants should repair the unit.
- Keep ventilation openings clear of obstruction.
- Do not use electrical appliances inside the food storage compartment of the appliance, unless they are recommended by the manufacturer.
- Do not damage the refrigeration circuit.
- Dispose of properly in accordance with the applicable federal or local regulations.



**DANGER:** Flammable Refrigerant Used! When handling, moving, and using the ice maker, make sure to avoid either damaging the refrigerant tubing or increasing the risk of a leak.



### General Safety

- Children eight (8) years of age and older and people with reduced physical, sensory or mental capabilities or lack of experience and knowledge can use this appliance if they have been given supervision or instruction concerning use of the appliance in a safe way and they understand the hazards involved.
- Never allow children to operate, play with or crawl inside the appliance.
- Never allow children to clean and maintain the machine without supervision.
- Do not touch the condenser surfaces. They are sharp and can be easily damaged.
- To ensure proper ventilation for the appliance, keep obstructions away from the front of the unit.
- Keep fingers out of the “pinch point” areas. Clearance between the door and cabinet are necessarily small. Be careful closing the door when children are in the area.
- Do not touch the evaporator with your hand when the appliance is operating.
- Never clean the appliance parts with flammable fluids. Do not store or use gasoline or other flammable vapors and liquids in the vicinity of this appliance or any other appliances. The fumes can create a fire hazard or explosion.
- Do not use solvent-based cleaning agents or abrasives on the interior. These cleaners may transmit taste to the ice cubes, or damage or discolor the interior.

- Children eight (8) years of age and older and people with reduced physical, sensory or mental capabilities or lack of experience and knowledge can use this appliance if they have been given supervision or instruction concerning use of the appliance in a safe way and they understand the hazards involved.
- Never allow children to operate, play with or crawl inside the appliance.
- Never allow children to clean and maintain the machine without supervision.
- Do not touch the condenser surfaces. They are sharp and can be easily damaged.
- To ensure proper ventilation for the appliance, keep obstructions away from the front of the unit.
- Keep fingers out of the “pinch point” areas. Clearance between the door and cabinet are necessarily small. Be careful closing the door when children are in the area.
- Do not touch the evaporator with your hand when the appliance is operating.
- Never clean the appliance parts with flammable fluids. Do not store or use gasoline or other flammable vapors and liquids in the vicinity of this appliance or any other appliances. The fumes can create a fire hazard or explosion.
- Do not use solvent-based cleaning agents or abrasives on the interior. These cleaners may transmit taste to the ice cubes, or damage or discolor the interior.
- If the appliance will not be used for a long time, thoroughly clean it before the next use. Carefully follow any instructions provided for cleaning or the use of sanitizing solution. Do not leave any solution inside the appliance after cleaning.
- Do not use the appliance if the power cord is damaged. If the power cord is damaged, have a qualified electrician replace the power cord.
- Never lift, carry or drag the appliance by the power cord.
- Do not connect or disconnect the electric plug when your hands are wet.
- Never unplug the appliance by pulling on the power cord. Always grip the plug firmly and pull straight out from the outlet.
- When moving the appliance, do not turn it upside-down and do not unlevel it more than 45 degrees.
- Do not move the appliance without emptying it and securing the door in the closed position.
- Connect to potable water supply only.


**California Proposition 65**

Certain components in this product and its related accessories contain chemicals known to the state of California to cause cancer, birth defects or other reproductive harm.



**DISPOSAL:** This appliance may not be treated as regular household waste, it should be taken to the appropriate waste collection.

# Table of Contents

Important Safety Information .....	1
Introduction.....	4
Parts Identification.....	5
Accessories .....	6
Before Installing the Ice Maker.....	6
Installing the Handle .....	6
Reversing the Door Swing .....	7
Cutout Dimensions .....	8
Installing the Ice Maker.....	8
Location .....	8
Leg Adjustment.....	9
Electrical Connection .....	9
Extension Cord .....	9
Connecting The Water Supply .....	9
Operation.....	10
Maintenance.....	10
Defrosting .....	10
Cleaning.....	11
Power Failure.....	11
Vacation Time/Storage.....	11
Moving Your Ice Maker .....	11
Troubleshooting Guide .....	12
Specifications .....	14

## Introduction

Thank you for purchasing this EdgeStar Compact Crescent Ice Maker. We hope that this purchase will be the beginning of a lasting and rewarding relationship between you and EdgeStar. We will provide the customer support and exemplary products necessary to nurture that relationship.

This manual contains important information regarding the proper installation, use, and maintenance of your commercial refrigerator. Following this manual will ensure that your product will work at its peak performance and efficiency.

**Please save the original product packaging in case you need to safely transport your commercial refrigerator.**

### For Your Records:

Please write down the model number and serial number below for future reference. Both numbers are located on the rating label on the back of your unit and are needed to obtain warranty service. You may also want to staple your receipt to this manual as it is the proof of your purchase, and is also needed for service under your warranty.

Model Number: \_\_\_\_\_

Serial Number: \_\_\_\_\_

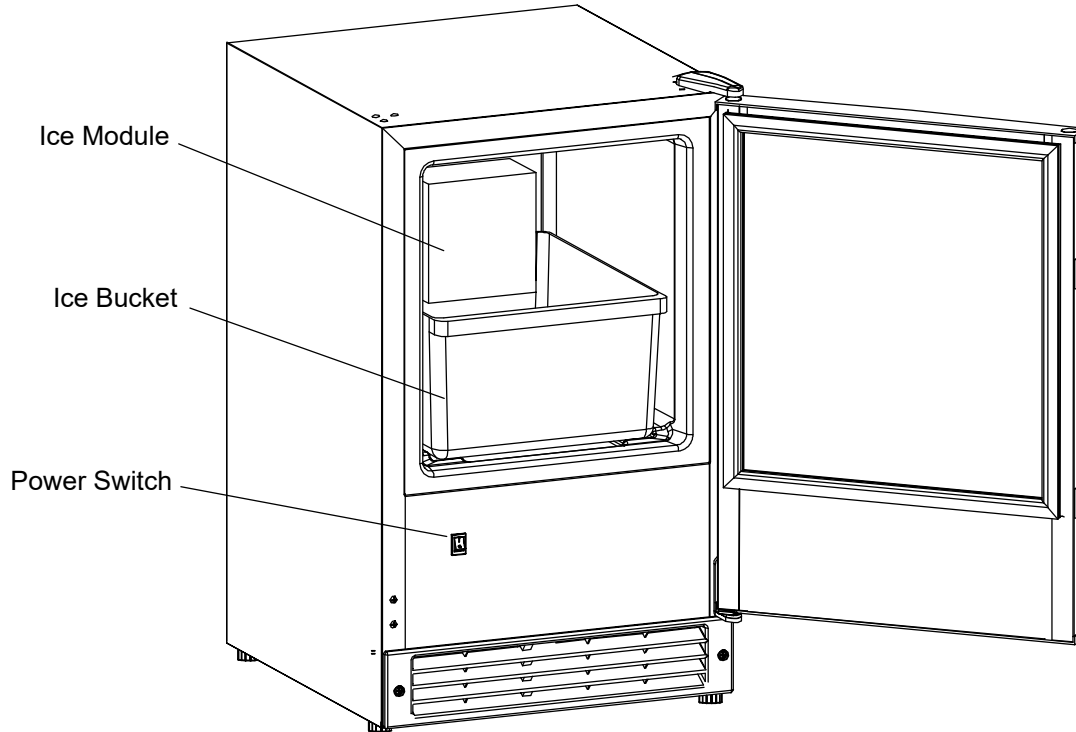
Date of Purchase: \_\_\_\_\_

For a more efficient experience, please do the following before contacting customer service:

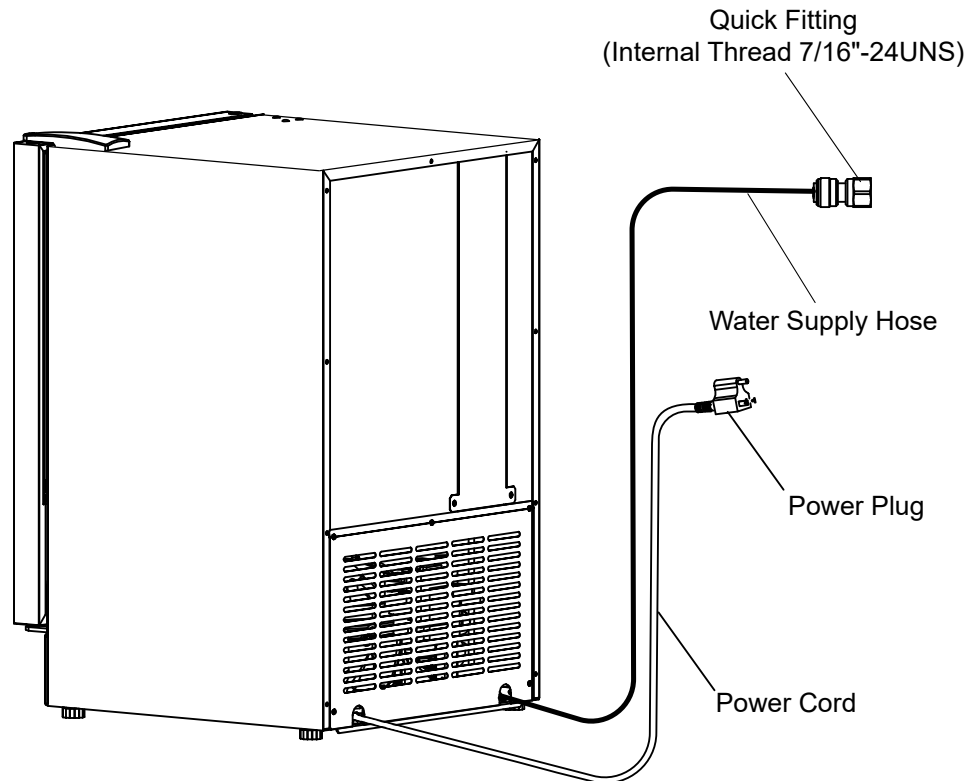
- If you received a damaged product, immediately contact the retailer or dealer who sold the product.
- Read and follow this instruction manual carefully to help you install, use, and maintain your commercial refrigerator.
- Read the troubleshooting section of this manual. It will help you diagnose and solve common issues.
- Visit us on the web at [www.edgestar.com](http://www.edgestar.com) to register your product, download product guides, and access additional troubleshooting resources and up-to-date information.
- For warranty service, customer service representatives are available at [service@edgestar.com](mailto:service@edgestar.com).

## Parts Identification

### Front View:



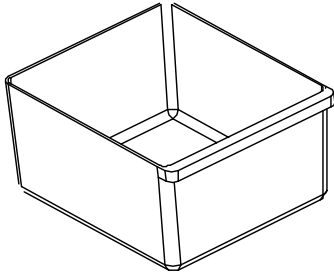
### Back View:



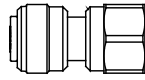
## Accessories



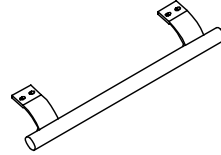
Ice Scoop



Ice Bucket



Quick Fitting  
Internal Thread  
7/16"-24UNS



Handle



Tapping  
Screw

## Before Installing the Ice Maker

Before using your ice maker, remove the exterior and interior packaging and check to make sure you have the following accessories:

- Ice scoop
- Ice bucket
- Quick fitting (for connecting water supply)
- Handle
- Four (4) tapping screws
- Instruction manual.



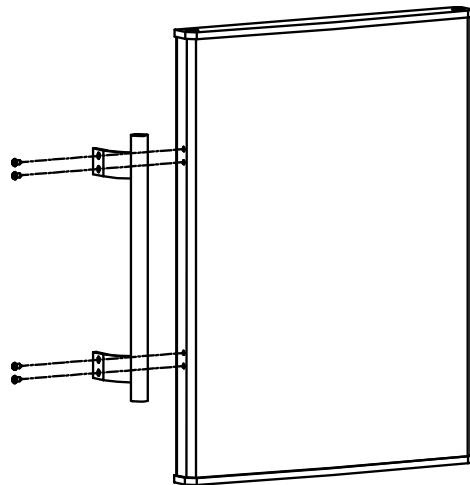
**CAUTION:** Before connecting the ice maker to the power source, let it stand upright for approximately four (4) hours. This will reduce the possibility of a malfunction in the cooling system from handling during transportation.

Clean the interior surfaces with lukewarm water and a soft cloth.

## Installing the Handle

To install the handle:

1. Decide how you want the door to swing. If you want to reverse the door swing, see "Reversing the Door Swing." If not, install the door handle.
2. Align the handle with the screw holes on the door.
3. Use a Phillips screwdriver to attach the handle to the door with the four (4) tapping screws.



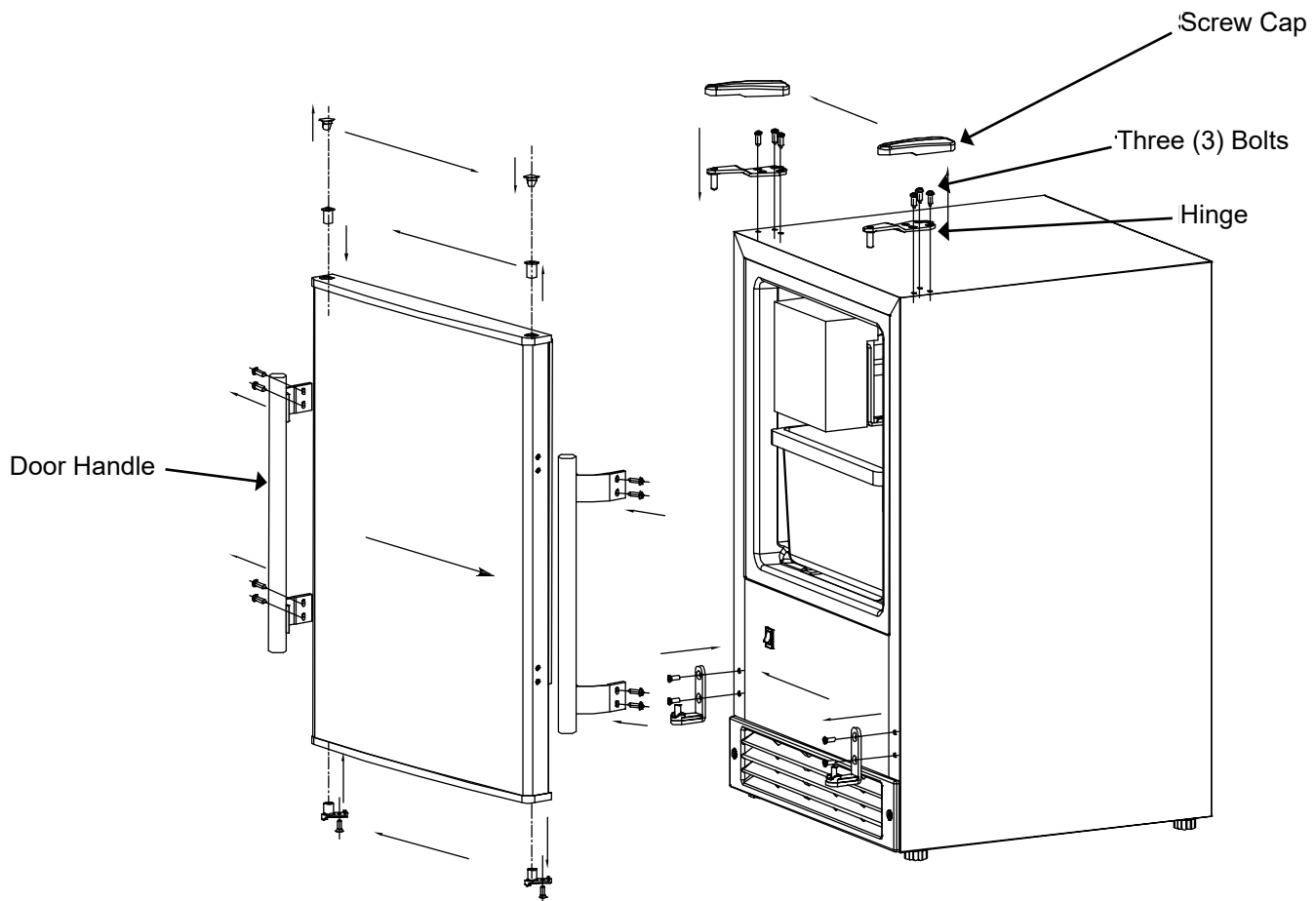
## Reversing the Door Swing

The ice maker door can open from either the left or right side. The unit is delivered to you with the door opening from the left side (hinged on the right).



**CAUTION:** Before you begin, make sure the ice maker is unplugged.

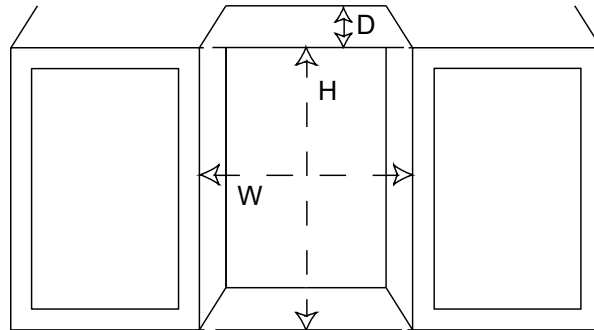
1. Open the screw cap on the top hinge and unscrew the three (3) bolts to take away the top hinge and then lift out the door.
2. Unscrew the door handle from the left (if installed), and install the door handle to the right side of the door.
3. Cover the left screw holes by the plugs from the right (if necessary) and move the door closing assistant from the bottom right of the door to the left.
4. Uninstall the top and bottom hinges and relocated them to the left side of the cabinet, keep the door closing assistant with the bottom hinge.
5. Install the door on the bottom hinge, and then install the top hinge on the left. Tighten firmly.
6. Install the door handle by lining up the handle with the screw holes on the right side of the door and using a Phillips screwdriver to attach the door.





## Cutout Dimensions

The product is designed and manufactured for seamless integration in the specified cutout opening shown, which requires precise measurements. The opening must be square and plumb front to back. Although not required, you may choose to increase the overall cutout width for ease of installation. It is recommended to leave at least two (2) inches for the back, and 1/4 inch for the top and sides.



W=15-1/4"

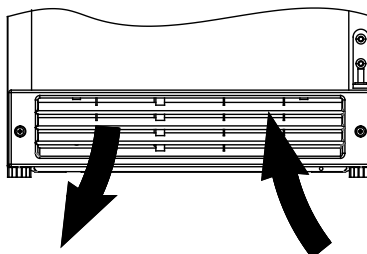
H=25-1/4"

D=20-1/2"

## Installing the Ice Maker

### Location

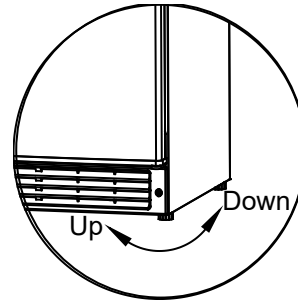
- **Place your ice maker on a level surface that is strong enough to support it when it is fully loaded.** Remember that the unit will be significantly heavier once it is fully loaded and operational.
- **Locate the ice maker away from direct sunlight and sources of heat (stove, heater, radiator, etc.).** Direct sunlight may affect the finish and heat sources may increase electrical consumption.
- **Locate the ice maker away from extreme cold ambient temperatures.** This ice maker is designed for installation indoors in "room temperature" ambient conditions.
- **Avoid locating the ice maker in moist/humid areas.** Too much moisture in the air will cause frost to form quickly on the evaporator requiring frequent defrosting.
- **Position the unit to allow free airflow through the front grille.** This appliance is designed to vent hot air through the front vent. This allows for installation in a recessed or built-in application, if desired.



## Leg Adjustment

Level your ice maker by adjusting the legs at the front of the ice maker.

- Turn clockwise to raise
- Turn counter clockwise to lower.



## Electrical Connection

This ice maker should be properly grounded for your safety. The power cord of this ice maker is equipped with a three-prong plug which mates with standard three-prong wall outlets to minimize the possibility of electrical shock.

- Do not under any circumstances cut or remove the third ground prong from the power cord supplied.
- Do not use an extension cord to connect power to the unit.
- Do not use a two-prong grounding adapter.
- If you only have a two-prong wall receptacle, contact a qualified electrician to have it replaced with a three-prong receptacle in accordance with applicable electrical codes.
- This ice maker requires a standard 115 volts A.C. 60hz electrical outlet with a three-prong Ground.
- The cord should be secured behind the ice maker and not left exposed or loose.

## Extension Cord

Because of potential safety hazards, this appliance is not recommended for use with an extension cord. However, if you must use an extension cord, use only a UL-Listed, three-wire grounding type appliance extension cord with a grounding type plug and outlet. The electrical rating of the cord must be 115 volts and at least 10 amps.

## Connecting The Water Supply

All the necessary hardware is not provided (as the plumbing fixtures at the installation point may differ) for installation, so it is necessary to hire a professional licensed plumber to complete the installation.

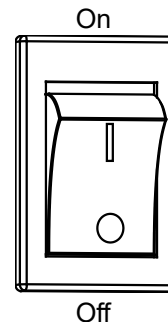
- Connect the water supply tube to the nearest cold water source. Connect sufficient tubing to the unit to allow the appliance to be moved freely for cleaning and service. Also make sure that the tubing is not pinched or damaged during transportation/installation.
- Wipe out the inside of the unit and the ice bucket with a damp cloth.



**WARNING:** Connect to potable water supply only.

## Operation

1. Plug the appliance into a 115/120v polarized and grounded wall electrical outlet.
2. Place the on-off switch in the "I" or "ON" position.
3. Make sure the water supply is on. As soon as the inner mechanism reaches the proper temperature, the ice maker will fill the ice molds with water.
  - The first cubes may be small because of air in the water line. Later cubes will be of standard crescent type size.
  - The first cycle takes between 30-40 minutes.
  - Each cycle will take five (5) oz of water approximately, so you should have a full compartment of ice after 20 hours.



**Note:** Throw away all ice cubes made during the first three (3) hours of operation.

- When the ice bucket is full, the ice making mechanism will automatically shut off.
- When enough ice has been removed, the ice making mechanism will start again.
- Ice delivery may be interrupted by raising the metal arm into an upright position.
- If the ice maker is not used regularly, it is recommended that the ice bucket be emptied periodically to ensure fresh ice.
- Sometimes the cubes may appear cloudy. This is due to the rapid freezing of the ice cube. This is trapped air in the water and does not affect the taste and quality of the ice.
- The front grille should be kept free of dust and lint to allow free airflow.



**WARNING:** Do not store explosive substances such as aerosol cans with a flammable propellant in this appliance!

## Maintenance

### Defrosting

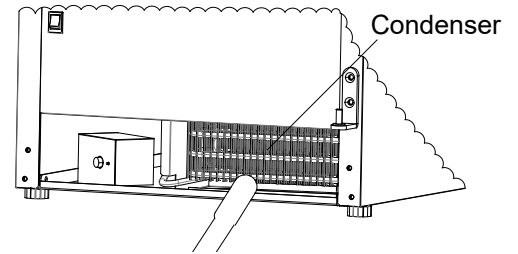
This unit should be defrosted approximately every 4-6 weeks or when frost on the ice maker walls is excessive or 1/4" thick. If the ambient temperature is above 100°F (38°C), defrosting should be more often or the ice production will be affected.

To defrost, turn the unit off, remove the ice cubes, and keep the door propped open at least two (2) inches.

## Cleaning

Turn the switch control to "off", unplug the ice maker, and remove the bucket.

- Wash the inside with a warm water and baking soda solution. The solution should be about two (2) tablespoons of baking soda to a quart of water.
- Wash the bucket with a mild detergent solution.
- The outside of the ice maker should be cleaned with mild detergent and warm water.
- The stainless steel components of the door should be cleaned with stainless steel cleaner.
- The condenser coils should be vacuumed when they are dusty or dirty.



**WARNING:** Failure to unplug the ice maker when cleaning, moving, or servicing it could result in electrical shock or personal injury.

## Power Failure

Most power failures are corrected within a few hours and should not affect the temperature of your ice maker, if you minimize the number of times the door is opened. If the power is going to be off for a longer period of time, you should take the proper steps to disconnect your appliance.

## Vacation Time/Storage

If you want to shut down or store your ice maker for a period of time, perform the following steps:

1. Shut off the water supply at the main water valve.
2. Disconnect the water supply line from the valve.
3. Empty the ice bucket of ice and water.
4. Allow the unit to run for an hour or two (2) until all remaining ice cubes have been ejected and all water has cycled through the system and has been made into ice cubes.
5. Disconnect the unit from the main power source.
6. Dry out excess water from the ice maker assembly.
7. Leave the door open at least two (2) inches.

## Moving Your Ice Maker

To move your ice maker, perform the following steps:

- Securely tape down all loose items inside your ice maker.
- Turn the leveling screws up to the base (their shortest length possible) to avoid damage.
- Tape the door shut.
- Make sure the ice maker stays in the upright position during transportation.

# Troubleshooting Guide

## Before Calling for Service:

If the unit appears to be malfunctioning, read through the “Operation” section of this manual first. If the issue persists, check the troubleshooting guide below. Some of the problems mentioned in the troubleshooting guide can be solved easily without a service call.

SYMPTOMS	POSSIBLE CAUSES	SOLUTIONS
The ice maker does not work.	The ice maker is unplugged.	Plug in the ice maker.
	The breaker is tripped.	Check the breaker. If the problem occurs again, call for service to check for a short circuit in the unit.
	The ice maker’s power button is set to OFF.	Switch the ice maker’s power button to ON.
	If the ambient temperature is over 110°F (43°C), the ice maker may overheat and initiate a protective stop to prevent damage.	If the protective stop occurs, do not restart the unit until the ambient temperature is lower than 86°F (30°C).
	The ice storage bin is full of ice or wire shut-off arm is locked in the up position.	Remove some of the ice. Be sure the wire shut-off arm is lowered.
The water doesn’t feed in after the ice maker starts.	The water supply tap is turned off.	Turn on the water supply tap.
	Water inlet valve malfunction	Call Service.
	The water supply pipe is not properly connected.	Reconnect the water supply pipe.
Water is leaking out of the unit.	The water supply connection is leaking.	Tighten the fitting.
A small amount of water in the ice bin	First initial cycle may add extra water and cause the ice module to overflow.	Body copy set in sentence form. Can be more than one line of text.
No ice is produced.	The wire shut-off arm is locked in the upright position.	Lower the wire shut-off arm.
	Refrigerant leak.	Call Service.
	Ice Module malfunction.	Call Service.
	No water is being supplied to the unit.	Turn on the water or contact a plumber.

<b>SYMPTOMS</b>	<b>POSSIBLE CAUSES</b>	<b>SOLUTIONS</b>
The machine makes ice, but at a very slow rate.	The condenser is dirty.	Clean the condenser.
	The air flow to the ice maker is obstructed.	Check the installation to ensure the air flow to the ice maker is not blocked.
	The ambient temperature is high, or the unit is near a heat source.	Check the installation to ensure the ambient temperature is in the proper range.
The ice cubes are partially formed.	There is not enough water in the water trough.	Check if the water supply pressure is below 20 psig. The water supply or filter may be restricted.
	The thermostat may have been adjusted to the highest temperature setting.	Adjust thermostat towards the COLDEST.
Abnormal Ice, melting or formed together	The ambient temperature is high, or the unit is near a heat source.	Adjust thermostat towards the COLDEST.
	The door gasket does not seal properly.	Check the door is properly closed.
	Power Off.	Check power supply.
	Refrigerant leak.	Call Service.
The unit accumulates frost and has to be defrosted often.	Door isn't properly closed door left open for too long when retrieving ice.	Defrost the ice maker as needed. Keep the door closed as much as possible.
	High humidity environment.	Increase the defrost frequency.
	The unit may not be leveled and secure.	Level and secure the unit.

## Specifications

Description of product	Built-in Ice Maker
Model	IB121SS
Voltage/Frequency	AC 115V~60Hz
Ice-Making / Ice-Harvest rated current	1.2A / 1.5A
Refrigerant	R600a, 1.69Oz.
Installation Type	Free Standing / Built-in
Unit Dimension (W×D×H)*	14-15/16" × 18-1/2" × 24-7/8"
Working Temperature	50°F -100°F
Working Water Pressure	20~80Psi
Ice Storage Capacity	12 lbs. maximum
Ice-making Capability at 50°F	15 lbs./day*
Ice Shape	Crescent
Ice Cube Dimensions (Approximate)	7/8" × 7/8" × 2-1/4"
Net Weight	50 lbs.

\* The actual quantity of ice produced per day will vary with ambient room and water conditions.



**Note:** Technical data and performance information are provided for reference only and subject to change.



**Note:** Depth without handle is 17".

# EdgeStar Limited Warranty

## One (1) Year Parts & Ninety (90) Days Labor

### WHAT IS COVERED:

This product is warranted by EdgeStar and is subject to any conditions set forth as follows:

**LABOR:** For a period of NINETY (90) DAYS from the date of original purchase, labor will be performed free of charge at an authorized EdgeStar repair facility. At its option, EdgeStar will repair the product with new or remanufactured parts, or exchange the defective product with a new, refurbished, or remanufactured product. If a product is replaced, it will carry the remaining warranty of the original product. After the ninety (90) day period, EdgeStar will no longer be responsible for labor charges incurred. All defective products and parts covered by this warranty will be repaired or replaced on a mail-in basis to an EdgeStar authorized repair facility.

**PARTS:** For a period of ONE (1) YEAR from the date of original purchase, EdgeStar will supply new, rebuilt, or refurbished parts free of charge. EdgeStar may request a defective part be returned in exchange for the replacement part. All replacement parts or products will be new, remanufactured, or refurbished. All products and parts replaced by EdgeStar under warranty service become the property of EdgeStar.

This warranty applies to the original purchaser only, and only covers defects in workmanship experienced during operation of the product under normal service, maintenance, and usage conditions. This warranty applies to the purchase and use of this product in residential settings within the contiguous United States of America.

### Exceptions: Commercial or Rental Use Warranty

90 days labor and parts from date of original purchase. No other warranty applies.

### WHAT IS NOT COVERED- The following limitations apply to the coverage of this warranty. This warranty does not cover:

- Labor charges for installation, setup, or training to use the product.
- Shipping damage, and any damage caused by improper packaging for shipment to an authorized service center, and any damaged caused by improper voltage or any other misuse, including abnormal service, handling, or usage.
- Cosmetic damage such as scratches and dents.
- Normal wear and tear on parts or replacement of parts designed to be replaced, e.g. filters, cartridges, batteries.
- Service trips to deliver, pick-up, or repair, install the product, or to instruct in proper usage of the product.
- Damages or operating problems resulting from misuse, abuse, operation outside environmental specifications, uses contrary to instructions provided in the owner's manual, accidents, acts of God, vermin, fire, flood, improper installation, unauthorized service, maintenance negligence, unauthorized installation or modification, or commercial use.
- Labor, service transportation, and shipping charges for the removal and replacement of defective parts, beyond the initial 12 month period.
- Products that have been modified to perform outside of specifications without the prior written permission of EdgeStar.
- Products lost in shipment, or theft.
- Products sold AS IS or from an unauthorized reseller.
- Products that have had their serial numbers removed, defaced, or with serial numbers that have been invalidated.
- Damage from other than normal household use.
- Replacement or repair of household fuses, circuit breakers, wiring or plumbing.
- Damage to personal property from use of product.
- Damage from service other than from an authorized EdgeStar repair facility.
- Hoses, knobs, lint trays and all attachments, accessories and disposable parts.
- Any service charges not specifically identified as normal such as normal service area or hours.
- Any special or consequential damages arising out of the use of the product.

**OBTAINING WARRANTY SERVICE:** If you believe your product is defective, contact EdgeStar Customer Support for troubleshooting assistance and warranty service at [www.edgestar.com](http://www.edgestar.com) or call 1-866-319-5473. Before contacting Customer Support you are required to have your model number, serial number, and proof of purchase available upon request. Once an EdgeStar authorized representative has confirmed that your product is defective and eligible for warranty service, the product must be returned to an EdgeStar authorized repair facility. EdgeStar is not responsible for damage resulting from shipper mishandling or improper packaging. Do not return a defective product to the place of purchase. Products received without a return authorization number will be refused.

THIS WARRANTY IS IN LIEU OF ANY OTHER WARRANTY, EXPRESS OR IMPLIED, INCLUDING WITHOUT LIMITATION, ANY WARRANTY OF MERCHANTABILITY OR FITNESS FOR A PARTICULAR PURPOSE. TO THE EXTENT ANY IMPLIED WARRANTY IS REQUIRED BY LAW, IT IS LIMITED IN DURATION TO THE EXPRESS WARRANTY PERIOD ABOVE. NEITHER THE MANUFACTURER NOR ITS DISTRIBUTORS SHALL BE LIABLE FOR ANY INCIDENTAL, CONSEQUENTIAL, INDIRECT, SPECIAL, OR PUNITIVE DAMAGES OF ANY NATURE, INCLUDING WITHOUT LIMITATION, LOST REVENUES OR PROFITS, OR ANY OTHER DAMAGE WHETHER BASED IN CONTRACT, TORT, OR OTHERWISE. IN NO EVENT AND UNDER NO CIRCUMSTANCE OF ANY TYPE OR KIND SHALL THE SELLER, MANUFACTURER AND/OR DISTRIBUTOR BE LIABLE FOR ANY REASON, UNDER ANY THEORY, FOR MORE THAN THE BASIC COST OF THE PRODUCT TO THE PURCHASER OR END USER. SOME STATES DO NOT ALLOW THE EXCLUSION OF INCIDENTAL OR CONSEQUENTIAL DAMAGES, SO THE ABOVE EXCLUSION MAY NOT APPLY TO YOU. THIS WARRANTY GIVES YOU SPECIFIC LEGAL RIGHTS. YOU MAY HAVE OTHER RIGHTS THAT VARY FROM STATE TO STATE.