

2000 ANELLO COLLECTION TOWEL BARS

MODERN TRANSITIONAL

sales@preferredbathinc.com

www.preferredbathinc.com

(336) 904-6248



304 STAINLESS STEEL

- 304 STAINLESS STEEL BAR
- SUPERIOR STRONG MOUNTING SYSTEM
- FOUR SCREWS INCLUDED FOR A STRONG SECURE INSTALLATION

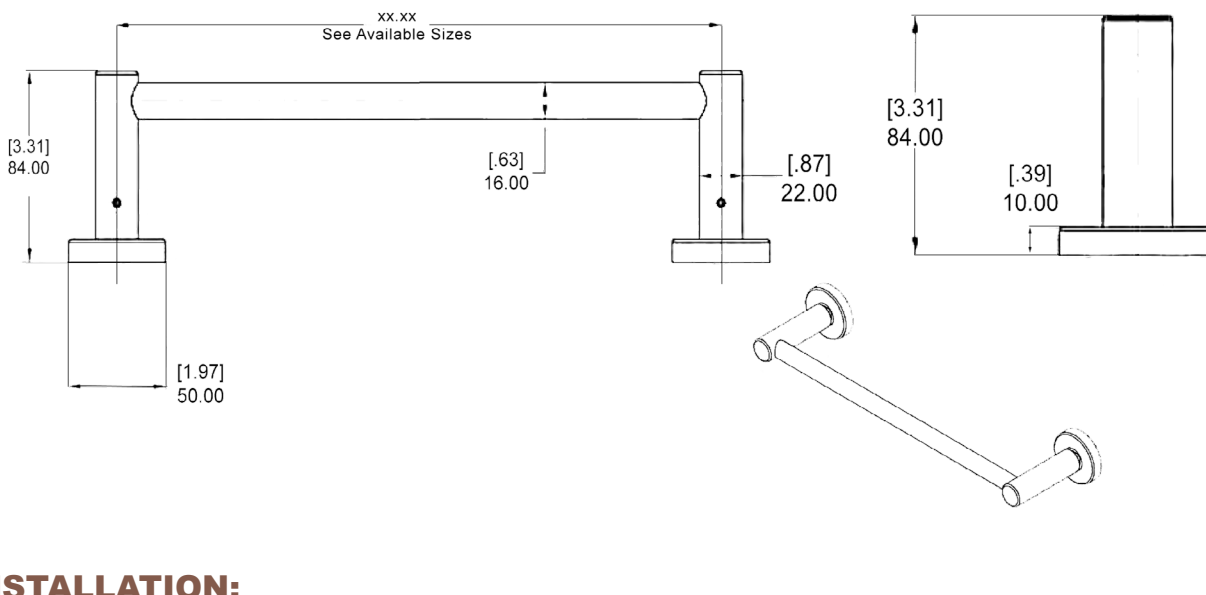
HARDWARE INCLUDED

- STAINLESS STEEL TOWEL BAR - 1
- ALUMINUM WALL MOUNTING BRACKETS - 2
- POSTS AND FLANGES - 2
- STAINLESS STEEL MOUNTING HARDWARE AND WALL ANCHORS INCLUDED

PART NUMBERS	FINISH
2012-PC	POLISHED CHROME
2012-BN	BRUSHED NICKEL
2012-ORB	OIL RUBBED BRONZE
2018-PC	POLISHED CHROME
2018-BN	BRUSHED NICKEL
2018-ORB	OIL RUBBED BRONZE
2024-PC	POLISHED CHROME
2024-BN	BRUSHED NICKEL
2024-ORB	OIL RUBBED BRONZE

WALL MOUNTED

TOWEL BAR SIZE IS DETERMINED BY THE CENTER POST TO CENTER POST DIMENSION



INSTALLATION:

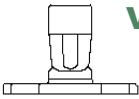
Attach mounting bracket to wall with mounting screws. Slide flange and post over bracket and tighten set screw. Our mounting brackets are designed with horizontal and vertical adjustability for an easy installation.

WOOD BLOCKING IS THE PREFERRED METHOD OF INSTALLATION



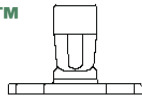
Limited Warranty:

Preferred Bath Accessories Inc. warrants to the purchaser that the product will be free from defects in material and workmanship. If the product does not comply with this warranty, Preferred Bath Accessories Inc. will repair or replace the product or, at Preferred Bath Accessories Inc's. option, refund the purchase price. The limited warranty period is for the lifetime of the product. Limitations on the Warranty: The warranty does not cover, normal wear and tear, product abuse, neglect, improper installation or maintenance. Purchaser Requirements: If this product does not meet Preferred Bath Accessories Inc's. warranty, return the product (postage prepaid) to the place of purchase with proof of purchase and a written claim briefly describing the defect. You may be required to provide other information or evidence of the defect.



VERSA MOUNTING BRACKET™

THE STRONGEST MOST VERSATILE
MOUNTING SYSTEM ON THE MARKET



sales@preferredbathinc.com

www.preferredbathinc.com

(336) 904-6248



BENEFITS AND FEATURES

MATERIAL COMPOSITION

SOLID STRONG ALUMINUM CONSTRUCTION

KEY FEATURES

ONLY A SMALL 1/2" HOLE NEEDED TO USE THE SNAPTOGGLE® DRYWALL ANCHOR
CAN BE USED WITH MULTIPLE ANCHORS OR SCREWS TOGETHER OR SEPARATE

VERSA MOUNTING BRACKET™ | WOOD MOUNTED

METHOD ONE | ONE SCREW WOOD MOUNT

ONE STAINLESS STEEL MOUNTING SCREW USING THE CENTER MOUNTING HOLE



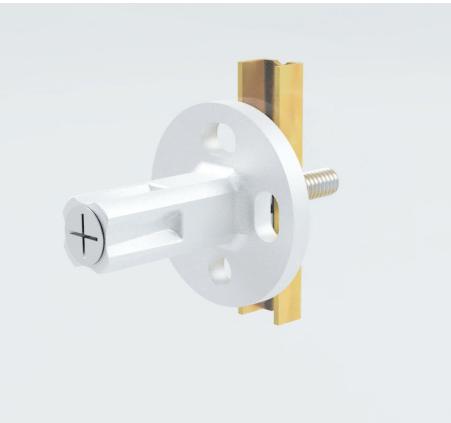
METHOD TWO | TWO SCREW WOOD MOUNT

TWO STAINLESS STEEL MOUNTING SCREWS USING ANY OF THE FOUR OUTSIDE MOUNTING HOLES
SUPERIOR STRENGTH FOR GRAB BAR INSTALLATION



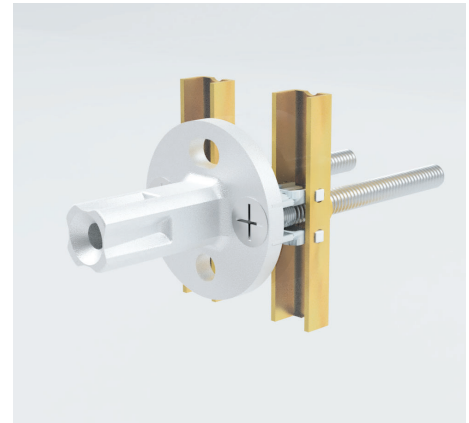
METHOD THREE | ONE SNAPTOGGLE® DRYWALL ANCHOR

ONE SNAPTOGGLE® DRYWALL ANCHOR USING THE CENTER MOUNTING HOLE



METHOD FOUR | TWO SNAPTOGGLE® DRYWALL ANCHORS

TWO SNAPTOGGLE® DRYWALL ANCHORS USING ANY OF THE FOUR OUTSIDE MOUNTING HOLES



METHOD FIVE | ONE SNAPTOGGLE® DRYWALL ANCHOR AND ONE SCREW WOOD MOUNT

ONE SNAPTOGGLE® DRYWALL ANCHOR CAN BE USED WITH ONE STAINLESS STEEL MOUNTING SCREW DRIVEN INTO A WALL STUD OR BLOCKING

