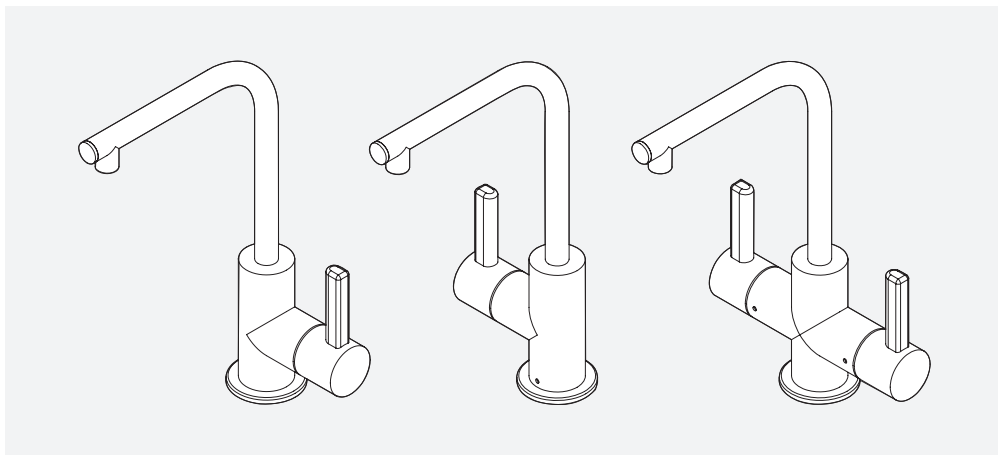


## Universal Filtration L Spout



**UNL-FW-304**

**UNL-HO-304**

**UNL-HC-304**

**EN** Installation manual  
**ES** Manual de instalación  
**FR** Manuel d'installation

Kitchen Faucet  
Grifo de cocina  
Robinet de cuisine



# Table of contents

---

<b>Overview</b>	4
Contents in box	4
Technical data	5
<b>Installation instructions</b>	5
Before you begin	5
Hot water installation options	5
Cold water installation options	5
Preliminary steps	6
Installation steps UNL-FW-304	7
Installation steps UNL-HO-304 / UNL-HC-304	8
<b>Usage and maintenance</b>	9
Usage	9
General maintenance	9
Replacing the cartridge	10
Spare/replacement list UNL-FW-304	11
Spare/replacement list UNL-HO-304	12
Spare/replacement list UNL-HC-304	13

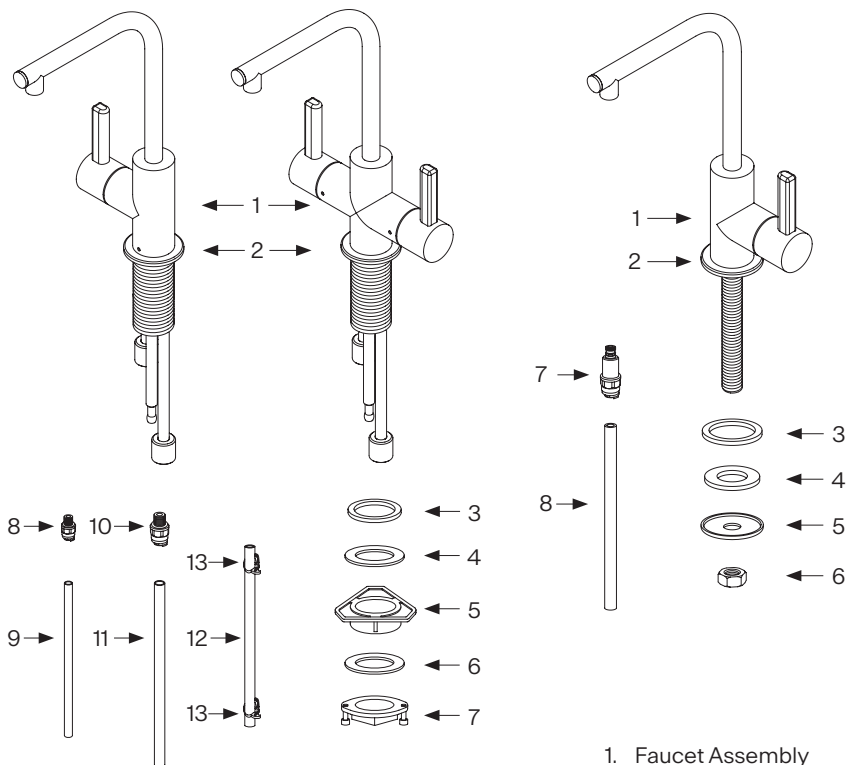
# Overview

## Contents in box

UNL-HO-304

UNL-HC-304

UNL-FW-304



- |                             |                       |
|-----------------------------|-----------------------|
| 1. Faucet Assembly          | 7. Fixing Nut         |
| 2. Escutcheon               | 8. 1/4" Push Fitting  |
| 3. Escutcheon Rubber Washer | 9. 1/4" Poly-tube     |
| 4. Rubber Washer            | 10. 3/8" Push Fitting |
| 5. Plastic Flange           | 11. 3/8" Poly-tube    |
| 6. Fixing Plate             | 12. Silicone Tube     |
|                             | 13. Plastic Clamps    |

- |                             |
|-----------------------------|
| 1. Faucet Assembly          |
| 2. Escutcheon               |
| 3. Escutcheon Rubber Washer |
| 4. Rubber Washer            |
| 5. Press Plate              |
| 6. Fixing Nut               |
| 7. 3/8" Push Fitting        |
| 8. 3/8" Poly-tube           |

**⚠ Note:** Contact us immediately if you see inconsistencies.  
 phone: 1- 800-626-5771  
 website: [www.franke.com](http://www.franke.com)  
 email: [ks-customerservice.us@franke.com](mailto:ks-customerservice.us@franke.com)

## Technical data

Operating data	Value		
Water Pressure (recommended)	35-75 PSI	2.4-5 bar	240-500 kPa
Water Pressure (max.)	145 PSI	10 bar	1000 kPa
Hot Water Temperature (recommended)	120-140°F	50-60°C	
Hole Size For Faucet	1-1/4"	32 mm	



Certifies this faucet complies with ASME A112.18.1 / CSA B125.1, NSF/ANSI/CAN 61-2021: Q<1, NSF 372. The faucet also complies with water usage requirements of the California Energy Commission and the US Department of Energy.

## Installation instructions

### Before you begin

For best results, Franke recommends this faucet be installed by a licensed, professional plumber. The installer should familiarize themselves with how this dispensing faucet will be installed and function as part of a point-of-use water dispensing arrangement **before** the products are installed because there are several installation options. Make certain to observe all local plumbing and building codes during the installation.

### Hot water installation options

The **UNL-HO-304** Series dispenser offers hot water only. This dispenser is required to be used in conjunction with a Franke heating tank unit. Use of a Franke filtration system in addition to the heating tank is optional, but strongly recommended in order to prolong the life and improve the performance of the heat tank, as well as providing much higher quality water as compared to un-filtered water entering the tank.

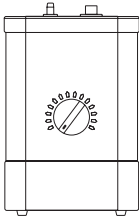
The **UNL-HC-304** Series dispenser offers hot and filtered water separately. This dispenser must be used in conjunction with both a Franke heating unit and a Franke filtration system.

These models both utilize 3 tubes to connect to the system.

- A 3/8" poly-tube for the cold water supply into the dispensing faucet.
- A 1/4" poly-tube to carry the filtered water from the dispensing faucet to the heating tank unit.
- An opaque high temperature silicone tube to carry the heated water from the heating tank back to the dispensing faucet.

### Cold water installation options

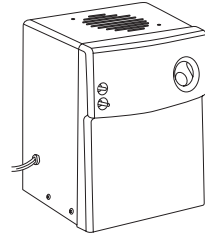
The **UNL-FW-304** Series dispenser provides filtered drinking water as well as the option of chilled drinking water. This dispenser is required to be used in conjunction with a Franke filtration system. For chilled drinking water, a Franke chiller tank unit is required. This model utilizes a 3/8" poly-tube to supply filtered water to the faucets.



Heating Tank



Filtration Systems



Chiller Tank

**Important:** Franke strongly recommends using only genuine Franke components in tandem with all Franke dispensing faucets. The function of the dispensing faucets cannot be guaranteed if using filtration products, heating tanks, or accessories other than genuine Franke components.

## Preliminary steps

1. It is recommended to take the components and locate their optimum positions before starting the installation.
2. Make sure there is adequate clearance for the dispenser handle(s) to open fully without interference.
3. Make sure all plumbing and electrical connections will reach the intended mounting positions for all the components and there will be no obstruction or sharp bends in the plumbing.
4. Make sure the counter top is no thicker than 2".

**Important:** For subsequent steps, it will be required to cut and route tubing to fit the specific application in your home. All tubing must be cut squarely and free of burrs. Ensure there is no damage within 1" of the cut end.

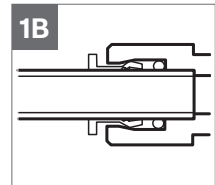
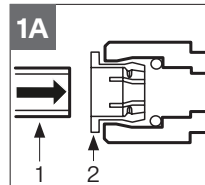
### Do not use any forms of sealing compounds:

This is not required for push fit connections, and using sealing compounds could cause leaks.

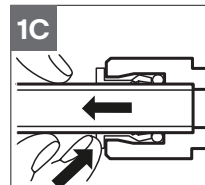
All tubing connections must be routed to avoid sharp bends and have enough slack to avoid straining connections. Pull gently on each connection to make sure they are secure. See diagram below for details on tubing installation and removal.

5. How to insert/remove tubing in push fit connections:

- Insert the Tube (1) squarely (fig. 1A).
- Make sure to insert tubing completely (fig. 1B).



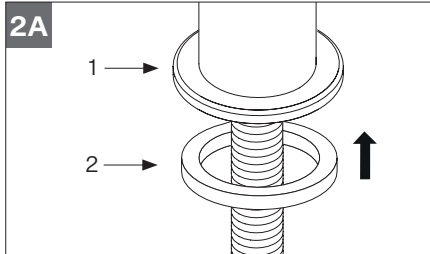
- To remove, push in Collet (2) and pull out Tubing (1) (fig. 1C).



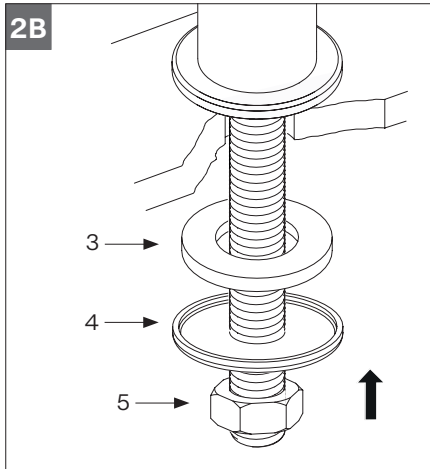
6. Remove all contents from the package and check for completeness.
7. Cut mounting hole 1-1/4" in diameter (32 mm) in the desired position (if one isn't available).
8. Turn off water supply.

## Installation steps UNL-FW-304

1. Remove mounting hardware from faucet body shank.
2. Slide the Escutcheon (1) over the shank. Make sure the Rubber Washer (2) is positioned in its seat in the Escutcheon (fig. 2A).

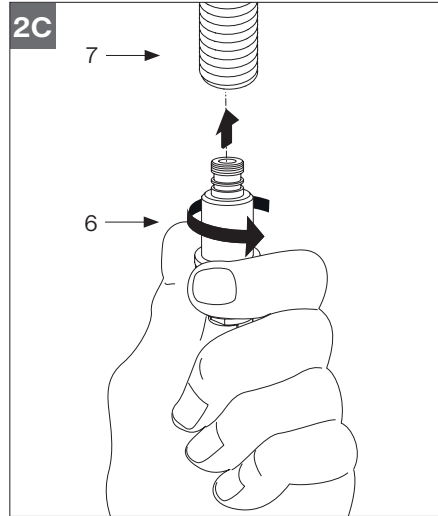


3. Place the faucet in the hole, orienting the spout towards the sink bowl with the handles in position to rotate forward.
4. Install mounting hardware underneath the mounting surface in the following order: Rubber Washer (3), Press Plate (4) and Fixing Nut (5) (fig. 2B).



5. Connect the cold water supply to the faucet:
  - Screw in 3/8" Push Fitting (6) into Mounting Shank (7) (fig. 2C).

**Hand tighten only!**



**Warning:** Use of tools to tighten this fitting can lead to leaks!

- Insert the 3/8" Poly-tube into the Push Fitting (fig. 1A, 1B).

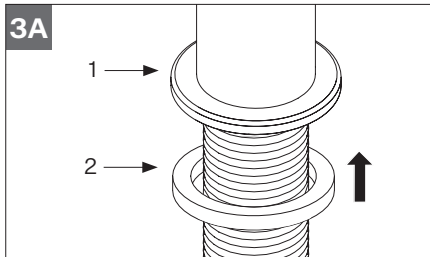
**Note:** There should be a service label attached to the poly-tubing. Do not remove label.

6. Connect the 3/8" poly-tube to the outlet of the filtration system as outlined in the filtration system instructions.
7. Turn on the water and check for leaks.

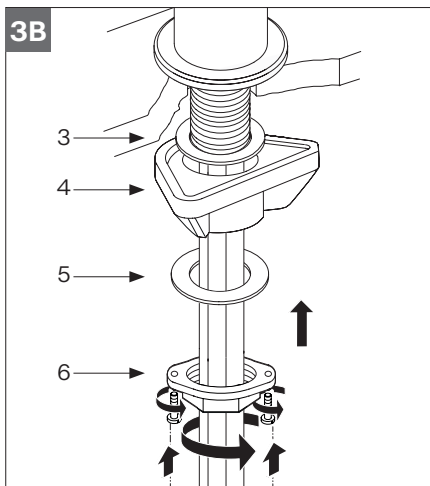
## Installation steps

### UNL-HO-304 / UNL-HC-304

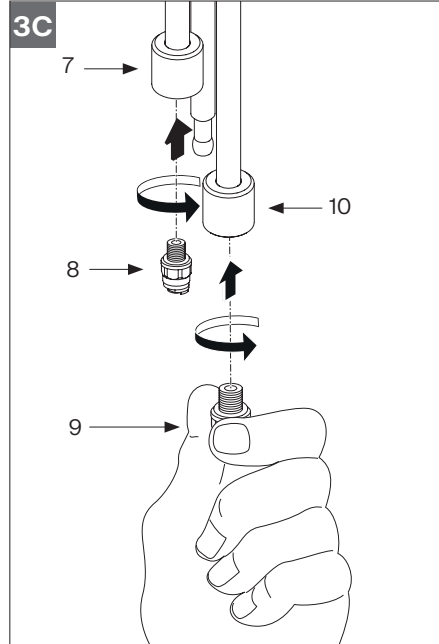
1. Remove mounting hardware from faucet body shank.
2. Slide the Escutcheon (1) over the shank. Make sure the Rubber Washer (2) is positioned in its seat in the Escutcheon (fig. 3A).



3. Place the faucet in the hole, orienting the spout towards the sink bowl with the handles in position to rotate forward.
4. Install mounting hardware to the mounting shank underneath the mounting surface in the following order: Rubber Washer (3), Plastic Flange (4), Fixing Plate (5) and Fixing Nut (6) (fig. 3B).



5. Tighten 2 screws in Fixing Nut (6) to secure the nut (fig. 3B).
6. Screw in the 1/4" Push Fitting (8) into the Hot Water Inlet (7) and screw the 3/8" Push Fitting (9) into the Cold Water Inlet (10) (fig. 3C). **Hand tighten only!**



**Warning:** Use of tools to tighten this fitting can lead to leaks!

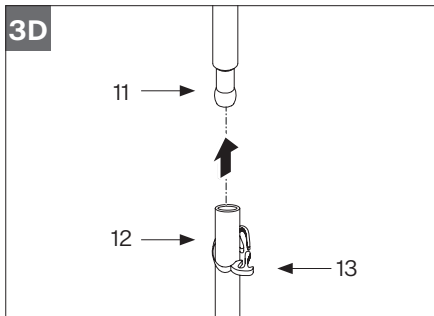
7. For the cold side, connect the 3/8" poly-tube to the 3/8" Push Fitting (fig. 1A, 1B) and connect the other end of the tube to the filtration system as outlined in the filtration system instructions.

**Note:** There should be a service label attached to the water supply pipes from the faucet. Do not remove label.

8. For the hot side, connect the 1/4" poly-tube to the 1/4" Push Fitting (fig. 1A, 1B) and connect the other end of the poly-tube to the heating tank inlet as outlined in the heating tank instructions.



9. Connect the high temp Silicone Tube (12) to the Mounting Nipple (11) and secure the tubing using the Hose Clips (13) (fig. 3D).



10. Connect the other end of the high temp silicone tube to the heating tank outlet as outlined in the heating tank instructions.

**Note:** All tubing provided with the faucet is intended to be longer than will be necessary to make the connections to the heating tank. It is recommended to cut these tubes to the proper length to remove any unnecessary loops or low spots in tubing after installed.

11. Turn on the water and check for leaks.

## Usage and maintenance

---

### Usage

Pull the handle(s) forward to turn on the water supply. Both valves will stay in the 'on' position until rotated back to upright position.

**Note:** The spout has a 360° swivel capability.

**Warning:** Do not operate both handles at the same time, as this can build up pressure in the heating tank causing the bladder to expand and eventually burst. Such damage is not covered by the warranty.

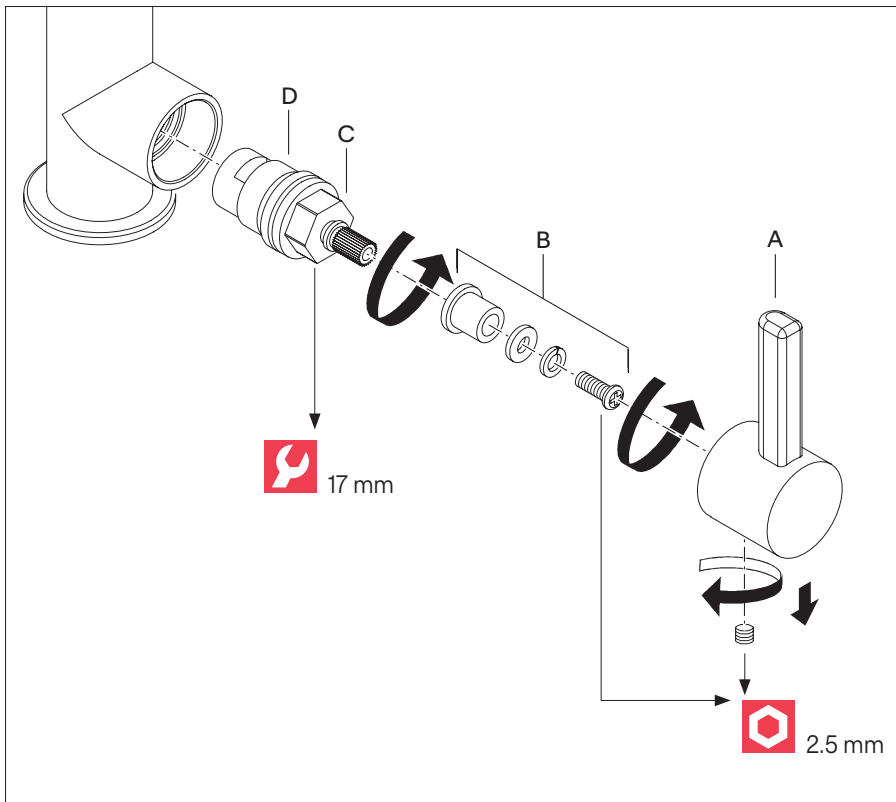
**Seasonal Shutdown:** If you plan to be away from home for extended periods of time, refer to the filtration system and/or heating tank system instructions (if applicable) under the Winterizing or Seasonal Shutdown sections to prevent system failures.

### General maintenance

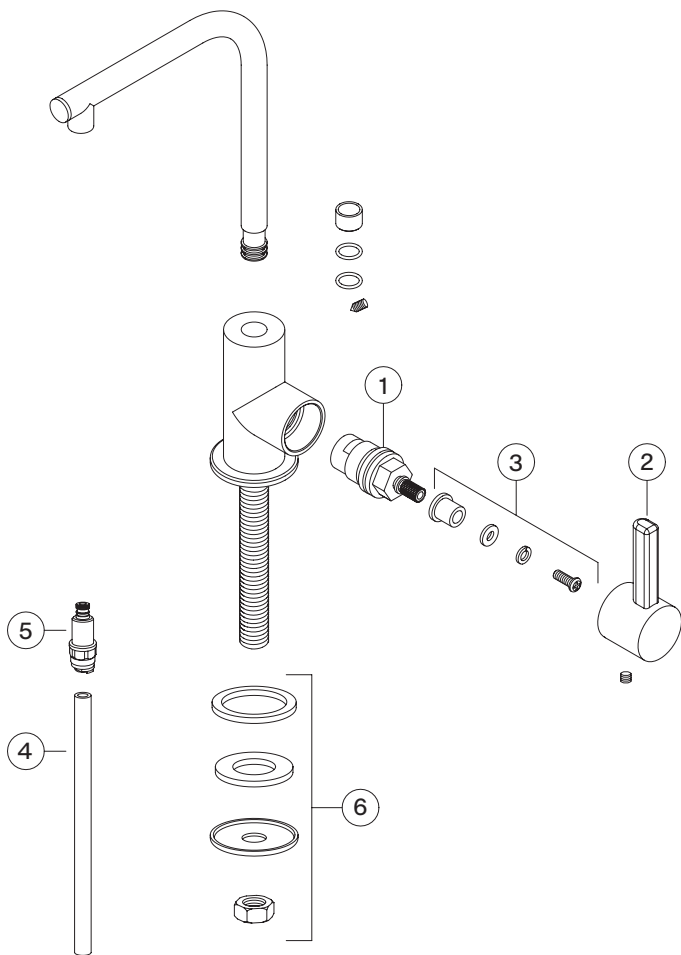
**Do not use** harsh detergents, solvents, chemical agents, especially CHLORINE based cleaners, metallic sponges, etc. that could harm the surface and damage the finish. Clean only with soft sponge and soapy water.

## Replacing the cartridge

1. Shut off the water supply to the faucet.
2. Turn on the faucet briefly to relieve any pressure inside the faucet.
3. Move the faucet handle to the "OFF" position.
4. Remove the set screw from the Handle Assembly (A) using a 2.5 mm Hex Key.
5. Pull the Lever Handle (A) from faucet body.
6. Unscrew the Connector Kit (B) from the cartridge.
7. Unscrew the Cartridge Lock Nut (C).
8. Lift Ceramic Disc Cartridge (D) from the body and replace it with a new one.
9. Re-assemble faucet in reverse order.
10. Test for leakage.



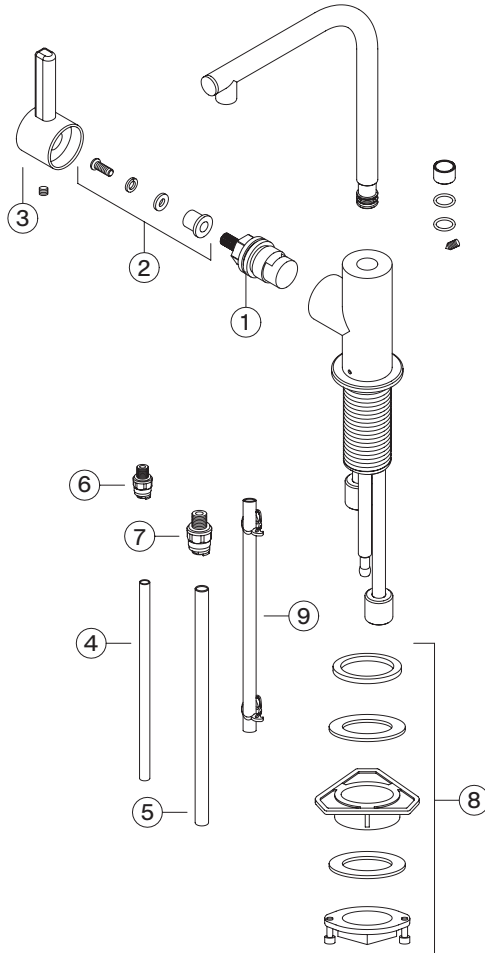
# Spare/replacement list UNL-FW-304



<b>1</b>	F3401	Cold Cartridge
<b>2</b>	F3440	Handle Assembly*
<b>3</b>	F3403	Cartridge Connector Kit
<b>4</b>	10305	3/8" Water Supply Tubing
<b>5</b>	F3439	3/8" Push Fitting Adapter
<b>6</b>	F3407	Fastening Set

\* Must Specify Finish

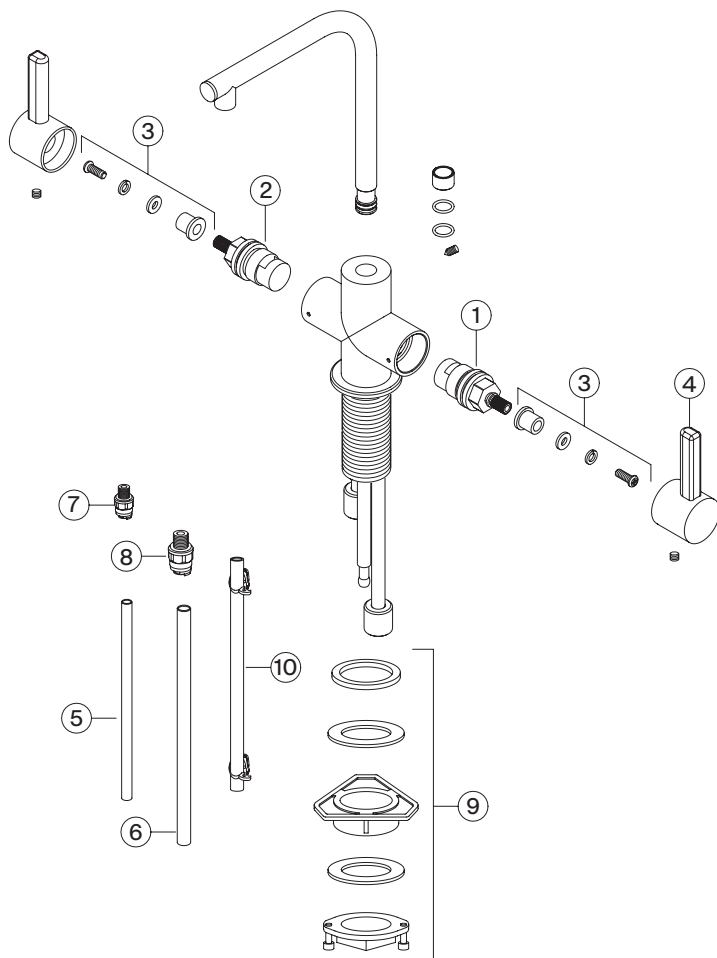
# Spare/replacement list UNL-HO-304



<b>1</b>	F3402	Hot Cartridge	<b>6</b>	F3406	1/4" Push Fitting Adapter
<b>2</b>	F3403	Cartridge Connector Kit	<b>7</b>	F3438	3/8" Push Fitting Adapter
<b>3</b>	F3440	Handle Assembly*	<b>8</b>	F3408	Fastening Set
<b>4</b>	F3405	1/4" Water Supply Tubing	<b>9</b>	F3409	Silicone Tubing Kit
<b>5</b>	10305	3/8" Water Supply Tubing			

\* Must Specify Finish

# Spare/replacement list UNL-HC-304



<b>1</b>	F3401	Cold Cartridge	<b>6</b>	10305	3/8" Water Supply Tubing
<b>2</b>	F3402	Hot Cartridge	<b>7</b>	F3406	1/4" Push Fitting Adapter
<b>3</b>	F3403	Cartridge Connector Kit	<b>8</b>	F3438	3/8" Push Fitting Adapter
<b>4</b>	F3440	Handle Assembly*	<b>9</b>	F3408	Fastening Set
<b>5</b>	F3405	1/4" Water Supply Tubing	<b>10</b>	F3409	Silicone Tubing Kit

\* Must Specify Finish

For any further information about our products, about the installation of them or about the warranty please contact our customer service department:

Franke Kitchen Systems  
800 Aviation Parkway  
Smyrna, TN 37167, USA  
Phone: 1-800-626-5771  
HS-Warranty.US@Franke.com

Franke Kindred Canada Ltd.  
1000 Franke Kindred Way  
Midland, ON LR4 4K9  
Phone: 1-866-687-7465  
HS-Warranty.CA@Franke.com



Warranty website: <https://www.franke.com/us/en/hs/support/warranty.html>



# Índice

---

<b>Información general</b>	16
Contenido de la caja	16
Datos técnicos	17
<b>Instrucciones de instalación</b>	17
Antes de empezar	17
Opciones de instalación de agua caliente:	17
Opciones de instalación de agua fría:	17
Pasos preliminares	18
Instrucciones de instalación UNL-FW-304	19
Instrucciones de instalación UNL-HO-304 / UNL-HC-304	20
<b>Uso y mantenimiento</b>	21
Uso	21
Mantenimiento general	22
Sustitución del cartucho	22
Lista de partes/refacciones UNL-FW-304	23
Lista de partes/refacciones UNL-HO-304	24
Lista de partes/refacciones UNL-HC-304	25

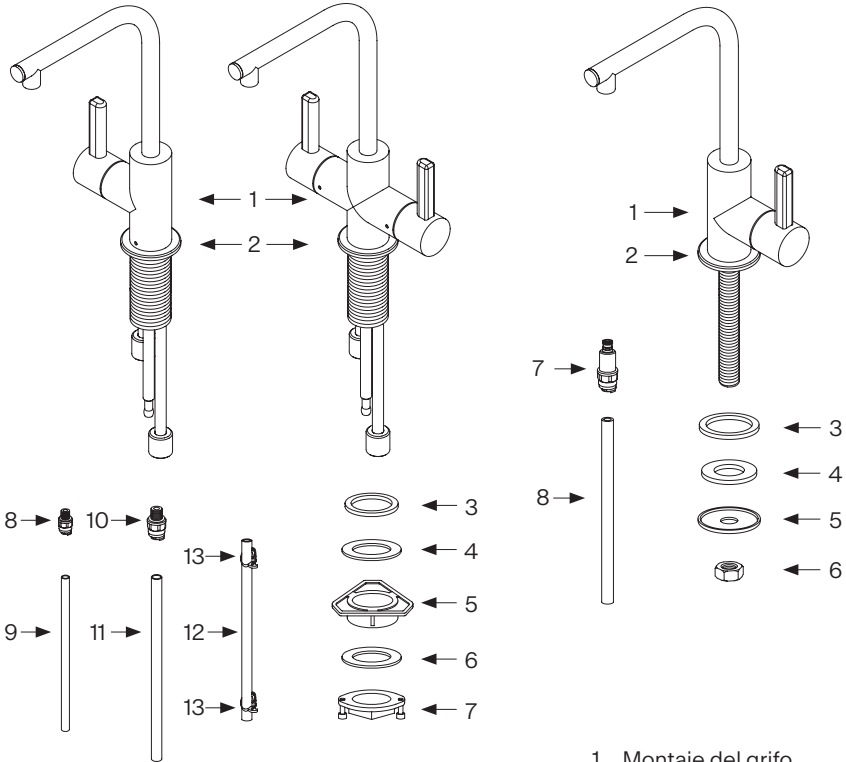
# Información general

## Contenido de la caja

UNL-HO-304

UNL-HC-304

UNL-FW-304



- |                                |                                 |
|--------------------------------|---------------------------------|
| 1. Montaje del grifo           | 7. Tuerca de fijación           |
| 2. Escudo de armas             | 8. Empuje de 1/4" fitting       |
| 3. Arandela de goma del escudo | 9. Tubo de polietileno de 1/4"  |
| 4. Arandela de goma            | 10. Empuje de 3/8" fitting      |
| 5. Brida de plástico           | 11. Tubo de polietileno de 3/8" |
| 6. Placa de fijación           | 12. Tubo de silicona            |
|                                | 13. Abrazaderas de plástico     |

- |                                |
|--------------------------------|
| 1. Montaje del grifo           |
| 2. Escudo de armas             |
| 3. Arandela de goma del escudo |
| 4. Arandela de goma            |
| 5. Placa de prensa             |
| 6. Tuerca de fijación          |
| 7. Empuje de 3/8" fitting      |
| 8. Tubo de polietileno de 3/8" |

**⚠ Nota:** Póngase en contacto con nosotros inmediatamente si detecta inconsistencias.

teléfono: 1- 800-626-5771

internet: [www.franke.com](http://www.franke.com)

correo electrónico: [ks-customerservice.us@franke.com](mailto:ks-customerservice.us@franke.com)



## Datos técnicos

Datos de operación	Valor		
Presión de agua (recomendada)	35-75 PSI	2.4-5 bar	240-500 kPa
Presión del agua (máx. )	145 PSI	10 bar	1000 kPa
Temperatura del agua caliente (recomendada)	120-140°F	50-60°C	
Tamaño del agujero para el grifo	1-1/4"	32 mm	



Certifica que esta llave cumple con ASME A12.18.1 / CSA B125.1, NSF/ANSI/CAN 61-2021: Q<1, NSF 372. La llave también cumple con los requisitos de uso del agua de la Comisión de Energía de California y del Departamento de Energía de los EE. UU.

## Instrucciones de instalación

### Antes de empezar

Para obtener mejores resultados, Franke recomienda que este grifo sea instalado por un plomero profesional con licencia. El instalador debe familiarizarse con la forma en que se instalará esta llave de suministro y funcionar como parte de un arreglo de suministro de agua en el punto de uso **antes** de que se instalen los productos, ya que existen varias opciones de instalación. Asegúrese de observar todos los códigos locales de plomería y construcción durante la instalación.

### Opciones de instalación de agua caliente:

Los dispensadores de la serie **UNL-HO-304** offer sólo agua caliente. Se requiere que estos dispensadores se utilicen junto con una unidad de tanque de calentamiento Franke. El uso de un sistema Franke filtration además del tanque de calefacción es opcional, pero se recomienda encarecidamente para prolongar la vida útil y mejorar el rendimiento del tanque de calor, así

como para proporcionar agua de calidad mucho mayor en comparación con el agua que entra en el tanque sin filtered.

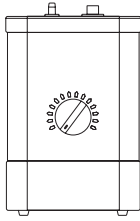
Los dispensadores de las series **UNL-HC-304** offer caliente y filtered agua por separado. Estos dispensadores deben utilizarse junto con una unidad de calefacción Franke y un sistema Franke filtration.

Ces modèles utilisent tous deux 3 tubes pour se connecter au système.

- Un tubo de polietileno de 3/8" para el suministro de agua fría en el grifo de distribución.
- Un tubo de polietileno de 1/4" para llevar el agua de filtered desde el grifo dispensador hasta la unidad del tanque de calefacción.
- Un tubo opaco de silicona de alta temperatura para llevar el agua caliente del tanque de calentamiento al grifo dispensador.

### Opciones de instalación de agua fría:

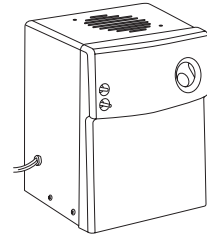
Los dispensadores de las series **UNL-FW-304** proporcionan filtered agua



Tanque de Calentamiento



Sistemas de Filtración



Tanque Refrigerador

potable, así como la opción de agua potable refrigerada. Se requiere que estos dispensadores se usen en conjunto con un sistema Franke filtration. Para el agua potable refrigerada se requiere una unidad de tanque refrigerador Franke. Estos modelos utilizan un tubo de polietileno de 3/8" para suministrar agua de filtered a los grifos.

**Importante:** Franke recomienda encarecidamente que se utilicen únicamente componentes genuinos de Franke en tan-dem con todos los grifos dispensadores de Franke. No se puede garantizar el funcionamiento de los grifos dispensadores si se utilizan productos filtration, tanques de calefacción o accesorios que no sean componentes genuinos de Franke.

## Pasos preliminares

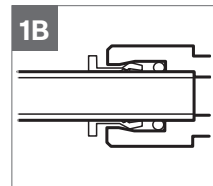
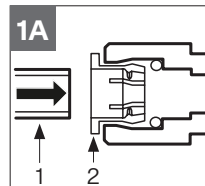
1. Se recomienda tomar los componentes y localizar su posiciones óptimas antes de comenzar la instalación.
2. Asegúrate de que hay suficiente espacio para que las manijas del dispensador se abran completamente sin interferencias.
3. Asegúrese de que todas las conexiones eléctricas y de plomería lleguen a las posiciones de montaje previstas para todos los componentes y que no haya obstrucciones ni curvas pronunciadas en las tuberías.
4. Asegúrese de que la encimera nosea más gruesa de 2".

**Importante:** Para los pasos subsiguientes, se requerirá cortar y encaminar la tubería a fit la aplicación specific en su casa. Todos los tubos deben ser cortados a escuadra y libres de rebabas. Asegúrese de que no haya ningún daño a menos de 1" del extremo cortado.

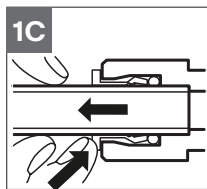
### No utilizan ningún tipo de compuestos de sellado.

Esto no es necesario para las conexiones de empuje fit, y el uso de compuestos sellantes podría causar fugas. Todas las conexiones de los tubos deben ser encaminadas para evitar dobleces agudas y tener suficiente holgura para evitar forzar las conexiones. Tire suavemente de cada conexión para asegurarse de que estén bien sujetas. Véase el diagrama que figura a continuación para obtener detalles sobre la instalación y el retiro de los tubos.

5. Cómo insertar/extraer tubos en las conexiones de ajuste a presión:
  - Inserte el tubo (1) de forma cuadrada (fig. 1A).
  - Asegúrate de insertar los tubos completamente (fig. 1B).



- Para quitarlo, introduzca la pinza (2) y saque el tubo (1) (fig. 1C).

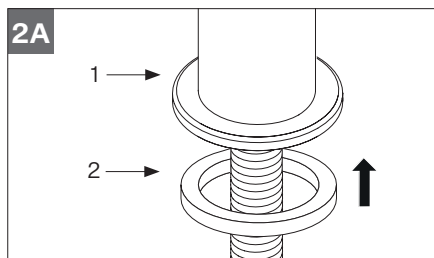


Saque todo el contenido de la caja y compruebe que esté completo.

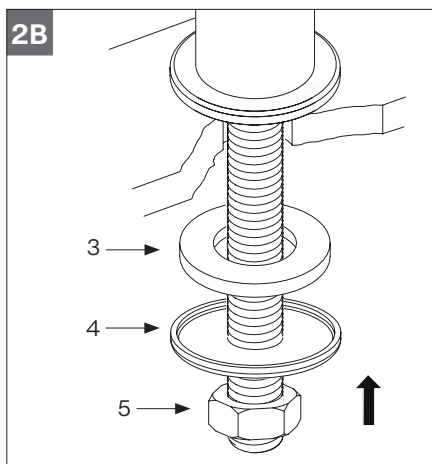
6. Realice una perforación de 1-1/4" de diámetro (32 mm) en la superficie de montaje deseada (si no se encuentra una disponible).
7. Gire off el suministro de agua.

## Instrucciones de instalación UNL-FW-304

1. Retire los accesorios de montaje de la espiga del cuerpo del grifo.
2. Deslice el escudo (1) sobre el mango. Asegúrese de que la arandela de goma (2) está colocada en su asiento en el escudo (fig. 2A).



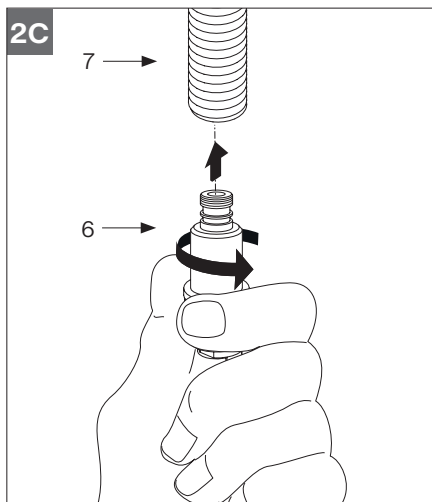
3. Coloque el grifo en el agujero, orientando el caño hacia la cubeta del fregadero con las asas en posición de girar hacia adelante.
4. Instale los accesorios de montaje como se muestra: arandela de goma (3), placa de prensa (4) y tuerca de fijación (5) (fig. 2B).



5. Conecta el suministro de agua fría al grifo:

- Atornille el empuje de 3/8" fitting (6) en el pezón de montaje (7) (fig. 2C).

**Mano ajusta solamente.**



**Advertencia:** El uso de herramientas para apretar este fitting puede conducir a fugas!

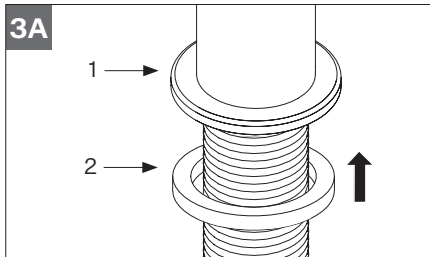
- Inserte el tubo de polietileno de 3/8" en el empuje fitting (fig. 1A, 1B).

**Nota:** Debería haber una etiqueta de servicio pegada al politubo. No retire la etiqueta.

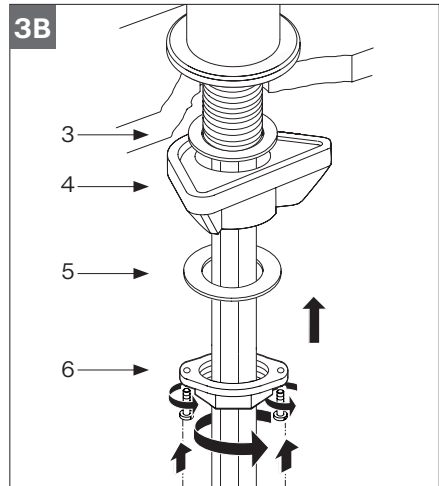
6. Conecte el politubo de 3/8" a la salida del sistema filtration como se indica en las instrucciones del sistema filtration.
7. Abra el agua y compruebe si hay fugas.

## Instrucciones de instalación UNL-HO-304 / UNL-HC-304

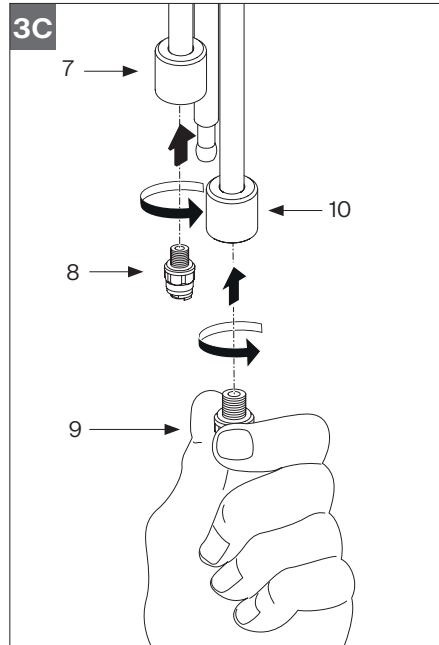
1. Retire los accesorios de montaje de la espiga del cuerpo del grifo.
2. Deslice el escudo (1) sobre el mango. Asegúrese de que la arandela de goma (2) está colocada en su asiento en el escudo (fig. 3A).



3. Coloque el grifo en el agujero, orientando el caño hacia la cubeta del fregadero con las asas en posición de girar hacia adelante.
4. Instale los accesorios de montaje como se muestra en el mango: arandela de goma (3), brida de plástico (4), placa de fijación (5) y tuerca de fijación (6) (fig. 3B).
5. Apriete 2 tornillos en la tuerca de fijación para asegurar la tuerca (fig. 3B).



6. Enroscar el empujador de 1/4" fitting (8) en la entrada de agua caliente (7) y enroscar el empujador de 3/8" fitting (9) en la entrada de agua fría (10) (fig. 3C). **Apretar sólo con la mano!**

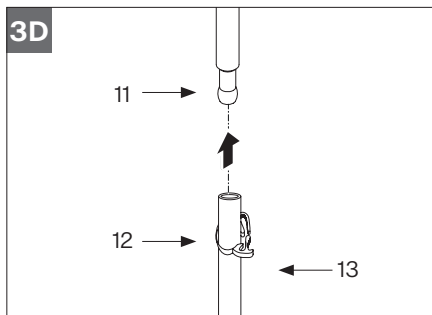


**Advertencia:** El uso de herramientas para apretar este fitting puede conducir a fugas!

- Para el lado frío, conecte el tubo de polietileno no de 3/8" al empujador de 3/8" fitting (fig. 1A, 1B) y conecte el otro extremo del tubo al sistema filtration como se indica en las instrucciones del sistema filtration.

**Nota:** Debe haber una etiqueta de servicio pegada a las tuberías de suministro de agua del grifo - no quite la etiqueta!

- Para el lado caliente, conecte el tubo de polietileno de 1/4" al empujón de 1/4" fitting (fig. 1A, 1B) y conecte el otro extremo del tubo a la entrada del tanque de calentamiento como se indica en las instrucciones del tanque de calentamiento.
- Conecte el tubo de silicona para alta temperatura (12) a la boquilla de montaje (11) y asegure el tubo con las abrazaderas de la manguera (13) (fig. 3D).



- Conecte el otro extremo del tubo de silicona para alta temperatura a la salida del tanque de calentamiento como se indica en las instrucciones del tanque de calentamiento.

**Nota:** Todos los tubos proporcionados con el grifo están pensados para ser más largos de lo necesario para hacer las conexiones al tanque de calentamiento. Se recomienda cortar estos tubos a la longitud adecuada para eliminar cualquier bucle innecesario o puntos bajos en los tubos después de su instalación.

- Abra el agua y compruebe si hay fugas.

## Uso y mantenimiento

### Uso

Tire de la(s) manija(s) hacia adelante para encender el suministro de agua. Ambas válvulas se mantendrán en la posición on hasta que se giren de nuevo a la posición vertical.

**Nota:** El caño tiene una capacidad de giro 360°.

**Advertencia:** No utilice las dos asas al mismo tiempo, ya que puede acumularse

presión en el tanque de calentamiento y hacer que la vejiga se expanda y finalmente reviente. Este tipo de daño no está cubierto por la garantía.

**Apagado Estacional:** Si planea estar fuera de su casa por períodos de tiempo prolonga dos, consulte las instrucciones del sistema filtration y/o del sistema de tanques de calefacción (si corresponde) en las secciones de Invernaje o Apagado Estacional para evitar fallas en el sistema.

## Mantenimiento general

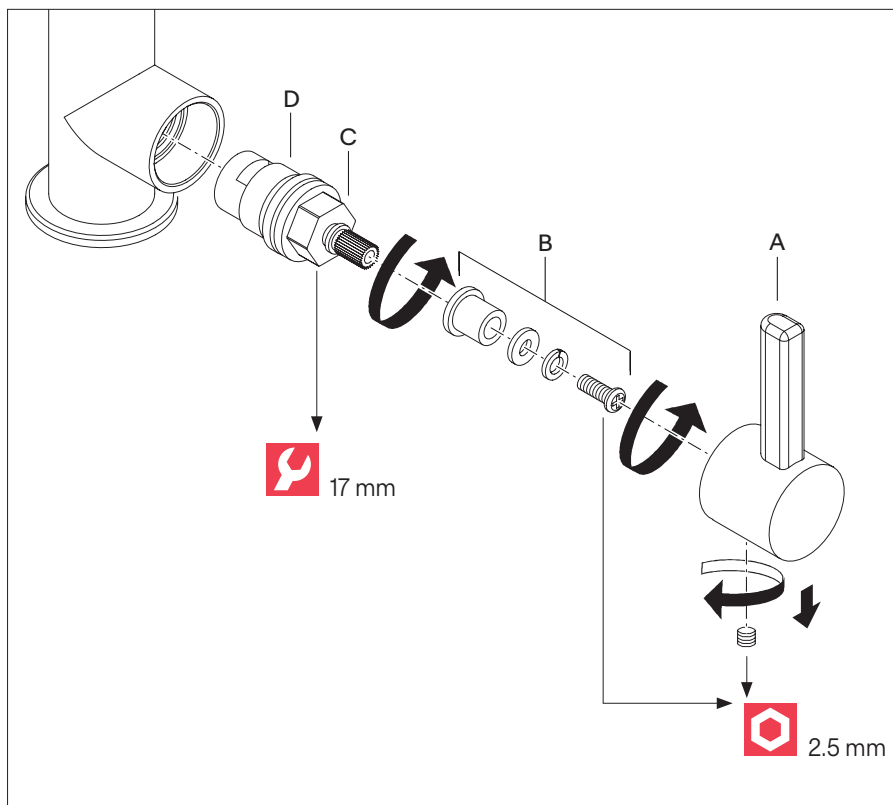
**No utilice** detergentes fuertes, disolventes, agentes químicos, limpiadores especialmente a base de CLORO, esponjas metálicas, etc. que puedan dañar la superficie y dañar el finish.

Limpie sólo con una esponja suave y agua jabonosa.

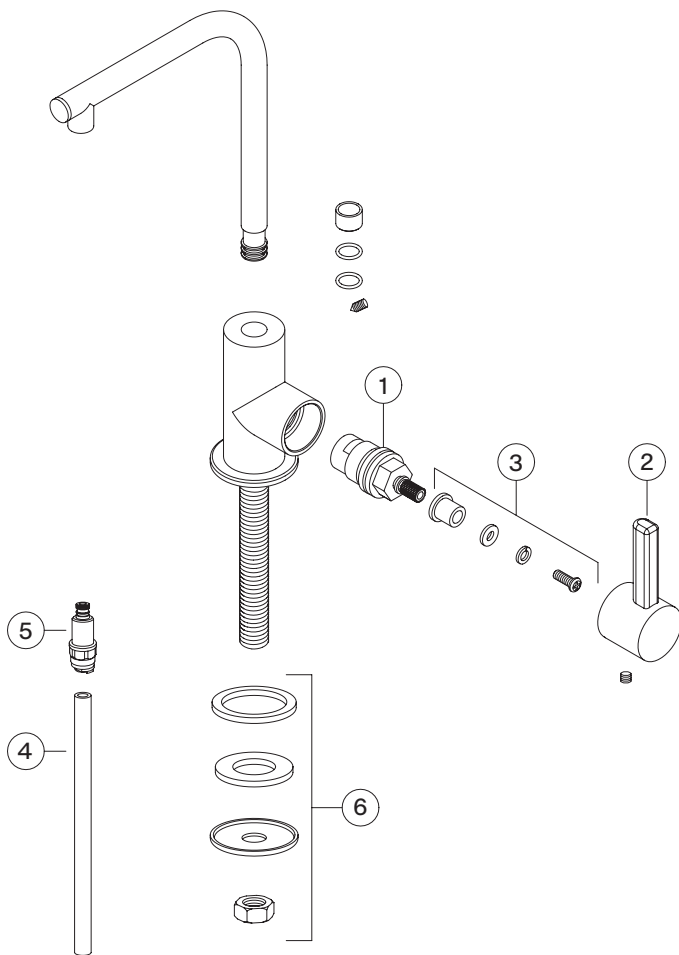
## Sustitución del cartucho

1. Interrumpa el suministro de agua a la llave.
2. Abra momentáneamente la llave para liberar cualquier presión residual en el interior de la llave.

3. Gire la palanca de la llave a la posición de „CERRADO”.
4. Remueva el tornillo de ajuste del conjunto de la palanca (A) con una llave hexagonal de 2,5 mm.
5. Hale la palanca (A) desde el cuerpo de la llave.
6. Desenrosque el kit del conector del cartucho (B).
7. Desenrosque la tuerca de fijación del cartucho (C).
8. Extraiga el cartucho de disco cerámico (D) del cuerpo y sustitúyalo por uno nuevo.
9. Vuelva a ensamblar la llave siguiendo los mismos pasos en orden inverso.
10. Compruebe que no haya fugas.



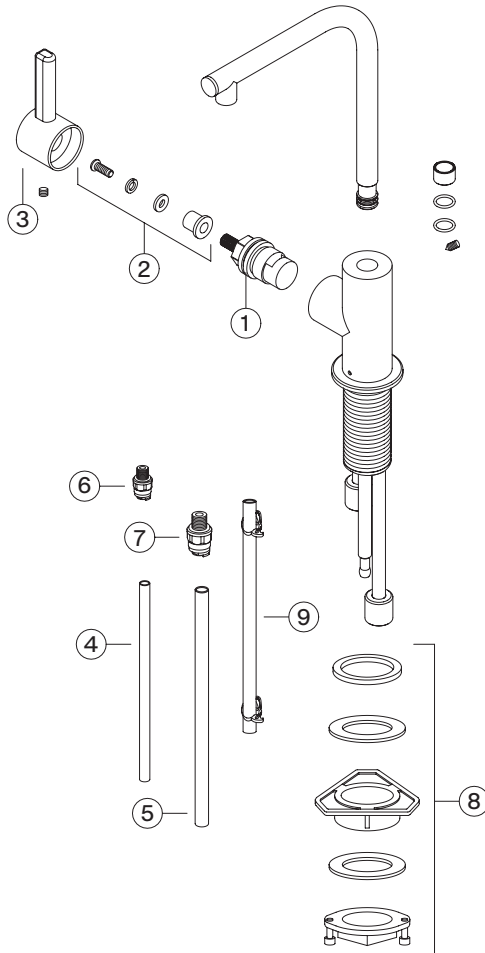
# Lista de partes/refacciones UNL-FW-304



<b>1</b>	F3401	Cartucho de Frío
<b>2</b>	F3440	Ensamblaje de la Manija*
<b>3</b>	F3403	Kit de Conexión de Cartuchos
<b>4</b>	10305	3/8" Tubo de Suministro de Agua
<b>5</b>	F3439	Adaptador de Empuje de 3/8"
<b>6</b>	F3407	Set de Sujeción

\* Debe especificar el acabado

## Lista de partes/refacciones UNL-HO-304

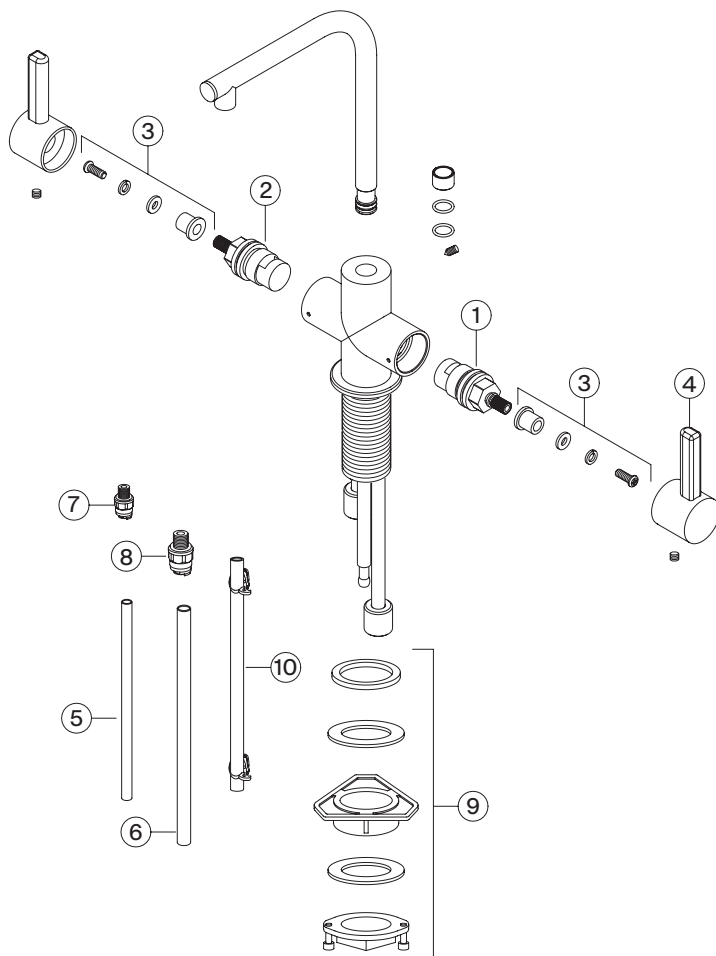


<b>1</b>	F3402	Cartucho Caliente	<b>6</b>	F3406	Adaptador de Empuje de 1/4"
<b>2</b>	F3403	Kit de Conexión de Cartuchos	<b>7</b>	F3438	Adaptador de Empuje de 3/8"
<b>3</b>	F3440	Ensamblaje de la Manija*	<b>8</b>	F3408	Set de Sujeción
<b>4</b>	F3405	1/4" Tubo de Suministro de Agua	<b>9</b>	F3409	Kit de tubos de Silicona
<b>5</b>	10305	3/8" Tubo de Suministro de Agua			

\* Debe especificar el acabado



# Lista de partes/refacciones UNL-HC-304



<b>1</b>	F3401	Cartucho de Frío	<b>6</b>	10305	3/8" Tubo de Suministro de Agua
<b>2</b>	F3402	Cartucho Caliente	<b>7</b>	F3406	Adaptador de Empuje de 1/4"
<b>3</b>	F3403	Kit de Conexión de Cartuchos	<b>8</b>	F3438	Adaptador de Empuje de 3/8"
<b>4</b>	F3440	Ensamblaje de la Manija*	<b>9</b>	F3408	Set de Sujeción
<b>5</b>	F3405	1/4" Tubo de Suministro de Agua	<b>10</b>	F3409	Kit de tubos de Silicona

\* Debe especificar el acabado

Para cualquier información adicional acerca de nuestros productos, acerca de la instalación o de la garantía, póngase en contacto con nuestro departamento de servicio al cliente:

Franke Home Solutions  
North America, LLC  
800 Aviation Parkway  
Smyrna, TN 37167, USA  
Teléfono: 1-800-626-5771  
HS-Warranty.US@Franke.com

Franke Kindred Canada Ltd.  
1000 Franke Kindred Way  
Midland, ON LR4 4K9  
Phone: 1-866-687-7465  
HS-Warranty.CA@Franke.com



Sitio web de garantía: <https://www.franke.com/us/en/hs/support/warranty.html>



# Table des matières

---

<b>Vue d'ensemble</b>	28
Contenu de l'emballage	28
Caractéristiques techniques	29
<b>Instructions d'installation</b>	29
Avant de commencer	29
Les possibilités d'installation d'eau chaude	29
Les possibilités d'installation d'eau froide	30
Étapes préliminaires	30
Instructions d'installation UNL-FW-304	31
Instructions d'installation UNL-HO-304 / UNL-HC-304	32
<b>Usage et entretien</b>	33
Usage	33
Entretien général	33
Remplacement de la cartouche	34
Liste des pièces de rechange/de remplacement UNL-FW-304	35
Liste des pièces de rechange/de remplacement UNL-HO-304	36
Liste des pièces de rechange/de remplacement UNL-HC-304	37

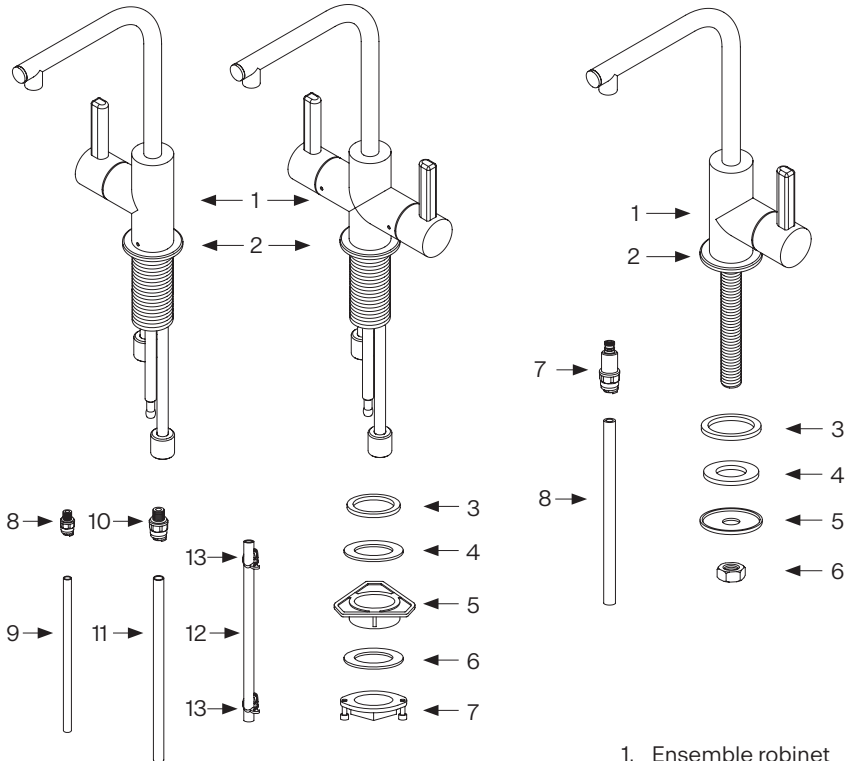
# Vue d'ensemble

## Contenu de l'emballage

UNL-HO-304

UNL-HC-304

UNL-FW-304



1. Ensemble robinet

2. Écusson

3. Rondelle en caoutchouc de l'écusson

4. Rondelle en caoutchouc

5. Bride plastique

6. Plaque de fixation

7. Écrou de serrage

8. Raccord à pousser 1/4"

9. Poly-tube de 1/4"

10. Raccord à pousser 3/8"

11. Poly-tube de 3/8"

12. Tube de silicone

13. Pincés en plastique

1. Ensemble robinet

2. Écusson

3. Rondelle en caoutchouc de l'écusson

4. Rondelle en caoutchouc

5. Plaque de presse

6. Écrou de serrage

7. Raccord à pousser 3/8"

8. Poly-tube de 3/8"

**⚠ Remarque :** Veuillez nous contacter immédiatement en cas d'incohérences.

Téléphone : 1 - 800-626-5771

Site Web : [www.franke.com](http://www.franke.com)

Courriel : [ks-customerservice.us@franke.com](mailto:ks-customerservice.us@franke.com)

## Caractéristiques techniques

Caractéristiques d'exploitation	Valeur		
Pression d'eau (recommandée)	35-75 PSI	2,4-5 bar	240-500 kPa
Pression d'eau (max.)	145 PSI	10 bar	1000 kPa
Température d'eau chaude (recommandée)	120-140°F	50-60°C	
Taille du trou de robinet	1-1/4"	32 mm	



Atteste que ce robinet est conforme aux normes ASME A112.18.1 / CSA B125.1, NSF/ANSI/CAN 61-2021: Q<1, NSF 372. Le robinet est également conforme aux exigences d'utilisation de l'eau définies par la Commission de l'énergie de Californie et le Département américain de l'Énergie.

## Instructions d'installation

### Avant de commencer

Pour de meilleurs résultats, Franke recommande que ce robinet soit installé par un plombier professionnel agréé. L'installateur doit se familiariser avec la façon dont ce robinet sera installé et fonctionnera dans le cadre d'un dispositif de distribution d'eau au point d'utilisation **avant** que les produits ne soient installés, car il existe plusieurs options d'installation. Veillez à respecter tous les codes locaux de plomberie et de construction lors de l'installation.

### Les possibilités d'installation d'eau chaude

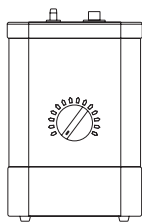
Les distributeurs des séries **UNL-HO-304** offer eau chaude uniquement. Ces distributeurs doivent être utilisés en combinaison avec un réservoir de chauffage Franke. L'utilisation d'un système Franke filtration en plus du réservoir de chauffage est facultative, mais fortement recommandée afin de prolonger la durée de vie et d'améliorer les performances du réservoir de chauffage, ainsi que de

fournir une eau de bien meilleure qualité que l'eau qui entre dans le réservoir sous filtered.

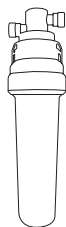
Les distributeurs des séries **UNL-HC-304** offer eau chaude et filtered eau séparément. Ces distributeurs doivent être utilisés en combinaison avec un appareil de chauffage Franke et un système.

Ces modèles utilisent tous deux 3 tubes pour se connecter au système.

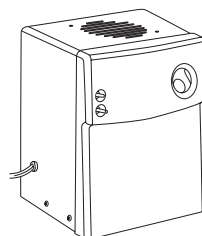
- Un tube polyvalent de 3/8" pour l'alimentation en eau froide du robinet de distribution.
- Un tube polyvalent de 1/4" pour transporter l'eau de filtered du robinet de distribution au réservoir de chauffage.
- Un tuyau en silicone opaque à haute température pour transporter l'eau chauffée du réservoir de chauffage vers le robinet de distribution.



Réervoir de chauffage



Systèmes de filtration



Réervoir d'eau glacée

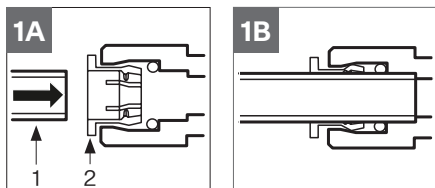
## Les possibilités d'installation d'eau froide

Les distributeurs des séries **UNL-FW-304** fournissent de l'eau potable filtered ainsi que la possibilité d'eau potable réfrigérée. Ces distributeurs doivent être utilisés en combinaison avec un système Franke filtration. Pour l'eau potable réfrigérée, une unité de réservoir de refroidissement Franke est nécessaire. Ces modèles utilisent un tube polyvalent de 3/8" pour alimenter les robinets en eau de filtered.

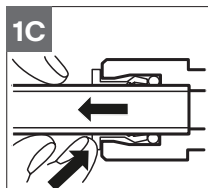
**Important :** Franke recommande vivement de n'utiliser que des composants Franke d'origine dans les tan-dem avec tous les robinets distributeurs Franke. Le fonctionnement des robinets de distribution ne peut être garanti en cas d'utilisation de produits filtration, de réservoirs de chauffage ou d'accessoires autres que des composants Franke d'origine.

## Étapes préliminaires

1. Il est recommandé de prendre les composants et de localiser leur positions optimales avant de commencer l'installation.
  2. Assurez-vous qu'il y a un espace suffisant pour que la ou les poignées du distributeur s'ouvrent complètement sans interférence.
  3. Assurez-vous que toutes les connexions de plomberie et électriques atteindront les positions de montage prévues pour tous les composants et qu'il n'y aura pas d'obstruction ou de coudes brusques dans la plomberie.
  4. Assurez-vous que l'épaisseur du comptoir ne dépasse pas 2".
- Important :** Pour les étapes suivantes, il sera nécessaire de couper et d'acheminer les tubes vers fit l'application spécifique à votre domicile. Tous les tubes doivent être coupés à angle droit et exempts de bavures. Assurez-vous qu'il n'y a aucun dommage à moins de 1" de l'extrémité coupée.
- N'utilisent aucune forme de mastic d'étanchéité.** Cela n'est pas nécessaire pour les connexions „push fit”, et l'utilisation de mastics d'étanchéité pourrait provoquer des fuites. Tous les raccords de tuyaux doivent être acheminés de manière à éviter les coudes brusques et avoir suffisamment de jeu pour éviter de forcer les raccords. Tirez doucement sur chaque connexion pour vous assurer qu'elles sont bien fixées. Voir le schéma ci-dessous pour plus de détails sur l'installation et le retrait des tuyaux.
5. Comment insérer/retirer les tubes dans les raccords à emboîtement:
    - Insérez le tube (1) carrément (fig. 1A).
    - Veillez à insérer complètement le tube (fig. 1B).



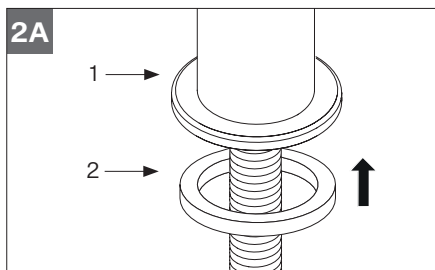
- Pour l'enlever, enfoncez la pince de serrage (2) et retirez le tube (1) (fig. 1C).



- Sortir tous les éléments de l'emballage et en vérifier l'intégralité.
- Percez un trou de montage de 32 mm de diamètre dans la position souhaitée (s'il n'y en a pas).
- Couper l'alimentation en eau.

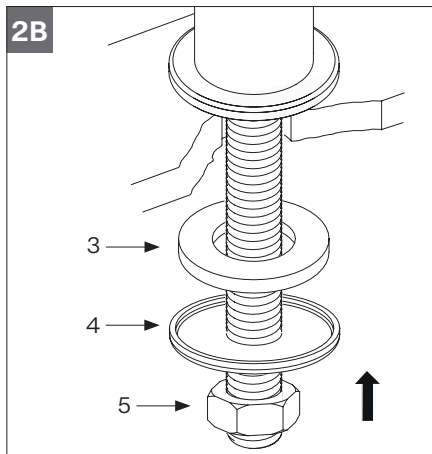
## Instructions d'installation UNL-FW-304

- Retirer les pièces de fixation de la tige du corps du robinet.
- Faites glisser l'écusson (1) sur la tige. Assurez-vous que la rondelle en caoutchouc (2) est bien positionnée dans son siège dans la plaque (fig. 2A).



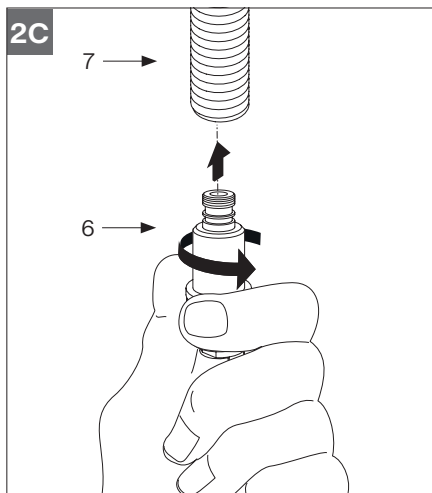
- Placez le robinet dans le trou, en orientant le bec vers la cuvette de l'évier avec les poignées en position pour tourner vers l'avant.

- Installer le matériel de montage comme indiqué : rondelle en caoutchouc (3), plaque de presse (4) et écrou de serrage (5) (fig. 2B).



- Raccordez l'alimentation en eau froide au robinet:

- Visser 3/8" pousser fitting (6) dans le raccord de montage (7) (fig. 2C), **en serrant à la main seulement.**



**Avvertissement :** L'utilisation d'outils pour serrer ce raccord peut entraîner des fuites!

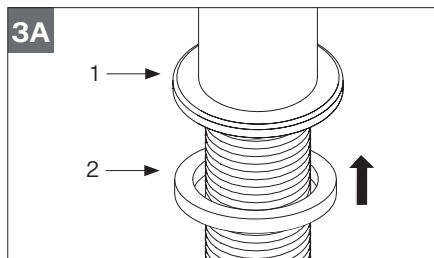
- Insérez le poly-tube de 3/8" dans le raccord à pousser (fig. 1A, 1B).

**Note :** Une étiquette de service doit être apposée sur le poly-tube. **Ne pas enlever l'étiquette.**

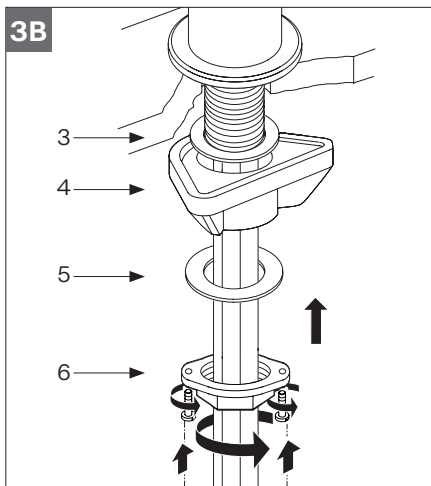
6. Branchez le poly-tube 3/8" à la sortie du système de filtration comme indiqué dans les instructions du système de filtration.
7. Ouvrez l'eau et vérifiez s'il y a des fuites.

## Instructions d'installation UNL-HO-304 / UNL-HC-304

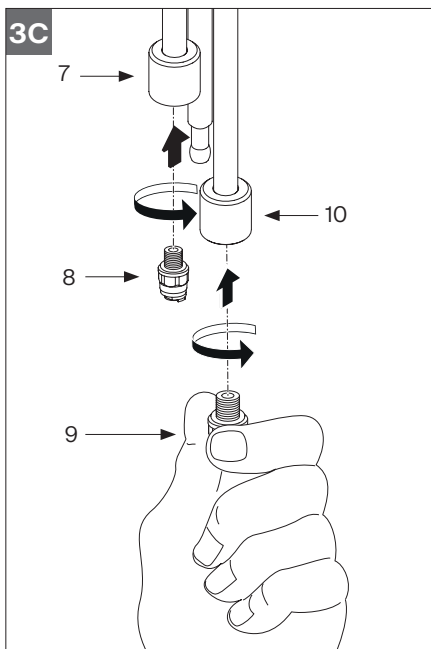
1. Retirer les pièces de fixation de la tige du corps du robinet.
2. Faites glisser l'écusson (1) sur la tige. Assurez-vous que la rondelle en caoutchouc (2) est bien positionnée dans son siège dans la plaque (fig. 3A).



3. Placez le robinet dans le trou, en orientant le bec vers la cuvette de l'évier avec les poignées en position pour tourner vers l'avant.
4. Installez le matériel de montage comme indiqué sur la tige : rondelle en caoutchouc (3), bride plastique (4), plaque de fixation (5) et écrou de serrage (6) (fig. 3B).
5. Serrez 2 vis dans l'écrou de serrage (6) pour fixer l'écrou (fig. 3B).



6. Vissez le poussoir 1/4" fitting (8) dans l'entrée d'eau chaude (7) et vissez le poussoir 3/8" fitting (9) dans l'entrée d'eau froide (10) (fig. 3C). **Serrer à la main seulement !**



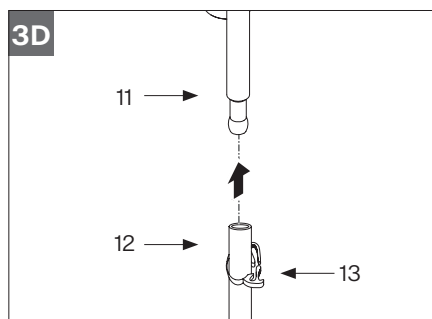


**Avertissement :** L'utilisation d'outils pour serrer ce raccord peut entraîner des fuites!

7. Pour le côté froid, connectez le tube poly de 3/8" à l'adaptateur de 3/8" fitting (fig. 1A, 1B) et connectez l'autre extrémité du tube au système filtration comme indiqué dans les instructions du système filtration.

**Note :** Une étiquette de service doit être apposée sur les tuyaux d'alimentation en eau du robinet. **N'enlevez pas l'étiquette !**

8. Pour le côté chaud, raccordez le tube poly de 1/4" à l'adaptateur de 1/4" fitting (fig. 1A, 1B) et raccordez l'autre extrémité du tube à l'entrée du réservoir de chauffage comme indiqué dans les instructions du réservoir de chauffage.
9. Connectez ensuite le tuyau en silicone haute température (12) au raccord de montage (11) et fixez le tuyau à l'aide des colliers de serrage (13) (fig. 3D).



10. Raccordez l'autre extrémité du tuyau en silicone haute température à la sortie du réservoir de chauffage comme indiqué dans les instructions du réservoir de chauffage.

**Note :** Tous les tuyaux fournis avec le robinet sont prévus pour être plus longs que ce qui est nécessaire pour effectuer les raccordements au réservoir de chauffage. Il est recommandé de couper ces tubes à la bonne longueur pour éliminer toute boucle inutile ou tout point bas dans les tubes après leur installation.

11. Ouvrez l'eau et vérifiez s'il y a des fuites.

## Usage et entretien

### Usage

Tirez la ou les poignées vers l'avant pour ouvrir l'alimentation en eau. Les deux valves resteront en position « ON » jusqu'à ce qu'elles soient remises en position verticale.

**Note :** Le bec a une capacité de pivotement 360°.

**Avertissement :** N'actionnez pas les deux poignées en même temps, car cela peut créer une pression dans le réservoir de chauffage et provoquer l'expansion de la vessie qui finira par éclater. De tels

dommages ne sont pas couverts par la garantie.

**Arrêt Saisonnier :** Si vous prévoyez de vous éloigner de chez vous pendant de longues périodes, reportez-vous aux instructions du système de filtration et / ou du système de réservoir de chauffage (le cas échéant) dans les sections Hivernage ou Arrêt Saisonnier pour éviter les pannes du système.

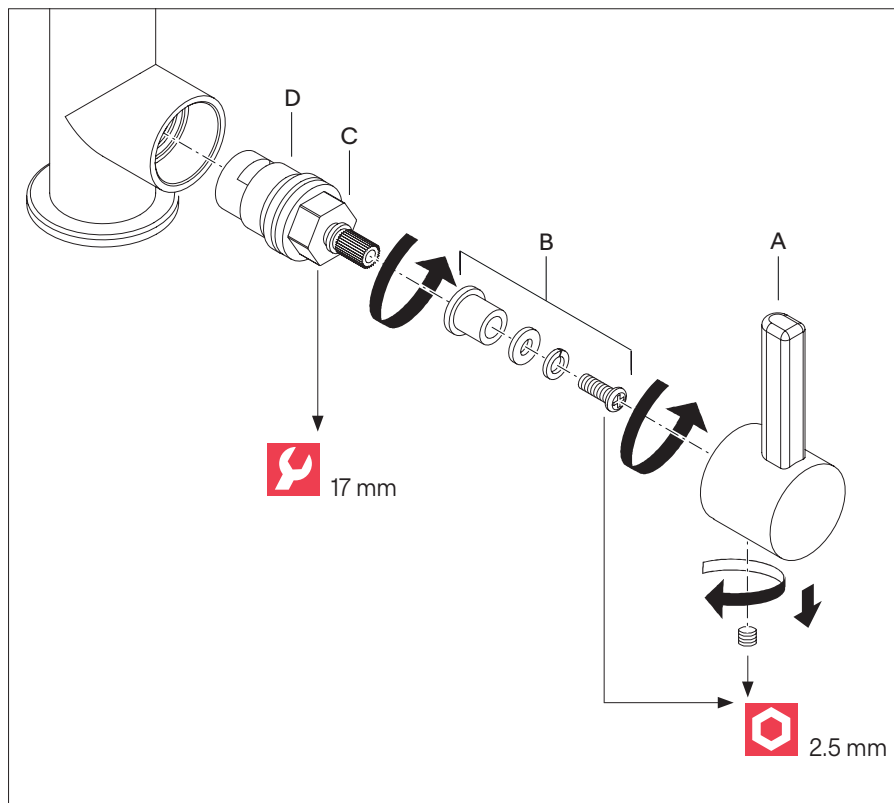
### Entretien général

**N'utilisez** pas de détergents agressifs, de solvants, d'agents chimiques, en

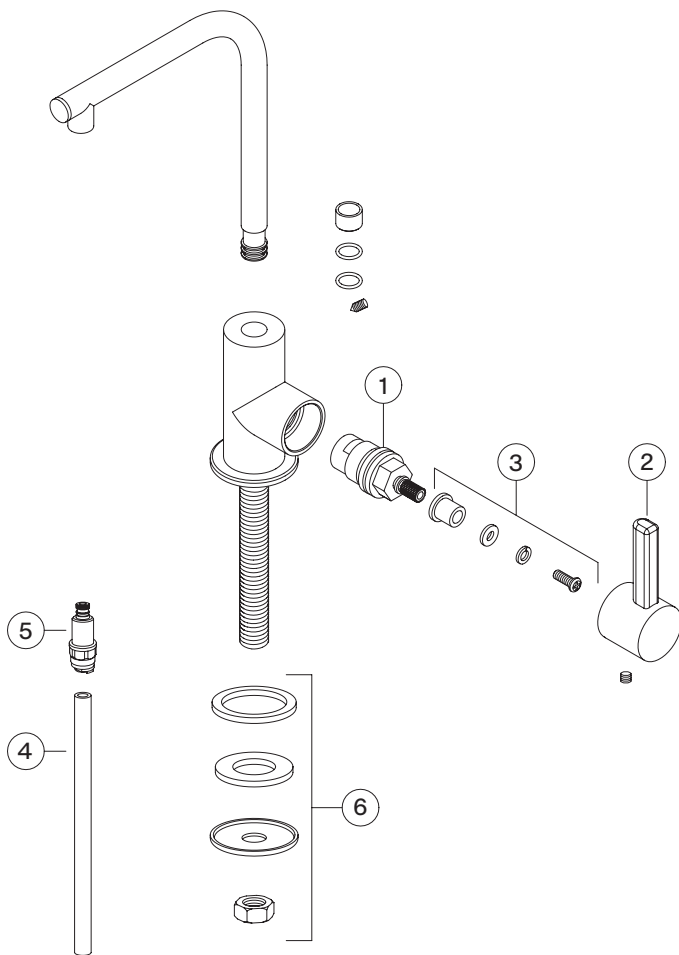
particulier de nettoyeurs à base de CHLORE, d'éponges métalliques, etc. qui pourraient endommager la surface et endommager la finition. Nettoyez uniquement avec une éponge douce et de l'eau savonneuse.

## Remplacement de la cartouche

1. Couper l'alimentation d'eau vers le robinet.
2. Ouvrir brièvement le robinet pour éliminer la pression à l'intérieur.
3. Placer la poignée du robinet en position « OFF ».
4. Démontre la vis de pression de l'ensemble poignée (A) à l'aide d'une clé Allen de 2,5 mm.
5. Soulever la poignée (A) du corps du robinet.
6. Dévisser le kit connecteur (B) de la cartouche.
7. Dévisser l'écrou de blocage de cartouche (C).
8. Soulever la cartouche à disque céramique (D) du corps et la remplacer par une pièce neuve.
9. Remonter le robinet en procédant dans l'ordre inverse.
10. Vérifier l'absence de fuites.



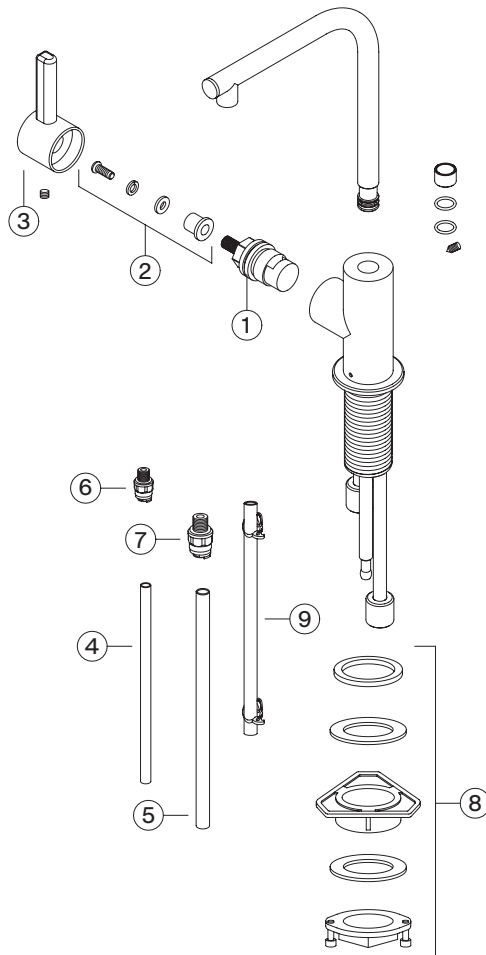
# Liste des pièces de rechange/de remplacement UNL-FW-304



<b>1</b>	F3401	Froid Cartouche
<b>2</b>	F3440	Assemblage des poignées*
<b>3</b>	F3403	Cartouche Connecteur Kit
<b>4</b>	10305	Tuyau d'alimentation en eau 3/8"
<b>5</b>	F3439	3/8" Adaptateur à emboîtement
<b>6</b>	F3407	Ensemble de fixation

\* Doit préciser la finition

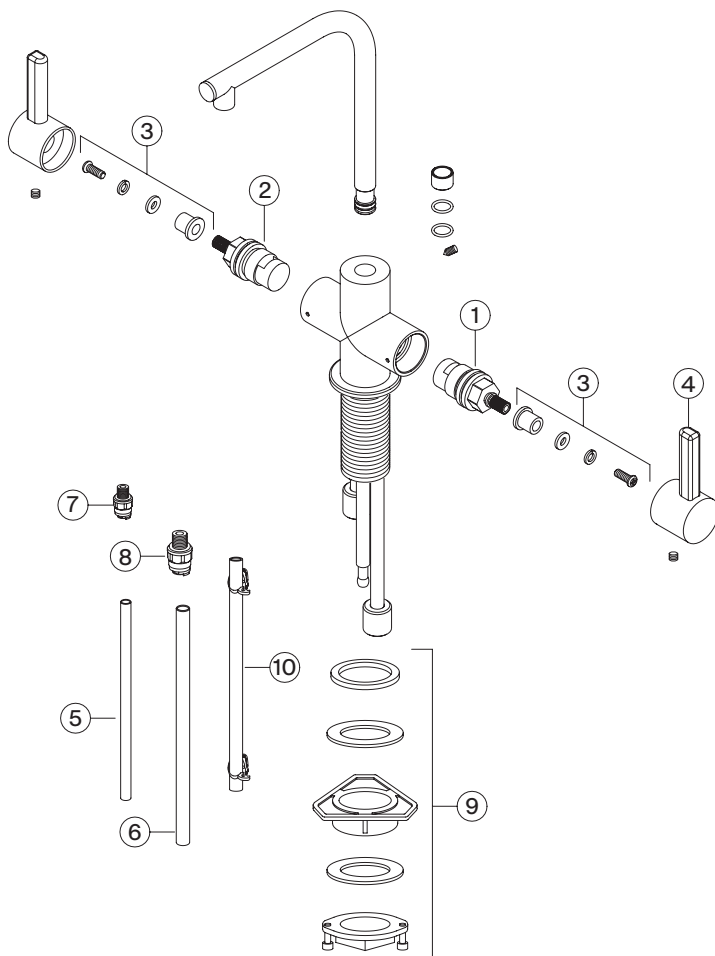
## Liste des pièces de rechange/de remplacement UNL-HO-304



<b>1</b>	F3402	Chaud Cartouche	<b>6</b>	F3406	1/4" Adaptateur à emboîtement
<b>2</b>	F3403	Cartouche Connecteur Kit	<b>7</b>	F3438	3/8" Adaptateur à emboîtement
<b>3</b>	F3440	Assemblage des poignées*	<b>8</b>	F3408	Ensemble de fixation
<b>4</b>	F3405	Tuyau d'alimentation en eau 1/4"	<b>9</b>	F3409	Kit de tuyaux en silicone
<b>5</b>	10305	Tuyau d'alimentation en eau 3/8"			

\* Doit préciser la finition

# Liste des pièces de rechange/de remplacement UNL-HC-304



<b>1</b>	F3401	Froid Cartouche	<b>6</b>	10305	Tuyau d'alimentation en eau 3/8"
<b>2</b>	F3402	Chaud Cartouche	<b>7</b>	F3406	1/4" Adaptateur à emboîtement
<b>3</b>	F3403	Cartouche Connecteur Kit	<b>8</b>	F3438	3/8" Adaptateur à emboîtement
<b>4</b>	F3440	Assemblage des poignées*	<b>9</b>	F3408	Ensemble de fixation
<b>5</b>	F3405	Tuyau d'alimentation en eau 1/4"	<b>10</b>	F3409	Kit de tuyaux en silicone

\* Doit préciser la finition

Pour de plus amples informations sur nos produits, leur installation et la garantie, veuillez contacter notre service clients :

Franke Kitchen Systems  
North America, LLC  
800 Aviation Parkway  
Smyrna, TN 37167, USA  
Téléphone: 1-800-626-5771  
HS-Warranty.US@Franke.com

Franke Kindred Canada Ltd.  
1000 Franke Kindred Way  
Midland, ON LR4 4K9  
Téléphone: 1-866-687-7465  
HS-Warranty.CA@Franke.com



Site Web de la garantie : <https://www.franke.com/us/en/hs/support/warranty.html>





**Canada**

Franke Kindred Canada Ltd.  
1000 Franke Kindred Way  
Midland, ON LR4 4K9  
Phone: 1-866-687-7465

**USA and Mexico**

Franke Home Solutions North America, LLC  
800 Aviation Parkway  
Smyrna, TN 37167, USA  
Phone: 1-800-626-5771