

CHS183-243 Heat Pump Condensing Units with R-410A Refrigerant

Installation, Start-Up and Service Instructions

CONTENTS

	Page
SAFETY CONSIDERATIONS	2
GENERAL	2
Rated Indoor Airflow (cfm)	2
INSTALLATION GUIDELINE	2
Replacement /Retrofit — R-22 to R-410A Refrigerant	2
• ACID TEST	
• INSTALLATION	
INSTALLATION	9
Jobsite Survey	9
Step 1 — Plan for Unit Location	9
Step 2 — Complete Pre-Installation Checks ..	9
• CHECK UNIT ELECTRIC CHARACTERISTIC	
• UN-CRATE UNIT	
• INSPECT SHIPMENT	
• CONSIDER SYSTEM REQUIREMENTS	
Step 3 — Prepare Unit Mounting Support	9
• SLAB MOUNT	
Step 4 — Rig and Mount the Unit	9
• RIGGING	
Step 5 — Complete Refrigerant Piping Connections	9
• CHECK VERTICAL SEPARATION	
• PROVIDE SAFETY RELIEF	
• REFRIGERANT LINE SIZING	
• INSTALL FILTER DRIERS AND MOISTURE INDICATORS	
• INSTALL LIQUID LINE SOLENOID VALVES	
• CAPACITY CONTROL LIQUID LINE SOLENOID VALVE	
• MAKE PIPING CONNECTIONS	
• EVACUATION/DEHYDRATION	
• PRELIMINARY CHARGE	
Step 6 — Install Accessories	12
Step 7 — Complete Electrical Connections ..	12
• FIELD POWER SUPPLY	
• UNITS WITHOUT FACTORY-INSTALLED DISCONNECT	
• UNITS WITH FACTORY-INSTALLED DISCONNECT	
• ALL UNITS	
• VOLTAGE AND CURRENT BALANCE	
Convenience Outlets	13
Installing Weatherproof Cover	14
• ALL UNITS	
• FIELD CONTROL WIRING	
• THERMOSTAT	
PRE-START-UP	17
System Check	17
Turn On Crankcase Heater	17
Preliminary Charge	17
START-UP	17
CHS Units	17
• PRELIMINARY CHECKS	
• COMPRESSOR ROTATION	
• COMPRESSOR OVERLOAD	
• ADVANCED SCROLL TEMPERATURE PROTECTION (ASTP)	
• START UNIT	
• ADJUST REFRIGERANT CHARGE	
• FINAL CHECKS	
OPERATING SEQUENCE	20
Base Unit Controls	20
• INDOOR (SUPPLY) FAN	
• COOLING, UNIT WITHOUT ECONOMIZER	
• COOLING, UNIT WITH ECONOMIZER	
• HEATING	
• DEFROST CYCLE	
• SUPPLEMENTAL HEAT/EMERGENCY HEAT	
• COOLING AND HEATING SHUTDOWN	
• FAN CYCLING	
MAINTENANCE	21
Quarterly Inspection (and 30 days after initial start)	21
• INDOOR SECTION	
Seasonal Maintenance	21
• AIR CONDITIONING	
ROUTINE SYSTEM MAINTENANCE	22
Quarterly Inspection (and 30 days after initial start)	22
• INDOOR SECTION	
• OUTDOOR SECTION	
• ECONOMIZER OR OUTSIDE AIR DAMPER	
SERVICE	22
Refrigeration System	22
• COMPRESSOR OIL	
• SERVICING SYSTEMS ON ROOFS WITH SYNTHETIC MATERIALS	
• LIQUID LINE FILTER DRIER	
• FIELD REFRIGERANT ACCESS PORTS	
• OUTDOOR COIL METERING DEVICES	
• REFRIGERANT SYSTEM PRESSURE ACCESS PORTS	
Compressor Protection	24
• COMPRESSOR OVERCURRENT	
• COMPRESSOR OVERTEMPERATURE PROTECTION (IP)	
• CRANKCASE HEATER	
• HIGH PRESSURE SWITCH	
• LOSS OF CHARGE SWITCH	
• OUTDOOR FAN MOTOR PROTECTION	
• CONTROL CIRCUIT, 24-V	
Commercial Defrost Control	25
• REVERSING VALVE CONTROL	

- COMPRESSOR CONTROL
- DEFROST
- DEFROST THERMOSTATS
- INDOOR FAN OFF DELAY
- DEFROST SPEEDUP FUNCTIONS

Comfort Alert Diagnostic Module 28

Outdoor Fans 30

Lubrication 30

- FAN MOTORS
- COMPRESSOR

Outdoor Coil Maintenance and Cleaning Recommendation 30

- REMOVE SURFACE LOADED FIBERS
- PERIODIC CLEAN WATER RINSE
- ROUTINE CLEANING OF INDOOR COIL SURFACES

FASTENER TORQUE VALUES 32

TROUBLESHOOTING 33

APPENDIX A — AIR CONDITIONER AND HEAT PUMP WITH R-410A — QUICK REFERENCE GUIDE 34

APPENDIX B — WIRING DIAGRAM LIST 34

APPENDIX C — LOW AMBIENT OPTION — FACTORY INSTALLED 42

START-UP CHECKLIST..... CL-1

SAFETY CONSIDERATIONS

Improper installation, adjustment, alteration, service, maintenance, or use can cause explosion, fire, electrical shock or other conditions which may cause personal injury or property damage. Consult a qualified installer, service agency, or your distributor or branch for information or assistance. The qualified installer or agency must use factory-authorized kits or accessories when modifying this product. Refer to the individual instructions package

Follow all safety codes. Wear safety glasses and work gloves. Use quenching cloths for brazing operations and have a fire extinguisher available. Read these instructions thoroughly and follow all warnings or cautions attached to the unit. Consult local building codes and appropriate national electrical codes (in USA, ANSI/NFPA70, National Electrical Code (NEC); in Canada, CSA C22.1) for special requirements.

It is important to recognize safety information. This is the safety-alert symbol ⚠. When you see this symbol on the unit and in instructions or manuals, be alert to the potential for personal injury.

Understand the signal words DANGER, WARNING, CAUTION, and NOTE. These words are used with the safety-alert symbol. DANGER identifies the most serious hazards which will result in severe personal injury or death. WARNING signifies hazards which could result in personal injury or death. CAUTION is used to identify unsafe practices, which may result in minor personal injury or product and property damage. NOTE is used to highlight suggestions which will result in enhanced installation, reliability, or operation.

⚠ WARNING

ELECTRICAL SHOCK HAZARD

Failure to follow this warning could cause in personal injury or death.

Before performing service or maintenance operations on unit, always turn off main power switch to unit and install lockout tag. Unit may have more than one power switch.

⚠ WARNING

UNIT OPERATION AND SAFETY HAZARD

Failure to follow this warning could cause personal injury, death and/or equipment damage.

R-410A refrigerant systems operate at higher pressures than standard R-22 systems. Do not use R-22 service equipment or components on R-410A refrigerant equipment.

⚠ WARNING

PERSONAL INJURY AND ENVIRONMENTAL HAZARD

Failure to follow this warning could cause personal injury or death.

Relieve pressure and recover all refrigerant before system repair or final unit disposal.

Wear safety glasses and gloves when handling refrigerants. Keep torches and other ignition sources away from refrigerants and oils.

⚠ CAUTION

CUT HAZARD

Failure to follow this caution may result in personal injury.

Sheet metal parts may have sharp edges or burrs. Use care and wear appropriate protective clothing, safety glasses and gloves when handling parts and servicing units.

GENERAL

See Fig. 1-2 for unit dimensions. For physical data, see Tables 2-3. For model number nomenclature, see Fig. 3.

Rated Indoor Airflow (cfm)

Table 1 below lists the rated indoor airflow used for the AHRI efficiency rating for the units covered in this document.

Table 1 — CHS with FHS

MODEL NUMBERS	FULL LOAD AIRFLOW (cfm)
CHS183*T/U - FHS180	5625
CHS243*T/U - FHS240	7500

INSTALLATION GUIDELINE

Replacement /Retrofit — R-22 to R-410A Refrigerant

Split system heat pumps are intended to be installed with matching indoor sections only. The CHS heat pump outdoor units are matched only with same-size FHX indoor sections. Existing R-22 indoor coils cannot be converted to R-410A heat pump duty. Only the existing refrigerant piping is a candidate for retrofit use.

ACID TEST

If the existing system is being replaced because of a compressor electrical failure, assume acid is in system. If system is being replaced for any other reason, use an acid test kit to determine acid level. If even low levels of acid are detected, install a 100 percent activated alumina suction line filter drier in addition to the replacement liquid-line filter drier. Operate this system in COOLING ONLY. Remove the suction line filter drier as soon as possible, with a maximum of 72 hours of operation.

Recommendation: Install a ball valve in the liquid line at the filter drier location when installing a suction filter in the suction line.

INSTALLATION

1. Remove the existing evaporator coil or fan coil and install the replacement coil.
2. Drain oil from low points and traps in suction line tubing if they were not replaced.
3. Remove the existing outdoor unit. Install the new outdoor unit according to these installation instructions.
4. Install the factory-supplied liquid-line filter drier at the indoor coil just upstream of the TXV.

CAUTION

UNIT DAMAGE HAZARD

Failure to follow this caution may result in equipment damage or improper operation.

Never install suction-line filter drier in the liquid-line of an R-410A system.

5. If required, install a 100% activated alumina suction line filter drier at the outdoor unit.
6. Evacuate and charge the system according to the instructions in this installation manual.
7. Operate the system for 10 hr. Monitor the pressure drop across the suction line filter drier. If pressure drop exceeds 3 psig (21 kPa), replace suction-line and liquid-line filter driers. Be sure to purge system with dry nitrogen and evacuate when replacing filter driers. Continue to monitor the pressure drop across suction-line filter drier. Repeat filter changes is necessary. Never leave suction-line filter drier in system longer than 72 hours (actual time).

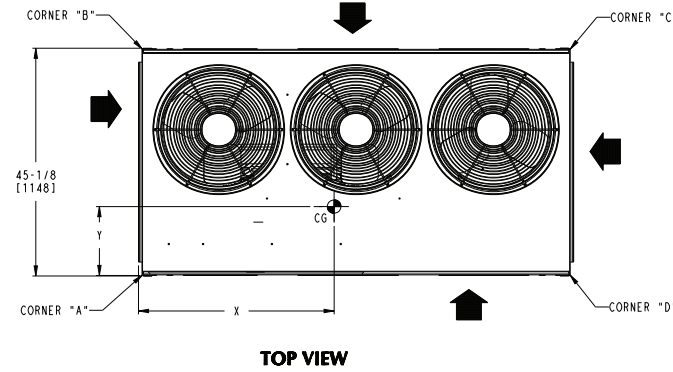
UNIT	ELECTRICAL CHARACTERISTICS	STD. UNIT WT.		CORNER A		CORNER B		CORNER C		CORNER D		CENTER OF GRAVITY			UNIT HEIGHT				
		LBS.	KG.	LBS.	KG.	LBS.	KG.	LBS.	KG.	LBS.	KG.	X	Y	Z	H				
CHSD180	208/230-3-60, 460-3-60, 575-3-60	768	348	236	107	183	83	153	69	196	89	39	[990.6]	20	[508]	23	[584.2]	50-3/8	[1279.2]



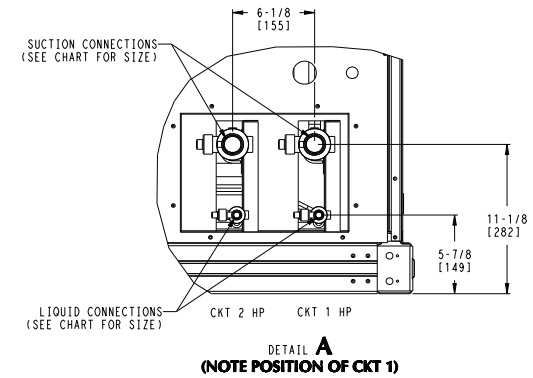
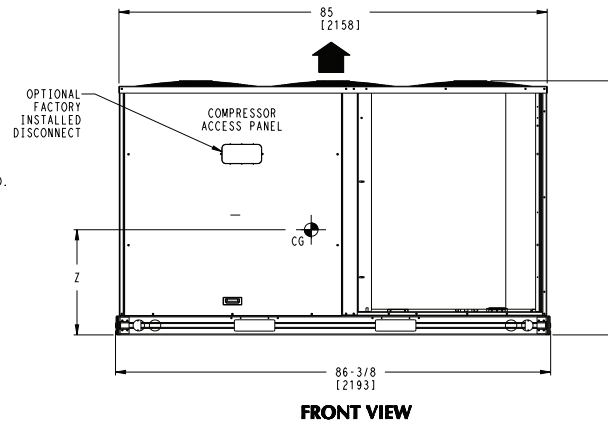
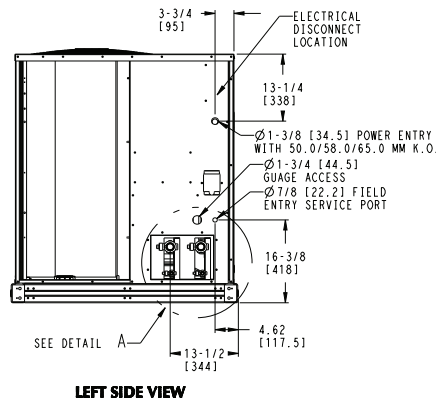
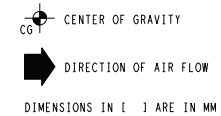
THIS DOCUMENT IS THE PROPERTY OF CARRIER CORPORATION AND IS DELIVERED UPON THE EXPRESS CONDITION THAT THE CONTENTS WILL NOT BE DISCLOSED OR USED WITHOUT WRITTEN CONSENT.

SUBMISSION OF THESE DRAWINGS OR DOCUMENTS DOES NOT CONSTITUTE PART PERFORMANCE OR ACCEPTANCE OF CONTRACT.

- NOTES:
- MINIMUM CLEARANCE (LOCAL CODES OR JURISDICTION MAY PREVAIL):
 - BOTTOM TO COMBUSTIBLE SURFACES: 0 INCHES.
 - OUTDOOR COIL, FOR PROPER AIR FLOW: 36 INCHES ONE SIDE, 12 INCHES THE OTHER. THE SIDE GETTING THE GREATER CLEARANCE IS OPTIONAL.
 - OVERHEAD: 60 INCHES, TO ASSURE PROPER OUTDOOR FAN OPERATION.
 - BETWEEN UNITS: CONTROL BOX SIDE, 42 INCHES PER NEC.
 - BETWEEN UNIT AND UNGROUNDED SURFACES: CONTROL BOX SIDE, 36 INCHES PER NEC.
 - BETWEEN UNIT AND BLOCK OR CONCRETE WALLS AND OTHER GROUNDED SURFACES: CONTROL BOX SIDE, 42 INCHES PER NEC.
 - WITH EXCEPTION OF THE CLEARANCE FOR THE OUTDOOR COIL AS STATED IN NOTE 1B, A REMOVABLE FENCE OR BARRICADE REQUIRES NO CLEARANCE.
 - UNITS MAY BE INSTALLED ON COMBUSTIBLE FLOORS MADE FROM WOOD OR CLASS A, B OR C ROOF COVERING MATERIAL.



SERVICE VALVE CONNECTIONS			
UNIT	SUCTION	LIQUID	QTY
CHSD180	1-3/8 [34.9]	1/2 [12.7]	2 EA



DATE	SUPERCEDES	CHSD 180 CONDENSING UNIT	38AU501165	REV
11/24/10	08/04/10			-

NOTE: Dimensions and drawings for CHSD 180 also apply to CHS183*T/U.

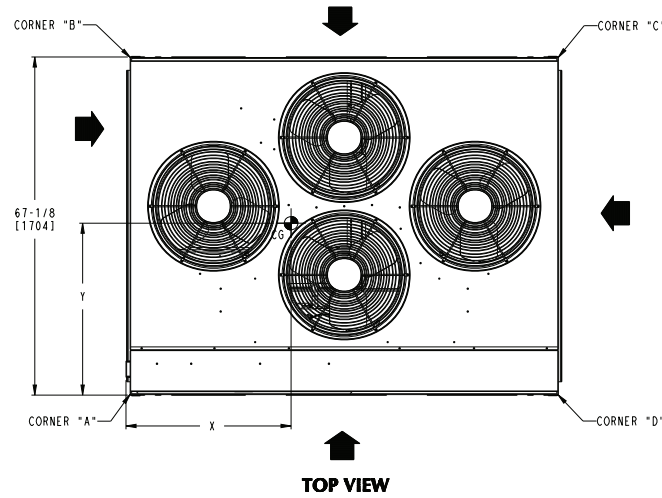
Fig. 1 — CHS183 Unit Dimensions

UNIT	ELECTRICAL CHARACTERISTICS	STD. UNIT WT.		CORNER A		CORNER B		CORNER C		CORNER D		CENTER OF GRAVITY			UNIT HEIGHT
		LBS.	KG.	LBS.	KG.	LBS.	KG.	LBS.	KG.	LBS.	KG.	X	Y	Z	H
CHSD240	208/230-3-60,460-3-60,575-3-60	1015	460	354	161	224	102	170	77	268	122	37 [939.8]	26 [660.4]	23 [584.2]	50-3/8 [1279.2]



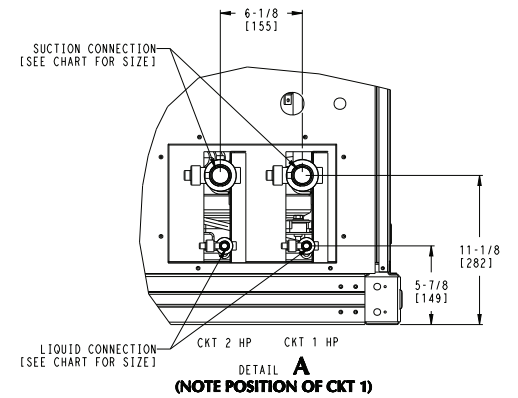
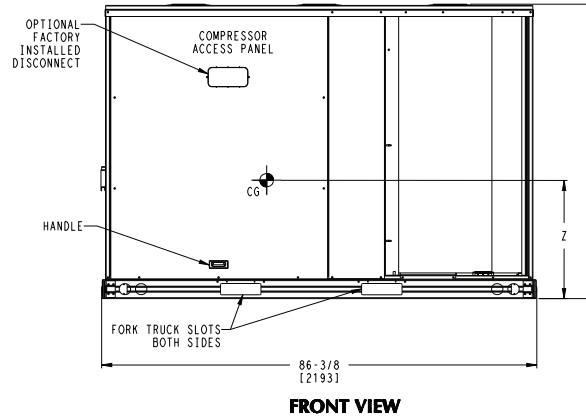
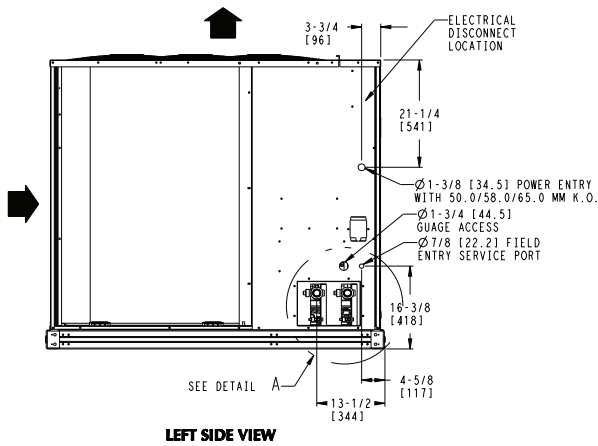
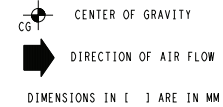
THIS DOCUMENT IS THE PROPERTY OF CARRIER CORPORATION AND IS DELIVERED UPON THE EXPRESS CONDITION THAT THE CONTENTS WILL NOT BE DISCLOSED OR USED WITHOUT WRITTEN CONSENT.

SUBMISSION OF THESE DRAWINGS OR DOCUMENTS DOES NOT CONSTITUTE PART PERFORMANCE OR ACCEPTANCE OF CONTRACT.



- NOTES:
- MINIMUM CLEARANCE (LOCAL CODES OR JURISDICTION MAY PREVAIL):
 - A. BOTTOM TO COMBUSTIBLE SURFACES: 0 INCHES.
 - B. OUTDOOR COIL, FOR PROPER AIR FLOW: 36 INCHES ONE SIDE, 12 INCHES THE OTHER. THE SIDE GETTING THE GREATER CLEARANCE IS OPTIONAL.
 - C. OVERHEAD: 60 INCHES, TO ASSURE PROPER OUTDOOR FAN OPERATION.
 - D. BETWEEN UNITS: CONTROL BOX SIDE, 42 INCHES PER NEC.
 - E. BETWEEN UNIT AND UNGROUNDED SURFACES: CONTROL BOX SIDE, 36 INCHES PER NEC.
 - F. BETWEEN UNIT AND BLOCK OR CONCRETE WALLS AND OTHER GROUNDED SURFACES: CONTROL BOX SIDE, 42 INCHES PER NEC.
 - WITH EXCEPTION OF THE CLEARANCE FOR THE OUTDOOR COIL AS STATED IN NOTE 1B, A REMOVABLE FENCE OR BARRICADE REQUIRES NO CLEARANCE.
 - UNITS MAY BE INSTALLED ON COMBUSTIBLE FLOORS MADE FROM WOOD OR CLASS A, B OR C ROOF COVERING MATERIAL.

UNIT	SERVICE VALVE CONNECTIONS		QTY
	SUCTION	LIQUID	
CHSD240	1-3/8 [34.9]	1/2 [12.7]	2 EA



DATE	SUPERCEDES	CHSD 240 CONDENSING UNIT	38AU501163	REV
11/24/10	08/04/10			-

NOTE: Dimensions and drawings for CHSD 240 also apply to CHS243*T/U.

Fig. 2 — CHS243 Unit Dimensions

Table 2 — Physical Data — CHS183-243 Units — 60 Hz English

UNIT	CHS183*T/U	CHS243*T/U
NOMINAL CAPACITY (tons)	15	20
OPERATING WEIGHTS (lb)		
Aluminum-Fin Coils	768	1015
REFRIGERATION SYSTEM	R-410A	R-410A
No. Circuits / No. Comp. / Type	2 / 2 / Scroll	2 / 2 / Scroll
Shipping Charge A/B (lb)	9.0 / 9.0	9.0 / 9.0
System Charge with Fan Coil ^a A/B (lb)	28.3 / 26.7	27 / 27
Metering Device	Acutrol	Acutrol
High-Press. Trip / Reset (psig)	630 / 505	630 / 505
Low-Press. Trip / Reset (psig)	27 / 44	27 / 44
COMPRESSOR		
Model	ZPS83/ZP83	ZPS104/ZP104
Oil Charge A/B (oz)	54 / 56	81 / 81
Speed (rpm)	3500	3500
OUTDOOR COIL		
Material	Al/Cu	Al/Cu
Coil Type	RTPF	RTPF
Rows/Fins Per Inch (FPI)	2 / 17	2 / 17
Total Face Area (ft ²)	47.1	50.1
OUTDOOR FAN / MOTOR		
Qty / Motor Drive Type	3 / Direct	4 / Direct
Motor hp / rpm	1/4 / 1100	1/4 / 1100
Fan Diameter (in.)	22	22
Nominal Airflow (cfm)	10,000	14,000
Watts (total)	970	1150
Cut-in	44 ±5	44 ±5
PIPING CONNECTIONS (in. ODS)		
Qty / Vapor (in. ODS)	2 / 1-3/8	2 / 1-3/8
Qty / Liquid (in. ODS)	2 / 1/2	2 / 1/2

NOTE(S):

a Approximate system charge with 25 ft piping of sizes indicated with matched FHX.

LEGEND

- ODS** — Outside Diameter Sweat (socket)
- RTPF** — Round Tube/Plate Fin

Table 3 — Physical Data — CHS183-243 Units — 60 Hz SI

UNIT	CHS183*T/U	CHS243*T/U
NOMINAL CAPACITY (kW)	52.8	70.3
OPERATING WEIGHTS (kg)		
Aluminum-Fin Coils	348	460
REFRIGERATION SYSTEM	R-410A	R-410A
No. Circuits / No. Comp. / Type	2 / 2 / Scroll	2 / 2 / Scroll
Shipping Charge A/B (kg)	4.1 / 4.1	4.1 / 4.1
System Charge with Fan Coil ^a A/B (kg)	12.8 / 12.1	12.2 / 12.2
Metering Device	Acutrol	Acutrol
High-Press. Trip / Reset (kPa)	4344 / 3482	4344 / 3482
Low-Press. Trip / Reset (kPa)	27 / 44	27 / 44
COMPRESSOR		
Model	ZPS83/ZP83	ZPS104/ZP104
Oil Charge A/B (L)	1.6 / 1.7	2.4 / 2.4
Speed (r/s)	58	58
OUTDOOR COIL		
Material	Al/Cu	Al/Cu
Coil Type	RTPF	RTPF
Rows/Fins Per Meter	2 / 17	2 / 17
Total Face Area (m ²)	4.4	4.6
OUTDOOR FAN / MOTOR		
Qty / Motor Drive Type	3 / Direct	4 / Direct
Motor hp / r/s	1/4 / 18	1/4 / 18
Fan Diameter (mm)	559	559
Nominal Airflow (L/s)	4719	6607
Watts (total)	970	1150
Cut-in	44 ±5	44 ±5
PIPING CONNECTIONS (mm ODS)		
Qty / Vapor	2 / 34.9	2 / 34.9
Qty / Liquid	2 / 12.7	2 / 12.7

NOTE(S):

a Approximate system charge with 7.6 m piping of sizes indicated with matched FHX.

LEGEND

- ODS** — Outside Diameter Sweat (socket)
- RTPF** — Round Tube/Plate Fin

MODEL SERIES	C	H	S	1	8	3	H	T	A	0	A	0	0	A
Position Number	1	2	3	4	5	6	7	8	9	10	11	12	13	14
C = R-410A Condensing Unit														
H = Heat Pump														
Type														
S = Standard ASHRAE 90.1-2016														
Efficiency														
183 = 15 Tons (Dual circuit, 3-stage cooling)														
243 = 20 Tons (Dual circuit, 3-stage cooling)														
Nominal Cooling Capacity														
H = 208/230-3-60														
L = 460-3-60														
S = 575-3-60														
Voltage														
T = Dual Circuit, 3 Stage														
U = Dual Circuit, 3 Stage with Low Ambient Control														
Refrigerant System Options														
A = Al/Cu Round Tube Plate Fin (RTPF) Coil														
B = Pre-Coated Al/Cu RTPF Coil														
C = E-Coated Al/Cu RTPF Coil														
M = Al/Cu RTPF Coil with Louvered Hail Guards														
N = Pre-Coated Al/Cu RTPF Coil with Louvered Hail Guards														
P = E-Coated Al/Cu RTPF Coil with Louvered Hail Guards														
Condenser Coil Options														
0 = None														
1 = Non-powered Convenience Outlet														
2 = Powered Convenience Outlet														
Service Options														
A = None														
C = Non-Fused Disconnect Switch														
Electrical Options														
0 = Standard Electromechanical Controls														
Base Unit Controls														
0 = No options, reserved for future use														
Future Use														
A = Standard														
B = LTL														
Packaging														

Fig. 3 — Model Number Nomenclature

INSTALLATION

Jobsite Survey

Complete the following checks before installation.

1. Consult local building codes and the NEC (National Electrical Code) ANSI/NFPA 70 for special installation requirements.
2. Determine unit location (from project plans) or select unit location.
3. Check for possible overhead obstructions which may interfere with unit lifting or rigging.

Step 1 — Plan for Unit Location

Select a location for the unit and its support system (pad, rails or other) that provides for the minimum clearances required for safety. This includes the clearance to combustible surfaces, unit performance and service access below, around and above unit as specified in unit drawings. See Fig. 4.

Select a unit mounting system that provides adequate height to allow for removal and disposal of frost and ice that will form during the heating-defrost mode.

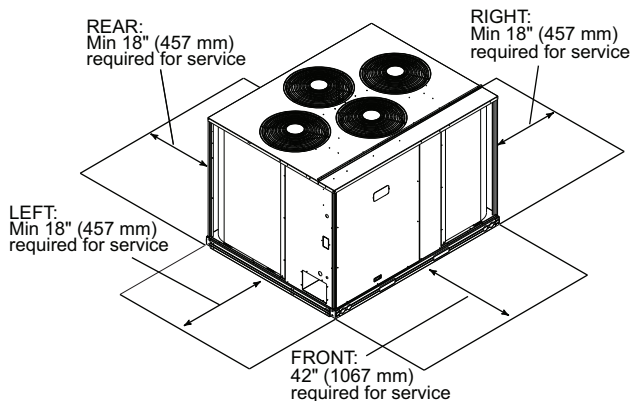
NOTE: Consider also the effect of adjacent units on airflow performance and control box safety clearance.

Do not install the outdoor unit in an area where fresh air supply to the outdoor coil may be restricted or when recirculation from the condenser fan discharge is possible. Do not locate the unit in a well or next to high walls.

Evaluate the path and required line length for interconnecting refrigeration piping, including suction riser requirements (outdoor unit above indoor unit), liquid line lift (outdoor unit below indoor unit) and hot gas bypass line. Relocate sections to minimize the length of interconnecting tubing.

IMPORTANT: DO NOT BURY REFRIGERATION LINES.

Although unit is weatherproof, avoid locations that permit water from higher level runoff and overhangs to fall onto the unit.



NOTE: Observe requirements for 39" (914 mm) operating clearance on either Left or Rear coil opening.

Fig. 4 — Service Clearance Dimensional Drawing

Step 2 — Complete Pre-Installation Checks

CHECK UNIT ELECTRIC CHARACTERISTIC

Confirm before installation of unit that voltage, amperage and circuit protection requirements listed on unit data plate agree with power supply provided.

UN-CRATE UNIT

Remove unit packaging except for the top skid assembly, which should be left in place until after the unit is rigged into its final location.

CHS-180-240-02SI

INSPECT SHIPMENT

File a claim with shipping company if the shipment is damaged or incomplete.

CONSIDER SYSTEM REQUIREMENTS

- Consult local building codes and National Electrical Code (NEC, U.S.A.) for special installation requirements.
- Allow sufficient space for airflow clearance, wiring, refrigerant piping, and servicing unit. See Fig. 1 and 2 for unit dimensions and weight distribution data.
- Locate the unit so that the outdoor coil (condenser) airflow is unrestricted on all sides and above.
- The unit may be mounted on a level pad directly on the base channels or mounted on raised pads at support points. See Tables 2 and 3 for unit operating weights. See Fig. 1 and 2 for weight distribution based on recommended support points.

NOTE: If vibration isolators are required for a particular installation, use the data in Fig. 1 and 2 to make the proper selection.

Step 3 — Prepare Unit Mounting Support

SLAB MOUNT

Provide a level concrete slab that extends a minimum of 6 in. (150 mm) beyond unit cabinet. Install a gravel apron in front of condenser coil air inlet to prevent grass and foliage from obstructing airflow.

Step 4 — Rig and Mount the Unit

RIGGING

These units are designed for overhead rigging. Refer to the rigging label for preferred rigging method. Spreader bars are not required if top crating is left on the unit. All panels must be in place when rigging. As further protection for coil faces, plywood sheets may be placed against the sides of the unit, behind cables. Run cables to a central suspension point so that the angle from the horizontal is not less than 45 degrees. Raise and set the unit down carefully.

If it is necessary to roll the unit into position, mount the unit on longitudinal rails, using a minimum of 3 rollers. Apply force to the rails, not the unit. If the unit is to be skidded into position, place it on a large pad and drag it by the pad. Do not apply any force to the unit.

Raise from above to lift the unit from the rails or pad when unit is in its final position.

After the unit is in position, remove all shipping materials and top crating.

Step 5 — Complete Refrigerant Piping Connections

Refrigerant lines must be carefully designed and constructed to ensure equipment reliability and efficiency. Line length, pressure drop, compressor oil return, and vertical separation are several of the design criteria that must be evaluated. See Table 4.

IMPORTANT: Do not bury refrigerant piping underground.

IMPORTANT: A refrigerant receiver is not provided with the unit. Do not install a receiver.

Table 4 — CHS183-243 Piping Recommendations (Two-Circuit Unit)

R-410A		EQUIVALENT LENGTH (ft)						
Model Nominal Capacity	Length Linear	0-24	25-49		50-74		75-99	100-125
	Length Equiv	0-37	38-74		75-112		113-149	150-188 ^a
CHS183	Liquid Line (in.)	1/2	1/2		1/2		1/2	1/2
	Max Lift Cool	25	50		75		100	125
	Max Lift Heat	25	50		60		60	60
	Vapor Line (in.)	1-3/8 ^b	1-3/8 ^b		1-1/8		1-1/8	1-1/8
	Charge ea. (lb)	28.5	30.6		24.8		26.6	28.6
CHS243	Liquid Line (in.)	1/2	1/2	5/8	1/2	5/8	5/8	5/8
	Max Lift Cool	25	37	50	24	51	48	63
	Max Lift Heat	25	50		60		60	60
	Vapor Line (in.)	1-3/8 ^b	1-3/8 ^b		1-1/8		1-1/8	1-3/8
	Charge ea. (lb)	27.1	29.2	31.1	30.7	33.6	37.1	40.2

NOTE(S):

- a For applications with equivalent length greater than 188 ft (57 m) and/or linear length greater than 125 ft (38 m), contact your local representative.
- b AHRI ratings as listed as only valid with the piping diameters specified.

LEGEND

- Length Equiv** — Equivalent tubing length, including effects of refrigeration specialties devices
- Length Linear** — Typical linear tubing length, Feet (50% added to linear to define Equivalent Length for this table)
- Liquid Line** — Tubing size, inches OD
- Max Lift** — Maximum liquid lift (indoor unit ABOVE outdoor unit only), at maximum permitted liquid line pressure drop:
 Linear Length Less than 100 ft: Minimum 2.0°F subcooling entering TXV
 Linear Length Greater than 100 ft: Minimum 0.5°F subcooling entering TXV
- Vapor Line** — Tube size, inches OD
- Charge** — Charge Quantity, lb. Calculated for both liquid line sizes (where applicable), but only with large suction line size (where applicable)

CHECK VERTICAL SEPARATION

If there is any vertical separation between the indoor and outdoor units, check to ensure that the separation is within allowable limits. Relocate equipment if necessary.

PROVIDE SAFETY RELIEF

If local codes dictate an additional safety relief device, purchase locally and install locally. Installation will require the recovery of the factory shipping charge before the factory tubing can be cut and the supplemental relief device is installed.

REFRIGERANT LINE SIZING

Consider the length of the piping required between the outdoor and indoor units. The maximum allowable line length is 100 ft (30.5 m). See Table 4. Refrigerant vapor piping should be insulated.

INSTALL FILTER DRIERS AND MOISTURE INDICATORS

Every unit MUST have bi-directional filter driers in the liquid lines. Locate the filter driers at the indoor unit, close to the evaporator coil's thermostatic expansion valve (TXV) inlets.

CHS units include two R-410A-duty filter driers, shipped in cartons attached to the unit basepan. Remove the filter

driers and prepare to install in the liquid lines at the evaporator coil. Do not remove connection fitting plugs until ready to connect and braze the filter driers into the liquid line positions See Table 5.

IMPORTANT: A refrigerant receiver is not provided with the unit. Do not install a receiver.

Installation of liquid line moisture indicating sight glass in each circuit is recommended. Locate the sight glass(es) between the outlet of the filter drier and the TXV inlet.

Refer to Table 6 for recommendations on refrigeration specialties.

Select the filter drier for maximum unit capacity and minimum pressure drop. Complete the refrigerant piping from the indoor unit to the outdoor unit before opening the liquid and suction lines at the outdoor unit.

Table 5 — R-410A-Duty Filter Drier(s)

MODEL SIZE	QTY	LIQUID LINE OD	DESSICANT VOLUME	PART NO. REF
CHS183	2	1/2 in.	16 cu. in.	1192276
CHS243	2	1/2 in.	16 cu. in.	1192276

Table 6 — Refrigerant Specialties Part Numbers

LIQUID LINE SIZE (in.)	LIQUID LINE SOLENOID VALVE (LLSV)	SOLENOID COIL	SIGHT GLASS
1/2	1179872 plus 1183150 biflow kit	1179874	1179877
5/8	1179873 plus 1183150 biflow kit	1179874	1179878

INSTALL LIQUID LINE SOLENOID VALVES

It is recommended that bi-directional solenoid valves be placed in the main liquids line for circuits 1 and 2 (see Fig. 5) between the outdoor unit and the indoor coil. Locate the solenoid valves at the end of the liquid lines, near the outdoor unit connections, with flow direction arrow pointed at the outdoor unit. Refer to Table 6. (A liquid line solenoid valve is required when the liquid line length exceeds 75 ft [23 m].) This valve prevents refrigerant migration (which causes oil dilution) to the compressor during the off cycle, at low outdoor ambient temperatures. Wire the solenoid according to the unit label diagram.

CAUTION

UNIT DAMAGE HAZARD
 Failure to follow this caution may result in equipment damage.
 Failure to use a solenoid valve relay (SUR) accessory may cause overload of Comfort Alert Diagnostic Module (CADM) and compressor alarm lock out.

CAPACITY CONTROL LIQUID LINE SOLENOID VALVE

Evaporator capacity control via liquid solenoid valve is not recommended for use with CHS models.

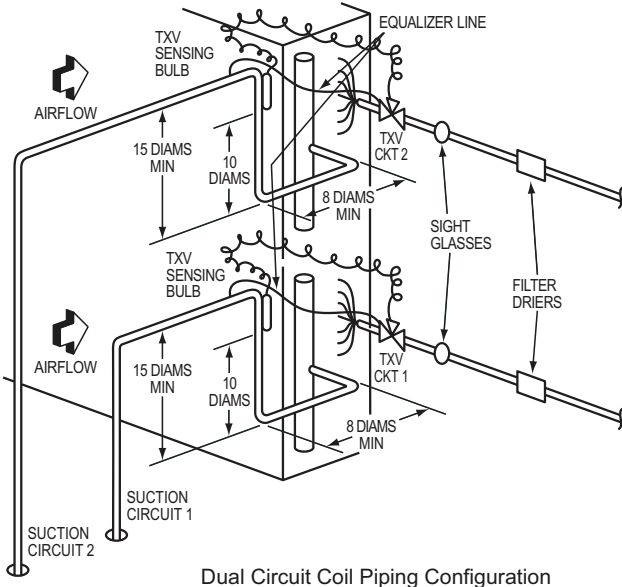


Fig. 5 — Location of Sight Glasses and Filter Driers

MAKE PIPING CONNECTIONS

Piping connections at the CHS unit are ball valves with stub tube extensions. Do not open the unit service valves until all

interconnecting tube brazing as been completed. The stub tube connections include 1/4 in. SAE service fittings with Schrader valve cores (see Fig. 6). Before making any brazed connections to the unit service valves, remove both Schrader valve caps and cores and save for re-installation. Connect a source for nitrogen to one of these service fittings during tube brazing to prevent the formation of copper oxides inside the tubes at brazed joints.

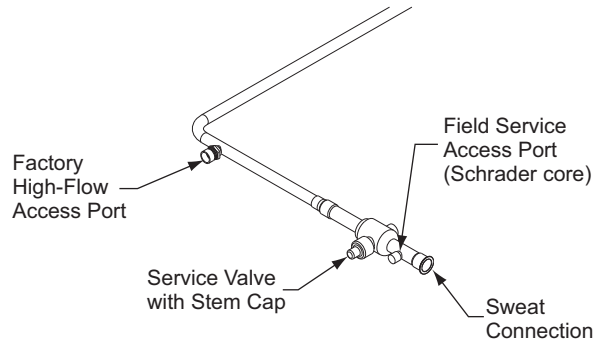


Fig. 6 — Typical Piping Connection Assembly

When connecting the field tubing to the CHS service valves, wrap the valves in wet rags to prevent overheating. Pressure-test all joints from outdoor unit connections over to the indoor coil, using nitrogen as pressure and with soap-and-bubbles.

When pressure-testing is completed, remove the nitrogen source at the outdoor unit service valves and re-install the two Schrader valve cores. Torque the cores to 2-3 in.-lb (23-34 N-cm).

Where vapor line is exposed to outdoor air, line must be insulated. See Table 7 for insulation requirements.

Table 7 — Insulation for Vapor Line Exposed to Outdoor Conditions

LENGTH OF EXPOSED VAPOR LINE ^a		INSULATION THICKNESS ^b	
ft	m	in.	mm
10	3	3/8	10
25	8	1/2	13
50	15	3/4	19

NOTE(S):

- a Recommended vapor line insulation for piping exposed to outdoor conditions to prevent loss of heating during heating cycle. When vapor line goes through interior spaces, insulation should be selected to prevent condensation on cooling cycle. Heating capacity should be reduced 1000 Btuh (295 W) if over 35 ft (11 m) of vapor line with 3/4 in. (19 mm) insulation is exposed to outdoor conditions.
- b Closed cell foam insulation with a thermal conductivity of: 0.28 Btu • in./ft² • h • °F (0.04 W/m • °C).

EVACUATION/DEHYDRATION

Evacuate and dehydrate the connected refrigeration system(s) (excluding the CHS unit) to 500 microns using a two-stage vacuum pump attached to the service ports outside the CHS service valves, following description in GTAC II, Module 4, System Dehydration.

WARNING

UNIT OPERATION AND SAFETY HAZARD

Failure to follow this warning could cause personal injury, death and/or equipment damage.

R-410A refrigerant systems operate at higher pressures than standard R-22 systems. Do not use R-22 service equipment or components on R-410A refrigerant equipment.

IMPORTANT: Charge in Cooling mode only!

PRELIMINARY CHARGE

Before starting the unit, charge R-410A liquid refrigerant into the high side of each CHS circuit through the liquid service valve(s). The amount of refrigerant added must be at least 80% of the operating charge listed in Table 4 for LINEAR line length LESS the factory charge quantity (if factory shipping charge has not been removed). See the following example.

Allow high and low side pressures to equalize. If pressures do not equalize readily, charge R-410A vapor (using special service manifold with expansion device) into the suction line service port for the low side of system to assure charge in the evaporator. Refer to GTAC II, Module 5, Charging, Recover, Recycling, and Reclamation for liquid charging procedures.

Example:

CHS243

60 ft (18.3 m) linear line length

Equivalent line length 90 ft (27.4 m)

Cooling Liquid Lift: 20 ft (6.1 m)

Select line sizes from Table 4 (CHS):

Liquid 1/2 in. (provides liquid lift to 24 ft (7.3 m))

Vapor 1-1/8 in.

Charge (each circuit):

1/2 in. liquid line: 30.7 lb (at 75 ft linear length)

80% of Operating Charge:

$0.80 \times 30.7 = 24.6$ lb

Factory Shipping Charge: 9 lb

Field-Charge (each circuit):

$24.6 - 9.0 = 15.6$ lb

For linear line lengths longer than 125 ft (38.1 m), contact your local representative for system charge value.

Step 6 — Install Accessories

Accessories requiring modifications to unit wiring should be completed now. These accessories may include Winter Start controls, Low Ambient controls, phase monitor, Compressor Lockout. Refer to the instructions shipped with the accessory. Additionally, for low ambient controls, refer to Table 8.

Table 8 — Minimum Outdoor Air Operating Temperature

UNIT	PERCENT COMPRESSOR CAPACITY	MINIMUM OUTDOOR TEMP °F (°C) ^a	
		Standard Unit	Head Pressure Control ^b
CHS183	100	35 (1.7)	-20 (-28.9)
CHS243	100	35 (1.7)	-20 (-28.9)

NOTE(S):

a Applies to Cooling mode of operation only.

b Wind baffles (field-supplied and field-installed) are recommended for all units with low ambient head pressure control. Refer to Low Ambient Control Installation Instructions (shipped with accessory) for details.

Step 7 — Complete Electrical Connections

WARNING

Failure to follow this warning could result in personal injury or death.

Do not use gas piping as an electrical ground.

Unit cabinet must have an uninterrupted, unbroken electrical ground to minimize the possibility of personal injury if an electrical fault should occur. This ground may consist of electrical wire connected to unit ground lug in control compartment, or conduit approved for electrical ground when installed in accordance with NEC (National Electrical Code); ANSI/NFPA 70, latest edition (in Canada, Canadian Electrical Code CSA [Canadian Standards Association] C22.1), and local electrical codes.

NOTE: Check all factory and field electrical connections for tightness. Field-supplied wiring shall conform with the limitations of 63°F (33°C) rise.

FIELD POWER SUPPLY

If equipped with optional Powered Convenience Outlet: The power source leads to the convenience outlet's transformer primary are not factory connected. Installer must connect these leads according to required operation of the convenience outlet. If an always-energized convenience outlet operation is desired, connect the source leads to the line side of the unit-mounted disconnect. (Check with local codes to ensure this method is acceptable in your area.) If a de-energize via unit disconnect switch operation of the convenience outlet is desired, connect the source leads to the load side of the unit disconnect. On a unit without a unit-mounted disconnect, connect the source leads to compressor contactor C with unit field power leads.

All units except 208/230-v units are factory wired for the voltage shown on the nameplate. If the 208/230-v unit is to be connected to a 208-v power supply, the control transformer must be rewired by moving the black wire with the 1/4 in. female spade connector from the 230-v connection and moving it to the 208-v 1/4 in. male terminal on the primary side of the transformer. Refer to unit label diagram for additional information.

Field power wires are connected to the unit at line-side pressure lugs on compressor contactor C and TB1 (see wiring diagram label for control box component arrangement) or at factory-installed option non-fused disconnect switch. Max wire size is no.4 AWG (copper only).

NOTE: TEST LEADS - Unit may be equipped with short leads (pigtailed) on the field line connection points on contactor C or optional disconnect switch. These leads are for factory run-test purposes only; remove and discard before

connecting field power wires to unit connection points. Make field power connections directly to line connection pressure lugs only.

⚠ WARNING

FIRE HAZARD

Failure to follow this warning could result in intermittent operation or performance satisfaction. Do not connect aluminum wire between disconnect switch and condensing unit. Use only copper wire. (See Fig. 7.)

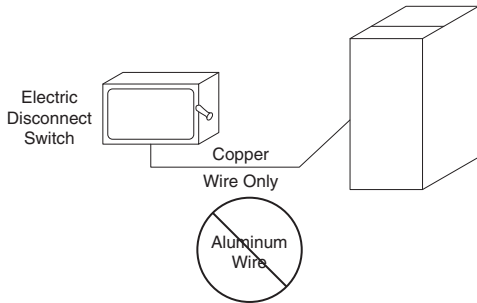


Fig. 7 — Disconnect Switch and Unit

UNITS WITHOUT FACTORY-INSTALLED DISCONNECT

When installing units, provide a disconnect switch per NEC (National Electrical Code) of adequate size. Disconnect sizing data is provided on the unit informative plate. Locate on unit cabinet or within sight of the unit per national or local codes. Do not cover unit informative plate if mounting the disconnect on the unit cabinet.

UNITS WITH FACTORY-INSTALLED DISCONNECT

The factory-installed option disconnect switch is located in a weatherproof enclosure located under the main control box. The manual switch handle is accessible through an opening in the access panel.

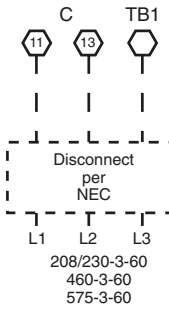
ALL UNITS

All field wiring must comply with NEC and all local codes. Size wire based on MCA (Minimum Circuit Amps) on the unit informative plate. See Fig. 8 for power wiring connections to the unit power terminal block and equipment ground. Maximum wire size is no.4 ga AWG per pole.

Provide a ground-fault and short-circuit over-current protection device (fuse or breaker) per NEC Article 440 (or local codes). Refer to unit informative data plate for MOCP (Maximum Overcurrent Protection) device size.

All field wiring must comply with the NEC and local requirements.

Units Without Disconnect Option



Units With Disconnect Option

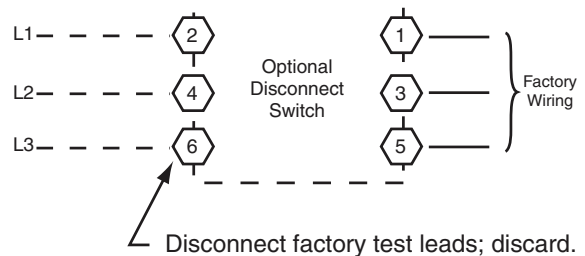


Fig. 8 — Power Wiring Connections

VOLTAGE AND CURRENT BALANCE

Voltage to compressor terminals during operation must be within voltage range indicated on unit nameplate. See Table 9. On 3-phase units, voltages between phases must be balanced within 2% and the current within 10%. Use the formula shown in the legend for Table 9, Note a (see page 16) to determine the percent of voltage imbalance. Operation on improper line voltage or excessive phase imbalance constitutes abuse and may cause damage to electrical components. Such operation would invalidate any applicable warranty.

Convenience Outlets

⚠ WARNING

ELECTRICAL OPERATION HAZARD

Failure to follow this warning could result in personal injury or death.

Units with convenience outlet circuits may use multiple disconnects. Check convenience outlet for power status before opening unit for service. Locate its disconnect switch, if appropriate, and open it. Tag-out this switch, if necessary.

Two types of convenience outlets are offered on CHS models: Non-powered and unit-powered. Both types provide a 125-volt GFCI (ground-fault circuit-interrupter) duplex receptacle rated at 15-A behind a hinged waterproof access cover, located on the end panel of the unit. See Fig. 9.

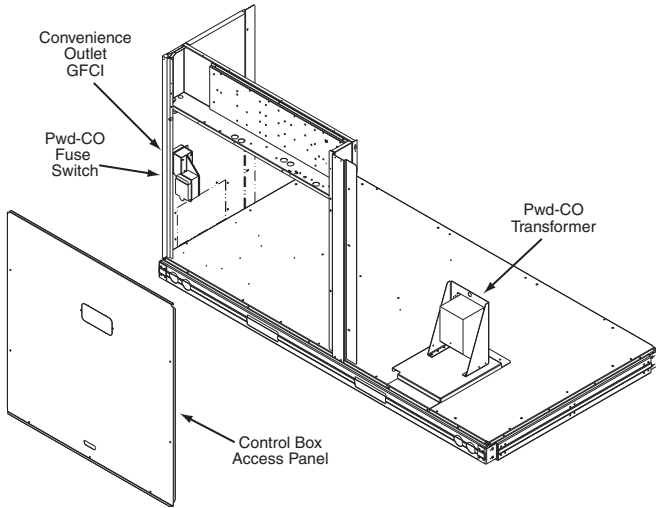


Fig. 9 — Convenience Outlet Location

Non-powered type: This type requires the field installation of a general-purpose 125-volt 15-A circuit powered from a source elsewhere in the building. Observe national and local codes when selecting wire size, fuse or breaker requirements and disconnect switch size and location. Route 125-v power supply conductors into the bottom of the utility box containing the duplex receptacle.

Unit-powered type: A unit-mounted transformer is factory-installed to stepdown the main power supply voltage to the unit to 115-v at the duplex receptacle. This option also includes a manual switch with fuse, located in a utility box and mounted on a bracket behind the convenience outlet; access is through the unit's control box access panel. See Fig. 9.

The primary leads to the convenience outlet transformer are not factory-connected. Selection of primary power source is a customer-option. If local codes permit, the transformer primary leads can be connected at the line-side terminals on the unit-mounted non-fused disconnect switch; this will provide service power to the unit when the unit disconnect switch is open. Other connection methods will result in the convenience outlet circuit being de-energized when the unit disconnect switch is open. See Fig. 10.

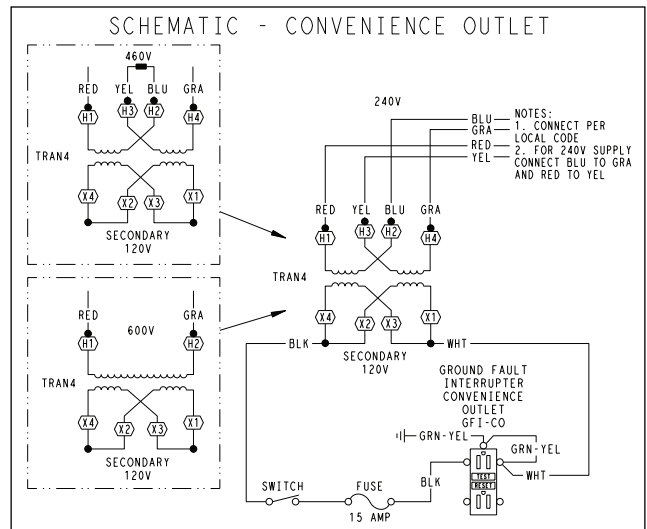
Duty Cycle: The unit-powered convenience outlet has a duty cycle limitation. The transformer is intended to provide power on an intermittent basis for service tools, lamps, etc; it is not intended to provide 15-amps loading for continuous duty loads (such as electric heaters for overnight use). Observe a 50% limit on circuit loading above 8-amps (i.e., limit loads exceeding 8-amps to 30 minutes of operation every hour).

Test the GFCI receptacle by pressing the TEST button on the face of the receptacle to trip and open the receptacle. Check for proper grounding wires and power line phasing if the GFCI receptacle does not trip as required. Press the RESET button to clear the tripped condition.

Fuse on power type: The factory fuse is a Bussman™¹ "Fusetron™"¹ T-15, non-renewable screw-in (Edison base) type plug fuse.

1. Third-party trademarks and logos are the property of their respective owners.

Using unit-mounted convenience outlets: Units with unit-mounted convenience outlet circuits will often require that two disconnects be opened to de-energize all power to the unit. Treat all units as electrically energized until the convenience outlet power is also checked and de-energization is confirmed. Observe National Electrical Code Article 210, Branch Circuits, for use of convenience outlets.



UNIT VOLTAGE	CONNECT AS	PRIMARY CONNECTIONS	TRANSFORMER TERMINALS
208, 230	240	L1: RED + YEL L2: BLU + GRA	H1 + H3 H2 + H4
460	480	L1: RED L2: Splice BLU + YEL GRA	H1 H2 + H3 H4
575	600	L1: RED L2: GRA	H1 H2

Fig. 10 — Powered Convenience Outlet Wiring

Installing Weatherproof Cover

A weatherproof while-in-use cover for the factory installed convenience outlets is now required by UL standards. This cover cannot be factory mounted due its depth; it must be installed at unit installation. For shipment, the convenience outlet is covered with a blank cover plate.

The weatherproof cover kit is shipped in the unit's control box. The kit includes the hinged cover, a backing plate and gasket.

DISCONNECT ALL POWER TO UNIT AND CONVENIENCE OUTLET.

Remove the blank cover plate at the convenience outlet; discard the blank cover.

Loosen the two screws at the GFCI duplex outlet, until approximately 1/2 in. (13 mm) under screw heads are exposed. Press the gasket over the screw heads. Slip the backing plate over the screw heads at the keyhole slots and align with the gasket; tighten the two screws until snug (do not overtighten).

Mount the weatherproof cover to the backing plate as shown in Fig. 11. Remove two slot fillers in the bottom of the cover to permit service tool cords to exit the cover. Check for full closing and latching.

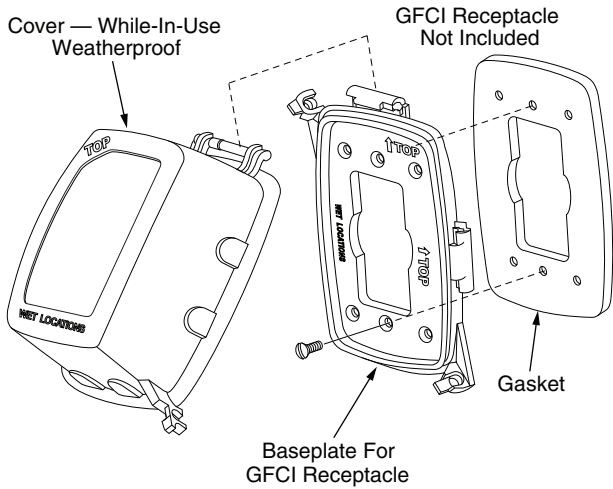


Fig. 11 — Weatherproof Cover Installation

ALL UNITS

Voltage to compressor terminals during operation must be within voltage range indicated on unit nameplate. See Table 9. On 3-phase units, voltages between phases must be balanced within 2% and the current within 10%. Use the formula shown in the legend for Table 9, Note a (see page 16) to determine the percent of voltage imbalance. Operation on improper line voltage or excessive phase imbalance constitutes abuse and may cause damage to electrical components. Such operation would invalidate any applicable unit warranty.

FIELD CONTROL WIRING

CHS unit control voltage is 24 v. See Fig. 12 for typical field control connections and the unit's label diagram for field-supplied wiring details. Route control wires to the CHS unit through the opening in unit's end panel to the connections terminal board in the unit's control box.

Remainder of the system controls connection will vary according to the specific construction details of the indoor section. Figure 12 depicts typical connections to a FHX fan coil unit. Plan for field connections carefully and install control wiring correctly per the project plan. Additional components and supplemental transformer accessory may be required.

The CHS unit requires an external temperature control device. This device can be a thermostat (field-supplied) or a thermostatic emulation device provided as part of a third-party Building Management System.

THERMOSTAT

Install a field-installed accessory thermostat according to installation instructions included with the accessory. For complete economizer function, select a two-stage cooling thermostat. Locate the thermostat accessory on a solid wall in the conditioned space to sense average temperature in accordance with the thermostat installation instructions.

If the thermostat contains a logic circuit requiring 24-v power, use a thermostat cable or equivalent single leads of different colors with minimum of five leads. If the thermostat does not require a 24-v source (no "C" connection required), use a thermostat cable or equivalent with minimum of four leads. Check the thermostat installation instructions for additional features which might require additional conductors in the cable.

For wire runs up to 50 ft (15 m), use no. 18 AWG (American Wire Gauge) insulated wire (35°C minimum). For 50 to 75 ft (15 to 23 m), use no. 16 AWG insulated wire (35°C minimum). For over 75 ft (23 m), use no. 14 AWG insulated wire (35°C minimum). All wire sizes larger than no. 18 AWG cannot be directly connected to the thermostat and will require a junction box and splice at the thermostat.

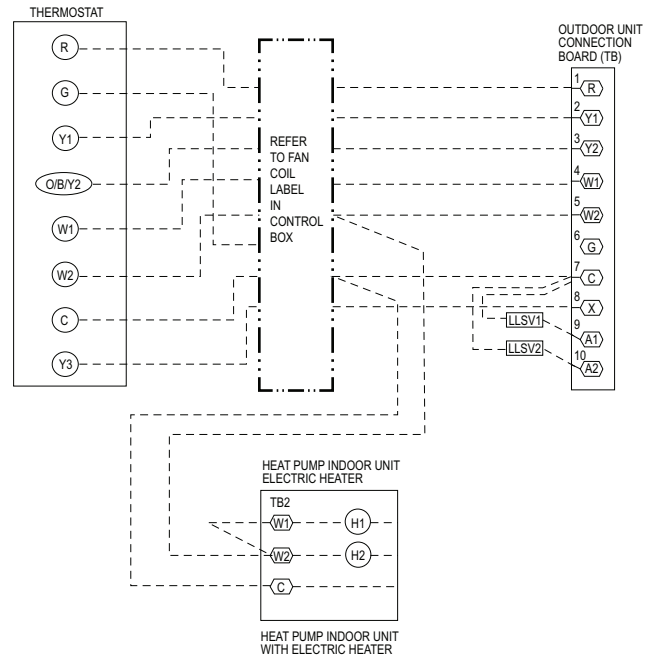


Fig. 12 — Typical Remote Thermostat Connections

Table 9 — Electrical Data — CHS183-243 60 Hz Units

UNIT	NOMINAL POWER SUPPLY (V-Ph-Hz) ^a	VOLTAGE RANGE		COMPRESSOR ^b				WITHOUT POWERED CONVENIENCE OUTLET					
				No. 1		No. 2		OFM (ea)		Power Supply		Disconnect Size	
		Min	Max	RLA	LRA	RLA	LRA	Qty	FLA	MCA ^c	Fuse or HACR Brkr ^d	FLA	LRA
CHS183	208/230-3-60	187	253	26.8	164	25.0	164	3	1.5	63/63	80/80	65/65	337/337
	460-3-60	414	506	12.0	94	12.2	100	3	0.8	29.7	40	31	200
	575-3-60 ^e	518	633	9.0	65	9.9	78	3	0.7	23.5	30	24	149
CHS243	208/230-3-60	187	253	32.5	240	28.2	240	4	1.5	74.8/74.8	100/100	77/77	492/492
	460-3-60	414	506	14.8	130	14.7	130	4	0.8	36.4	50	38	268
	575-3-60 ^e	518	633	11.1	94	11.3	94	4	0.7	28.0	35	29	196

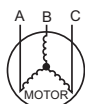
UNIT	NOMINAL POWER SUPPLY (V-Ph-Hz) ^a	VOLTAGE RANGE		COMPRESSOR ^b				WITH POWERED CONVENIENCE OUTLET					
				No. 1		No. 2		OFM (ea)		Power Supply		Disconnect Size	
		Min	Max	RLA	LRA	RLA	LRA	Qty	FLA	MCA ^c	Fuse or HACR Brkr ^d	FLA	LRA
CHS183	208/230-3-60	187	253	26.8	164	25.0	164	3	1.5	67.8/67.8	90/90	70/70	342/342
	460-3-60	414	506	12.0	94	12.2	100	3	0.8	31.9	40	33	202
	575-3-60 ^e	518	633	9.0	65	9.9	78	3	0.7	25.2	30	26	151
CHS243	208/230-3-60	187	253	32.5	240	28.2	240	4	1.5	79.6/79.6	100/100	82/82	497/497
	460-3-60	414	506	14.8	130	14.7	130	4	0.8	38.6	50	40	270
	575-3-60 ^e	518	633	11.1	94	11.3	94	4	0.7	29.7	40	31	198

NOTE(S):

- a Unbalanced 3-Phase Supply Voltage: Never operate a motor where a phase imbalance in supply voltage is greater than 2%. Use the formula below to determine the percentage of voltage imbalance.
- b Motor RLA and LRA values are established in accordance with Underwriters Laboratories (UL), Standard 1995.
- c The MCA values are calculated in accordance with the NEC Article 440.
- d In compliance with NEC requirements for multimotor and combination load equipment (refer to NEC Articles 430 and 440), the overcurrent protective device for the unit shall be fuse. Canadian units may be fuse or circuit breaker.
- e The 575-v units are UL, Canada-listed only.

$$\% \text{ Voltage Imbalance} = 100 \times \frac{\text{max voltage deviation from average voltage}}{\text{average voltage}}$$

Example: Supply voltage is 230-3-60



AB = 224 v
BC = 231 v
AC = 226 v

LEGEND

- BRKR — Circuit Breaker
- FLA — Full Load Amps
- LRA — Locked Rotor Amps
- MCA — Minimum Circuit Amps Protection
- NEC — National Electrical Code
- RLA — Rated Load Amps

$$\text{Average Voltage} = \frac{(224 + 231 + 226)}{3} = \frac{681}{3} = 227$$

Determine maximum deviation from average voltage.

- (AB) 227-224 = 3 v
- (BC) 231-227 = 4 v
- (AC) 227-226 = 1 v

Maximum deviation is 4 v.

Determine percent of voltage imbalance.

$$\% \text{ Voltage Imbalance} = 100 \times \frac{4}{227} = 1.78\%$$

This amount of phase imbalance is satisfactory as it is below the maximum allowable 2%.

IMPORTANT: If the supply voltage phase imbalance is more than 2%, contact your local electric utility company immediately.

PRE-START-UP

IMPORTANT: Before beginning Pre-Start-Up or Start-Up, review Start-Up Checklist at the back of this book. The Checklist assures proper start-up of a unit and provides a record of unit condition, application requirements, system information, and operation at initial start-up.

⚠ CAUTION

UNIT DAMAGE HAZARD

Failure to follow this caution may result in equipment damage.

Do not attempt to start the heat pump system, even momentarily, until the following steps have been completed. Compressor damage may result.

System Check

1. Check all indoor section and other equipment auxiliary components. Consult the manufacturer's instructions regarding any other equipment connected to the condensing unit. If the unit has field-installed accessories, be sure all are properly installed and correctly wired. If used, the airflow switch must be properly installed.
2. Be sure the unit is properly leak checked and dehydrated.
3. Check tightness of all electrical connections.
4. Open the liquid line and suction line service valves.
5. Be sure the unit is properly charged. See "Preliminary Charge", below.
6. The electrical power source must agree with the unit's nameplate rating.
7. The crankcase heater must be firmly attached to the compressor crankcase. Be sure the crankcase is warm (heater must be on for 24 hours before starting compressor).

Turn On Crankcase Heater

Turn on the crankcase heater for 24 hours before starting the unit to be sure all the refrigerant is out of the oil. To energize the crankcase heater, proceed as follows:

1. Set the space thermostat set point above the space temperature so there is no demand for cooling.
2. Close the field disconnect.

Preliminary Charge

Before starting the unit, charge liquid refrigerant into the high side of the system through the liquid service valve. The amount of refrigerant added must be at least 80% of the operating charge listed in the Physical Data table (Tables 2 and 3 on pages 6 and 7). Allow high and low side pressures to equalize before starting compressor. If pressures do not equalize readily, charge vapor on low side of system to assure charge in the evaporator. Refer to GTAC II, Module 5, Charging, Recover, Recycling, and Reclamation for liquid charging procedures.

⚠ CAUTION

UNIT DAMAGE HAZARD

Failure to follow this caution may result in equipment damage.

Prior to starting compressor, a preliminary charge of refrigerant must be added to avoid possible compressor damage.

START-UP

CHS Units

The compressor crankcase heater must be on for 24 hours before start-up. After the heater has been on for 24 hours, the unit can be started. If no time elapsed since the preliminary charge step was completed, it is unnecessary to wait the 24-hour period.

PRELIMINARY CHECKS

1. Check that electric power supply agrees with unit nameplate data.
2. Verify that the compressor crankcase heater is securely in place.
3. Check that the compressor crankcase heater has been on at least 24 hours.
4. Recheck for leaks using the procedure outlined in the Pre-Start-Up section, Leak Test and Dehydration. If any leaks are detected, repair as required. Evacuate and dehydrate as described in the Leak Test and Dehydration section.
5. Ensure that the preliminary charge has been added as described in the Pre-Start-Up section, Preliminary Charge.
6. All internal wiring connections must be tight, and all barriers and covers must be in place.

NOTE: The units are factory charged with the required amount of oil. If recharging is required, use Emkarate®1 RL 32-3MAF.

COMPRESSOR ROTATION

On 3-phase units with scroll compressors, it is important to be certain that the compressor is rotating in the proper direction. CHS units are equipped with a Comfort Alert Diagnostic Module (CADM). Alert Code 7 indicates reverse power phasing.

To correct phase order:

1. Turn off power to the unit, tag disconnect.
2. Reverse any two of the unit power leads.
3. Reapply power to the compressor, verify correct pressures.

To verify the compressor is rotating in the proper direction:

1. Connect service gauges to the suction and liquid pressure fittings.
2. Energize the compressor.
3. The suction pressure should drop and the liquid pressure should rise, as is normal on any start-up.

COMPRESSOR OVERLOAD

This overload interrupts power to the compressor when either the current or internal motor winding temperature becomes excessive, and automatically resets when the internal temperature drops to a safe level. This overload may require up to 60 minutes (or longer) to reset. If the internal overload is suspected of being open, disconnect the

1. Third-party trademarks and logos are the property of their respective owners.

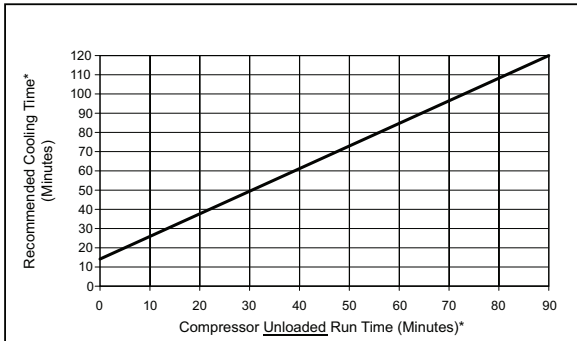
electrical power to the unit and check the circuit through the overload with an ohmmeter or continuity tester.

ADVANCED SCROLL TEMPERATURE PROTECTION (ASTP)

A label located above the terminal box identifies Copeland™1 Scroll compressor models that contain this technology. See Fig. 13. Advanced Scroll Temperature Protection (ASTP) is a form of internal discharge temperature protection, that unloads the scroll compressor when the internal temperature reaches approximately 300°F. At this temperature, an internal bi-metal disk valve opens and causes the scroll elements to separate, which stops compression. Suction and discharge pressures balance while the motor continues to run. The longer the compressor runs unloaded, the longer it must cool before the bi-metal disk resets. See Fig. 14.



Fig. 13 — Advanced Scroll Temperature Protection Label



NOTES:
 1. Various factors, including high humidity, high ambient temperature, and the presence of a sound blanket will increase cool-down times.
 *Times are approximate.

Fig. 14 — Recommended Minimum Cool-Down Time After Compressor is Stopped

To manually reset ASTP, the compressor should be stopped and allowed to cool. If the compressor is not stopped, the motor will run until the motor protector trips, which occurs up to 90 minutes later. Advanced Scroll Temperature Protection will reset automatically before the motor protector resets, which may take up to 2 hours.

START UNIT

Set the space thermostat to a set point above space temperature so that there is no demand for cooling. Close the CHS disconnect switch. Only the crankcase heater will be energized.

Reset the space thermostat below ambient so that a call for cooling is ensured.

⚠ CAUTION

UNIT DAMAGE HAZARD

Failure to follow this caution may result in equipment damage.

Never charge liquid into the low-pressure side of the system. Do not overcharge. During charging or removal of refrigerant, be sure indoor-fan system is operating. Ensure both outdoor fan motors are running; bypass any low ambient sensor function.

ADJUST REFRIGERANT CHARGE

The unit must be charged in Cooling mode only. Refer to Cooling Charging Charts, Fig. 15 and 16. For applications with line lengths greater than 100 ft, contact your representative. Vary refrigerant until the conditions of the chart are met. The charts are based on charging the units to the correct subcooling for the various operating conditions. Accurate pressure gauge and temperature sensing device are required. Connect the pressure gauge to the service port on the liquid line service valve. Mount the temperature sensing device on the liquid line close to the liquid line service valve, and insulate it so that outdoor ambient temperature does not affect the reading. Indoor airflow must be within the unit's normal operating range. Operate the unit for a minimum of 15 minutes. Ensure that pressure and temperature readings have stabilized. Plot the liquid pressure and temperature on chart and add or reduce the charge to meet the curve. Adjust the charge to conform with the charging chart, using the liquid pressure and temperature to read the chart.

FINAL CHECKS

Ensure that all safety controls are operating, control panel covers are on, and the service panels are in place.

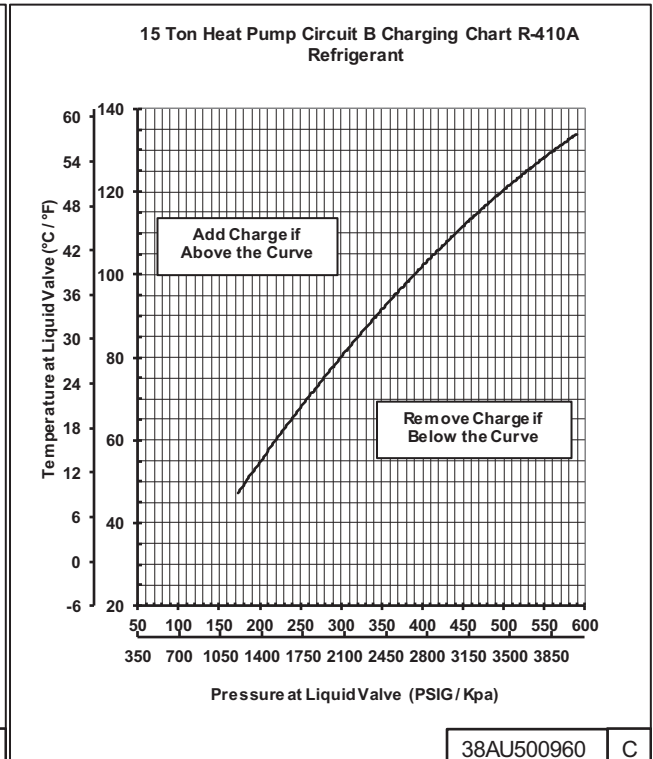
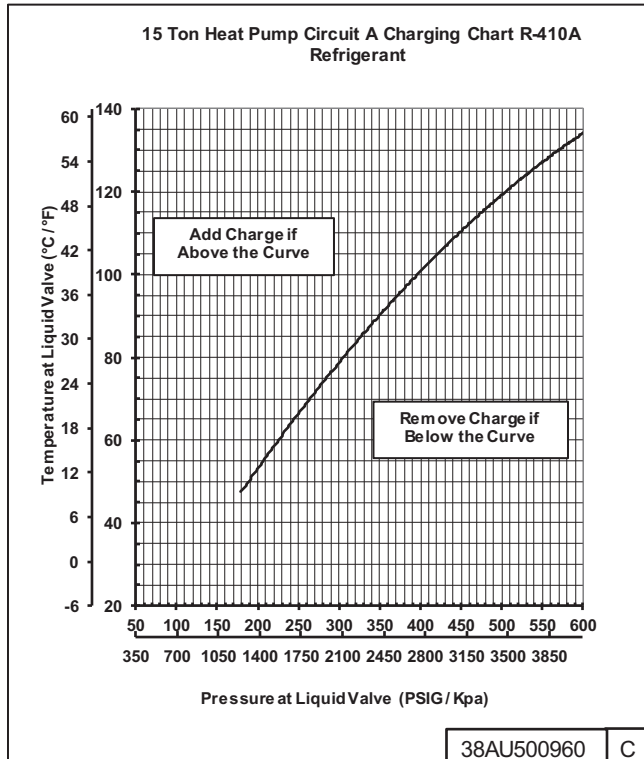


Fig. 15 — CHS183 Charging Chart

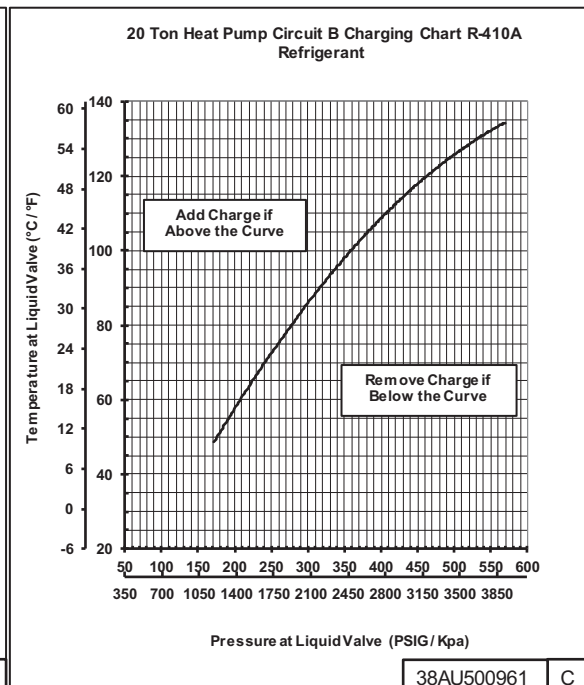
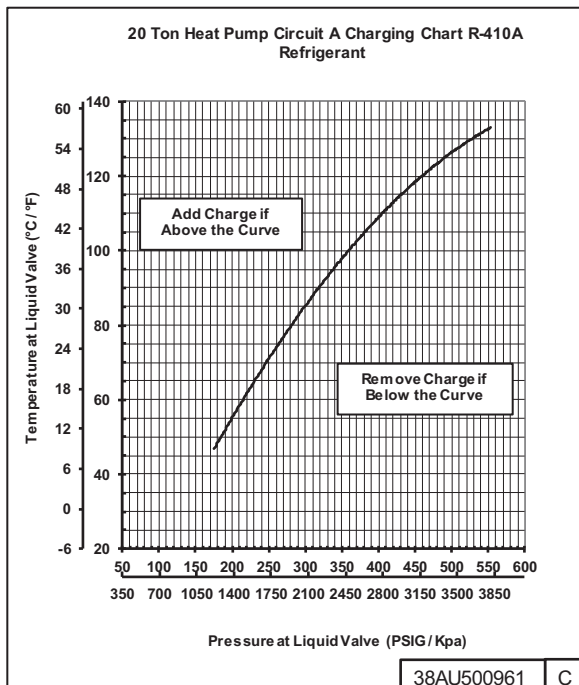


Fig. 16 — CHS243 Charging Chart

OPERATING SEQUENCE

Base Unit Controls

INDOOR (SUPPLY) FAN

If the thermostat fan operation is selected as Continuous, then the indoor (supply) fan motor, which is remotely located in the fan coil, runs continuously. If the thermostat fan operation is selected as Automatic, then the indoor (supply) fan motor runs when there is a call for Cooling or Heating. When thermostat is satisfied, the indoor (supply) fan motor stops. If there is a fan fault or a shutdown condition in the fan coil, then the indoor (supply) fan will not run if there is a call for ventilation, cooling, or heating and the CHS unit will act as if it is not receiving a cooling or heating demand.

COOLING, UNIT WITHOUT ECONOMIZER

When thermostat calls for Cooling, terminal Y1 is energized. The CHS's Defrost Board (DFB) receives this input at P2-5. DFB issues 24-v outputs at OF, P3-7 (RVS1) and P3-10 (COMP1). The OF output energizes outdoor fan relay (OFR); all outdoor fan motors start and run, subject to ambient temperature (refer to Fan Cycling section). The output RVS1 energizes the reversing valve solenoid 1 (RVS1); Reversing Valve 1 switches to Cooling position.

Compressor Lockout Relay (CLR) is energized, closing its normally open contacts and allowing the Defrost Board to accept a Y2 thermostat signal. Loader Control Relay (LCR) is also energized, closing its contacts between terminals 2 and 4 and allowing the compressor loader to get energized once the Defrost Board receives a Y3 thermostat signal.

Output P3-10 (COMP1, 24-v) is received at CADM1 terminal Y. If anti-recycle time delay period has not expired, safety pressure switches are open, and/or lockout alarms are active, then CADM1 relay will remain open, preventing compressor start. When safety pressure switches are closed and CADM1 time delay expires, the CADM1 relay closes, energizing Solenoid Valve Relay SVR1 and compressor contactor C1. SVR1 contacts close, energizing the external liquid line solenoid valve. Solenoid valve LLSV1 opens. Compressor contactor C1 closes, energizing the compressor motor. Compressor 1 starts and system runs in Cooling mode.

On a thermostat call for Stage 2 Cooling, terminal Y2 is energized; 24-v passes through CLR normally open contacts (terminals 2 and 4) and the Defrost Board receives this input at P2-4. DFB issues 24-v at P3-6 (RVS2) and P3-8 (COMP2). Output P3-6 energizes Reversing Valve Solenoid 2 (RVS2); Reversing Valve 2 switches to Cooling position. Output PL3-8 is received at CADM2 terminal Y. If anti-recycle time delay period has not expired, safety pressure switches on Circuit 2 are open, and/or lockout alarms are active, then CADM2 relay will remain open, preventing Compressor 2 start. When safety pressure switches are closed and CADM2 time delay expires, CADM2 relay closes, energizing Solenoid Valve Relay 2 (SVR2) and compressor contactor C2. SVR2 contacts close, energizing the external Liquid Line Solenoid Valve 2 (LLSV2). LLSV2 opens. Compressor contactor C2 closes, energizing the compressor motor on COMP2. Compressor 2 starts and the system runs in second-stage cooling mode.

On a thermostat call for Stage 3 Cooling, terminal X (Y3) is energized. 24-v passes through LCR normally open contacts (terminals 2 and 4) and enters CADM1-Y2. CADM1 DC SOL terminal outputs 24-vdc to the compressor loader plug (LDR) and Compressor 1 operates at full capacity.

As space cooling load is satisfied, thermostat outputs Y3, Y2, and Y1 are sequentially de-energized, removing 24-v at CHS terminals X (Y3), Y2, and Y1. Compressor 1 loader plug is de-energized on Y3 opening. Circuit 2 compressor stops on Y2 opening; SVR2 is de-energized and LLSV2 closes, and CADM2 begins its three-minute anti-recycle time delay. On Y1 opening, Circuit 1 compressor stops, all outdoor fan motors stop, and SVR1 relay is de-energized. Liquid line solenoid valve LLSV1 is de-energized and valve closes. Compressor Lockout Relay and Loader Control Relay are de-energized. CADM1 begins its three-minute anti-recycle time delay.

If either the Loss of Charge (LOC) Switch or High Pressure Switch (HPS) on either circuit opens while Y1, Y2, or Y3 remain energized, then the compressor contactor C and relay SVR on the corresponding circuit are de-energized; compressor stops and liquid line solenoid is de-energized (valve closes). Corresponding CADM initiates a TRIP event (cooling demand sensed at CADM terminal Y but no current is measured at T1, T2, T3 motor sensors); CADM relay opens and RED LED is illuminated. TRIP condition maintains lockout of compressor operation until CADM is manually reset. Reset CADM by cycling unit main power.

Reversing valve solenoid (RVS) is energized in Cooling modes. This solenoid will remain energized until the next Heating mode is initiated.

COOLING, UNIT WITH ECONOMIZER

Refer to fan coil unit installation instructions and economizer accessory installation instructions for operating sequences when system is equipped with accessory economizer.

HEATING

When the thermostat calls for first stage heating, terminal W1 is energized. The CHS's Defrost Board (DFB) receives this input at P2-7. The DFB removes the output at P3-7 (RVS1) and P3-6 (RVS2); the reversing valve solenoids are de-energized and the reversing valves move to Heating position.

DFB issues outputs at OF, P3-10 (COMP1), and P3-8 (COMP2). Outdoor fan relay OFR is energized; all outdoor fan motors run.

Outputs P3-10 (COMP1, 24-v) is received at CADM1 terminal Y and P3-8 (COMP2, 24-v) is received at CADM2 terminal Y. If anti-recycle time delay period has not expired and/or safety pressure switches are open on a particular circuit, then outdoor lockout alarms are active and corresponding CADM relay will remain open, preventing compressor start. When safety pressure switches are closed and CADM1 and 2 time delay expires, the CADM 1 and 2 relay closes, energizing Solenoid Valve Relays SVR1 and 2 and compressor contactors C1 and C2. SVR1 and 2 contacts close, energizing the external liquid line solenoid valves. Solenoid valves LLSV1 and LLSV2 open. Compressor contactors C1 and C2 close, energizing the compressor motors. 24-v is also received at CADM1 terminal Y2 through the Loader Control Relay (LCR) normally closed terminals 3 and 4. CADM1 DC SOL terminal outputs 24-vdc to the compressor loader plug (LDR). Compressors start, running at full capacity, and system runs in Heating mode, providing Stage 1 Heat.

When the space heating load is satisfied terminal W1 is de-energized. Compressors and outdoor fan operations stop. Liquid line solenoid LLSV is de-energized and valve closes. CADM begins its three-minute anti-recycle time delay.

If either the Loss of Charge (LOC) Switch or High Pressure Switch (HPS) on either circuit opens while W1 remains energized, then the compressor contactor C and relay SVR on the corresponding circuit are de-energized; compressor stops and liquid line solenoid is de-energized (valve closes). Corresponding CADM initiates a TRIP event (compressor demand sensed at CADM terminal Y but no current is measured at T1, T2, T3 motor sensors); CADM relay opens and RED LED is illuminated. TRIP condition maintains lockout of compressor operation until CADM is manually reset. Reset CADM by cycling unit main power.

Reversing valve solenoid remains de-energized until the next Cooling cycle is initiated.

DEFROST CYCLE

During the Heating Mode, frost and ice can develop on the outdoor coil. Defrost sequence will clear the frost and ice from the coil by briefly reversing the Heating sequence periodically.

A window to test for a need to run the Defrost cycle opens at a fixed period after the end of the last Defrost cycle or the previous test window closed. The window period is determined by the configuration settings on the DFB's DIP switches (see unit wiring diagram).

If the outdoor coil's Defrost Thermostat 2 switch (DFT2) is closed (shorting DFB terminals DFT2 and DFT2), the Defrost cycle will start. Output at OF is removed; outdoor fans stop during the Defrost cycle. Output P3-6 (RVS2) is energized; reversing valve solenoid RVS1 is energized and reversing valve changes position, placing Circuit 2 in a Cooling mode flow, directing hot gas into the outdoor coil where its heat melts the frost and loosens the ice on the coil face. If DFT1 is also closed, then output P3-7 (RVS1) is removed and RVS1 is energized and changes position, placing Circuit 1 in cooling mode flow.

During the Defrost cycle, output EHEAT is also energized (if not already energized by a thermostat W2 demand); supplemental heater will be energized. During the Defrost Cycle, LED1 on the DFB will be illuminated. The Defrost cycle ends when DFT1 and 2 are both open (as liquid temperature exiting the coil rises above DFT setpoint) or the defrost cycle runs for 10 minutes. Output at EHEAT is removed; supplemental heater will be de-energized (unless thermostat has a W2 demand). Output at OF is restored; outdoor fans start again. Outputs P3-7 (RVS1) and P3-6 (RSV2) are removed; reversing valves return to Heating position.

Defrost cycle is fixed at a maximum 10 minute duration limit. The period to test and initiate a Defrost cycle can be configured for 30, 60, 90 or 120 minutes.

SUPPLEMENTAL HEAT/EMERGENCY HEAT

Supplemental heat type is determined by FHX indoor unit options and accessories. This heat is initiated when the indoor unit W2 terminal is energized by the thermostat. (Or as detailed in "Defrost Cycle" on page 21.) The thermostat may energize W2 as supplemental (second stage) heat at larger space heating demand, or when selected as emergency heat mode. When the space heating demand decreases below the second stage limit, or

emergency heat is turned off, W2 is de-energized, and supplemental heat is turned off.

COOLING AND HEATING SHUTDOWN

Partial or complete cooling or heating functions may shutdown caused by loss of main power, open pressure switches, diagnostic alarms, or open internal compressor protections. See Service section for further details.

FAN CYCLING

The CHS unit is equipped with a temperature switch that will shut down Outdoor Fans 2 and 4 in cooling mode when the outdoor temperature falls below 55°F (13°C) to ensure continuous operation in both stages. The outdoor fan will turn back on when the temperature rises above 60°F (16°C). In heating mode, the temperature switch is bypassed through the Temperature Bypass Relay (TBR), ensuring that all fans run at full speed. See Fig. 17 and 18 for outdoor fan labeling.

MAINTENANCE

These items should be part of a routine maintenance program, to be checked every month or two, until a specific schedule for each can be identified for this installation:

Quarterly Inspection (and 30 days after initial start)

INDOOR SECTION

- Condenser coil cleanliness checked.
- Return air filter replacement
- Outdoor hood inlet filters cleaned
- Fan shaft bearing locking collar tightness checked
- Condensate drain checked

Heating

- Power wire connections
- Fuses ready
- Manual-reset limit switch is closed

See Tables 10 and 11 for unit specific maintenance checklists.

Seasonal Maintenance

These items should be checked at the beginning of each season (or more often if local conditions and usage patterns dictate):

AIR CONDITIONING

- Condenser fan motor mounting bolts tightness
- Compressor mounting bolts
- Condenser fan blade positioning
- Control box cleanliness and wiring condition
- Wire terminal tightness
- Refrigerant charge level
- Evaporator coil cleaning
- Evaporator blower motor amperage

Table 10 — Outdoor Unit Maintenance Checklist

MAINTENANCE CHECKLIST ^a	RECOMMENDED INTERVAL ^b	
	Monthly	Annual
Outdoor unit specific:		
Clear away debris and vegetation near unit.	X	
Inspect cabinet for damage. Replace components that are damaged or severely rusted.		X
Inspect electrical disconnect for proper function. Repair or replace as necessary.		X
Inspect electrical wiring and connections. Tighten loose connections. Inspect and perform functional test of equipment as needed to ensure proper function. Repair or replace damaged or overheated components and wiring.		X
Check refrigerant system subcooling and superheat.		X
Inspect inside of unit. Clean if debris is present.		X
Inspect condenser coil. Clean if dust, dirt, or debris is present. Rinse unit with fresh water. ^c		X ^d
Inspect motor and fan for damage. Make sure fans spin freely.		X

NOTE(S):

- a The above list may not include all maintenance items. Inspection intervals may vary depending on climate and opening hours. Consult your dealer about a service contact for seasonal inspections.
- b Monthly maintenance items and outdoor unit rinsing may be performed by the customer. All other maintenance items and all service work must be performed by a qualified service technician. Read all warning labels.
- c Do not use harsh chemicals or high pressure water on coils. More frequent rinsing is required near a sea coast.
- d Monthly rinsing of the condenser coil is recommended if the unit is located in a corrosive climate.

Table 11 — Indoor Unit Maintenance Checklist

MAINTENANCE CHECKLIST ^a	RECOMMENDED INTERVAL ^b	
	Monthly	Annual
Indoor unit specific: (for accessories refer to unit specific literature)		
Inspect, clean, or replace air filter if dirty.	X	
Inspect and clean blower assembly (includes blower housing, wheel, and motor). Lubricate shaft bearings.		X
Inspect internal and external cabinet. Clean as needed.		X
Inspect electrical disconnect for proper function. Repair or replace as necessary.		X
Inspect electrical components, wiring, and connections. Tighten loose connections. Repair or replace damaged components and wiring.		X
Inspect evaporator coil. Clean if dust, dirt, or debris is present. ^c		X
Clean condensate pan, trap, and drain lines (more frequent maintenance may be required in humid climates - consult your local HVAC dealer).		X
Inspect motor and fan for damage. Make Inspect airflow system (ductwork). Check for leaks and repair as needed.		X

NOTE(S):

- a The above list may not include all maintenance items. Inspection intervals may vary depending on climate and opening hours. Consult your dealer about a service contact for seasonal inspections.
- b Monthly maintenance items and outdoor unit rinsing may be performed by the customer. All other maintenance items and all service work must be performed by a qualified service technician. Read all warning labels.
- c Do not use harsh chemicals or high pressure water on coils. More frequent rinsing is required near a sea coast.

ROUTINE SYSTEM MAINTENANCE

These items should be part of a routine maintenance program, to be checked every month or two, until a specific schedule for each can be identified for this installation:

Quarterly Inspection (and 30 days after initial start)

INDOOR SECTION

- Coil cleanliness checked.
- Return air filter replacement
- Belt tension checked
- Belt condition checked
- Pulley alignment checked
- Fan shaft bearing locking collar tightness checked
- Condensate drain checked
- Blower motor amperage

OUTDOOR SECTION

- Fan motor mounting bolts tightness
- Compressor mounting bolts
- Fan blade positioning
- Control box cleanliness and wiring condition
- Wire terminal tightness
- Refrigerant charge level

ECONOMIZER OR OUTSIDE AIR DAMPER

- Inlet filters condition
- Check damper travel (economizer)
- Check gear and dampers for debris and dirt

SERVICE

Refrigeration System

⚠ CAUTION
<p>EQUIPMENT DAMAGE HAZARD Failure to follow this caution may result in damage to equipment.</p> <p>This system uses R-410A refrigerant which has higher pressures than R-22 and other refrigerants. No other refrigerant may be used in this system. Gauge set, hoses, and recovery system must be designed to handle R-410A refrigerant. If you are unsure consult the equipment manufacturer.</p>

COMPRESSOR OIL

⚠ CAUTION
<p>EQUIPMENT DAMAGE HAZARD Failure to follow this caution may result in damage to equipment.</p> <p>The compressor in an R-410A system uses a polyolester (POE) oil. This oil is extremely hygroscopic, meaning it absorbs water readily. POE oils can absorb 15 times as much water as other oils designed for HCFC and CFC refrigerants. Take all necessary precautions to avoid exposure of the oil to the atmosphere.</p>

SERVICING SYSTEMS ON ROOFS WITH SYNTHETIC MATERIALS

POE (polyolester) compressor lubricants are known to cause long term damage to some synthetic roofing materials. Exposure, even if immediately cleaned up, may cause embrittlement (leading to cracking) to occur in one year or more. When performing any service which may risk exposure of compressor oil to the roof, take appropriate precautions to protect roofing. Procedures which risk oil leakage include but are not limited to compressor replacement, repairing refrigerant leaks, replacing refrigerant components such as filter drier, pressure switch, metering device, coil, accumulator, or reversing valve.

Synthetic Roof Precautionary Procedure:

1. Cover extended roof working area with an impermeable polyethylene (plastic) drop cloth or tarp. Cover an approximate 10 x 10 ft (3.3 x 3.3 m) area.
2. Cover area in front of the unit service panel with a terry cloth shop towel to absorb lubricant spills and prevent run-offs, and protect drop cloth from tears caused by tools or components.
3. Place terry cloth shop towel inside unit immediately under component(s) to be serviced and prevent lubricant run-offs through the louvered openings in the base pan.
4. Perform required service.
5. Remove and dispose of any oil contaminated material per local codes.

LIQUID LINE FILTER DRIER

The factory-provided reversible filter drier is specifically designed to operate with R-410A refrigerant. Replace the filter drier with factory-authorized components only with a filter drier with desiccant made from 100% molecular sieve grade XH-11. Filter drier must be replaced whenever the refrigerant system is opened.

When removing a filter drier, use a tubing cutter to cut the drier from the system. Do not unsweat a filter drier from the system. Heat from unsweating will release moisture and contaminants from drier into system.

FIELD REFRIGERANT ACCESS PORTS

Field service access to refrigerant pressures is through the access ports located at the service valves (see Fig. 17-18). These ports are 1/4 in. SAE Flare couplings with Schrader check valves and service caps. Use these ports to admit nitrogen to the field tubing during brazing, to evacuate the tubing and evaporator coil, to admit initial refrigerant charge into the low-side of the system and when checking and adjusting the system refrigerant charge. When service activities are completed, ensure the service caps are in place and secure; check for leaks. If the Schrader check valve must be removed and re-installed, tighten to 2-3 in.-lb (23-34 N-cm).

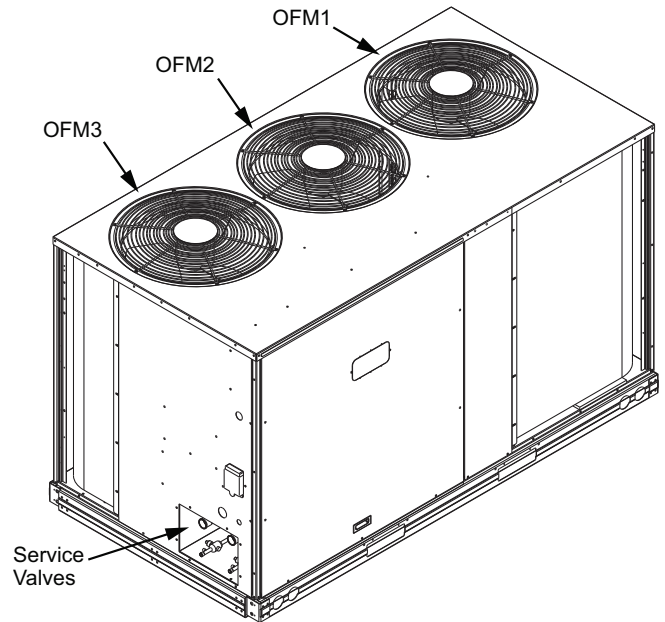


Fig. 17 — CHS183 Exterior

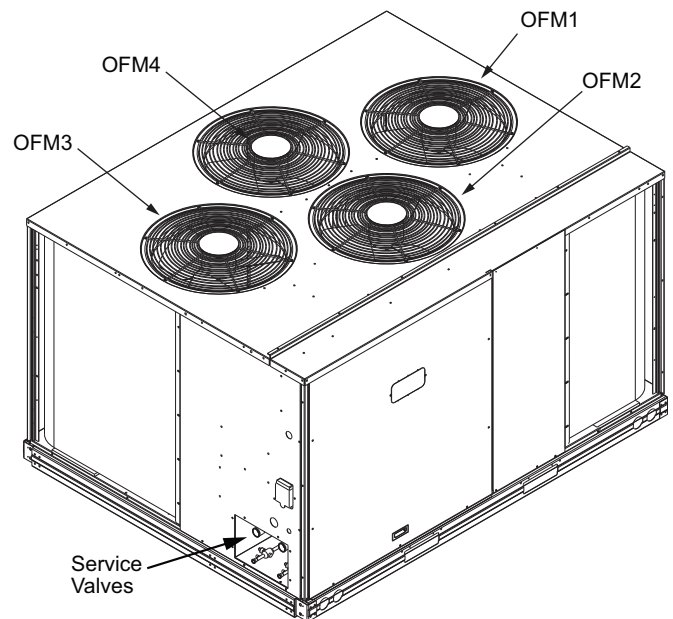


Fig. 18 — CHS243 Exterior

OUTDOOR COIL METERING DEVICES

The metering devices are multiple fixed-bore devices (Acutrol™) swaged into the horizontal outlet tubes from the liquid header, located at the entrance to each evaporator coil circuit path. These are non-adjustable. Service requires replacing the entire liquid header assembly.

To check the indoor coil, disconnect the supply fan signal (A04-A06 direct-drive fans) or contactor (IFC) coil, then start the circuit in a Cooling Mode (jumper R to Y1 or Y2) and observe the frosting pattern on the face of the indoor coil. A frost pattern should develop uniformly across the face of the indoor coil starting at each tube at the Acutrol nipple locations.

To check the outdoor coil, disconnect the outdoor fan motor. Start the circuit in a Heating Mode (jumper R to W1 or W2) and observe the frost pattern on the face of the outdoor coil. Failure to develop frost at an outlet tube can indicate a plugged or a missing orifice.

REFRIGERANT SYSTEM PRESSURE ACCESS PORTS

There are two access ports in each circuit - on the suction tube near the compressor and on the discharge tube near the compressor. (See Fig. 19-20.) These are brass fittings with black plastic caps. The hose connection fittings are standard 1/4 in. SAE Male Flare couplings.

The brass fittings are two-piece High Flow valves, with a receptacle base brazed to the tubing and an integral spring-closed check valve core screwed into the base. (See Fig. 21.) This check valve is permanently assembled into this core body and cannot be serviced separately; replace the entire core body if necessary. Service tools are available from Fast Parts that allow the replacement of the check valve core without having to recover the entire system refrigerant charge. Apply compressor refrigerant oil to the check valve core's bottom o-ring. Install the fitting body with 96 ± 10 in.-lb (1085 ± 23 N-cm) of torque; do not overtighten.

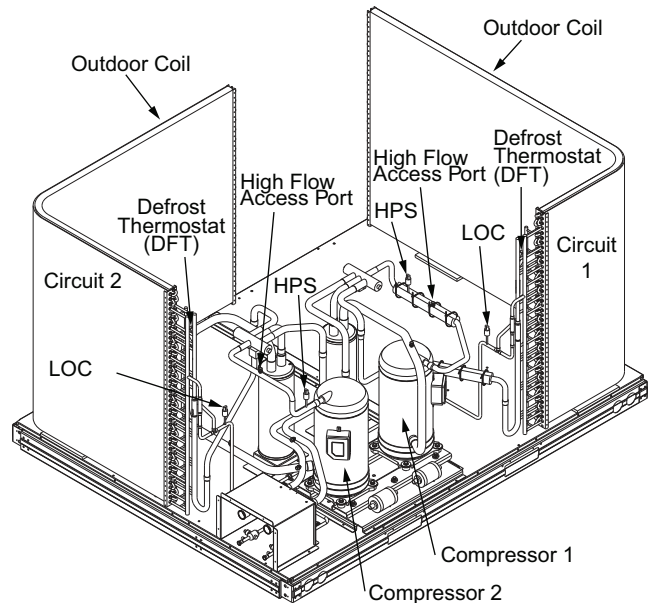


Fig. 20 — CHS243 Interior

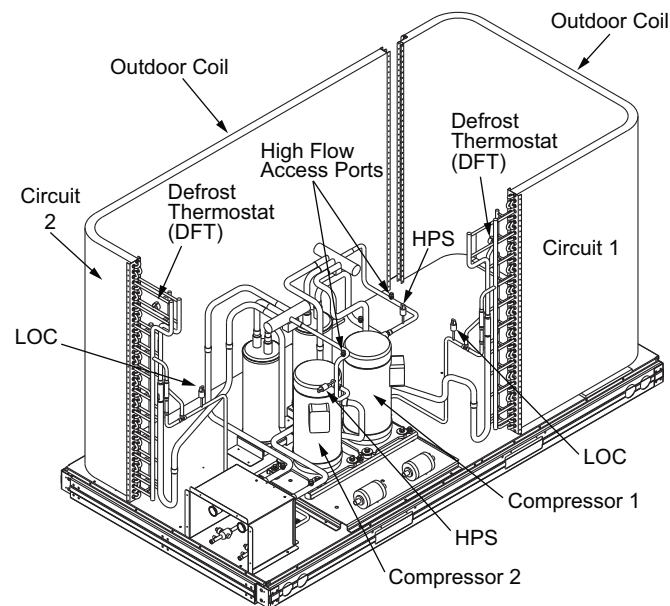


Fig. 19 — CHS183 Interior

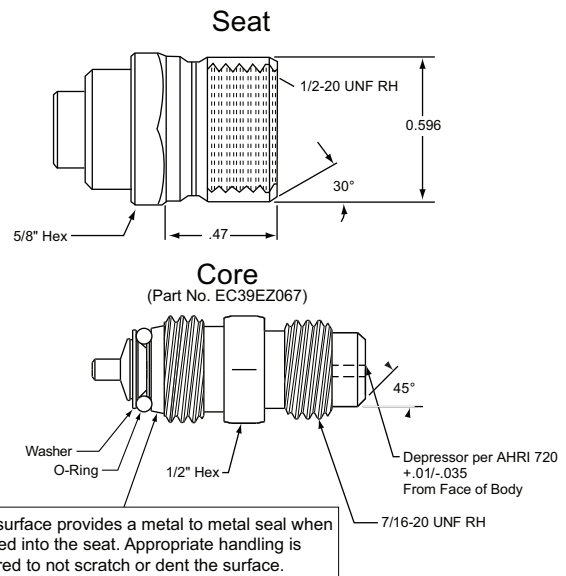


Fig. 21 — CoreMax® Access Port Assembly (P/N 1173177)

Compressor Protection

COMPRESSOR OVERCURRENT

The compressor has internal limbered motor protection.

COMPRESSOR OVERTEMPERATURE PROTECTION (IP)

The compressor has an internal protector to protect it against excessively high discharge gas temperatures.

CRANKCASE HEATER

The heater prevents refrigerant migration and compressor oil dilution during shutdown whenever compressor is not operating. The heater is wired to cycle with the compressor; the heater is off when compressor is running, and on when compressor is off.

1. Third-party trademarks and logos are the property of their respective owners.

The crankcase heater will operate as long as the power circuit is energized. The main disconnect must be on to energize the crankcase heater.

IMPORTANT: Never open any switch or disconnect that energizes the crankcase heater unless unit is being serviced or is to be shut down for a prolonged period. After a prolonged shutdown on a service job, energize the crankcase heater for 24 hours before starting the compressor.

HIGH PRESSURE SWITCH

The system is provided with a high pressure switch mounted on the discharge line. The switch is stem-mounted and brazed into the discharge tube. Trip setting is 630 ± 10 psig (4344 ± 69 kPa) when hot. Reset is automatic at 505 ± 20 psig (3482 ± 140 kPa).

LOSS OF CHARGE SWITCH

The system is protected against a loss of charge and low evaporator coil loading condition by a loss of charge switch located on the liquid line and a freeze protection thermostat on the indoor coil. The switch is stem-mounted. Loss of Charge Switch trip setting is 27 psig ± 3 psig (186 ± 21 kPa). Reset is automatic at 44 ± 5 psig (303 ± 5 kPa).

The factory installed loss of charge pressure switch (LOC) has open/close settings which do not provide indoor coil freeze protection. The control provides a location on terminal board TB2 to add a field supplied indoor coil freeze

protection switch, if additional protection is wanted. The freeze protection switch can be wired into the 24VAC control circuit in series with the high pressure switch and loss of charge switch as shown in Fig. 22. Note that the wire to the compressor contactor must be moved from the LPS terminal to the FPT terminal, as shown.

A recommended indoor coil freeze protection switch is P/N 1179253 ($30^\circ\text{F} \pm 5^\circ\text{F}$ open, $45^\circ\text{F} \pm 5^\circ\text{F}$ close) which can be mounted on a return bend of the indoor coil. For dual-circuits, a separate switch is used for each half of the indoor coil and are wired as shown in Fig. 22.

OUTDOOR FAN MOTOR PROTECTION

The outdoor fan motor is internally protected against overtemperature.

CONTROL CIRCUIT, 24-V

The control circuit is protected against overcurrent conditions by a circuit breaker mounted on control transformer TRAN. Reset is manual.

Commercial Defrost Control

The Commercial Defrost Control Board (DFB) coordinates thermostat demands for supply fan control, 1 or 2 stage cooling, 1 or 2 stage heating, emergency heating and defrost control with unit operating sequences. See Fig. 23 for board arrangement.

The DFB is located in the CHS unit's main control box (see Fig. 24). All connections are factory-wired. Refer to Table 12 for details of DFB Inputs and Outputs.

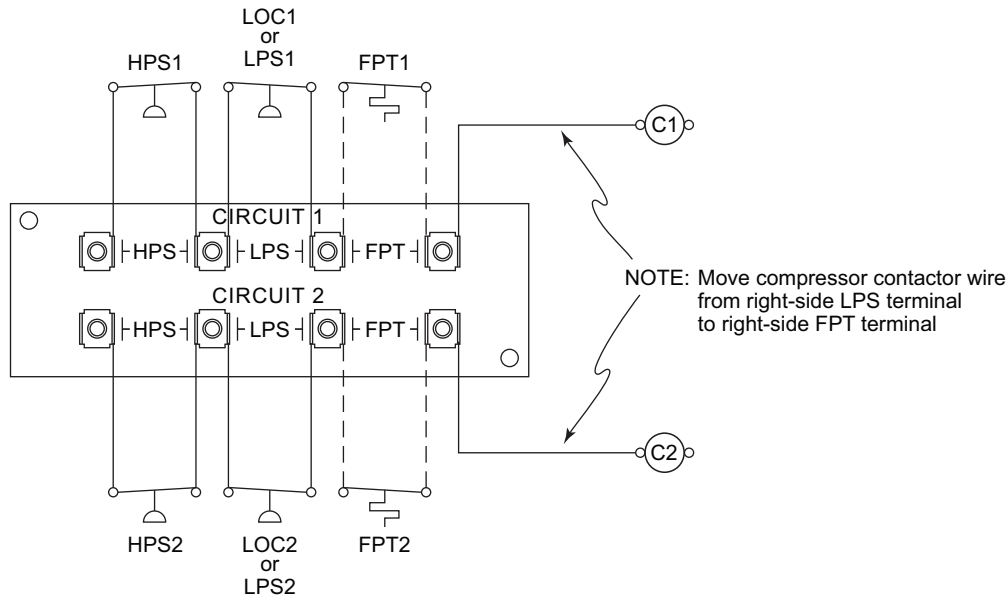
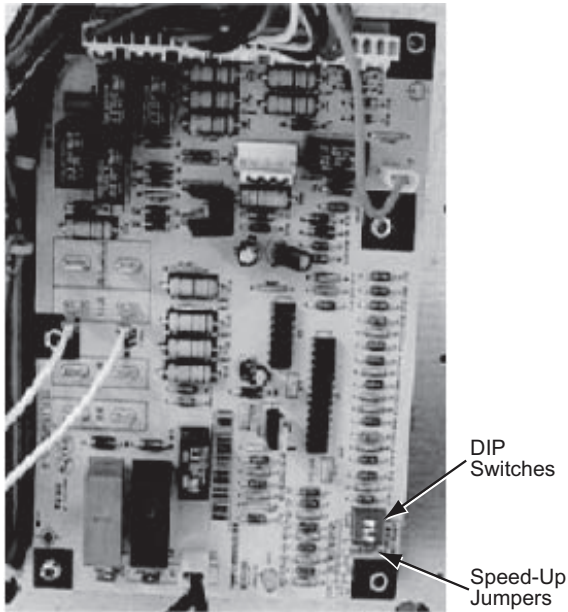


Fig. 22 — Field Wiring of Indoor Coil Freeze Protection Switch (FPT) (Dual Circuit Shown)



REVERSING VALVE CONTROL

The DFB has two outputs for unit reversing valve control. Operation of the reversing valves is based on internal logic; this application does not use an “O” or “B” signal to determine reversing valve position. Reversing valves are energized during the Cooling stages and de-energized during Heating cycles. Once energized at the start of a Cooling stage, the reversing valve will remain energized until the next Heating cycle demand is received. Once de-energized at the start of a Heating cycle, the reversing valves will remain de-energized until the next Cooling stage is initiated.

COMPRESSOR CONTROL

The DFB receives inputs indicating Stage 1 Cooling and Stage 1 Heating from the space thermostat or third-party Building Management System; it generates commands to start compressors with or without reversing valve operation to produce Stage 1 Cooling (one compressor), or Stage 1 Heating (both compressors run).

Fig. 23 — Defrost Control Board (DFB) Arrangement

Table 12 — CHS Defrost Board I/O and Jumper Configurations^a

POINT NAME	TYPE OF I/O	CONNECTION PIN NO.	UNIT CONNECTION	NOTE
INPUTS				
G Fan	DI, 24-vac	P2-3		Not used
Y1 Cool 1	DI, 24-vac	P2-5	TB-Y1	
W1 Heat 1	DI, 24-vac	P2-7	TB-W1	
R Power	24-vac	P3-1	TRAN2	
C Common	24-vac, ground	P3-3	TRAN2	
DFT1 Defrost Switch	DI, 24-vac	DFT-1 to DFT-1	DFB	
DFT2 Defrost Switch	DI, 24-vac	DFT-2 to DFT-2	DFB	
OUTPUTS				
OF OD Fan	DO, 24-vac	OF	OFR	
RVS1	DO, 24-vac	P3-7 to P3-5	RVS1	Energize in COOL
RVS2	DO, 24-vac	P3-6 to P3-4	RVS2	Energize in COOL
COMP 1	DO, 24-vac	P3-10	CADM1-Y	
TB-W2	DO, 24-vac	E-HEAT	HR	
CONFIGURATION				
Select Jumper	24-vac	P1-1		
1 Compressor	24-vac	P1-2		
SPEED-UP CONFIGURATION				
Speed-Up Jumper		JMP17		
Speed-Up Jumper		JMP18		

NOTE(S):

a Jumper for 1-3 secs: Factory Test, defrost runs for 12 seconds or less. Jumper for 5-20 secs: Forced Defrost, defrost runs for 30 secs if DFT2 is open.

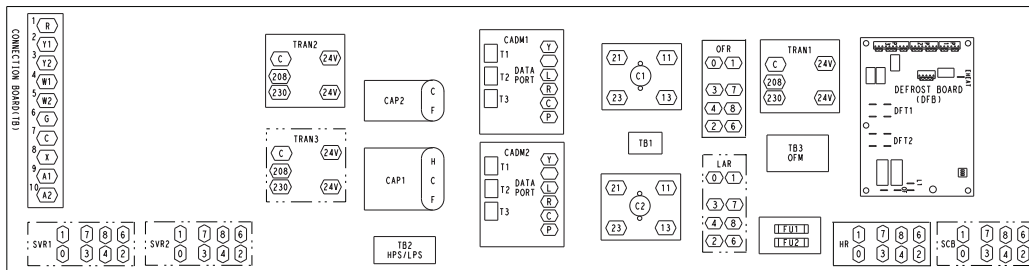


Fig. 24 — Defrost Control Board (DFB) Location

DEFROST

The defrost control mode is a time/temperature sequence. There are two time components: The continuous run period and the test/defrost cycle period. The temperature component is provided by the defrost thermostats (DFT1 and DFT2) mounted on the outdoor coil.

The continuous run period is a fixed time period between the end of the last defrost cycle (or start of the current Heating cycle) during which no defrost will be permitted. This period can be set at 30, 60, 90 or 120 minutes by changing the positions of DIP switches SW1 and SW2 (see Fig. 25 and Table 13). The default run period is 60 minutes.

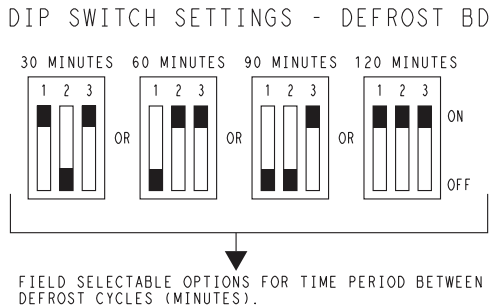


Fig. 25 — DIP Switch Settings — Defrost Board

At the end of the continuous run period, the defrost control will test for a need to defrost. DFT2 (located on the bottom circuit of the outdoor coil) controls the start and termination of the defrost cycle. If DFT2 is still open, the defrost test/run window is closed and the control repeats the continuous run period. If DFT2 is closed, the defrost cycle is initiated in Circuit 2. The defrost period will end when DFT2 opens (indicating the outdoor coil has been cleared of frost and ice) or a 10 minute elapsed period expires, whichever comes first.

Circuit 1's defrost thermostat DFT1 (located on the upper circuit of the outdoor coil) cannot initiate a unit defrost cycle; only DFT2 may do this. But once Circuit 2 is in defrost, the DFB will monitor the status of DFT1. If DFT1 closes during a Circuit 2 defrost cycle, Circuit 1 will also enter a defrost cycle. Circuit 1's defrost cycle will end when DFT1 opens (indicating the upper portion of the outdoor coil is cleared of frost and ice) or the Circuit 2 defrost cycle is terminated.

At the end of the unit defrost cycle, the unit will be returned to Heating cycle for a full continuous run period. If the space heating load is satisfied and compressor operation is terminated, the defrost control will remember where the run period was interrupted. On restart in Heating, the defrost control will resume unit operation at the point in the run period where it was last operating.

DEFROST THERMOSTATS

These are temperature switches that monitor the surface temperature of the outdoor coil circuits. These switches are mounted on the liquid tube exiting the outdoor coil heating circuits. These switches close on temperature drop at 30°F (-1°C) and reset open on temperature rise at 80°F (27°C).

INDOOR FAN OFF DELAY

The DFB can provide a 30 sec delay on Indoor Fan Off if the thermostat's fan selector switch is set on AUTO control. DIP Switch SW3 on the DFB selects use of the fan off time delay feature. Setting SW3 in the OPEN position turns the Fan Off Delay feature on; setting SW3 in the CLOSED position disables this feature. The delay period begins when Y1 demand or W1 demand by the space thermostat is removed.

DEFROST SPEEDUP FUNCTIONS

The DFB permits the servicer to speed-up the defrost cycle. There are two speed-up sequences: relative speed-up and an immediate forced defrost. Speed-up sequences are initiated by shorting jumper wires JMP17 and JMP18 together (see Fig. 23); use a straight-edge screwdriver.

Shorting the jumpers for a period of 1 to 3 secs reduces the defrost timer periods by a factor of 0.1 sec/minute. (For example, the 90 min run period is reduced to 9 secs.) The DFB will step the unit through a Heating cycle and a Defrost cycle using these reduced time periods. This mode ends after the Defrost cycle.

Shorting the jumpers for a period of 5 to 20 secs bypasses the remaining continuous run period and places the unit in a Forced Defrost mode. If the controlling DFT is closed when this mode is initiated, the unit will complete a normal defrost period that will terminate when the controlling DFT opens or the 10 minute defrost cycle limit is reached. If the controlling DFT is open when this mode is initiated, the Defrost cycle will run for 30 secs. Both modes end at the end of the Defrost cycle.

Table 13 — Dip Switch Position

	SWITCH NO.													
	1	2		1	2		1	2		1	2	3		
1	•		1		•	1		1	1	•	•	1		On
0		•	0	•		0	•	•	0			0	•	Off
	30 minutes			60 minutes			90 minutes			120 minutes			Fan Delay	

Comfort Alert Diagnostic Module

The Comfort Alert Diagnostic Module (CADM) monitors and analyzes data from the Copeland Scroll three-phase compressor and the thermostat demand. The CADM also provides a 3-minute anti-recycle time delay to compressor cycling.

The CADM detects causes for electrical and system related failures. Flashing LEDs communicate the Alert codes to guide service technicians in accurately and quickly troubleshooting the system and determining root cause for the failure.

Inputs to the CADM include 24-vac power, demand signal Y, compressor contactor coil (common side) and compressor power leads (from the compressor contactor).

INPUT	TERMINAL	VOLTAGE
Control Power	R	24-V
Control Common	C	24-V
Demand	Y	24-V
Contactor Coil	P	24-V
Compressor T1	T1	Line
Compressor T2	T2	Line
Compressor T3	T3	Line

Control of the compressor contactor coil is through a contact between terminals P and C.

Communications of status and alert conditions is through three LEDs located on the top edge of the module housing (see Fig. 26): POWER (green), ALERT (yellow), and TRIP (red).

The POWER LED indicates the presence of control power to the CADM.

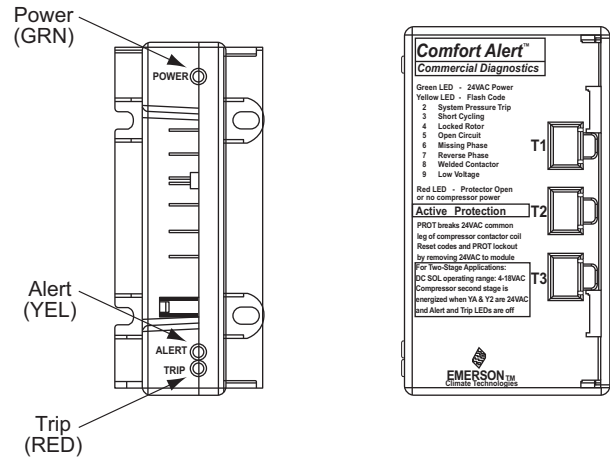


Fig. 26 — CADM Housing/LED Locations

The ALERT LED indicates an abnormal condition exists in the system through a flash code. The ALERT LED will blink a number of times consecutively, pause and then repeat the process. The number of blinks, defined in Table 14, correlates to a particular abnormal condition; troubleshooting tips are provided for each Alert code. Reset of the ALERT may be automatic or manual. If the fault condition causing the Alert is self-corrected, the Alert code will be removed and the CADM will automatically reset and allow the system to restart normally. Manual reset for lockouts requires that main power to the CHS unit be recycled after the cause for the Alert condition has been detected and corrected.

The TRIP LED indicates either a time-delay period is currently active (RED LED is blinking) or the module has locked out the compressor (RED LED is on steady). A lock-out condition will occur for some faults as identified in Table 14. Reset of the TRIP LED requires that unit main power be recycled after the loss of power to the compressor condition has been detected and corrected.

Simultaneous Blinking of YELLOW and RED LEDs indicates control power input to the CADM is low. Check control circuit transformer and wiring.

Troubleshooting the CADM Wiring – Flashing LEDs also indicate wiring problems to the CADM. See Table 15 for discussion of additional LED flash codes and troubleshooting instructions.

Table 14 — LED Status Codes

STATUS LED	STATUS LED DESCRIPTION	STATUS LED TROUBLESHOOTING INFORMATION
Green "POWER"	Module has power	Supply voltage is present at module terminals
Red "TRIP" LED On Solid	Thermostat demand signal Y is present, but the compressor is not running.	<ol style="list-style-type: none"> 1. Compressor protector is open 2. Condensing unit power disconnect is open 3. Compressor circuit breaker or fuse(s) is open 4. Broken supply wires or connector is not making contact 5. Compressor power wires not routed through Comfort Alert 6. Compressor contactor has failed open
Red "TRIP" LED Flashing	The anti-short cycle timer (3 minutes), in module is preventing compressor restart.	
<p>Module locks out compressor when compressor damaging ALERT code appears. Lockout ALERT codes are noted in the Status LED Description. During a compressor lock out, 24VAC power must be removed from module to manually reset.</p>		
Yellow "ALERT" LED On Solid	A short circuit or over current condition exists on PROT terminal.	<ol style="list-style-type: none"> 1. Compressor contactor coil shorted 2. Electrical load too high for PROT circuit (maximum 1 Amp) 3. 24 V AC wired directly to PROT terminal
Yellow "ALERT" Flash Code 2	System Pressure Trip Discharge pressure out of limits or compressor overload (if no high pressure switch in system) LOCKOUT	<ol style="list-style-type: none"> 1. High head pressure 2. Condenser coil poor air circulation (dirty, blocked, damaged) 3. Condenser fan is not running 4. If low pressure switch is open: Refer to Code 3 for troubleshooting
Yellow "ALERT" Flash Code 3	Short Cycling Compressor is running only briefly LOCKOUT	<ol style="list-style-type: none"> 1. If low pressure switch is open: <ol style="list-style-type: none"> a. Low refrigerant charge b. Evaporator blower is not running c. Evaporator coil is frozen d. Faulty metering device e. Condenser coil is dirty f. Liquid line restriction (filter drier blocked if present) 2. If high pressure switch is open, go to Flash Code 2 information 3. Intermittent thermostat demand signal 4. System or control board defective
Yellow "ALERT" Flash Code 4	Locked Rotor LOCKOUT	<ol style="list-style-type: none"> 1. Low line voltage to compressor 2. Excessive liquid refrigerant in compressor 3. Compressor bearings are seized
Yellow "ALERT" Flash Code 5	Open Circuit	<ol style="list-style-type: none"> 1. Condensing unit power disconnect is open 2. Compressor circuit breaker or fuses are open 3. Compressor contactor has failed open 4. High pressure switch is open and requires manual reset 5. Broken supply wires or connector is not making contact 6. Unusually long compressor protector reset time due to extreme ambient temperature 7. Compressor windings are damaged
Yellow "ALERT" Flash Code 6	Missing Phase LOCKOUT	<ol style="list-style-type: none"> 1. Compressor fuse is open on one phase 2. Broken wire or connector on one phase 3. Compressor motor winding is damaged 4. Utility supply has dropped one phase
Yellow "ALERT" Flash Code 7	Reverse Phase LOCKOUT	<ol style="list-style-type: none"> 1. Compressor running backward due to supply phase reversal
Yellow "ALERT" Flash Code 8	Welded Contactor Compressor always runs	<ol style="list-style-type: none"> 1. Compressor contactor has failed closed 2. Thermostat demand signal not connected to module
Yellow "ALERT" Flash Code 9	Low Voltage Control circuit < 18VAC	<ol style="list-style-type: none"> 1. Control circuit transformer is overloaded 2. Low line voltage to compressor

Table 15 — CADM Troubleshooting

MISWIRED MODULE INDICATION	RECOMMENDED TROUBLESHOOTING ACTION
Green LED is not on, module does not power up	Determine if both R and C module terminals are connected. Verify voltage is present at module's R and C terminals. NOTE: The CADM requires a constant nominal 24VAC power supply. The wiring to the module's R and C terminals must be directly from the control transformer. The module cannot receive its power from another device that will interrupt the 24VAC power supply. See Fig. A-F in Appendix B for the CHS power wiring diagrams.
Green LED Intermittent, module powers up only when compressor runs	Determine if R and Y terminals are wired in reverse. Verify module's R and C terminals have a constant source. See "NOTE" above for details on R and C wiring.
TRIP LED is on but system and compressor check OK	Verify Y terminal is wired properly per the CHS wiring diagram (see Fig. A-F in Appendix B). Verify voltage at contactor coil falls below 0.5VAC when off. Verify 24VAC is present across Y and C when thermostat demand signal is present. If not, R and C are reverse wired.
TRIP LED and ALERT LED flashing together	Verify R and C terminals are supplied with 19-28VAC.
ALERT Flash Code 3 (Compressor Short Cycling) displayed incorrectly	Verify Y terminal is connected to 24VAC at contactor coil. Verify voltage at contactor coil falls below 0.5VAC when off.
ALERT Flash Code 5 or 6 (Open Circuit, Missing Phase) displayed incorrectly	Check that compressor T1 and T3 wires are through module's current sensing holes. Verify Y terminal is connected to 24VAC at contactor coil. Verify voltage at contactor coil falls below 0.5VAC when off.
Alert Flash Code * (Welded Contactor) displayed incorrectly	Determine if module's Y terminal is connected. Verify Y terminal is connected to 24VAC at contactor coil. Verify 24VAC is present across Y and C when thermostat demand signal is present. If not, R and C are reverse wired. Verify voltage at contactor coil falls below 0.5VAC when off.

Outdoor Fans

Each fan is supported by a formed-wire mount bolted to the fan deck and covered with a wire guard. Fan motors have permanently lubricated bearings.

1. Shut off unit power supply. Install lockout tag.
2. Remove outdoor fan assembly (grille, motor, and fan).
3. Loosen fan hub setscrews.
4. Adjust fan height as shown in Fig. 27.
5. Tighten setscrews to 84 in.-lb (949 N-cm).
6. Replace outdoor fan assembly.

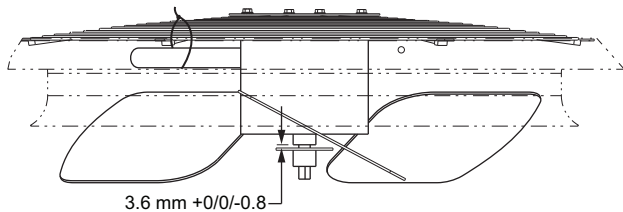


Fig. 27 — Outdoor Fan Blade Position

Lubrication

FAN MOTORS

The fan motors have sealed bearings. No provisions are made for lubrication.

COMPRESSOR

The compressor has its own oil supply. Loss of oil due to a leak in the system should be the only reason for adding oil after the system has been in operation.

Outdoor Coil Maintenance and Cleaning Recommendation

Routine cleaning of coil surfaces is essential to maintain proper operation of the unit. Elimination of contamination and removal of harmful residues will greatly increase the life of the coil and extend the life of the unit. The following maintenance and cleaning procedures are recommended as part of the routine maintenance activities to extend the life of the coil.

REMOVE SURFACE LOADED FIBERS

Surface loaded fibers or dirt should be removed with a vacuum cleaner. If a vacuum cleaner is not available, a soft non-metallic bristle brush may be used. In either case, the tool should be applied in the direction of the fins. Coil surfaces can be easily damaged (fin edges can be easily bent over and damage the coating of a protected coil) if the tool is applied across the fins.

NOTE: Use of a water stream, such as a garden hose, against a surface loaded coil will drive the fibers and dirt into the coil. This will make cleaning efforts more difficult. Surface loaded fibers must be completely removed prior to using low velocity clean water rinse.

PERIODIC CLEAN WATER RINSE

A periodic clean water rinse is very beneficial for coils that are applied in coastal or industrial environments. However, it is very important that the water rinse is made with very low velocity water stream to avoid damaging the fin edges. Periodic cleaning as described below is recommended.

⚠ CAUTION
PERSONAL INJURY AND UNIT DAMAGE HAZARD
Failure to follow this caution may result in personal injury or equipment damage.
Only approved cleaning is recommended.

ROUTINE CLEANING OF INDOOR COIL SURFACES

Periodic cleaning with Totaline® environmentally sound coil cleaner is essential to extend the life of coils. This cleaner is available from Fast Parts as P/N 1178704 for one gallon container, and P/N 1178705 for a 5 gallon container. It is recommended that all coils, including standard aluminum, pre-coated, copper/copper or e-coated coils be cleaned with the Totaline environmentally sound coil cleaner as described below. Coil cleaning should be part of the unit's regularly scheduled maintenance procedures to ensure long life of the coil. Failure to clean the coils may result in reduced durability in the environment.

Avoid the use of:

- coil brighteners
- acid cleaning prior to painting
- high pressure washers
- poor quality water for cleaning

Totaline environmentally sound coil cleaner is nonflammable, hypoallergenic, non bacterial, and a USDA accepted biodegradable agent that will not harm the coil or surrounding components such as electrical wiring, painted metal surfaces, or insulation. Use of non-recommended coil cleaners is strongly discouraged since coil and unit durability could be affected.

Totaline Environmentally Sound Coil Cleaner Application Equipment:

- 2-1/2 gallon garden sprayer
- Water rinse with low velocity spray nozzle

CAUTION

UNIT DAMAGE HAZARD

Failure to follow this caution may result in corrosion and damage to the unit.

Harsh chemicals, household bleach or acid or basic cleaners should not be used to clean outdoor or indoor coils of any kind. These cleaners can be very difficult to rinse out of the coil and can accelerate corrosion at the fin/tube interface where dissimilar materials are in contact. If there is dirt below the surface of the coil, use the Totaline environmentally sound coil cleaner as described above.

CAUTION

UNIT RELIABILITY HAZARD

Failure to follow this caution may result in reduced unit performance

High velocity water from a pressure washer, garden hose, or compressed air should never be used to clean a coil. The force of the water or air jet will bend the fin edges and increase airside pressure drop.

Totaline Environmentally Sound Coil Cleaner Application Instructions:

NOTE: Proper eye protection such as safety glasses is recommended during mixing and application.

1. Turn off unit power.
2. Remove screws holding rear corner post and top cover in place. Pivot top cover up 12 to 18 inches (305 to 457 mm) and support with a rigid support. See Fig. 28.

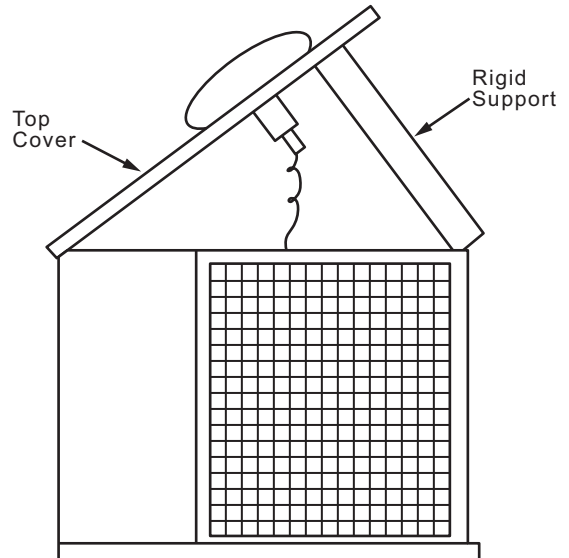


Fig. 28 — Pivot and Support Top Cover

3. Remove all surface loaded fibers and dirt with a vacuum cleaner. If a vacuum cleaner is not available, a soft non-metallic bristle brush may be used. In either case, the tool should be applied in the direction of the fins. Coil surfaces can be easily damaged (fin edges can be easily bent over and damage to the coating of a protected coil) if the tool is applied across the fins.

NOTE: Use of a water stream, such as a garden hose, against surface loaded coil will drive the fibers and dirt into the coil, making cleaning efforts more difficult. Surface loaded fibers must be completely removed prior to using low velocity clean water rinse.

4. Using a low velocity garden hose thoroughly wet finned surfaces with clean water. Be careful not to bend the fins.
5. Mix Totaline environmentally sound coil cleaner in a 2-1/2 gallon garden sprayer according to the instructions included with the cleaner. The optimum solution temperature is 100°F (38°C).

NOTE: Do NOT USE water in excess of 130°F (54°C), as the enzymatic activity will be destroyed.

6. Thoroughly apply Totaline environmentally sound coil cleaner solution to all coil surfaces including the finned area, tube sheets and coil headers.
7. Hold garden sprayer nozzle close to finned areas and apply cleaner with a vertical, up-and-down motion. Avoid spraying in horizontal pattern to minimize potential for fin damage.
8. Ensure cleaner thoroughly penetrates deep into finned areas.
9. Interior and exterior finned areas must be thoroughly cleaned.
10. Finned surfaces should remain wet with cleaning solution for 10 minutes.
11. Ensure surfaces are not allowed to dry before rinsing. Reapply cleaner as needed to ensure 10-minute saturation is achieved.
12. Thoroughly rinse all surfaces with low velocity clean water using downward rinsing motion of water spray nozzle. Protect fins from damage from the spray nozzle.
13. Replace top cover and rear corner posts.

FASTENER TORQUE VALUES

Compressor mounting bolts	65-75 in.-lb (734-847 N-cm)
Condenser fan motor mounting bolts	20 ±2 in.-lb (226 ±23 N-cm)
Condenser fan hub setscrew	84 ±2 in.-lb (949 ±136 N-cm)
High-flow service port	96 ±10 in.-lb (1085 ±23 N-cm)
Schrader-type service check valve	2-3 in.-lb (23-34 N-cm)
Compressor oil sight glass thread	330±31 in.-lb (23-34 N-cm)
Compressor to Compressor rail torque	120-168 in.-lb (1356-1898 N-cm)
Compressor rail to base pan torque	70 ±5 in.-lb (791 ±57 N-cm)

TROUBLESHOOTING

PROBLEM	CAUSE	REMEDY
Compressor and Outdoor Fan Will Not Start.	Power failure.	Call power company.
	Fuse blown or circuit breaker tripped.	Replace fuse or reset circuit breaker. Determine root cause.
	Defective thermostat, contactor, transformer, control relay, or capacitor.	Replace component.
	Insufficient line voltage.	Determine cause and correct.
	Incorrect or faulty wiring.	Check wiring diagram and rewire correctly.
	Thermostat setting too high.	Lower thermostat setting below room temperature.
	High pressure switch tripped.	See problem "Excessive head pressure."
	Low pressure switch tripped.	Check system for leaks. Repair as necessary.
	Freeze-up protection thermostat tripped.	See problem "Suction pressure too low."
Compressor Will Not Start But Outdoor Fan Runs.	Fan fault or shutdown condition in fan coil unit active, preventing thermostat signals passing from fan coil unit to CHS.	Reset address fault in VFD (FHX).
	Faulty wiring or loose connections in compressor circuit.	Check wiring and repair or replace.
	Compressor motor burned out, seized, or internal overload open.	Determine cause. Replace compressor or allow enough time for internal overload to cool and reset.
	Defective run/start capacitor, overload, start relay.	Determine cause and replace compressor.
Compressor Cycles (Other Than Normally Satisfying Thermostat).	One leg of 3-phase power dead.	Replace fuse or reset circuit breaker. Determine cause.
	Refrigerant overcharge or undercharge.	Recover refrigerant, evacuate system, and recharge to nameplate.
	Defective compressor.	Replace and determine cause.
	Insufficient line voltage.	Determine cause and correct.
	Blocked outdoor coil or dirty air filter.	Determine cause and correct.
	Defective run/start capacitor, overload, or start relay.	Determine cause and replace.
	Defective thermostat.	Replace thermostat.
	Faulty outdoor-fan (cooling) or indoor-fan (heating) motor or capacitor.	Replace.
Compressor Operates Continuously.	Restriction in refrigerant system.	Locate restriction and remove.
	Dirty air filter.	Replace filter.
	Unit undersized for load.	Decrease load or increase unit size.
	Thermostat set too low (cooling).	Reset thermostat.
	Low refrigerant charge.	Locate leak; repair and recharge.
	Air in system.	Recover refrigerant, evacuate system, and recharge.
Compressor Makes Excessive Noise.	Outdoor coil dirty or restricted.	Clean coil or remove restriction.
	Compressor rotating in the wrong direction.	Reverse the 3-phase power leads as described in Start-Up.
Excessive Head Pressure.	Dirty outside air or return air filter (heating).	Replace filter.
	Dirty outdoor coil (cooling).	Clean coil.
	Refrigerant overcharged.	Recover excess refrigerant.
	Air in system.	Recover refrigerant, evacuate system, and recharge.
	Condensing air restricted or air short-cycling.	Determine cause and correct.
Head Pressure Too Low.	Low refrigerant charge.	Check for leaks; repair and recharge.
	Compressor scroll plates defective.	Replace compressor.
	Restriction in liquid tube.	Remove restriction.
Excessive Suction Pressure.	High heat load.	Check for source and eliminate.
	Compressor scroll plates defective.	Replace compressor.
Suction Pressure Too Low.	Refrigerant overcharged.	Recover excess refrigerant.
	Dirty air filter (cooling).	Replace filter.
	Dirty or heavily iced outdoor coil (heating).	Clean outdoor coil. Check defrost cycle operation.
	Low refrigerant charge.	Check for leaks; repair and recharge.
	Metering device or low side restricted.	Remove source of restriction.
	Insufficient indoor airflow (cooling mode).	Increase air quantity. Check filter and replace if necessary.
	Temperature too low in conditioned area.	Reset thermostat.
	Field-installed filter drier restricted.	Replace.
	Outdoor ambient below 25°F (cooling).	Install low-ambient kit.
Outdoor fan motor(s) not operating (heating).	Check fan motor operation.	

APPENDIX A — AIR CONDITIONER AND HEAT PUMP WITH R-410A — QUICK REFERENCE GUIDE

- R-410A refrigerant operates at 50 percent to 70 percent higher pressures than R-22. Be sure that servicing equipment and replacement components are designed to operate with R-410A refrigerant.
- R-410A refrigerant cylinders are rose colored.
- Recovery cylinder service pressure rating must be 400 psig, DOT 4BA400 or DOT BW400.
- R-410A systems should be charged with liquid refrigerant. Use a commercial type metering device in the manifold hose when charging into suction line with compressor operating.
- Manifold sets should be 700 psig high side and 180 psig low side with 550 psig low-side retard.
- Use hoses with 700 psig service pressure rating.
- Leak detectors should be designed to detect HFC refrigerant.
- R-410A, as with other HFCs, is only compatible with POE oils.
- Vacuum pumps will not remove moisture from oil.
- Use only factory specified liquid-line filter driers with rated working pressures greater than 600 psig.
- Do not install a suction-line filter drier in liquid-line.
- POE oils absorb moisture rapidly. Do not expose oil to atmosphere.
- POE oils may cause damage to certain plastics and roofing materials.
- Wrap all filter driers and service valves with wet cloth when brazing.
- A liquid-line filter drier is required on every unit.
- Do not use an R-22 TXV.
- If indoor unit is equipped with a TXV, it must be changed to a R-410A TXV.
- Never open system to atmosphere while it is under a vacuum.
- When system must be opened for service, recover refrigerant, break vacuum with dry nitrogen before opening system.
- Always replace filter drier after opening system for service.
- Do not vent R-410A refrigerant into the atmosphere.
- Do not use capillary tube coils.
- Observe all warnings, cautions, and bold text.
- All R-410A heat pumps must have indoor TXV.
- Do not leave R-410A suction line driers in place for more than 72 hours.

APPENDIX B — WIRING DIAGRAM LIST

WIRING TYPE	CHS SIZE	ELECTRICAL CHARACTERISTICS	DIAGRAM NUMBER	PAGE NUMBER
POWER WIRING	183	208/230-3-60	38AU501330	35
		460-3-60	38AU501331	36
		575-3-60	38AU501329	37
	243	208/230-3-60	38AU501333	38
		460-3-60	38AU501334	39
		575-3-60	38AU501332	40
CONTROL WIRING	183, 243	208/230-3-60, 460-3-60, 575-3-60	38AU501328	41

APPENDIX B — WIRING DIAGRAM LIST (CONT)

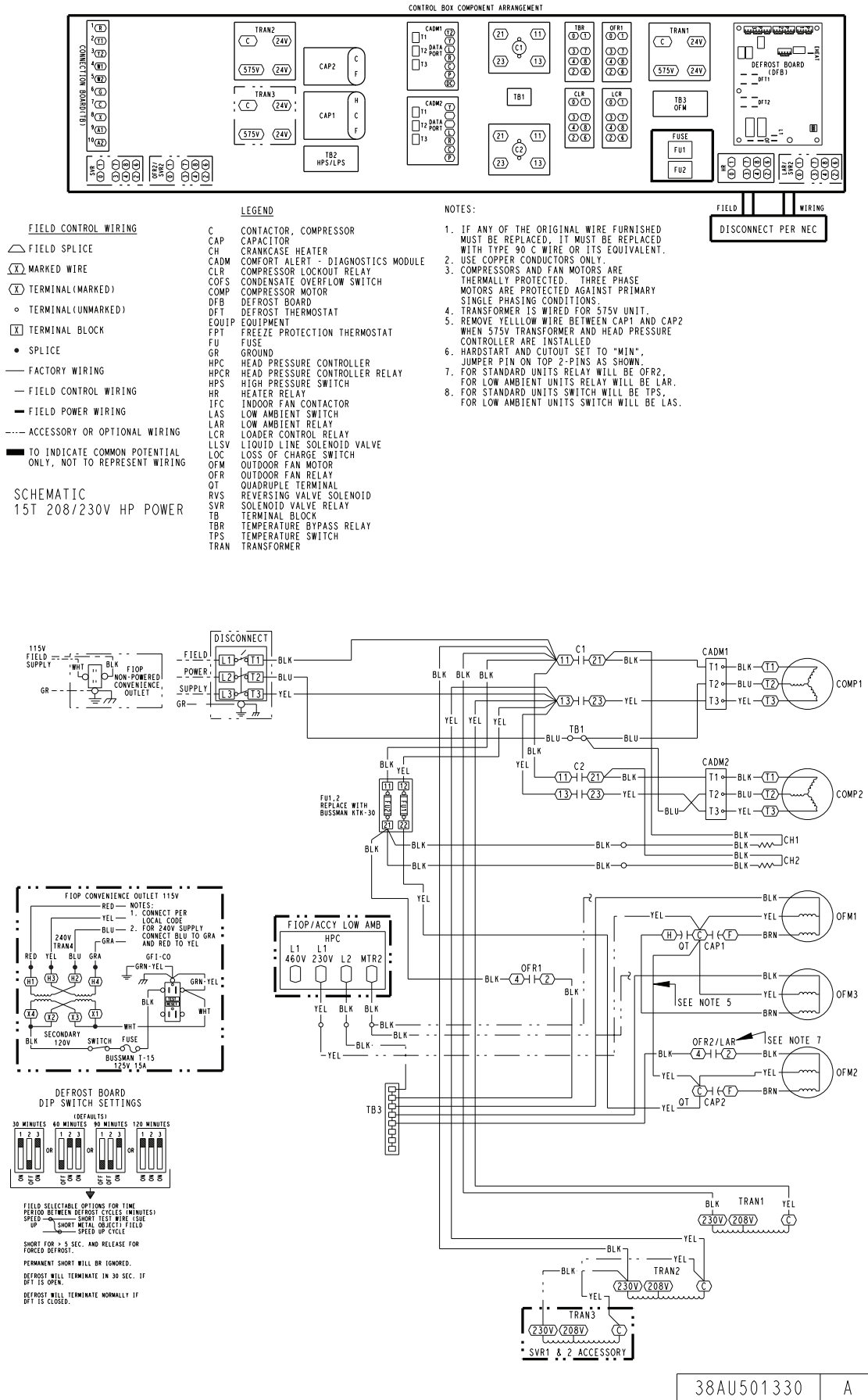


Fig. A — CHS183 Power Schematic (208/230-3-60 shown)

APPENDIX B — WIRING DIAGRAM LIST (CONT)

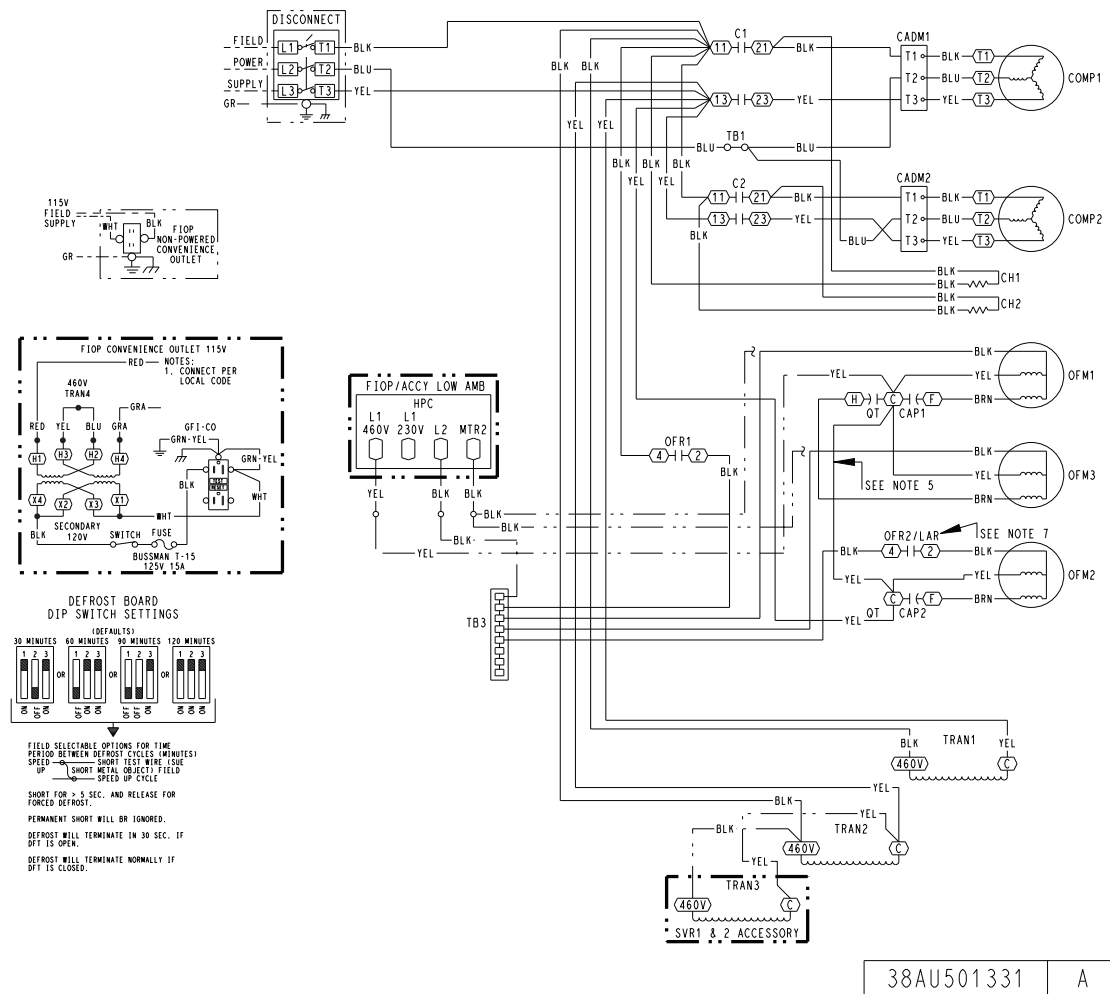
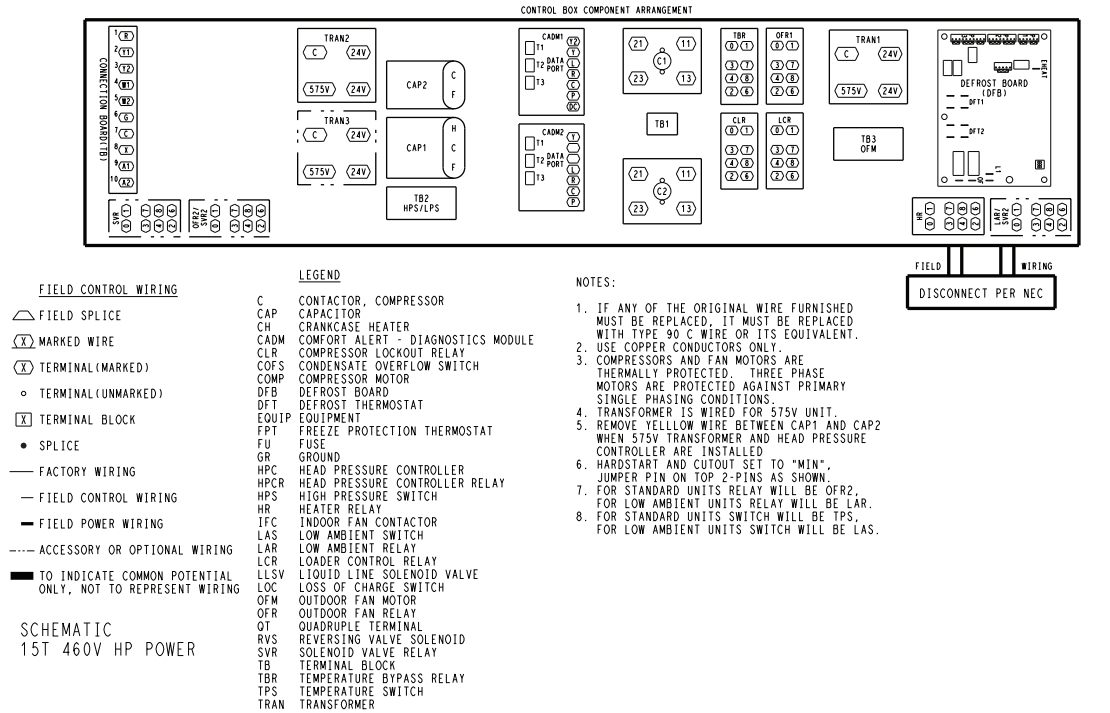
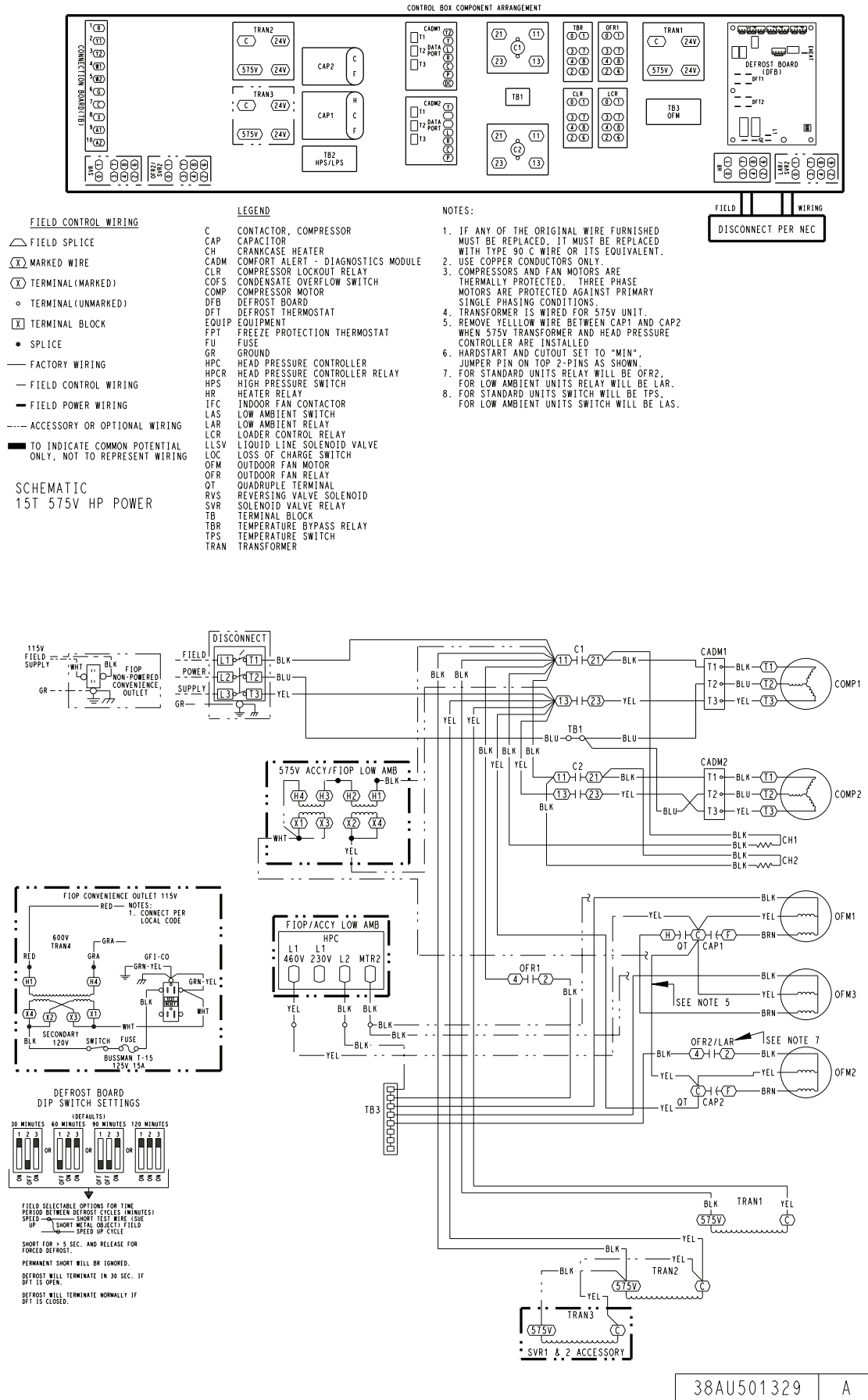


Fig. B — CHS183 Power Schematic (460-3-60 shown)

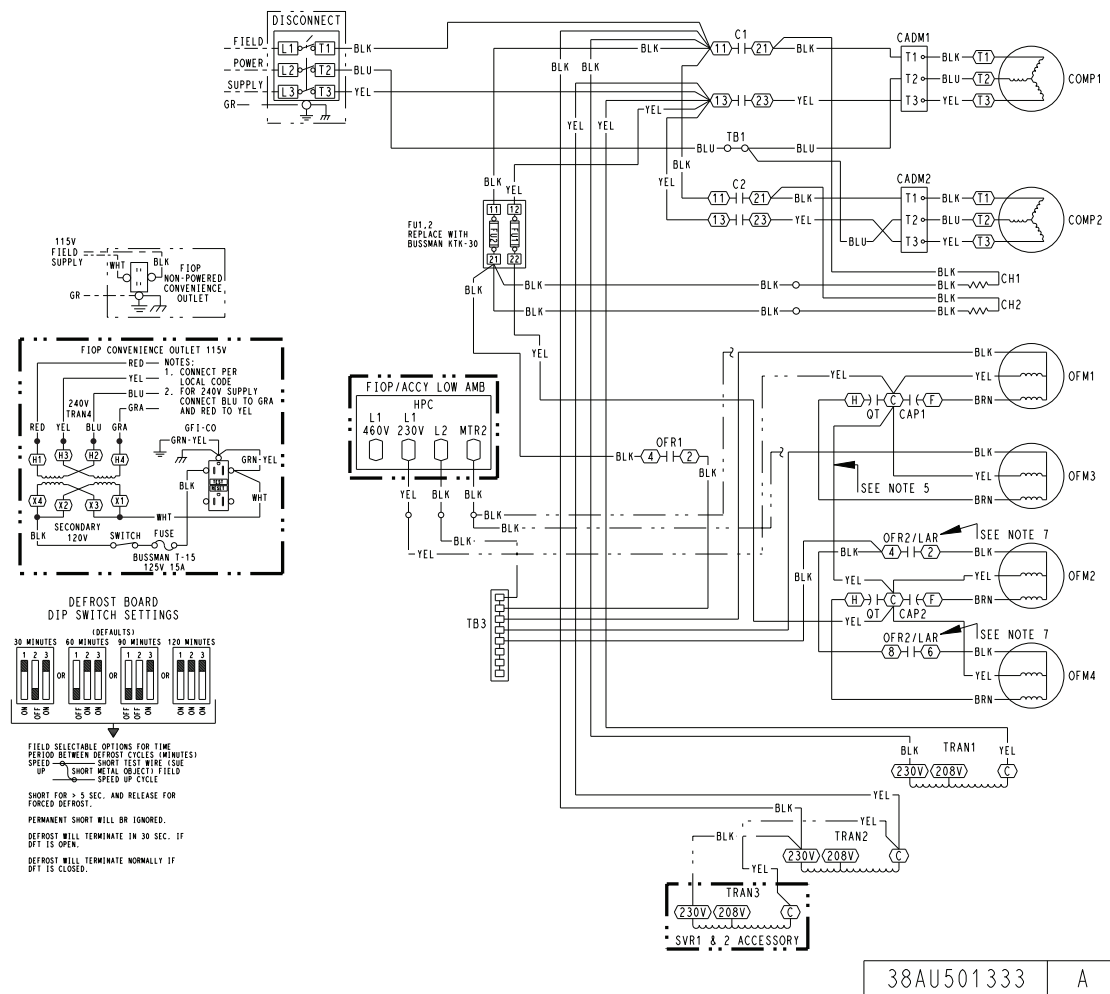
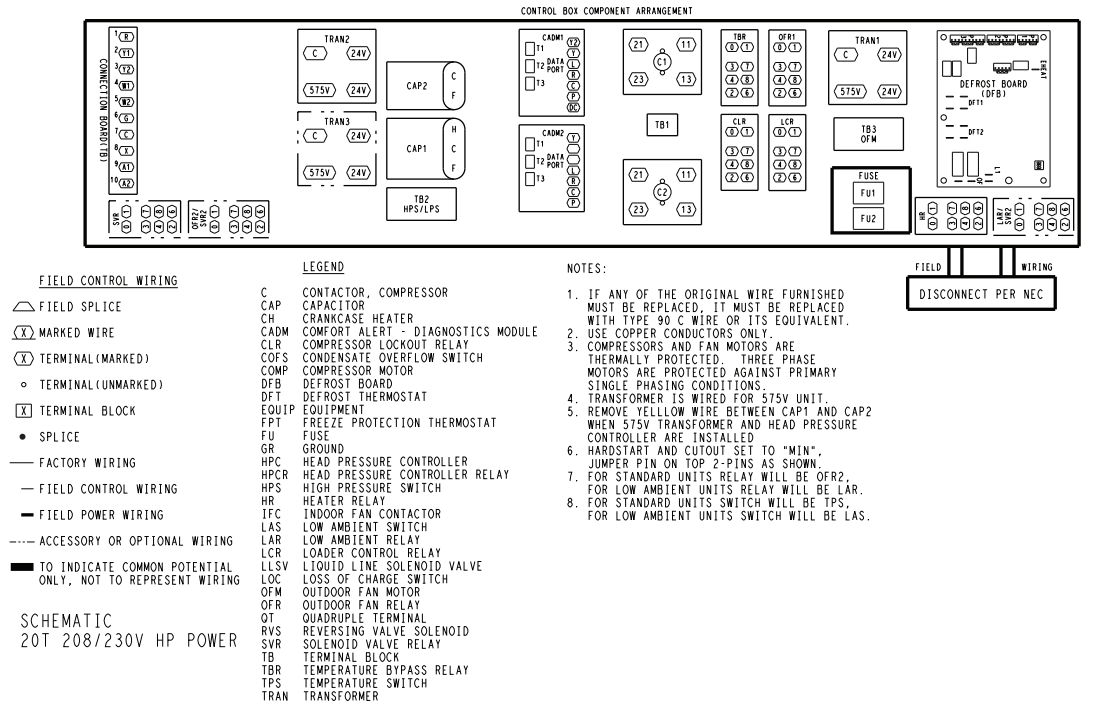
APPENDIX B — WIRING DIAGRAM LIST (CONT)



38AU501329 A

Fig. C — CHS183 Power Schematic (575-3-60 shown)

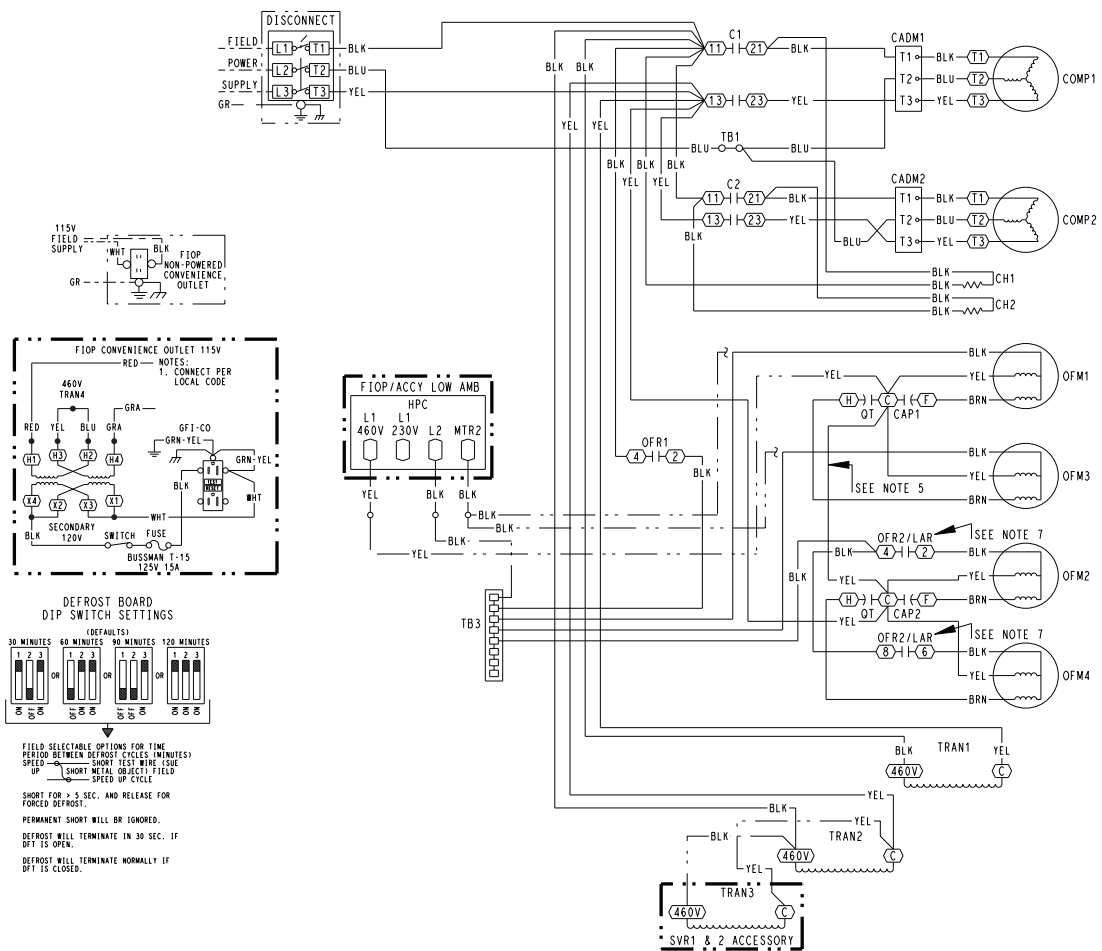
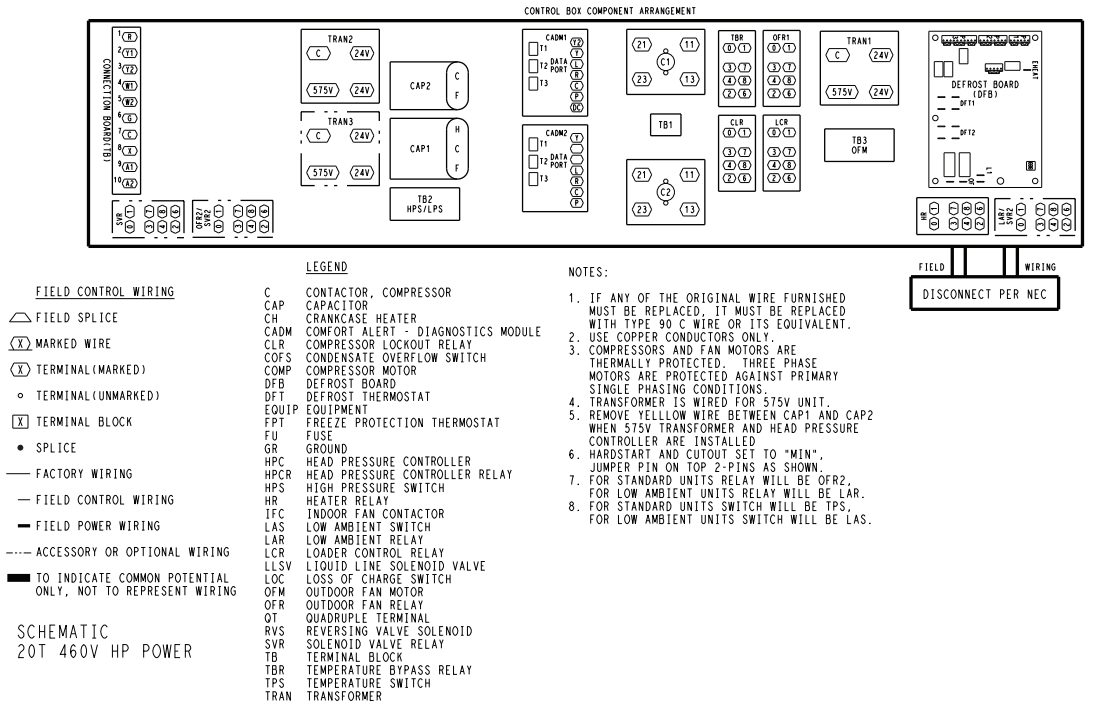
APPENDIX B — WIRING DIAGRAM LIST (CONT)



38AU501333 A

Fig. D — CHS243 Power Schematic (208/230-3-60 shown)

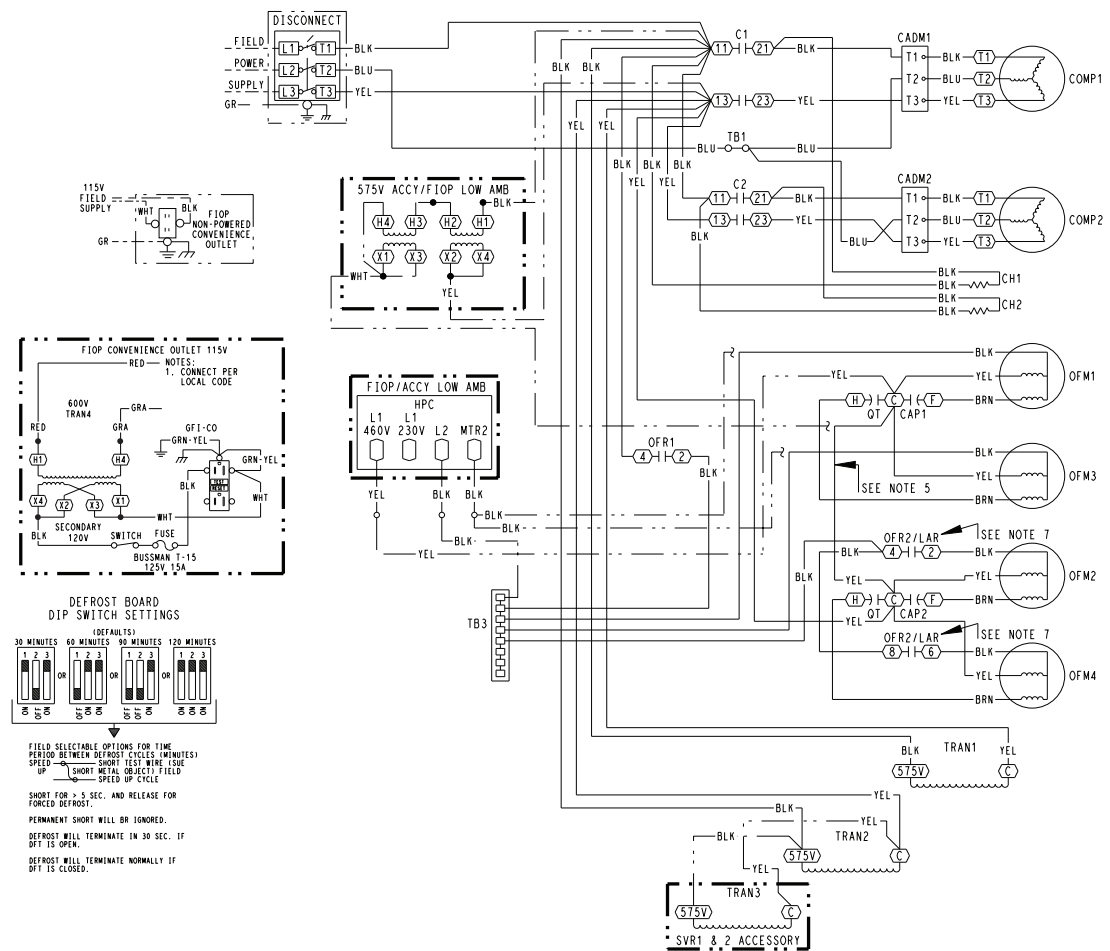
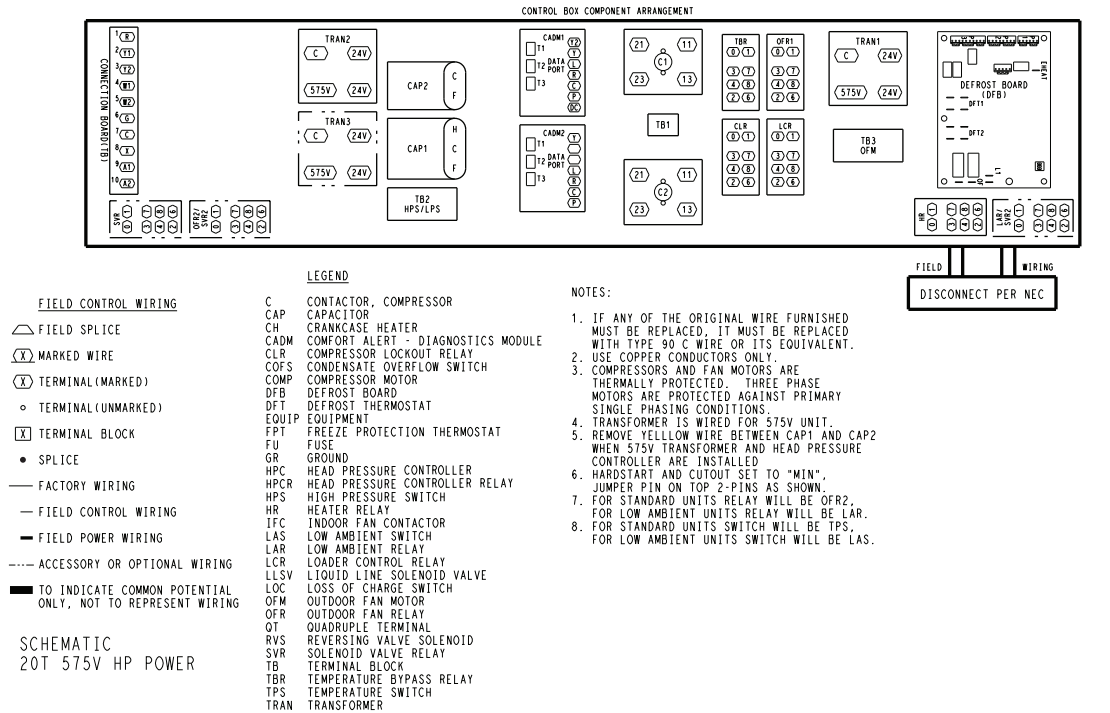
APPENDIX B — WIRING DIAGRAM LIST (CONT)



38AU501334 A

Fig. E — CHS243 Power Schematic (460-3-60 shown)

APPENDIX B — WIRING DIAGRAM LIST (CONT)



38AU501332 | A

Fig. F — CHS243 Power Schematic (575-3-60 shown)

APPENDIX B — WIRING DIAGRAM LIST (CONT)

CONTROL SCHEMATIC
15-20T HP CONTROLS ALL VOLTS

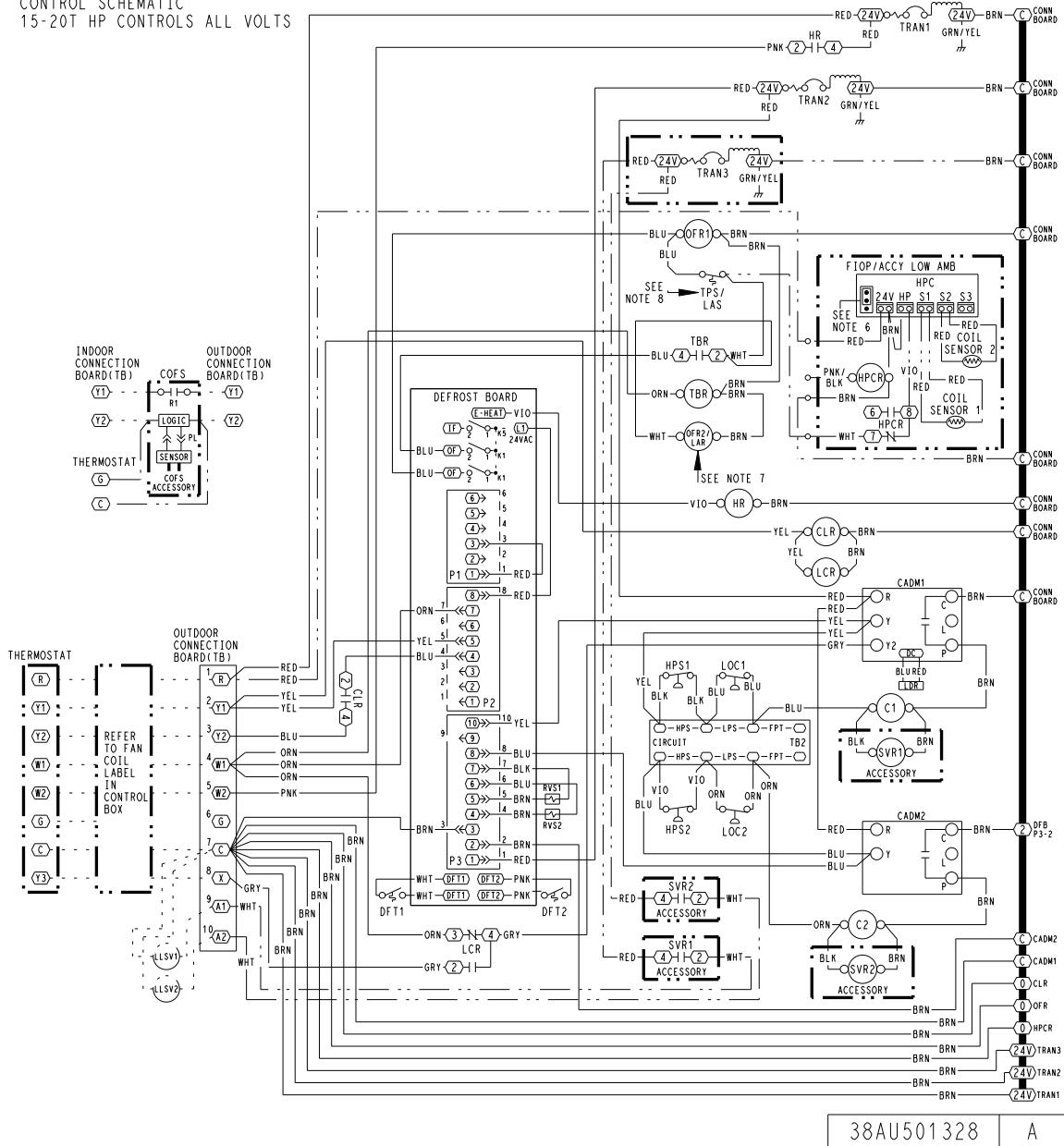


Fig. G — CHS183-243 Control Schematic

APPENDIX C — LOW AMBIENT OPTION — FACTORY INSTALLED

Units with the factory installed low ambient option are equipped with a low ambient head pressure control which regulates fan speed. Two temperature sensors, mounted on circuits 1 and 2 of the outdoor coil (see Fig. H and I), control the speed of outdoor fan motors in order to maintain a constant head pressure in the outdoor coil. The control maintains the appropriate head pressure at low ambient temperatures down to -20°F (-28°C).

Wind baffles are required to prevent wind cross currents from causing abnormally low condensing temperatures.

- Use 20-gauge sheet metal to fabricate wind baffles (see Fig. J and Table A) and mounting brackets (see Fig. K).

NOTE: Mounting brackets are for use on 15 ton model units only.

- Install the wind baffles as show in Fig. L, for 15 ton units and Fig. M, for 20 ton units.

Operation

Fan on/off control is provided by an outdoor fan relay (OFR).

In cooling mode, fan motor speed of outdoor motors OFM1 and OFM3 is regulated by the speed control temperature sensors on outdoor coil circuits 1 and 2 for a minimum coil condensing temperature of approximately 100°F (37.8°C) at higher outdoor ambient temperature and 80°F (26.7°C) at lower ambient. Additionally, outdoor fan motor OFM2 and OFM4 are turned on/off by the low ambient temperature switch, LAS, operating the low ambient relay (LAR). The LAS control temperatures are open $55^{\circ}\text{F} \pm 2.16^{\circ}\text{F}$, close $60^{\circ}\text{F} \pm 2.16^{\circ}\text{F}$ (open $12.8^{\circ}\text{C} \pm 1.2^{\circ}\text{C}$, close $15.6^{\circ}\text{C} \pm 1.2^{\circ}\text{C}$).

To override the speed control for full fan speed operation during service or maintenance, either:

- remove sensor and place in hot water $>120^{\circ}\text{F}$ ($>49^{\circ}\text{C}$), or
- rewire to bypass control by connecting speed control input and output power wires.

Troubleshooting

OBSERVATION	POSSIBLE REMEDY
Fans won't start	All fans: Check power and wiring Check outdoor fan relay (OFR) OFM1, OFM3 only: Check speed control sensor location Check speed sensor resistance OFM2, OFM4 only: Check low ambient switch (LAS) Check low ambient relay (LAR)
Cooling— Center outdoor fans (OFM2, OFM4) off below approximately 55°F (12.8°C) outdoor ambient.	Normal operation
Cooling — Center outdoor fans (OFM2, OFM4) not on above approximately 60°F (16°C) outdoor ambient	Check low ambient switch (LAS) Check low ambient relay (LAR)
Cooling — Slow fan speed for outer fans (OFM1, OFM3) at start or during low outdoor ambient	Normal operation
Cooling — Slow fan speed for outer fans (OFM1, OFM3) above 85°F (29°F) outdoor ambient (should be full speed)	Check speed control sensor location Check speed control sensor resistance Check fan motor capacitor
Cooling— motor current into speed control is greater than motor nameplate FLA	Normal operation Up to 30% higher amps at partial speed at low ambient

Speed Control Sensor Resistance

TEMPERATURE		RESISTANCE
$^{\circ}\text{F} \pm 2^{\circ}\text{F}$	$^{\circ}\text{C} \pm 1^{\circ}\text{C}$	Ohms, nominal
-22	-30	88350
-4	-20	48485
14	-10	27650
32	0	16325
50	10	9950
68	20	6245
77	25	5000
86	30	4028
104	40	2663
122	50	1801
140	60	1244
158	70	876

APPENDIX C — LOW AMBIENT OPTION — FACTORY INSTALLED (CONT)

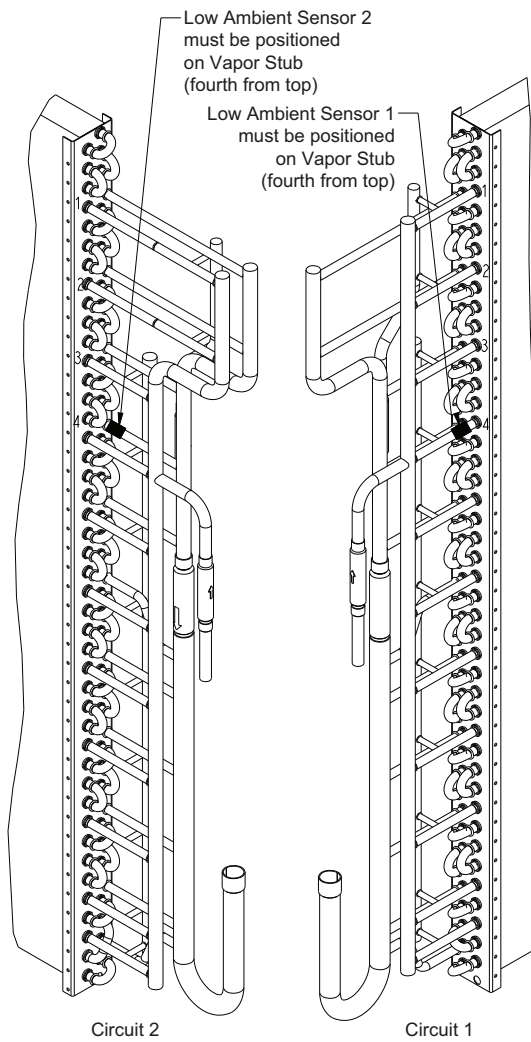


Fig. H — Low Ambient Sensor Location: CHS183

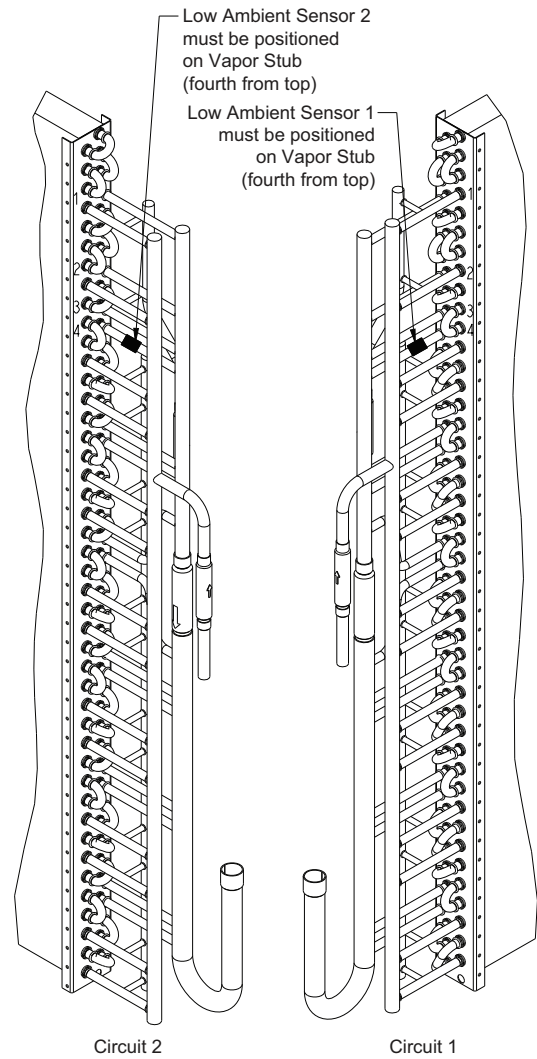


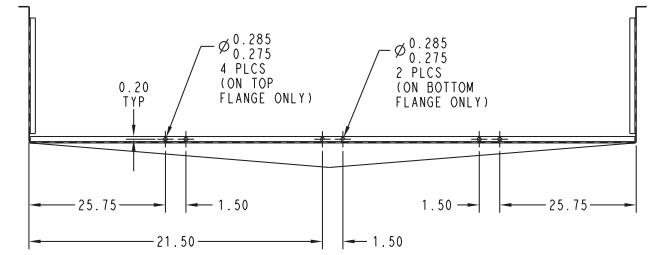
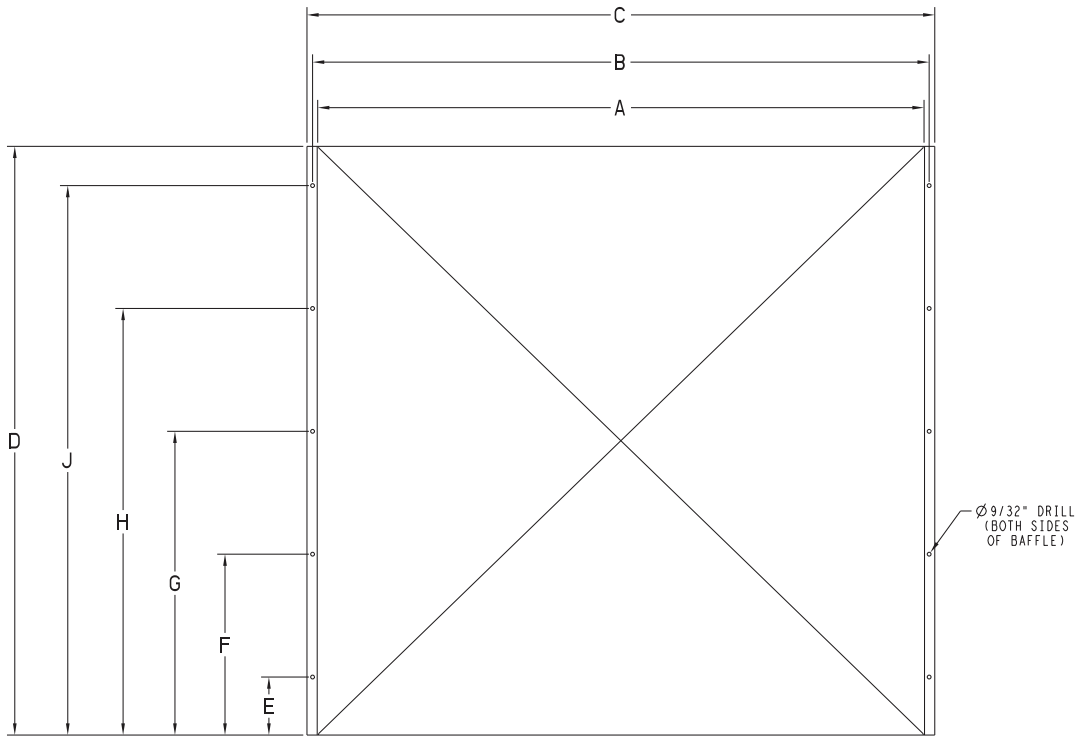
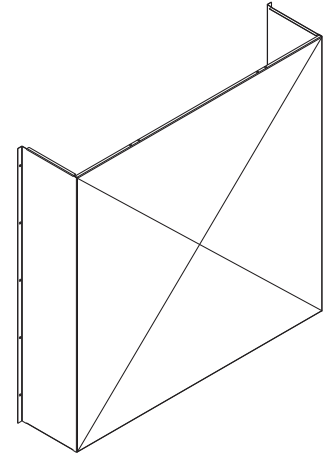
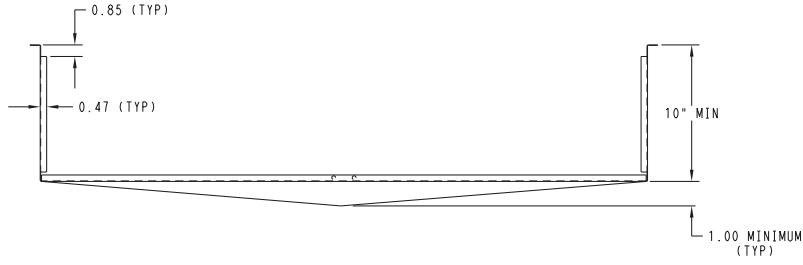
Fig. I — Low Ambient Sensor Location: CHS243

Table A — Wind Baffle Dimension

DIMENSIONS (in.)										
UNIT	Baffle	A	B	C	D	E	F	G	H	J
CHS183	Left side	19-3/4	20-1/2	21-1/4	43-1/8	8-3/8	18	27-1/4	40	—
	Back	80-1/4	81	81-3/4	43-1/8	8-3/8	18	27-1/4	40	—
	Right Side	38-3/4	39-1/2	40-1/4	43-1/8	8-3/8	18	27-1/4	40	—
	Front	34-1/8	34-7/8	35-5/8	43-1/8	6-7/8	16-1/2	25-3/4	38-1/2	—
CHS243	Left side	32-7/8	33-5/8	34-3/8	43-1/8	4-1/4	13-1/4	22-1/4	31-1/4	40-1/4
	Back	47-3/4	48-1/2	49-1/4	43-1/8	4-1/4	13-1/4	22-1/4	31-1/4	40-1/4
	Right Side	61-1/8	61-7/8	62-5/8	43-1/8	3-3/4	12-3/4	21-3/4	30-3/4	39-3/4
	Front	20-1/8	20-7/8	21-5/8	43-1/8	3-3/4	12-3/4	21-3/4	30-3/4	39-3/4

DIMENSIONS (mm)										
UNIT	Baffle	A	B	C	D	E	F	G	H	J
CHS183	Left side	501	520	539	1095	212	457	694	1015	—
	Back	2037	2056	2075	1095	212	457	694	1015	—
	Right Side	983	1002	1021	1095	212	457	694	1015	—
	Front	866	885	904	1095	174	419	656	977	—
CHS243	Left side	834	853	872	1095	108	337	565	794	1022
	Back	1214	1233	1252	1095	108	337	565	794	1022
	Right Side	1551	1570	1589	1095	95	324	552	781	1010
	Front	510	530	549	1095	95	324	552	781	1010

APPENDIX C — LOW AMBIENT OPTION — FACTORY INSTALLED (CONT)



FOR 15 TON A/C AND HP
BACK SIDE ONLY

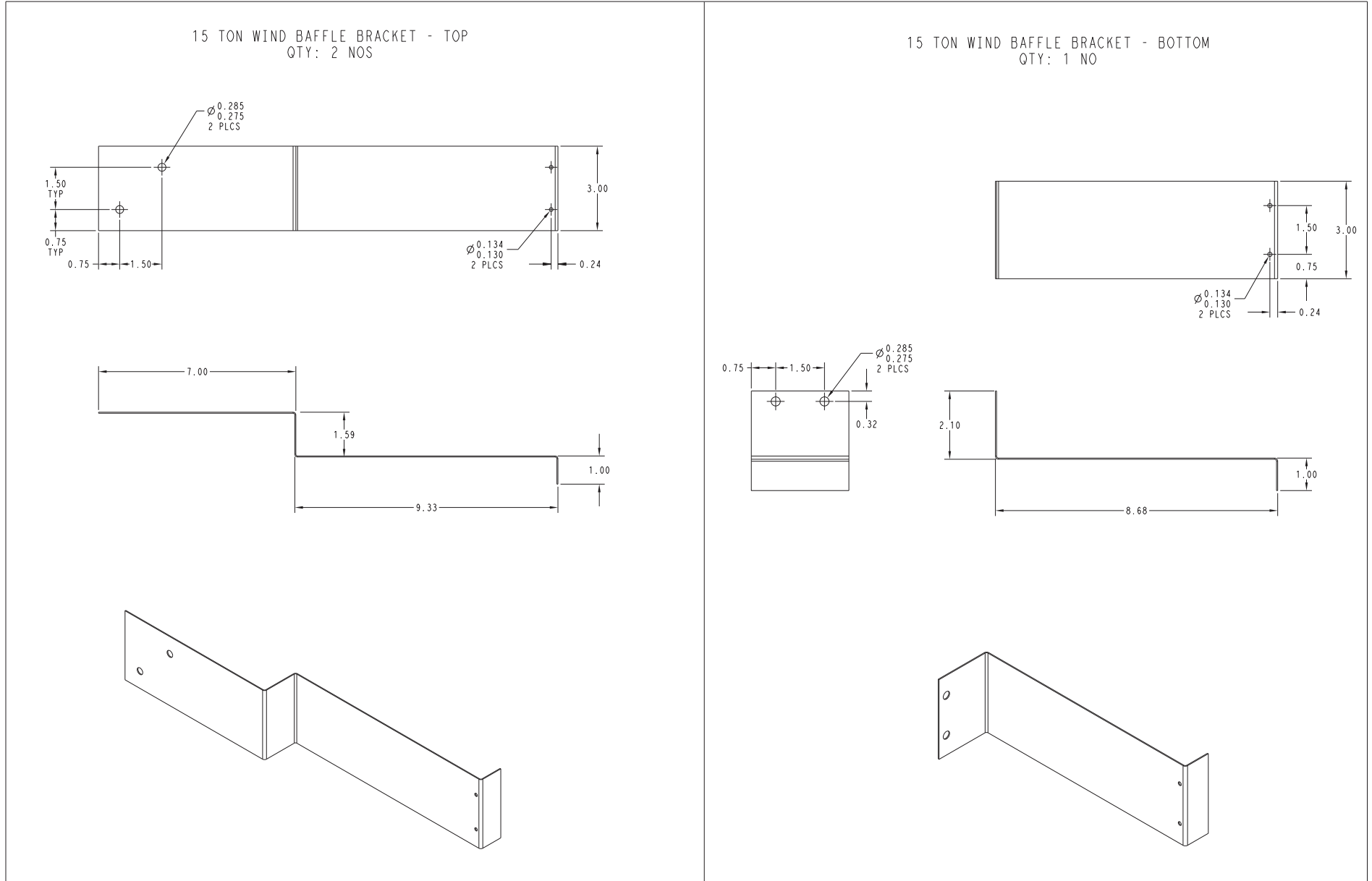
Specifications subject to change without notice.

CHS-180-240-02SI

NOTE: Dimensions are in inches.

Fig. J — Wind Baffles — Fabrication

APPENDIX C — LOW AMBIENT OPTION — FACTORY INSTALLED (CONT)



NOTE: Dimensions are in inches.

Fig. K — 15 Ton Wind Baffle Brackets — Fabrication

APPENDIX C — LOW AMBIENT OPTION — FACTORY INSTALLED (CONT)

Specifications subject to change without notice.

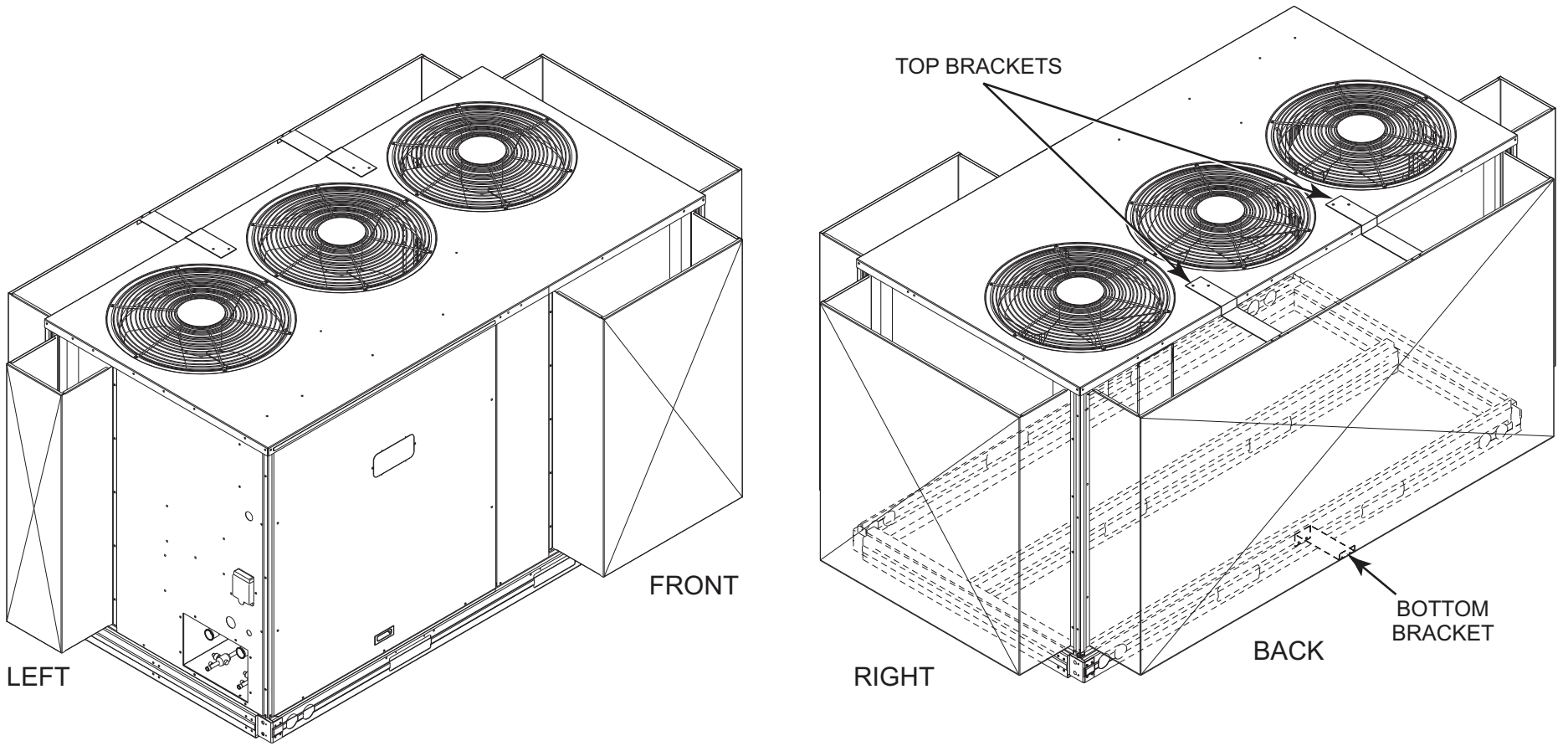


Fig. L — Wind Baffle Installation — 15 Ton Units

APPENDIX C — LOW AMBIENT OPTION — FACTORY INSTALLED (CONT)

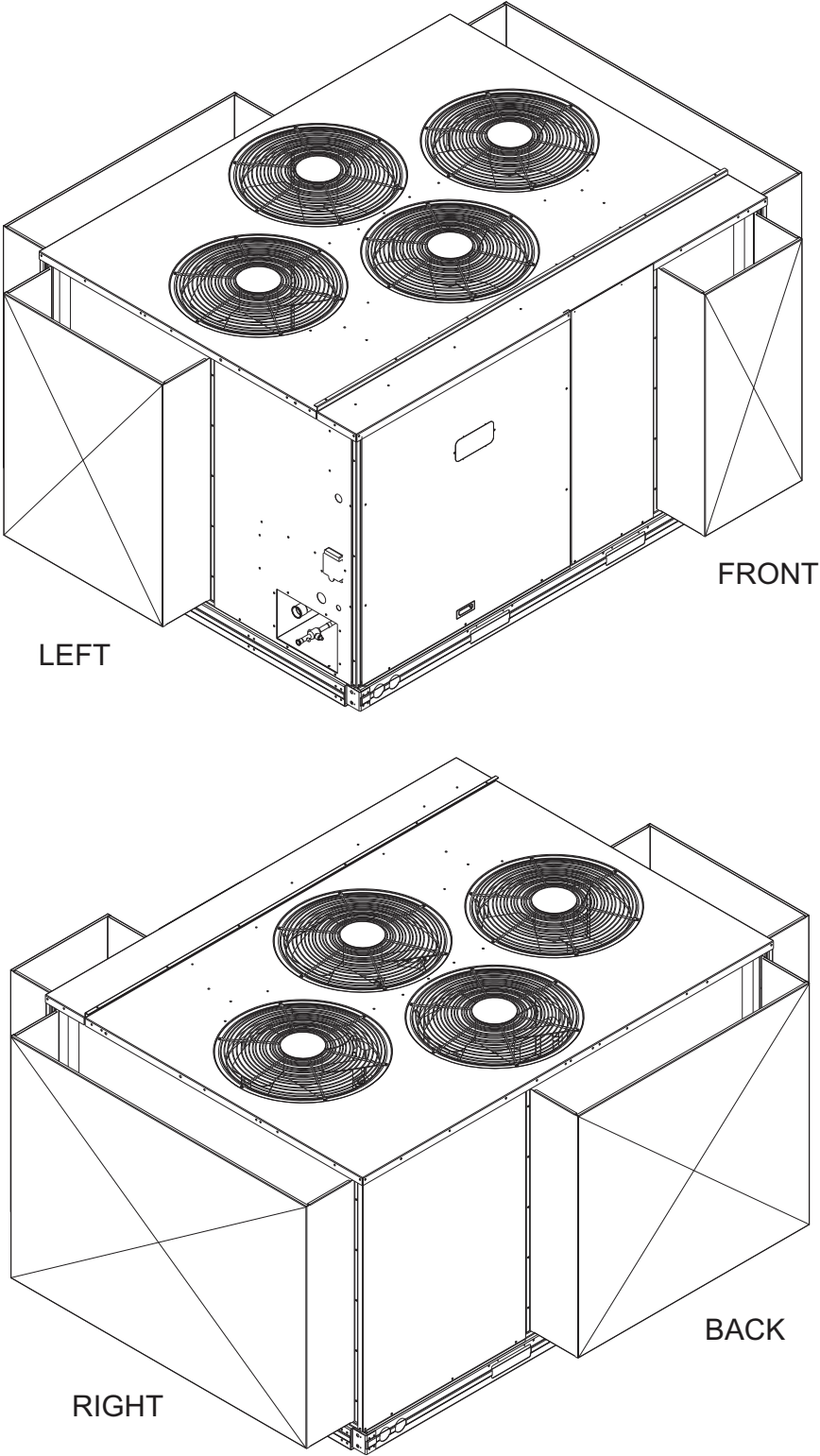


Fig. M — Wind Baffle Installation — 20 Ton Units

START-UP CHECKLIST FOR CHS183-243 HEAT PUMP CONDENSING UNIT

(Remove and use for job file)

NOTE: To avoid injury to personnel and damage to equipment or property when completing the procedures listed in this start-up checklist, use good judgment, follow safe practices, and adhere to the safety considerations/information as outlined in preceding sections of this Installation, Start-Up and Service Instruction document.

I. PRELIMINARY INFORMATION

OUTDOOR MODEL NO. _____

SERIAL NO. _____

INDOOR MODEL NO. _____

SERIAL NO. _____

ADDITIONAL ACCESSORIES _____

II. PRE-START-UP

OUTDOOR UNIT

Is there any shipping damage? (Y/N) _____

If so, where: _____

Will this damage prevent unit start-up? (Y/N) _____

Check power supply. does it agree with unit? (Y/N) _____

Has the ground wire been connected? (Y/N) _____

Verify ground integrity with continuity test. (Y/N) _____

Has the circuit protection been sized and installed properly? (Y/N) _____

Are the power wires to the unit sized and installed properly? (Y/N) _____

CONTROLS

Are thermostat and indoor fan control wiring connections made and checked?
(Thermostat wiring must be made directly to the fan coil unit.) (Y/N) _____

Are all wiring terminals (including main power supply) tight? (Y/N) _____

Has crankcase heater been energized for 24 hours? (Y/N) _____

INDOOR UNIT

Has water been placed in drain pan to confirm proper drainage? (Y/N) _____

Are proper air filters in place? (Y/N) _____

Have fan and motor pulleys been checked for proper alignment? (Y/N) _____

Do the fan belts have proper tension? (Y/N) _____

Has correct fan rotation been confirmed? (Y/N) _____

PIPING

Is liquid line solenoid valve located at the outdoor coils as required? (Y/N) _____

Have leak checks been made at compressor, outdoor and indoor coils, TXVs (thermostatic expansion valves), solenoid valves, filter driers, and fusible plugs with a leak detector? (Y/N) _____

Locate, repair, and report any leaks. _____

Has liquid line service valve been opened? (Y/N) _____

Has vapor line service valve been opened? (Y/N) _____

CHECK VOLTAGE IMBALANCE

Line-to-Line Volts: AB _____ V AC _____ V BC _____ V

(AB + AC + BC)/3 = Average Voltage = _____ V

Maximum Deviation from Average Voltage = _____ V

Voltage Imbalance = 100 x (Max Deviation)/(Average Voltage) = _____

IF OVER 2% VOLTAGE IMBALANCE, DO NOT ATTEMPT TO START SYSTEM!

CALL LOCAL POWER COMPANY FOR ASSISTANCE.

Check indoor unit fan speed and record. _____

Check outdoor unit fan speed and record. _____

After at least 10 minutes running time, record the following measurements:

Suction pressure Cir: 1 _____ Cir: 2 _____

Suction line temp Cir: 1 _____ Cir: 2 _____

Suction line temp Cir: 1 _____ Cir: 2 _____

Liquid pressure Cir: 1 _____ Cir: 2 _____

Liquid line temp Cir: 1 _____ Cir: 2 _____

Entering outdoor unit air temp _____

Leaving outdoor unit air temp _____

Indoor unit entering-air db (dry bulb) temp _____

Indoor unit entering-air wb (wet bulb) temp _____

Indoor unit leaving-air db temp _____

Indoor unit leaving-air wb temp _____

Compressor 1 amps (L1/L2/L3) _____ / _____ / _____

Compressor 2 amps (L1/L2/L3) _____ / _____ / _____

NOTES:

Horizontal lines for notes.

CUT ALONG DOTTED LINE

CUT ALONG DOTTED LINE