

Specifications

PFXC6887LS

TWO HANDLE KITCHEN FAUCET



Product Features

- Ceramic cartridges
- Metal lever handle
- 3 hole installation
- Max. flow rate: 1.75 gpm (6.6 L/min) at 60 psi
- Max deck thickness: 1-3/8"
- cUPC/IAPMO listed
- ADA compliant

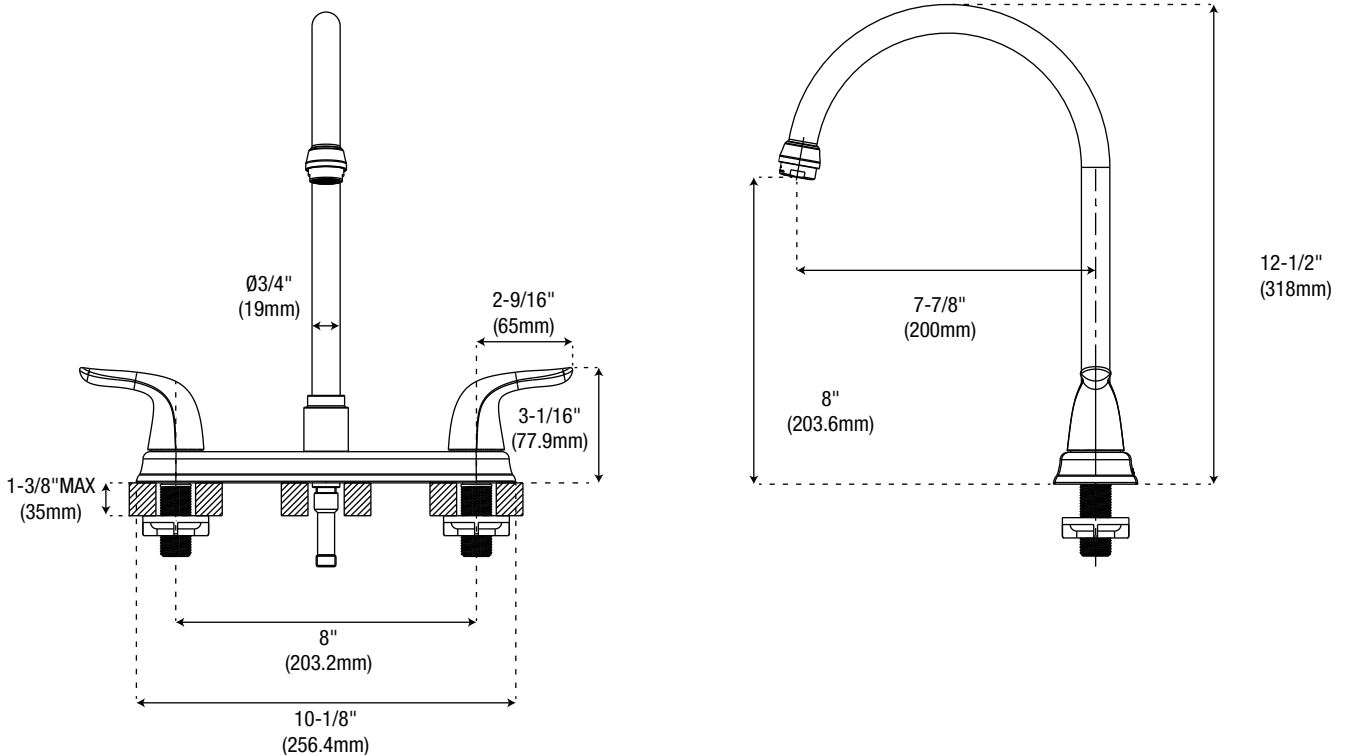
Model Numbers

- PFXC6887LSCP Chrome
- PFXC6887LSZBN Brushed nickel



PFXC6887LSCP

Product Specifications



NOTE: All dimensions and specifications are nominal and may vary $\pm 1/4"$. Use actual products for accuracy in critical situations.

Warranty and Codes

This product comes complete with installation, operating, care and maintenance instructions. This PROFLO faucet carries a limited lifetime warranty when installed in residential applications. The warranty is five years in commercial applications. This product meets ASME: A112.18.1. *Compliant with lead content requirements of US Senate Bill S.3874.

©2023 Ferguson Enterprises, LLC.



FERGUSON.COM/PROFLO