



**FRIEDRICH**

1 8 8 3

## Endeavor™ Line *F-Series* iR Packaged Heat Pump



### **RHP(A/X)ZR**

Nominal Sizes: 2 to 5 Tons [7.03 to 17.6 kW]

Cooling Efficiency: 13.4 SEER2



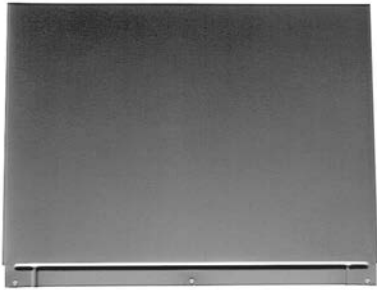
## Table of Contents

|                                      |       |
|--------------------------------------|-------|
| Features & Benefits .....            | 3-4   |
| Model Number Identification .....    | 5     |
| General Data.....                    | 6-7   |
| General Data Notes .....             | 8     |
| Gross Systems Performance Data ..... | 9-14  |
| Indoor Airflow Performance.....      | 15-18 |
| Electrical Data.....                 | 19    |
| Electric Heater Kits.....            | 20-21 |
| Dimensional Data .....               | 22-25 |
| Typical Installations .....          | 26    |
| Accessories .....                    | 27-38 |
| Limited Warranty.....                | 40    |

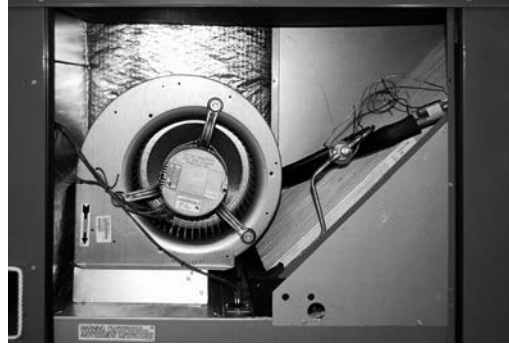
## Features and Benefits

- **Scroll Compressor:** For maximum efficiency and quiet operation
- **Louvered Condenser Compartment:** (2) Protects the coil against yard hazards
- **One-piece Top with Drip Flange:** (3) Helps to keep water out of the unit
- **Supply and Return Air Openings:** (4) Feature a one-inch tall flange to prevent water migration into the ductwork
- **Access Panels:** (5) Easily removable and provides access to necessary components for serviceability
- **Side and Down Discharge Options:** Available on all models (Shipped horizontal flow standard)
- **Easily Accessible Blower Section:** (7) Features a slide-out blower
- **Conveniently Located Refrigerant Connections:** (8) For easy service diagnostics. Low pressure/loss of charge protection is standard on all models
- **Evaporator Coils:** MicroChannel evaporator coil delivers superior performance with less refrigerant charge and less weight than conventional copper tube/aluminum fin coils
- **Condenser Coils:** (9) "A" cabinet condenser coil features enhanced fins for better heat transfer and rifled copper tubing for greater efficiency. "X" cabinet condenser coil uses the latest microchannel technology for the most effective method of heat transfer.
- **Supplemental Electric Heat Strips:** (10) Up to 15 kW are available (field or factory installed) for periods of extreme cold temperatures. Single point wiring simplifies installation
- **Easily Accessible Control Box:** (12)
- **Thermal Expansion Valve:** (13) Is standard on all models and provides superior superheat control, reliability, and energy efficiency at all operating conditions
- **Filter Drier:** Is standard on all models
- **Rugged baserail:** (15) Included for improved installation and handling
- **Reversing Valve Directs Flow of Refrigerant:** And reverses the refrigerant flow when heating is required

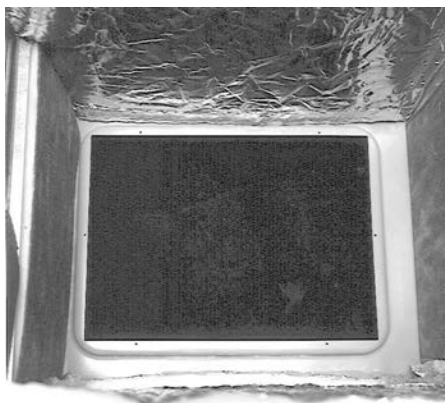
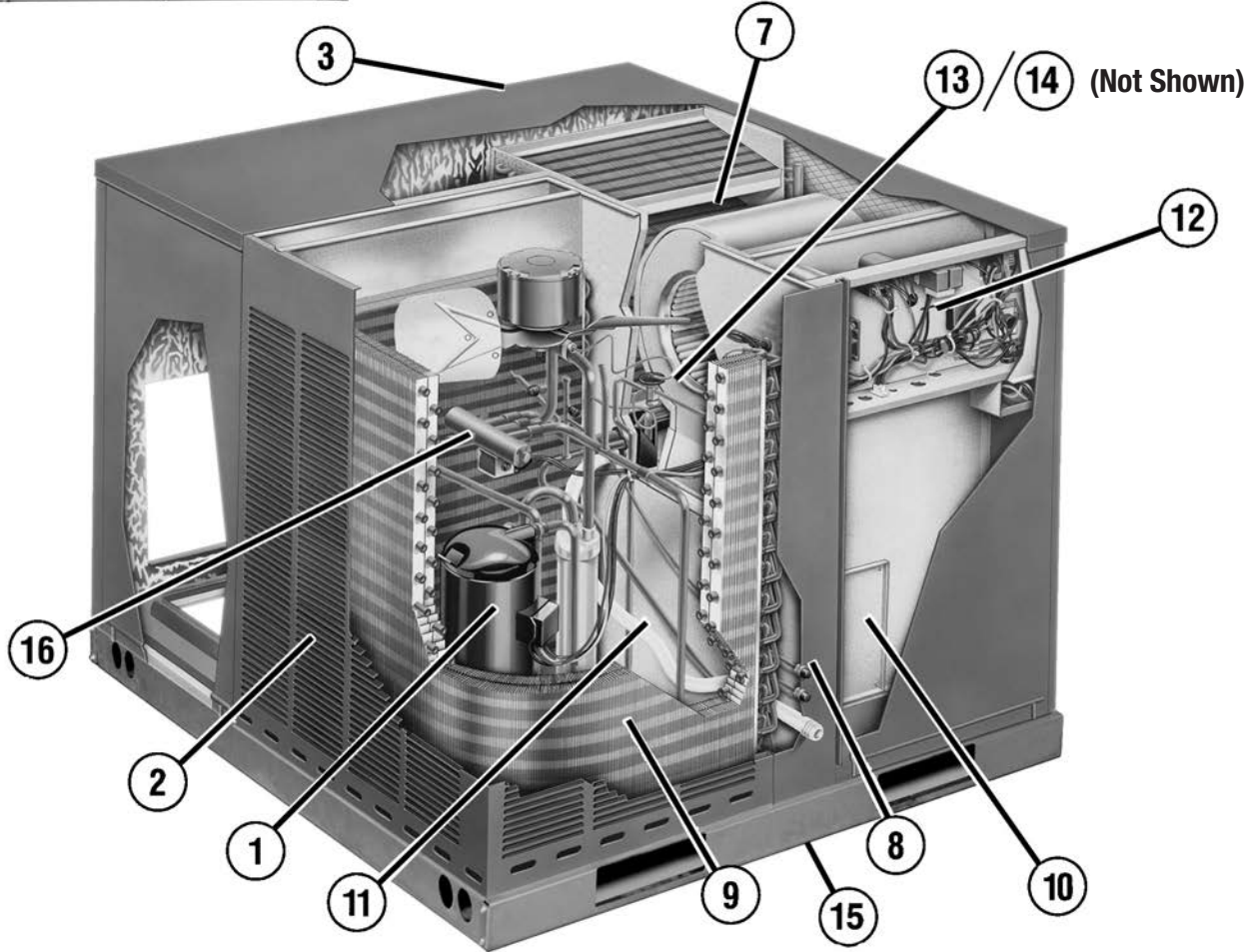
## Package Heat Pump Features:



5



7



4

**Packaged Heat Pumps**

| <u>R</u>      | <u>HP</u>        | <u>A</u>                     | <u>Z</u>    | <u>R</u>                      | <u>024</u>   | <u>A</u>       | <u>J</u>            | <u>T</u>               | <u>000</u>             | <u>N</u>              | <u>A</u>       |
|---------------|------------------|------------------------------|-------------|-------------------------------|--|----------------|---------------------|------------------------|------------------------|-----------------------|----------------|
| Brand         | Product Category | Platform                     | Refrigerant | Tier                          | Capacity BTU/HR  | Major Series   | Voltage             | Drive                  | Electric Heat          | Control               | Minor Series   |
| R - Friedrich | HP - Heat Pump   | A/X- ResiPack<br>Convertible | Z - R410A   | R - Base Tier<br>(13.4 SEER2) | 024 - 24,000 [7.03 kW]<br>030 - 30,000 [8.79 kW]<br>036 - 36,000 [10.55 kW]<br>042 - 42,000 [12.31 kW]<br>048 - 48,000 [14.07 kW]<br>060 - 60,000 [17.58 kW] | A - 1st Design | J - 1ph, 208-230/60 | T - Constant<br>Torque | 000 - No Electric Heat | N - Non-Communicating | A - 1st Design |

[ ] Designates Metric Conversions

| Available Models         |
|--------------------------|
| RHPAZR024AJT000NA        |
| RHPAZR024AJT101NA        |
| RHPAZR030AJT000NA        |
| RHPAZR030AJT101NA        |
| RHPAZR036AJT000NA        |
| RHPAZR036AJT101NA        |
| RHPAZR036AJT151NA        |
| RHPXZR042AJT000NA        |
| RHPXZR042AJT151NA        |
| RHPXZR048AJT000NA        |
| RHPXZR048AJT151NA        |
| <b>RHPXZR060AJT000NA</b> |
| <b>RHPXZR060AJT151NA</b> |

Note: **Bold** represents 2-stage cooling models.  
 Further heater kits available to purchase for field installation.

## NOMINAL SIZES 2-5 TONS [7.03-17.6 kW]

| Model RHPAZR- Series                         | 024AJT                  | 030AJT                  | 036AJT                  |
|--|-------------------------|-------------------------|-------------------------|
| <b>Cooling Performance<sup>1</sup></b>       |                         |                         | <b>CONTINUED</b> →      |
| Gross Cooling Capacity Btu [kW]              | 23,800 [6.97]           | 30,000 [8.79]           | 35,000 [10.25]          |
| EER/SEER <sup>2</sup>                        | 10.6/13.4               | 10.6/13.4               | 10.6/13.4               |
| Nominal CFM/AHRI Rated CFM [L/s]             | 800/875 [378/413]       | 1000/1080 [472/510]     | 1200/1180 [566/557]     |
| AHRI Net Cooling Capacity Btu [kW]           | 23,000 [6.74]           | 29,000 [8.5]            | 34,200 [10.02]          |
| Net Sensible Capacity Btu [kW]               | 16,700 [4.89]           | 21,700 [6.36]           | 25,400 [7.44]           |
| Net Latent Capacity Btu [kW]                 | 6,300 [1.85]            | 7,300 [2.14]            | 8,800 [2.58]            |
| Net System Power kW                          | 2.05                    | 2.49                    | 3.11                    |
| <b>Heating Performance (Heat Pumps)</b>      |                         |                         |                         |
| High Temp. Btuh [kW] Rating                  | 22,400 [6.56]           | 28,200 [8.26]           | 33,800 [9.9]            |
| System Power KW / COP                        | 1.77/3.5                | 2.26/3.6                | 2.85/3.58               |
| Low Temp. Btuh [kW] Rating                   | 13,000 [3.81]           | 14,400 [4.22]           | 20,600 [6.04]           |
| System Power KW / COP                        | 1.78/2                  | 2.15/2                  | 2.86/2                  |
| HSPF (Btu/Watts-hr)                          | 6.7                     | 6.7                     | 6.7                     |
| <b>Compressor</b>                            |                         |                         |                         |
| No./Type                                     | 1/Scroll                | 1/Scroll                | 1/Scroll                |
| <b>Outdoor Sound Rating (dB)<sup>4</sup></b> | 74                      | 77                      | 78                      |
| <b>Outdoor Coil—Fin Type</b>                 | Louvered                | Louvered                | Louvered                |
| Tube Type                                    | Rifled                  | Rifled                  | Rifled                  |
| Tube Size in. [mm] OD                        | 0.375 [9.5]             | 0.375 [9.5]             | 0.375 [9.5]             |
| Face Area sq. ft. [sq. m]                    | 14.51 [1.35]            | 16.32 [1.52]            | 16.32 [1.52]            |
| Rows / FPI [FPcm]                            | 1 / 22 [9]              | 1 / 22 [9]              | 1 / 22 [9]              |
| Refrigerant Control                          | TX Valves               | TX Valves               | TX Valves               |
| <b>Indoor Coil—Fin Type</b>                  | Louvered                | Louvered                | Louvered                |
| Tube Type                                    | MicroChannel            | MicroChannel            | MicroChannel            |
| MicroChannel Depth in. [mm]                  | 1 [25.4]                | 1.26 [32]               | 1.26 [32]               |
| Face Area sq. ft. [sq. m]                    | 3.54 [0.33]             | 3.98 [0.37]             | 3.98 [0.37]             |
| Rows / FPI [FPcm]                            | 1 / 20 [8]              | 1 / 20 [8]              | 1 / 20 [8]              |
| Refrigerant Control                          | TX Valves               | TX Valves               | TX Valves               |
| Drain Connection No./Size in. [mm]           | 1/0.75 [19.05]          | 1/0.75 [19.05]          | 1/0.75 [19.05]          |
| <b>Outdoor Fan—Type</b>                      | Propeller               | Propeller               | Propeller               |
| No. Used/Diameter in. [mm]                   | 1/22 [558.8]            | 1/22 [558.8]            | 1/22 [558.8]            |
| Drive Type/No. Speeds                        | Direct/1                | Direct/1                | Direct/1                |
| CFM [L/s]                                    | 3400 [1604]             | 4200 [1982]             | 4200 [1982]             |
| No. Motors/HP                                | 1 at 1/3 HP             | 1 at 1/3 HP             | 1 at 1/3 HP             |
| Motor RPM                                    | 825                     | 1075                    | 1075                    |
| <b>Indoor Fan—Type</b>                       | FC Centrifugal          | FC Centrifugal          | FC Centrifugal          |
| No. Used/Diameter in. [mm]                   | 1/10x9 [254x229]        | 1/12x9 [305x229]        | 1/12x9 [305x229]        |
| Drive Type                                   | Direct                  | Direct                  | Direct                  |
| No. Speeds                                   | Multiple                | Multiple                | Multiple                |
| No. Motors                                   | 1                       | 1                       | 1                       |
| Motor HP                                     | 1/3                     | 1/2                     | 1/2                     |
| Motor RPM                                    | 1050                    | 1050                    | 1050                    |
| Motor Frame Size                             | 48                      | 48                      | 48                      |
| <b>Filter—Type</b>                           | Field Supplied          | Field Supplied          | Field Supplied          |
| Furnished                                    | No                      | No                      | No                      |
| (NO.) Size Recommended in. [mm x mm x mm]    | (1)1x20x20 [25x508x508] | (1)1x24x24 [25x610x610] | (1)1x24x24 [25x610x610] |
| <b>Refrigerant Charge Oz. [g]</b>            | 102 [2892]              | 120 [3402]              | 110.4 [3130]            |
| <b>Weights</b>                               |                         |                         |                         |
| Net Weight lbs. [kg]                         | 360 [163]               | 410 [186]               | 415 [188]               |
| Ship Weight lbs. [kg]                        | 370 [168]               | 420 [191]               | 425 [193]               |

See Page 8 for Notes.

[ ] Designates Metric Conversions

## NOMINAL SIZES 2-5 TONS [7.03-17.6 kW]

| Model RHPXZR- Series                         | 042AJT                  | 048AJT                  | 060AJT                  |
|--|-------------------------|-------------------------|-------------------------|
| <b>Cooling Performance<sup>1</sup></b>       |                         |                         |                         |
| Gross Cooling Capacity Btu [kW]              | 43,000 [12.6]           | 48,500 [14.21]          | 59,500 [17.43]          |
| EER/SEER <sup>2</sup>                        | 10.6/13.4               | 10.6/13.4               | 10.6/13.4               |
| Nominal CFM/AHRI Rated CFM [L/s]             | 1400/1425 [661/672]     | 1600/1610 [755/760]     | 1600/1900 [755/897]     |
| AHRI Net Cooling Capacity Btu [kW]           | 41,500 [12.16]          | 47,000 [13.77]          | 57,000 [16.7]           |
| Net Sensible Capacity Btu [kW]               | 31,200 [9.14]           | 33,800 [9.9]            | 41,600 [12.19]          |
| Net Latent Capacity Btu [kW]                 | 10,300 [3.02]           | 13,200 [3.87]           | 15,400 [4.51]           |
| Net System Power kW                          | 3.48                    | 4.02                    | 5.17                    |
| <b>Heating Performance (Heat Pumps)</b>      |                         |                         |                         |
| High Temp. Btuh [kW] Rating                  | 40,000 [11.72]          | 46,000 [13.48]          | 56,000 [16.41]          |
| System Power KW / COP                        | 3.26/3.6                | 3.77/3.6                | 4.59/3.5                |
| Low Temp. Btuh [kW] Rating                   | 23,600 [6.91]           | 28,600 [8.38]           | 31,600 [9.26]           |
| System Power KW / COP                        | 2.98/2.3                | 3.5/2.3                 | 4.27/2.3                |
| HSPF (Btu/Watts-hr)                          | 6.7                     | 6.7                     | 6.7                     |
| <b>Compressor</b>                            |                         |                         |                         |
| No./Type                                     | 1/Scroll                | 1/Scroll                | 1/Scroll                |
| <b>Outdoor Sound Rating (dB)<sup>3</sup></b> |                         |                         |                         |
|  | 76                      | 78                      | 78                      |
| <b>Outdoor Coil—Fin Type</b>                 |                         |                         |                         |
| Tube Type                                    | Louvered                | Louvered                | Louvered                |
| Tube Type                                    | MicroChannel            | MicroChannel            | MicroChannel            |
| Tube Size in. [mm] OD                        | 0.63 [16]               | 1 [25.4]                | 1.26 [32]               |
| Face Area sq. ft. [sq. m]                    | 16 [1.49]               | 16 [1.49]               | 16 [1.49]               |
| Rows / FPI [FPcm]                            | 1 / 16 [6]              | 1 / 16 [6]              | 1 / 16 [6]              |
| Refrigerant Control                          | TX Valves               | TX Valves               | TX Valves               |
| <b>Indoor Coil—Fin Type</b>                  |                         |                         |                         |
| Tube Type                                    | Louvered                | Louvered                | Louvered                |
| Tube Type                                    | MicroChannel            | MicroChannel            | MicroChannel            |
| MicroChannel Depth in. [mm]                  | 1 [25.4]                | 1 [25.4]                | 1.26 [32]               |
| Face Area sq. ft. [sq. m]                    | 7.08 [0.66]             | 7.08 [0.66]             | 7.08 [0.66]             |
| Rows / FPI [FPcm]                            | 1 / 20 [8]              | 1 / 20 [8]              | 1 / 20 [8]              |
| Refrigerant Control                          | TX Valves               | TX Valves               | TX Valves               |
| Drain Connection No./Size in. [mm]           | 1/0.75 [19.05]          | 1/0.75 [19.05]          | 1/0.75 [19.05]          |
| <b>Outdoor Fan—Type</b>                      |                         |                         |                         |
| Propeller                                    | Propeller               | Propeller               | Propeller               |
| No. Used/Diameter in. [mm]                   | 1/24 [609.6]            | 1/24 [609.6]            | 1/24 [609.6]            |
| Drive Type/No. Speeds                        | Direct/1                | Direct/1                | Direct/1                |
| CFM [L/s]                                    | 4300 [2029]             | 4100 [1935]             | 4300 [2029]             |
| No. Motors/HP                                | 1 at 1/3 HP             | 1 at 1/3 HP             | 1 at 1/2 HP             |
| Motor RPM                                    | 1050                    | 1050                    | 1075                    |
| <b>Indoor Fan—Type</b>                       |                         |                         |                         |
| FC Centrifugal                               | FC Centrifugal          | FC Centrifugal          | FC Centrifugal          |
| No. Used/Diameter in. [mm]                   | 1/12x9 [305x229]        | 1/12x9 [305x229]        | 1/12x9 [305x229]        |
| Drive Type                                   | Direct                  | Direct                  | Direct                  |
| No. Speeds                                   | Multiple                | Multiple                | Multiple                |
| No. Motors                                   | 1                       | 1                       | 1                       |
| Motor HP                                     | 3/4                     | 3/4                     | 1                       |
| Motor RPM                                    | 1050                    | 1075                    | 1050                    |
| Motor Frame Size                             | 48                      | 48                      | 48                      |
| <b>Filter—Type</b>                           |                         |                         |                         |
| Field Supplied                               | Field Supplied          | Field Supplied          | Field Supplied          |
| Furnished                                    | No                      | No                      | No                      |
| (NO.) Size Recommended in. [mm x mm x mm]    | (2)1x16x30 [25x406x762] | (2)1x16x30 [25x406x762] | (2)1x16x30 [25x406x762] |
| <b>Refrigerant Charge Oz. [g]</b>            |                         |                         |                         |
|  | 96 [2722]               | 140.8 [3992]            | 160.5 [4550]            |
| <b>Weights</b>                               |                         |                         |                         |
| Net Weight lbs. [kg]                         | 496 [225]               | 516 [234]               | 533 [242]               |
| Ship Weight lbs. [kg]                        | 506 [230]               | 526 [239]               | 543 [246]               |

See Page 8 for Notes.

[ ] Designates Metric Conversions

## NOTES:

1. Cooling Performance is rated at 95°F ambient, 80°F entering dry bulb, 67°F entering wet bulb. Gross capacity does not include the effect of fan motor heat. ARI capacity is net and includes the effect of fan motor heat. Units are suitable for operation to  $\pm 20\%$  of nominal cfm. Units are certified in accordance with the Unitary Air Conditioner Equipment certification program, which is based on ARI Standard 210/240 or 360.
2. EER2 and/or SEER2 are rated at ARI conditions and in accordance with DOE test procedures for 1-Phase models. EER and/or SEER are rated at ARI conditions and in accordance with DOE test procedures for 3-Phase models.
3. HSPF2 is rated at ARI conditions and in accordance with DOE test procedures for 1-Phase models. HSPF is rated at ARI conditions and in accordance with DOE test procedures for 3-Phase models.
4. Outdoor Sound Rating shown is tested in accordance with ARI Standard 270.



## COOLING PERFORMANCE DATA—RHPAZR024AJT

| ENTERING INDOOR AIR @ 80°F [26.7°C] dbE ① |            |  |                                 |                                 |                                 |                                 |                                 |                                 |                                 |                                 |                                 |
|---|------------|--|---------------------------------|---------------------------------|---------------------------------|---------------------------------|---------------------------------|---------------------------------|---------------------------------|---------------------------------|---------------------------------|
|   |            | wbE  | 71°F [21.7°C]                   |                                 |                                 | 67°F [19.4°C]                   |                                 |                                 | 63°F [17.2°C]                   |                                 |                                 |
|   |            | CFM [L/s]                                  | 900 [425]                       | 875 [413]                       | 700 [330]                       | 900 [425]                       | 875 [413]                       | 700 [330]                       | 900 [425]                       | 875 [413]                       | 700 [330]                       |
|   |            | DR ①                                       | 0.24                            | 0.24                            | 0.28                            | 0.24                            | 0.24                            | 0.28                            | 0.24                            | 0.24                            | 0.28                            |
| OUTDOOR DRY BULB TEMPERATURE °F [°C]      | 75 [23.9]  | Total BTUH [kW]<br>Sens BTUH [kW]<br>Power | 29.9 [8.8]<br>16.8 [4.9]<br>1.5 | 29.8 [8.7]<br>16.5 [4.8]<br>1.5 | 28.7 [8.4]<br>14.0 [4.1]<br>1.4 | 27.9 [8.2]<br>20.0 [5.9]<br>1.4 | 27.8 [8.1]<br>19.6 [5.7]<br>1.4 | 26.8 [7.9]<br>16.9 [5.0]<br>1.4 | 26.3 [7.7]<br>22.4 [6.6]<br>1.4 | 26.1 [7.6]<br>21.9 [6.4]<br>1.4 | 25.2 [7.4]<br>19.0 [5.6]<br>1.4 |
|   | 80 [26.7]  | Total BTUH [kW]<br>Sens BTUH [kW]<br>Power | 29.0 [8.5]<br>16.4 [4.8]<br>1.5 | 28.8 [8.4]<br>16.0 [4.7]<br>1.5 | 27.8 [8.1]<br>13.6 [4.0]<br>1.5 | 26.9 [7.9]<br>19.4 [5.7]<br>1.5 | 26.8 [7.9]<br>19.0 [5.6]<br>1.5 | 25.8 [7.6]<br>16.3 [4.8]<br>1.5 | 25.3 [7.4]<br>21.8 [6.4]<br>1.5 | 25.2 [7.4]<br>21.4 [6.3]<br>1.5 | 24.3 [7.1]<br>18.6 [5.4]<br>1.5 |
|   | 85 [29.4]  | Total BTUH [kW]<br>Sens BTUH [kW]<br>Power | 28.0 [8.2]<br>15.8 [4.6]<br>1.6 | 27.8 [8.1]<br>15.4 [4.5]<br>1.6 | 26.8 [7.9]<br>13.1 [3.8]<br>1.6 | 26.0 [7.6]<br>18.9 [5.5]<br>1.6 | 25.8 [7.6]<br>18.5 [5.4]<br>1.6 | 24.9 [7.3]<br>16.0 [4.7]<br>1.6 | 24.3 [7.1]<br>21.3 [6.2]<br>1.6 | 24.2 [7.1]<br>20.9 [6.1]<br>1.6 | 23.3 [6.8]<br>18.1 [5.3]<br>1.6 |
|   | 90 [32.2]  | Total BTUH [kW]<br>Sens BTUH [kW]<br>Power | 27.0 [7.9]<br>15.3 [4.5]<br>1.7 | 26.8 [7.9]<br>14.9 [4.4]<br>1.7 | 25.9 [7.6]<br>12.7 [3.7]<br>1.7 | 25.0 [7.3]<br>18.4 [5.4]<br>1.7 | 24.8 [7.3]<br>18.0 [5.3]<br>1.7 | 23.9 [7.0]<br>15.5 [4.5]<br>1.7 | 23.3 [6.8]<br>20.8 [6.1]<br>1.7 | 23.2 [6.8]<br>20.4 [6.0]<br>1.7 | 22.3 [6.5]<br>17.7 [5.2]<br>1.7 |
|   | 95 [35]    | Total BTUH [kW]<br>Sens BTUH [kW]<br>Power | 26.0 [7.6]<br>14.9 [4.4]<br>1.8 | 25.8 [7.6]<br>14.5 [4.2]<br>1.8 | 24.9 [7.3]<br>12.3 [3.6]<br>1.8 | 23.9 [7.0]<br>17.8 [5.2]<br>1.8 | 23.8 [7.0]<br>17.5 [5.1]<br>1.8 | 22.9 [6.7]<br>15.1 [4.4]<br>1.8 | 22.3 [6.5]<br>20.3 [5.9]<br>1.8 | 22.2 [6.5]<br>19.9 [5.8]<br>1.8 | 21.4 [6.3]<br>17.3 [5.1]<br>1.8 |
|   | 100 [37.8] | Total BTUH [kW]<br>Sens BTUH [kW]<br>Power | 24.9 [7.3]<br>14.3 [4.2]<br>1.9 | 24.8 [7.3]<br>14.0 [4.1]<br>1.9 | 23.9 [7.0]<br>11.9 [3.5]<br>1.9 | 22.9 [6.7]<br>17.3 [5.1]<br>1.9 | 22.8 [6.7]<br>17.0 [5.0]<br>1.9 | 21.9 [6.4]<br>14.6 [4.3]<br>1.9 | 21.2 [6.2]<br>19.7 [5.8]<br>1.9 | 21.1 [6.2]<br>19.3 [5.7]<br>1.9 | 20.4 [6.0]<br>16.9 [5.0]<br>1.9 |
|   | 105 [40.6] | Total BTUH [kW]<br>Sens BTUH [kW]<br>Power | 23.9 [7.0]<br>13.8 [4.0]<br>2.0 | 23.7 [6.9]<br>13.4 [3.9]<br>2.0 | 22.9 [6.7]<br>11.4 [3.3]<br>2.0 | 21.8 [6.4]<br>16.8 [4.9]<br>2.0 | 21.7 [6.4]<br>16.5 [4.8]<br>2.0 | 20.9 [6.1]<br>14.2 [4.2]<br>2.0 | 20.2 [5.9]<br>19.3 [5.7]<br>2.0 | 20.1 [5.9]<br>18.9 [5.5]<br>2.0 | 19.4 [5.7]<br>16.5 [4.8]<br>2.0 |
|   | 110 [43.3] | Total BTUH [kW]<br>Sens BTUH [kW]<br>Power | 22.8 [6.7]<br>13.3 [3.9]<br>2.2 | 22.7 [6.7]<br>13.0 [3.8]<br>2.2 | 21.9 [6.4]<br>11.1 [3.3]<br>2.1 | 20.8 [6.1]<br>16.3 [4.8]<br>2.2 | 20.7 [6.1]<br>16.0 [4.7]<br>2.1 | 19.9 [5.8]<br>13.8 [4.0]<br>2.1 | 19.1 [5.6]<br>18.6 [5.4]<br>2.1 | 19.0 [5.6]<br>18.3 [5.4]<br>2.1 | 18.3 [5.4]<br>16.0 [4.7]<br>2.1 |
|   | 115 [46.1] | Total BTUH [kW]<br>Sens BTUH [kW]<br>Power | 21.7 [6.4]<br>12.8 [3.8]<br>2.3 | 21.6 [6.3]<br>12.5 [3.7]<br>2.3 | 20.8 [6.1]<br>10.6 [3.1]<br>2.2 | 19.7 [5.8]<br>15.8 [4.6]<br>2.3 | 19.6 [5.7]<br>15.5 [4.5]<br>2.3 | 18.9 [5.5]<br>13.4 [3.9]<br>2.2 | 18.0 [5.3]<br>18.0 [5.3]<br>2.3 | 18.0 [5.3]<br>17.9 [5.2]<br>2.3 | 17.3 [5.1]<br>15.6 [4.6]<br>2.2 |

DR —Depression ratio  
dbE —Entering air dry bulb  
wbE—Entering air wet bulb

Total —Total capacity x 1000 BTUH  
Sens —Sensible capacity x 1000 BTUH  
Power—KW input

**NOTES:**

① When the entering air dry bulb is other than 80°F [27°C], adjust the sensible capacity from the table by adding  $[1.10 \times \text{CFM} \times (1 - \text{DR}) \times (\text{dbE} - 80)]$ .

## HEATING PERFORMANCE DATA—RHPAZR024AJT

|                                      |                          | IDB                      | 60°F [15.5°C]     |                   |                   | 70°F [21.1°C]     |                   |                   | 80°F [26.7°C]     |                   |                   |
|--------------------------------------|--------------------------|--------------------------|-------------------|-------------------|-------------------|-------------------|-------------------|-------------------|-------------------|-------------------|-------------------|
|                                      |                          | CFM [L/s]                | 7200 [3398]       | 6025 [2843]       | 4800 [2265]       | 7200 [3398]       | 6025 [2843]       | 4800 [2265]       | 7200 [3398]       | 6025 [2843]       | 4800 [2265]       |
| OUTDOOR DRY BULB TEMPERATURE °F [°C] | 0 [-17.8]                | Total BTUH [kW]<br>Power | 6.0 [1.8]<br>1.1  | 6.0 [1.8]<br>1.1  | 5.9 [1.7]<br>1.2  | 4.8 [1.4]<br>1.3  | 4.8 [1.4]<br>1.3  | 4.8 [1.4]<br>1.3  | 3.7 [1.1]<br>1.5  | 3.7 [1.1]<br>1.5  | 3.6 [1.1]<br>1.5  |
|                                      | 5 [-15]                  | Total BTUH [kW]<br>Power | 7.8 [2.3]<br>1.1  | 7.7 [2.3]<br>1.2  | 7.6 [2.2]<br>1.2  | 6.6 [1.9]<br>1.3  | 6.6 [1.9]<br>1.3  | 6.5 [1.9]<br>1.3  | 5.5 [1.6]<br>1.5  | 5.5 [1.6]<br>1.5  | 5.4 [1.6]<br>1.5  |
|                                      | 10 [-12.2]               | Total BTUH [kW]<br>Power | 9.5 [2.8]<br>1.2  | 9.5 [2.8]<br>1.2  | 9.4 [2.8]<br>1.2  | 8.4 [2.5]<br>1.3  | 8.4 [2.5]<br>1.3  | 8.3 [2.4]<br>1.4  | 7.3 [2.1]<br>1.5  | 7.3 [2.1]<br>1.5  | 7.2 [2.1]<br>1.6  |
|                                      | 15 [-9.4]                | Total BTUH [kW]<br>Power | 11.3 [3.3]<br>1.2 | 11.3 [3.3]<br>1.2 | 11.1 [3.3]<br>1.2 | 10.2 [3.0]<br>1.4 | 10.2 [3.0]<br>1.4 | 10.0 [2.9]<br>1.4 | 9.1 [2.7]<br>1.5  | 9.0 [2.6]<br>1.6  | 8.9 [2.6]<br>1.6  |
|                                      | 20 [-6.7]                | Total BTUH [kW]<br>Power | 13.1 [3.8]<br>1.2 | 13.1 [3.8]<br>1.2 | 12.9 [3.8]<br>1.3 | 12.0 [3.5]<br>1.4 | 12.0 [3.5]<br>1.4 | 11.8 [3.5]<br>1.4 | 10.9 [3.2]<br>1.6 | 10.8 [3.2]<br>1.6 | 10.7 [3.1]<br>1.6 |
|                                      | 25 [-3.9]                | Total BTUH [kW]<br>Power | 14.9 [4.4]<br>1.3 | 14.9 [4.4]<br>1.3 | 14.7 [4.3]<br>1.3 | 13.8 [4.0]<br>1.4 | 13.7 [4.0]<br>1.4 | 13.5 [4.0]<br>1.4 | 12.6 [3.7]<br>1.6 | 12.6 [3.7]<br>1.6 | 12.4 [3.6]<br>1.7 |
|                                      | 30 [-1.1]                | Total BTUH [kW]<br>Power | 16.7 [4.9]<br>1.3 | 16.7 [4.9]<br>1.3 | 16.4 [4.8]<br>1.3 | 15.6 [4.6]<br>1.4 | 15.5 [4.5]<br>1.4 | 15.3 [4.5]<br>1.5 | 14.4 [4.2]<br>1.6 | 14.4 [4.2]<br>1.6 | 14.2 [4.2]<br>1.7 |
|                                      | 35 [1.7]                 | Total BTUH [kW]<br>Power | 18.5 [5.4]<br>1.3 | 18.4 [5.4]<br>1.3 | 18.2 [5.3]<br>1.4 | 17.3 [5.1]<br>1.5 | 17.3 [5.1]<br>1.5 | 17.1 [5.0]<br>1.5 | 16.2 [4.7]<br>1.7 | 16.2 [4.7]<br>1.7 | 15.9 [4.7]<br>1.7 |
|                                      | 40 [4.4]                 | Total BTUH [kW]<br>Power | 20.3 [5.9]<br>1.3 | 20.2 [5.9]<br>1.4 | 19.9 [5.8]<br>1.4 | 19.1 [5.6]<br>1.5 | 19.1 [5.6]<br>1.5 | 18.8 [5.5]<br>1.5 | 18.0 [5.3]<br>1.7 | 18.0 [5.3]<br>1.7 | 17.7 [5.2]<br>1.7 |
|                                      | 45 [7.2]                 | Total BTUH [kW]<br>Power | 22.1 [6.5]<br>1.4 | 22.0 [6.4]<br>1.4 | 21.7 [6.4]<br>1.4 | 20.9 [6.1]<br>1.5 | 20.9 [6.1]<br>1.5 | 20.6 [6.0]<br>1.6 | 19.8 [5.8]<br>1.7 | 19.7 [5.8]<br>1.7 | 19.5 [5.7]<br>1.8 |
| 50 [10]                              | Total BTUH [kW]<br>Power | 23.8 [7.0]<br>1.4        | 23.8 [7.0]<br>1.4 | 23.5 [6.9]<br>1.4 | 22.7 [6.7]<br>1.5 | 22.7 [6.7]<br>1.6 | 22.3 [6.5]<br>1.6 | 21.6 [6.3]<br>1.7 | 21.5 [6.3]<br>1.8 | 21.2 [6.2]<br>1.8 |                   |

IDB—Indoor air dry bulb

[ ] Designates Metric Conversions

## COOLING PERFORMANCE DATA—RHPAZR030AJT

| ENTERING INDOOR AIR @ 80°F [26.7°C] dbE ①   |               |  |                                  |                                  |                                  |                                  |                                  |                                 |                                 |                                 |                                 |
|---|---------------|--|----------------------------------|----------------------------------|----------------------------------|----------------------------------|----------------------------------|---------------------------------|---------------------------------|---------------------------------|---------------------------------|
| wbE   |               | 71°F [21.7°C]                              |                                  |                                  | 67°F [19.4°C]                    |                                  |                                  | 63°F [17.2°C]                   |                                 |                                 |                                 |
| CFM [L/s]   |               | 1120 [529]                                 | 1080 [510]                       | 880 [415]                        | 1120 [529]                       | 1080 [510]                       | 880 [415]                        | 1120 [529]                      | 1080 [510]                      | 880 [415]                       |                                 |
| DR ①  |               | 0.18                                       | 0.19                             | 0.22                             | 0.18                             | 0.19                             | 0.22                             | 0.18                            | 0.19                            | 0.22                            |                                 |
| O<br>U<br>T<br>D<br>O<br>O<br>R<br><br>D<br>R<br>Y<br><br>B<br>U<br>L<br>B<br><br>T<br>E<br>M<br>P<br>E<br>R<br>A<br>T<br>U<br>R<br>E<br><br>°<br>F<br>[<br>°<br>C] | 75<br>[23.9]  | Total BTUH [kW]<br>Sens BTUH [kW]<br>Power | 36.9 [10.8]<br>21.5 [6.3]<br>1.7 | 36.7 [10.8]<br>20.9 [6.1]<br>1.7 | 35.5 [10.4]<br>18.0 [5.3]<br>1.7 | 34.7 [10.2]<br>25.5 [7.5]<br>1.7 | 34.4 [10.1]<br>24.8 [7.3]<br>1.7 | 33.3 [9.8]<br>21.7 [6.4]<br>1.7 | 32.4 [9.5]<br>27.8 [8.1]<br>1.7 | 32.2 [9.4]<br>27.1 [7.9]<br>1.7 | 31.1 [9.1]<br>23.8 [7.0]<br>1.7 |
|   | 80<br>[26.7]  | Total BTUH [kW]<br>Sens BTUH [kW]<br>Power | 35.9 [10.5]<br>21.1 [6.2]<br>1.8 | 35.7 [10.5]<br>20.5 [6.0]<br>1.8 | 34.5 [10.1]<br>17.6 [5.2]<br>1.8 | 33.6 [9.8]<br>25.0 [7.3]<br>1.8  | 33.4 [9.8]<br>24.4 [7.1]<br>1.8  | 32.3 [9.5]<br>21.3 [6.2]<br>1.8 | 31.3 [9.2]<br>27.3 [8.0]<br>1.8 | 31.1 [9.1]<br>26.6 [7.8]<br>1.8 | 30.1 [8.8]<br>23.4 [6.9]<br>1.8 |
|   | 85<br>[29.4]  | Total BTUH [kW]<br>Sens BTUH [kW]<br>Power | 34.8 [10.2]<br>20.5 [6.0]<br>2.0 | 34.6 [10.1]<br>20.0 [5.9]<br>1.9 | 33.4 [9.8]<br>17.2 [5.0]<br>1.9  | 32.5 [9.5]<br>24.5 [7.2]<br>1.9  | 32.3 [9.5]<br>23.9 [7.0]<br>1.9  | 31.2 [9.1]<br>20.8 [6.1]<br>1.9 | 30.2 [8.8]<br>26.8 [7.9]<br>1.9 | 30.0 [8.8]<br>26.1 [7.6]<br>1.9 | 29.0 [8.5]<br>22.9 [6.7]<br>1.9 |
|   | 90<br>[32.2]  | Total BTUH [kW]<br>Sens BTUH [kW]<br>Power | 33.6 [9.8]<br>19.8 [5.8]<br>2.1  | 33.4 [9.8]<br>19.3 [5.7]<br>2.1  | 32.3 [9.5]<br>16.6 [4.9]<br>2.0  | 31.4 [9.2]<br>24.0 [7.0]<br>2.1  | 31.2 [9.1]<br>23.4 [6.9]<br>2.1  | 30.1 [8.8]<br>20.4 [6.0]<br>2.0 | 29.1 [8.5]<br>26.2 [7.7]<br>2.0 | 28.9 [8.5]<br>25.6 [7.5]<br>2.0 | 27.9 [8.2]<br>22.5 [6.6]<br>2.0 |
|   | 95<br>[35]    | Total BTUH [kW]<br>Sens BTUH [kW]<br>Power | 32.4 [9.5]<br>19.2 [5.6]<br>2.2  | 32.2 [9.4]<br>18.7 [5.5]<br>2.2  | 31.1 [9.1]<br>16.1 [4.7]<br>2.2  | 30.2 [8.8]<br>23.3 [6.8]<br>2.2  | 30.0 [8.8]<br>22.7 [6.7]<br>2.2  | 29.0 [8.5]<br>19.8 [5.8]<br>2.2 | 27.9 [8.2]<br>25.5 [7.5]<br>2.2 | 27.7 [8.1]<br>24.9 [7.3]<br>2.2 | 26.8 [7.9]<br>21.9 [6.4]<br>2.1 |
|   | 100<br>[37.8] | Total BTUH [kW]<br>Sens BTUH [kW]<br>Power | 31.2 [9.1]<br>18.5 [5.4]<br>2.4  | 31.0 [9.1]<br>18.0 [5.3]<br>2.4  | 29.9 [8.8]<br>15.4 [4.5]<br>2.4  | 28.9 [8.5]<br>22.5 [6.6]<br>2.4  | 28.7 [8.4]<br>21.9 [6.4]<br>2.4  | 27.7 [8.1]<br>19.1 [5.6]<br>2.3 | 26.6 [7.8]<br>24.7 [7.2]<br>2.4 | 26.4 [7.7]<br>24.1 [7.1]<br>2.3 | 25.5 [7.5]<br>21.2 [6.2]<br>2.3 |
|   | 105<br>[40.6] | Total BTUH [kW]<br>Sens BTUH [kW]<br>Power | 29.8 [8.7]<br>17.6 [5.2]<br>2.6  | 29.6 [8.7]<br>17.1 [5.0]<br>2.6  | 28.6 [8.4]<br>14.7 [4.3]<br>2.5  | 27.6 [8.1]<br>21.7 [6.4]<br>2.6  | 27.4 [8.0]<br>21.1 [6.2]<br>2.5  | 26.5 [7.8]<br>18.5 [5.4]<br>2.5 | 25.3 [7.4]<br>23.9 [7.0]<br>2.5 | 25.1 [7.4]<br>23.3 [6.8]<br>2.5 | 24.3 [7.1]<br>20.6 [6.0]<br>2.5 |
|   | 110<br>[43.3] | Total BTUH [kW]<br>Sens BTUH [kW]<br>Power | 28.5 [8.4]<br>16.7 [4.9]<br>2.8  | 28.3 [8.3]<br>16.2 [4.7]<br>2.8  | 27.3 [8.0]<br>13.9 [4.1]<br>2.7  | 26.2 [7.7]<br>20.8 [6.1]<br>2.8  | 26.0 [7.6]<br>20.2 [5.9]<br>2.7  | 25.1 [7.4]<br>17.6 [5.2]<br>2.7 | 23.9 [7.0]<br>23.0 [6.7]<br>2.7 | 23.7 [6.9]<br>22.4 [6.6]<br>2.7 | 22.9 [6.7]<br>19.7 [5.8]<br>2.7 |
|   | 115<br>[46.1] | Total BTUH [kW]<br>Sens BTUH [kW]<br>Power | 27.0 [7.9]<br>15.7 [4.6]<br>3.0  | 26.8 [7.9]<br>15.2 [4.5]<br>3.0  | 25.9 [7.6]<br>13.1 [3.8]<br>2.9  | 24.8 [7.3]<br>19.7 [5.8]<br>3.0  | 24.6 [7.2]<br>19.2 [5.6]<br>3.0  | 23.8 [7.0]<br>16.8 [4.9]<br>2.9 | 22.5 [6.6]<br>22.0 [6.4]<br>2.9 | 22.3 [6.5]<br>21.4 [6.3]<br>2.9 | 21.6 [6.3]<br>18.9 [5.5]<br>2.9 |

DR —Depression ratio  
dbE —Entering air dry bulb  
wbE—Entering air wet bulb

Total —Total capacity x 1000 BTUH  
Sens —Sensible capacity x 1000 BTUH  
Power—KW input

**NOTES:**

① When the entering air dry bulb is other than 80°F [27°C], adjust the sensible capacity from the table by adding [1.10 x CFM x (1 – DR) x (dbE – 80)].

## HEATING PERFORMANCE DATA—RHPAZR030AJT

| IDB   |                          |                          |                   |                   |                   |                   |                   |                   |                   |                   |                   |
|---|--------------------------|--------------------------|-------------------|-------------------|-------------------|-------------------|-------------------|-------------------|-------------------|-------------------|-------------------|
| CFM [L/s]   |                          | 60°F [15.5°C]            |                   |                   | 70°F [21.1°C]     |                   |                   | 80°F [26.7°C]     |                   |                   |                   |
| IDB   |                          | 1120 [529]               | 1080 [510]        | 880 [415]         | 1120 [529]        | 1080 [510]        | 880 [415]         | 1120 [529]        | 1080 [510]        | 880 [415]         |                   |
| O<br>U<br>T<br>D<br>O<br>O<br>R<br><br>D<br>R<br>Y<br><br>B<br>U<br>L<br>B<br><br>T<br>E<br>M<br>P<br>E<br>R<br>A<br>T<br>U<br>R<br>E<br><br>°<br>F<br>[<br>°<br>C] | 0<br>[-17.8]             | Total BTUH [kW]<br>Power | 9.3 [2.7]<br>1.7  | 9.2 [2.7]<br>1.7  | 9.1 [2.7]<br>1.8  | 8.0 [2.3]<br>1.7  | 8.0 [2.3]<br>1.7  | 7.9 [2.3]<br>1.7  | 6.7 [2.0]<br>2.1  | 6.7 [2.0]<br>2.1  | 6.6 [1.9]<br>2.2  |
|   | 5<br>[-15]               | Total BTUH [kW]<br>Power | 11.3 [3.3]<br>1.8 | 11.3 [3.3]<br>1.8 | 11.1 [3.3]<br>1.8 | 10.0 [2.9]<br>1.7 | 10.0 [2.9]<br>1.7 | 9.9 [2.9]<br>1.7  | 8.8 [2.6]<br>2.2  | 8.7 [2.5]<br>2.2  | 8.6 [2.5]<br>2.2  |
|   | 10<br>[-12.2]            | Total BTUH [kW]<br>Power | 13.4 [3.9]<br>1.8 | 13.3 [3.9]<br>1.8 | 13.2 [3.9]<br>1.8 | 12.1 [3.5]<br>1.7 | 12.1 [3.5]<br>1.7 | 11.9 [3.5]<br>1.8 | 10.8 [3.2]<br>2.2 | 10.8 [3.2]<br>2.2 | 10.7 [3.1]<br>2.3 |
|   | 15<br>[-9.4]             | Total BTUH [kW]<br>Power | 15.4 [4.5]<br>1.8 | 15.4 [4.5]<br>1.8 | 15.2 [4.5]<br>1.9 | 14.2 [4.2]<br>1.8 | 14.1 [4.1]<br>1.8 | 13.9 [4.1]<br>1.8 | 12.9 [3.8]<br>2.2 | 12.8 [3.8]<br>2.2 | 12.7 [3.7]<br>2.3 |
|   | 20<br>[-6.7]             | Total BTUH [kW]<br>Power | 17.5 [5.1]<br>1.9 | 17.4 [5.1]<br>1.9 | 17.2 [5.0]<br>1.9 | 16.2 [4.7]<br>1.8 | 16.2 [4.7]<br>1.8 | 16.0 [4.7]<br>1.8 | 14.9 [4.4]<br>2.3 | 14.9 [4.4]<br>2.3 | 14.7 [4.3]<br>2.3 |
|   | 25<br>[-3.9]             | Total BTUH [kW]<br>Power | 19.5 [5.7]<br>1.9 | 19.5 [5.7]<br>1.9 | 19.2 [5.6]<br>1.9 | 18.3 [5.4]<br>1.8 | 18.2 [5.3]<br>1.8 | 18.0 [5.3]<br>1.9 | 17.0 [5.0]<br>2.3 | 17.0 [5.0]<br>2.3 | 16.7 [4.9]<br>2.4 |
|   | 30<br>[-1.1]             | Total BTUH [kW]<br>Power | 21.6 [6.3]<br>1.9 | 21.5 [6.3]<br>1.9 | 21.2 [6.2]<br>2.0 | 20.3 [5.9]<br>1.9 | 20.3 [5.9]<br>1.9 | 20.0 [5.9]<br>1.9 | 19.1 [5.6]<br>2.3 | 19.0 [5.6]<br>2.3 | 18.7 [5.5]<br>2.4 |
|   | 35<br>[1.7]              | Total BTUH [kW]<br>Power | 23.6 [6.9]<br>1.9 | 23.6 [6.9]<br>2.0 | 23.3 [6.8]<br>2.0 | 22.4 [6.6]<br>1.9 | 22.3 [6.5]<br>1.9 | 22.0 [6.4]<br>1.9 | 21.1 [6.2]<br>2.4 | 21.1 [6.2]<br>2.4 | 20.8 [6.1]<br>2.4 |
|   | 40<br>[4.4]              | Total BTUH [kW]<br>Power | 25.7 [7.5]<br>2.0 | 25.6 [7.5]<br>2.0 | 25.3 [7.4]<br>2.0 | 24.4 [7.1]<br>1.9 | 24.4 [7.1]<br>1.9 | 24.0 [7.0]<br>2.0 | 23.2 [6.8]<br>2.4 | 23.1 [6.8]<br>2.4 | 22.8 [6.7]<br>2.5 |
|   | 45<br>[7.2]              | Total BTUH [kW]<br>Power | 27.8 [8.1]<br>2.0 | 27.7 [8.1]<br>2.0 | 27.3 [8.0]<br>2.1 | 26.5 [7.8]<br>2.0 | 26.4 [7.7]<br>2.0 | 26.1 [7.6]<br>2.0 | 25.2 [7.4]<br>2.4 | 25.2 [7.4]<br>2.4 | 24.8 [7.3]<br>2.5 |
| 50<br>[10]  | Total BTUH [kW]<br>Power | 29.8 [8.7]<br>2.0        | 29.7 [8.7]<br>2.1 | 29.3 [8.6]<br>2.1 | 28.5 [8.4]<br>2.0 | 28.5 [8.4]<br>2.0 | 28.1 [8.2]<br>2.0 | 27.3 [8.0]<br>2.5 | 27.2 [8.0]<br>2.5 | 26.8 [7.9]<br>2.5 |                   |

IDB—Indoor air dry bulb

[ ] Designates Metric Conversions

## COOLING PERFORMANCE DATA—RHPAZR036AJT

|                              |            | ENTERING INDOOR AIR @ 80°F [26.7°C] dbE ①  |                                  |                                  |                                  |                                  |                                  |                                  |                                   |                                  |                                  |
|------------------------------|------------|--|----------------------------------|----------------------------------|----------------------------------|----------------------------------|----------------------------------|----------------------------------|-----------------------------------|----------------------------------|----------------------------------|
|                              |            | wbE  | 71°F [21.7°C]                    |                                  |                                  | 67°F [19.4°C]                    |                                  |                                  | 63°F [17.2°C]                     |                                  |                                  |
|                              |            | CFM [L/s]                                  | 1350 [637]                       | 1180 [557]                       | 1050 [496]                       | 1350 [637]                       | 1180 [557]                       | 1050 [496]                       | 1350 [637]                        | 1180 [557]                       | 1050 [496]                       |
|                              |            | DR ①                                       | 0.12                             | 0.15                             | 0.17                             | 0.12                             | 0.15                             | 0.17                             | 0.12                              | 0.15                             | 0.17                             |
| OUTDOOR DRY BULB TEMPERATURE | 75 [23.9]  | Total BTUH [kW]<br>Sens BTUH [kW]<br>Power | 44.2 [13.0]<br>25.7 [7.5]<br>2.4 | 43.0 [12.6]<br>22.9 [6.7]<br>2.3 | 42.2 [12.4]<br>21.0 [6.2]<br>2.3 | 41.1 [12.0]<br>30.9 [9.1]<br>2.3 | 40.1 [11.7]<br>28.0 [8.2]<br>2.3 | 39.3 [11.5]<br>25.8 [7.6]<br>2.3 | 39.2 [11.5]<br>34.5 [10.1]<br>2.3 | 38.2 [11.2]<br>31.3 [9.2]<br>2.3 | 37.5 [11.0]<br>29.0 [8.5]<br>2.3 |
|                              | 80 [26.7]  | Total BTUH [kW]<br>Sens BTUH [kW]<br>Power | 43.1 [12.6]<br>25.4 [7.4]<br>2.5 | 42.0 [12.3]<br>22.7 [6.7]<br>2.4 | 41.1 [12.0]<br>20.7 [6.1]<br>2.4 | 40.0 [11.7]<br>30.6 [9.0]<br>2.5 | 39.0 [11.4]<br>27.7 [8.1]<br>2.4 | 38.2 [11.2]<br>25.5 [7.5]<br>2.4 | 38.1 [11.2]<br>34.3 [10.0]<br>2.5 | 37.2 [10.9]<br>31.2 [9.1]<br>2.4 | 36.4 [10.7]<br>28.8 [8.4]<br>2.4 |
|                              | 85 [29.4]  | Total BTUH [kW]<br>Sens BTUH [kW]<br>Power | 41.8 [12.2]<br>25.0 [7.3]<br>2.6 | 40.8 [12.0]<br>22.4 [6.6]<br>2.6 | 40.0 [11.7]<br>20.5 [6.0]<br>2.6 | 38.8 [11.4]<br>30.3 [8.9]<br>2.6 | 37.8 [11.1]<br>27.4 [8.0]<br>2.6 | 37.1 [10.9]<br>25.3 [7.4]<br>2.5 | 36.9 [10.8]<br>33.8 [9.9]<br>2.6  | 36.0 [10.5]<br>30.8 [9.0]<br>2.6 | 35.3 [10.3]<br>28.6 [8.4]<br>2.5 |
|                              | 90 [32.2]  | Total BTUH [kW]<br>Sens BTUH [kW]<br>Power | 40.5 [11.9]<br>24.4 [7.1]<br>2.8 | 39.4 [11.5]<br>21.8 [6.4]<br>2.7 | 38.7 [11.3]<br>20.0 [5.9]<br>2.7 | 37.4 [11.0]<br>29.7 [8.7]<br>2.7 | 36.5 [10.7]<br>26.9 [7.9]<br>2.7 | 35.8 [10.5]<br>24.9 [7.3]<br>2.7 | 35.6 [10.4]<br>33.3 [9.8]<br>2.7  | 34.7 [10.2]<br>30.3 [8.9]<br>2.7 | 34.0 [10.0]<br>28.1 [8.2]<br>2.7 |
|                              | 95 [35]    | Total BTUH [kW]<br>Sens BTUH [kW]<br>Power | 39.0 [11.4]<br>23.7 [6.9]<br>2.9 | 38.0 [11.1]<br>21.2 [6.2]<br>2.9 | 37.3 [10.9]<br>19.4 [5.7]<br>2.8 | 36.0 [10.5]<br>29.0 [8.5]<br>2.9 | 35.1 [10.3]<br>26.3 [7.7]<br>2.9 | 34.4 [10.1]<br>24.3 [7.1]<br>2.8 | 34.1 [10.0]<br>32.6 [9.6]<br>2.9  | 33.2 [9.7]<br>29.6 [8.7]<br>2.9  | 32.6 [9.6]<br>27.5 [8.1]<br>2.8  |
|                              | 100 [37.8] | Total BTUH [kW]<br>Sens BTUH [kW]<br>Power | 37.4 [11.0]<br>22.8 [6.7]<br>3.1 | 36.5 [10.7]<br>20.5 [6.0]<br>3.0 | 35.7 [10.5]<br>18.7 [5.5]<br>3.0 | 34.4 [10.1]<br>28.2 [8.3]<br>3.1 | 33.5 [9.8]<br>25.5 [7.5]<br>3.0  | 32.8 [9.6]<br>23.5 [6.9]<br>3.0  | 32.5 [9.5]<br>31.7 [9.3]<br>3.1   | 31.7 [9.3]<br>28.9 [8.5]<br>3.0  | 31.0 [9.1]<br>26.8 [7.9]<br>3.0  |
|                              | 105 [40.6] | Total BTUH [kW]<br>Sens BTUH [kW]<br>Power | 35.7 [10.5]<br>21.9 [6.4]<br>3.2 | 34.8 [10.2]<br>19.6 [5.7]<br>3.2 | 34.1 [10.0]<br>17.9 [5.2]<br>3.2 | 32.7 [9.6]<br>27.2 [8.0]<br>3.2  | 31.8 [9.3]<br>24.6 [7.2]<br>3.2  | 31.2 [9.1]<br>22.8 [6.7]<br>3.2  | 30.8 [9.0]<br>30.7 [9.0]<br>3.2   | 30.0 [8.8]<br>28.0 [8.2]<br>3.2  | 29.4 [8.6]<br>26.0 [7.6]<br>3.1  |
|                              | 110 [43.3] | Total BTUH [kW]<br>Sens BTUH [kW]<br>Power | 33.8 [9.9]<br>20.7 [6.1]<br>3.4  | 33.0 [9.7]<br>18.6 [5.4]<br>3.4  | 32.3 [9.5]<br>17.0 [5.0]<br>3.3  | 30.8 [9.0]<br>26.0 [7.6]<br>3.4  | 30.0 [8.8]<br>23.6 [6.9]<br>3.4  | 29.4 [8.6]<br>21.8 [6.4]<br>3.3  | 28.9 [8.5]<br>28.9 [8.5]<br>3.4   | 28.2 [8.3]<br>27.0 [7.9]<br>3.4  | 27.6 [8.1]<br>25.0 [7.3]<br>3.3  |
|                              | 115 [46.1] | Total BTUH [kW]<br>Sens BTUH [kW]<br>Power | 31.9 [9.3]<br>19.5 [5.7]<br>3.6  | 31.1 [9.1]<br>17.5 [5.1]<br>3.6  | 30.4 [8.9]<br>15.9 [4.7]<br>3.5  | 28.8 [8.4]<br>24.8 [7.3]<br>3.6  | 28.1 [8.2]<br>22.5 [6.6]<br>3.5  | 27.5 [8.1]<br>20.8 [6.1]<br>3.5  | 27.0 [7.9]<br>27.0 [7.9]<br>3.6   | 26.3 [7.7]<br>25.9 [7.6]<br>3.5  | 25.7 [7.5]<br>24.0 [7.0]<br>3.5  |

DR —Depression ratio  
dbE —Entering air dry bulb  
wbE—Entering air wet bulb

Total —Total capacity x 1000 BTUH  
Sens —Sensible capacity x 1000 BTUH  
Power—KW input

**NOTES:**

① When the entering air dry bulb is other than 80°F [27°C], adjust the sensible capacity from the table by adding  $[1.10 \times \text{CFM} \times (1 - \text{DR}) \times (\text{dbE} - 80)]$ .

## HEATING PERFORMANCE DATA—RHPAZR036AJT

|                              |                          | IDB                      | 60°F [15.5°C]      |                    |                    | 70°F [21.1°C]      |                    |                    | 80°F [26.7°C]     |                   |                   |
|------------------------------|--------------------------|--------------------------|--------------------|--------------------|--------------------|--------------------|--------------------|--------------------|-------------------|-------------------|-------------------|
|                              |                          | CFM [L/s]                | 1350 [637]         | 1180 [557]         | 1050 [496]         | 1350 [637]         | 1180 [557]         | 1050 [496]         | 1350 [637]        | 1180 [557]        | 1050 [496]        |
| OUTDOOR DRY BULB TEMPERATURE | 0 [-17.8]                | Total BTUH [kW]<br>Power | 10.1 [3.0]<br>1.8  | 10.0 [2.9]<br>1.8  | 9.9 [2.9]<br>1.9   | 9.5 [2.8]<br>2.0   | 9.4 [2.8]<br>2.1   | 9.3 [2.7]<br>2.1   | 8.8 [2.6]<br>2.4  | 8.7 [2.5]<br>2.4  | 8.7 [2.5]<br>2.4  |
|                              | 5 [-15]                  | Total BTUH [kW]<br>Power | 12.6 [3.7]<br>1.9  | 12.5 [3.7]<br>1.9  | 12.4 [3.6]<br>1.9  | 12.0 [3.5]<br>2.1  | 11.9 [3.5]<br>2.1  | 11.8 [3.5]<br>2.2  | 11.4 [3.3]<br>2.4 | 11.3 [3.3]<br>2.5 | 11.2 [3.3]<br>2.5 |
|                              | 10 [-12.2]               | Total BTUH [kW]<br>Power | 15.2 [4.5]<br>1.9  | 15.0 [4.4]<br>1.9  | 14.9 [4.4]<br>2.0  | 14.5 [4.2]<br>2.1  | 14.4 [4.2]<br>2.2  | 14.3 [4.2]<br>2.2  | 13.9 [4.1]<br>2.5 | 13.8 [4.0]<br>2.5 | 13.7 [4.0]<br>2.5 |
|                              | 15 [-9.4]                | Total BTUH [kW]<br>Power | 17.7 [5.2]<br>2.0  | 17.5 [5.1]<br>2.0  | 17.4 [5.1]<br>2.0  | 17.1 [5.0]<br>2.2  | 16.9 [5.0]<br>2.2  | 16.8 [4.9]<br>2.3  | 16.4 [4.8]<br>2.5 | 16.3 [4.8]<br>2.6 | 16.1 [4.7]<br>2.6 |
|                              | 20 [-6.7]                | Total BTUH [kW]<br>Power | 20.2 [5.9]<br>2.0  | 20.0 [5.9]<br>2.1  | 19.9 [5.8]<br>2.1  | 19.6 [5.7]<br>2.3  | 19.4 [5.7]<br>2.3  | 19.3 [5.7]<br>2.3  | 19.0 [5.6]<br>2.6 | 18.8 [5.5]<br>2.6 | 18.6 [5.4]<br>2.7 |
|                              | 25 [-3.9]                | Total BTUH [kW]<br>Power | 22.8 [6.7]<br>2.1  | 22.5 [6.6]<br>2.1  | 22.4 [6.6]<br>2.1  | 22.1 [6.5]<br>2.3  | 21.9 [6.4]<br>2.4  | 21.7 [6.4]<br>2.4  | 21.5 [6.3]<br>2.6 | 21.3 [6.2]<br>2.7 | 21.1 [6.2]<br>2.7 |
|                              | 30 [-1.1]                | Total BTUH [kW]<br>Power | 25.3 [7.4]<br>2.1  | 25.1 [7.4]<br>2.2  | 24.9 [7.3]<br>2.2  | 24.7 [7.2]<br>2.4  | 24.4 [7.1]<br>2.4  | 24.2 [7.1]<br>2.4  | 24.0 [7.0]<br>2.7 | 23.8 [7.0]<br>2.7 | 23.6 [6.9]<br>2.8 |
|                              | 35 [1.7]                 | Total BTUH [kW]<br>Power | 27.8 [8.1]<br>2.2  | 27.6 [8.1]<br>2.2  | 27.3 [8.0]<br>2.3  | 27.2 [8.0]<br>2.4  | 26.9 [7.9]<br>2.5  | 26.7 [7.8]<br>2.5  | 26.6 [7.8]<br>2.7 | 26.3 [7.7]<br>2.8 | 26.1 [7.6]<br>2.8 |
|                              | 40 [4.4]                 | Total BTUH [kW]<br>Power | 30.4 [8.9]<br>2.2  | 30.1 [8.8]<br>2.3  | 29.8 [8.7]<br>2.3  | 29.7 [8.7]<br>2.5  | 29.4 [8.6]<br>2.5  | 29.2 [8.6]<br>2.6  | 29.1 [8.5]<br>2.8 | 28.8 [8.4]<br>2.8 | 28.6 [8.4]<br>2.9 |
|                              | 45 [7.2]                 | Total BTUH [kW]<br>Power | 32.9 [9.6]<br>2.3  | 32.6 [9.6]<br>2.3  | 32.3 [9.5]<br>2.4  | 32.3 [9.5]<br>2.5  | 31.9 [9.3]<br>2.6  | 31.7 [9.3]<br>2.6  | 31.6 [9.3]<br>2.9 | 31.3 [9.2]<br>2.9 | 31.1 [9.1]<br>2.9 |
| 50 [10]                      | Total BTUH [kW]<br>Power | 35.4 [10.4]<br>2.3       | 35.1 [10.3]<br>2.4 | 34.8 [10.2]<br>2.4 | 34.8 [10.2]<br>2.6 | 34.5 [10.1]<br>2.6 | 34.2 [10.0]<br>2.7 | 34.2 [10.0]<br>2.9 | 33.8 [9.9]<br>3.0 | 33.6 [9.8]<br>3.0 |                   |

IDB—Indoor air dry bulb

[ ] Designates Metric Conversions

## COOLING PERFORMANCE DATA—RHPXZR042AJT

| ENTERING INDOOR AIR @ 80°F [26.7°C] dbE ①   |               |  |                                  |                                  |                                  |                                   |                                   |                                  |                                   |                                   |                                   |
|---|---------------|--|----------------------------------|----------------------------------|----------------------------------|-----------------------------------|-----------------------------------|----------------------------------|-----------------------------------|-----------------------------------|-----------------------------------|
| wbE   |               | 71°F [21.7°C]                              |                                  |                                  | 67°F [19.4°C]                    |                                   |                                   | 63°F [17.2°C]                    |                                   |                                   |                                   |
| CFM [L/s]   |               | 1580 [746]                                 | 1425 [673]                       | 1220 [576]                       | 1580 [746]                       | 1425 [673]                        | 1220 [576]                        | 1580 [746]                       | 1425 [673]                        | 1220 [576]                        |                                   |
| DR ①  |               | 0.1  | 0.11                             | 0.14                             | 0.1                              | 0.11                              | 0.14                              | 0.1                              | 0.11                              | 0.14                              |                                   |
| O<br>U<br>T<br>D<br>O<br>O<br>R<br><br>D<br>R<br>Y<br><br>B<br>U<br>L<br>B<br><br>T<br>E<br>M<br>P<br>E<br>R<br>A<br>T<br>U<br>R<br>E<br><br>°<br>F<br>[<br>°<br>C] | 75<br>[23.9]  | Total BTUH [kW]<br>Sens BTUH [kW]<br>Power | 54.0 [15.8]<br>33.6 [9.8]<br>2.4 | 52.9 [15.5]<br>30.9 [9.1]<br>2.4 | 51.5 [15.1]<br>27.5 [8.1]<br>2.4 | 50.1 [14.7]<br>38.7 [11.3]<br>2.4 | 49.1 [14.4]<br>35.8 [10.5]<br>2.4 | 47.8 [14.0]<br>32.2 [9.4]<br>2.4 | 47.0 [13.8]<br>42.2 [12.4]<br>2.4 | 46.1 [13.5]<br>39.3 [11.5]<br>2.4 | 44.9 [13.2]<br>35.5 [10.4]<br>2.4 |
|   | 80<br>[26.7]  | Total BTUH [kW]<br>Sens BTUH [kW]<br>Power | 52.5 [15.4]<br>32.8 [9.6]<br>2.6 | 51.4 [15.1]<br>30.1 [8.8]<br>2.6 | 50.1 [14.7]<br>26.9 [7.9]<br>2.5 | 48.5 [14.2]<br>37.7 [11.0]<br>2.6 | 47.6 [13.9]<br>35.0 [10.3]<br>2.5 | 46.4 [13.6]<br>31.5 [9.2]<br>2.5 | 45.5 [13.3]<br>41.5 [12.2]<br>2.6 | 44.6 [13.1]<br>38.6 [11.3]<br>2.5 | 43.4 [12.7]<br>34.9 [10.2]<br>2.5 |
|   | 85<br>[29.4]  | Total BTUH [kW]<br>Sens BTUH [kW]<br>Power | 50.9 [14.9]<br>31.9 [9.3]<br>2.7 | 49.9 [14.6]<br>29.4 [8.6]<br>2.7 | 48.6 [14.2]<br>26.2 [7.7]<br>2.7 | 47.0 [13.8]<br>37.0 [10.8]<br>2.7 | 46.1 [13.5]<br>34.3 [10.0]<br>2.7 | 44.9 [13.2]<br>30.9 [9.1]<br>2.7 | 43.9 [12.9]<br>40.6 [11.9]<br>2.7 | 43.0 [12.6]<br>37.7 [11.0]<br>2.7 | 41.9 [12.3]<br>34.1 [10.0]<br>2.7 |
|   | 90<br>[32.2]  | Total BTUH [kW]<br>Sens BTUH [kW]<br>Power | 49.3 [14.4]<br>31.0 [9.1]<br>2.9 | 48.3 [14.2]<br>28.5 [8.4]<br>2.9 | 47.1 [13.8]<br>25.5 [7.5]<br>2.9 | 45.4 [13.3]<br>36.1 [10.6]<br>2.9 | 44.5 [13.0]<br>33.5 [9.8]<br>2.9  | 43.3 [12.7]<br>30.1 [8.8]<br>2.9 | 42.3 [12.4]<br>39.7 [11.6]<br>2.9 | 41.5 [12.2]<br>37.0 [10.8]<br>2.9 | 40.4 [11.8]<br>33.5 [9.8]<br>2.8  |
|   | 95<br>[35]    | Total BTUH [kW]<br>Sens BTUH [kW]<br>Power | 47.6 [13.9]<br>30.1 [8.8]<br>3.1 | 46.7 [13.7]<br>27.7 [8.1]<br>3.1 | 45.5 [13.3]<br>24.7 [7.2]<br>3.0 | 43.7 [12.8]<br>35.1 [10.3]<br>3.1 | 42.9 [12.6]<br>32.6 [9.6]<br>3.1  | 41.8 [12.2]<br>29.4 [8.6]<br>3.0 | 40.6 [11.9]<br>38.7 [11.3]<br>3.1 | 39.9 [11.7]<br>36.1 [10.6]<br>3.1 | 38.8 [11.4]<br>32.7 [9.6]<br>3.0  |
|   | 100<br>[37.8] | Total BTUH [kW]<br>Sens BTUH [kW]<br>Power | 46.0 [13.5]<br>29.1 [8.5]<br>3.3 | 45.1 [13.2]<br>26.8 [7.9]<br>3.3 | 43.9 [12.9]<br>23.9 [7.0]<br>3.2 | 42.1 [12.3]<br>34.1 [10.0]<br>3.3 | 41.2 [12.1]<br>31.6 [9.3]<br>3.3  | 40.2 [11.8]<br>28.5 [8.4]<br>3.2 | 39.0 [11.4]<br>37.8 [11.1]<br>3.3 | 38.2 [11.2]<br>35.2 [10.3]<br>3.3 | 37.2 [10.9]<br>31.9 [9.3]<br>3.2  |
|   | 105<br>[40.6] | Total BTUH [kW]<br>Sens BTUH [kW]<br>Power | 44.3 [13.0]<br>28.2 [8.3]<br>3.5 | 43.4 [12.7]<br>25.9 [7.6]<br>3.5 | 42.3 [12.4]<br>23.1 [6.8]<br>3.5 | 40.4 [11.8]<br>33.2 [9.7]<br>3.5  | 39.6 [11.6]<br>30.8 [9.0]<br>3.5  | 38.5 [11.3]<br>27.7 [8.1]<br>3.4 | 37.3 [10.9]<br>36.8 [10.8]<br>3.5 | 36.5 [10.7]<br>34.2 [10.0]<br>3.5 | 35.6 [10.4]<br>31.1 [9.1]<br>3.4  |
|   | 110<br>[43.3] | Total BTUH [kW]<br>Sens BTUH [kW]<br>Power | 42.5 [12.5]<br>27.0 [7.9]<br>3.8 | 41.7 [12.2]<br>24.9 [7.3]<br>3.7 | 40.6 [11.9]<br>22.2 [6.5]<br>3.7 | 38.6 [11.3]<br>32.0 [9.4]<br>3.7  | 37.9 [11.1]<br>29.8 [8.7]<br>3.7  | 36.9 [10.8]<br>26.9 [7.9]<br>3.7 | 35.5 [10.4]<br>35.5 [10.4]<br>3.7 | 34.8 [10.2]<br>33.2 [9.7]<br>3.7  | 33.9 [9.9]<br>30.1 [8.8]<br>3.7   |
|   | 115<br>[46.1] | Total BTUH [kW]<br>Sens BTUH [kW]<br>Power | 40.7 [11.9]<br>25.8 [7.6]<br>4.0 | 39.9 [11.7]<br>23.8 [7.0]<br>4.0 | 38.9 [11.4]<br>21.3 [6.2]<br>3.9 | 36.8 [10.8]<br>30.9 [9.1]<br>4.0  | 36.1 [10.6]<br>28.7 [8.4]<br>3.9  | 35.2 [10.3]<br>25.9 [7.6]<br>3.9 | 33.7 [9.9]<br>33.7 [9.9]<br>4.0   | 33.1 [9.7]<br>32.3 [9.5]<br>3.9   | 32.2 [9.4]<br>29.3 [8.6]<br>3.9   |

DR —Depression ratio  
dbE —Entering air dry bulb  
wbE—Entering air wet bulb

Total —Total capacity x 1000 BTUH  
Sens —Sensible capacity x 1000 BTUH  
Power —KW input

NOTES:  
① When the entering air dry bulb is other than 80°F [27°C], adjust the sensible capacity from the table by adding [1.10 x CFM x (1 – DR) x (dbE – 80)].

## HEATING PERFORMANCE DATA—RHPXZR042AJT

| IDB   |               | 60°F [15.5°C]            |                    |                    | 70°F [21.1°C]      |                    |                    | 80°F [26.7°C]      |                    |                    |                    |
|---|---------------|--------------------------|--------------------|--------------------|--------------------|--------------------|--------------------|--------------------|--------------------|--------------------|--------------------|
| CFM [L/s]   |               | 1580 [746]               | 1425 [673]         | 1220 [576]         | 1580 [746]         | 1425 [673]         | 1220 [576]         | 1580 [746]         | 1425 [673]         | 1220 [576]         |                    |
| O<br>U<br>T<br>D<br>O<br>O<br>R<br><br>D<br>R<br>Y<br><br>B<br>U<br>L<br>B<br><br>T<br>E<br>M<br>P<br>E<br>R<br>A<br>T<br>U<br>R<br>E<br><br>°<br>F<br>[<br>°<br>C] | 0<br>[-17.8]  | Total BTUH [kW]<br>Power | 12.0 [3.5]<br>2.0  | 11.9 [3.5]<br>2.0  | 11.7 [3.4]<br>2.0  | 11.2 [3.3]<br>2.2  | 11.1 [3.3]<br>2.2  | 11.0 [3.2]<br>2.3  | 10.4 [3.0]<br>2.8  | 10.3 [3.0]<br>2.8  | 10.2 [3.0]<br>2.9  |
|   | 5<br>[-15]    | Total BTUH [kW]<br>Power | 14.9 [4.4]<br>2.0  | 14.8 [4.3]<br>2.1  | 14.6 [4.3]<br>2.1  | 14.1 [4.1]<br>2.3  | 14.0 [4.1]<br>2.3  | 13.9 [4.1]<br>2.3  | 13.4 [3.9]<br>2.8  | 13.3 [3.9]<br>2.9  | 13.1 [3.8]<br>2.9  |
|   | 10<br>[-12.2] | Total BTUH [kW]<br>Power | 17.9 [5.2]<br>2.1  | 17.7 [5.2]<br>2.1  | 17.5 [5.1]<br>2.2  | 17.1 [5.0]<br>2.3  | 17.0 [5.0]<br>2.4  | 16.8 [4.9]<br>2.4  | 16.3 [4.8]<br>2.9  | 16.2 [4.7]<br>2.9  | 16.0 [4.7]<br>3.0  |
|   | 15<br>[-9.4]  | Total BTUH [kW]<br>Power | 20.8 [6.1]<br>2.2  | 20.6 [6.0]<br>2.2  | 20.4 [6.0]<br>2.2  | 20.0 [5.9]<br>2.4  | 19.9 [5.8]<br>2.4  | 19.7 [5.8]<br>2.5  | 19.3 [5.7]<br>3.0  | 19.1 [5.6]<br>3.0  | 18.9 [5.5]<br>3.1  |
|   | 20<br>[-6.7]  | Total BTUH [kW]<br>Power | 23.8 [7.0]<br>2.2  | 23.6 [6.9]<br>2.3  | 23.3 [6.8]<br>2.3  | 23.0 [6.7]<br>2.5  | 22.8 [6.7]<br>2.5  | 22.6 [6.6]<br>2.5  | 22.2 [6.5]<br>3.0  | 22.0 [6.4]<br>3.1  | 21.8 [6.4]<br>3.1  |
|   | 25<br>[-3.9]  | Total BTUH [kW]<br>Power | 26.7 [7.8]<br>2.3  | 26.5 [7.8]<br>2.3  | 26.2 [7.7]<br>2.4  | 25.9 [7.6]<br>2.5  | 25.7 [7.5]<br>2.6  | 25.5 [7.5]<br>2.6  | 25.2 [7.4]<br>3.1  | 25.0 [7.3]<br>3.1  | 24.7 [7.2]<br>3.2  |
|   | 30<br>[-1.1]  | Total BTUH [kW]<br>Power | 29.7 [8.7]<br>2.4  | 29.4 [8.6]<br>2.4  | 29.1 [8.5]<br>2.5  | 28.9 [8.5]<br>2.6  | 28.7 [8.4]<br>2.6  | 28.4 [8.3]<br>2.7  | 28.1 [8.2]<br>3.2  | 27.9 [8.2]<br>3.2  | 27.6 [8.1]<br>3.3  |
|   | 35<br>[1.7]   | Total BTUH [kW]<br>Power | 32.6 [9.6]<br>2.4  | 32.4 [9.5]<br>2.5  | 32.0 [9.4]<br>2.5  | 31.8 [9.3]<br>2.7  | 31.6 [9.3]<br>2.7  | 31.3 [9.2]<br>2.7  | 31.1 [9.1]<br>3.2  | 30.8 [9.0]<br>3.3  | 30.5 [8.9]<br>3.3  |
|   | 40<br>[4.4]   | Total BTUH [kW]<br>Power | 35.6 [10.4]<br>2.5 | 35.3 [10.3]<br>2.5 | 34.9 [10.2]<br>2.6 | 34.8 [10.2]<br>2.7 | 34.5 [10.1]<br>2.8 | 34.2 [10.0]<br>2.8 | 34.0 [10.0]<br>3.3 | 33.7 [9.9]<br>3.3  | 33.4 [9.8]<br>3.4  |
|   | 45<br>[7.2]   | Total BTUH [kW]<br>Power | 38.5 [11.3]<br>2.6 | 38.2 [11.2]<br>2.6 | 37.8 [11.1]<br>2.7 | 37.7 [11.0]<br>2.8 | 37.4 [11.0]<br>2.8 | 37.1 [10.9]<br>2.9 | 37.0 [10.8]<br>3.4 | 36.7 [10.8]<br>3.4 | 36.3 [10.6]<br>3.5 |
|   | 50<br>[10]    | Total BTUH [kW]<br>Power | 41.5 [12.2]<br>2.6 | 41.1 [12.0]<br>2.7 | 40.7 [11.9]<br>2.7 | 40.7 [11.9]<br>2.8 | 40.4 [11.8]<br>2.9 | 39.9 [11.7]<br>2.9 | 39.9 [11.7]<br>3.4 | 39.6 [11.6]<br>3.5 | 39.2 [11.5]<br>3.5 |

IDB—Indoor air dry bulb

[ ] Designates Metric Conversions

## COOLING PERFORMANCE DATA—RHPXZR048AJT

| ENTERING INDOOR AIR @ 80°F [26.7°C] dbE ① |            |  |                                   |                                  |                                  |                                   |                                   |                                   |                                   |                                   |                                   |
|---|------------|--|-----------------------------------|----------------------------------|----------------------------------|-----------------------------------|-----------------------------------|-----------------------------------|-----------------------------------|-----------------------------------|-----------------------------------|
| wbE                                       |            | 71°F [21.7°C]                              |                                   |                                  | 67°F [19.4°C]                    |                                   |                                   | 63°F [17.2°C]                     |                                   |                                   |                                   |
| CFM [L/s]                                 |            | 1800 [850]                                 | 1610 [760]                        | 1400 [661]                       | 1800 [850]                       | 1610 [760]                        | 1400 [661]                        | 1800 [850]                        | 1610 [760]                        | 1400 [661]                        |                                   |
| DR ①                                      |            | 0.15                                       | 0.18                              | 0.21                             | 0.15                             | 0.18                              | 0.21                              | 0.15                              | 0.18                              | 0.21                              |                                   |
| OUTDOOR DRY BULB TEMPERATURE °F [°C]      | 75 [23.9]  | Total BTUH [kW]<br>Sens BTUH [kW]<br>Power | 60.6 [17.8]<br>36.0 [10.5]<br>2.8 | 59.3 [17.4]<br>32.8 [9.6]<br>2.8 | 57.9 [17.0]<br>29.5 [8.6]<br>2.8 | 56.4 [16.5]<br>41.9 [12.3]<br>2.8 | 55.3 [16.2]<br>38.6 [11.3]<br>2.8 | 54.0 [15.8]<br>35.0 [10.3]<br>2.7 | 52.5 [15.4]<br>46.2 [13.5]<br>2.8 | 51.4 [15.1]<br>42.7 [12.5]<br>2.8 | 50.2 [14.7]<br>39.0 [11.4]<br>2.7 |
|   | 80 [26.7]  | Total BTUH [kW]<br>Sens BTUH [kW]<br>Power | 58.9 [17.3]<br>35.0 [10.3]<br>3.0 | 57.7 [16.9]<br>32.0 [9.4]<br>3.0 | 56.3 [16.5]<br>28.7 [8.4]<br>2.9 | 54.8 [16.1]<br>41.1 [12.0]<br>3.0 | 53.6 [15.7]<br>37.8 [11.1]<br>3.0 | 52.3 [15.3]<br>34.3 [10.0]<br>2.9 | 50.9 [14.9]<br>45.4 [13.3]<br>3.0 | 49.8 [14.6]<br>41.9 [12.3]<br>2.9 | 48.6 [14.2]<br>38.2 [11.2]<br>2.9 |
|   | 85 [29.4]  | Total BTUH [kW]<br>Sens BTUH [kW]<br>Power | 57.2 [16.8]<br>34.2 [10.0]<br>3.2 | 56.0 [16.4]<br>31.2 [9.1]<br>3.2 | 54.7 [16.0]<br>28.1 [8.2]<br>3.1 | 53.1 [15.6]<br>40.2 [11.8]<br>3.2 | 52.0 [15.2]<br>37.0 [10.8]<br>3.1 | 50.7 [14.9]<br>33.5 [9.8]<br>3.1  | 49.2 [14.4]<br>44.5 [13.0]<br>3.1 | 48.1 [14.1]<br>41.1 [12.0]<br>3.1 | 47.0 [13.8]<br>37.6 [11.0]<br>3.1 |
|   | 90 [32.2]  | Total BTUH [kW]<br>Sens BTUH [kW]<br>Power | 55.5 [16.3]<br>33.3 [9.8]<br>3.4  | 54.4 [15.9]<br>30.5 [8.9]<br>3.4 | 53.1 [15.6]<br>27.4 [8.0]<br>3.3 | 51.4 [15.1]<br>39.4 [11.5]<br>3.4 | 50.3 [14.7]<br>36.2 [10.6]<br>3.3 | 49.1 [14.4]<br>32.9 [9.6]<br>3.3  | 47.5 [13.9]<br>43.6 [12.8]<br>3.3 | 46.5 [13.6]<br>40.3 [11.8]<br>3.3 | 45.4 [13.3]<br>36.8 [10.8]<br>3.3 |
|   | 95 [35]    | Total BTUH [kW]<br>Sens BTUH [kW]<br>Power | 53.8 [15.8]<br>32.4 [9.5]<br>3.6  | 52.7 [15.4]<br>29.6 [8.7]<br>3.6 | 51.5 [15.1]<br>26.7 [7.8]<br>3.5 | 49.7 [14.6]<br>38.5 [11.3]<br>3.6 | 48.6 [14.2]<br>35.4 [10.4]<br>3.5 | 47.5 [13.9]<br>32.2 [9.4]<br>3.5  | 45.8 [13.4]<br>42.7 [12.5]<br>3.5 | 44.8 [13.1]<br>39.5 [11.6]<br>3.5 | 43.7 [12.8]<br>36.1 [10.6]<br>3.5 |
|   | 100 [37.8] | Total BTUH [kW]<br>Sens BTUH [kW]<br>Power | 52.1 [15.3]<br>31.5 [9.2]<br>3.8  | 51.0 [14.9]<br>28.8 [8.4]<br>3.8 | 49.8 [14.6]<br>25.9 [7.6]<br>3.7 | 48.0 [14.1]<br>37.7 [11.0]<br>3.8 | 47.0 [13.8]<br>34.7 [10.2]<br>3.8 | 45.9 [13.4]<br>31.6 [9.3]<br>3.7  | 44.1 [12.9]<br>41.9 [12.3]<br>3.8 | 43.1 [12.6]<br>38.7 [11.3]<br>3.7 | 42.1 [12.3]<br>35.4 [10.4]<br>3.7 |
|   | 105 [40.6] | Total BTUH [kW]<br>Sens BTUH [kW]<br>Power | 50.4 [14.8]<br>30.8 [9.0]<br>4.1  | 49.4 [14.5]<br>28.2 [8.3]<br>4.0 | 48.2 [14.1]<br>25.4 [7.4]<br>4.0 | 46.3 [13.6]<br>36.8 [10.8]<br>4.0 | 45.3 [13.3]<br>33.9 [9.9]<br>4.0  | 44.2 [13.0]<br>30.8 [9.0]<br>4.0  | 42.3 [12.4]<br>40.9 [12.0]<br>4.0 | 41.4 [12.1]<br>37.9 [11.1]<br>4.0 | 40.5 [11.9]<br>34.7 [10.2]<br>3.9 |
|   | 110 [43.3] | Total BTUH [kW]<br>Sens BTUH [kW]<br>Power | 48.7 [14.3]<br>30.0 [8.8]<br>4.3  | 47.7 [14.0]<br>27.4 [8.0]<br>4.3 | 46.5 [13.6]<br>24.6 [7.2]<br>4.2 | 44.5 [13.0]<br>36.0 [10.5]<br>4.3 | 43.6 [12.8]<br>33.2 [9.7]<br>4.2  | 42.6 [12.5]<br>30.2 [8.8]<br>4.2  | 40.6 [11.9]<br>40.2 [11.8]<br>4.3 | 39.8 [11.7]<br>37.3 [10.9]<br>4.2 | 38.8 [11.4]<br>34.1 [10.0]<br>4.2 |
|   | 115 [46.1] | Total BTUH [kW]<br>Sens BTUH [kW]<br>Power | 47.0 [13.8]<br>29.1 [8.5]<br>4.6  | 46.0 [13.5]<br>26.6 [7.8]<br>4.5 | 44.9 [13.2]<br>23.9 [7.0]<br>4.5 | 42.8 [12.5]<br>35.1 [10.3]<br>4.6 | 41.9 [12.3]<br>32.4 [9.5]<br>4.5  | 40.9 [12.0]<br>29.5 [8.6]<br>4.5  | 38.9 [11.4]<br>38.9 [11.4]<br>4.5 | 38.1 [11.2]<br>36.5 [10.7]<br>4.5 | 37.2 [10.9]<br>33.4 [9.8]<br>4.4  |

DR —Depression ratio  
dbE —Entering air dry bulb  
wbE—Entering air wet bulb

Total —Total capacity x 1000 BTUH  
Sens —Sensible capacity x 1000 BTUH  
Power—KW input

**NOTES:**

① When the entering air dry bulb is other than 80°F [27°C], adjust the sensible capacity from the table by adding  $[1.10 \times \text{CFM} \times (1 - \text{DR}) \times (\text{dbE} - 80)]$ .

## HEATING PERFORMANCE DATA—RHPXZR048AJT

| IDB                                  |                          | 60°F [15.5°C]            |                    |                    | 70°F [21.1°C]      |                    |                    | 80°F [26.7°C]      |                    |                    |                    |
|--------------------------------------|--------------------------|--------------------------|--------------------|--------------------|--------------------|--------------------|--------------------|--------------------|--------------------|--------------------|--------------------|
| CFM [L/s]                            |                          | 1800 [850]               | 1610 [760]         | 1400 [661]         | 1800 [850]         | 1610 [760]         | 1400 [661]         | 1800 [850]         | 1610 [760]         | 1400 [661]         |                    |
| OUTDOOR DRY BULB TEMPERATURE °F [°C] | 0 [-17.8]                | Total BTUH [kW]<br>Power | 15.8 [4.6]<br>2.3  | 15.6 [4.6]<br>2.4  | 15.5 [4.5]<br>2.4  | 14.4 [4.2]<br>2.7  | 14.3 [4.2]<br>2.8  | 14.2 [4.2]<br>2.8  | 13.1 [3.8]<br>3.1  | 13.0 [3.8]<br>3.1  | 12.9 [3.8]<br>3.2  |
|                                      | 5 [-15]                  | Total BTUH [kW]<br>Power | 19.0 [5.6]<br>2.4  | 18.8 [5.5]<br>2.4  | 18.7 [5.5]<br>2.5  | 17.7 [5.2]<br>2.8  | 17.5 [5.1]<br>2.8  | 17.3 [5.1]<br>2.9  | 16.3 [4.8]<br>3.2  | 16.2 [4.7]<br>3.2  | 16.0 [4.7]<br>3.3  |
|                                      | 10 [-12.2]               | Total BTUH [kW]<br>Power | 22.2 [6.5]<br>2.5  | 22.0 [6.4]<br>2.5  | 21.8 [6.4]<br>2.5  | 20.9 [6.1]<br>2.8  | 20.7 [6.1]<br>2.9  | 20.5 [6.0]<br>2.9  | 19.5 [5.7]<br>3.2  | 19.4 [5.7]<br>3.3  | 19.2 [5.6]<br>3.3  |
|                                      | 15 [-9.4]                | Total BTUH [kW]<br>Power | 25.4 [7.4]<br>2.5  | 25.2 [7.4]<br>2.5  | 25.0 [7.3]<br>2.6  | 24.1 [7.1]<br>2.9  | 23.9 [7.0]<br>2.9  | 23.7 [6.9]<br>3.0  | 22.8 [6.7]<br>3.3  | 22.6 [6.6]<br>3.3  | 22.4 [6.6]<br>3.4  |
|                                      | 20 [-6.7]                | Total BTUH [kW]<br>Power | 28.7 [8.4]<br>2.6  | 28.4 [8.3]<br>2.6  | 28.2 [8.3]<br>2.6  | 27.3 [8.0]<br>2.9  | 27.1 [7.9]<br>3.0  | 26.8 [7.9]<br>3.0  | 26.0 [7.6]<br>3.3  | 25.8 [7.6]<br>3.4  | 25.5 [7.5]<br>3.4  |
|                                      | 25 [-3.9]                | Total BTUH [kW]<br>Power | 31.9 [9.3]<br>2.6  | 31.6 [9.3]<br>2.7  | 31.3 [9.2]<br>2.7  | 30.5 [8.9]<br>3.0  | 30.3 [8.9]<br>3.0  | 30.0 [8.8]<br>3.1  | 29.2 [8.6]<br>3.4  | 29.0 [8.5]<br>3.4  | 28.7 [8.4]<br>3.5  |
|                                      | 30 [-1.1]                | Total BTUH [kW]<br>Power | 35.1 [10.3]<br>2.7 | 34.8 [10.2]<br>2.7 | 34.5 [10.1]<br>2.8 | 33.8 [9.9]<br>3.1  | 33.5 [9.8]<br>3.1  | 33.2 [9.7]<br>3.1  | 32.4 [9.5]<br>3.4  | 32.2 [9.4]<br>3.5  | 31.9 [9.3]<br>3.5  |
|                                      | 35 [1.7]                 | Total BTUH [kW]<br>Power | 38.3 [11.2]<br>2.7 | 38.0 [11.1]<br>2.8 | 37.7 [11.0]<br>2.8 | 37.0 [10.8]<br>3.1 | 36.7 [10.8]<br>3.2 | 36.3 [10.6]<br>3.2 | 35.7 [10.5]<br>3.5 | 35.4 [10.4]<br>3.5 | 35.0 [10.3]<br>3.6 |
|                                      | 40 [4.4]                 | Total BTUH [kW]<br>Power | 41.6 [12.2]<br>2.8 | 41.2 [12.1]<br>2.8 | 40.8 [12.0]<br>2.9 | 40.2 [11.8]<br>3.2 | 39.9 [11.7]<br>3.2 | 39.5 [11.6]<br>3.3 | 38.9 [11.4]<br>3.5 | 38.6 [11.3]<br>3.6 | 38.2 [11.2]<br>3.7 |
|                                      | 45 [7.2]                 | Total BTUH [kW]<br>Power | 44.8 [13.1]<br>2.8 | 44.4 [13.0]<br>2.9 | 44.0 [12.9]<br>2.9 | 43.4 [12.7]<br>3.2 | 43.1 [12.6]<br>3.3 | 42.7 [12.5]<br>3.3 | 42.1 [12.3]<br>3.6 | 41.8 [12.2]<br>3.7 | 41.4 [12.1]<br>3.7 |
| 50 [10]                              | Total BTUH [kW]<br>Power | 48.0 [14.1]<br>2.9       | 47.6 [13.9]<br>2.9 | 47.2 [13.8]<br>3.0 | 46.7 [13.7]<br>3.3 | 46.3 [13.6]<br>3.3 | 45.8 [13.4]<br>3.4 | 45.3 [13.3]<br>3.7 | 44.9 [13.2]<br>3.7 | 44.5 [13.0]<br>3.8 |                    |

IDB—Indoor air dry bulb

[ ] Designates Metric Conversions

## COOLING PERFORMANCE DATA—RHPXZR060AJT

| ENTERING INDOOR AIR @ 80°F [26.7°C] dbE ① |            |  |                                   |                                   |                                   |                                   |                                   |                                   |                                   |                                   |                                   |
|---|------------|--|-----------------------------------|-----------------------------------|-----------------------------------|-----------------------------------|-----------------------------------|-----------------------------------|-----------------------------------|-----------------------------------|-----------------------------------|
| wbE                                       |            | 71°F [21.7°C]                              |                                   |                                   | 67°F [19.4°C]                     |                                   |                                   | 63°F [17.2°C]                     |                                   |                                   |                                   |
| CFM [L/s]                                 |            | 2100 [991]                                 | 1900 [897]                        | 1600 [755]                        | 2100 [991]                        | 1900 [897]                        | 1600 [755]                        | 2100 [991]                        | 1900 [897]                        | 1600 [755]                        |                                   |
| DR ①                                      |            | 0.1  | 0.12                              | 0.16                              | 0.1                               | 0.12                              | 0.16                              | 0.1                               | 0.12                              | 0.16                              |                                   |
| OUTDOOR DRY BULB TEMPERATURE °F [°C]      | 75 [23.9]  | Total BTUH [kW]<br>Sens BTUH [kW]<br>Power | 71.5 [20.9]<br>44.9 [13.2]<br>3.8 | 70.1 [20.5]<br>41.4 [12.1]<br>3.7 | 68.1 [20.0]<br>36.5 [10.7]<br>3.7 | 67.3 [19.7]<br>50.8 [14.9]<br>3.7 | 66.1 [19.4]<br>47.2 [13.8]<br>3.7 | 64.2 [18.8]<br>42.0 [12.3]<br>3.6 | 63.4 [18.6]<br>55.1 [16.1]<br>3.7 | 62.2 [18.2]<br>51.3 [15.0]<br>3.7 | 60.5 [17.7]<br>45.9 [13.4]<br>3.6 |
|   | 80 [26.7]  | Total BTUH [kW]<br>Sens BTUH [kW]<br>Power | 69.8 [20.5]<br>44.0 [12.9]<br>3.9 | 68.5 [20.1]<br>40.6 [11.9]<br>3.9 | 66.5 [19.5]<br>35.8 [10.5]<br>3.8 | 65.7 [19.2]<br>50.0 [14.6]<br>3.9 | 64.4 [18.9]<br>46.4 [13.6]<br>3.9 | 62.6 [18.3]<br>41.3 [12.1]<br>3.8 | 61.8 [18.1]<br>54.2 [15.9]<br>3.9 | 60.6 [17.8]<br>50.5 [14.8]<br>3.8 | 58.9 [17.3]<br>45.2 [13.2]<br>3.8 |
|   | 85 [29.4]  | Total BTUH [kW]<br>Sens BTUH [kW]<br>Power | 68.1 [20.0]<br>43.1 [12.6]<br>4.1 | 66.8 [19.6]<br>39.8 [11.7]<br>4.1 | 64.9 [19.0]<br>35.1 [10.3]<br>4.0 | 64.0 [18.8]<br>49.1 [14.4]<br>4.1 | 62.8 [18.4]<br>45.6 [13.4]<br>4.0 | 61.0 [17.9]<br>40.6 [11.9]<br>4.0 | 60.1 [17.6]<br>53.4 [15.6]<br>4.1 | 58.9 [17.3]<br>49.7 [14.6]<br>4.0 | 57.3 [16.8]<br>44.6 [13.1]<br>4.0 |
|   | 90 [32.2]  | Total BTUH [kW]<br>Sens BTUH [kW]<br>Power | 66.4 [19.5]<br>42.3 [12.4]<br>4.3 | 65.2 [19.1]<br>39.1 [11.5]<br>4.3 | 63.3 [18.5]<br>34.5 [10.1]<br>4.2 | 62.3 [18.3]<br>48.3 [14.2]<br>4.3 | 61.1 [17.9]<br>44.8 [13.1]<br>4.2 | 59.4 [17.4]<br>39.9 [11.7]<br>4.2 | 58.4 [17.1]<br>52.5 [15.4]<br>4.3 | 57.3 [16.8]<br>48.9 [14.3]<br>4.2 | 55.6 [16.3]<br>43.7 [12.8]<br>4.2 |
|   | 95 [35]    | Total BTUH [kW]<br>Sens BTUH [kW]<br>Power | 64.7 [19.0]<br>41.3 [12.1]<br>4.5 | 63.5 [18.6]<br>38.2 [11.2]<br>4.5 | 61.7 [18.1]<br>33.7 [9.9]<br>4.4  | 60.6 [17.8]<br>47.4 [13.9]<br>4.5 | 59.5 [17.4]<br>44.1 [12.9]<br>4.5 | 57.7 [16.9]<br>39.2 [11.5]<br>4.4 | 56.7 [16.6]<br>51.6 [15.1]<br>4.5 | 55.6 [16.3]<br>48.1 [14.1]<br>4.4 | 54.0 [15.8]<br>43.1 [12.6]<br>4.4 |
|   | 100 [37.8] | Total BTUH [kW]<br>Sens BTUH [kW]<br>Power | 63.0 [18.5]<br>40.5 [11.9]<br>4.7 | 61.8 [18.1]<br>37.4 [11.0]<br>4.7 | 60.1 [17.6]<br>33.1 [9.7]<br>4.6  | 58.9 [17.3]<br>46.6 [13.7]<br>4.7 | 57.8 [16.9]<br>43.3 [12.7]<br>4.7 | 56.1 [16.4]<br>38.5 [11.3]<br>4.6 | 55.0 [16.1]<br>50.8 [14.9]<br>4.7 | 53.9 [15.8]<br>47.3 [13.9]<br>4.6 | 52.4 [15.4]<br>42.4 [12.4]<br>4.6 |
|   | 105 [40.6] | Total BTUH [kW]<br>Sens BTUH [kW]<br>Power | 61.3 [18.0]<br>39.8 [11.7]<br>5.0 | 60.2 [17.6]<br>36.8 [10.8]<br>4.9 | 58.4 [17.1]<br>32.4 [9.5]<br>4.9  | 57.2 [16.8]<br>45.7 [13.4]<br>5.0 | 56.1 [16.4]<br>42.5 [12.5]<br>4.9 | 54.5 [16.0]<br>37.9 [11.1]<br>4.8 | 53.3 [15.6]<br>49.9 [14.6]<br>4.9 | 52.3 [15.3]<br>46.6 [13.7]<br>4.9 | 50.8 [14.9]<br>41.8 [12.2]<br>4.8 |
|   | 110 [43.3] | Total BTUH [kW]<br>Sens BTUH [kW]<br>Power | 59.6 [17.5]<br>38.9 [11.4]<br>5.2 | 58.5 [17.1]<br>36.0 [10.5]<br>5.2 | 56.8 [16.6]<br>31.8 [9.3]<br>5.1  | 55.4 [16.2]<br>44.9 [13.2]<br>5.2 | 54.4 [15.9]<br>41.8 [12.2]<br>5.2 | 52.8 [15.5]<br>37.2 [10.9]<br>5.1 | 51.5 [15.1]<br>49.1 [14.4]<br>5.2 | 50.6 [14.8]<br>45.9 [13.4]<br>5.1 | 49.1 [14.4]<br>41.1 [12.0]<br>5.1 |
|   | 115 [46.1] | Total BTUH [kW]<br>Sens BTUH [kW]<br>Power | 57.9 [17.0]<br>38.1 [11.2]<br>5.5 | 56.8 [16.6]<br>35.2 [10.3]<br>5.5 | 55.1 [16.1]<br>31.0 [9.1]<br>5.4  | 53.7 [15.7]<br>44.1 [12.9]<br>5.5 | 52.7 [15.4]<br>41.0 [12.0]<br>5.4 | 51.2 [15.0]<br>36.6 [10.7]<br>5.3 | 49.8 [14.6]<br>48.3 [14.2]<br>5.4 | 48.9 [14.3]<br>45.1 [13.2]<br>5.4 | 47.5 [13.9]<br>40.5 [11.9]<br>5.3 |

DR —Depression ratio  
dbE —Entering air dry bulb  
wbE—Entering air wet bulb

Total —Total capacity x 1000 BTUH  
Sens —Sensible capacity x 1000 BTUH  
Power —kW input

**NOTES:**

① When the entering air dry bulb is other than 80°F [27°C], adjust the sensible capacity from the table by adding [1.10 x CFM x (1 - DR) x (dbE - 80)].

## HEATING PERFORMANCE DATA—RHPXZR060AJT

| IDB                                  |                          | 60°F [15.5°C]            |                    |                    | 70°F [21.1°C]      |                    |                    | 80°F [26.7°C]      |                    |                    |                    |
|--------------------------------------|--------------------------|--------------------------|--------------------|--------------------|--------------------|--------------------|--------------------|--------------------|--------------------|--------------------|--------------------|
| CFM [L/s]                            |                          | 2100 [991]               | 1900 [897]         | 1600 [755]         | 2100 [991]         | 1900 [897]         | 1600 [755]         | 2100 [991]         | 1900 [897]         | 1600 [755]         |                    |
| OUTDOOR DRY BULB TEMPERATURE °F [°C] | 0 [-17.8]                | Total BTUH [kW]<br>Power | 25.0 [7.3]<br>2.9  | 24.8 [7.3]<br>3.0  | 24.5 [7.2]<br>3.0  | 23.7 [6.9]<br>3.3  | 23.5 [6.9]<br>3.3  | 23.2 [6.8]<br>3.4  | 22.3 [6.5]<br>3.7  | 22.2 [6.5]<br>3.7  | 21.9 [6.4]<br>3.8  |
|                                      | 5 [-15]                  | Total BTUH [kW]<br>Power | 28.2 [8.3]<br>3.0  | 28.0 [8.2]<br>3.0  | 27.7 [8.1]<br>3.1  | 26.9 [7.9]<br>3.4  | 26.7 [7.8]<br>3.4  | 26.4 [7.7]<br>3.5  | 25.6 [7.5]<br>3.7  | 25.4 [7.4]<br>3.8  | 25.1 [7.4]<br>3.9  |
|                                      | 10 [-12.2]               | Total BTUH [kW]<br>Power | 31.5 [9.2]<br>3.0  | 31.2 [9.1]<br>3.1  | 30.9 [9.1]<br>3.1  | 30.1 [8.8]<br>3.4  | 29.9 [8.8]<br>3.5  | 29.6 [8.7]<br>3.5  | 28.8 [8.4]<br>3.8  | 28.6 [8.4]<br>3.8  | 28.2 [8.3]<br>3.9  |
|                                      | 15 [-9.4]                | Total BTUH [kW]<br>Power | 34.7 [10.2]<br>3.1 | 34.4 [10.1]<br>3.1 | 34.0 [10.0]<br>3.2 | 33.3 [9.8]<br>3.5  | 33.1 [9.7]<br>3.5  | 32.7 [9.6]<br>3.6  | 32.0 [9.4]<br>3.8  | 31.8 [9.3]<br>3.9  | 31.4 [9.2]<br>4.0  |
|                                      | 20 [-6.7]                | Total BTUH [kW]<br>Power | 37.9 [11.1]<br>3.1 | 37.6 [11.0]<br>3.2 | 37.2 [10.9]<br>3.2 | 36.6 [10.7]<br>3.5 | 36.3 [10.6]<br>3.6 | 35.9 [10.5]<br>3.6 | 35.2 [10.3]<br>3.9 | 35.0 [10.3]<br>4.0 | 34.6 [10.1]<br>4.0 |
|                                      | 25 [-3.9]                | Total BTUH [kW]<br>Power | 41.1 [12.0]<br>3.2 | 40.8 [12.0]<br>3.2 | 40.3 [11.8]<br>3.3 | 39.8 [11.7]<br>3.6 | 39.5 [11.6]<br>3.6 | 39.0 [11.4]<br>3.7 | 38.4 [11.3]<br>4.0 | 38.2 [11.2]<br>4.0 | 37.7 [11.0]<br>4.1 |
|                                      | 30 [-1.1]                | Total BTUH [kW]<br>Power | 44.3 [13.0]<br>3.3 | 44.0 [12.9]<br>3.3 | 43.5 [12.7]<br>3.4 | 43.0 [12.6]<br>3.6 | 42.7 [12.5]<br>3.7 | 42.2 [12.4]<br>3.8 | 41.7 [12.2]<br>4.0 | 41.3 [12.1]<br>4.1 | 40.9 [12.0]<br>4.1 |
|                                      | 35 [1.7]                 | Total BTUH [kW]<br>Power | 47.6 [13.9]<br>3.3 | 47.2 [13.8]<br>3.4 | 46.7 [13.7]<br>3.4 | 46.2 [13.5]<br>3.7 | 45.9 [13.4]<br>3.7 | 45.4 [13.3]<br>3.8 | 44.9 [13.2]<br>4.1 | 44.5 [13.0]<br>4.1 | 44.0 [12.9]<br>4.2 |
|                                      | 40 [4.4]                 | Total BTUH [kW]<br>Power | 50.8 [14.9]<br>3.4 | 50.4 [14.8]<br>3.4 | 49.8 [14.6]<br>3.5 | 49.4 [14.5]<br>3.7 | 49.1 [14.4]<br>3.8 | 48.5 [14.2]<br>3.9 | 48.1 [14.1]<br>4.1 | 47.7 [14.0]<br>4.2 | 47.2 [13.8]<br>4.3 |
|                                      | 45 [7.2]                 | Total BTUH [kW]<br>Power | 54.0 [15.8]<br>3.4 | 53.6 [15.7]<br>3.5 | 53.0 [15.5]<br>3.5 | 52.7 [15.4]<br>3.8 | 52.3 [15.3]<br>3.8 | 51.7 [15.1]<br>3.9 | 51.3 [15.0]<br>4.2 | 50.9 [14.9]<br>4.2 | 50.4 [14.8]<br>4.3 |
| 50 [10]                              | Total BTUH [kW]<br>Power | 57.2 [16.8]<br>3.5       | 56.8 [16.6]<br>3.5 | 56.2 [16.5]<br>3.6 | 55.9 [16.4]<br>3.9 | 55.5 [16.3]<br>3.9 | 54.8 [16.1]<br>4.0 | 54.5 [16.0]<br>4.2 | 54.1 [15.9]<br>4.3 | 53.5 [15.7]<br>4.4 |                    |

IDB—Indoor air dry bulb

[ ] Designates Metric Conversions

# INDOOR AIRFLOW PERFORMANCE—RHPAZR—208/230 VOLTS

| Nominal Cooling Capacity Tons [kW] | Manufacturer Recommended Heat Pump Airflow (Min/Max)                      | Blower Size/<br>Motor HP [W] & # of Speeds | Motor Speed | External Static Pressure - Inches W.C. [kPa]<br>(Side Discharge-Dry Coil) |            |            |            |            |            |            |           |           |           |     |
|------------------------------------|---|--|-------------|---|------------|------------|------------|------------|------------|------------|-----------|-----------|-----------|-----|
|                                    |   |  |             | 0.1 [.02]   | 0.2 [.05]  | 0.3 [.07]  | 0.4 [.10]  | 0.5 [.12]  | 0.6 [.15]  | 0.7 [.17]  | 0.8 [.20] | 0.9 [.23] | 1.0 [.25] |     |
| 2.0<br>[7.03]                      | 700 CFM /<br>900 CFM<br><br>10 x 9 Blower<br>1/3 HP [249W]<br>Ensite Air  | Tap1<br>Fan only                           | CFM [l/s]   | 1003 [473]  | 942 [445]  | 890 [420]  | 830 [392]  | 784 [370]  | 732 [345]  | 678 [320]  | 612 [289] | 573 [270] | 526 [248] |     |
|                                    |   |  | RPM         | 722   | 779        | 826        | 879        | 925        | 974        | 1020       | 1059      | 1087      | 1119      |     |
|                                    |   | Tap 2<br>Heater kit                        | Watts       | 134   | 143        | 150        | 158        | 164        | 172        | 179        | 185       | 190       | 194       | 194 |
|                                    |   |  | CFM [l/s]   | 1021 [482]  | 975 [460]  | 911 [430]  | 850 [401]  | 802 [379]  | 753 [355]  | 714 [337]  | 657 [310] | 600 [283] | 549 [259] |     |
|                                    |   | Tap 3<br>HP Medium                         | RPM         | 736   | 784        | 841        | 893        | 935        | 979        | 1022       | 1063      | 1093      | 1125      |     |
|                                    |   |  | Watts       | 141   | 148        | 159        | 166        | 174        | 182        | 187        | 194       | 199       | 204       |     |
|                                    |   | Tap 4<br>HP Low                            | CFM [l/s]   | 1119 [528]  | 1079 [509] | 1026 [484] | 981 [463]  | 926 [437]  | 876 [413]  | 819 [387]  | 782 [369] | 739 [349] | 661 [312] |     |
|                                    |   |  | RPM         | 785   | 822        | 866        | 914        | 957        | 1004       | 1048       | 1081      | 1114      | 1136      |     |
|                                    |   | Tap 5<br>HP High                           | Watts       | 178   | 185        | 194        | 202        | 210        | 219        | 227        | 233       | 238       | 232       |     |
|                                    |   |  | CFM [l/s]   | 923 [436]   | 870 [411]  | 817 [386]  | 763 [360]  | 703 [332]  | 640 [302]  | 586 [277]  | 530 [250] | 484 [228] | 453 [214] |     |
| 2.5<br>[8.79]                      | 875 CFM /<br>1125 CFM<br><br>10 x 9 Blower<br>1/2 HP [373W]<br>Ensite Air | Tap 1<br>Fan only                          | RPM         | 701   | 750        | 797        | 845        | 898        | 947        | 986        | 1025      | 1059      | 1081      |     |
|                                    |   |  | Watts       | 117   | 123        | 129        | 136        | 143        | 150        | 156        | 160       | 166       | 169       |     |
|                                    |   | Tap 2<br>Heater kit                        | CFM [l/s]   | 1344 [634]  | 1305 [616] | 1267 [598] | 1230 [580] | 1178 [556] | 1121 [529] | 1054 [497] | 921 [435] | 824 [389] | 692 [327] |     |
|                                    |   |  | RPM         | 906   | 933        | 976        | 1005       | 1043       | 1087       | 1111       | 1132      | 1144      | 1155      |     |
|                                    |   | Tap 3<br>HP Medium                         | Watts       | 286   | 294        | 305        | 313        | 322        | 329        | 336        | 342       | 347       | 347       |     |
|                                    |   |  | CFM [l/s]   | 1037 [489]  | 985 [465]  | 939 [443]  | 867 [409]  | 783 [370]  | 721 [340]  | 674 [318]  | 613 [289] | 554 [261] | 513 [242] |     |
|                                    |   | Tap 4<br>HP Low                            | RPM         | 669   | 718        | 762        | 822        | 880        | 921        | 955        | 1009      | 1047      | 1081      |     |
|                                    |   |  | Watts       | 117   | 125        | 132        | 141        | 150        | 157        | 160        | 169       | 174       | 179       |     |
|                                    |   | Tap 5<br>HP High                           | CFM [l/s]   | 1281 [605]  | 1235 [583] | 1197 [565] | 1150 [543] | 1114 [526] | 1063 [502] | 995 [470]  | 928 [438] | 883 [417] | 843 [398] |     |
|                                    |   |  | RPM         | 788   | 827        | 867        | 907        | 940        | 988        | 1037       | 1086      | 1118      | 1139      |     |
| Tap 1<br>Fan only                  | Watts   | 200  | 208         | 215   | 225        | 233        | 243        | 253        | 265        | 271        | 275       |           |           |     |
|                                    | CFM [l/s]   | 1356 [640]                                 | 1314 [620]  | 1274 [601]  | 1241 [586] | 1201 [567] | 1157 [546] | 1102 [520] | 1019 [481] | 941 [444]  | 869 [410] |           |           |     |
| Tap 2<br>Heater kit                | RPM   | 825  | 862         | 902   | 936        | 970        | 1012       | 1052       | 1109       | 1138       | 1150      |           |           |     |
|                                    | Watts   | 233  | 241         | 250   | 259        | 267        | 277        | 286        | 299        | 298        | 287       |           |           |     |
| Tap 3<br>HP Medium                 | CFM [l/s]   | 1199 [566]                                 | 1156 [546]  | 1120 [529]  | 1088 [513] | 1037 [489] | 977 [461]  | 885 [418]  | 833 [393]  | 792 [374]  | 751 [354] |           |           |     |
|                                    | RPM   | 762  | 804         | 839   | 871        | 916        | 965        | 1024       | 1061       | 1093       | 1121      |           |           |     |
| Tap 4<br>HP Low                    | Watts   | 173  | 179         | 188   | 195        | 203        | 213        | 224        | 232        | 239        | 244       |           |           |     |
|                                    | CFM [l/s]   | 1489 [703]                                 | 1454 [686]  | 1415 [668]  | 1383 [653] | 1345 [635] | 1309 [618] | 1269 [599] | 1195 [564] | 989 [467]  | 889 [420] |           |           |     |
| Tap 5<br>HP High                   | RPM   | 886  | 921         | 957   | 989        | 1025       | 1057       | 1093       | 1123       | 1150       | 1159      |           |           |     |
|                                    | Watts   | 298  | 308         | 318   | 327        | 337        | 346        | 355        | 353        | 313        | 296       |           |           |     |

NOTE: Grey cells indicate airflow outside of manufacturers recommendation.  
Do not connect wiring to unspecified speed taps.

| DOWN DISCHARGE PRESSURE DROP (ADD TO EXTERNAL STATIC PRESSURE) |           |            |            |
|--|-----------|------------|------------|
| CFM [L/s]  | 600 [283] | 800 [378]  | 1000 [472] |
| Pressure Drop—Inches W.C. [kPa]                                | 0         | .02 [.005] | .05 [.012] |
|  |           | 1200 [566] | 1400 [661] |
|  |           | 1600 [755] | 1800 [849] |
|  |           | .07 [.017] | .1 [.025]  |
|  |           | .12 [.030] | .15 [.037] |
|  |           | 2000 [944] | .17 [.042] |

[ ] Designates Metric Conversions

# INDOOR AIRFLOW PERFORMANCE—RHPAZR—208/230 VOLTS

| Nominal Cooling Capacity Tons [KW] | Manufacturer Recommended Heat Pump Airflow (Min/Max) | Blower Size/Motor HP [W] & # of Speeds        | Motor Speed         | External Static Pressure - Inches W.C. [kPa]<br>(Side Discharge-Dry Coil) |            |            |            |            |            |            |            |            |            |            |           |
|------------------------------------|--|---|---------------------|---|------------|------------|------------|------------|------------|------------|------------|------------|------------|------------|-----------|
|                                    |  |   |                     | 0.1 [.02]   | 0.2 [.05]  | 0.3 [.07]  | 0.4 [.10]  | 0.5 [.12]  | 0.6 [.15]  | 0.7 [.17]  | 0.8 [.20]  | 0.9 [.23]  | 1.0 [.25]  |            |           |
| 3.0<br>[10.55]                     | 1050 CFM /<br>1350 CFM                               | 12 x 9T Blower<br>1/2 HP [373W]<br>Ensite Air | Tap 1<br>Fan only   | CFM [l/s]   | 992 [468]  | 908 [429]  | 797 [376]  | 718 [339]  | 579 [273]  | 501 [236]  | 422 [199]  | 351 [166]  | 313 [148]  | 295 [139]  |           |
|                                    |  |   |                     | RPM   | 591        | 623        | 693        | 733        | 769        | 814        | 844        | 866        | 879        | 925        |           |
|                                    |  |   |                     | Watts   | 109        | 111        | 121        | 127        | 131        | 138        | 143        | 147        | 149        | 156        |           |
|                                    |  |   | Tap 2<br>Heater kit | CFM [l/s]   | 1202 [567] | 1155 [545] | 1102 [520] | 1029 [486] | 943 [445]  | 892 [421]  | 811 [383]  | 745 [352]  | 654 [309]  | 596 [281]  | 596 [281] |
|                                    |  |   |                     | RPM   | 686        | 717        | 751        | 805        | 856        | 884        | 918        | 948        | 991        | 1013       |           |
|                                    |  |   |                     | Watts   | 178        | 183        | 192        | 204        | 215        | 220        | 227        | 235        | 243        | 249        |           |
|                                    |  |   | Tap 3<br>HP Medium  | CFM [l/s]   | 1452 [685] | 1420 [670] | 1373 [648] | 1335 [630] | 1292 [610] | 1199 [566] | 1002       | 1084 [512] | 1024 [483] | 967 [456]  | 1090      |
|                                    |  |   |                     | RPM   | 799        | 822        | 852        | 875        | 904        | 970        | 1002       | 1032       | 1061       | 1090       |           |
|                                    |  |   |                     | Watts   | 295        | 302        | 311        | 318        | 327        | 347        | 358        | 367        | 375        | 385        |           |
|                                    |  |   | Tap 4<br>HP Low     | CFM [l/s]   | 1514 [715] | 1469 [693] | 1435 [677] | 1391 [656] | 1347 [636] | 1271 [600] | 1210 [571] | 1143 [539] | 1095 [517] | 1029 [486] | 1097      |
|                                    |  |   |                     | RPM   | 821        | 847        | 870        | 900        | 924        | 973        | 1018       | 1052       | 1076       | 1097       |           |
|                                    |  |   |                     | Watts   | 328        | 335        | 343        | 352        | 360        | 377        | 391        | 401        | 410        | 409        |           |
|                                    |  |   | Tap 5<br>HP High    | CFM [l/s]   | 1573 [742] | 1532 [723] | 1497 [707] | 1453 [686] | 1419 [670] | 1378 [650] | 1287 [607] | 1218 [575] | 1147 [541] | 1058 [499] | 1108      |
|                                    |  |   |                     | RPM   | 852        | 874        | 899        | 925        | 948        | 972        | 1040       | 1074       | 1093       | 1108       |           |
|                                    |  |   |                     | Watts   | 369        | 377        | 385        | 395        | 402        | 411        | 433        | 445        | 440        | 429        |           |

NOTE: Grey cells indicate airflow outside of manufacturers recommendation.  
Do not connect wiring to unspecified speed taps.

| DOWN DISCHARGE PRESSURE DROP (ADD TO EXTERNAL STATIC PRESSURE) |           |            |            |            |            |
|--|-----------|------------|------------|------------|------------|
| CFM [L/s]  | 600 [283] | 1000 [472] | 1400 [661] | 1800 [849] | 2000 [944] |
| Pressure Drop—Inches W.C. [kPa]                                | 0         | .05 [.012] | .1 [.025]  | .15 [.037] | .17 [.042] |

[ ] Designates Metric Conversions



# INDOOR AIRFLOW PERFORMANCE -- RHPXZR -- 208/230 VOLTS

| Nominal Cooling Capacity Tons [kW] | Manufacturer Recommended Heat Pump Airflow (Min/Max) | Blower Size/ Motor HP [W] & # of Speeds       | Motor Speed         | External Static Pressure - Inches W.C. [kPa]<br>(Side Discharge-Dry Coil) |            |            |            |            |            |            |            |            |            |            |
|------------------------------------|--|---|---------------------|---|------------|------------|------------|------------|------------|------------|------------|------------|------------|------------|
|                                    |  |   |                     | 0.1 [.02]   | 0.2 [.05]  | 0.3 [.07]  | 0.4 [.10]  | 0.5 [.12]  | 0.6 [.15]  | 0.7 [.17]  | 0.8 [.20]  | 0.9 [.23]  | 1.0 [.25]  |            |
| 3.5<br>[12.31]                     | 1225 CFM / 1575 CFM                                  | 12 x 9T Blower<br>3/4 HP [559W]<br>Ensite Air | Tap1<br>Fan only    | CFM [l/s]   | 1400 [661] | 1202 [567] | 1057 [499] | 1013 [478] | 900 [425]  | 767 [362]  | 721 [340]  | 673 [318]  | 577 [272]  | 513 [242]  |
|                                    |  |   |                     | RPM   | 579        | 588        | 623        | 662        | 737        | 812        | 835        | 865        | 929        | 955        |
|                                    |  |   |                     | Watts   | 194        | 163        | 154        | 162        | 177        | 193        | 199        | 205        | 218        | 224        |
|                                    |  |   | Tap 2<br>Heater kit | CFM [l/s]   | 1400 [661] | 1202 [567] | 1057 [499] | 1013 [478] | 900 [425]  | 767 [362]  | 721 [340]  | 673 [318]  | 577 [272]  | 513 [242]  |
|                                    |  |   |                     | RPM   | 579        | 588        | 623        | 662        | 737        | 812        | 835        | 865        | 929        | 955        |
|                                    |  |   |                     | Watts   | 194        | 163        | 154        | 162        | 177        | 193        | 199        | 205        | 218        | 224        |
|                                    |  |   | Tap 3<br>HP Medium  | CFM [l/s]   | 1712 [808] | 1682 [794] | 1636 [772] | 1596 [753] | 1545 [729] | 1490 [703] | 1444 [681] | 1405 [663] | 1371 [647] | 1338 [631] |
|                                    |  |   |                     | RPM   | 667        | 697        | 741        | 777        | 818        | 863        | 903        | 935        | 961        | 982        |
|                                    |  |   |                     | Watts   | 327        | 339        | 356        | 371        | 386        | 405        | 420        | 433        | 444        | 451        |
|                                    |  |   | Tap 4<br>HP Low     | CFM [l/s]   | 1493 [705] | 1453 [686] | 1413 [667] | 1342 [633] | 1294 [611] | 1248 [589] | 1201 [567] | 1104 [521] | 970 [458]  | 926 [437]  |
|                                    |  |   |                     | RPM   | 602        | 643        | 682        | 739        | 779        | 818        | 853        | 916        | 993        | 1018       |
|                                    |  |   |                     | Watts   | 229        | 242        | 253        | 271        | 284        | 296        | 308        | 327        | 352        | 360        |
|                                    |  |   | Tap 5<br>HP High    | CFM [l/s]   | 1753 [827] | 1717 [810] | 1679 [792] | 1638 [773] | 1590 [750] | 1543 [728] | 1492 [704] | 1455 [687] | 1417 [669] | 1390 [656] |
|                                    |  |   |                     | RPM   | 684        | 716        | 752        | 781        | 824        | 867        | 904        | 940        | 969        | 988        |
|                                    |  |   |                     | Watts   | 350        | 364        | 380        | 392        | 410        | 427        | 440        | 455        | 469        | 478        |
| 4.0<br>[14.07]                     | 1400 CFM / 1800 CFM                                  | 12 x 9T Blower<br>3/4 HP [559W]<br>Ensite Air | Tap1<br>Fan only    | CFM [l/s]   | 1400 [661] | 1202 [567] | 1057 [499] | 1013 [478] | 900 [425]  | 767 [362]  | 721 [340]  | 673 [318]  | 577 [272]  | 513 [242]  |
|                                    |  |   |                     | RPM   | 579        | 588        | 623        | 662        | 737        | 812        | 835        | 865        | 929        | 955        |
|                                    |  |   |                     | Watts   | 194        | 163        | 154        | 162        | 177        | 193        | 199        | 205        | 218        | 224        |
|                                    |  |   | Tap 2<br>Heater kit | CFM [l/s]   | 1400 [661] | 1202 [567] | 1057 [499] | 1013 [478] | 900 [425]  | 767 [362]  | 721 [340]  | 673 [318]  | 577 [272]  | 513 [242]  |
|                                    |  |   |                     | RPM   | 579        | 588        | 623        | 662        | 737        | 812        | 835        | 865        | 929        | 955        |
|                                    |  |   |                     | Watts   | 194        | 163        | 154        | 162        | 177        | 193        | 199        | 205        | 218        | 224        |
|                                    |  |   | Tap 3<br>HP Medium  | CFM [l/s]   | 1873 [884] | 1845 [871] | 1805 [852] | 1754 [828] | 1717 [810] | 1673 [790] | 1637 [773] | 1599 [755] | 1555 [734] | 1502 [709] |
|                                    |  |   |                     | RPM   | 719        | 744        | 776        | 817        | 850        | 885        | 924        | 960        | 992        | 1029       |
|                                    |  |   |                     | Watts   | 422        | 434        | 446        | 465        | 481        | 498        | 517        | 535        | 549        | 567        |
|                                    |  |   | Tap 4<br>HP Low     | CFM [l/s]   | 1753 [827] | 1717 [810] | 1679 [792] | 1638 [773] | 1590 [750] | 1543 [728] | 1492 [704] | 1455 [687] | 1417 [669] | 1390 [656] |
|                                    |  |   |                     | RPM   | 684        | 716        | 752        | 781        | 824        | 867        | 904        | 940        | 969        | 988        |
|                                    |  |   |                     | Watts   | 350        | 364        | 380        | 392        | 410        | 427        | 440        | 455        | 469        | 478        |
|                                    |  |   | Tap 5<br>HP High    | CFM [l/s]   | 1962 [926] | 1929 [910] | 1886 [890] | 1850 [873] | 1814 [856] | 1783 [841] | 1752 [827] | 1702 [803] | 1674 [790] | 1629 [769] |
|                                    |  |   |                     | RPM   | 755        | 775        | 806        | 839        | 867        | 902        | 933        | 980        | 1009       | 1048       |
|                                    |  |   |                     | Watts   | 487        | 498        | 512        | 529        | 544        | 561        | 579        | 604        | 619        | 644        |

NOTE: Grey cells indicate airflow outside of manufacturers recommendation.  
Do not connect wiring to unspecified speed taps.

### DOWN DISCHARGE PRESSURE DROP (ADD TO SIDE DISCHARGE EXTERNAL STATIC PRESSURE)

|                                  |            |            |            |            |            |            |            |             |
|----------------------------------|------------|------------|------------|------------|------------|------------|------------|-------------|
| CFM [L/s]                        | 800 [378]  | 1000 [472] | 1200 [566] | 1400 [661] | 1600 [755] | 1800 [849] | 2000 [944] | 2200 [1038] |
| Pressure Drop--Inches W.C. [kPa] | .02 [.005] | .05 [.012] | .07 [.017] | .1 [.025]  | .12 [.030] | .15 [.037] | .17 [.042] | 0.2 [.05]   |

[ ] Designates Metric Conversions

# INDOOR AIRFLOW PERFORMANCE—230 VOLTS

| Nominal Cooling Capacity Tons [kW] | Manufacturer Recommended Heat Pump Airflow (Min/Max) | Blower Size/ Motor HP [W] & # of Speeds     | Motor Speed         | External Static Pressure - Inches W.C. [kPa]<br>(Side Discharge-Dry Coil) |             |             |             |             |             |             |            |            |            |            |
|------------------------------------|--|---|---------------------|---|-------------|-------------|-------------|-------------|-------------|-------------|------------|------------|------------|------------|
|                                    |  |   |                     | 0.1 [.02]   | 0.2 [.05]   | 0.3 [.07]   | 0.4 [.10]   | 0.5 [.12]   | 0.6 [.15]   | 0.7 [.17]   | 0.8 [.20]  | 0.9 [.23]  | 1.0 [.25]  |            |
| 5.0<br>[17.58]                     | 1750 CFM /<br>2250 CFM                               | 12 x 9T Blower<br>1 HP [746W]<br>Ensite Air | Tap 1<br>Fan only   | CFM [l/s]   | 1396 [659]  | 1250 [590]  | 1199 [566]  | 1146 [541]  | 1095 [517]  | 1037 [489]  | 857 [404]  | 785 [370]  | 745 [352]  | 698 [329]  |
|                                    |  |   |                     | RPM   | 585         | 592         | 634         | 676         | 722         | 759         | 868        | 904        | 929        | 968        |
|                                    |  |   |                     | Watts   | 186         | 163         | 173         | 182         | 193         | 201         | 227        | 235        | 241        | 250        |
|                                    |  |   | Tap 2<br>Heater kit | CFM [l/s]   | 1396 [659]  | 1250 [590]  | 1199 [566]  | 1146 [541]  | 1095 [517]  | 1037 [489]  | 857 [404]  | 785 [370]  | 745 [352]  | 698 [329]  |
|                                    |  |   |                     | RPM   | 585         | 592         | 634         | 676         | 722         | 759         | 868        | 904        | 929        | 968        |
|                                    |  |   |                     | Watts   | 186         | 163         | 173         | 182         | 193         | 201         | 227        | 235        | 241        | 250        |
|                                    |  |   | Tap 3<br>HP Medium  | CFM [l/s]   | 1468 [693]  | 1443 [681]  | 1389 [656]  | 1344 [634]  | 1291 [609]  | 1251 [590]  | 1205 [569] | 1086 [513] | 975 [460]  | 915 [432]  |
|                                    |  |   |                     | RPM   | 609         | 638         | 683         | 722         | 767         | 796         | 831        | 913        | 977        | 1009       |
|                                    |  |   |                     | Watts   | 213         | 223         | 235         | 246         | 260         | 268         | 279        | 303        | 323        | 332        |
|                                    |  |   | Tap 4<br>HP Low     | CFM [l/s]   | 2095 [989]  | 2071 [977]  | 2043 [964]  | 2018 [952]  | 1981 [935]  | 1945 [918]  | 1913 [903] | 1870 [883] | 1839 [868] | 1800 [850] |
|                                    |  |   |                     | RPM   | 808         | 829         | 856         | 877         | 911         | 935         | 970        | 1002       | 1029       | 1069       |
|                                    |  |   |                     | Watts   | 571         | 581         | 598         | 609         | 628         | 641         | 663        | 678        | 700        | 723        |
|                                    |  |   | Tap 5<br>HP High    | CFM [l/s]   | 2262 [1068] | 2245 [1060] | 2218 [1047] | 2190 [1034] | 2158 [1018] | 2135 [1008] | 2100 [991] | 2068 [976] | 2002 [945] | 1940 [916] |
|                                    |  |   |                     | RPM   | 867         | 880         | 897         | 936         | 956         | 985         | 1017       | 1043       | 1076       | 1094       |
|                                    |  |   |                     | Watts   | 736         | 748         | 760         | 784         | 797         | 818         | 841        | 858        | 865        | 846        |

NOTE: Grey cells indicate airflow outside of manufacturers recommendation.  
Do not connect wiring to unspecified speed taps.

| DOWN DISCHARGE PRESSURE DROP (ADD TO SIDE DISCHARGE EXTERNAL STATIC PRESSURE) |            |             |            |
|---|------------|-------------|------------|
| CFM [L/s]   | 800 [378]  | 1000 [472]  | 1200 [566] |
| Pressure Drop—Inches W.C. [kPa]   | .02 [.005] | .05 [.012]  | .07 [.017] |
|   |            | 1400 [661]  | 1600 [755] |
|   |            | .1 [.025]   | .12 [.030] |
|   |            | 1800 [849]  | 2000 [944] |
|   |            | .15 [.037]  | .17 [.042] |
|   |            | 2200 [1038] | 0.2 [.05]  |

[ ] Designates Metric Conversions

| ELECTRICAL DATA – RHP(A/X)ZR SERIES |  |         |         |         |         |         |         |
|-------------------------------------|--|---------|---------|---------|---------|---------|---------|
|                                     |  | 024AJT  | 030AJT  | 036AJT  | 042AJT  | 048AJT  | 060AJT  |
| Unit Information                    | Unit Operating Voltage Range               | 187-253 | 187-253 | 187-253 | 187-253 | 187-253 | 187-253 |
|                                     | Volts                                      | 208/230 | 208/230 | 208/230 | 208/230 | 208/230 | 208/230 |
|                                     | Phase                                      | 1       | 1       | 1       | 1       | 1       | 1       |
|                                     | Hz   | 60      | 60      | 60      | 60      | 60      | 60      |
|                                     | Minimum Circuit Ampacity                   | 17      | 21      | 24      | 28      | 34      | 40      |
|                                     | Minimum Overcurrent Protection Device Size | 20      | 25      | 30      | 35      | 40      | 50      |
|                                     | Maximum Overcurrent Protection Device Size | 25      | 30      | 35      | 40      | 50      | 60      |
| Compressor Motor                    | No.  | 1       | 1       | 1       | 1       | 1       | 1       |
|                                     | Volts                                      | 208/230 | 208/230 | 208/230 | 208/230 | 208/230 | 208/230 |
|                                     | Phase                                      | 1       | 1       | 1       | 1       | 1       | 1       |
|                                     | RPM  | 3500    | 3500    | 3500    | 3500    | 3500    | 3500    |
|                                     | HP, Compressor 1                           |         |         |         |         |         |         |
|                                     | Amps (RLA), Comp. 1                        | 10.1    | 11.7    | 14.3    | 15.9    | 20.8    | 23.5    |
|                                     | Amps (LRA), Comp. 1                        | 48.4    | 71.3    | 83.1    | 95.2    | 102.4   | 118     |
|                                     | HP, Compressor 2                           |         |         |         |         |         |         |
|                                     | Amps (RLA), Comp. 2                        |         |         |         |         |         |         |
|                                     | Amps (LRA), Comp. 2                        |         |         |         |         |         |         |
| Condenser Motor                     | No.  | 1       | 1       | 1       | 1       | 1       | 1       |
|                                     | Volts                                      | 208/230 | 208/230 | 208/230 | 208/230 | 208/230 | 208/230 |
|                                     | Phase                                      | 1       | 1       | 1       | 1       | 1       | 1       |
|                                     | HP   | 1/3     | 1/3     | 1/3     | 1/3     | 1/3     | 1/2     |
|                                     | Amps (FLA, each)                           | 1.5     | 2       | 2       | 2       | 2       | 2.3     |
|                                     | Amps (LRA, each)                           | 3       | 3.9     | 3.9     | 3.9     | 3.9     | 5.5     |
| Evaporator Fan                      | No.  | 1       | 1       | 1       | 1       | 1       | 1       |
|                                     | Volts                                      | 208/230 | 208/230 | 208/230 | 208/230 | 208/230 | 208/230 |
|                                     | Phase                                      | 1       | 1       | 1       | 1       | 1       | 1       |
|                                     | HP   | 1/3     | 1/2     | 1/2     | 3/4     | 3/4     | 1       |
|                                     | Amps (FLA, each)                           | 2.8     | 4.1     | 4.1     | 6       | 6       | 7.6     |
|                                     | Amps (LRA, each)                           |         |         |         |         |         |         |

1. Horsepower Per Compressor.
2. Amp Draw Per Motor. Multiply Value By Number of Motors to Determine Total Amps.

| <b>Electric Heater Kit Factory Installed Options*</b> | <b>Unit Model Application</b> |
|---|-------------------------------|
| RXQJ-A10J (208-240 volt, 1-ph, 10kW)                  | RHPAZR024/030/036             |
| RXQJ-A15J (208-240 volt, 1-ph, 15kW)                  | RHPAZR036<br>RHPXZR042        |
| RXQJ-B15J (208-240 volt, 1-ph, 15kW)                  | RHPXZR048/060                 |

\*Further kits for field installation on following pages.

## **WARNING**

**ONLY ELECTRIC HEATER KITS SUPPLIED BY THIS MANUFACTURER AS DESCRIBED IN THIS PUBLICATION HAVE BEEN DESIGNED, TESTED, AND EVALUATED BY A NATIONALLY RECOGNIZED SAFETY TESTING AGENCY FOR USE WITH THIS UNIT. USE OF ANY OTHER MANUFACTURED ELECTRIC HEATERS INSTALLED WITHIN THIS UNIT MAY CAUSE HAZARDOUS CONDITIONS RESULTING IN PROPERTY DAMAGE, FIRE, BODILY INJURY OR DEATH.**

**208/240 VOLT, SINGLE PHASE, 60 Hz, AUXILIARY ELECTRIC HEATER KITS CHARACTERISTICS AND APPLICATION**

| FRIEDRICH®<br>Model Number<br>RHP(A/X)ZR |   | Single Power Supply For Both Unit and Heater Kit |   |   |                                       | Separate Power Supply for Both Unit and Heater Kit |   |   |  |
|--|---|--|---|---|---------------------------------------|--|---|---|--|
|  |   | Heater Kit                                       |   | Air Conditioner                                       |                                       | Heater Kit   |   | Air Conditioner                                       |  |
| RXQJ-<br>Heater Kit<br>Nominal KW        | Rated<br>Heater kW<br>@ 208/240 V               | Heater<br>Amp.<br>@ 208/240 V                    | Unit Min. Ckt.<br>Ampacity<br>@ 208/240 V   | Over Current<br>Protective<br>Device Size<br>Min./Max | Min. Ckt.<br>Ampacity<br>208/240V     | Max. Fuse<br>Size<br>208/240                       | Min. Ckt.<br>Ampacity<br>208/240 V        | Over Current<br>Protective<br>Device Size<br>Min./Max |  |
| 024AJT000NA<br>HEATER KW                 | —<br>3.6/4.8<br>5.7/7.6<br>7.2/9.6              | —<br>17.3/20<br>27.4/31.6<br>34.6/40             | 17/17<br>39/42<br>52/57<br>61/67            | 25/25<br>40/45<br>60/60<br>70/70                      | —<br>22/25<br>35/40<br>44/50          | —<br>25/25<br>35/40<br>45/50                       | 17/17<br>17/17<br>17/17<br>17/17          | 25/25<br>25/25<br>25/25<br>25/25                      |  |
| 030AJT000NA<br>HEATER KW                 | —<br>3.6/4.8<br>5.7/7.6<br>7.2/9.6              | —<br>17.3/20<br>27.4/31.6<br>34.6/40             | 21/21<br>43/46<br>55/61<br>64/71            | 30/30<br>45/50<br>60/70<br>70/80                      | —<br>22/25<br>35/40<br>44/50          | —<br>25/25<br>35/40<br>45/50                       | 21/21<br>21/21<br>21/21<br>21/21          | 30/30<br>30/30<br>30/30<br>30/30                      |  |
| 036AJT000NA<br>HEATER KW                 | —<br>3.6/4.8<br>5.7/7.6<br>7.2/9.6<br>10.8/14.4 | —<br>17.3/20<br>27.4/31.6<br>34.6/40<br>51.9/60  | 24/24<br>46/49<br>59/64<br>68/74<br>89/99   | 35/35<br>50/50<br>60/70<br>70/80<br>90/100            | —<br>22/25<br>35/40<br>44/50<br>65/75 | —<br>25/25<br>35/40<br>45/50<br>70/80              | 24/24<br>24/24<br>24/24<br>24/24<br>24/24 | 35/35<br>35/35<br>35/35<br>35/35<br>35/35             |  |
| 042AJT000NA<br>HEATER KW                 | —<br>3.6/4.8<br>5.7/7.6<br>7.2/9.6<br>10.8/14.4 | —<br>17.3/20<br>27.4/31.6<br>34.6/40<br>51.9/60  | 28/28<br>50/53<br>63/68<br>72/78<br>93/103  | 40/40<br>60/60<br>70/70<br>80/80<br>100/110           | —<br>22/25<br>35/40<br>44/50<br>65/75 | —<br>25/25<br>35/40<br>45/50<br>70/80              | 28/28<br>28/28<br>28/28<br>28/28<br>28/28 | 40/40<br>40/40<br>40/40<br>40/40<br>40/40             |  |
| 048AJT000NA<br>HEATER KW                 | —<br>3.6/4.8<br>5.7/7.6<br>7.2/9.6<br>10.8/14.4 | —<br>17.3/20<br>27.4/31.6<br>34.6/40<br>51.9/60  | 34/34<br>56/59<br>69/74<br>78/84<br>99/109  | 50/50<br>70/70<br>80/80<br>80/90<br>100/110           | —<br>22/25<br>35/40<br>44/50<br>65/75 | —<br>25/25<br>35/40<br>45/50<br>70/80              | 34/34<br>34/34<br>34/34<br>34/34<br>34/34 | 50/50<br>50/50<br>50/50<br>50/50<br>50/50             |  |
| 060AJT000NA<br>HEATER KW                 | —<br>3.6/4.8<br>5.7/7.6<br>7.2/9.6<br>10.8/14.4 | —<br>17.3/20<br>27.4/31.6<br>34.6/40<br>51.9/60  | 40/40<br>61/65<br>74/79<br>83/90<br>105/115 | 60/60<br>80/80<br>90/90<br>90/100<br>110/125          | —<br>22/25<br>35/40<br>44/50<br>65/75 | —<br>25/25<br>35/40<br>45/50<br>70/80              | 40/40<br>40/40<br>40/40<br>40/40<br>40/40 | 60/60<br>60/60<br>60/60<br>60/60<br>60/60             |  |

# DIMENSIONAL DATA

## RHPA Cabinet

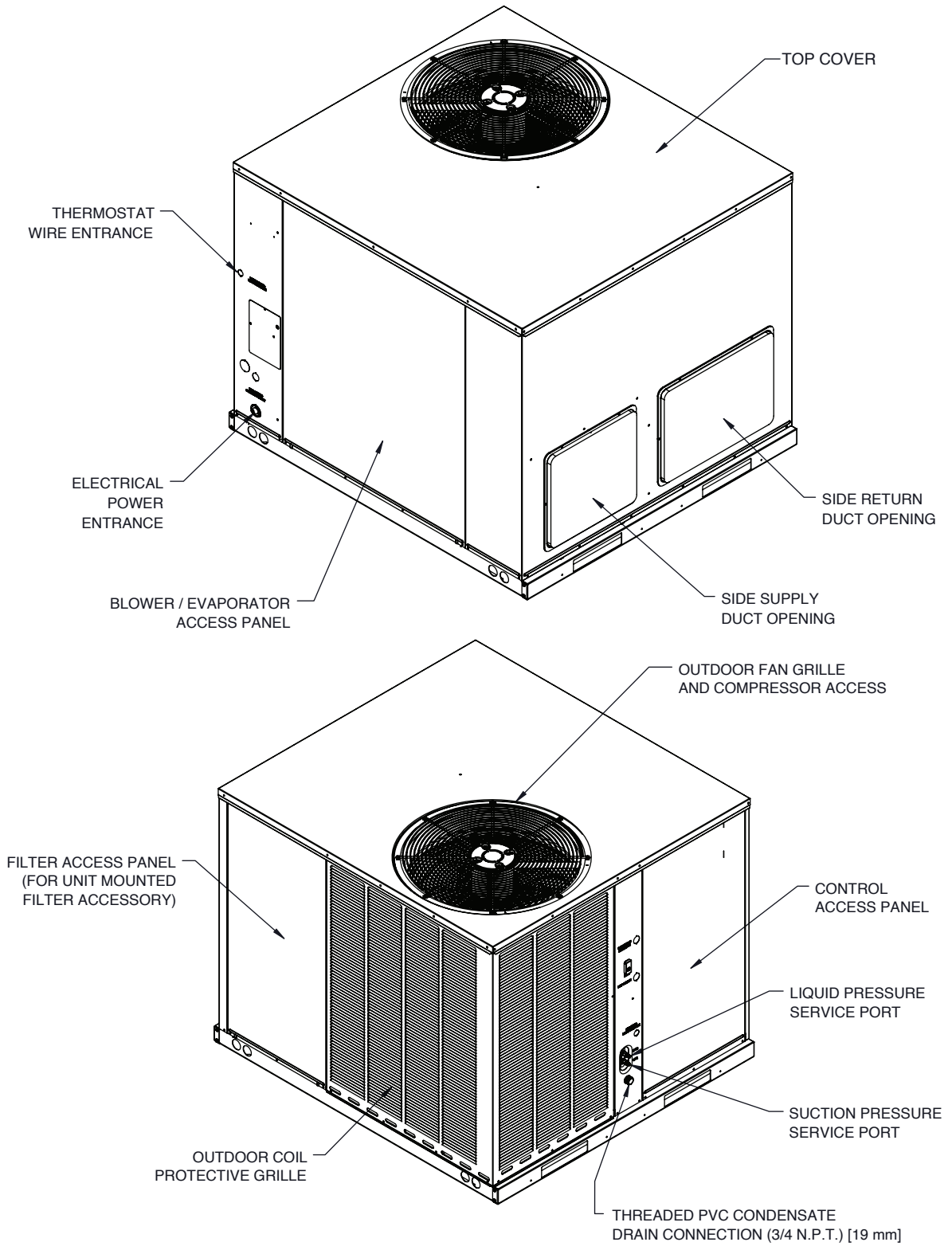
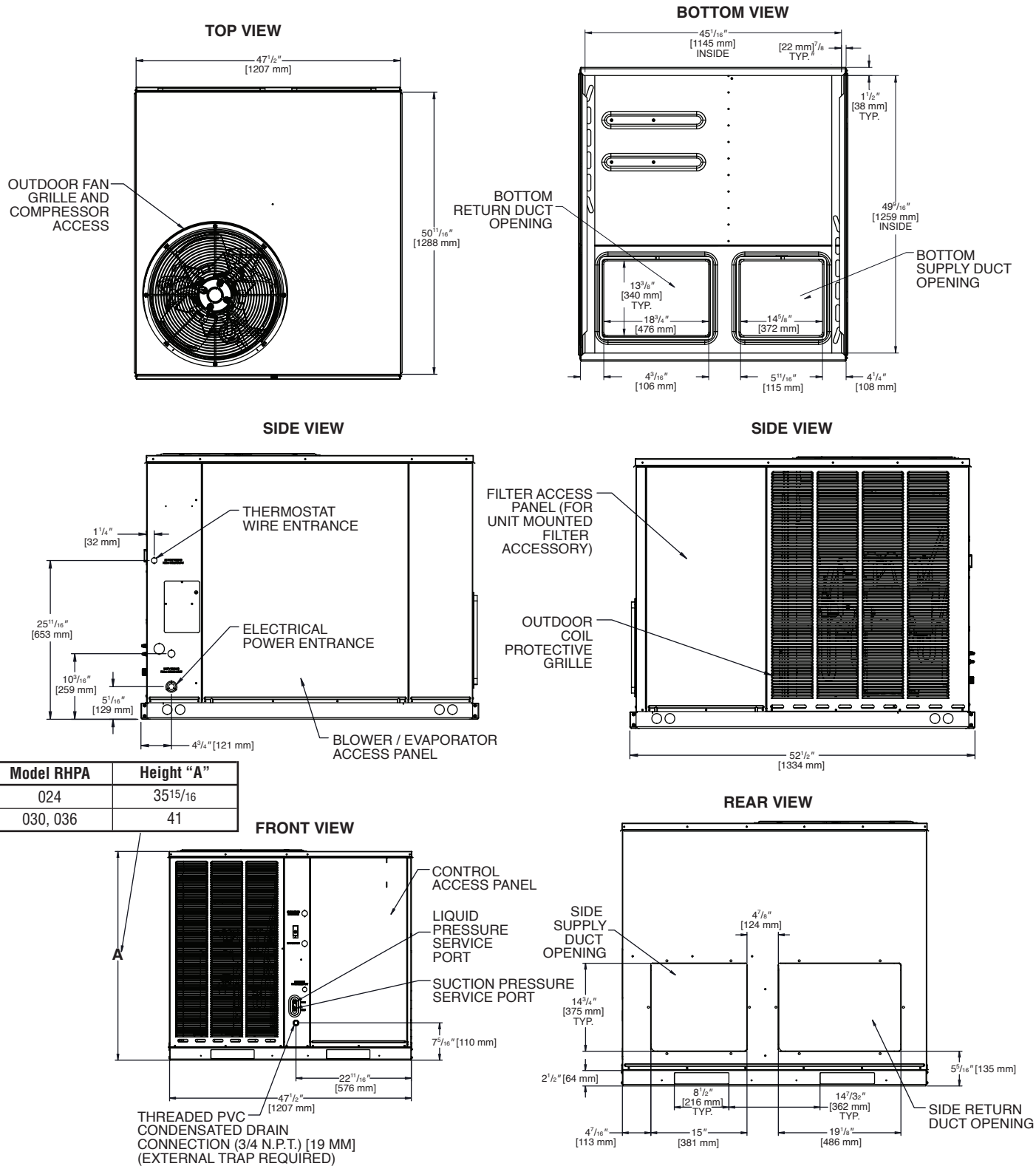


Illustration  
ST-A1333-01

[ ] Designates Metric Conversions

# DIMENSIONAL DATA

## RHPA Cabinet



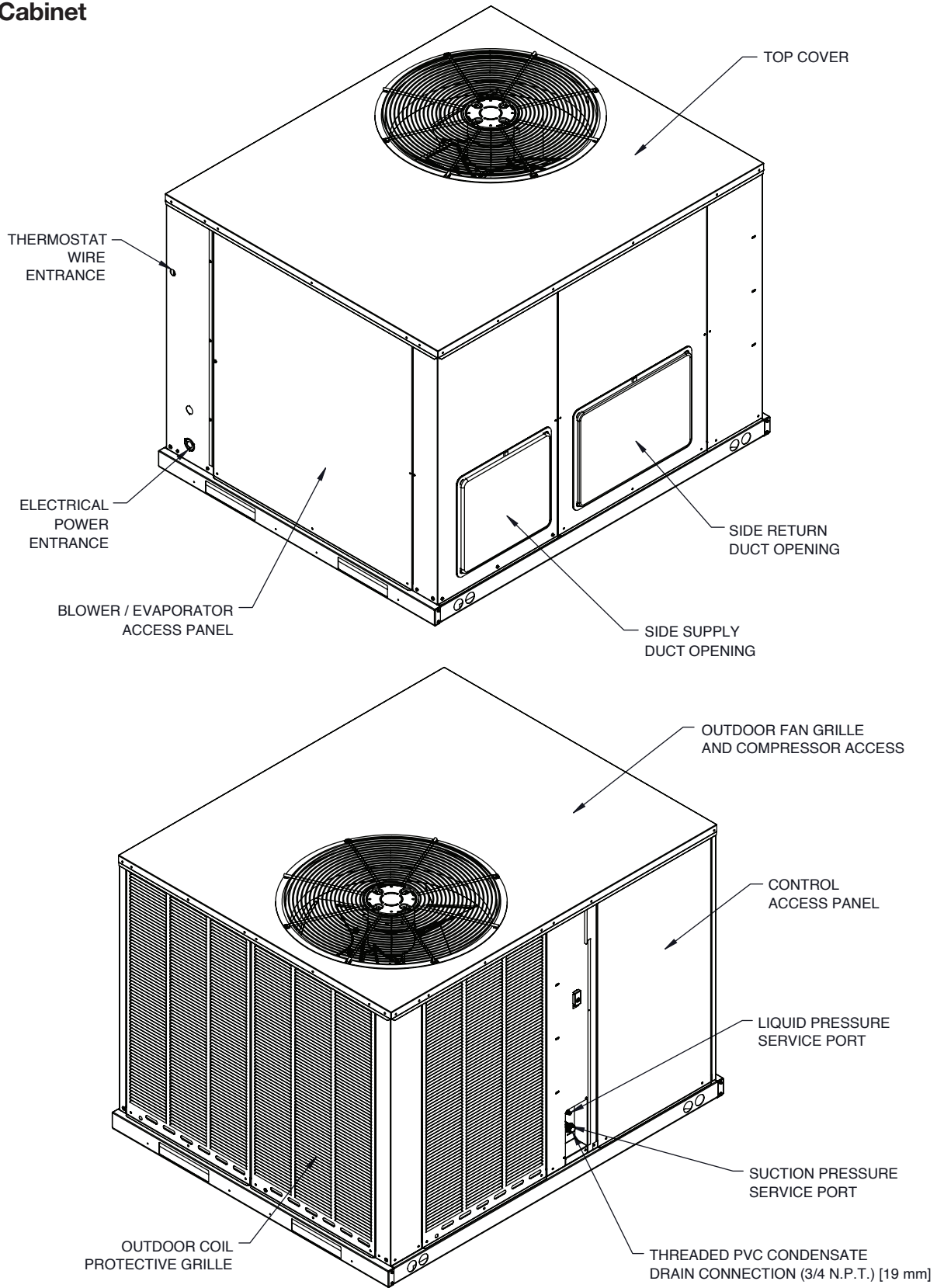
| Model RHPA | Height "A"                       |
|------------|----------------------------------|
| 024        | 35 <sup>15</sup> / <sub>16</sub> |
| 030, 036   | 41                               |

[ ] Designates Metric Conversions

Illustration  
ST-A1333-02

# DIMENSIONAL DATA

## RHPX Cabinet



[ ] Designates Metric Conversions

Illustration  
ST-A1334-01



# DIMENSIONAL DATA

## RHPX Cabinet

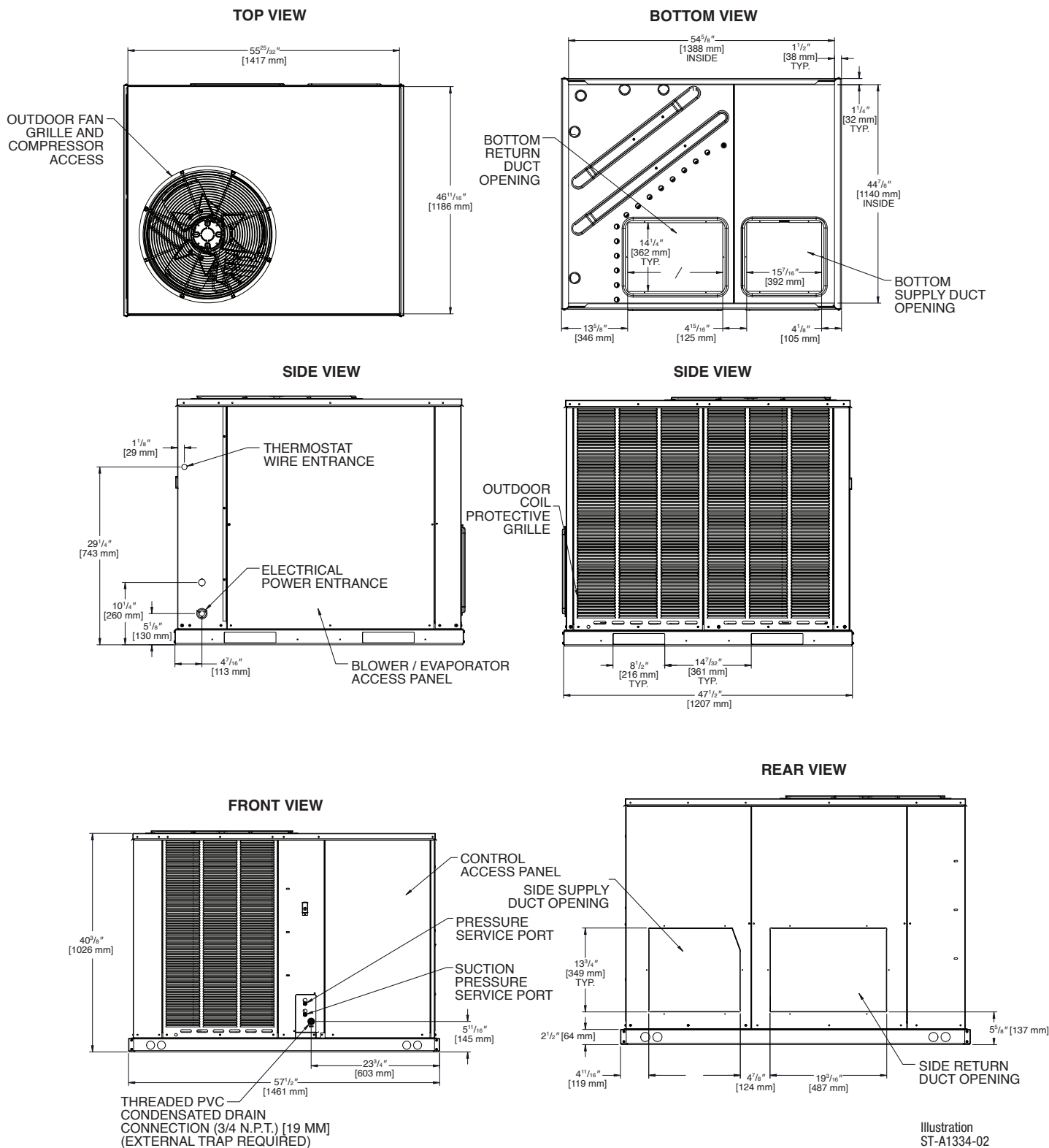
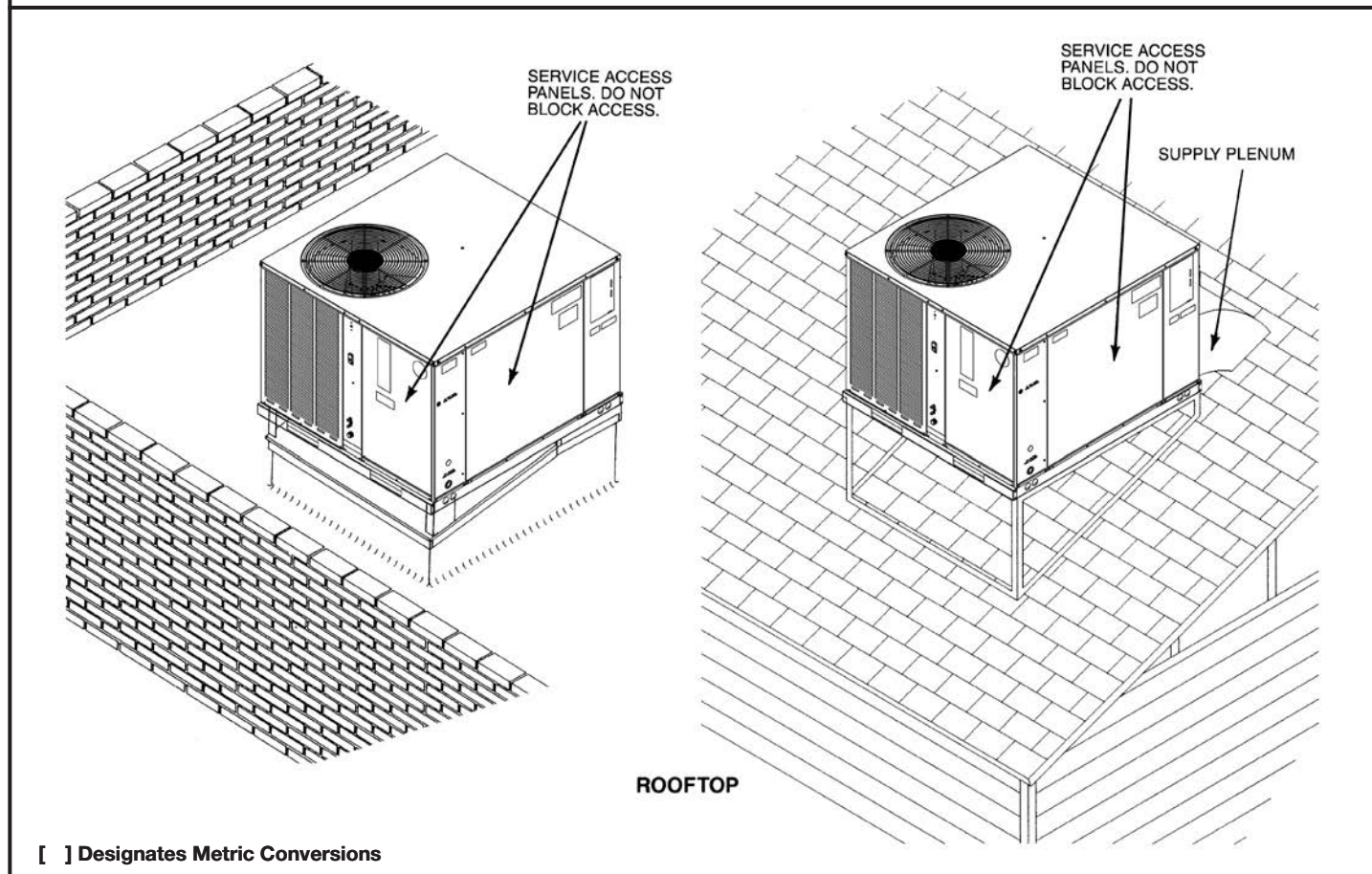
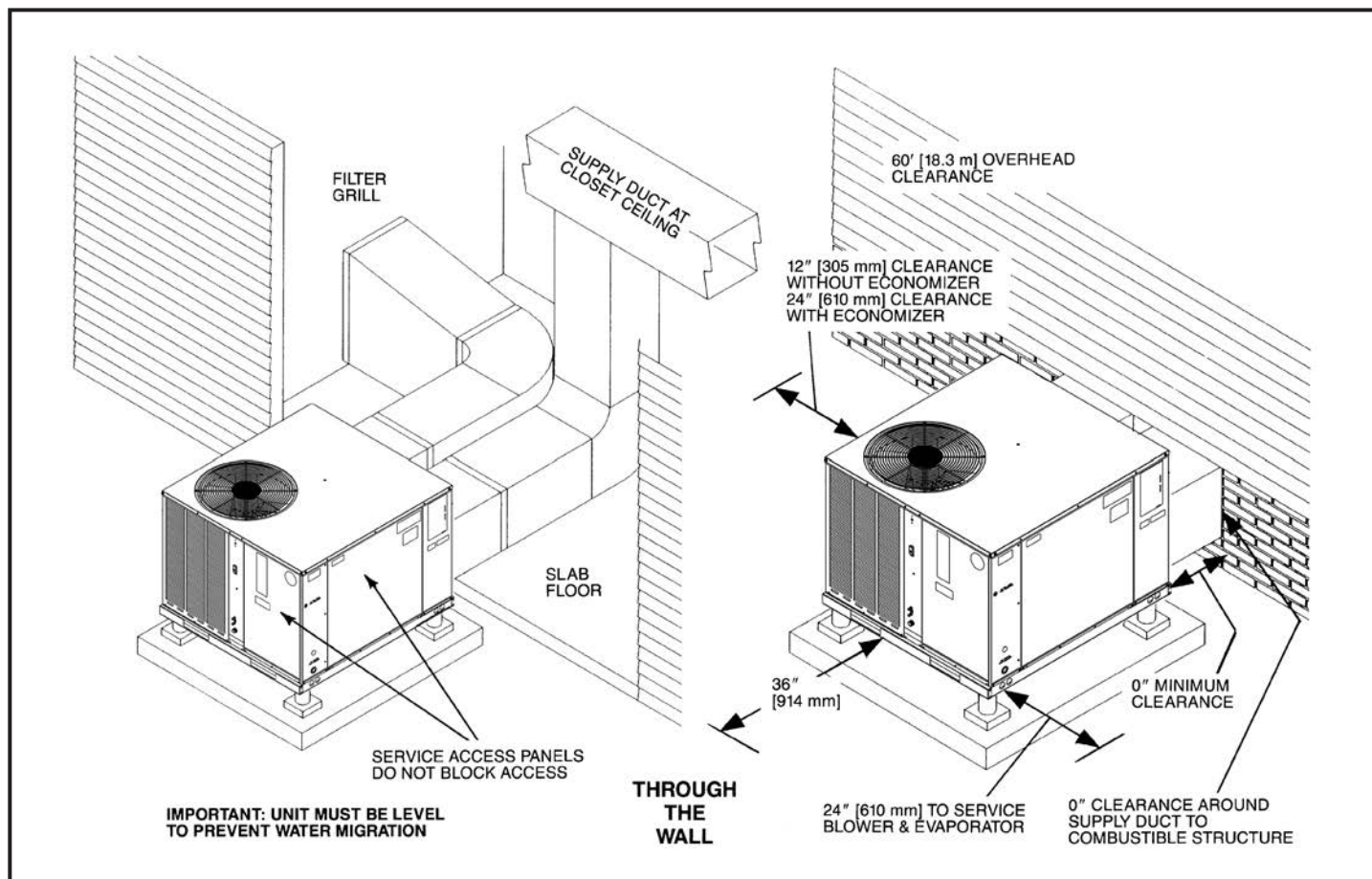


Illustration  
ST-A1334-02

[ ] Designates Metric Conversions



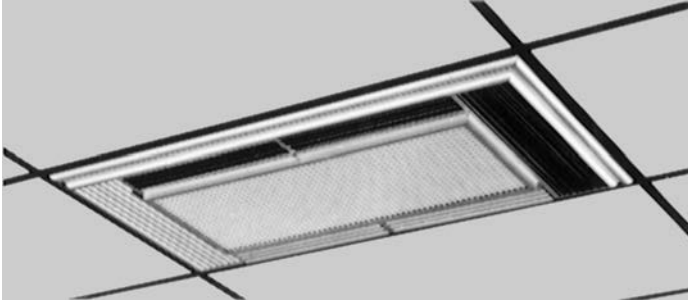
[ ] Designates Metric Conversions

## ACCESSORY EQUIPMENT

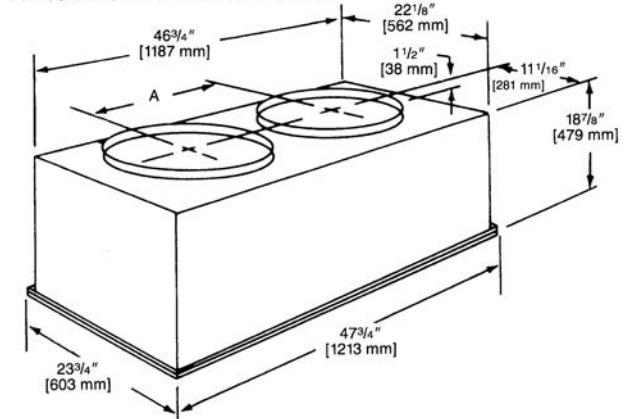
| Accessory Description                            | Model Application | Accessory Model No.              |
|--|-------------------|----------------------------------|
| Roofcurb   | RHPA              | RXSG-AAA08 (8" [203 mm] Height)  |
|  |                   | RXSG-AAA14 (14" [356 mm] Height) |
|  | RHPX              | RXSG-AXA14 (14" [356 mm] Height) |
|  |                   | RXSG-AXA24 (24" [610 mm] Height) |
| Curb Adapter ("A" footprint to "X" footprint)    | RHPX              | RXRX-DXCAE                       |
| Supply & Return Diffusers                        | RHPA/X            | RXRN-BD15                        |
| Economizers (Convertible)                        | RHPA              | AXRD-01RACAM3                    |
|  | RHPX              | RXRE-11RXCAM3                    |
| Dual Enthalpy Kit                                | RHPA              | RXAX-A04                         |
|  | RHPX              | RXRX-BV03                        |
| Fresh Air Damper                                 | RHPA              | AXRF-FAA1 (Fixed-35%)            |
|  |                   | AXRF-FAB1 (Motorized-35%)        |
|  | RHPX              | RXRF-FAA2 (Fixed-35%)            |
|  |                   | RXRF-FAB2 (Motorized-35%)        |
| Rectangular to Round Transition (Downflow)       | RHPA/X            | RXMC-CA02 (16" [406 mm] Ducts)   |
|  |                   | RXMC-CA03 (18" [457 mm] Ducts)   |
| Filter Kit                                       | RHPA              | RXRY-B01                         |
|  | RHPX              | RXRY-B02                         |
| Low Ambient Control                              | RHPA/X            | RXPZ-G01                         |
| Duct Adapter Sideflow Square to Round Transition | RHPA/X            | AXMC-BA01                        |
| Lift Kit   | RHPA/X            | RXML-A01                         |
| Split Door Design Kit                            | RHPX              | RXRX-SDX01                       |
| Phase Monitor Kit                                | 3ph-RHPA/X        | RXRX-PM3A02                      |

[ ] Designates Metric Conversions

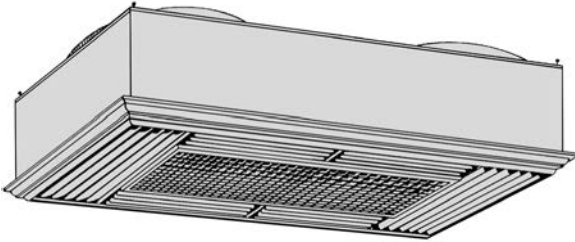
## COMMON SUPPLY/RETURN CONCENTRIC AIR DIFFUSER



DIFFUSER INSTALLS FLUSH WITH CEILING



## SUPPLY/RETURN DIFFUSER



Designed to convert a side by side or an over and under arrangement into a concentric distribution of air. The diffuser is flush mounted, completely insulated, assembled, and internally baffled to provide four way supply air distribution with a center return. To make the assembly complete and ready to fit into a 2' [0.61 m] x 4' [1.22 m] suspended ceiling grid, the diffuser includes adjustable supply louvers, hanging rings, anti-sweat gasket, and round flanges for use with flexible ducts.

| Model No.<br>RXRN- | Diameter<br>Inches [mm] | Shipping Wt.<br>Lbs. [kg] | Dimension A<br>Inches [mm] |
|--------------------|-------------------------|---------------------------|----------------------------|
| BD15               | 16 [406]                | 90 [40.82]                | $20\frac{1}{2}$ [521]      |

[ ] Designates Metric Conversions

**NOTE:** The location of the combination supply and return diffuser should not exceed 10 feet [3.05 m] above the floor level for units @ 1000 CFM [472 L/s] or less and 12 [3.66 m] to 14 feet [4.27 m] above the floor level for units with CFM greater than 1000 [472 L/s]. If the diffuser is installed with a greater distance than recommended above, the supply air may become stratified above the required comfort area causing uncomfortable conditions.

## AIRFLOW/PRESSURE DROP INFORMATION (INCHES W.C. [kPa])

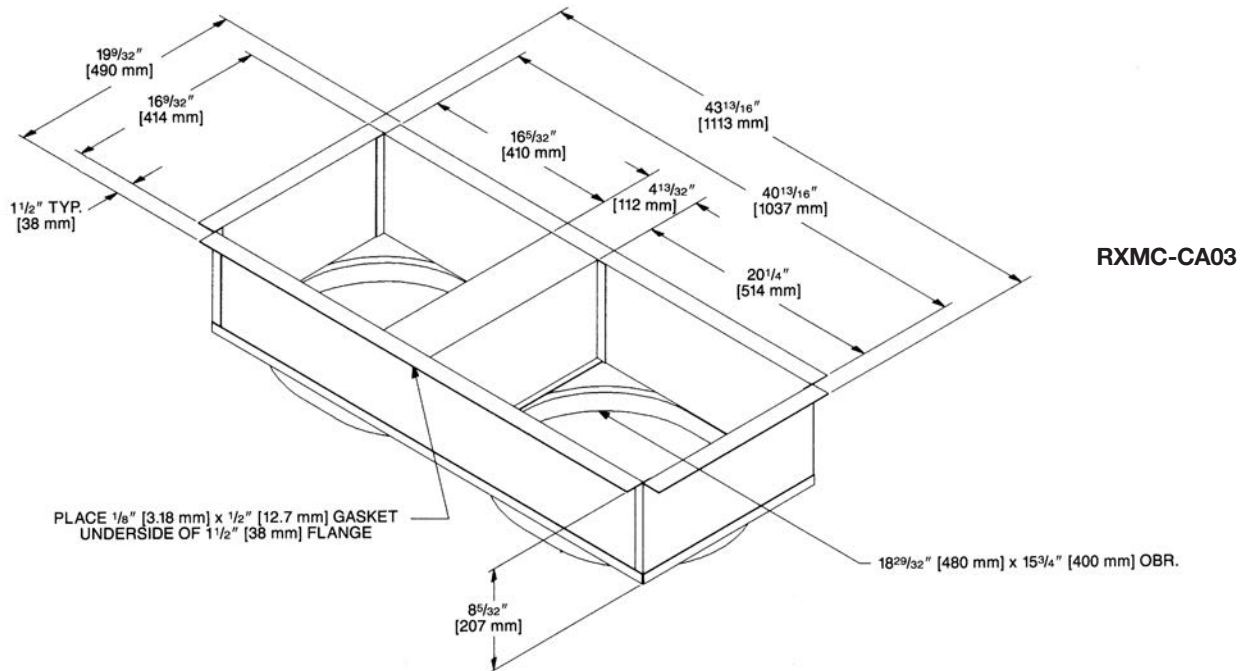
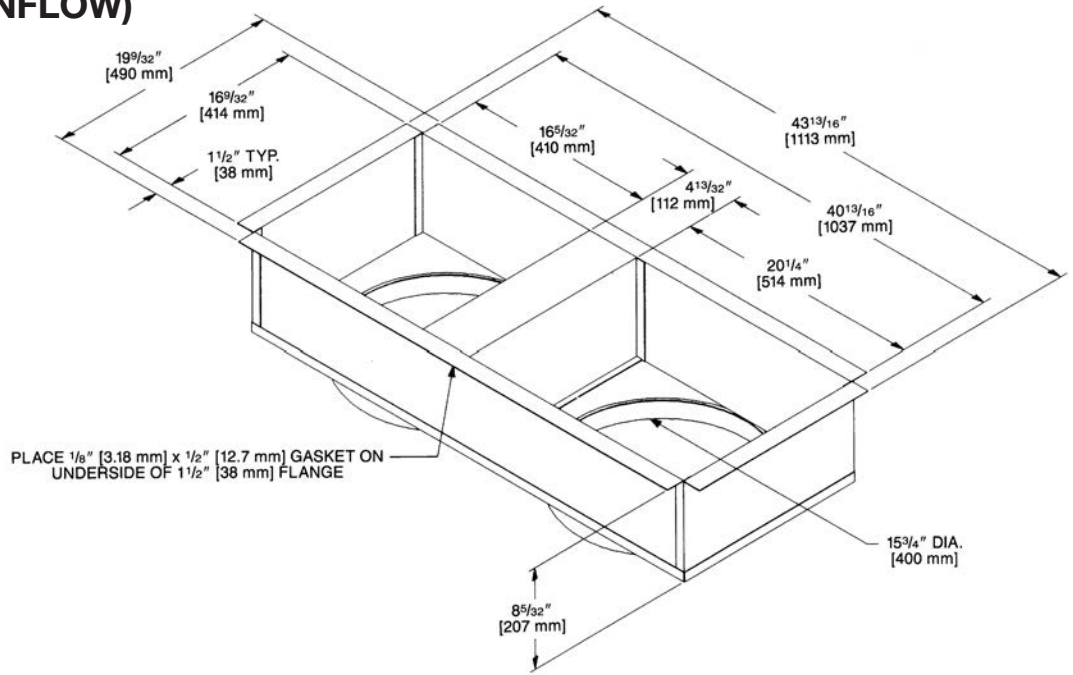
| Accessory                   | Approximate CFM [L/s]-Supply Air |            |            |             |
|-----------------------------|----------------------------------|------------|------------|-------------|
|                             | 1300 [614]                       | 1575 [743] | 1800 [850] | 2200 [1038] |
| Plenum & Supply/Return Duct | .07 [.017]                       | .10 [.024] | .12 [.030] | .17 [.042]  |
| Diffuser                    | .09 [.022]                       | .13 [.032] | .16 [.040] | .24 [.060]  |
| Economizer                  | .06 [.015]                       | .09 [.022] | .11 [.027] | .17 [.042]  |

## SUPPLY AIR/PERFORMANCE

| Diffuser Airflow CFM [L/s] | Range of Throw Ft. [m] |
|----------------------------|------------------------|
| 800 [378]-1200 [566]       | 14 [4.27]-16 [4.88]    |
| 1600 [755]-2000 [944]      | 18 [5.49]-28 [8.53]    |

# DUCT ADAPTERS RECTANGULAR TO ROUND TRANSITIONS (DOWNFLOW)

RXMC-CA02



[ ] Designates Metric Conversions

## FRESH AIR DAMPER

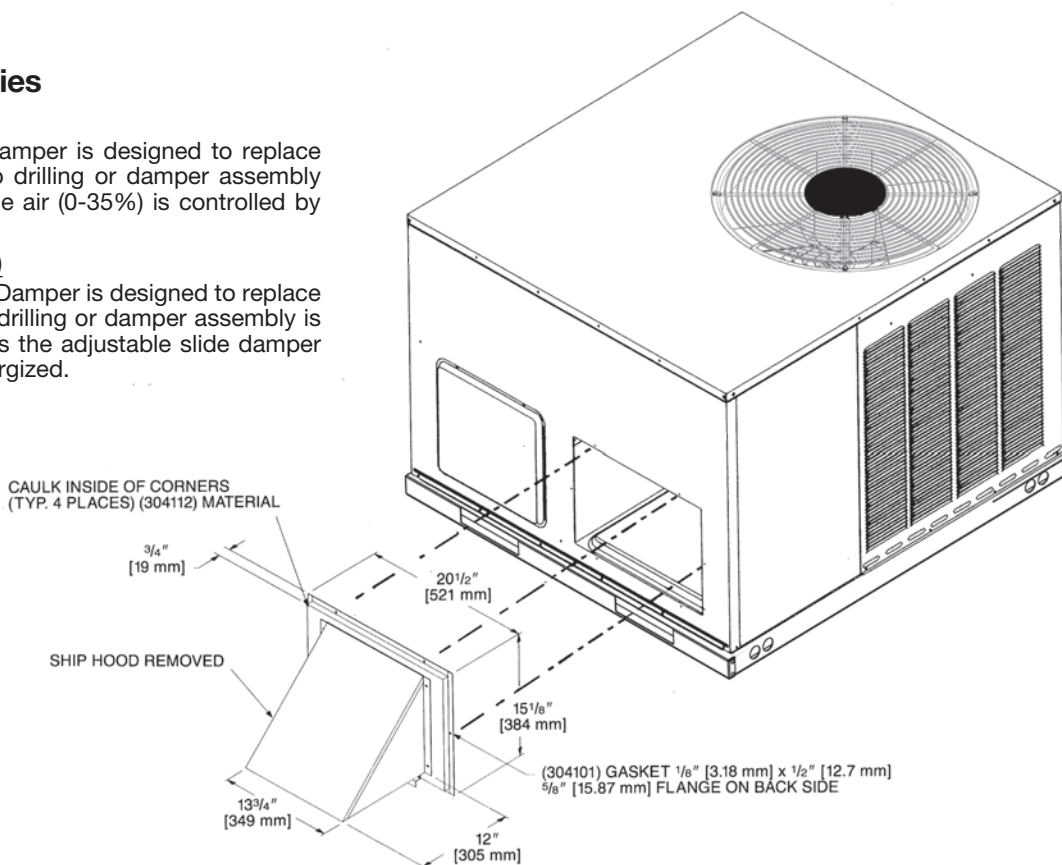
### For use on RHPAZR- Series

#### AXRF-FAA1 (Fixed - 0-35%)

The 0-35% manual outside Air Damper is designed to replace the unit return air duct cover. No drilling or damper assembly is required. The amount of outside air (0-35%) is controlled by simply adjusting the side damper.

#### AXRF-FAB1 (Motorized - 0-35%)

The 0-35% motorized outside Air Damper is designed to replace the unit return air duct cover. No drilling or damper assembly is required. The control motor opens the adjustable slide damper when the unit blower motor is energized.



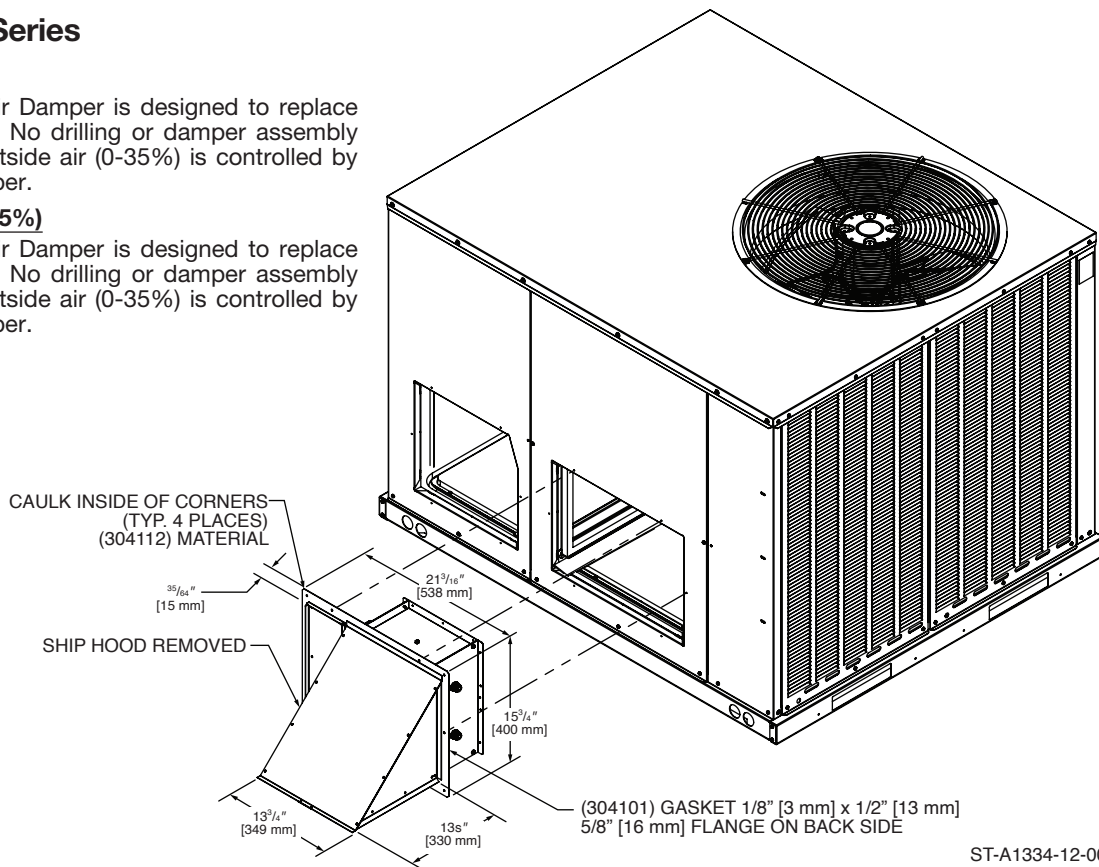
### For use on RHPXZR- Series

#### RXRF-FAA2 (Fixed - 0-35%)

The 0-35% manual outside Air Damper is designed to replace the unit return air duct cover. No drilling or damper assembly is required. The amount of outside air (0-35%) is controlled by simply adjusting the side damper.

#### RXRF-FAB2 (Motorized - 0-35%)

The 0-35% manual outside Air Damper is designed to replace the unit return air duct cover. No drilling or damper assembly is required. The amount of outside air (0-35%) is controlled by simply adjusting the side damper.



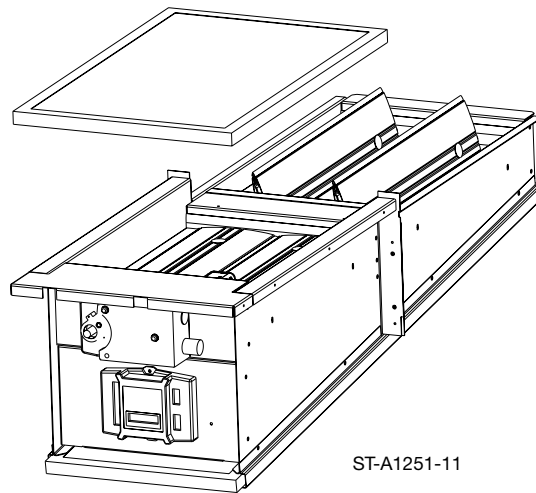
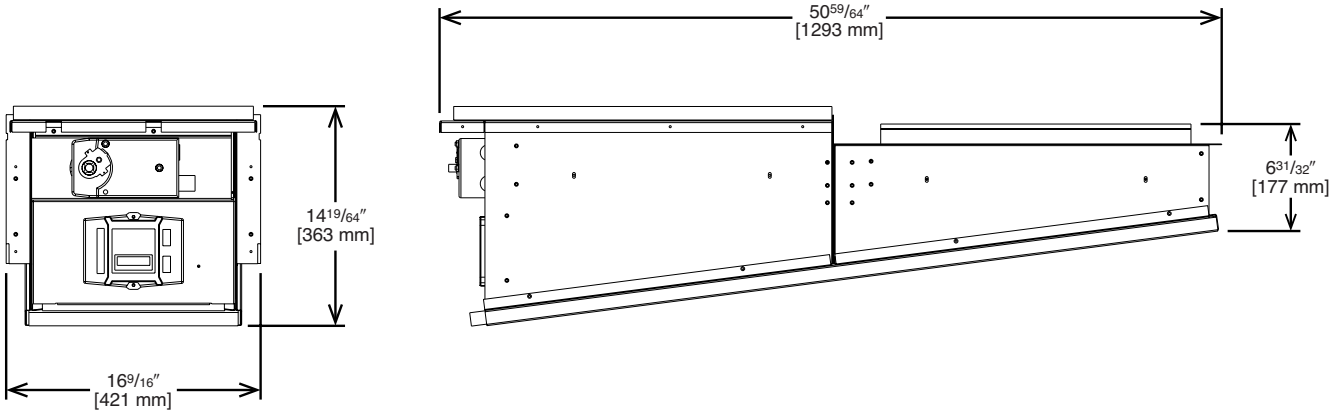
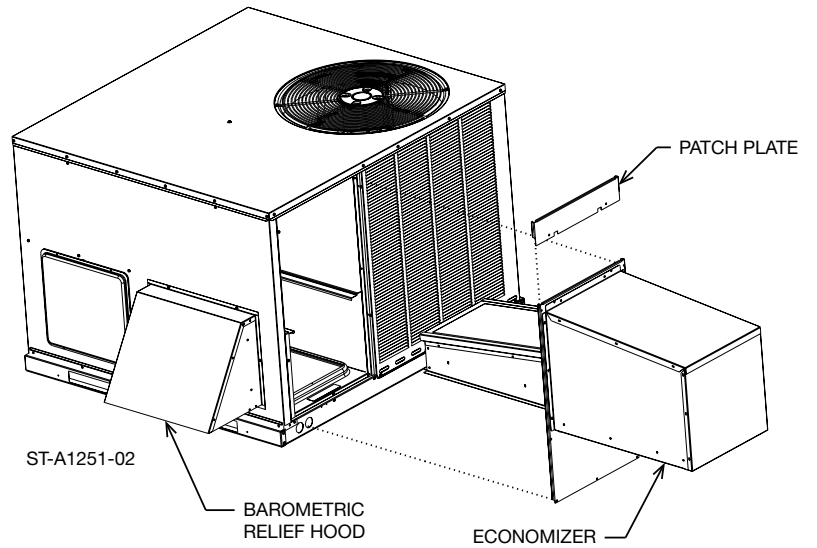
[ ] Designates Metric Conversions

ST-A1334-12-00

## ECONOMIZER

For use on RHPAZR- Series  
AXRD-01RACAM3 (Fully Modulating)  
Horizontally and Vertically Applicable

- LCD Screen for Continuous diagnostic and system status
- Programmable set points for accurate positioning
- Simplified wiring and color coded terminals
- Onboard fault detection and diagnostics (FDD)
- Operational Checkout to verify installation
- Enthalpy sensors and actuator that communicate through a Syk Bus Network with the Jade Controller reducing wiring errors while providing more information
- CO<sub>2</sub> sensor input for DCV (Demand Control Ventilation) applications
- RXRX-AV04 Dual Enthalpy kit available for field installation
- AMCA licensed class 1A low leak Dampers



[ ] Designates Metric Conversions

# ECONOMIZER

## For use on RHPXZR- Series RXRE-11RXCAM3

- LCD Screen for Continuous diagnostic and system status
- Programmable set points for accurate positioning
- Simplified wiring and color coded terminals
- Onboard fault detection and diagnostics (FDD)
- Operational Checkout to verify installation
- Enthalpy sensors and actuator that communicate with Siemens controller reducing wiring errors while providing more information
- Setup and configure the economizer controller before putting it into usage by using the Climatix Mobile app or the inbuilt display
- CO2 sensor input for demand control ventilation (DCV) applications
- RXRX-BV03 dual enthalpy kit available for field installation
- AMCA licensed class 1A low leak dampers

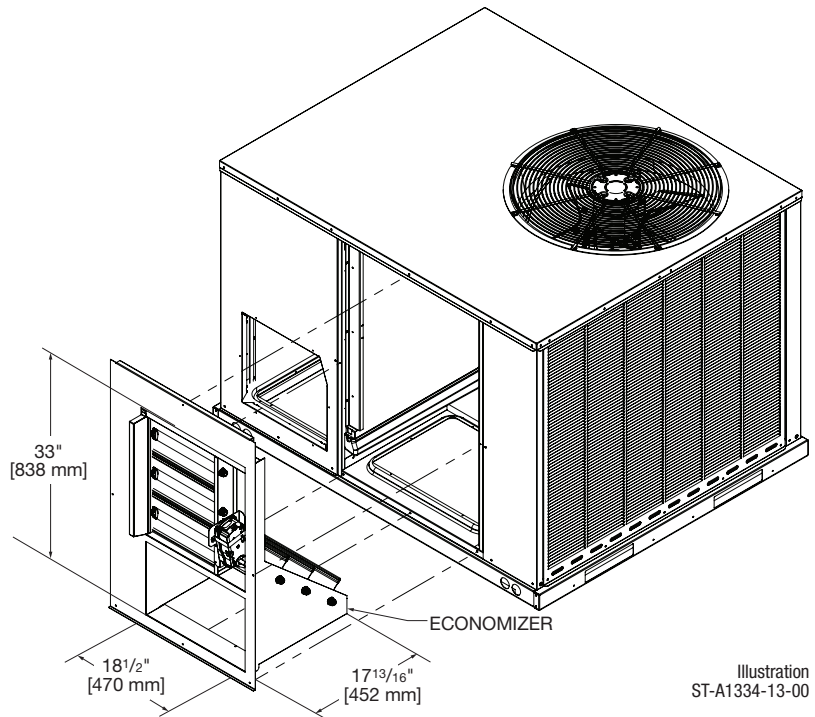


Illustration  
ST-A1334-13-00

### VERTICAL APPLICATION

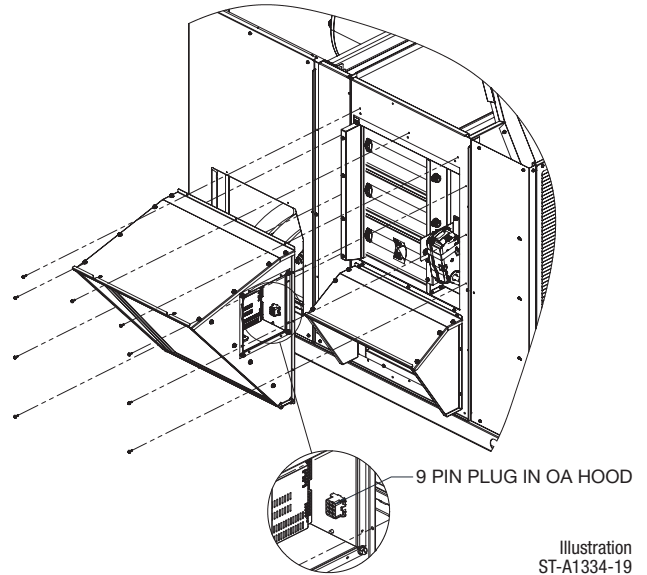
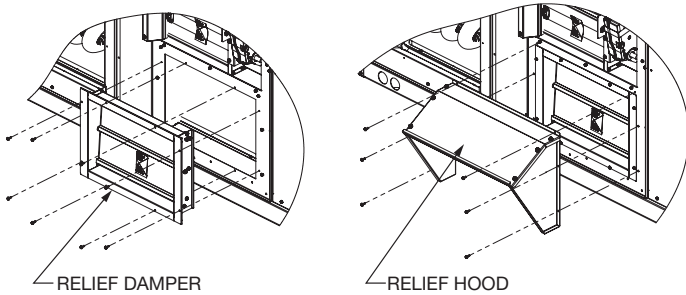


Illustration  
ST-A1334-19

### HORIZONTAL APPLICATION

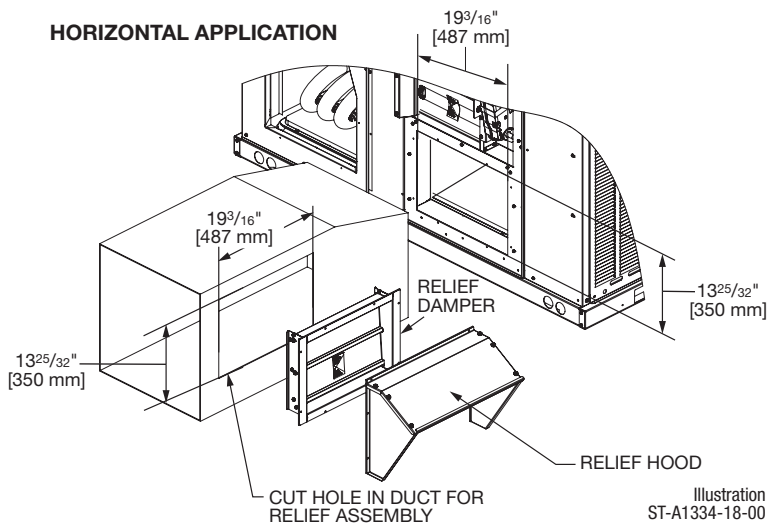


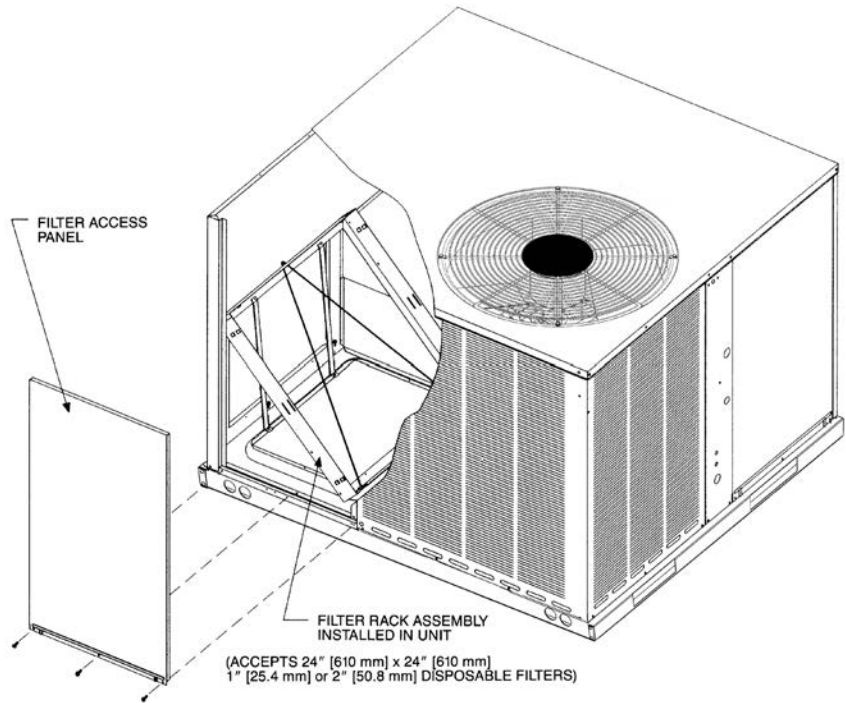
Illustration  
ST-A1334-18-00

[ ] Designates Metric Conversions



# FILTER KIT INSTALLATION RXRY-B01

For use in either vertical or horizontal discharge with the "A" cabinet.



| Airflow Pressure Drop, Inches W.C. [kPa] |             |             |
|--|-------------|-------------|
| CFM [L/s]                                | 1" Filter   | 2" Filter   |
| 500 [236]                                | .02 [.0050] | .03 [.0075] |
| 600 [283]                                | .02 [.0050] | .03 [.0075] |
| 700 [330]                                | .03 [.0075] | .04 [.0010] |
| 800 [378]                                | .04 [.0010] | .05 [.0124] |
| 900 [425]                                | .05 [.0124] | .06 [.0149] |
| 1000 [472]                               | .07 [.0174] | .08 [.0199] |
| 1100 [519]                               | .08 [.0199] | .09 [.0224] |
| 1200 [566]                               | .10 [.0249] | .12 [.0299] |
| 1300 [614]                               | .13 [.0324] | .15 [.0373] |
| 1400 [661]                               | .16 [.0398] | .19 [.0473] |
| 1500 [708]                               | .19 [.0473] | .21 [.0523] |
| 1600 [755]                               | .20 [.0498] | .23 [.0572] |
| 1700 [802]                               | .21 [.0523] | .24 [.0598] |
| 1800 [850]                               | .22 [.0548] | .25 [.0623] |
| 1900 [897]                               | .24 [.0598] | .27 [.0672] |
| 2000 [944]                               | .26 [.0647] | .29 [.0722] |

[ ] Designates Metric Conversions

## FILTER KIT INSTALLATION RXRY-B02

For use in either vertical or horizontal discharge with the "X" cabinet.

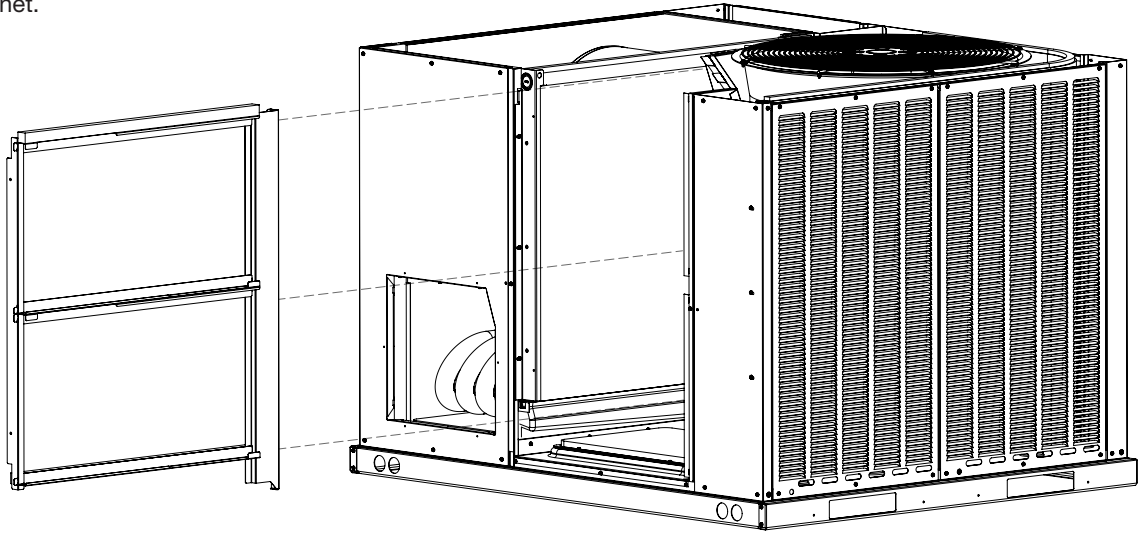


Illustration  
ST-A1352-01-00

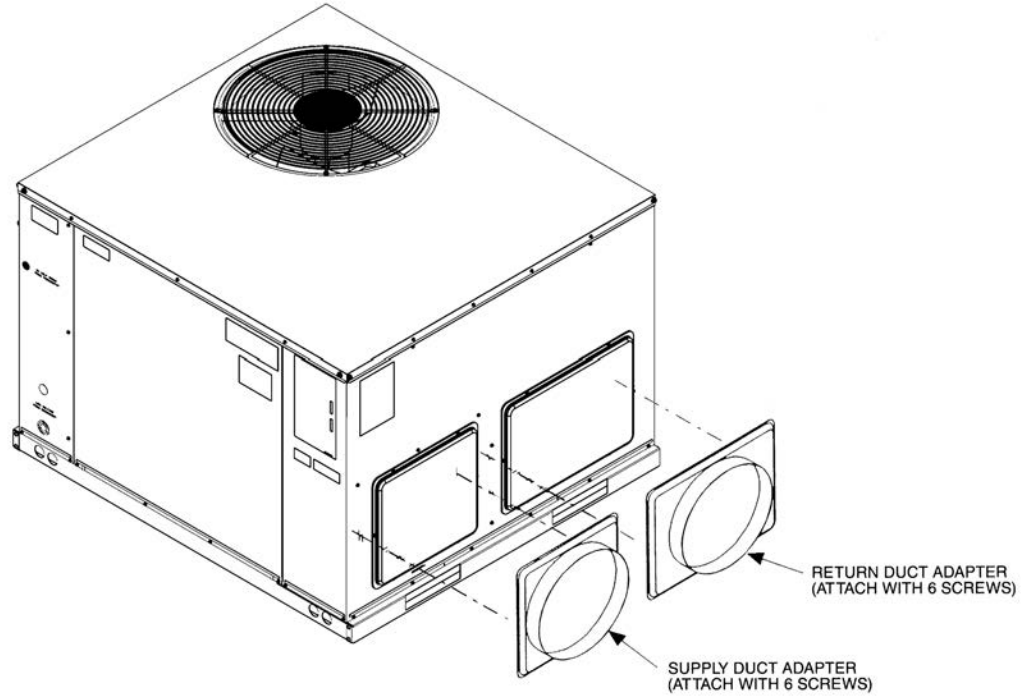
| Airflow Pressure Drop (1" filter) |                   |
|-----------------------------------|-------------------|
| CFM [L/s]                         | Inches W.C. [kPa] |
| 600 [283]                         | 0.01 [0.002]      |
| 800 [378]                         | 0.01 [0.002]      |
| 1000 [472]                        | 0.02 [0.005]      |
| 1200 [566]                        | 0.03 [0.008]      |
| 1400 [661]                        | 0.05 [0.012]      |
| 1600 [755]                        | 0.07 [0.017]      |
| 1800 [850]                        | 0.08 [0.021]      |
| 2000 [944]                        | 0.10 [0.026]      |

[ ] Designates Metric Conversions

## DUCT ADAPTER SIDEFLOW SQUARE TO ROUND TRANSITION AXMC-BA01

Adapts the side rectangular supply and return openings to 14" [356 mm] diameter round openings. Adapters provided with same finish as unit and also provided with thermal insulation.

[ ] Designates Metric Conversions

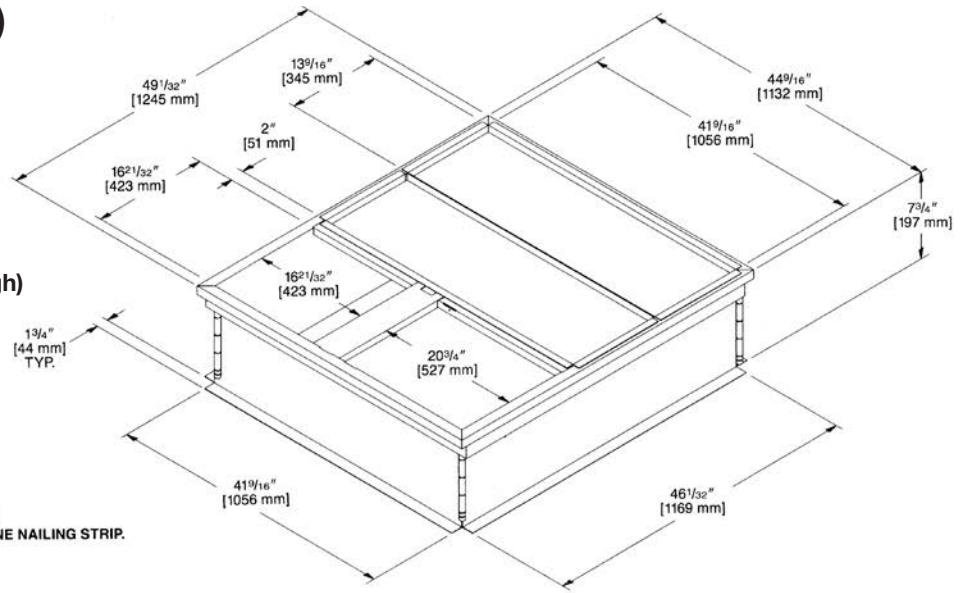


# ROOFCURB (Full Perimeter)

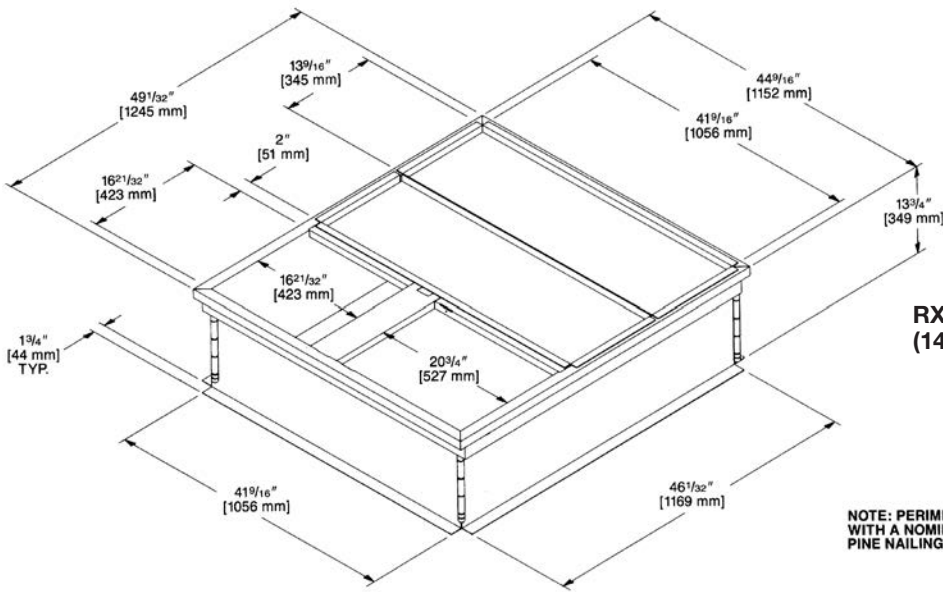
For use on RHPAZR- Series  
RXSG-AAA08 & RXSG-AAA14

Note: Hinged corners make for fast, easy set-up.

**RXSG-AAA08**  
(8" [203 mm] High)



NOTE: PERIMETER OF ROOFCURB IS SUPPLIED WITH A NOMINAL 1" [25.4 mm] x 4" [102 mm] PINE NAILING STRIP.



**RXSG-AAA14**  
(14" [356 mm] High)

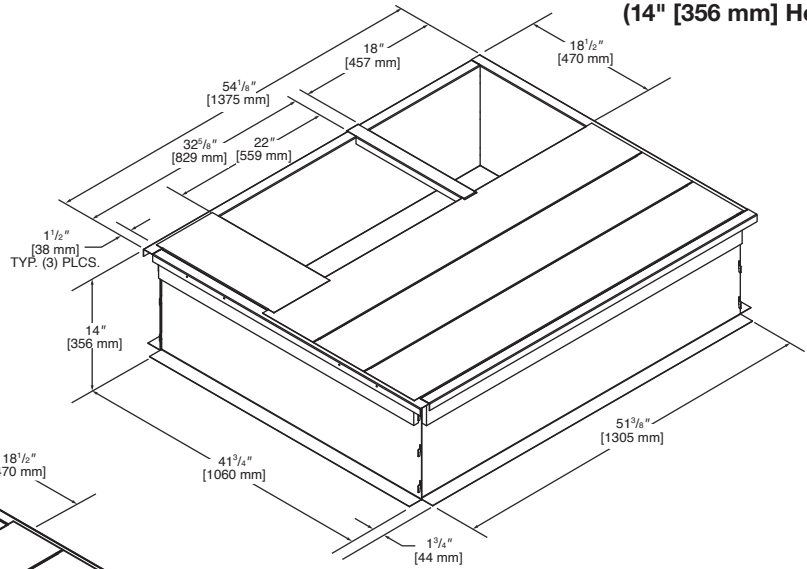
NOTE: PERIMETER OF ROOFCURB IS SUPPLIED WITH A NOMINAL 1" [25.4 mm] x 4" [102 mm] PINE NAILING STRIP.

[ ] Designates Metric Conversions

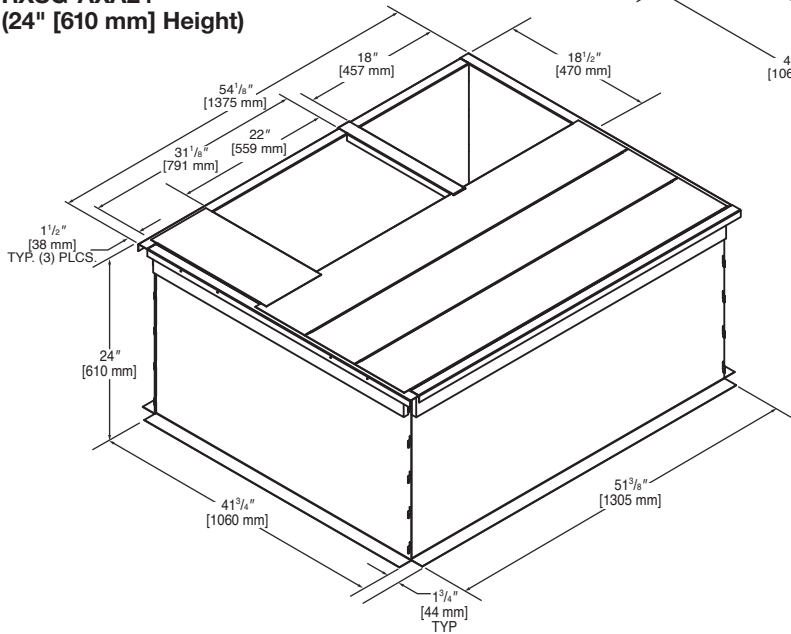
## ROOFCURB (Full Perimeter) RXSG-AXA14 & RXSG-AXA24 for RHPXZR - Series

Note: Hinged corners make  
for fast, easy set-up.

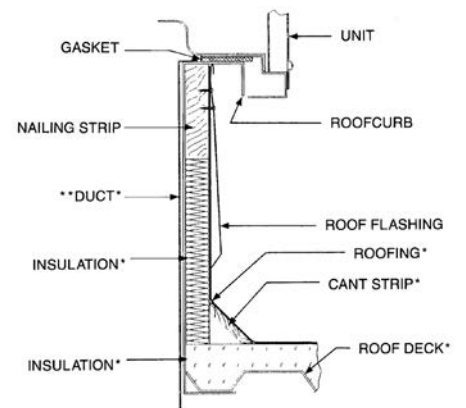
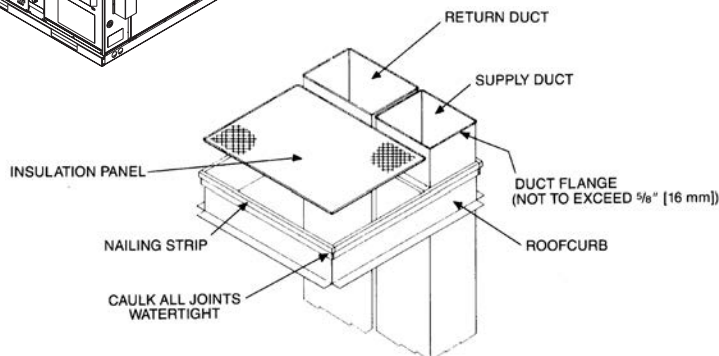
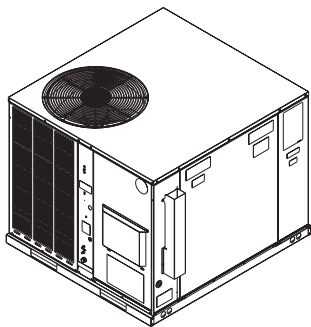
### RXSG-AXA14 (14" [356 mm] Height)



### RXSG-AXA24 (24" [610 mm] Height)



## PACKAGED HEAT PUMP ROOFCURB INSTALLATION (Full Perimeter)



\*BY CONTRACTOR  
\*\*FOR INSTALLATION OF DUCT AS SHOWN, USE RECOMMENDED DUCT SIZES FROM  
ROOFCURB INSTALLATION INSTRUCTIONS. FOR DUCT FLANGE AT ATTACHMENT TO UNIT,  
SEE UNIT INSTALLATION INSTRUCTIONS FOR RECOMMENDED DUCT SIZES.

[ ] Designates Metric Conversions

## ROOFCURB ADAPTERS

Fabricated from galvanized steel to adapt the New cabinet to the old style curb. All are furnished with a New gasket.

### OLD MODEL PACKAGE HEAT PUMP

**SMALL CABINET**  
(1½-2 TON) [5.28-7.03 kW]  
RPNC-  
RPND-

**MEDIUM CABINET**  
(2½-3 TON) [8.79-10.55 kW]  
RPNC-  
RPND-

**EXTRA LARGE CABINET**  
(3½-5 TON) [12.31-17.58 kW]  
RPNC-  
RPND-

### OLD CURB MODEL



RXPX-BACCA20



RXPX-BACCA21

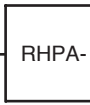


RXPX-BACCA23

### “A” CABINET TO OLD MODEL ROOFCURB ADAPTER

RXPX-BACCA20  
RXPX-BACCA21  
RXPX-BACCA23

### “A” CABINET PACKAGE HEAT PUMP



### “A” CABINET TO “X” CABINET ADAPTER

RXPX-DXCAE

### “X” CABINET PACKAGE HEAT PUMP



[ ] Designates Metric Conversions





**FRIEDRICH**

1 8 8 3

**BEFORE PURCHASING THIS APPLIANCE, READ IMPORTANT ENERGY COST AND EFFICIENCY INFORMATION AVAILABLE FROM YOUR RETAILER.**

**GENERAL TERMS OF LIMITED WARRANTY\***

Friedrich® will furnish a replacement for any part of this product which fails in normal use and service within the applicable period stated, in accordance with the terms of the limited warranty.

**\*For complete details of the Limited and Conditional Warranties, including applicable terms and conditions, contact your local contractor or the Manufacturer for a copy of the product warranty certificate.**

**Conditional Parts (Registration Required)**

1 Phase, Residential Applications ..... Ten (10) Years

**Compressor**

1 Phase, Residential Applications ..... Ten (10) Years

1 & 3 Phase, Commercial Applications ..... Five (5) Years

**Parts**

1 & 3 Phase, Commercial Applications ..... One (1) Year

**Before proceeding with installation, refer to installation instructions packaged with each model, as well as complying with all Federal, State, Provincial, and Local codes, regulations, and practices.**

© 2023 Rheem Manufacturing Company. Friedrich trademarks are owned by Friedrich Air Conditioning LLC.  
Rheem and other trademarks are owned by Rheem Manufacturing Company.

*In keeping with its policy of continuous progress and product improvement, Friedrich reserves the right to make changes without notice.*

5600 Old Greenwood Road  
Fort Smith, Arkansas 72908

125 Edgeware Road, Unit 1  
Brampton, Ontario • L6Y 0P5